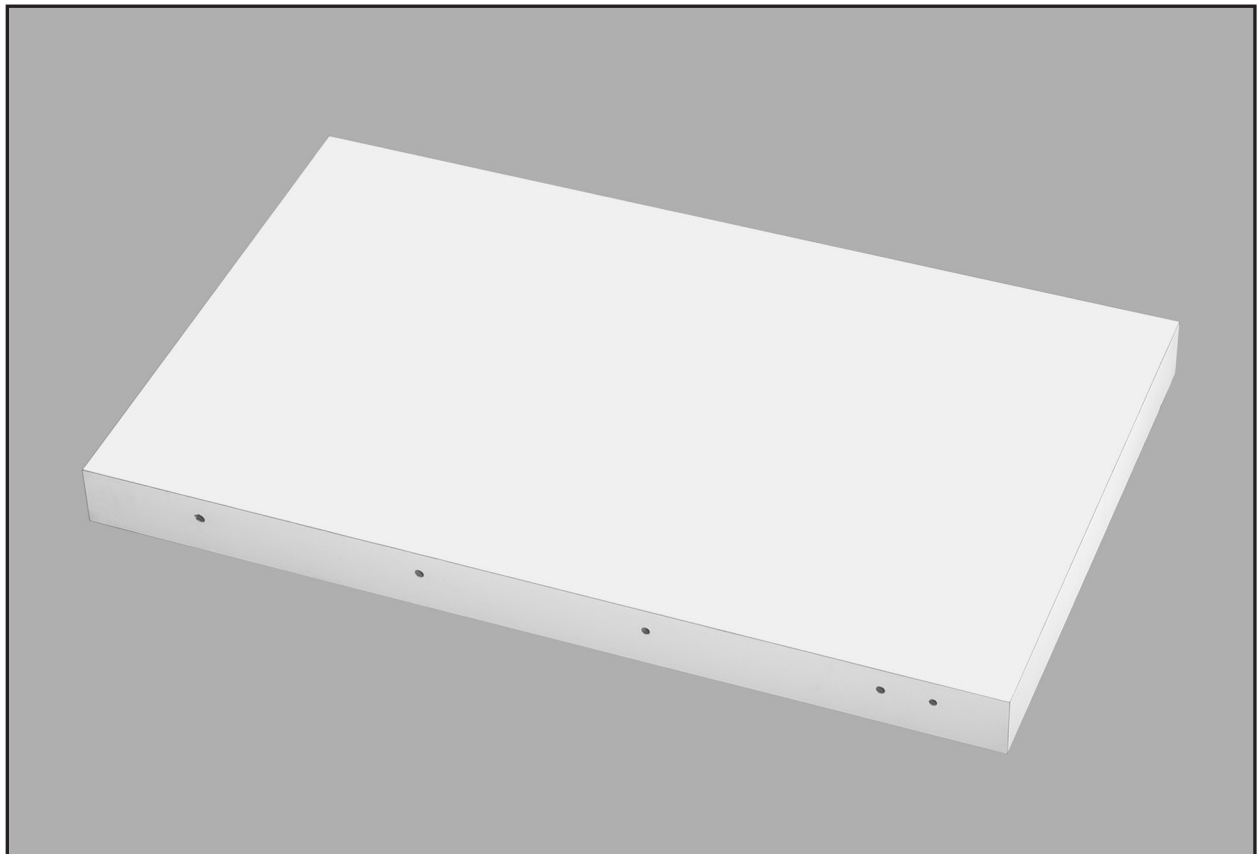




Table Saw Extension Table Kit

ITEM D3108

ASSEMBLY INSTRUCTIONS



COPYRIGHT © NOVEMBER, 2002 BY WOODSTOCK INTERNATIONAL, INC.

P.O. Box 2309, Bellingham, WA 98227

**WARNING: NO PORTION OF THIS MANUAL MAY BE REPRODUCED IN ANY SHAPE
OR FORM WITHOUT THE WRITTEN APPROVAL OF WOODSTOCK INTERNATIONAL, INC.**

PRINTED IN TAIWAN

INTRODUCTION

Thank you for purchasing Woodstock International's Table Saw Extension Table. This table is designed to fit most 27" wide table saw extension kits.

Woodstock is pleased to provide these instructions to assist in the installation process. They represent our effort to offer the finest documentation available. If you feel that there are areas which could be improved, we encourage you to write us with your comments at the following address:

**Technical Documentation
Woodstock International, Inc.
P.O. Box 2309
Bellingham, WA 98227
Tel: (360) 734-3482
Fax: (360) 671-3053**

ASSEMBLY

Step 1. Carefully remove the box contents, and lay them out for identification. You should have:

Extension Table.....	1
Leg	2
Leg Brace	2
Hardware Bag	
-Wood Screw #8 x 5/8"	8
-Self-Tapping Screw 1/4" x 3/4"	2
-Flat Washer 1/4".....	2
-Hex Bolt 3/8"-16 x 1 3/4"	8
-Flat Washer 3/8"	22
-Hex Nut 3/8"-16.....	8
-Hex Bolt 3/8"-16 x 3/4"	2
-Hex Nut 1/2"-12.....	2
-Foot 1/2"-12 unc.....	2

In the event that any hardware is missing, please feel free to contact our customer service department, or for the sake of expediency, you can find these common items at your local hardware store.

Step 2. Mount the extension rail and rail support to the table saw, parallel to the surface of the table before beginning. *Note—the right-hand table saw wing must be removed before you attempt to install the extension table.*

Step 3. Place the extension table upside down.

Step 4. At the corners of one end of the table, position each leg upright 90° to the bottom of the table, and mount the legs with (8) #8 x 5/8" wood screws into the bottom of the table.

Step 5. Secure the braces to the legs with the (2) 3/8"-16 x 3/4" hex bolts and (2) 3/8" flat washers.

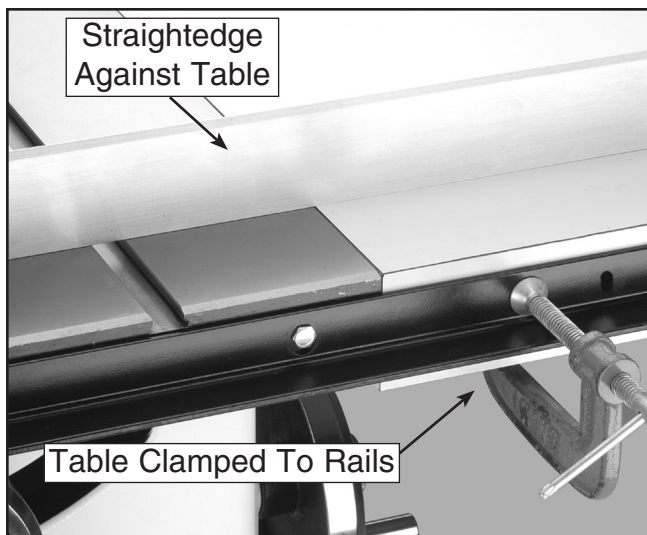
Step 6. Secure the braces to the table with the (2) 1/4" x 3/4" self-tapping screws and (2) 1/4" flat washers.

Step 7. Thread the (2) 1/2"-12 hex nuts onto each 1/2"-12 foot, then thread the feet onto the end of the legs.

Step 8. With a helper, place the extension table (with attached legs) upright between the fence rails, so that the side of the table without legs butts up against the edge of the table saw table.

Step 9. Clamp the extension table to the rails to hold it in position.

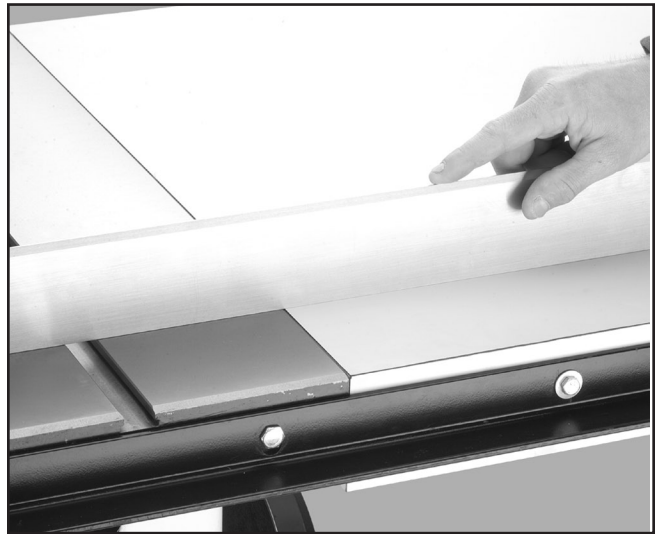
Step 10. Use a straightedge to make sure the extension table is even with the saw table across its entire length.



Step 11. Attach the rails to the table with the (8) $\frac{3}{8}$ "-16 x $1\frac{3}{4}$ " hex bolts, (16) $\frac{3}{8}$ " washers and (8) $\frac{3}{8}$ "-16 nuts. The assembly order should be hex bolt, flat washer, rail, extension table, flat washer, and hex nut. *Note—some assemblies will require $\frac{3}{8}$ " holes drilled through the table to match fence rail holes for mounting.*



Step 12. Use the straightedge to verify that the extension table is flush with the saw table and is even along its entire length. Minor adjustments may be made by adjusting the rail-to-table hex bolts or by rotating the feet. *Note—lock the $\frac{1}{2}$ "-12 hex nuts to keep the feet in place after adjustments are final.*



Step 13. Mount the fence to the rails, and slide the fence back and forth to ensure proper operation.



If you have any questions or need help troubleshooting, please contact Woodstock International Service and Support at 1-360-734-3482 or send e-mail to: tech-support@shopfox.biz.

WARRANTY

Woodstock International, Inc. (Woodstock) warrants this product against defects in workmanship and materials under normal use and service for a period of one year. This warranty extends to the original purchaser from the date of purchase. This warranty does not apply to defects due directly or indirectly to misuse, abuse, negligence, accidents, repairs or alterations or lack of maintenance.

This is Woodstock's sole written warranty and any and all warranties that may be implied by law, including any merchantability or fitness, for any particular purpose, are hereby limited to the duration of this written warranty. We do not warrant or represent that the merchandise complies with the provisions of any law or acts. In no event shall Woodstock's liability under this warranty exceed the purchase price paid for the product and any legal actions brought against Woodstock shall be tried in the State of Washington, County of Whatcom.

We shall in no event be liable for death, injuries to persons or property or for incidental, contingent, special or consequential damages arising from the use of our products.

To take advantage of this warranty, the product or part must be returned to the original place of purchase. Proof of purchase must accompany the merchandise. Woodstock reserves the right to change specifications at any time since we constantly strive to achieve better quality equipment.

We make every effort to ensure that our products meet high quality and durability standards and we hope you never need to use this warranty.

Free Manuals Download Website

<http://myh66.com>

<http://usermanuals.us>

<http://www.somanuals.com>

<http://www.4manuals.cc>

<http://www.manual-lib.com>

<http://www.404manual.com>

<http://www.luxmanual.com>

<http://aubethermostatmanual.com>

Golf course search by state

<http://golfingnear.com>

Email search by domain

<http://emailbydomain.com>

Auto manuals search

<http://auto.somanuals.com>

TV manuals search

<http://tv.somanuals.com>