

# Model D4041 Miter Saw Stand Instruction Sheet



Phone #: (360) 734-3482 • Online Tech Support: tech-support@shopfox.biz • Web: www.shopfox.biz

## Introduction

The Model D4041 Miter Saw Work Stand (Figure 1) features a universal, adjustable T-track mounting system for securing miter saws without modification. Laterally and vertically adjustable ball bearing rollers on each end of the stand support long workpieces. Roller mounts rotate incrementally for fine height adjustment. Folding legs and rubber wheels make this work stand portable.

## Unpacking

This item was carefully packaged for safe transportation. If you notice that it was damaged during shipping, please contact your Shop Fox dealer immediately.



Figure 1. Model D4041.

## WARNING

### TO REDUCE THE RISK OF SERIOUS PERSONAL INJURY WHEN USING THIS ITEM:

- MITER SAW SAFETY.** Follow all safety instructions in the miter saw manual.
- MITER SAW WORK STAND SET UP.** Make sure the leg locking pins are fully snapped into place before mounting the miter saw.
- MITER SAW WORK STAND PLACEMENT.** Only operate the miter saw work stand on a hard, flat, and level surface. DO NOT set up the miter saw work stand on a soft surface, such as sand or mud.
- MITER SAW WORK STAND USAGE.** Only use the miter saw work stand to support a miter saw. This stand is NOT intended for use as a ladder or scaffolding.
- WORKPIECE BALANCE.** Use extra support tables, or get assistance, when working with large workpieces to prevent the stand from tipping over.
- ATTACH MITER SAW SECURELY.** DO NOT operate the miter saw unless it is securely attached to the miter saw work stand.
- LOCK WORK SUPPORTS.** Tighten lock knobs to secure the work supports before using the miter saw work stand.
- EXPERIENCING DIFFICULTIES.** If at any time you are experiencing difficulties performing the intended operation, stop using this stand! Contact Tech Support at (360) 734-3482 for help.

**COPYRIGHT © JULY, 2010 BY WOODSTOCK INTERNATIONAL, INC.**

**WARNING: NO PORTION OF THIS MANUAL MAY BE REPRODUCED IN ANY SHAPE OR FORM WITHOUT THE WRITTEN APPROVAL OF WOODSTOCK INTERNATIONAL, INC.**

#13127TR

Printed in China

## Inventory

In the event that any nonproprietary parts are missing (e.g. a nut or a washer), we would be glad to replace them, or for the sake of expediency, replacements can be obtained at your local hardware store.

Box Contents: (Figure 2)	Qty
A. Stand (not shown) .....	1
B. Roller Assembly .....	2
C. Roller Crossbar .....	2
D. Wheel Brackets .....	4
E. Wheels .....	2

Hardware:	Qty
–Support Braces .....	2
–Hex Bolts M8-1.25 x 45 .....	2
–Hex Bolts M6-1 x 45 .....	12
–Flat Washers 6mm .....	12
–Hex Nuts M6-1 .....	12
–Lock Nuts M8-1.25 .....	2
–Knobs M8-1.25 x 50 .....	4
–Knobs M8-1.25 x 20 .....	2
–Hex Bolts M8-1.25 x 50 .....	4
–Hex Nuts M8-1.25 .....	8
–Flat Washers 8mm .....	6

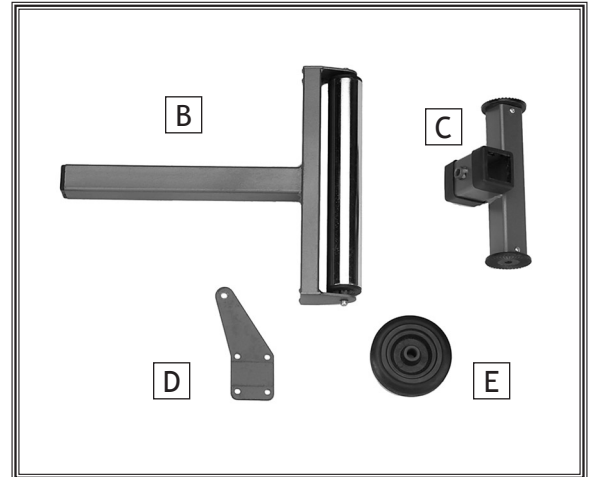


Figure 2. Model D4041 inventory.

## Assembly

1. Lay the work stand upside down and unfold the top set of legs (inset in **Figure 3**). Make sure the locking pins snap into place.
2. Place a wheel bracket on both sides of the wheel and thread (1) M8-1.25 x 45 hex bolt through the assembly (see **Figure 3**), then secure it with (1) 8mm flat washer and (1) M8-1.25 lock nut.
3. Place each wheel bracket assembly over the stand leg, thread (4) M6-1 x 45 hex bolts through each wheel bracket (see **Figure 3**), and secure them with flat washers and hex nuts.
4. Unfold the remaining legs; install the support braces between the legs with the remaining M6-1 x 45 hex bolts, flat washers, and hex nuts.
5. Place the work stand upright, move the bottom of the wheels approximately an 1/8" above the floor and tighten the hex nuts.
6. Place the roller crossbar between the extension arms and secure them with the M8-1.25 x 50 knobs, as shown in **Figure 4**.

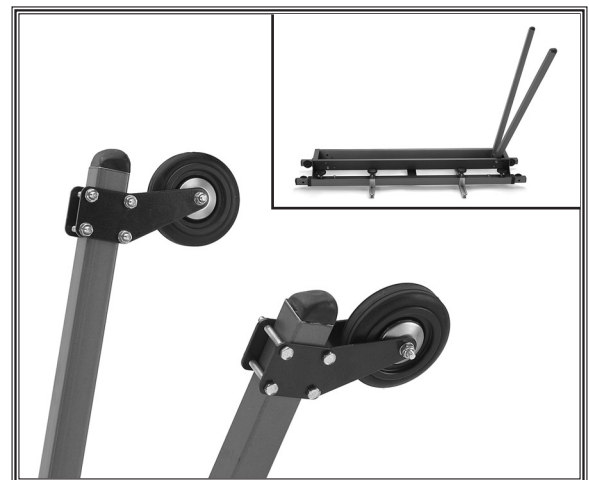


Figure 3. Wheel assembly.

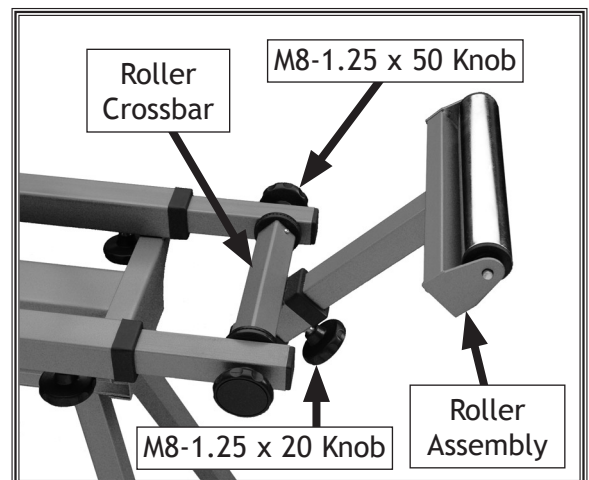
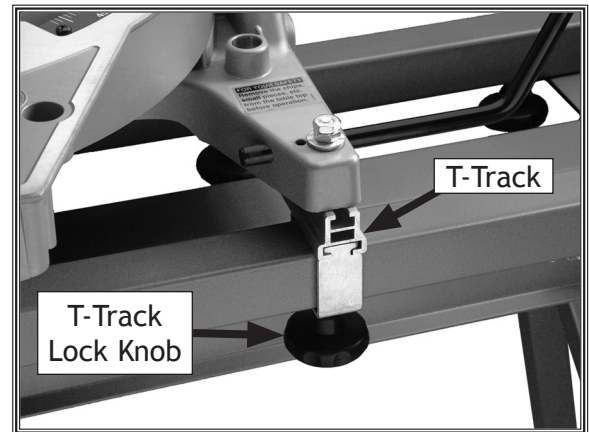


Figure 4. Support roller assembly.

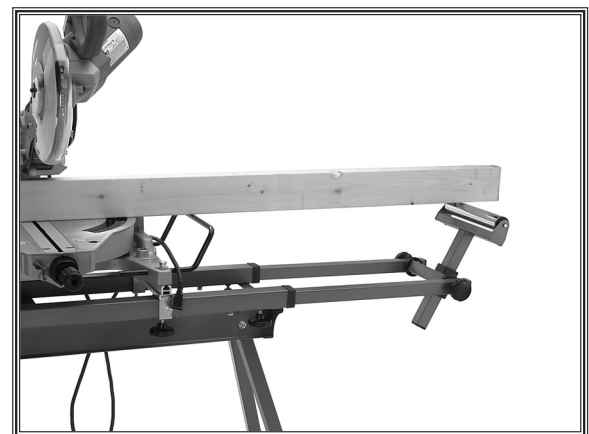
7. Slide the roller assemblies into the crossbars and secure them with the M8-1.25 x 20 knobs (see **Figure 4**).
8. Loosen the T-track lock knobs and adjust the T-tracks to the width of your miter saw, then slide the heads of two M8-1.25 x 50 hex bolts into each T-track.
9. Place the miter saw over the bolts, and secure each location with one washer and two hex nuts (see **Figure 5**); when securing these, tighten the top hex nut against the bottom one so they do not work loose from the vibrations that occur while cutting.



**Figure 5.** Mounting the miter saw.

### Adjusting Work Stand Extension Arms

1. Slide the extension arms out to their maximum reach and place a straight 2x4 across the miter saw table and rollers.
2. Loosen the crossbar knobs and rotate the roller assemblies until the rollers almost touch the 2x4, as shown in **Figure 6**. Then loosen the roller assembly lock knobs, slide the rollers up to touch the 2x4, and re-tighten the lock knobs.



**Figure 6.** Adjusting the support rollers.

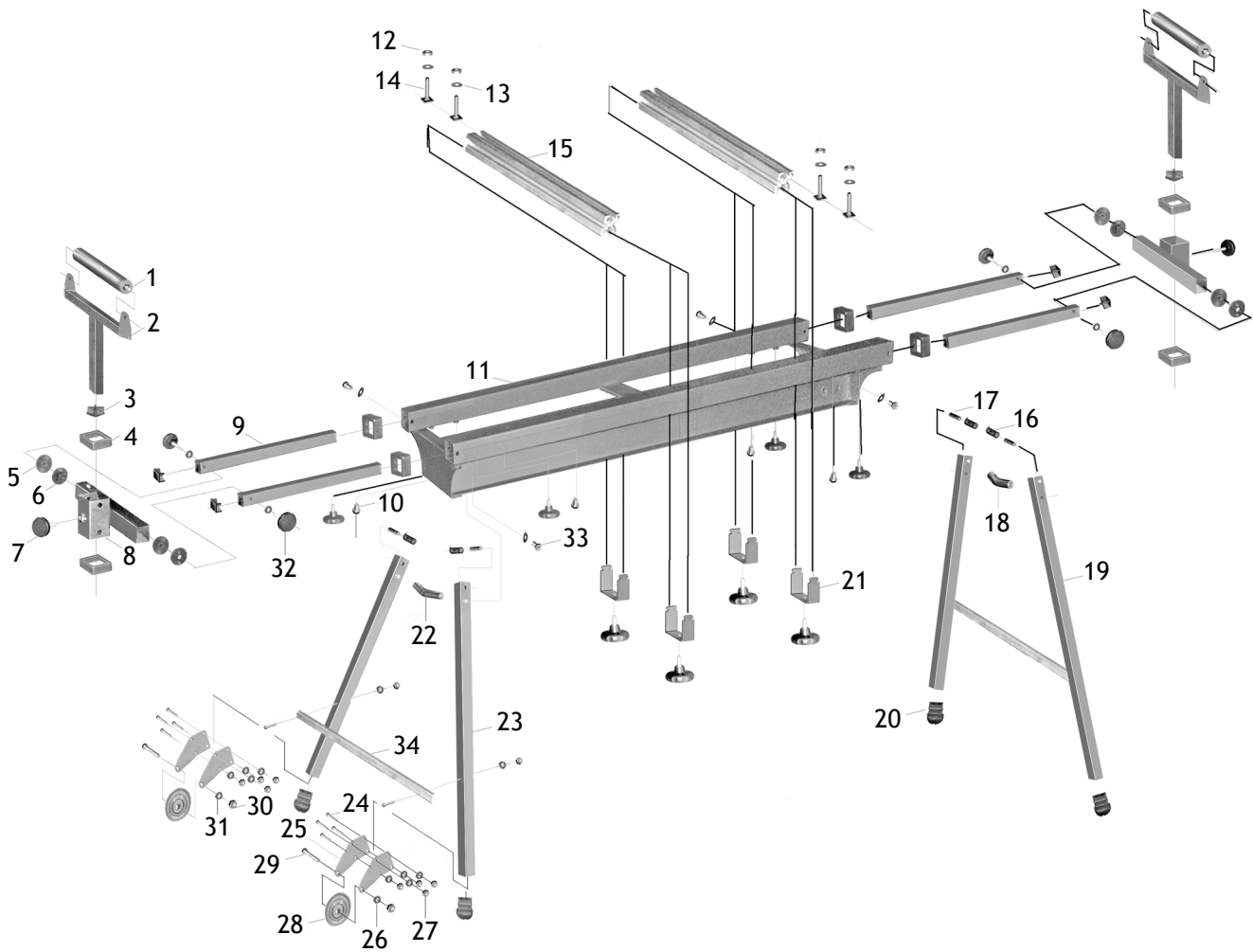
### Folding Miter Saw Stand for Storage

1. Remove the support braces, retract the extension arms and rotate the support rollers flat.
2. Push in the locking pins shown in **Figure 7** and fold the legs up into the stand.



**Figure 7.** Folding the miter saw stand.

# D4041 Parts



REF	PART #	DESCRIPTION
1	XD4041001	ROLLER
2	XD4041002	SUPPORT
3	XD4041003	END PLUG
4	XD4041004	BUSHING
5	XD4041005	OUTSIDE GEAR
6	XD4041006	INSIDE GEAR
7	XD4041007	LOCK KNOB M8-1.25 X 20
8	XD4041008	ROLLER CROSSBAR
9	XD4041009	EXTENSION ARMS
10	XPB06M	HEX BOLT M8-1.25 X 12
11	XD4041011	STAND
12	XPN03M	HEX NUT M8-1.25
13	XPWF08M	FENDER WASHER 8MM
14	XPB166M	HEX BOLT M8-1.25 X 50
15	XD4041015	T-TRACK
16	XD4041016	COMPRESSION SPRING
17	XD4041017	PIN

REF	PART #	DESCRIPTION
18	XD4041018	SMALL AXLE
19	XD4041019	RIGHT LEG
20	XD4041020	FOOT
21	XD4041021	T-TRACK LOCKING PLATE
22	XD4041022	BIG AXLE
23	XD4041023	LEFT LEG
24	XPB71M	HEX BOLT M6-1 X 45
25	XD4041025	WHEEL BRACKET
26	XPW03M	FLAT WASHER 6MM
27	XPN01M	HEX NUT M6-1
28	XD4041028	WHEEL
29	XPB118M	HEX BOLT M8-1.25 X 45
30	XLPLN04M	LOCK NUT M8-1.25
31	XPW01M	FLAT WASHER 8MM
32	XD4041032	LOCK KNOB M8-1.25 X 50
33	XPB03M	HEX BOLT M8-1.25 X 16
34	XD4041034	SUPPORT BRACE

## Free Manuals Download Website

<http://myh66.com>

<http://usermanuals.us>

<http://www.somanuals.com>

<http://www.4manuals.cc>

<http://www.manual-lib.com>

<http://www.404manual.com>

<http://www.luxmanual.com>

<http://aubethermostatmanual.com>

Golf course search by state

<http://golfingnear.com>

Email search by domain

<http://emailbydomain.com>

Auto manuals search

<http://auto.somanuals.com>

TV manuals search

<http://tv.somanuals.com>