



MODEL W1703/W1714 10" TABLE SAW



INSTRUCTION MANUAL

Phone: 1-360-734-3482 • On-Line Technical Support: tech-support@shopfox.biz

COPYRIGHT © OCTOBER, 2003 BY WOODSTOCK INTERNATIONAL, INC. REVISED JUNE, 2004.

WARNING: NO PORTION OF THIS MANUAL MAY BE REPRODUCED IN ANY SHAPE OR FORM WITHOUT

THE WRITTEN APPROVAL OF WOODSTOCK INTERNATIONAL, INC.

Printed in Taiwan

WARNING

Some dust created by power sanding, sawing, grinding, drilling, and other construction activities contains chemicals known to the State of California to cause cancer, birth defects or other reproductive harm. Some examples of these chemicals are:

- Lead from lead-based paints.
- Crystalline silica from bricks, cement, and other masonry products.
- Arsenic and chromium from chemically treated lumber.

Your risk from these exposures varies, depending on how often you do this type of work. To reduce your exposure to these chemicals: work in a well ventilated area, and work with approved safety equipment, such as those dust masks that are specially designed to filter out microscopic particles.

Table of Contents

- Introduction** 5
 - About Your New 10" Contractor Saw 5
 - Warranty and Returns 6
 - Specifications 6
- SAFETY** 7
 - Standard Safety Instructions 7
 - Knowing Your Machine 9
 - Additional Safety Instructions for Table Saws 10
 - Avoiding Potential Injuries 11
 - Kickback 12
 - Common Terms 13
 - Electrical 14
 - Introduction 14
 - W1703 14
 - W1714 14
 - Circuit Breakers 15
 - Extension Cords 15
 - Grounding 15
- ASSEMBLY** 16
 - Unpacking 16
 - Inventory 16
 - Parts Inventory 17
 - Hardware Bags 19
 - Cleaning Machine 20
 - Shop Preparation 20
 - Stand 21
 - Dust Hood 23
 - Handwheels 23
 - Blade Check 23
 - Motor 24
 - V-Belt 25
 - Pulley Cover 25
 - Extension Wings 26
 - Fence 28
 - Blade Guard/Splitter 30
 - Power Switches 31
 - Table Inserts 32
- ADJUSTMENTS** 33
 - Blade 33
 - Blade Parallelism 34
 - Fence Parallelism 36
 - Splitter 37
 - 45° Positive Stop 38
 - 90° Positive Stop 39
 - Angle Pointer 40
 - Miter Gauge 40
 - Worm Gear 41
 - Test Run 42

USE THE QUICK GUIDE PAGE LABELS TO SEARCH OUT INFORMATION FAST!





OPERATIONS	43
Blade Selection	43
Tooth Configuration	45
Blade Height	45
Feed Rate	45
Crosscutting	46
Ripping	47
Cutting Miters	48
Blade Tilt/Bevel Cuts	48
Dado Cuts	49
Rabbet Cuts	49
Aftermarket Safety Accessories	50
Shop-Made Safety Accessories	51
MAINTENANCE	52
General	52
Cleaning	52
Table & Base	52
Lubrication	52
Service Log	53
Wiring Diagram	54
Parts	56

Introduction

About Your New 10" Contractor Saw

This new **SHOP FOX**® 10" Table Saw has been specially designed to provide many years of trouble free service. Close attention to detail, ruggedly built parts and a rigid quality control program assure safe and reliable operation.

The differences between the two models are the motor, magnetic switches, and the extension wing options. The **SHOP FOX**® Model W1703 features a 1½ HP motor, pre-wired for 110 volts, and heavy-duty metal extension wings. The Model W1714 features a 2 HP motor, pre-wired for 220 volts, and precision-ground cast iron extension wings.

Woodstock International, Inc. is committed to customer satisfaction in providing this manual. It is our intent to make sure all the information necessary for safety, ease of assembly, practical use and durability of this product be included.

If you need the latest edition of this manual, you can download it from <http://www.shopfox.biz>.
If you still have questions after reading the latest manual, or if you have comments please contact us at:

Woodstock International, Inc.
Attn: Technical Support Department
P.O. Box 2309
Bellingham, WA 98227

Woodstock Service and Support

We stand behind our machines! In the event that a defect is found, parts are missing or questions arise about your machine, please contact Woodstock International Service and Support at 1-360-734-3482 or send e-mail to: tech-support@shopfox.biz. Our knowledgeable staff will help you troubleshoot problems, order parts or arrange warranty returns.



Warranty and Returns

Woodstock International, Inc. warrants all **SHOP FOX**® machinery to be free of defects from workmanship and materials for a period of 2 years from the date of original purchase by the original owner. This warranty does not apply to defects due directly or indirectly to misuse, abuse, negligence or accidents, lack of maintenance, or to repairs or alterations made or specifically authorized by anyone other than Woodstock International, Inc.

Woodstock International, Inc. will repair or replace, at its expense and at its option, the **SHOP FOX**® machine or machine part which in normal use has proven to be defective, provided that the original owner returns the product prepaid to the **SHOP FOX**® factory service center or authorized repair facility designated by our Bellingham, WA office, with proof of their purchase of the product within 2 years, and provides Woodstock International, Inc. reasonable opportunity to verify the alleged defect through inspection. If it is determined there is no defect, or that the defect resulted from causes not within the scope of Woodstock International Inc.'s warranty, then the original owner must bear the cost of storing and returning the product.

This is Woodstock International, Inc.'s sole written warranty and any and all warranties that may be implied by law, including any merchantability or fitness, for any particular purpose, are hereby limited to the duration of this written warranty. We do not warrant that **SHOP FOX**® machinery complies with the provisions of any law or acts. In no event shall Woodstock International, Inc.'s liability under this warranty exceed the purchase price paid for the product, and any legal actions brought against Woodstock International, Inc. shall be tried in the State of Washington, County of Whatcom. We shall in no event be liable for death, injuries to persons or property or for incidental, contingent, special or consequential damages arising from the use of our products.

Every effort has been made to ensure that all **SHOP FOX**® machinery meets high quality and durability standards. We reserve the right to change specifications at any time because of our commitment to continuously improve the quality of our products.

Specifications

W1703 Motor	1½ HP, 18/9A, 110/220V, Single-phase
W1714 Motor	2 HP, 24/12A, 110/220V, Single-phase
W1703 Magnet Switch	1½ HP, 18A, 110V
W1714 Magnet Switch	2 HP, 12A, 220V
Push-Button Start Switch/w Emergency Stop.....	110/220V
Max.Width of Cut (right of blade)	28½"
Max.Width of Dado Cut.....	13/16"
Maximum Depth of Cut @ 0°	3 1/8"
Max. Depth of Cut @ 45°	2 1/8"
Table Size	27" D x 20 1/4" W
Table Height	35"
Arbor Size.....	5/8" shaft 2 1/2" flange
Arbor Speed	4,250 RPM
Blade Size	10"
Base Dimension	21" W x 24 1/2" D
Weight W1703 (saw + fence)	266 lbs.
Weight W1714 (saw + fence)	292 lbs.

SAFETY

**READ MANUAL BEFORE OPERATING MACHINE.
FAILURE TO FOLLOW INSTRUCTIONS BELOW WILL
RESULT IN PERSONAL INJURY.**



Indicates an imminently hazardous situation which, if not avoided, **WILL** result in death or serious injury.



Indicates a potentially hazardous situation which, if not avoided, **COULD** result in death or serious injury.



Indicates a potentially hazardous situation which, if not avoided, **MAY** result in minor or moderate injury.

NOTICE

This symbol is used to alert the user to useful information about proper operation of the equipment, and/or a situation that may cause damage to the machinery.

Standard Safety Instructions

1. **Thoroughly read the Instruction Manual before operating your machine.** Learn the applications, limitations and potential hazards of this machine. Keep the manual in a safe and convenient place for future reference.
2. **Keep work area clean and well lighted.** Clutter and inadequate lighting invite potential hazards.
3. **Ground all tools.** If a machine is equipped with a three-prong plug, it must be plugged into a three-hole grounded electrical receptacle or grounded extension cord. If using an adapter to aid in accommodating a two-hole receptacle, ground using a screw to a known ground.
4. **Wear eye protection at all times.** Use safety glasses with side shields or safety goggles that meet the appropriate standards of the American National Standards Institute (ANSI).
5. **Avoid dangerous environments.** Do not operate this machine in wet or open flame environments. Airborne dust particles could cause an explosion and severe fire hazard.
6. **Ensure all guards are securely in place and in working condition.**
7. **Make sure switch is in the OFF position** before connecting power to machine.
8. **Keep work area clean, free of clutter, grease, etc.**
9. **Keep children and visitors away.** Visitors must be kept at a safe distance while operating unit.
10. **Childproof your workshop** with padlocks, master switches or by removing starter keys.
11. **Stop and disconnect the machine when cleaning, adjusting or servicing.**




12. **Do not force tool.** The machine will do a safer and better job at the rate for which it was designed.
13. **Use correct tool.** Do not force machine or attachment to do a job for which it was not designed.
14. **Wear proper apparel.** Do not wear loose clothing, neck ties, gloves, jewelry, keep long hair tied up, etc.
15. **Remove adjusting keys and wrenches.** Before turning the machine on, make it a habit to check that all adjusting keys and wrenches have been removed.
16. **Use proper extension cord.** Examine the extension cord to ensure it is in good condition. Use the chart below to determine the correct length and gauge of extension cord needed for your particular needs. The amp rating of the motor can be found on its nameplate. If the motor is dual voltage, be sure to use the amp rating for the voltage you will be using. If you use an extension cord with an undersized gauge or one that is too long, excessive heat will be generated within the circuit increasing the chance of a fire or damage to the circuit. Never use an extension cord that does not have a ground pin and connected ground wire. Immediately replace an extension cord if it shows any signs of damage.
17. **Keep proper footing and balance** at all times.
18. **Do not leave machine unattended.** Wait until it comes to a complete stop before leaving the area.
19. **Perform machine maintenance and care.** Follow lubrication and accessory attachment instructions in the manual.
20. **Keep machine away from open flame.** Operating machines near pilot lights and/or open flames creates a high risk if dust is dispersed in the area. Dust particles and an ignition source may cause an explosion. Do not operate the machine in high-risk areas, including but not limited to, those mentioned above.
21. **If at any time you are experiencing difficulties** performing the intended operation, stop using the machine! Then contact our service department or ask a qualified expert how the operation should be performed.
22. **Habits—good and bad—are hard to break.** Develop good habits in your shop and safety will become second-nature to you.

TABLE 1.
Extension Cord Requirements

Amp Rating	Length And Gauge		
	25ft	50ft	100ft
0-6	#16	#16	#16
7-10	#16	#16	#14
11-12	#16	#16	#14
13-16	#14	#12	#12
17-20	#12	#12	#10
21-30	#10	#10	No

⚠ WARNING

Always wear safety glasses or goggles when operating equipment. Operating this equipment creates the potential for flying debris that can cause eye injury. Everyday glasses or reading glasses only have impact resistant lenses, they are not safety glasses. Be certain the safety glasses you wear meet the appropriate standards of the American National Standards Institute (ANSI).

Knowing Your Machine

An important part of safety is knowing your machine and its components. Take the time to familiarize yourself with the controls of your new **SHOP FOX®** Model W1703/W1714 Table Saw and the **SHOP FOX®** Model W1716 Aluma-Classic™ Fence. They will be frequently mentioned throughout the instructions in this manual.

SAFETY

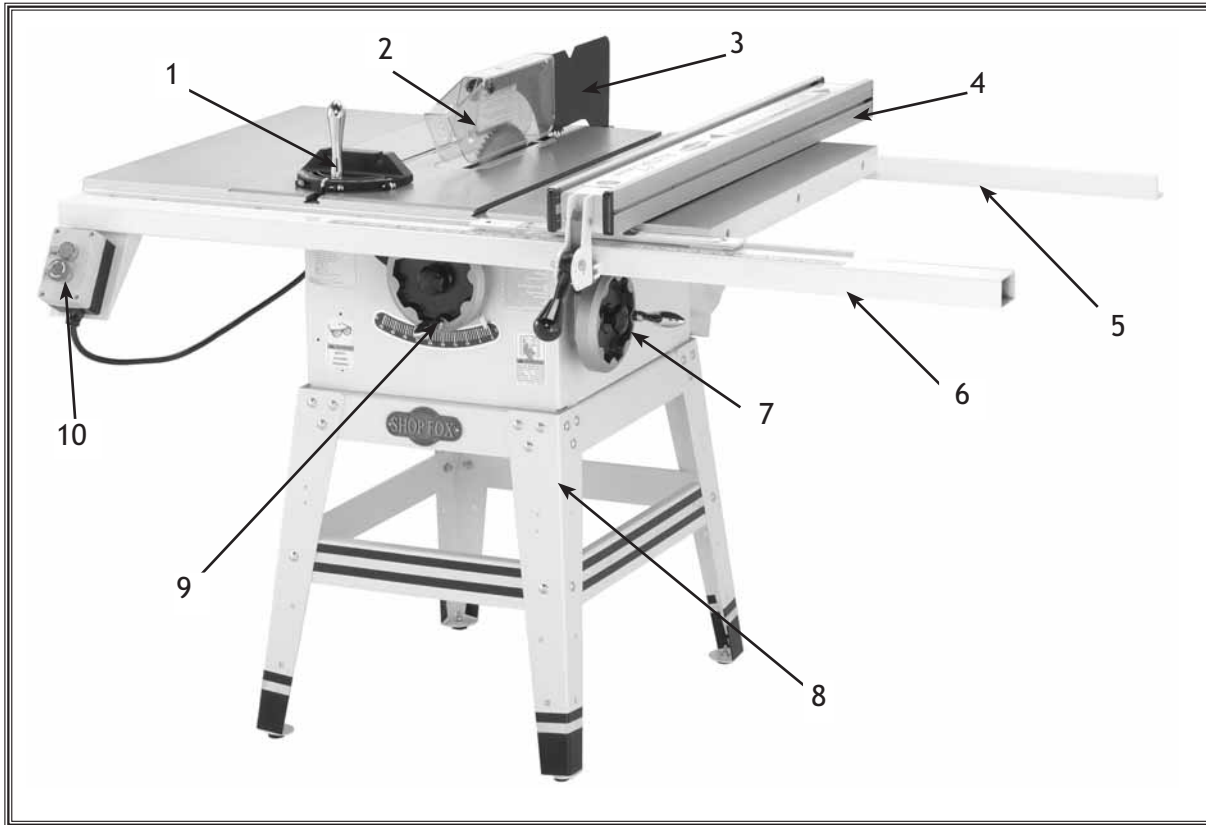


Figure 1a. Table saw features.

The following is a list of the table saw features and fence components shown in **Figure 1a** and **Figure 1b**.

1. Miter Gauge
2. Blade Guard
3. Splitter
4. Rip Fence
5. Back Rail
6. Front Rail With Scale
7. Blade Tilt Handwheel
8. Table Saw Stand
9. Blade Height Handwheel
10. START/STOP Push Button Switch

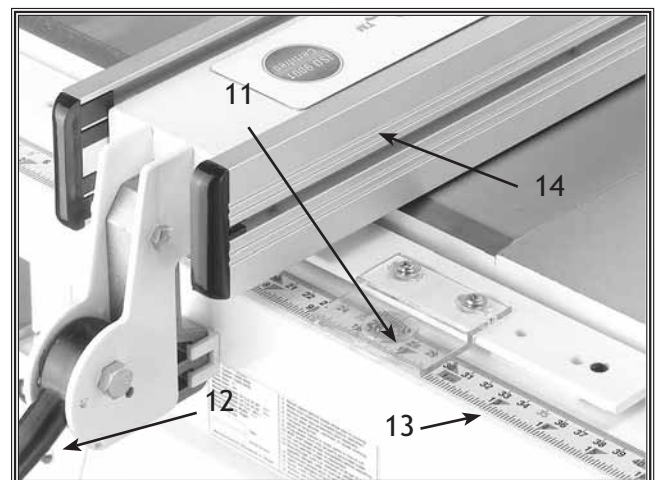



Figure 1b. Fence controls.

Additional Safety Instructions for Table Saws

SAFETY



!WARNING
 READ and understand this entire instruction manual before using this machine. Serious personal injury may occur if safety and operational information is not understood and followed. **DO NOT** risk your safety by not reading!

!CAUTION
 USE this and other machinery with caution and respect. Always consider safety first, as it applies to your individual working conditions. No list of safety guidelines can be complete—every shop environment is different. Failure to follow guidelines could result in serious personal injury, damage to equipment or poor work results.

1. **ALWAYS** use guard, splitter and anti-kickback pawls on all "through-sawing" operations. Through-sawing operations are those when the blade cuts completely through the workpiece as in ripping or crosscutting.
2. **ALWAYS** hold the work firmly against the miter gauge or the fence when cutting.
3. **ALWAYS** use a push-stick for ripping narrow stock.
4. **NEVER** perform any operation "free-hand" which means using only your hands to support or guide the workpiece. Always use either the fence or the miter gauge to position and guide the work.
5. **NEVER** stand or have any part of your body in line with the path of the saw blade.
6. **NEVER** reach behind or over the blade with either hand for any reason.
7. **ALWAYS** move the rip fence out of the way when crosscutting with the miter gauge.
8. **NEVER** use the fence as a cut-off gauge when crosscutting with the miter gauge.
9. **NEVER** attempt to free a stalled saw blade without first turning the saw *OFF*.
10. **ALWAYS** support the rear and sides of the saw table for wide or long workpieces.
11. **AVOID KICKBACKS.** A condition in which a piece of wood is thrown back towards an operator at a high rate of speed. Usually is caused by the stock becoming trapped between the stationary face of the rip fence and the rotating side of the saw blade. Do not operate the machine until you know what a kickback is and how to avoid it.
12. **AVOID** awkward operations and hand positions where a sudden slip could cause your hand to move into the blade and always lock the mobile base in position before using the saw.
13. **NEVER** cut warped stock or stock that may contain loose knots, nails or any other defects. These conditions may cause kickback.

Avoiding Potential Injuries



Figure 2. ALWAYS support your workpiece during a cut.



Figure 3. NEVER not freehand cut on a table saw.

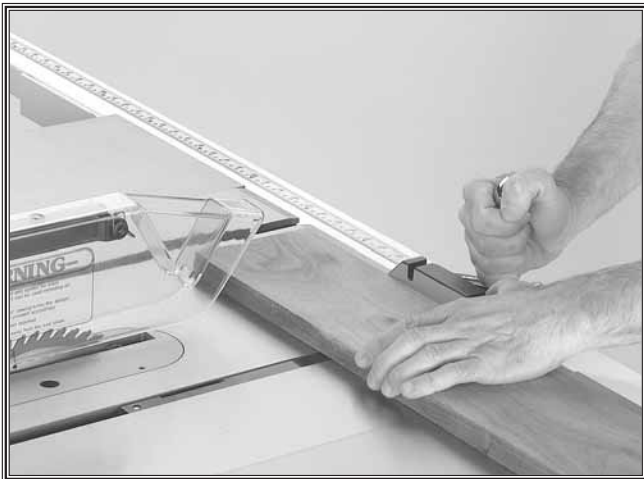


Figure 4. ALWAYS crosscut using the miter gauge only.



Figure 5. NEVER crosscut using the miter gauge with the fence.



Figure 6. USE featherboards when possible to protect against kickback.



Figure 7. NEVER stand directly behind blade when making a cut.

Kickback

Kickback occurs when the blade launches the workpiece toward the front of the saw. This happens so quickly the operator rarely has time to respond. He or she can be killed, severely hurt or have his/her hand forced into the moving blade. Kickback is one of the most serious dangers that can occur with a table saw. In order to protect yourself from kickback, it is essential to educate yourself about why and how it happens. Below is a list of ways to protect yourself from kickback.

SAFETY

- **Do not stand directly behind the workpiece.** Should a kickback occur, the workpiece may be launched at a high rate of speed in the direction from which it came. If you are standing behind the workpiece, it will hit you. Instead, stand off to the side in a location where you are still able to maintain total control.
- **Do not use the rip fence as a guide when crosscutting with the miter gauge.** The workpiece may pinch the blade, causing kickback. Use the miter gauge and the rip fence by themselves—never together.
- **Only use sharp, clean blades.** Sharp blades will cut the material easier, reducing the chance that the blade will get jammed up while cutting the workpiece. Always replace or sharpen your dull blades. Blades covered in resin are just as likely to cause kickback as a dull blade.
- **Never freehand a cut with the table saw.** The small twists or turns that are inherent with freehand cuts will cause kickback.
- **Keep your table saw clean.** Buildup of wood chips or dust, or any other objects that may obstruct an otherwise smooth cut, has the potential to cause kickback.
- **Cutting warped stock or stock with loose knots, nails, or other defects will cause kickback.**
- **Always lock the mobile base in position when cutting stock.** The saw could move and you could lose control of your workpiece which may cause kickback.
- **Do not reach behind the blade to pull the workpiece through the cut.** In the event of a kickback, your hand may be pulled into the moving blade.
- **Use push sticks or push paddles whenever possible.** Using one or two push sticks when ripping can decrease operator injury in the event of kickback. Push sticks and push paddles create a barrier between your hands and the workpiece.
- **Be aware that small cutoff pieces are easily kickbacked if loose near the blade.** Use a zero-clearance table insert whenever possible.
- **Always use the blade guard/splitter when making through-cuts.** The blade splitter has anti-kickback pawls that dig into the workpiece in the event of a kickback. Removing the guard/splitter greatly increases the risk of danger from kickback.
- **Always feed material into the blade at the proper feed rate.** Feeding material into the blade too fast may cause a kickback. Listen to the blade and the motor during a cut. If either one is struggling, decrease the feed rate.
- **Consider aftermarket or shop-made accessories to increase your level of safety.** Many of these items are designed to stop the board during a kickback or reduce the chance of kickback by stabilizing the board during a cut.

Common Terms

In order to increase user safety awareness and understanding, we have provided a list of common terms associated with table saws. We will refer to many of these terms throughout this manual, so the time you spend learning these terms will result in an increased knowledge of table saw applications.

Arbor

The shaft underneath the table on which the blade mounts.

Bevel

An angled cut on the edge of a board that reaches both faces of the board.

Crosscut

To cut across the grain of a piece of stock.

Dado

A slot cut partially through the thickness of the stock either with or against the grain.

Feed Rate

The speed at which the stock is pushed into the moving blade.

Flush

A condition when two or more surfaces are perfectly flat and parallel to each other, so that their touching edges have an even surface.

Kerf

The width of the material that a blade removes from the workpiece.

Kickback

The event in which the stock is ejected from the blade at a high rate of speed toward the operator. Usually caused by binding the blade or by a blade condition that forces the momentum of the blade to push the stock away.

Out-feed Side

The opposite side of the table that the workpiece is fed into the blade. Usually supplemented with an aftermarket or shop-made table to catch a freshly cut workpiece.

Non Through-Cut

A cut that does not pass through the top of the workpiece—i.e. a dado or rabbet cut. This type of cut is more dangerous than a through cut because it requires the operator to remove the blade guard/splitter assembly.

Miter Cut

An angled cut across the face or end of a board. Usually cut to match another board of a corresponding angle so that each cut piece fits perfectly into the other, thus changing the direction of the workpiece.

Positive Stop

A bolt or pin that can be adjusted to stop a moving part at a predetermined location. This table saw has positive stops for tilting the blade.

Rabbet

An L-shaped cut along the edge of a workpiece.

Rip Cut

To cut along the grain of stock.

Straightedge

An object with a perfectly straight edge that is used to compare against another object to determine whether it is straight.

Through-Cut

A cut that passes completely through the top of the workpiece—i.e. a rip cut or crosscut.

Workpiece

The piece of wood or stock that is being cut or manipulated by the operator.

Electrical

Introduction

The SHOP FOX® Model W1703/W1714 Table Saws can be wired for 110V or 220V operation using an optional magnetic switch assembly. The following safety guidelines outline the proper voltage and hardware requirements for each saw.

W1703

The W1703 1½ HP motor will draw the following amps, depending on which voltage it is wired for:

110V (Pre-wired)	18 Amp
220V	9 Amp

The W1703 is pre-wired for 110V and comes with a 5-15 plug as shown in **Figure 8**. To convert to 220V operation, unplug the saw and install the following items:

1. Install the optional 220V magnetic switch (Part # X1703117A).
2. Install a NEMA 6-15 plug and receptacle (see **Figure 9a**).
3. Rewire the motor as outlined on **Page 53**.

W1714

The W1714 2 HP motor will draw the following amps, depending on which voltage it is wired for:

110V	24 Amp
220V (Pre-wired)	12 Amp

The W1714 is pre-wired for 220V operation. If you intend to operate the saw at 220V, you will need to install a NEMA 6-15 plug and receptacle shown in **Figure 9a**. To convert to 110V operation, unplug the saw and install the following items:

1. Install the optional 110V magnetic switch (Part # X1714173A).
2. Install a NEMA 5-30 plug and receptacle (see **Figure 9b**).
3. Rewire the motor as outlined on **Page 53**.

⚠️ WARNING

These magnetic switches are not interchangeable between 110V and 220V. Using the incorrect switch may cause electrical shock, fire, or ruin the electrical equipment. Before rewiring your motor for an alternate voltage, you must replace the magnetic switch assembly to accommodate for the new voltage.

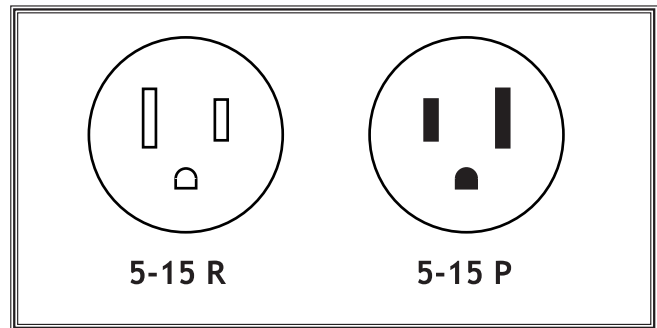


Figure 8. NEMA 5-15 plug and receptacle.

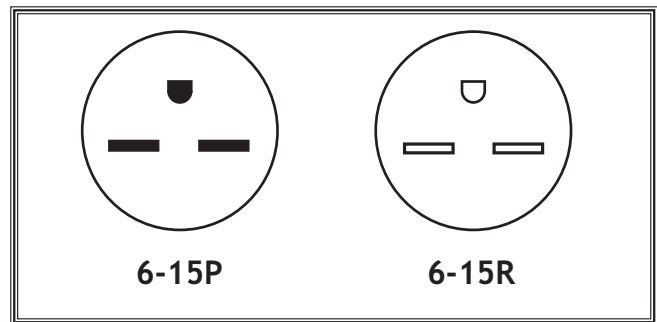


Figure 9a. NEMA 6-15 plug and receptacle.

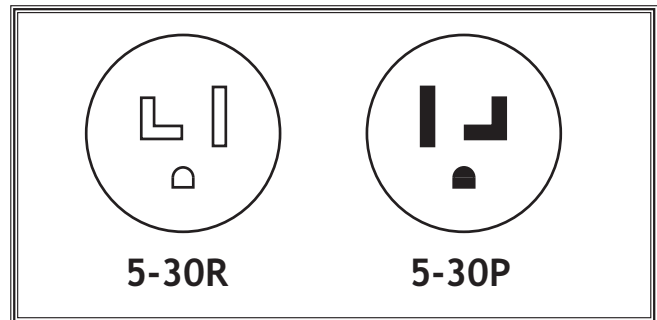


Figure 9b. NEMA 5-30 plug and receptacle.

SAFETY

Circuit Breakers

When choosing an outlet, make sure the circuit breakers meet the following criteria:

Circuit Breakers for W1703:

110V 20 Amp, Single Pole
 220V 15 Amp, 2 Pole

Circuit Breakers for W1714:

110V 30 Amp, Single Pole
 220V 15 Amp, 2 Pole

Keep in mind that a circuit being used by other machines or tools at the same time will add to the total load being applied to the circuit. Add up the load ratings of all machines on the circuit. If this number exceeds the rating of the circuit breaker, fuse, or wires—use a different circuit.


Extension Cords

When using an extension cord, follow the guidelines during 110V operation only. We do not recommend using an extension cord with 220V equipment.

- Use cords rated for Standard Service
- Never use cords longer than 100 feet
- Use cords with 14 gauge wire
- Always use cords with a grounding pin
- Never use damaged cords

Grounding

This machine must be grounded! If your outlet does not accommodate a ground pin, have the outlet replaced by a qualified electrician or have an appropriate adapter installed and grounded properly. An adapter with a grounding wire does not guarantee that the machine will be grounded. A ground source must be verified!



! WARNING
 DO NOT remove the grounding pin from any plug and always make sure all wiring to the machine is grounded before operating. Any electrical outlet and circuit that you plug your machine into must be grounded. Serious injury may occur if this warning is ignored!

! CAUTION
 DO NOT replace the circuit breaker with one rated at a higher amperage or damage to the circuit may occur and a fire may result.

SAFETY

ASSEMBLY


Unpacking

The SHOP FOX® W1703/W1714 has been carefully packaged for safe transporting. If you notice the machine has been damaged, please contact Woodstock International Service and Support at 1-360-734-3482 or send e-mail to: tech-support@shopfox.biz

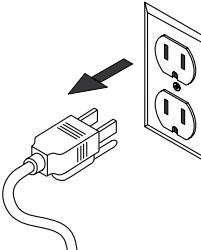
Inventory

The following is a description of the main components shipped with the SHOP FOX® Model W1703/W1714 Table Saw. You should lay the components out to easily identify them.

Should any part be missing, examine the packaging carefully to be sure those parts are not among the packing materials. If any parts are missing, find the part number in the back of this manual and contact Woodstock International, Inc. at 360-734-3482 or at tech-support@shopfox.biz

	! WARNING READ and understand this entire instruction manual before using this machine. Serious personal injury may occur if safety and operational information is not understood and followed. DO NOT risk your safety by not reading!
--	---

	! WARNING SEEK assistance when lifting the machine from the box it was shipped in. The SHOP FOX® Model W1714/W1703 is a heavy machine.
--	--

	! WARNING UNPLUG-power cord before you do any assembly or adjustment tasks! Otherwise, serious personal injury to you or others may occur!
--	--

ASSEMBLY

Parts Inventory

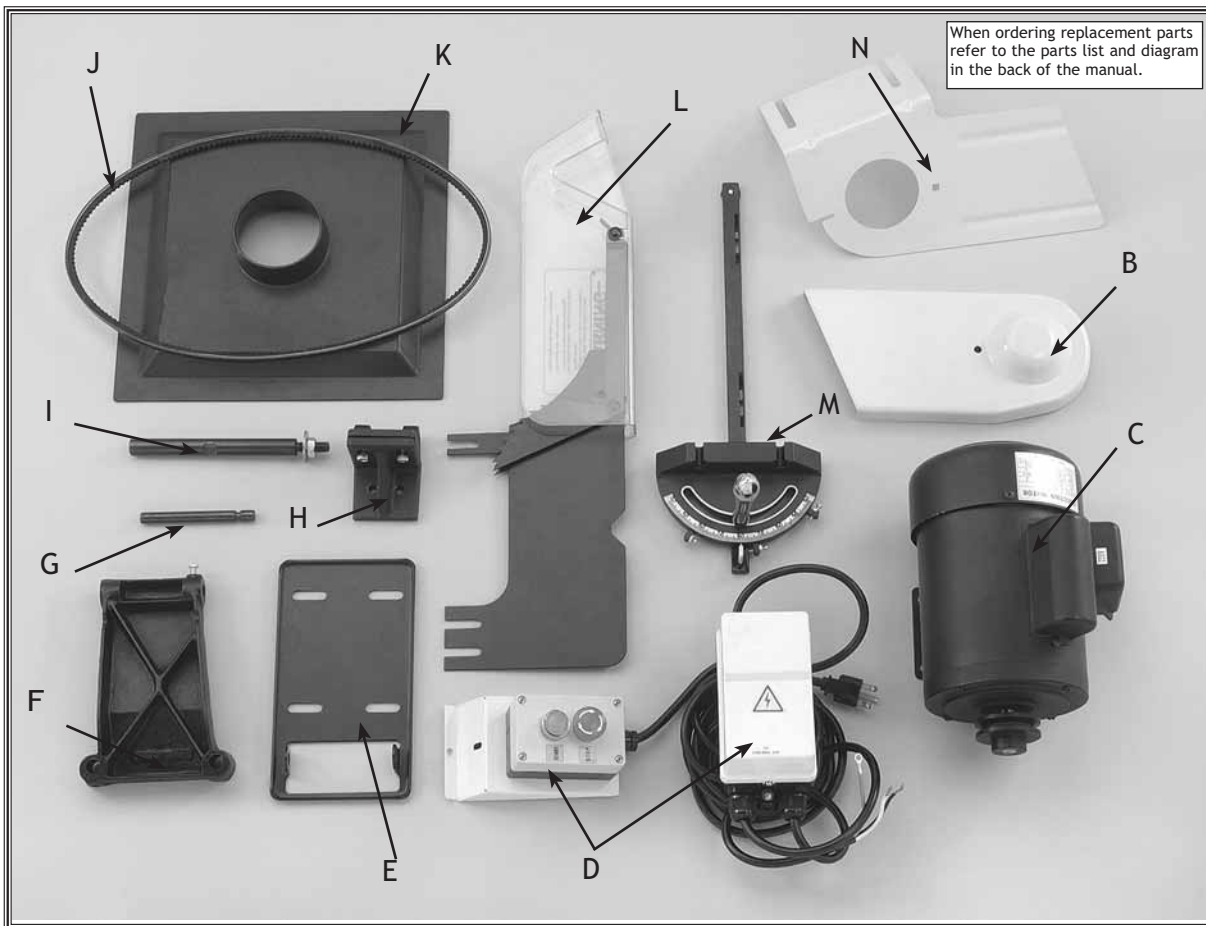


Figure 10. Inventory.

INVENTORY DESCRIPTION	QTY
A. Table Saw Unit (Not Shown)	1
B. V-Belt Guard	1
C. Motor	1
D. Power and W1703 Magnetic Switch 110V, 18 Amp.	1
D. Power and W1714 Magnetic Switch 220V, 24 Amp.	1
E. Motor Plate	1
F. Motor Bracket	1
G. Motor Pivot Shaft	1
H. Blade Guard Bracket Assembly	1
I. Blade Guard Shaft Assembly	1
J. V-Belt	1
K. Dust Hood	1
L. Blade Guard/Splitter Assembly	1
M. Miter Gauge Assembly	1
N. V-Belt Plate	1

Parts Inventory

When ordering replacement parts refer to the parts list and diagram in the back of the manual.

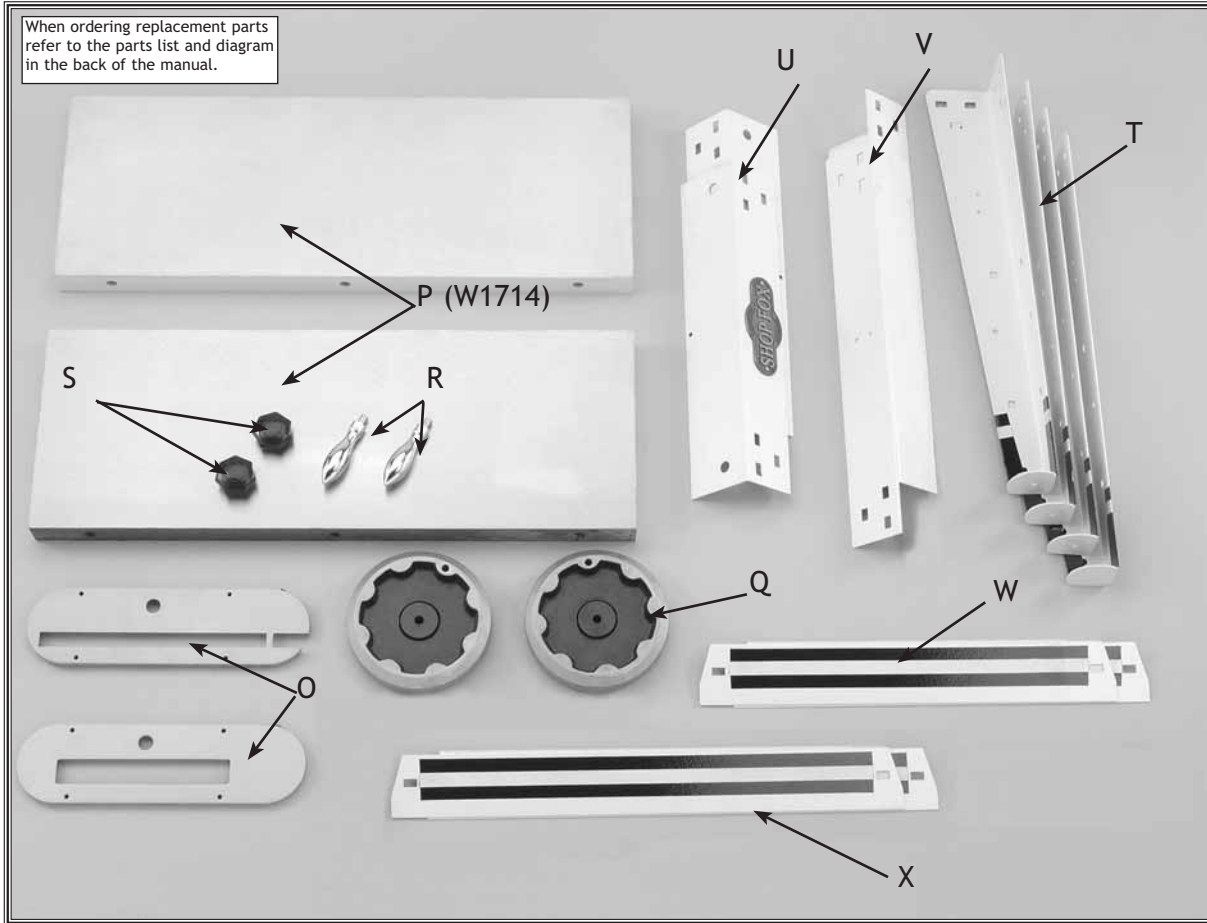


Figure 11. Inventory

INVENTORY DESCRIPTION	QTY
O. Table Inserts	1
P. Cast Iron Extension Wings (W1714)	2
Q. Handwheels	2
R. Threaded Handles	2
S. Star Knobs	2
T. Stand Legs	4
U. Top Short Bracket	2
V. Top Long Bracket	2
W. Bottom Short Bracket	2
X. Bottom Long Bracket	2

Hardware Bags

The following is a list of the hardware bags included with the Model W1714/W1703 10" Table Saws. Take the time to make sure all the hardware listed below is included with your saw. If you are missing any hardware bags, please contact Woodstock International, Inc. at 360-734-3482 or at tech-support@shopfox.biz.

Stand Hardware Bag:

- Hex Bolt $\frac{5}{16}$ "-18 x 1 4
- Hex Nut $\frac{5}{16}$ "-18 44
- Flat Washer $\frac{5}{16}$ " 48
- Carriage Bolt $\frac{5}{16}$ "-18 x $\frac{9}{16}$ " 40
- Lock Washer $\frac{5}{16}$ " 44

Hand Tool Hardware Bag:

- 12mm Combo Wrench 1
- Arbor Wrench 1
- 2mm Hex Key 1
- 3mm Hex Key 1
- 4mm Hex Key 1

Extension Wing Hardware Bag:

- Hex Bolt $\frac{7}{16}$ "-14 x $1\frac{1}{4}$ " 6
- Lock Washer $\frac{7}{16}$ " 6

Power Switch Hardware Bag:

- Phillips Head Screw #10-24 x $1\frac{1}{2}$ " 2
- Flat Washer #10 4
- Hex Nut #10-24 3
- Hex Bolt $\frac{1}{4}$ "-20 x $\frac{1}{4}$ " 1
- Flat Washer $\frac{1}{4}$ " 2
- Phillips Head Screw #10-24 x $\frac{5}{8}$ " 1
- Phillips Head Tap Screw #10 x $\frac{1}{2}$ " 1
- Cable Clamp UC-5 2

Motor Mounting Hardware Bag:

- Hex Bolt $\frac{5}{16}$ "-18 x 1 4
- Hex Nut $\frac{5}{16}$ "-18 4
- Flat Washer $\frac{5}{16}$ " 9
- Lock Washer $\frac{5}{16}$ " 4
- Carriage Bolt $\frac{5}{16}$ "-18 x $1\frac{3}{4}$ " 1
- Brass Wing Nut $\frac{5}{16}$ "-18 1
- Special Washer $\frac{5}{16}$ " 1
- Spacer 1
- E-Clip 1

Blade Guard Hardware Bag:

- Blade Guard Assembly 1
- Mounting Shaft 1
- Bracket Assembly 1
- Hex Nut $\frac{1}{2}$ " 1
- Flat Washer $\frac{1}{2}$ " 1

Dust Hood Hardware Bag:

- Phillips Head Screw #10-24 x $\frac{5}{8}$ " 2
- Hex Nut #10-24 2
- Star Washer #10 2
- Tab 2

Rubber Feet Hardware Bag:

- Rubber Feet 4
- Phillips Head Screw $\frac{1}{4}$ "-20 x 1" 4
- Hex Nut $\frac{1}{4}$ "-20 4
- Flat Washer $\frac{1}{4}$ " 4

Cleaning Machine

The table and other parts are coated with a waxy grease that protects them from corrosion during shipment. Clean this grease off with a solvent cleaner or citrus-based degreaser. Do not use chlorine-based solvents—if you happen to splash some onto a painted surface, you'll ruin the finish.

	<p>⚠️ WARNING NEVER use flammables such as gas or other petroleum-based solvents to clean your machine. These products have low flash points and present the risk of explosion and severe personal injury!</p>
--	---

	<p>⚠️ WARNING NEVER smoke while using any cleaning solvents. Smoking may cause explosion or risk of fire when exposed to these products!</p>
--	---

	<p>⚠️ CAUTION Most solvents used to clean machinery are toxic when inhaled or ingested. When using these products, work in a well ventilated area and keep away from any potential ignition sources (pilot lights). Always dispose of any waste rags in a sealed container to make sure they do not cause fire or environmental hazards.</p>

Shop Preparation

- **Floor Load:** The Model W1703 weighs 266 lbs and the Model W1714 weighs 292 lbs. Both models have the same footprint of 21" X 25½". Most commercial floors are suitable for both models. Some residential floors may require additional bracing to support both machine and operator.
- **Working Clearances:** Consider existing and anticipated needs, size of material to be processed through each machine, and space for auxiliary stands, work tables or other machinery when establishing a location for your table saw.
- **Lighting and Outlets:** Lighting should be bright enough to eliminate shadow and prevent eye strain. Electrical circuits should be dedicated or large enough to handle amperage requirements. Outlets should be located near each machine so power or extension cords are clear of high-traffic areas. Observe local electrical codes for proper installation of new lighting, outlets, or circuits.

	<p>⚠️ CAUTION Always make sure that all entrances to your shop are locked or that machines are equipped with safety lock-out devices to protect curious children or visitors from serious injury. Never allow unsupervised people in your shop who have not been fully trained!</p>
--	---

Stand

The **SHOP FOX®** Model W1703/W1714 10" Table Saw mounts on a heavy-duty metal stand.

To assemble the stand, do these steps:

1. Lay out a clean, staple-free piece of cardboard or some type of pad to prevent the table surface from getting damaged. Position the base unit of the table saw (table down) on the cardboard, as shown in **Figure 12**.
2. Secure the short mounting brackets to the underside of the table saw with the four $\frac{5}{16}$ "-18 x 1" hex screws, $\frac{5}{16}$ " washers and $\frac{5}{16}$ " hex nuts as shown in **Figure 13**. Note—*Make sure the bracket with the **SHOP FOX®** logo is facing the front of the table saw.*
3. Attach the legs to the long mounting brackets with $\frac{5}{16}$ "-18 x 1" hex screws, $\frac{5}{16}$ " washers and $\frac{5}{16}$ " hex nuts. Finger tighten the bolts.

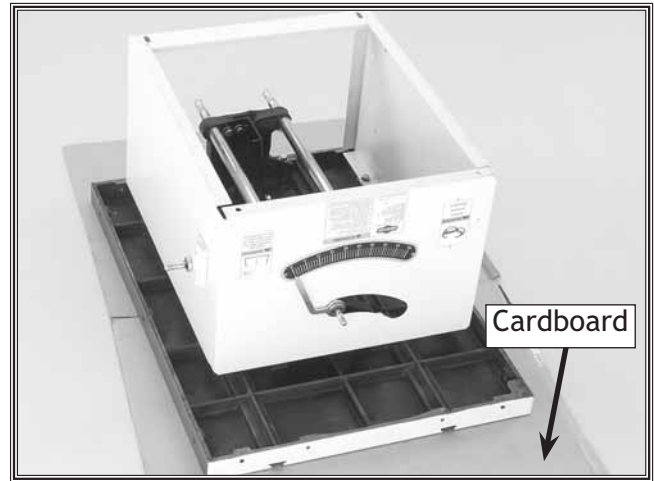


Figure 12. Base unit saw.

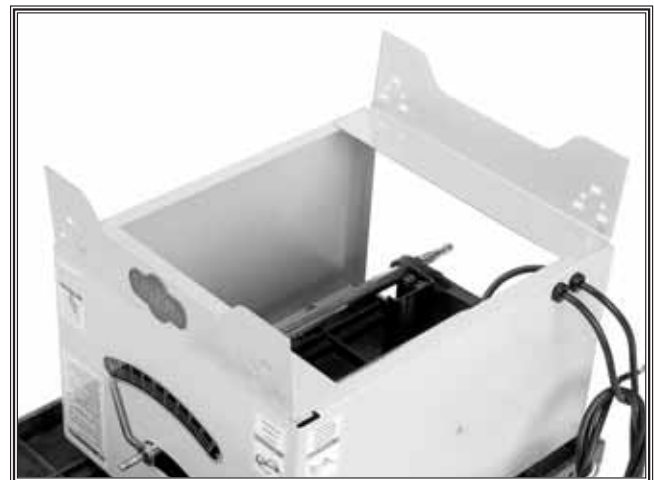


Figure 13. Attaching the top brackets.

4. Place the legs with the long mounting bracket around the outside of the short brackets as shown in **Figure 14**. Secure them in place with the remaining $\frac{5}{16}$ " carriage bolts, $\frac{5}{16}$ " washers and $\frac{5}{16}$ " hex nuts and finger tighten the bolts. This allows the holes in the brackets to easily line up with the holes in the legs.
5. Install the bottom large and small brackets to the legs with the same combination of hardware, and finger tighten the brackets in place.
6. Install the rubber feet onto the ends of the four legs with the $\frac{1}{4}$ "-20 x 1" Phillips head screws, $\frac{1}{4}$ " washers, and $\frac{1}{4}$ " hex nuts from the rubber feet hardware bag, as shown in **Figure 15**.
7. With the help on an assistant, flip the table saw over on its feet and shift the table around. Gently pull each leg out to widen the stand base.
8. When the table saw has settled on the stand, tighten all the hex nuts with the 12mm open-end wrench.



Figure 14. Attaching the legs.



Figure 15. Installing rubber feet.

CAUTION

SEEK assistance from another person to flip over the table saw. The cast iron table is very heavy and may cause injury while lifting.



Dust Hood

The table saws come with the Model W1005 Dust Hood that features a 4" port and a durable design that fits nicely inside the table saw for efficient dust collection.

To install the dust hood, do these steps:

1. Install the two hold-down tabs (**Figure 16**) into the pre-drilled holes inside the table saw cabinet.
2. Move the hold-down plates to the side to allow the dust hood to set into the opening.
3. Move the hold-down plates over the edges of the dust hood and tighten the screw to secure the dust hood in place as shown in **Figure 17**.



Figure 16. Dust hood hold-down tab.



Figure 17. Hold-down tab securing dust hood.

Handwheels

Two sturdy cast iron handwheels control the blade height and tilt angle of your table saw.

To install the handwheels, do these steps:

1. Place one of the handwheels over the trunnion shaft and engage the slot in the handwheel with the roll pin in the shaft.
2. Thread on the black star knob (**Figure 18**) to secure the handwheel in place.
3. Install the handwheel crank into the tapped hole in the handwheel as shown in **Figure 18**.

Blade Check

To ensure that your blade is parallel to the miter slot, go to **page 35** and perform **steps 1-6** before continuing with the assembly. It is important to do this now to avoid dismantling the entire saw later.



Figure 18. Installing handwheel.

Motor

To install the motor, do these steps:

1. Turn the motor upside down and install the motor plate with the $\frac{5}{16}$ " hex bolts, washer, lock washers and hex nuts from the motor mounting hardware bag (Figure 19). Note—Leave the bolts loose for now.
2. Insert the $1\frac{1}{2}$ " carriage bolt through the hole in the pulley guard bracket (Figure 20) and place the spacer and E-clip over the carriage bolt.
3. Set the motor on end (with the motor pulley up) and slide the pulley guard bracket between the motor plate and motor, and finger tighten the hex bolts (Figure 20).
4. Tighten one of the motor plate bolts to secure the assembly together until further adjustments need to be made.
5. Position the cast iron motor mounting bracket holes with the holes in the motor plate.
6. Insert the pivot rod and secure it in place with the hex bolt in the mounting bracket (Figure 21). Make sure the hex bolt engages the slot in the pivot rod.
7. Turn the arbor handwheel until the pointer reads 0° .
8. Place the motor assembly onto the mounting bars as shown in Figure 22.



Figure 19. Motor plate installed.

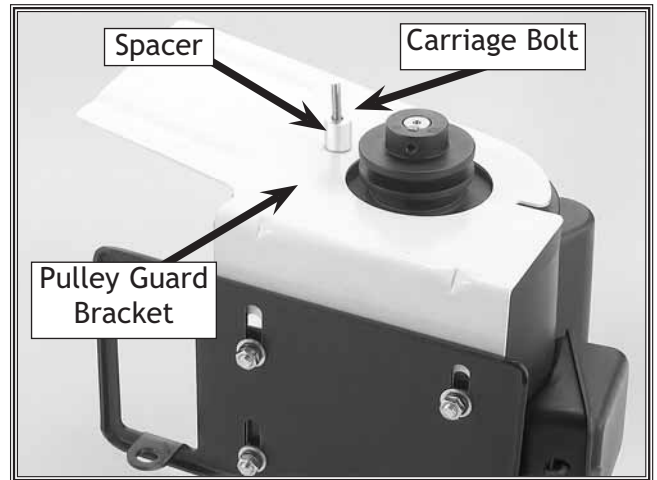


Figure 20. Pulley guard bracket and carriage bolt.

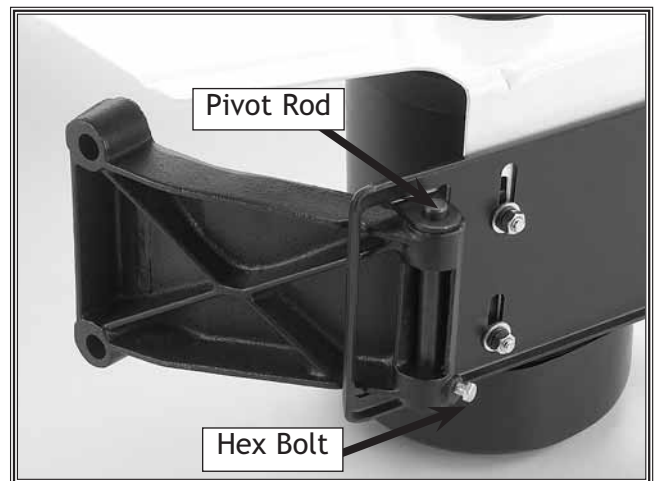


Figure 21. Pivot rod and hex bolt in mounting bracket.

9. Tighten the setscrews on top of the motor bracket to lock the motor assembly. Note—*Make sure that the bars protrude an equal distance from the motor mount.*

V-Belt

The V-belt transfers power from the motor to the arbor.

To install the V-belt, do these steps:

1. Place the V-belt around the arbor pulley.
2. Pivot the motor up and slip the other end of the V-belt around the motor pulley. Note—*Slowly lower the motor to tension the V-belt. The weight of the motor provides proper belt tension for operation.*
3. Place a straightedge across the arbor pulley and motor pulley to check V-belt alignment (Figure 23).
4. Adjust the motor position on the motor plate until the pulleys are aligned, then tighten all the bolts.

Pulley Cover

The pulley cover prevents objects from coming into contact with the motor pulley.

To install the pulley cover, do these steps:

1. Place the pulley cover over the motor pulley.
2. Secure the pulley cover into place by tightening the $\frac{5}{16}$ " wing nut and washer (Figure 24).
3. Make sure the V-belt is not in contact with the pulley cover. If there is contact, the pulley bracket must be adjusted for proper clearance.



Figure 22. Motor installed on mounting bars.



Figure 23. Checking pulley alignment with a straightedge.

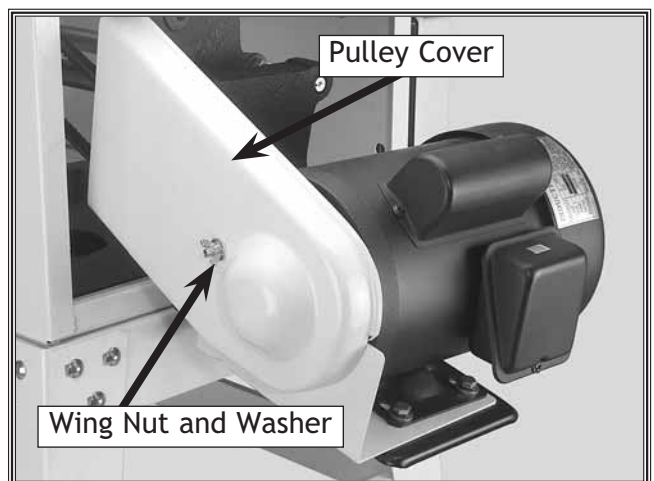


Figure 24. Pulley cover installed.

Extension Wings

To mount the extension wings, seek assistance. The Model W1714 comes with cast iron extension wings and the Model W1703 comes with heavy-duty metal extension wings. The installation process for both wings are the same.

To attach the extension wings to the saw table, do these steps:

1. Position the extension wing over the mounting locations in **Figure 25**.
2. Line up the holes on the unpainted edge of the wing with mounting holes on the saw table.
3. Install the extension wing to the table with the $\frac{7}{16}$ " hex bolts and lock washers. DO NOT tighten the bolts completely at this point. Note—*The metal extension wings for the W1703 will have $\frac{7}{16}$ " flat washers in addition to the lock washers.*
4. Place a straightedge across the table and the extension wing as shown in **Figure 26**. Adjust the wing until it is flush with the table, then tighten the bolts underneath to secure the extension wing in place.
5. To install the other extension wing, repeat **steps 2-4**.
6. When both wings are installed correctly, use the straightedge, as shown in **Figure 27**, to verify that the entire surface of the table and both wings are flush with each other.

If the extension wings tilt up or down at the outside edges, then they need to be shimmed with masking tape (see next page).

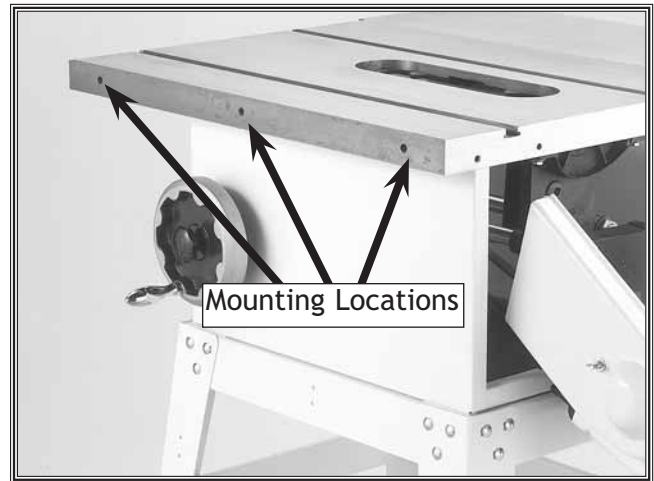


Figure 25. Extension wing mounting locations.

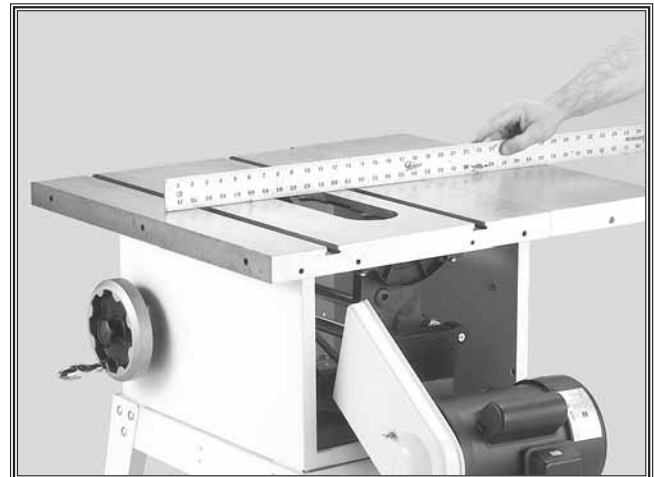


Figure 26. Checking wing with straightedge.



Figure 27. Checking both wings after assembly.

To shim an extension wing, do these steps:

1. Remove the extension wing from the table to shim the mating surface shown in **Figure 28** with tape.
 - If the extension wing tilts up, place a few layers of tape **ABOVE** the bolt holes (as shown in Figure 28).
 - If the extension wing tilts down, place the tape **BELOW** the bolt holes.
2. Place the extension wing back on the table and check to see if the tape fixed the problem.
 - If it did, trim the top of the tape with a razor knife, then continue to the next section.
 - If it did not, repeat **steps 1 & 2**.

Through trial-and-error, you can determine the correct amount of tape that needs to be applied to the table to properly shim it.



Figure 28. Shimming location.

Fence

The **SHOP FOX®** W1716 Aluma-Classic™ Fence comes in a box with its own hardware bag.

W1716 Hardware Bag Contents:	Qty
• Cap Screws $\frac{5}{16}$ "-18 x 1"	4
• Flat Washer $\frac{5}{16}$ "	4
• Flat Washer $\frac{1}{4}$ "	6
• Hex Nuts $\frac{5}{16}$ "-18	4
• Hex Bolts $\frac{1}{4}$ "-20 x $\frac{3}{4}$ "	6
• Flat Head Phlp Screws $\frac{5}{16}$ "-18 x 1"	4
• Hex Key 6mm	1
• Hex Key 4mm	1

To install the fence rail to the table saw, do these steps:

1. Install the rear rail bracket (long angle iron) to the back side of the table (**Figure 29**), with the four $\frac{5}{16}$ " cap screws. The holes in the extension tables are not threaded and require $\frac{5}{16}$ " nuts and washers to secure them.
2. Install the front rail bracket (**Figure 30**) with the $\frac{5}{16}$ "-18 x 1" flat head Phillips screws.
3. Use $\frac{5}{16}$ " washers and nuts to secure the rail to the extension table holes.
4. Align the fence rail (rectangular tubing) threaded holes over the front rail bracket holes and secure it in place with the provided six $\frac{1}{4}$ "-20 x $\frac{3}{4}$ " hex bolts as shown in **Figure 31**.



Figure 29. Rear rail bracket.



Figure 30. Front rail bracket.



Figure 31. Front rail.

To install the rip fence to the table saw, do these steps:

1. Thread the handle knob onto the fence locking handle.
2. Make sure the handle is in the unlocked "UP" position before placing the fence on the rails.
3. Check to see that the fence clears the table surface throughout its range of travel, and increase or decrease the height between the fence and table by adjusting the bolt shown in **Figure 32**.
4. Install the clear scale indicator to the right of the fence with the #10-24 x $\frac{3}{8}$ " Phillips head screws and #10 washers (**Figure 33**).



Figure 32. Height adjustment bolt.

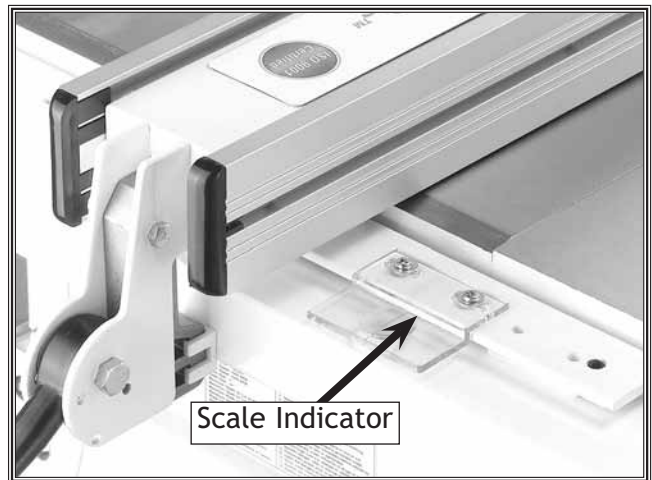


Figure 33. Scale indicator.

Blade Guard/Splitter

The blade guard/splitter assembly performs three important safety functions. (1) The blade guard is made of high impact clear plastic and provides a consistent shield over the spinning blade. (2) The splitter separates the newly cut sides of the stock to help prevent a kickback. (3) Anti-kickback pawls on both sides of the splitter are designed to dig into the workpiece in the event that a kickback occurs.

Keep the blade guard/splitter on the table saw to increase your safety during operation.

To install the blade guard/splitter, do these steps:

1. Secure the shaft into the threaded hole above the motor mount with the 1/2" washer and hex nut (Figure 34).
2. Tighten the shaft along the flats with a 14mm open-end wrench.
3. Set the arbor angle to 0° to square the blade guard.
4. Slide the blade guard bracket assembly onto the end of the shaft as shown in Figure 35 and tighten the hex bolts.
5. Install the blade guard in the attachment locations as shown in Figure 36.
6. Secure the factory set internal attachment first then position the blade guard bracket to engage the two rear attachment points.
 - Adjustments to align the blade guard with the blade and square with the table are described in the **Adjustments** section of this manual.

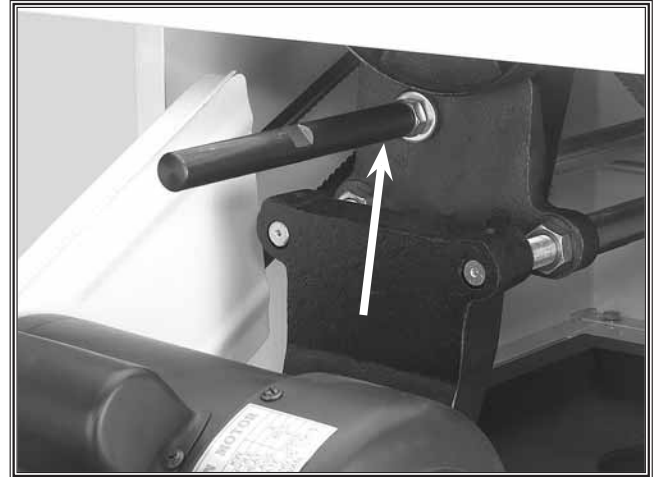


Figure 34. Splitter shaft installed.

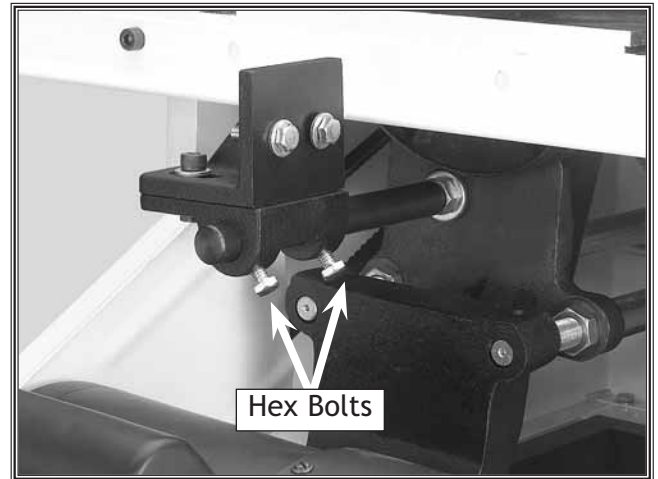


Figure 35. Splitter bracket installed on shaft.

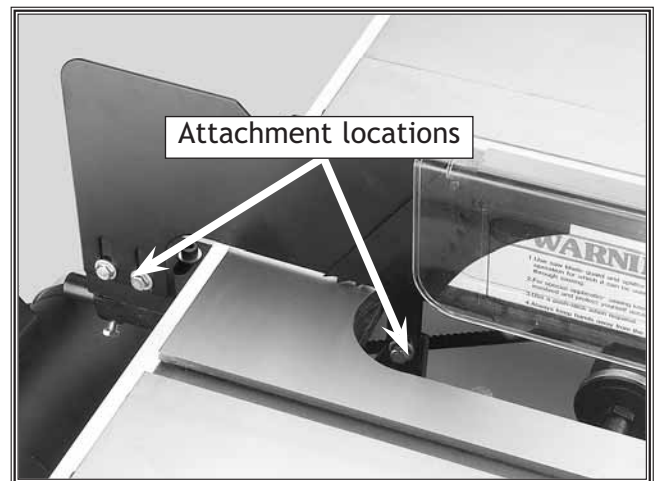


Figure 36. Blade guard/splitter attachment locations.

Power Switches

The ON/OFF switch and the magnetic switch controls the electricity to the motor.

To mount the switches, do these steps:

1. Line the hole of the ON/OFF switch bracket with the hole under the left-side of the fence rail.
2. Use a 1/4"-20 x 3/4" hex bolt and 1/4" washer to secure the switch to the fence rail (**Figure 37**).
3. Mount the magnetic switch to the side of the table saw with #10-24 x 1 1/2" Phillips head screws, #10 washers, and #10-24 hex nuts (**Figure 38**). There are mounting holes pre-drilled for proper placement of the magnetic switch.
4. Install the wire housing around the wire running from the power switch to the magnetic switch.
5. Install the wire clips in the pre-drilled holes on the side of the cabinet and on the back of the power switch.
6. Secure the wire in the wire clips.



Figure 37. Installing ON/OFF switch.



Figure 38. Installing magnetic switch.

Table Inserts

The two table inserts shown in **Figure 39** have been provided with the Model W1703/W1714 Table Saw. The insert with the narrow opening is for standard cutting applications and the insert with the wide opening is for dado cutting applications.

Always use the table insert that will provide the smallest opening. This will ensure safe, quality cuts.

To install and correctly adjust your table inserts, do these steps:

1. Place the insert into the opening of the table.
2. Place a straightedge across the table surface and adjust the setscrews, as shown in **Figure 40**, to make the insert flush with the top of the table.
3. After the initial adjustments have been made, double check the insert with the straightedge to ensure that the entire insert is flush with the table.

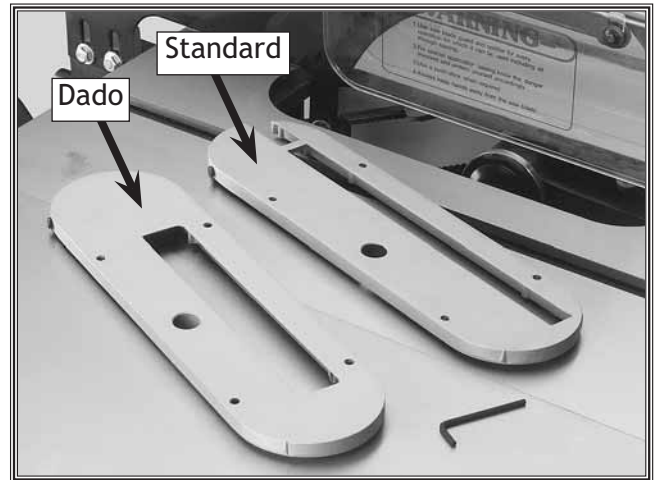


Figure 39. Factory table inserts.

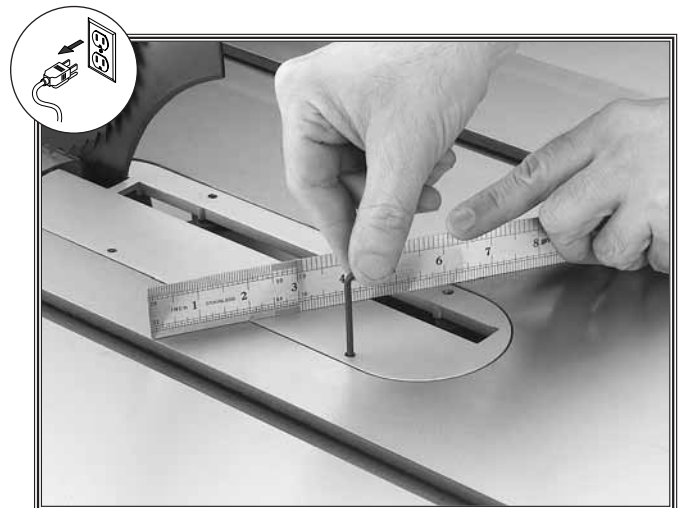


Figure 40. Adjusting table insert height.

ADJUSTMENTS

Blade

The following adjustments throughout this section require you to have the blade installed in the table saw.

	<p>⚠ CAUTION</p> <p>WEAR THICK LEATHER GLOVES! Table saw blades are extremely sharp! Be very careful when working around them. One small mistake could result in a trip to the emergency room!</p>
--	---

To install the blade on the table saw, do these steps:

1. UNPLUG THE TABLE SAW!
2. Raise the arbor to the maximum height.
3. Remove the table insert.
4. Remove the $\frac{5}{8}$ " arbor nut from the arbor, then place the blade inside the table opening and fit it on the arbor so that the teeth face toward the front of the saw.
5. Hold the blade flat against the flange and finger tighten the arbor nut on the arbor.
6. Use a scrap block of wood to brace the blade as shown in **Figure 41**. With the included arbor wrench, tighten the arbor nut. DO NOT over-tighten the nut.

	<p>⚠ WARNING</p> <p>UNPLUG- the power cord when making any adjustments on this machine! Otherwise, serious personal injury to you or others may occur!</p>
--	---



Figure 41. Tightening blade (from behind the machine).

<p>⚠ CAUTION</p>
<p>If you ever notice the blade wobbling during operation, turn the power off immediately. Unplug the saw, then check the arbor nut and tighten it if necessary. Operating the saw with a loose blade may cause injury or damage to equipment.</p>

Blade Parallelism

The arbor position has been set at the factory to hold the blade parallel with the miter slots in the table. If you find that the table saw is not parallel, adjustments should be made to achieve the best results from your saw.

To adjust the blade parallel to the miter slot, do these steps:

1. Install a blade on the arbor.
2. Position the blade at 90°.
3. Use a tri-square to measure the distance between the front of the blade and the miter slot as shown in **Figure 42**.
4. Rotate the blade 180° and measure the distance between the back of the blade and the miter slot.
5. Compare both measurements. If there is 0.005" difference or less in both measurements, no adjustments need to be made. If the difference is greater than 0.005", note the difference, as you will need to make adjustments to the table.
6. Position the blade at 45° and repeat **steps 3-5**.
7. Remove the blade guard and fence.
8. Place the saw base unit table down as shown in **Figure 43**.
9. Clamp the front and rear trunnions and trunnion brackets together to keep the blade tilting assembly as one unit.

⚠ CAUTION

SEEK assistance from another person to remove/replace the table and wings. The table and wings are very heavy and may cause injury while lifting.





Figure 42. Checking blade/miter slot parallel.

NOTICE

If you move the blade position, make sure to align blade splitter and check the miter slot-to-blade alignment.

- If the blade was not parallel to the miter slot when the blade was at 90°, continue to the “**Shifting Trunnion Instructions**” .
- If the blade was not parallel to the miter slot when the blade was at 45°, continue to the “**Shimming Trunnion Instructions**”.

Shifting Trunnion Instructions

1. Loosen the 4 trunnion bolts (Figure 43).
2. Shift the internal components of the saw, according to the measurements taken in steps 3 and 4 from the pervious section.
3. Reassemble the saw and check the measurements again.
4. If the blade is still not parallel to the miter slot, disassemble the table saw and repeat this section.

Shimming Trunnion Instructions

1. Use Figure 44 to shim the trunnion according to the measurements taken in step 6 with the blade at 45°. Make sure you place the shim(s) between the table and trunnion.
 - Shim in corners #1 and #2 if the distance of A is shorter than B.
 - Shim in corners #3 and #4 if the distance of B is shorter than A.

2. Rotate through the trunnion bolts and tighten each one a little at a time until all the bolts are secure.
3. Reassemble the saw and check the measurements again.
4. If the blade is still not parallel to the miter slot, disassemble the table saw and repeat this section.

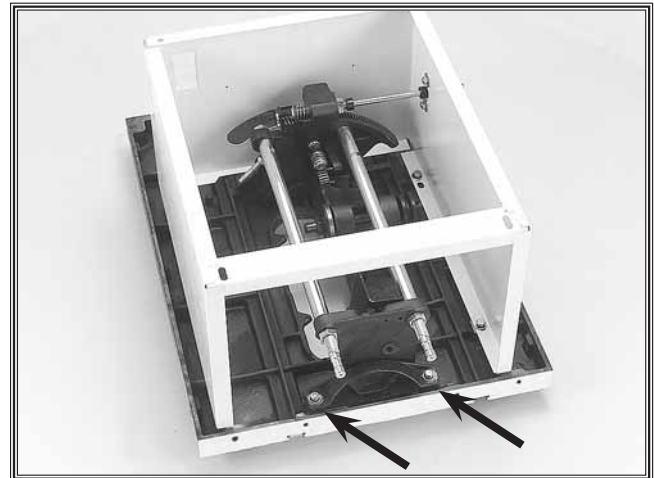


Figure 43. Trunnion bolts (only two shown).

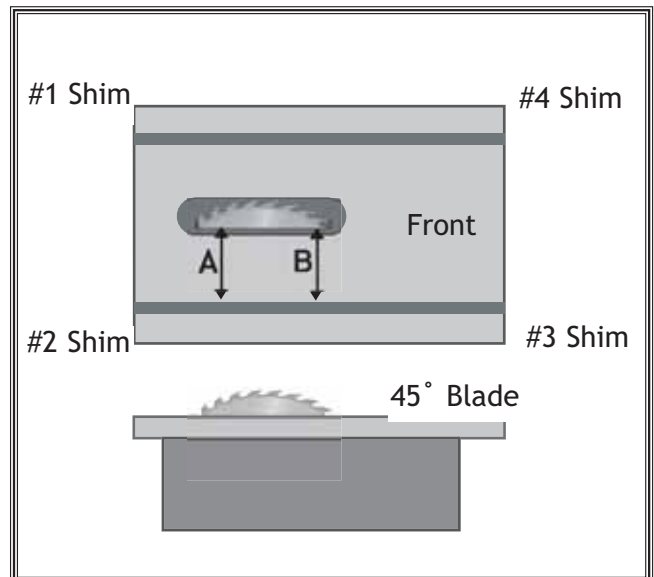


Figure 44. Shimming positions.

Fence Parallelism

The saw blade should be parallel to the miter slot, as described in the previous sub-section, before performing this adjustment.

To adjust the SHOP FOX® Aluma-Classic™ Fence parallel with the miter slot, do these steps:

1. **UNPLUG THE TABLE SAW!**
2. Align the edge of the fence with the edge of the miter slot.
3. Adjust the setscrews shown in **Figure 49** to adjust the angle of the fence. Note— *The left setscrew will move the fence left and the right setscrew will move the fence right.*
4. Adjust the fence until the back end of the fence falls $\frac{1}{64}$ " away from the miter slot (**Figure 50**) so the workpiece can clear the opposite end of the saw blade without binding. This is called "lead" (pronounced *lead*).

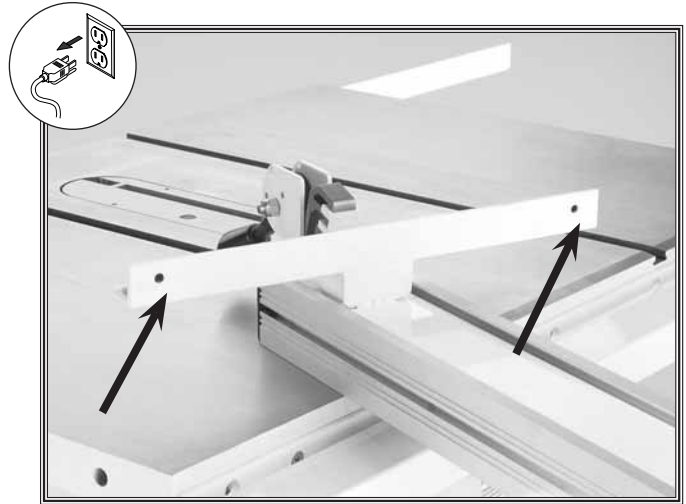
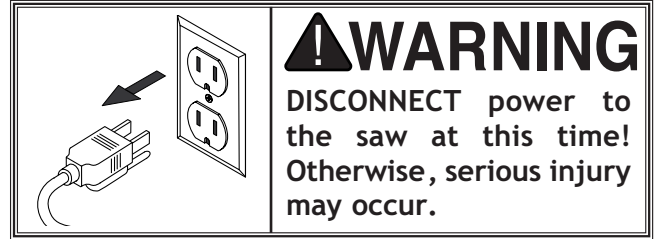


Figure 45. Fence adjustment setscrews.

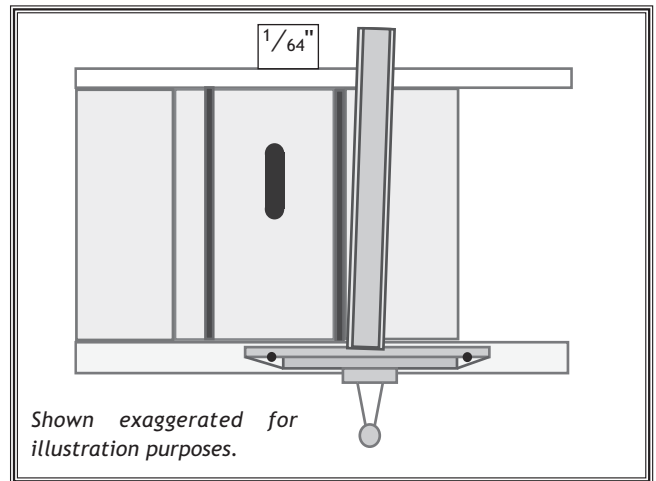


Figure 46. Fence adjustment setscrews.

Splitter

⚠️ WARNING

Align the wood splitter with the blade, otherwise kickback may occur. Ignoring this warning can cause severe injury or death. If you cannot get the blade splitter and blade aligned, call our service department for help.

To adjust the blade splitter square to the table, do these steps:

1. Loosen the hex bolts shown in **Figure 47** to allow the blade splitter to rotate on the support shaft.
2. Use a machinist square to adjust the blade splitter 90° to the table as shown in **Figure 48**.
3. Tighten the hex bolts to lock the splitter in place.

To check and align the splitter to the blade, do these steps:

1. Raise the blade to its maximum height.
2. Hold a straightedge against the blade and check to make sure that the splitter and the blade are in-line.
 - If it is, tighten the adjustment bolts shown in **Figure 47** on the splitter bracket.
 - If it is not, continue to **steps 3 & 4** to re-align the splitter to the blade.
3. To align the splitter to the blade, loosen the two adjustment bolts and the two internal adjustment bolts on the bracket that holds the front of the splitter shown in **Figure 49**.
4. Align the blade and splitter so they both evenly touch the straightedge. Tighten all the adjusting bolts to secure the splitter in place.

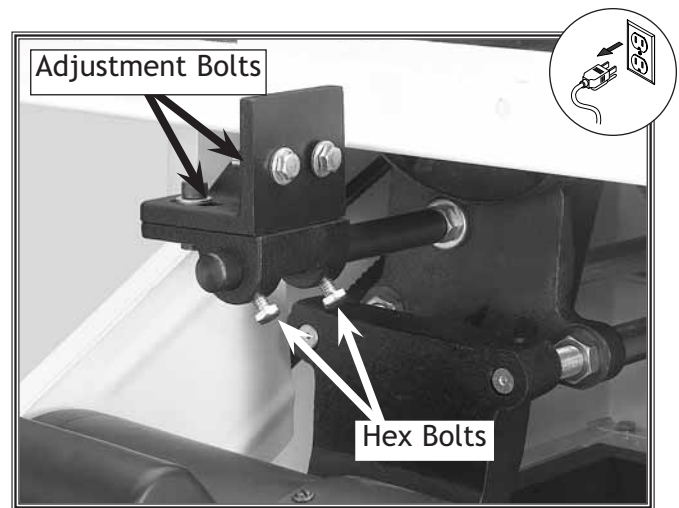


Figure 47. Aligning splitter to blade.

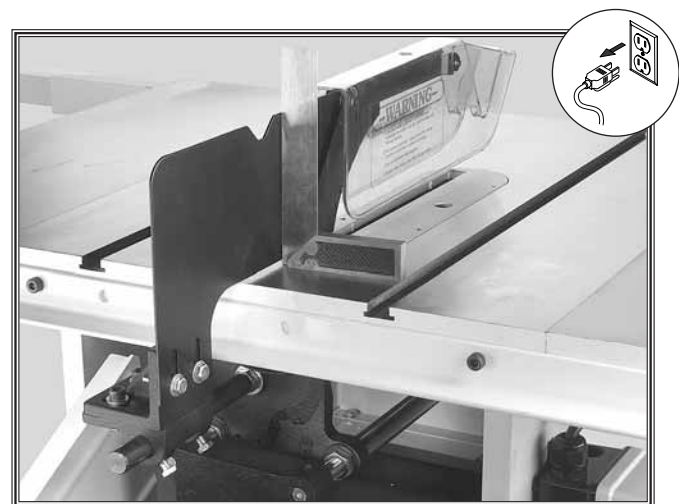


Figure 48. Squaring splitter to the table.

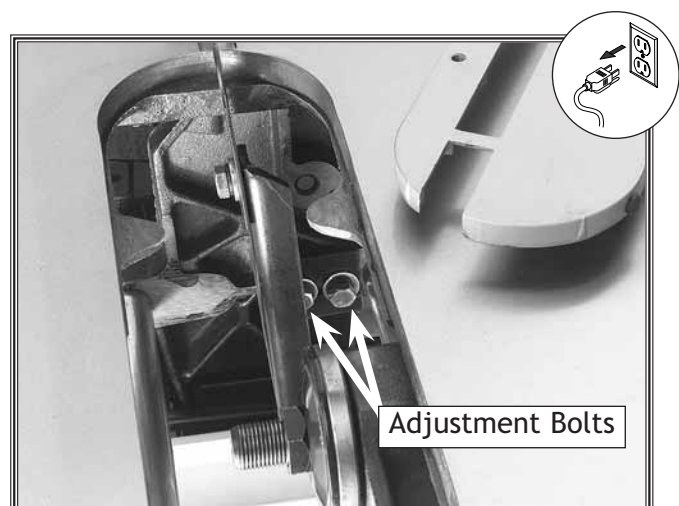


Figure 49. Splitter attachment locations.

45° Positive Stop

The 45° positive stop assures you that the blade is correctly set at 45° when the handwheel stops.

To check the 45° positive stop, do these steps:

1. **UNPLUG THE TABLE SAW!**
2. Raise the blade to full height.
3. Place a 45° angle gauge flat on the table and up against the blade.
4. Tilt the wheel so the blade evenly touches the 45° angle gauge, while the gauge evenly touches the surface of the table, as shown in **Figure 50**.

To set the 45° positive stop, do these steps:

1. Reach through the back of the saw and locate the positive stop bolt shown in **Figure 51**.
2. Move the positive stop bolt in or out to contact the underside of the saw table. This step may take some trial and error.
3. When the positive stop bolt is adjusted so it stops the tilting assembly at 45°, tighten the nut at the bottom of the bolt so the bolt will not turn in either direction with your fingers.
4. Tilt the blade away from 45° and then back to 45°.
5. Check the blade with the 45° angle again.
 - If the angle touches both the blade and the table evenly, it is correct.
 - If it does not touch both evenly, adjust the blade to the angle again and repeat steps 1-5.

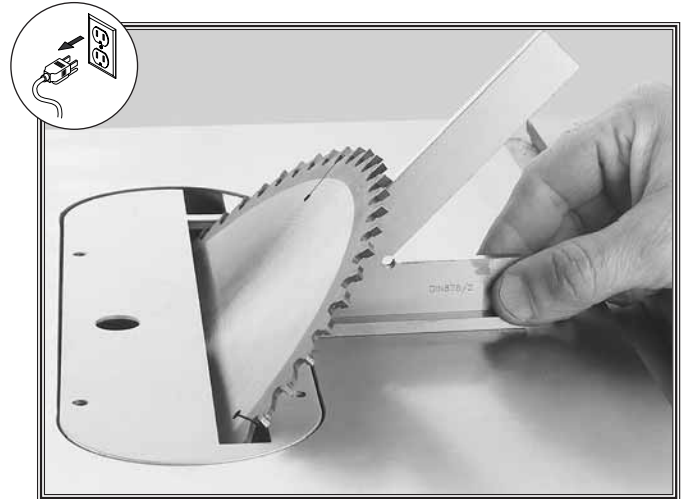
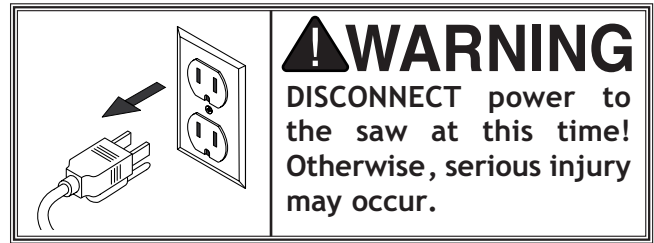


Figure 50. Setting blade to 45°.

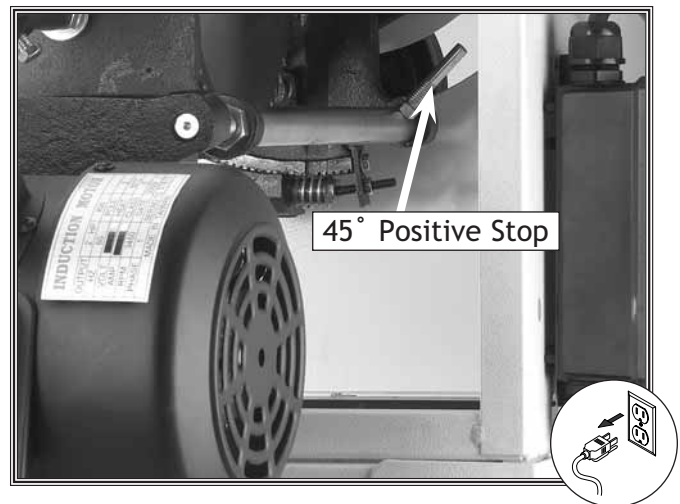


Figure 51. 45° Positive stop.

90° Positive Stop

The 90° positive stop assures you that the blade is correctly set at 90° when the handwheel stops.

To check the 90° positive stop, do these steps:

1. **UNPLUG THE TABLE SAW!**
2. Raise the blade to full height.
3. Place a machinist square flat on the table and up against the blade.
4. Rotate the wheel so the blade evenly touches the 90° angle gauge, while the gauge evenly touches the surface of the table, as shown in Figure 52.

To set the 90° positive stop, do these steps:

1. Reach through the back of the saw and locate the 90° positive stop bolt shown in Figure 53.
2. Move the positive stop bolt in or out to contact the front trunnion. This step may take some trial-and-error.
3. When the positive stop bolt is adjusted so it stops the tilting assembly at 90°, tighten the nut at the bottom of the bolt so the bolt will not turn in either direction with your fingers.
4. Tilt the blade away from 90° and then back to 90°.
5. Check the blade with the try square again.
 - If the angle touches both the blade and the table evenly, it is correct.
 - If it does not touch both evenly, adjust the blade to the angle again and repeat steps 1-5.

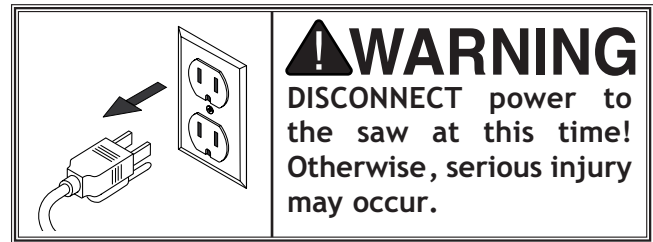


Figure 52. Setting blade to 90°.

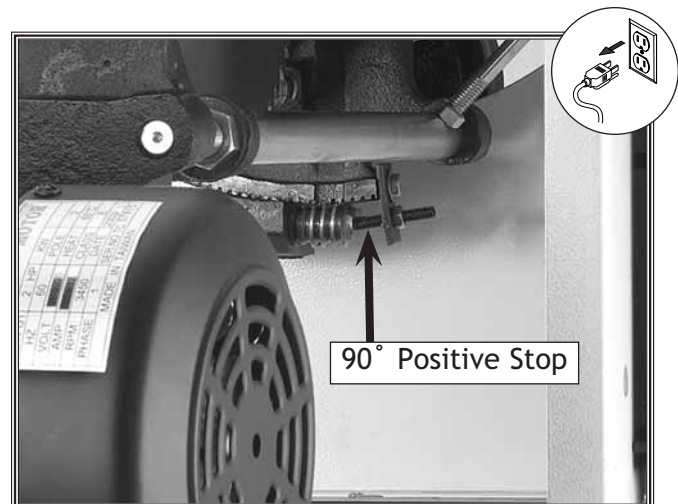


Figure 53. 90° positive stop bolt.

Angle Pointer

The angle pointer allows you to set the angle to the correct position on the angle gauge after setting the 90° and 45° positive stops.

To set the angle pointer, do these steps:

1. Make sure that you have performed the 90° and 45° positive stop instructions before beginning.
2. Turn the blade to 90°.
3. Check the angle pointer. If it reads "0," then it is already adjusted correctly.
4. If it is not pointing to "0," move the pointer to 0° (Figure 54). Note— *The angle pointer can be adjusted by loosening the setscrew behind the pointer.*

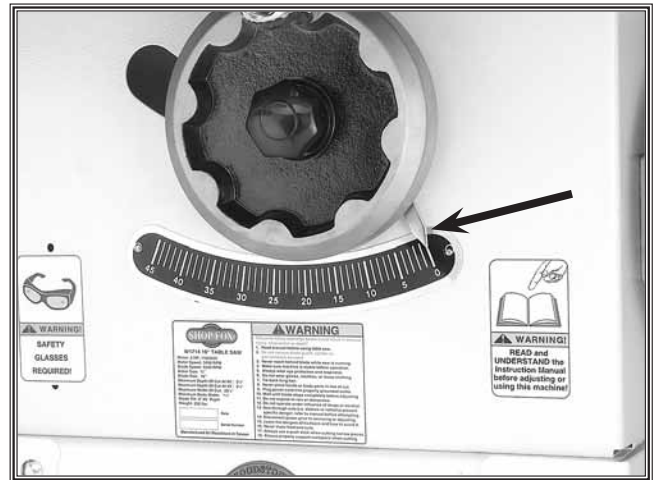


Figure 54. The angle pointer.



Figure 55. The miter gauge.

Miter Gauge

The miter gauge (shown in Figure 43) allows you to support the workpiece at a given angle, while crosscutting. In order to be accurate, the miter gauge pointer needs to be adjusted before use.

To set the miter gauge pointer, do these steps:

1. Loosen the miter handle shown in Figure 55, so the miter gauge rotates back and forth.
2. Using a square, adjust the miter body so it is square to the miter bar.
3. Tighten the knob so the miter body is secure.
4. Loosen the setscrew on the miter slide next to the angle pointer, and adjust the angle pointer so it reads "0." Tighten the setscrew so the angle pointer is secure.
5. Check and adjust if necessary.

NOTICE

If the miter bar fits too loose in the miter slot, it can be adjusted by tightening the setscrews on the side of the miter slide. These setscrews push the thin walls of the slide out slightly to create resistance while in the miter slot. Do not over-tighten.

Worm Gear

The worm gears on the blade tilt and height handwheel shafts can be adjusted on an eccentric bushing to reduce any backlash between the worm gear and the trunnion teeth.

To adjust the blade tilt worm gear, do these steps:

1. **UNPLUG THE TABLE SAW!**
2. Remove the dust port from the bottom of the table saw.
3. Loosen the collar setscrew and slide the collar away from the check nut.
4. Unthread the check nut completely off of the threaded eccentric bushing (**Figure 56**).
5. Place a wrench on the “flats” of the threaded bushing and slowly turn the wrench to adjust the worm gear up or down. Note—*The worm gear and trunnion teeth should mesh with almost no backlash.*
6. Thread the check nut back onto the bushing, being careful not to move the bushing.
7. Place a wrench on the “flats” of the threaded bushing to hold the eccentric in place, and tighten the check nut against the casting.

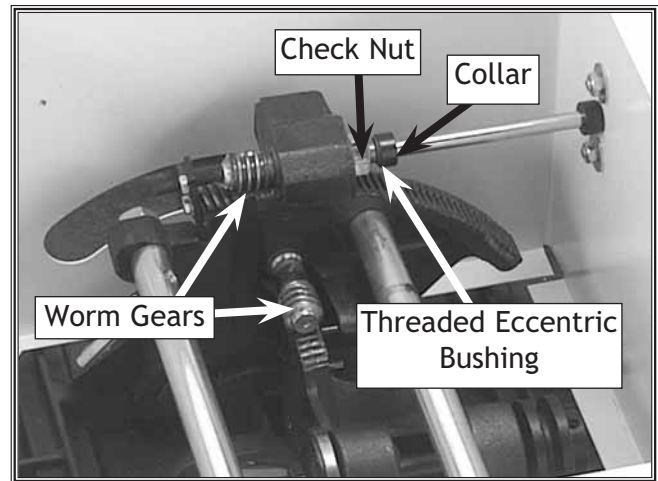


Figure 56. Blade tilt worm gear.

To adjust the blade height worm gear, do these steps:

1. **UNPLUG THE TABLE SAW!**
2. Remove the blade height handwheel.
3. Remove the roll pin in the handwheel shaft.
4. Remove the washer and angle pointer from the threaded eccentric bushing to reveal the eccentric “flats”.
5. Loosen the check nut and thread it back from the trunnion casting.
6. Place a wrench on the “flats” of the threaded bushing and adjust the worm gear up or down. Note—*The worm gear and trunnion teeth should mesh with almost no backlash.*
7. Thread the check nut back onto the bushing, being careful not to move the bushing.
8. Tighten the check nut against the casting while using a wrench to hold the threaded bushing stationary.

Test Run

When assembly is complete and all safety considerations have been met, it is time to test run your table saw.

If you are operating your saw on 220V, now is the time to install your 6-15 plug.

Make sure the plug is connected to the power source. Turn the table saw **ON**. Similar to **Figure 57**, keep your hand over the controls in case there is a situation that requires you to quickly turn the power **OFF**. Your saw should run smoothly with no strange noises or excessive vibration.



Figure 57. Hand poised over ON/OFF switch.

OPERATIONS

Blade Selection

With all the various kinds of blades available, it would be beyond the scope of this manual to name every type of blade and tooth design. However, there are some basics that are important to know.

Blade Material

There are two major materials used in circular saw blades—**Carbide** and **Steel**.

Most woodworkers prefer **carbide-tipped blades** because they can last much longer than steel blades before they need to be resharpened. Carbide-tipped blades are also a lot more expensive than steel blades and require expensive honing equipment to be sharpened.

Steel blades can be sharper than carbide-tipped blades and create less friction during a cut. Since they wear out so quickly, they are often only used if heat will be a foreseeable problem when cutting thick stock. Steel blades are easy to resharpen and are not as expensive as their carbide-tipped counterparts.

Blade Types

- **Figure 58** shows an example of a rip blade. This style of blade typically has between 30-40 teeth and provides fast feed rates when making long cuts along the grain. The rip blade has large teeth that provide excellent chip clearance and minimize the chances of binding. Drawbacks to this type of blade are the rougher cuts that the large teeth leave in the stock.
- **Figure 59** shows an example of a crosscutting blade. This type of blade is designed for quick, smooth action when making cuts across the grain. Drawbacks to this type of blade are buildup of heat, slower feed rates and premature wear of the blade because the greater number of teeth creates more friction.

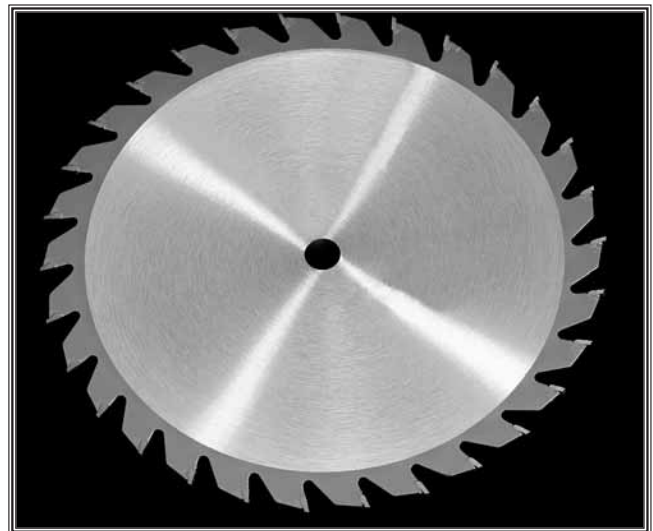


Figure 58. Rip blade.

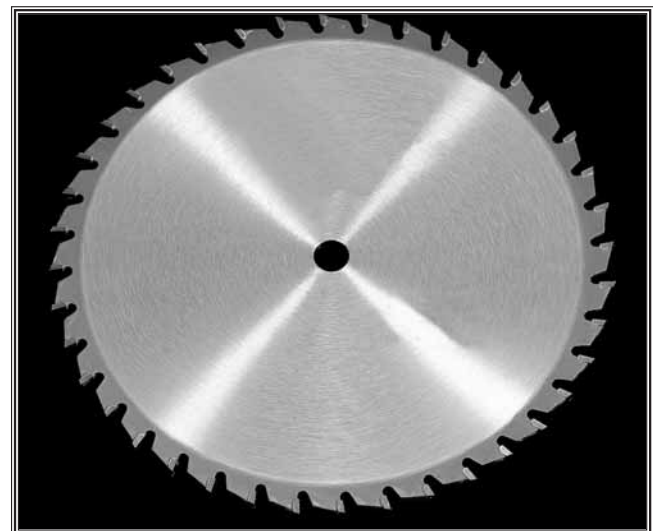


Figure 59. Crosscutting blade.

- **Figure 60** shows an example of a combination blade. Combination blades are designed to perform both ripping and crosscutting duties. The blades carry enough teeth to perform the smooth cutting of a crosscutting blade and the large gullets of a rip blade to clear sawdust quickly. Drawbacks to this type of blade are that they do not perform either function as well as a dedicated rip or crosscut blade.
- **Figure 61** shows an example of a plywood blade. Plywood blades have a large number of teeth, have a thin kerf and create exceptionally smooth cuts. As the name implies, these types of blades are excellent for fine plywood and also for cutting bevels, rabbets or compound miters. The drawback to this type of blade is the great amount of heat produced from the many teeth. These blades should not be used for heavy ripping or cutting thick stock.
- **Figure 62** shows a stack dado blade. Dado blades come in three different types: stack dadoes, wobble dadoes, and V-dadoes. Dado blades allow the operator to change kerf sizes and to make quick and easy non-through cuts. Dado blades are primarily designed for making dado and rabbet cuts. The drawback to these types of blades are their high cost.

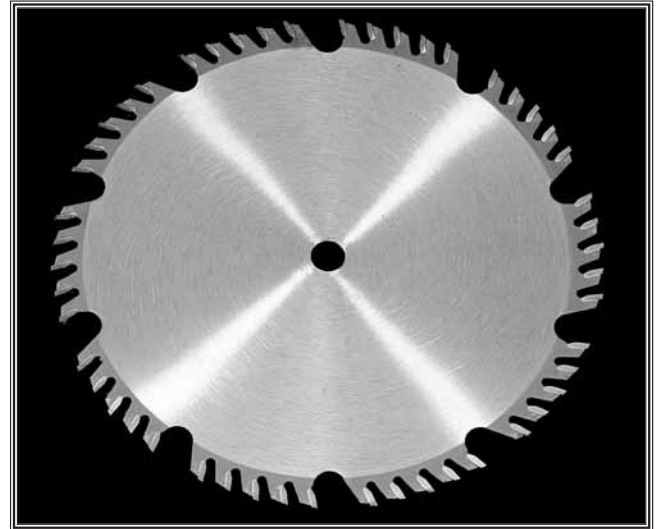


Figure 60. Combination blade.

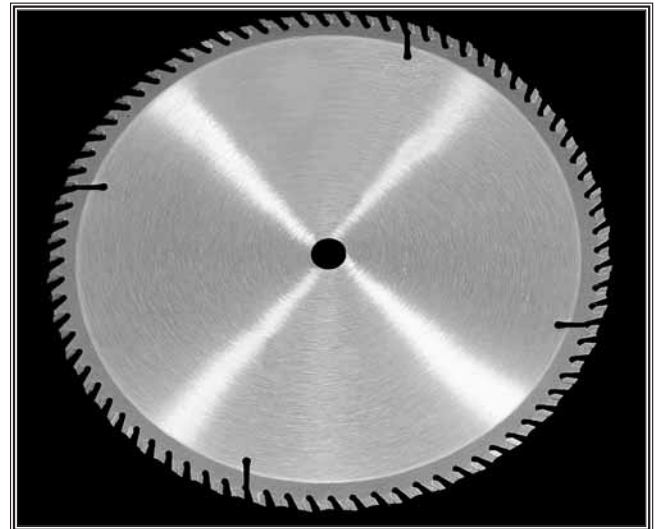


Figure 61 Plywood blade.

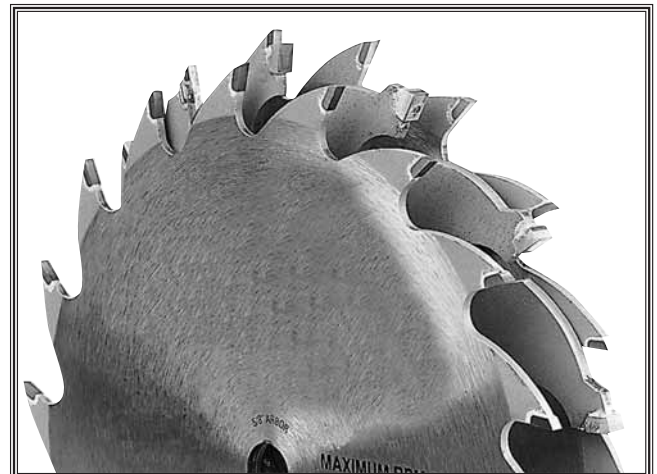


Figure 62. Dado blade.

⚠ CAUTION

Do not use dado blades for through cuts. They are not designed for through cuts and may cause minor to moderate personal injury when misused.

As a guideline, the more teeth in a cut, the greater the friction will be. Smaller teeth take less of a bite out of the wood than larger teeth; thus, they have a slower feed rate which generates more heat. Too much heat can cause your stock to burn, your blades to wear out prematurely, and may result in kickback. Always keep this in mind when applying your feed rate.

Tooth Configuration

Tooth Configuration is another important aspect of blade design. There are four main types: flat-top grind for fast heavy-duty ripping; alternate-top bevel for reduced-heat, tear-out free cuts, and ripping/cutting; alternate-top bevel and raker for solid and plywood, good all-around, but not for fine joinery; and triple-chip grind for cutting hardwoods as well as plastics, particle board and aluminum. **Figure 63** shows these configurations, along with their respective kerf profiles.

Blade Height

For optimum cutting on through-cuts, raise the blade height so it comes out of the workpiece approximately $\frac{1}{4}$ " as shown in **Figure 64**. Ideally you want 5-7 teeth in the workpiece at one time.

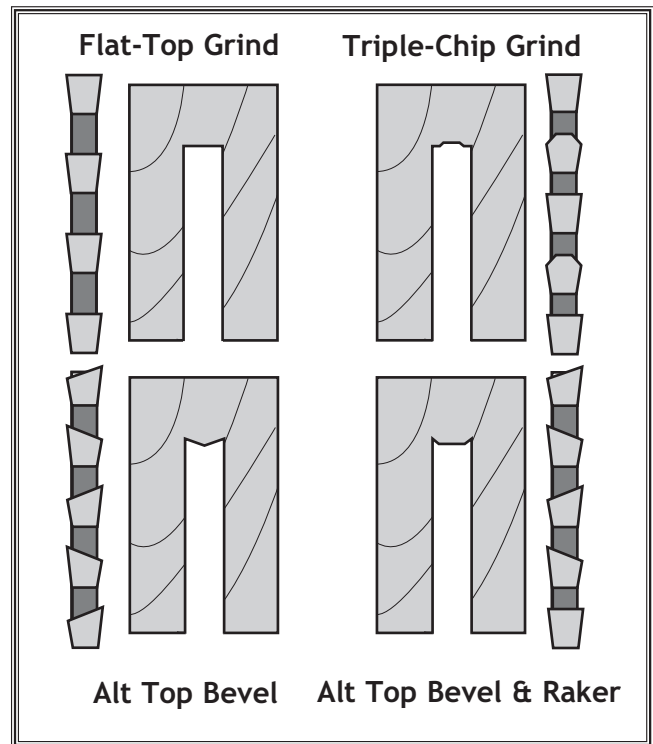


Figure 63. Tooth configurations.

Feed Rate

The rate at which you push the workpiece into the moving blade is extremely important for making safe and quality cuts. Using improper feed rates for long periods of time will also decrease the life span of your saw and blades.

To determine the appropriate feed rate, take into consideration the size of your motor (HP), the thickness and species of your workpiece, the type and the sharpness of the blade you are using. Most of all, listen to the motor and use common sense. If you are cutting a thick piece of stock and the motor sounds like it is struggling, it probably is. Reduce the feed rate immediately so you do not cause a kickback.

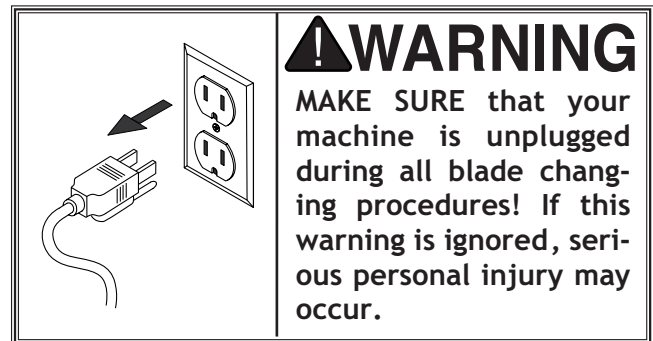


Figure 64 Blade protruding $\frac{1}{4}$ " from workpiece.

Crosscutting

Crosscutting means cutting against the grain. This is often done using the miter gauge as support. **Figure 65** shows a typical crosscutting operation.

To make a crosscut, do these steps:

1. With a pencil or utility knife, mark the piece of stock where you want to cut.
2. Make sure the saw is turned **OFF** and place the workpiece next to the blade, so that you can determine and set the correct blade height.
3. Hold the bottom of the workpiece flat against the table and hold the edge of the workpiece flat against the miter face.
4. Slide the workpiece forward to line up the cutting mark with your blade. The blade should be on the waste side of the marked line. **DO NOT** use the rip fence as a guide.
5. After you have lined up the mark with the blade, slide the workpiece and miter gauge backward, while still holding them firmly as stated in **step 3**.
6. Turn the saw **ON**.
7. Before you cut, consider your immediate safety: Are your safety glasses on? Is the workpiece stable? Is the blade guard/splitter in place? Are there any obstructions in front of the workpiece? Are you standing to the side of the line of cut?
8. When you are sure that everything is safe, proceed toward the blade and cut the workpiece at a smooth and steady rate, all the way through the width of the workpiece. Turn the saw **OFF**. **DO NOT** grab the cutoff piece until the blade has come to a complete stop.

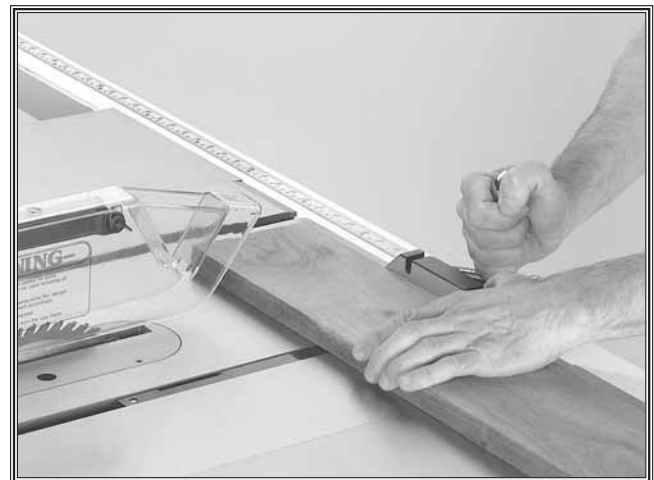
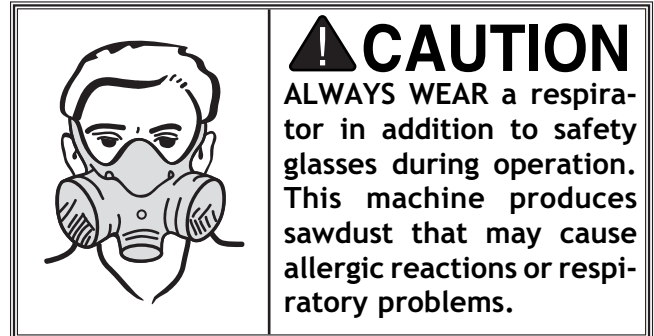
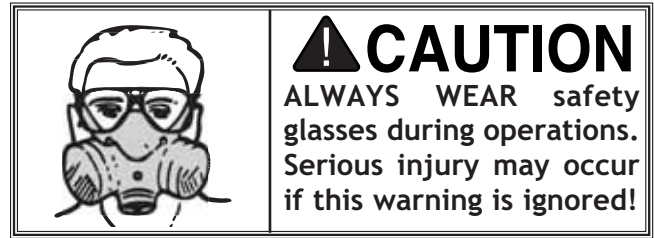


Figure 65. Typical crosscutting operation.

OPERATIONS

Ripping

Ripping means cutting along the grain of the wood. This is done by using the fence as a support during the cut.

When ripping a narrow piece, make sure that you use a push stick that provides adequate clearance over the moving blade and is thin enough to pass between the fence and blade. **Figure 66** shows a narrow ripping operation. Notice the use of the tall push stick and the other hand withdrawn as the end of the workpiece nears the blade.

To rip a board, do these steps:

1. Set the fence to the measurement that you want to cut your workpiece and lock it in place.
2. Make sure that the blade guard is in place and turn the saw **ON**.
3. Place the workpiece flat on the table and flat against the fence. Place pressure on the workpiece toward the fence with either your hand or a push stick.
4. Before you cut, consider your immediate safety: Are your safety glasses on? Is the workpiece stable? Is the blade guard/splitter in place and properly aligned with the blade? Are there any obstructions in front of the workpiece? Are you standing to the side of the line of cut? If adjustments are necessary, correct them immediately.
5. After taking all safety precautions, use a push stick to slowly feed the workpiece into the moving blade. When the hand applying the pressure to the fence gets approximately 8" from the blade, move it out of the way and continue to push the workpiece through the blade, until the entire length is cut and past the moving blade.
6. Turn the saw **OFF** and wait for the blade to stop before retrieving the two pieces from the other side.

⚠ WARNING

Always rip a board that has a perfectly straight edge. If a straight edge cannot be found, run the board through a jointer before cutting with the table saw. Always run the straight edge of the board against the rip fence. Failure to do this could result in kickback and serious personal injury.

NOTICE

For complete instructions on adjusting the SHOP FOX® Aluma-Classic™, refer to the manual included with the fence.



Figure 66. Use a push stick when ripping narrow pieces.

Cutting Miters

A miter is an angled crosscut. Miters are usually cut in the same manner as crosscuts, using the miter gauge and a predetermined mark on the workpiece.

To perform a miter cut, do these steps:

1. Determine the angle of your cut. If the angle needs to be super accurate, use a protractor to set the miter gauge to the blade.
3. Now, pull the miter gauge out of the slot, place the face of the miter gauge against the edge of the workpiece. Position the miter gauge so the bar goes across the face of the workpiece. Use the bar as a guide to pencil in your cut as shown in **Figure 67**.
4. Place the miter gauge back into the slot and hold the workpiece firm against the miter gauge body. With the saw **OFF**, slide the workpiece and miter gauge up to the blade. Adjust the workpiece so the blade will travel along your line, but through the waste portion of the stock.
5. Proceed to make the cut in the same manner as described in the "Crosscutting" instructions.

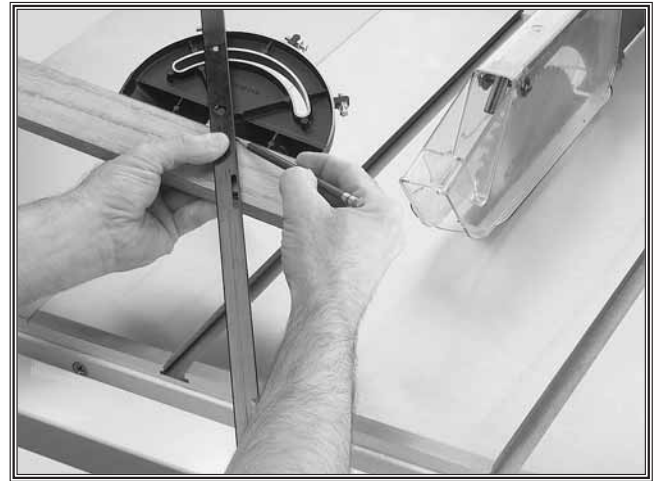


Figure 67. Marking miter line.

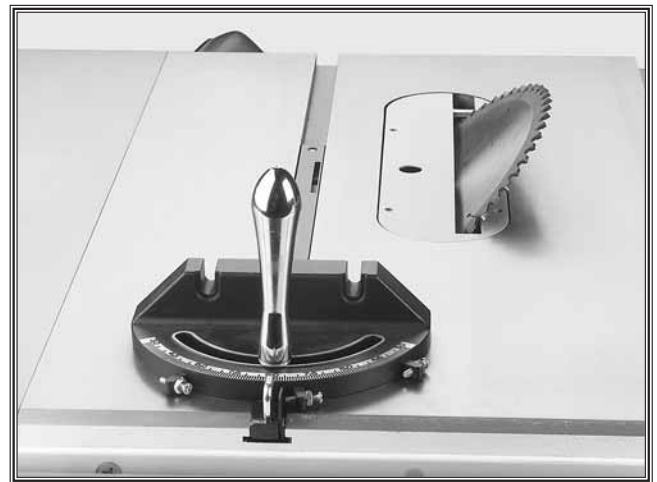


Figure 68. Blade tilted to 45° (guard removed for clarity).

Blade Tilt/Bevel Cuts

When the positive stops are properly adjusted, the blade tilt handwheel allows the operator to tilt the blade to the right, anywhere between 0° and 45°. This is used most often when cutting bevels, compound miters or chamfers.

Figure 68 shows an example of the blade when tilted to 45°.

When using the tilting feature keep these tips in mind:

- Never tilt the blade while running the saw.
- Slow your feed rate down. Angled cuts require more blade exposure, thus producing greater friction and heat.
- Make sure the blade is not touching the edges of the metal table insert.
- DO NOT remove the blade guard/splitter. It is designed to tilt with the blade.
- Follow the “Crosscutting” and “Ripping” instructions when performing either of those two types of cuts with the blade tilted.

Dado Cuts

Dado cuts can be performed on the table saw with a dado blade or a single crosscutting blade with multiple passes. They can also be cut both with or against the grain, and they are performed with the same basic concepts as in crosscutting and ripping. **Figure 69** shows a dado crosscut

As with all non-through cuts, you **MUST** remove the blade guard/splitter in order to complete the cut. Removal of the blade guard/splitter greatly increases the risk of kickback, so take extra precaution for your personal safety. Use feather boards or other anti-kickback devices, and immediately re-install the blade guard/splitter after finishing your cuts.

Rabbet Cuts

Rabbet cuts are similar to dado cuts but are cut along the edges to make an L shape, rather than a “U” shape. **Figure 70** shows a diagram of a typical rabbet cut.

Again, with all non-through cuts, you **MUST** remove the blade guard/splitter in order to complete the cut. Make sure to re-install the blade guard/splitter after finishing your cuts.

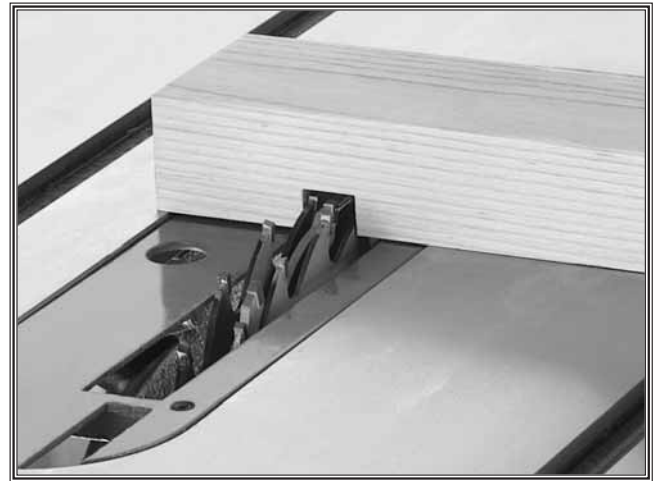


Figure 69. Dado crosscut.

WARNING

Removal of the blade guard/splitter greatly increases the risk of kickback. To prevent injury, use extra precautions while making any type of cuts with the blade guard/splitter removed, and immediately reinstall the blade guard/splitter after those cuts have been made. Failure to follow this warning may result in serious personal injury.

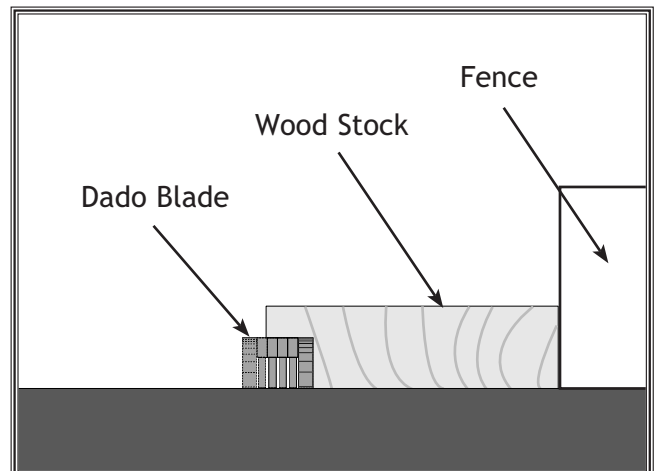


Figure 70. Rabbet cut.

CAUTION

We do not recommend using molding heads with this table saw unless you are properly trained by a qualified instructor. Molding heads carry an inherent danger that can result in a kickback or other dangerous situation that may cause personal injury!

Aftermarket Safety Accessories

Besides making your table saw experience more enjoyable, aftermarket or shop-made safety accessories can greatly increase your personal safety, and allow you to make difficult cuts with your table saw that you would not otherwise be able to make.

Here are some basic aftermarket items you might want to consider:

- **A Roller Table** (shown in **Figure 71**) or Roller Stand is designed to catch long boards during and after a cut. These accessories let the board easily glide off the saw table without causing a height difference. At the very least, a work table should be used for this same purpose. If a long piece of stock teeters over the edge of the table during a cut, a kickback may occur.
- **Anti-Kickback Devices** like the Boardbuddies® shown in **Figure 72** only allow the workpiece to move in one direction. If a kickback does occur, the wheels lock in place to stop or slow the movement of the workpiece.
- **Hold-Down Jigs** similar to the Right Angle Jig® shown in **Figure 73** allow the user to stabilize a cut beyond ordinary means. This is crucial for difficult cuts. Other cuts, like vertical dados, would also be extremely difficult and dangerous without the use of similar devices.
- **Push Sticks and Push Paddles** help keep your hand away from the moving blade. They also act as a barrier between your hand and the workpiece in the event of a kickback. These devices come in many different sizes and shapes. Pick those that offer safety and stability without sacrificing comfort and grip.



Figure 71. Out-feed roller table.

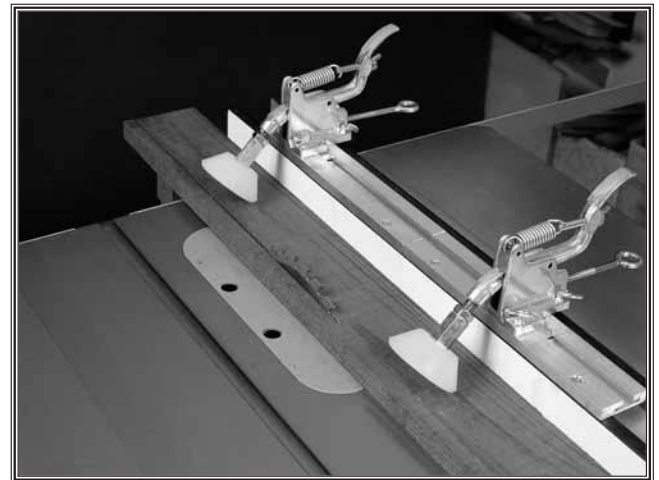


Figure 72. Anti-kickback devices.



Figure 73. Hold-down jig.

OPERATIONS

Shop-Made Safety Accessories

Shop-made safety accessories are another source of devices to use to increase your safety while operating the table saw. When care is taken with the setup and design, shop-made tools can be an invaluable resource for making the safest cuts possible.

Here are some of the basic items you may want to consider:

- **Push Sticks** made from the shop are very popular among table saw owners because they are inexpensive and easy to make. Particularly good are those that keep your hand a safe distance away from the blade, offer stable support and grip, and are comfortable in the hand. **Figure 74** shows an illustration of a simple push stick.
- **Featherboards** similar to the one in **Figure 75** make good anti-kickback devices. To use these, they must be clamped to the table or fence. The angled ends and flexibility of the fingers allow the workpiece to move in one direction and lock up if the workpiece moves backwards.
- **Zero-Clearance Table Inserts** can be purchased or made from wood and substituted for the factory inserts. The advantage in these devices is that there will only be as much space between the blade and the insert as the blade requires. Many woodworkers have a different insert for different heights and blades. Zero-clearance table inserts result in clean cuts with less tear-out and a reduced chance that a small piece of stock will be pulled down inside the saw or will be kicked back. **Figure 76** shows an example of a “blank” zero-clearance insert. When making a zero-clearance table insert, never hold the insert in place with your hands or try to lower the insert onto a moving blade. Hold or clamp the insert to the table with a sacrificial board, and use a smaller diameter blade to plunge the initial cut through the insert.

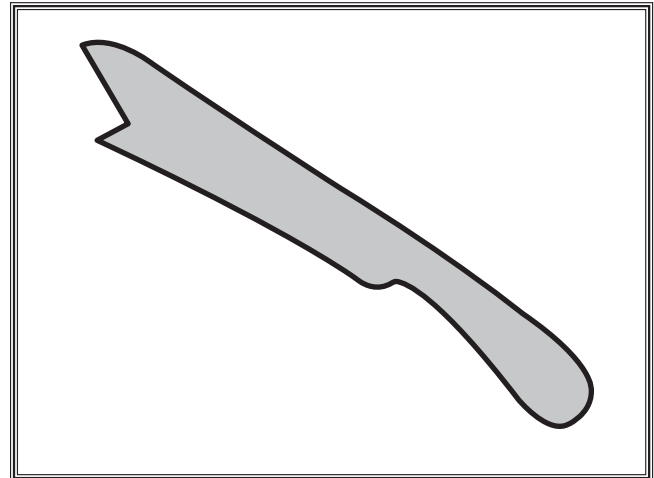


Figure 74. Illustration of a simple push stick.

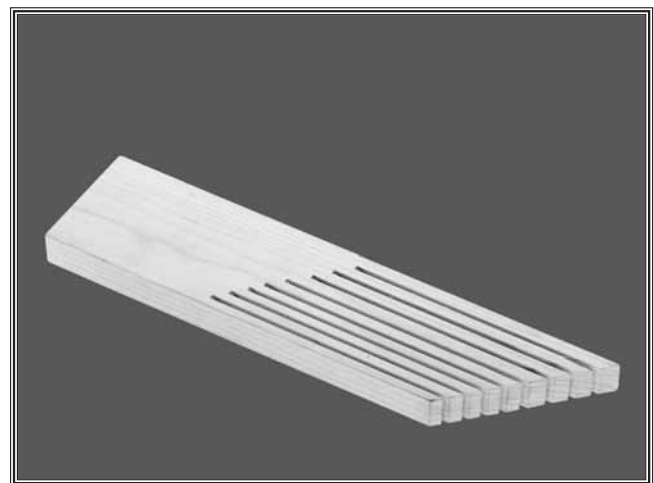


Figure 75. Anti-kickback featherboard.

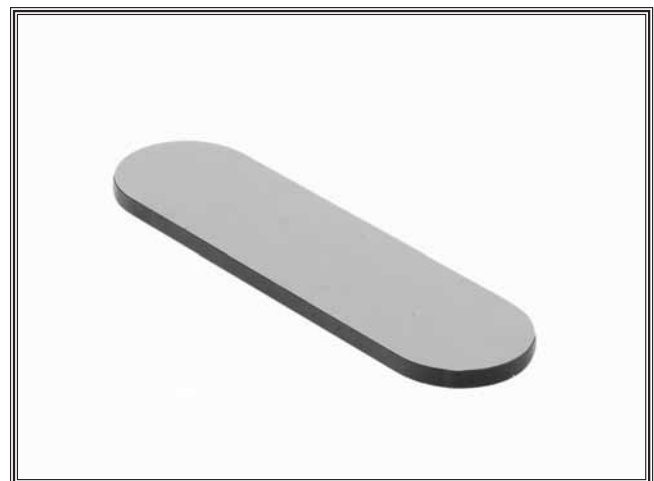
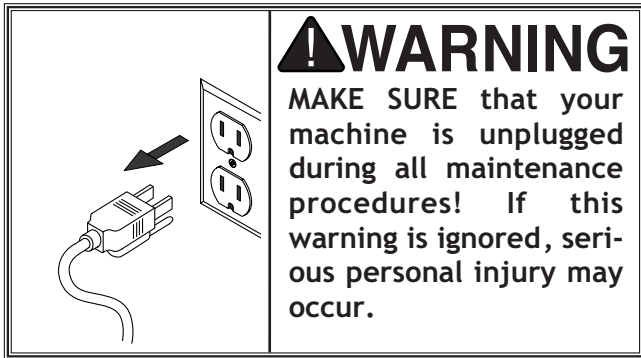


Figure 76. Zero-clearance table insert.

MAINTENANCE



General

Regular periodic maintenance on your **SHOP FOX®** Model W1703/W1714 Table Saw will ensure its optimum performance. Make a habit of inspecting your table saw each time you use it.

Check for the following conditions and repair or replace when necessary:

- Loose mounting bolts.
- Worn switch.
- Worn or damaged cords and plugs.
- Damaged V-belt.
- Any other condition that could hamper the safe operation of this machine.

Cleaning

Frequently blow-off sawdust with compressed air. This is especially important for the internal working parts and motor. Dust build-up around the motor is a sure way to decrease its life span.

Occasionally it will become necessary to clean the internal parts with more than compressed air. To do this, remove the table top and clean the internal parts with a citrus cleaner or mineral spirits and a stiff wire brush or steel wool. **DO NOT USE WATER—WATER WILL RUST CAST IRON.** Make sure the internal workings are dry before using the saw again, so that wood dust will not accumulate. If any essential lubrication is removed during cleaning, relubricate those areas.

Table & Base

Tables can be kept rust-free with regular applications of products like SLIPIT®. For long term storage you may want to consider products like Boeshield T-9™.

Lubrication

Since all bearings are sealed and permanently lubricated, simply leave them alone until they need to be replaced. Do not lubricate them.

The Model W1703/W1714 does need lubrication in other places. **Lubricate the following areas every six to twelve months according to frequency of use:**

- **Blade angling trunnions.** These should be lubricated with 6 or 7 drops of light machine oil.
- **Blade height trunnion.** This should also be lubricated with 6 or 7 drops of light machine oil.
- **The two worm gears** should be lubricated with either graphite or white lithium grease.

Service Log

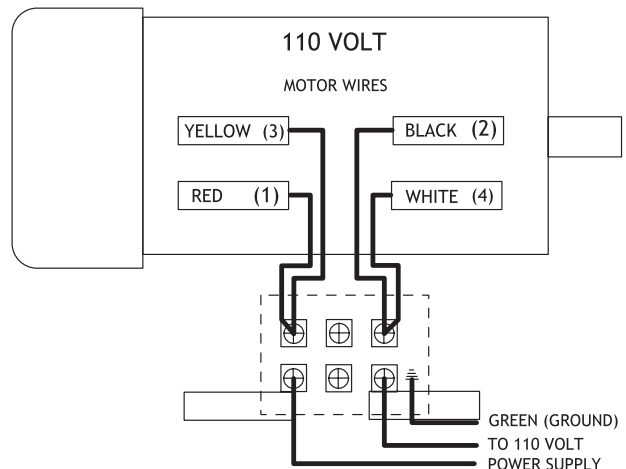
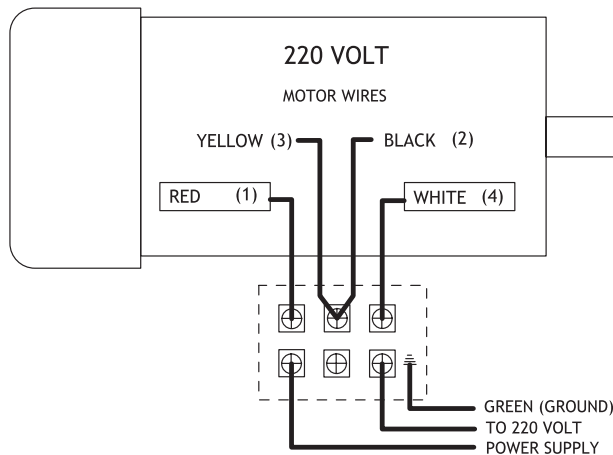
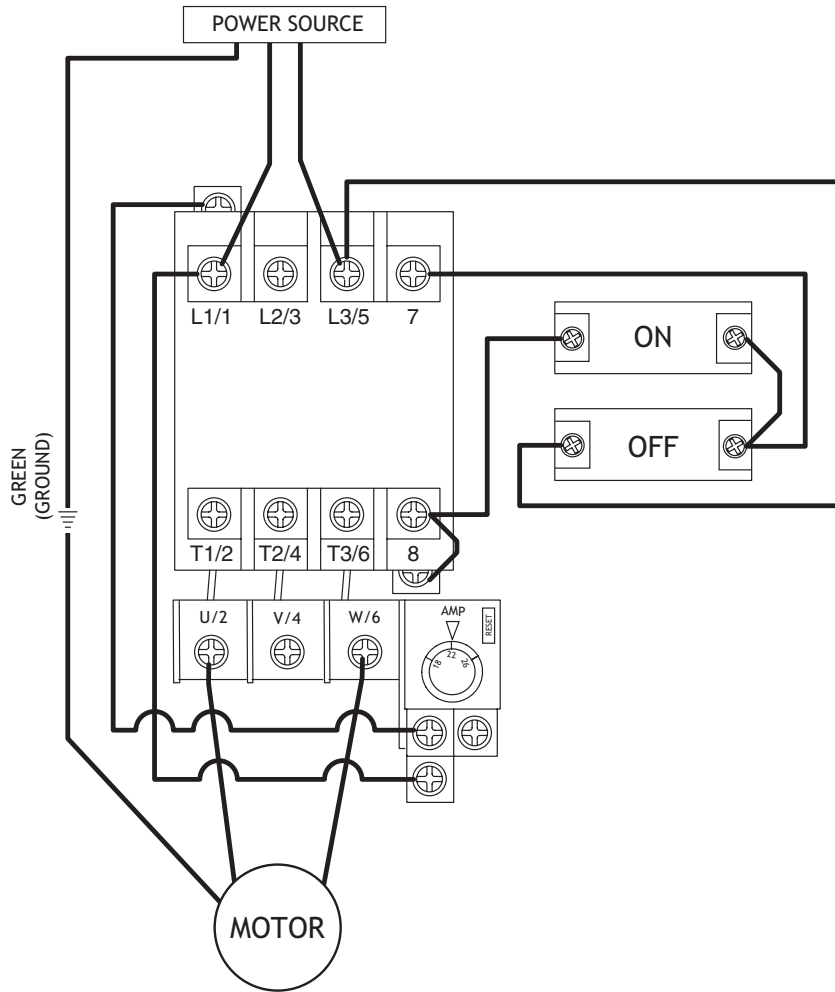
Date	Approximate Hours Of Use	Maintenance Performed

MAINTENANCE

W1703 WIRING DIAGRAM

⚠ DANGER

Disconnect power from the machine before performing any maintenance to the electrical components. Failure to do this will result in a shock hazard leading to injury or death.

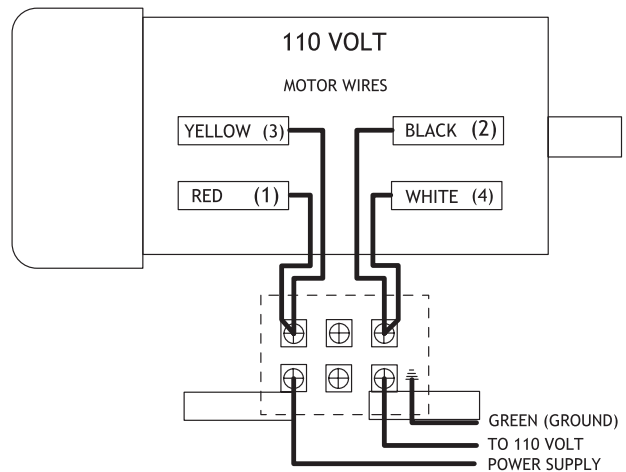
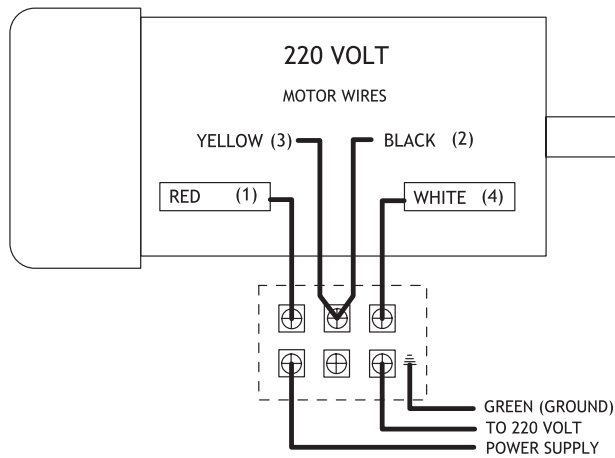
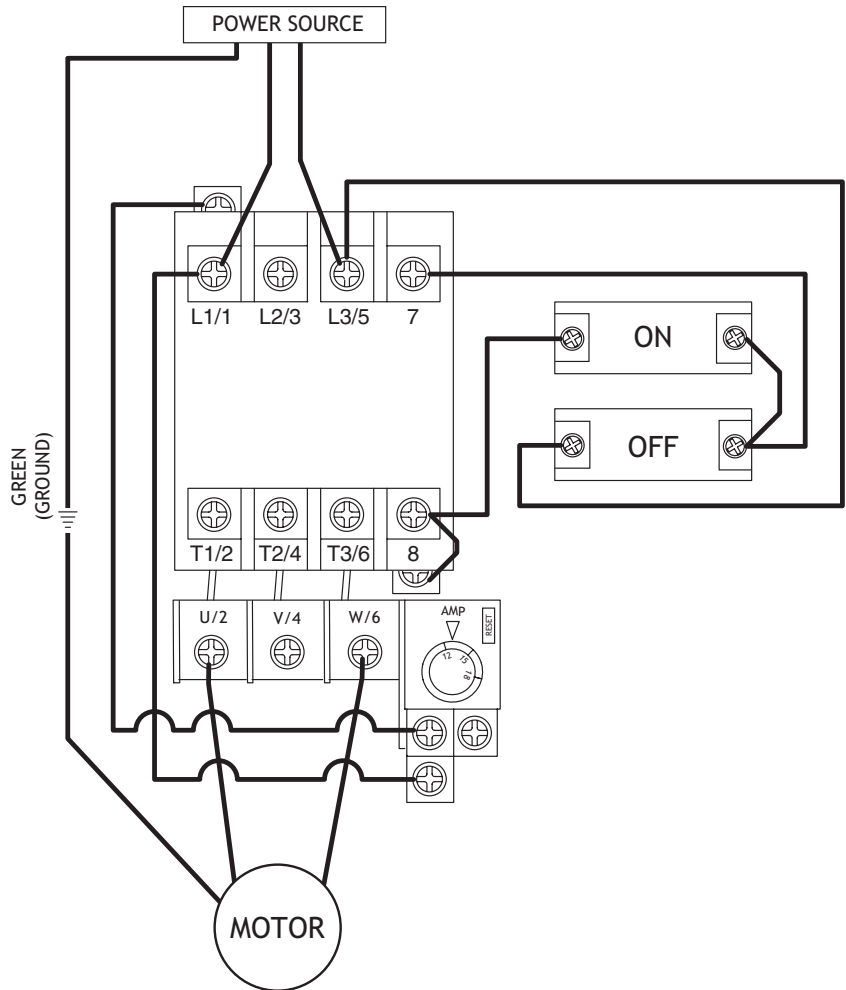


MAINTENANCE

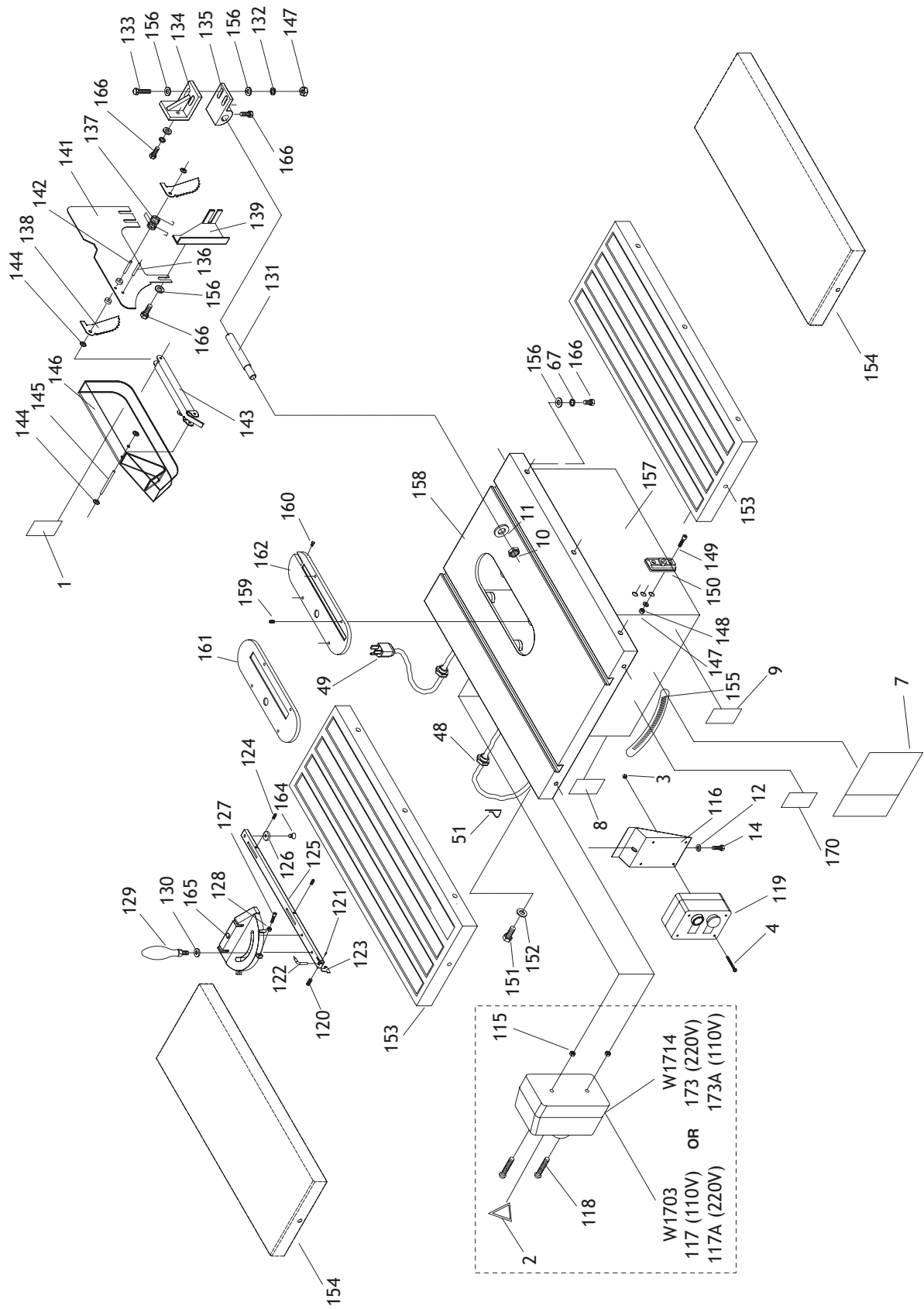


W1714 WIRING DIAGRAM

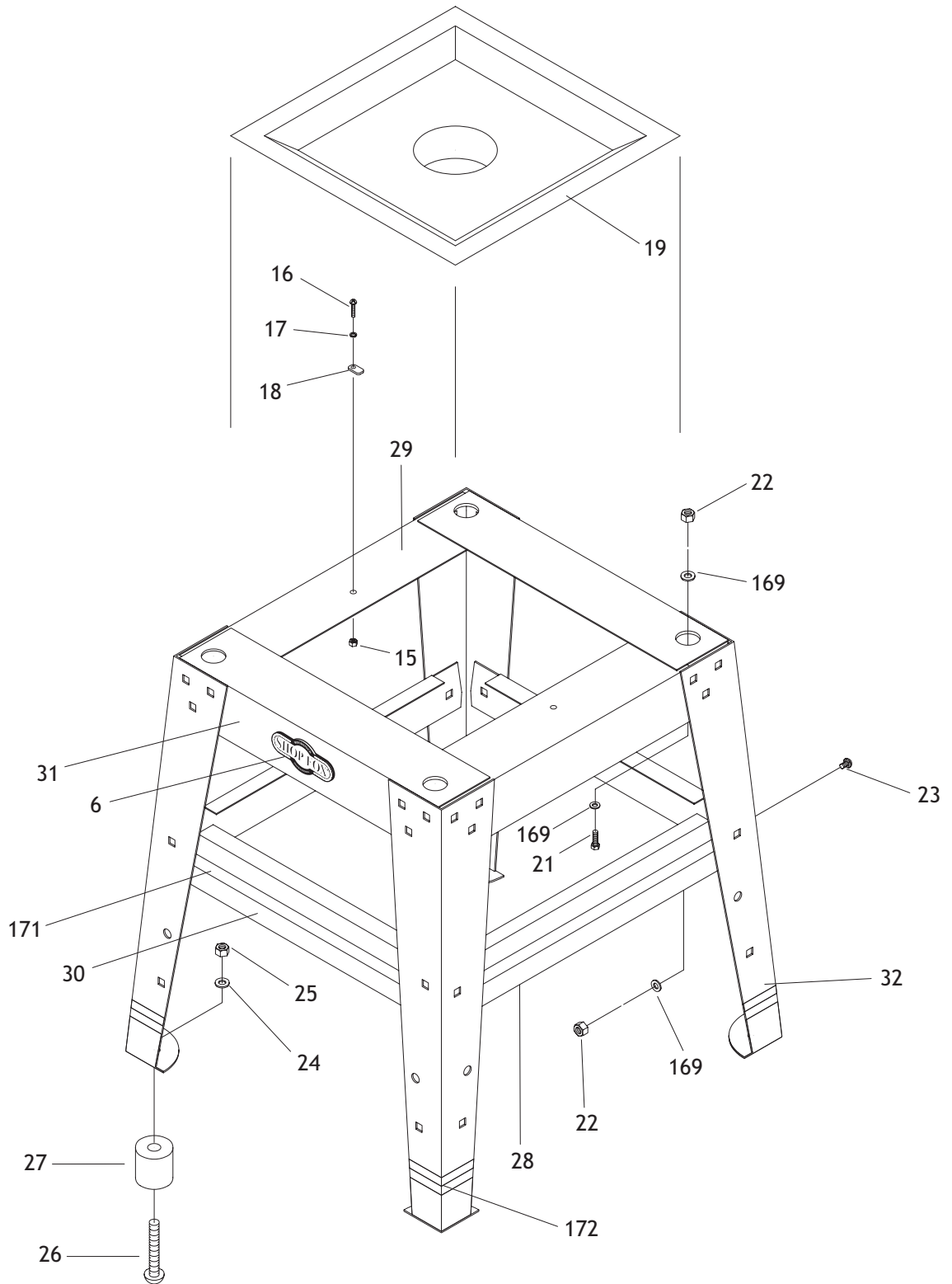
⚠ DANGER
 Disconnect power from the machine before performing any maintenance to the electrical components. Failure to do this will result in a shock hazard leading to injury or death.

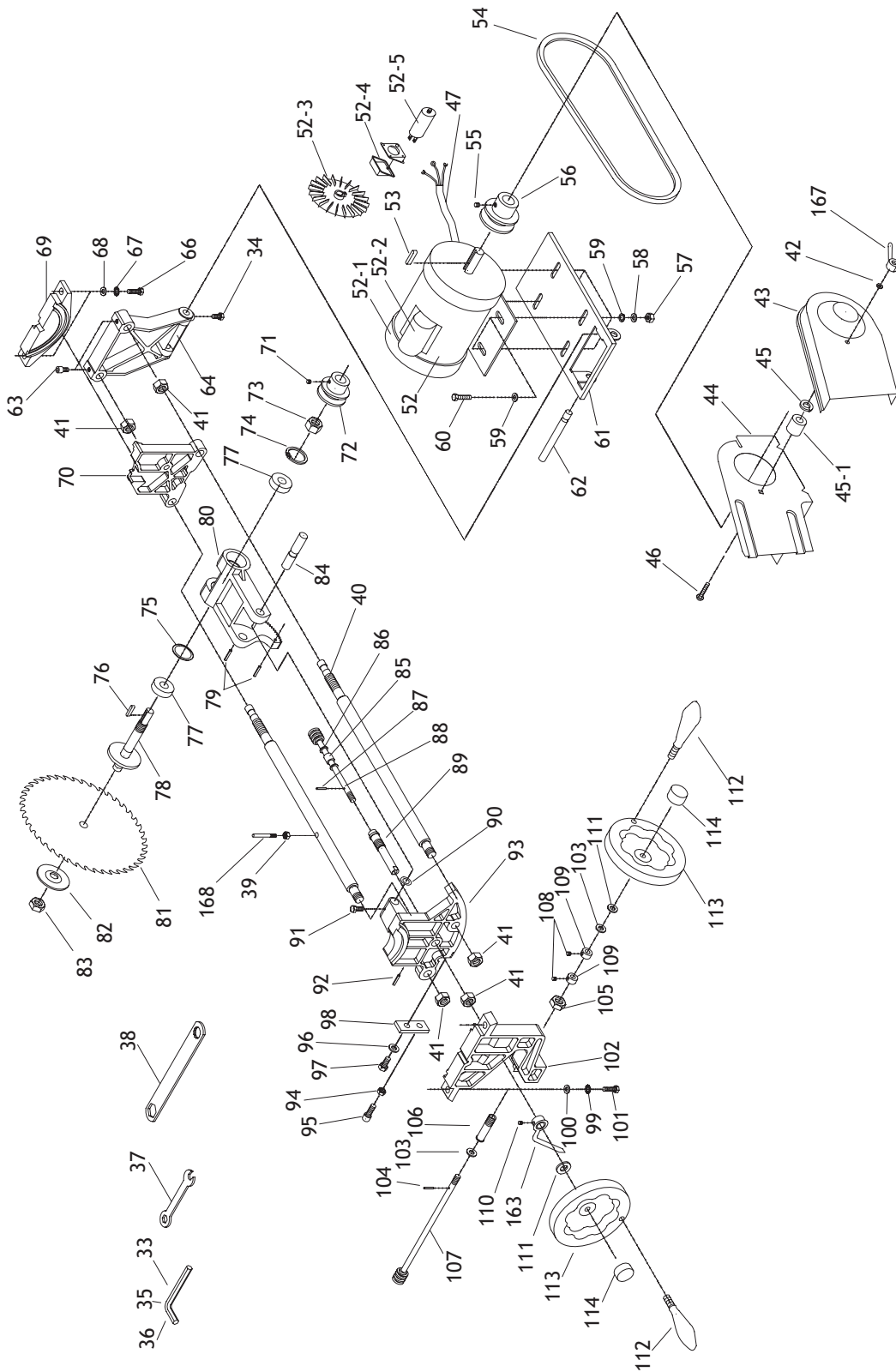


MAINTENANCE



SHOP FOX





REF	PART #	DESCRIPTION
1	X1703001	BLADE GUARD LABEL
2	X1703002	ELECTRIC LABEL
3	XPN14	HEX NUT 8-32
4	X1703004	TAP SCREW #10 X 1 1/2"
6	X1703006	SHOP FOX LOGO
7	X1703007	MACHINE LABEL
8	X1703008	WARNING LABEL- UNPLUG
9	X1703009	READ MANUAL LABEL
10	XPN06	HEX NUT 1/2-12
11	XPW01	FLAT WASHER 1/2"
12	XPW06	FLAT WASHER 1/4"
13	XPB05	HEX BOLT 1/4-20 X 3/4"
15	XPN07	HEX NUT 10-24
16	XPS22	PHLP HD SCR 10-24 X 5/8"
17	X1703017	GEAR WASHER
18	X1703018	TAB
19	W1005	DUST HOOD
21	XPB03	HEX BOLT 5/16-18 X 1
22	XPN02	HEX NUT 5/16-18
23	XPCB01	CARRIAGE BOLT 5/16-18 X 5/8"
24	XPW06	FLAT WASHER 1/4"
25	XPN05	HEX NUT 1/4-20
26	XPS19	PHLP HD SCR 1/4-20 X 1
27	X1703027	RUBBER FEET
28	X1703028	BOTTOM LONG BRACKET
29	X1703029	TOP LONG BRACKET
30	X1703030	BOTTOM SHORT BRACKET
31	X1703031	TOP SHORT BRACKET
32	X1703032	FOOT STAND
33	XPAW03M	ALLEN WRENCH 3MM
34	XPB05	HEX BOLT 1/4-20 X 3/4"
35	XPAW04M	ALLEN WRENCH 4MM
36	XPAW02M	ALLEN WRENCH 2MM
37	X1703037	OPEN END WRENCH 12MM
38	X1703038	COMBINATION WRENCH 23MM
39	XPN08	HEX NUT 3/8-16
40	X1703040	TIE ROD
41	XPN09	HEX NUT 5/8-18
42	X1703042	FIBER WASHER 5/16"
43	X1703043	GUARD COVER
44	X1703044	GUARD PLATE
45	XPEC07M	E-CLIP 7MM
45-1	X1703045-1	SPACER
46	XPCB09	CARRIAGE BOLT 5/16-18 X 1 3/4"
47	X1703047	MOTOR CORD/PLUG SET 14 AWG
47	X1714047	12 AWG MOTOR CORD/PLUG SET

REF	PART #	DESCRIPTION
48	X1703048	NYLON CLAMP PG-16
49	XPWRCRD110L	POWER CORD 110V, L/PLUG
49	XPWRCRD220L	POWER CORD 220V, 12AWG
50	X1703050	SWITCH CORD
51	X1703051	CABLE CLAMP UC-5
52	X1714052	MOTOR 2HP (W1714)
52	X1703052	MOTOR 1.5HP (W1703)
52-1	X1703052-1	FAN COVER
52-2	X1703052-2	CAPACITOR COVER
52-3	X1703052-3	MOTOR FAN
52-4	X1703052-4	WIRING BOX
52-5	XPC400A	CAPACITOR 400 MFD, 125 VAC
53	XPK23M	KEY 5 X 5 X 25
54	X1703054	V-BELT 3VX-470
55	XPSS11	SETSCREW 1/4-20 X 1/4"
56	X1703056	MOTOR PULLEY
57	XPN02	HEX NUT 5/16-18
58	XPLW01	LOCK WASHER 5/16"
59	XPW07	FLAT WASHER 5/16"
60	XPB03	HEX BOLT 5/16-18 X 1
61	X1703061	MOTOR PLATE
62	X1703062	MOTOR PLATE ROD
63	XPSS05	SETSCREW 5/16-18 X 1/4"
64	X1703064	MOTOR BRACKET
66	XPB03	HEX BOLT 5/16-18 X 1
67	XPLW01	LOCK WASHER 5/16"
68	XPW07	FLAT WASHER 5/16"
69	X1703069	REAR TRUNNION BRACKET
70	X1703070	REAR TRUNNION
71	XPSS05	SETSCREW 5/16-18 X 1/4"
72	X1703072	ARBOR PULLEY
73	X1703073	JAM NUT 5/8-24
74	XPR23M	INT RETAINING RING 40MM
75	X1703075	LOADING SPRING
76	XPK23M	KEY 5 X 5 X 25
77	XP6203	BALL BEARING 6203ZZ
78	X1703078	ARBOR
79	XPRP49M	ROLL PIN 5 X 25
80	X1703080	ARBOR BRACKET
81	X1703081	BLADE (NOT INCLUDED)
82	X1703082	FLANGE
83	X1703083	ARBOR NUT
84	X1703084	ARBOR BRACKET SHAFT
85	X1703085	SPACER
86	X1703086	FIBER WASHER
87	X1703087	ROLL PIN 3.5 X 20

REF	PART #	DESCRIPTION
88	X1703088	ELEVATING SHAFT
89	X1703089	ECCENTRIC
90	X1703090	WAVE WASHER
91	XPB32	HEX BOLT 5/16-18 X 5/8"
92	XPRP49M	ROLL PIN 5 X 25
93	X1703093	FRONT TRUNNION
94	XPN05	HEX NUT 1/4-20
95	XPSS16	SETSCREW 1/4-20 X 1 1/2"
96	XPW06	FLAT WASHER 1/4"
97	XPB05	HEX BOLT 1/4-20 X 3/4"
98	X1703098	STOP BLOCK
99	XPLW01	LOCK WASHER 5/16"
100	XPW07	FLAT WASHER 5/16"
101	XPB12	HEX BOLT 5/16-18 X 1 1/4"
102	X1703102	FRONT BRACKET
103	X1703103	FIBER WASHER
104	X1703104	ROLL PIN 3.5 X 20
105	X1703105	HEX NUT 9/16-20
106	X1703106	ECCENTRIC
107	X1703107	TILT SHAFT
108	XPSS11	SETSCREW 1/4-20 X 1/4"
109	X1703109	SET COLLAR
110	XPSS11	SETSCREW 1/4-20 X 1/4"
111	XPW02	FLAT WASHER 3/8"
112	X1703112	HAND WHEEL HANDLE
113	X1703113	HAND WHEEL
114	XPSW03-1	KNOB
115	XPN07	HEX NUT 10-24
116	X1703116	SWITCH FIXING PLATE
117	X1703117	MAGNETIC SWITCH ASSY 110V
117A	X1703117A	MAGNETIC SWITCH ASSY 220V
118	XPS10	PHLP HD SCR 10-24 X 1 1/2"
119	X1703119	START/STOP SWITCH ASSY
120	XPSS11	SETSCREW 1/4"-20 X 1/4"
121	XPRP61M	ROLL PIN 3 X 12
122	X1703122	POINTER
123	X1703123	STOP LINK
124	XPSS31	SETSCREW 10-24 X 5/8"
125	X1703125	MITER BAR
126	X1703126	SLIDING BLOCK
127	XPS21	PHLP HD SCR 8-32 X 3/4"
128	XPN14	HEX NUT 8-32
129	X1703129	HAND KNOB
130	XPW07	FLAT WASHER 5/16"
131	X1703131	GUARD SUPPORT SHAFT

REF	PART #	DESCRIPTION
132	XPLW01	LOCK WASHER 5/16"
133	XPB03	HEX BOLT 5/16-18 X 1
134A	X1703134A	BLD GUARD BRACKET ASSY
134	X1703134	BRACKET
135	X1703135	BRACKET
136	X1703136	ROLL PIN 8 X 20
137	X1703137	ANIT-KICK BACK SPRING
138	X1703138	ANTI-KICK BACK
139	X1703139	MOUNT
141	X1703141	SPLITTER
142	X1703142	PIN 6 X 30
143	X1703143	SUPPORTING ARM
144	X1703144	SPEED NUT 1/4"
145	X1703145	PIN 6 X 48
146	X1703146	BLADE GUARD
146A	X1703146A	BLADE GUARD ASSEMBLY
147	XPN02	HEX NUT 5/16-18
148	XPW07	FLAT WASHER 5/16"
149	XPFH14	FLAT HD SCR 5/16-18 X 3/4"
150	X1703150	BEARING BRACKET
151	XPB90	HEX BOLT 7/16-14 X 1 1/4"
152	XPLW05	LOCK WASHER 7/16"
153	X1703153	EXT WING - SHEET METAL
154	X1714154	EXT WING - CAST IRON
155	X1703155	SCALE
156	XPW07	FLAT WASHER 5/16"
157	X1703157	CABINET
158	X1703158	TABLE
159	XPSS04	SETSCREW 1/4-20 X 5/16"
160	X1703160	BUMPER
161	X1703161	DADO TABLE INSERT
162	X1703162	TABLE INSERT
163	X1703163	POINTER
164	XPFH09	FLAT HD SCR 1/4-20 X 5/16"
165	X1703165	MITER GAUGE BODY
165A	X1703165A	MITER GAUGE ASSEMBLY
166	XPB32	HEX BOLT 5/16-18 X 5/8"
167	XPWN03	WING NUT 5/16-18
168	X1703168	THRD SHAFT 3/8-16 X 2 7/8"
169	XPW07	FLAT WASHER 5/16"
170	X1703170	WARN LABEL- SAFETY GLASSES
171	X1703171	STAND STRIPE STICKERS
172	X1703172	STAND STRIPE STICKERS
173	X1714173	MAGNETIC SWITCH ASSY 220V
173A	X1714173A	MAGNETIC SWITCH ASSY 110V

WARRANTY CARD

Name _____
 Street _____
 City _____ State _____ Zip _____
 Phone Number _____ E-Mail _____ FAX _____
 MODEL # _____ Serial # _____

The following information is given on a voluntary basis and is strictly confidential.

CUT ALONG DOTTED LINE

1. Where did you purchase your **SHOP FOX®** machine?

2. How did you first learn about us?

<input type="checkbox"/> Advertisement <input type="checkbox"/> Mail order Catalog <input type="checkbox"/> World Wide Web Site <input type="checkbox"/> Other _____	<input type="checkbox"/> Friend <input type="checkbox"/> Local Store <input type="checkbox"/> Other _____
---	---
3. Which of the following magazines do you subscribe to.

<input type="checkbox"/> American Woodworker <input type="checkbox"/> Cabinetmaker <input type="checkbox"/> Family Handyman <input type="checkbox"/> Fine Homebuilding <input type="checkbox"/> Fine Woodworking <input type="checkbox"/> Home Handyman <input type="checkbox"/> Journal of Light Construction <input type="checkbox"/> Old House Journal <input type="checkbox"/> Popular Mechanics <input type="checkbox"/> Popular Science <input type="checkbox"/> Popular Woodworking <input type="checkbox"/> Other _____	<input type="checkbox"/> Today's Homeowner <input type="checkbox"/> WOOD <input type="checkbox"/> Wooden Boat <input type="checkbox"/> Woodshop News <input type="checkbox"/> Woodsmith <input type="checkbox"/> Woodwork <input type="checkbox"/> Woodworker <input type="checkbox"/> Woodworker's Journal <input type="checkbox"/> Workbench <input type="checkbox"/> American How-To
--	--
4. Which of the following woodworking/remodeling shows do you watch?

<input type="checkbox"/> Backyard America <input type="checkbox"/> Home Time <input type="checkbox"/> The American Woodworker <input type="checkbox"/> Other _____	<input type="checkbox"/> The New Yankee Workshop <input type="checkbox"/> This Old House <input type="checkbox"/> Woodwright's Shop
---	---
5. What is your annual household income?

<input type="checkbox"/> \$20,000-\$29,999 <input type="checkbox"/> \$30,000-\$39,999 <input type="checkbox"/> \$40,000-\$49,999 <input type="checkbox"/> \$50,000-\$59,999	<input type="checkbox"/> \$60,000-\$69,999 <input type="checkbox"/> \$70,000-\$79,999 <input type="checkbox"/> \$80,000-\$89,999 <input type="checkbox"/> \$90,000 +
--	---
6. What is your age group?

<input type="checkbox"/> 20-29 <input type="checkbox"/> 30-39 <input type="checkbox"/> 40-49	<input type="checkbox"/> 50-59 <input type="checkbox"/> 60-69 <input type="checkbox"/> 70 +
--	---
7. How long have you been a woodworker?

<input type="checkbox"/> 0 - 2 Years <input type="checkbox"/> 2 - 8 Years	<input type="checkbox"/> 8 - 20 Years <input type="checkbox"/> 20+ Years
--	---
8. How would you rank your woodworking skills?

<input type="checkbox"/> Simple <input type="checkbox"/> Intermediate	<input type="checkbox"/> Advanced <input type="checkbox"/> Master Craftsman
--	--
9. How many **SHOP FOX®** machines do you own? _____
10. What stationary woodworking tools do you own? Check all that apply.

<input type="checkbox"/> Air Compressor <input type="checkbox"/> Band Saw <input type="checkbox"/> Drill Press <input type="checkbox"/> Drum Sander <input type="checkbox"/> Dust Collector <input type="checkbox"/> Horizontal Boring Machine <input type="checkbox"/> Jointer <input type="checkbox"/> Lathe <input type="checkbox"/> Mortiser <input type="checkbox"/> Other _____	<input type="checkbox"/> Panel Saw <input type="checkbox"/> Planer <input type="checkbox"/> Power Feeder <input type="checkbox"/> Radial Arm Saw <input type="checkbox"/> Shaper <input type="checkbox"/> Spindle Sander <input type="checkbox"/> Table Saw <input type="checkbox"/> Vacuum Veneer Press <input type="checkbox"/> Wide Belt Sander
--	--
11. Which benchtop tools do you own? Check all that apply.

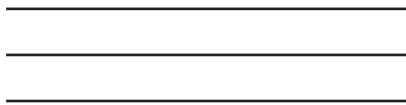
<input type="checkbox"/> 1" x 42" Belt Sander <input type="checkbox"/> 5" - 8" Drill Press <input type="checkbox"/> 8" Table Saw <input type="checkbox"/> 8" - 10" Bandsaw <input type="checkbox"/> Disc/Belt Sander <input type="checkbox"/> Mini Jointer <input type="checkbox"/> Other _____	<input type="checkbox"/> 6" - 8" Grinder <input type="checkbox"/> Mini Lathe <input type="checkbox"/> 10" - 12" Thickness Planer <input type="checkbox"/> Scroll Saw <input type="checkbox"/> Spindle/Belt Sander
---	---
12. Which portable/hand held power tools do you own? Check all that apply.

<input type="checkbox"/> Belt Sander <input type="checkbox"/> Biscuit Joiner <input type="checkbox"/> Circular Saw <input type="checkbox"/> Detail Sander <input type="checkbox"/> Drill/Driver <input type="checkbox"/> Miter Saw <input type="checkbox"/> Other _____	<input type="checkbox"/> Orbital Sander <input type="checkbox"/> Palm Sander <input type="checkbox"/> Portable Planer <input type="checkbox"/> Saber Saw <input type="checkbox"/> Reciprocating Saw <input type="checkbox"/> Router
---	--
13. What machines/supplies would you like to see?

14. What new accessories would you like Woodstock International to carry?

15. Do you think your purchase represents good value?
 Yes No
16. Would you recommend **SHOP FOX®** products to a friend?
 Yes No
17. Comments: _____

FOLD ALONG DOTTED LINE



Place
Stamp
Here



WOODSTOCK INTERNATIONAL, INC.
P.O. BOX 2309
BELLINGHAM, WA 98227-2309



FOLD ALONG DOTTED LINE

TAPE ALONG EDGES--PLEASE DO NOT STAPLE

Free Manuals Download Website

<http://myh66.com>

<http://usermanuals.us>

<http://www.somanuals.com>

<http://www.4manuals.cc>

<http://www.manual-lib.com>

<http://www.404manual.com>

<http://www.luxmanual.com>

<http://aubethermostatmanual.com>

Golf course search by state

<http://golfingnear.com>

Email search by domain

<http://emailbydomain.com>

Auto manuals search

<http://auto.somanuals.com>

TV manuals search

<http://tv.somanuals.com>