

MODEL W1811 10" SLIDING TABLE SAW



OWNER'S MANUAL

Phone: (360) 734-3482 • Online Technical Support: tech-support@shopfox.biz

COPYRIGHT © NOVEMBER, 2008 BY WOODSTOCK INTERNATIONAL, INC.
**WARNING: NO PORTION OF THIS MANUAL MAY BE REPRODUCED IN ANY SHAPE OR FORM WITHOUT
THE WRITTEN APPROVAL OF WOODSTOCK INTERNATIONAL, INC.**

#11153TR

Printed in Taiwan

WARNING!

This manual provides critical safety instructions on the proper setup, operation, maintenance and service of this machine/equipment.

Failure to read, understand and follow the instructions given in this manual may result in serious personal injury, including amputation, electrocution or death.

The owner of this machine/equipment is solely responsible for its safe use. This responsibility includes but is not limited to proper installation in a safe environment, personnel training and usage authorization, proper inspection and maintenance, manual availability and comprehension, application of safety devices, blade/cutter integrity, and the usage of personal protective equipment.

The manufacturer will not be held liable for injury or property damage from negligence, improper training, machine modifications or misuse.

WARNING!

Some dust created by power sanding, sawing, grinding, drilling, and other construction activities contains chemicals known to the State of California to cause cancer, birth defects or other reproductive harm. Some examples of these chemicals are:

- Lead from lead-based paints.
- Crystalline silica from bricks, cement and other masonry products.
- Arsenic and chromium from chemically-treated lumber.

Your risk from these exposures varies, depending on how often you do this type of work. To reduce your exposure to these chemicals: Work in a well ventilated area, and work with approved safety equipment, such as those dust masks that are specially designed to filter out microscopic particles.

Contents

INTRODUCTION	2	MAINTENANCE	52
Woodstock Technical Support	2	Schedule	52
Overview of Machine	2	Cleaning	52
Controls and Features	3	Table & Base	52
Machine Specifications	4	Lubrication	53
Sliding Table Saw Capacities	6	SERVICE	54
SAFETY	7	General	54
Standard Machinery Safety	7	Belt Service	54
Additional Safety for Sliding Table Saws	9	Blade Tilt Calibration.....	55
Preventing Kickback	10	Sliding Table Parallelism	56
Protecting Yourself From Kickback	10	Sliding Table Adjustment.....	57
Glossary Of Terms	11	Calibrating Crosscut Fence 90° Stops.....	58
ELECTRICAL	12	Electrical Safety Instructions.....	59
220V Single-Phase Operation	12	Wiring Diagram	60
Extension Cords	12	Electrical Pictures.....	61
Electrical Specifications	12	Troubleshooting.....	62
SETUP	13	PARTS	64
Items Needed for Setup.....	13	Labels & Cosmetics	64
Unpacking	13	Cabinet	65
Inventory	14	Trunnion	66
Machine Placement	16	Main Motor	67
Cleaning Machine.....	16	Tables	71
Lifting & Moving.....	17	Rip Fence	72
Assembly & Setup	18	Handwheels	73
Dust Collection	27	Scoring Trunnion.....	74
Power Connection.....	28	Crosscut Table	75
Test Run.....	28	Swing Arm	76
OPERATIONS	30	Miter Gauge.....	77
General	30	Crosscut Fence	78
Safety Habits.....	30	WARRANTY	81
Workpiece Inspection.....	31		
Non-Through & Through Cuts	32		
Main Blade Installation.....	33		
Blade Guard.....	34		
Riving Knife	35		
Riving Knife Adjustment.....	36		
Scoring Blade Installation & Adjustment ...	37		
Dado Blade Installation	38		
Rip Cutting	40		
Crosscutting.....	42		
Miter Cutting.....	44		
Dado Cutting	45		
Rabbet Cutting	47		
Resaw Cutting.....	49		
Shop-Made Safety Accessories.....	51		

USE THE QUICK GUIDE PAGE LABELS TO SEARCH OUT INFORMATION FAST!





INTRODUCTION

Woodstock Technical Support

This machine has been specially designed to provide many years of trouble-free service. Close attention to detail, ruggedly built parts and a rigid quality control program assure safe and reliable operation.

Woodstock International, Inc. is committed to customer satisfaction. Our intent with this manual is to include the basic information for safety, setup, operation, maintenance, and service of this product.

We stand behind our machines! In the event that questions arise about your machine, please contact Woodstock International Technical Support at (360) 734-3482 or send e-mail to: tech-support@shopfox.biz. Our knowledgeable staff will help you troubleshoot problems and process warranty claims.

If you need the latest edition of this manual, you can download it from <http://www.shopfox.biz>.
If you have comments about this manual, please contact us at:

Woodstock International, Inc.
Attn: Technical Documentation Manager
P.O. Box 2309
Bellingham, WA 98227
Email: manuals@woodstockint.com

Overview of Machine

A sliding table saw is primarily used to rip and crosscut sheet stock or panels in a production setting. The sliding table makes it much easier and safer to feed these large workpieces through a cut. This saw can also be used as a traditional table saw for most types of through-cuts.

The primary components of a sliding table saw are the sliding table, the fixed table, the crosscut table and fence, the rip fence, the main blade and the scoring blade.

A typical cut using the sliding table is made by placing the workpiece on the sliding table and crosscut table, positioning it against the crosscut fence where needed so the waste portion of the workpiece is on the opposite side of the blade, and pushing the workpiece through the blade by sliding the table.

The scoring blade may or may not be used, depending on if the workpiece is faced with laminate, melamine, or other solid surface material, or if tear-out free cuts are required. If the scoring blade is not needed for cutting operations, it can be lowered under the table so it will stay sharp for later operations.

When using the sliding table saw as a traditional table saw, the sliding table is locked in place and the rip fence is then used to guide the workpiece through the cut.

In order to produce accurate results, the sliding table must move parallel to the blade and the scoring blade must be aligned with the main blade. Similarly, the rip fence must be parallel with the main blade and the crosscut fence must be calibrated to the main blade.

Controls and Features

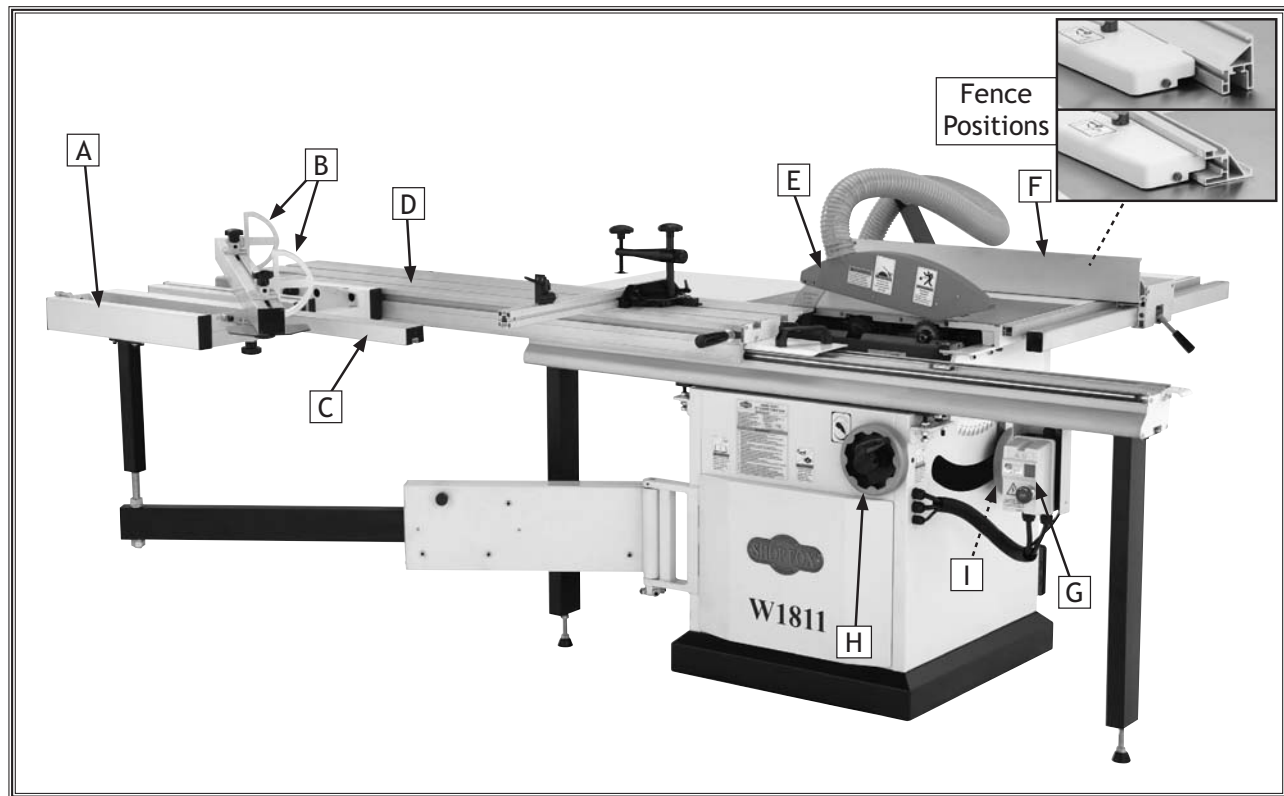


Figure 1. Main view of machine features and controls.

- A. **Crosscut Table:** Provides a wide, stable platform for supporting full-size panels during crosscutting operations. Also features an angle scale for cutting miters with the crosscut fence.
- B. **Flip Stops:** Used for quick measurements when crosscutting.
- C. **Crosscut Fence:** Used during crosscutting operations. Features a scale and multiple flip-style stop blocks (a.k.a. "flip stops") for precise, repeatable crosscutting operations. Can also be set up for miter cuts.
- D. **Sliding Table:** Conveniently glides the workpiece through the blade with effortless precision and ease.
- E. **Blade Guard:** Fully-adjustable blade guard maintains maximum protection around the saw blade and a 2½" dust port effectively extracts dust from the cutting operation.
- F. **Rip Fence:** Fence face can be positioned for standard cutting operations, or in the lower position for blade guard clearance during narrow ripping operations.
- G. **ON/OFF Switch:** Starts and stops main blade and scoring blade motors. Features an OFF switch that must be reset between starting and stopping machine.
- H. **Blade Angle Handwheel:** Adjusts the angle of the saw blades.
- I. **Blade Elevation Handwheel:** Located on the right-hand side of the cabinet, this handwheel adjusts the height of the main saw blade.



MACHINE SPECIFICATIONS



Phone #: (360) 734-3482 • Online Tech Support: tech-support@shopfox.biz • Web: www.shopfox.biz

MODEL W1811 10" SLIDING TABLE SAW

Motor

Type	TEFC Capacitor Start Induction
Horsepower	5 HP
Voltage	220V
Phase	Single
Amps	22A
Speed	3450 RPM
Cycle	60 Hz
Number Of Speeds	1
Power Transfer	V-Belt Drive
Bearings	Sealed and Lubricated

Main Specifications

Capacities

Main Blade Arbor Diameter	$\frac{5}{8}$ "
Main Blade Arbor Speed	4000 RPM
Main Blade Diameter	10"
Maximum Depth Of Cut At 90°	$3\frac{1}{8}$ "
Maximum Depth Of Cut At 45°	$2\frac{1}{4}$ "
Blade Tilt	0° -45°
Maximum Ripping Width With Standard Rip Fence	33"
Maximum Cross Cutting Width With Crosscut Fence	$78\frac{1}{2}$ "
Maximum Cross Cutting Length With Crosscut Fence	63"
Scoring Blade Arbor Diameter	22mm
Scoring Blade Arbor Speed	8000 RPM
Scoring Blade Diameter	$3\frac{1}{8}$ "
Maximum Dado Width	$\frac{13}{16}$ "

Overall Dimensions

Weight	533 lbs.
Length	76"
Width	$124\frac{3}{4}$ "
Height	46"
Foot Print with Legs (Width/Depth)	60" x 28"
Cabinet Footprint (Width/Depth)	$25\frac{1}{2}$ " x 28"
Table Size without Extension Wings (Length/Width)	27" x $14\frac{3}{8}$ "
Table Size with Extension Wings (Length/Width)	47" x 40"
Sliding Table Size (Length/Width)	63" x $12\frac{1}{4}$ "
Crosscut Fence Size (Length/Width)	$78\frac{1}{2}$ " x $1\frac{1}{2}$ "

Construction Materials

Sliding Table	Aluminum
Machine Frame	Steel
Fences	Extruded Aluminum Side, Aluminum Body
Rails	Hardened Steel
Trunnions	Cast Iron
Arbor Bearings	Sealed And Lubricated Ball Bearings



Shipping Dimensions

Number of Crates	2
Type	Cardboard/Wood
Content	Machine
Crate 1 Length/Width/Height	46" x 42" x 44"
Crate 1 Weight	528 lbs.
Crate 2 Length/Width/Height	67" x 18 1/2" x 10"
Crate 2 Weight	117 lbs.

Electrical

Switch Type	Magnetic With Thermal Overload Protection
Switch Voltage	220V
Cord Provided	No
Recommended Cord	10 gauge, 3 Wire, 300VAC
Recommended Circuit Size	30A
Plug Provided	No
Recommended Plug Type	L6-30

Other

Number of Dust Ports	2
Dust Port Size	2 1/2" with Blade Guard, 4" Main"
Customer Assembly Time	Approximately 1 1/2 Hours
Warranty	2 Year
Country of Origin	Taiwan

Features

- Blade Guard With 2 1/2" Dust Port
- 4" Main Dust Port
- Adjustable Scoring Knife Kerf
- Adjustable Riving Knife
- Single Lever Locking Fence

SLIDING TABLE SAW CAPACITIES



Phone #: (360) 734-3482 • Online Tech Support: tech-support@shopfox.biz • Web: www.shopfox.biz

MODEL W1811 10" SLIDING TABLE SAW

<p>Ripping Width</p> <p>33"</p>	<p>Cross Cut</p> <p>78-1/2"</p> <p>63"</p>
<p>Miter Cut 90° (push cut)</p> <p>78-3/4"</p> <p>37"</p>	<p>Miter Cut 45° (push cut)</p> <p>31-1/2"</p> <p>78-3/4"</p> <p>44"</p>
<p>Miter Cut 45°</p> <p>78-3/4"</p> <p>63"</p> <p>48"</p>	<p>Cross Cut (fence not extended)</p> <p>63"</p> <p>48-3/4"</p>
<p>Miter Cut 45° (push cut, fence not extended)</p> <p>31-1/2"</p> <p>48-3/4"</p> <p>44-1/2"</p>	<p>Miter Cut 45° (fence not extended)</p> <p>50"</p> <p>68"</p> <p>48"</p>

SAFETY

**READ MANUAL BEFORE OPERATING MACHINE.
FAILURE TO FOLLOW INSTRUCTIONS BELOW WILL
RESULT IN PERSONAL INJURY.**



Indicates an imminently hazardous situation which, if not avoided, WILL result in death or serious injury.



Indicates a potentially hazardous situation which, if not avoided, COULD result in death or serious injury.



Indicates a potentially hazardous situation which, if not avoided, MAY result in minor or moderate injury.

NOTICE

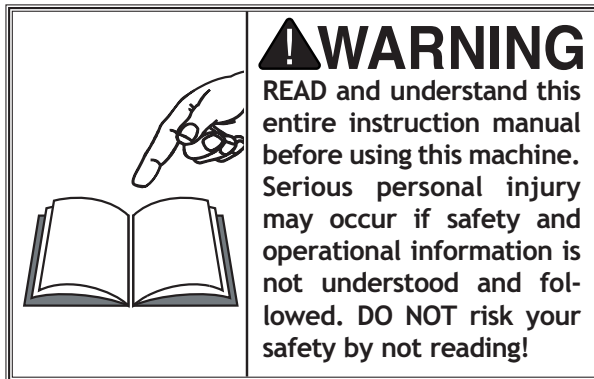
This symbol is used to alert the user to useful information about proper operation of the equipment, and/or a situation that may cause damage to the machinery.

Standard Safety Instructions

1. **READ THROUGH THE ENTIRE MANUAL BEFORE STARTING MACHINERY.** Machinery presents serious injury hazards to untrained users.
2. **ALWAYS USE ANSI APPROVED SAFETY GLASSES WHEN OPERATING MACHINERY.** Everyday eyeglasses only have impact resistant lenses—they are NOT safety glasses.
3. **ALWAYS WEAR A NIOSH APPROVED RESPIRATOR WHEN OPERATING MACHINERY THAT PRODUCES DUST.** Wood dust is a carcinogen and can cause cancer and severe respiratory illnesses.
4. **ALWAYS USE HEARING PROTECTION WHEN OPERATING MACHINERY.** Machinery noise can cause permanent hearing damage.
5. **WEAR PROPER APPAREL.** DO NOT wear loose clothing, gloves, neckties, rings, or jewelry which may get caught in moving parts. Wear protective hair covering to contain long hair and wear non-slip footwear.
6. **NEVER OPERATE MACHINERY WHEN TIRED, OR UNDER THE INFLUENCE OF DRUGS OR ALCOHOL.** Be mentally alert at all times when running machinery.
7. **ONLY ALLOW TRAINED AND PROPERLY SUPERVISED PERSONNEL TO OPERATE MACHINERY.** Make sure operation instructions are safe and clearly understood.
8. **KEEP CHILDREN AND VISITORS AWAY.** Keep all children and visitors a safe distance from the work area.
9. **MAKE WORKSHOP CHILD PROOF.** Use padlocks, master switches, and remove start switch keys.

10. **NEVER LEAVE WHEN MACHINE IS RUNNING.** Turn power **OFF** and allow all moving parts to come to a complete stop before leaving machine unattended.
11. **DO NOT USE IN DANGEROUS ENVIRONMENTS.** DO NOT use machinery in damp, wet locations, or where any flammable or noxious fumes may exist.
12. **KEEP WORK AREA CLEAN AND WELL LIT.** Clutter and dark shadows may cause accidents.
13. **USE A GROUNDED EXTENSION CORD RATED FOR THE MACHINE AMPERAGE.** Undersized cords over-heat and lose power. Replace extension cords if they become damaged. DO NOT use extension cords for 220V machinery.
14. **ALWAYS DISCONNECT FROM POWER SOURCE BEFORE SERVICING MACHINERY.** Make sure switch is in OFF position before reconnecting.
15. **MAINTAIN MACHINERY WITH CARE.** Keep blades sharp and clean for best and safest performance. Follow instructions for lubricating and changing accessories.
16. **MAKE SURE GUARDS ARE IN PLACE AND WORK CORRECTLY BEFORE USING MACHINERY.**
17. **REMOVE ADJUSTING KEYS AND WRENCHES.** Make a habit of checking for keys and adjusting wrenches before turning machinery **ON**.
18. **CHECK FOR DAMAGED PARTS BEFORE USING MACHINERY.** Check for binding and alignment of parts, broken parts, part mounting, loose bolts, and any other conditions that may affect machine operation. Repair or replace damaged parts.
19. **USE RECOMMENDED ACCESSORIES.** Refer to the instruction manual for recommended accessories. The use of improper accessories may cause risk of injury.
20. **DO NOT FORCE MACHINERY.** Work at the speed for which the machine or accessory was designed.
21. **SECURE WORKPIECE.** Use clamps or a vise to hold the workpiece when practical. A secured workpiece protects your hands and frees both hands to operate the machine.
22. **DO NOT OVERREACH.** Keep proper footing and balance at all times.
23. **MANY MACHINES WILL EJECT THE WORKPIECE TOWARD THE OPERATOR.** Know and avoid conditions that cause the workpiece to "kickback."
24. **ALWAYS LOCK MOBILE BASES (IF USED) BEFORE OPERATING MACHINERY.**
25. **BE AWARE THAT CERTAIN DUST MAY BE HAZARDOUS** to the respiratory systems of people and animals, especially fine dust. Make sure you know the hazards associated with the type of dust you will be exposed to and always wear a respirator approved for that type of dust.

Additional Safety for Sliding Table Saws



1. **SAFETY ACCESSORIES.** Always use the blade guard and riving knife on all "through-sawing" operations. *Through-sawing operations are those when the blade cuts completely through the workpiece.*
2. **KICKBACK.** Be familiar with kickback. Kickback happens when the workpiece is thrown towards the operator at a high rate of speed. *Until you have a clear understanding of kickback and how it occurs, DO NOT operate this table saw!*
3. **WORKPIECE CONTROL.** Make sure the workpiece is placed in a stable position on the table and is either supported by the rip fence or the crosscut table during cutting operations.
4. **PUSH STICK.** Always use a push stick when ripping narrow stock.
5. **OPERATOR POSITION.** Never stand or have any part of your body directly in-line with the cutting path of the saw blade.
6. **REACHING OVER SAW BLADE.** Never reach behind or over the blade with either hand while the saw is running. *If kickback occurs while reaching over the blade, hands or arms could be pulled into the spinning saw blade.*
7. **USING THE RIP FENCE AND THE CROSSCUT FENCE TOGETHER DURING A CUTTING OPERATION.** When using the crosscut fence, the workpiece should never be contacting the rip fence while the saw blade is cutting.
8. **STALLED BLADE.** Turn the saw **OFF** before attempting to "free" a stalled saw blade.
9. **COMFORTABLE CUTTING OPERATIONS.** Avoid awkward operations and hand positions where a sudden slip could cause your hand to move into the spinning saw blade.
10. **EXPERIENCING DIFFICULTIES.** If at any time you are experiencing difficulties performing the intended operation, stop using the machine! Contact Tech Support at (360) 734-3482.
11. **BLADE HEIGHT.** **DO NOT** make cuts with the blade height more than 1/4" above the top of the workpiece, or the operator will be unnecessarily exposed to the blade during the cut.
12. **DAMAGED SAW BLADES.** Never use blades that have been dropped or otherwise damaged.
13. **RIVING KNIFE ALIGNMENT.** Only operate the saw if the riving knife is aligned with the main blade.

Preventing Kickback

Below are preventative measures to avoid the most common causes of kickback:

- Only cut workpieces with at least one smooth and straight edge. DO NOT cut warped, cupped or twisted wood.
- Never attempt freehand cuts. If the workpiece is not fed parallel with the blade, kickback will likely occur. Always use the rip fence or miter gauge to support the workpiece.
- Make sure the splitter/riving knife is aligned with the blade. A misaligned splitter/riving knife can cause the workpiece to catch or bind, increasing the chance of kickback. If you think that your splitter or riving knife is not aligned with the blade, check it immediately!
- Take the time to check and adjust the rip fence parallel with the blade. Also, ensure that your table slides parallel with the blade. If either of these two elements are not adjusted correctly, the risk of kickback will be greatly increased.
- Do not remove the splitter/riving knife. The splitter/riving knife maintains the kerf in the workpiece, reducing the chance of kickback from the workpiece halves pinching the blade.
- Feed cuts through to completion. Anytime you stop feeding a workpiece in the middle of a cut, the chance of kickback is greatly increased.
- Keep the blade guard installed and in good working order. Only remove it when performing non-through cuts and immediately re-install the blade guard when finished. Remember, always use the riving knife for all non-through operations, unless a dado blade is installed.
- Make multiple, shallow passes when performing a non-through cut. Making a deep non-through cut will greatly increase the chance of kickback.

WARNING

Statistics show that most common accidents among table saw users can be linked to kickback. Kickback is typically defined as the high-speed expulsion of stock from the table saw toward its operator. In addition to the danger of the operator or others in the area being struck by the flying stock, it is often the case that the operator's hands are pulled into the blade during the kickback.

Protecting Yourself From Kickback

Even if you know how to prevent kickback, it may still happen.

Here are some preventative measures to protect yourself if kickback DOES occur:

- Stand to the side of the blade during every cut. If a kickback does occur, the thrown workpiece usually travels directly in front of the blade.
- Wear safety glasses or a face shield. In the event of a kickback, your eyes and face are the most vulnerable part of your body.
- Never, for any reason, place your hand behind the blade. Should kickback occur, your hand will be pulled into the blade.
- Use a push stick to keep your hands farther away from the moving blade. If a kickback occurs, the push stick will most likely take the damage that your hand would have received.
- Keep the blade guard installed and in good working order.
- Use featherboards or anti-kickback devices, such as Shop Fox Board Buddies, to prevent or slow down kickback.

Glossary Of Terms

The following is a list of common definitions, terms and phrases used throughout this manual as they relate to this table saw and woodworking in general. Become familiar with these terms for assembling, adjusting or operating this machine.

Arbor: A metal shaft extending from the drive mechanism that is the mounting location for the saw blade.

Bevel Edge Cut: Tilting the arbor and saw blade to an angle between 0° and 45° to cut a beveled edge onto a workpiece.

Blade Guard Assembly: Metal or plastic safety device that mounts over the saw blade. Its function is to prevent the operator from coming into contact with the saw blade. Refer to **Page 33** for more details.

Crosscut: Cutting operation in which the crosscut fence is used to cut across the shortest width of the workpiece. Refer to **Page 42** for more details.

Dado Blade: Blade or set of blades that are used to cut grooves and rabbets. DO NOT use a dado blade larger than 8" in diameter on this saw! The saw and arbor are not intended to safely use a larger dado blade.

Dado Cut: Cutting operation that uses a dado blade to cut a flat bottomed groove into the face of the workpiece. Refer to **Page 45** for more details.

Featherboard: Safety device used to keep the workpiece against the rip fence and against the table surface. Refer to **Page 51** for more details.

Kerf: The resulting cut or gap in the workpiece after the saw blade passes through during a cutting operation.

Kickback: An event in which the workpiece is propelled back towards the operator at a high rate of speed.

Non-Through Cut: A cut in which the blade does not cut through the top of the workpiece. Refer to **Page 32** for more details.

Parallel: Being an equal distance apart at every point along two given lines or planes (i.e. the rip fence face is parallel to the face of the saw blade).

Perpendicular: Lines or planes that intersect and form right angles (i.e. the blade is perpendicular to the table surface).

Push Stick: Safety device used to push the workpiece through a cutting operation. Used most often when rip cutting thin workpieces. Refer to **Page 51** for more details.

Rabbet: Cutting operation that creates an L-shaped channel along the edge of the workpiece. Refer to **Page 47** for more details.

Rip Cut: Cutting operation in which the rip fence is used to cut across the width of the workpiece. Refer to **Page 40** for more details.

Riving Knife: Metal plate located behind the blade. It maintains the kerf opening in the wood when performing a cutting operation. Refer to **Page 34** for more details.

Straightedge: A tool used to check the flatness, parallelism, or consistency of a surface(s).

Thin Kerf Blade: A blade with a kerf or thickness that is thinner than a standard blade. Since thin kerf blades are typically the same thickness of the splitter or riving knife—and in some cases thinner—we DO NOT recommend that they be used on this saw due to the increased risk of kickback.

Through Cut: A cut in which the blade cuts completely through the workpiece. Refer to **Page 32** for more details.

Zero Clearance Table Insert: An aftermarket or shop-made table insert specifically modified for the installed blade to eliminate clearance around the blade.

ELECTRICAL

⚠️ WARNING

The machine must be properly set up before it is safe to operate. **DO NOT** have your electrician connect this machine to the power source until instructed to do so later in this manual.

⚠️ WARNING



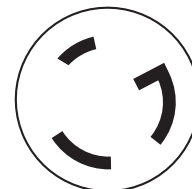
DO NOT work on your electrical system if you are unsure about electrical codes and wiring! Seek assistance from a qualified electrician. Ignoring this warning can cause electrocution, fire, or machine damage.

220V Single-Phase Operation

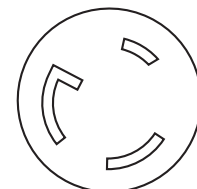
The Model W1811 is wired for 220V single-phase operation. We recommend connecting this machine to a dedicated circuit with a verified ground, using the circuit size given below. Never replace a circuit breaker with one of higher amperage without consulting a qualified electrician to ensure compliance with wiring codes. This machine must be connected to a grounded circuit!

A plug is not supplied with this machine. See below for the recommended plug type for this machine.

If you are unsure about the wiring codes in your area or you plan to connect your machine to a shared circuit, you may create a fire or circuit overload hazard—consult a qualified electrician to reduce this risk.



L6-30 P



L6-30 R

Figure 2. L6-30 Plug and outlet.

Extension Cords

We do not recommend using an extension cord; however, if you have no alternative, use the following guidelines:

- Use a cord rated for Standard Service (S).
- Do not use an extension cord longer than 50 feet.
- Ensure that the cord has a ground wire and pin.
- Use the gauge size listed below as a minimum.

Electrical Specifications

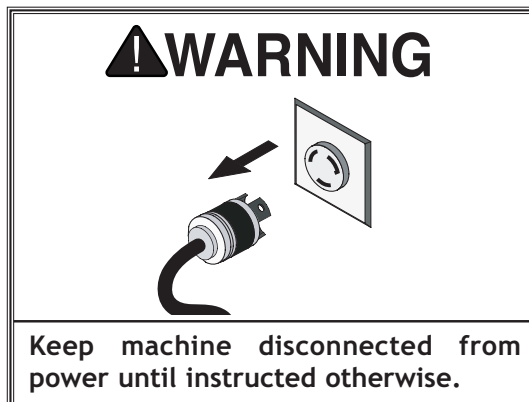
Voltage	Amp Draw	Min. Circuit Size	Connection	Cord	Extension Cord
220V	22A	30A	L6-30 Plug	10/3 AWG, 300 VAC	10/3 AWG (not to exceed 50')

SETUP

Items Needed for Setup

The following items are needed to complete the setup process, but are not included with your machine:

Description	Qty
• Safety Glasses (for each person).....	1
• Forklift	1
• Lifting Straps (2000 lb capacity).....	2
• An Assistant.....	1
• Straightedge 4' (or longer)	1
• Table Saw Blade 10".....	1
• Phillips Head Screwdriver #2	1
• Hex Wrenches 3, 4, 5, 6, & 8mm	1 Each
• Dust Collection System	1
• 4" Dust Hose (length as needed).....	1
• 4" Hose Clamp.....	2
• 2½" Dust Hose (length as needed).....	1



Unpacking

This machine has been carefully packaged for safe transportation. If you notice the machine has been damaged during shipping, please contact your authorized Shop Fox dealer immediately.

SETUP

Inventory

The following is a description of the main components shipped with the Model W1811. If you can't find an item on this list, check the mounting location on the machine or examine the packaging materials carefully. Occasionally we pre-install certain components for safer shipping. If you still can't find a part, talk to your authorized Shop Fox dealer.

Inventory Contents

Inventory Item: (Figures 3-6)	Qty
A. Table Saw (not shown).....	1
B. Large Extension Table.....	1
C. Small Extension Table.....	1
D. Hose Support	1
E. Crosscut Fence.....	1
F. Support Bar	1
G. Crosscut Table.....	1
H. Crosscut Table Support Leg	1
I. Flip Stops	2
J. Lock Lever M12-1.75 x 55.....	1
K. Flat Washer 12mm.....	1
L. T-Nut M12-1.75.....	1
M. Rip Fence Rail (w/Attached Mounting Hardware)	1
N. Rip Fence	1
O. Rip Fence Scale	1
P. Rip Fence Lever w/Hex Nut M8-1.25	1
Q. Rip Fence Base	1
R. Blade Guard w/Cap Screw & Nut.....	1
S. Arbor Lock Tool	1
T. Sliding Table Handle w/Lock	1
U. Push Stick	1
V. Riving Knife	1
W. End Cover	1
X. Wrench 17mm (not shown)	1
Y. Wrench 19/22mm (not shown)	1

SETUP

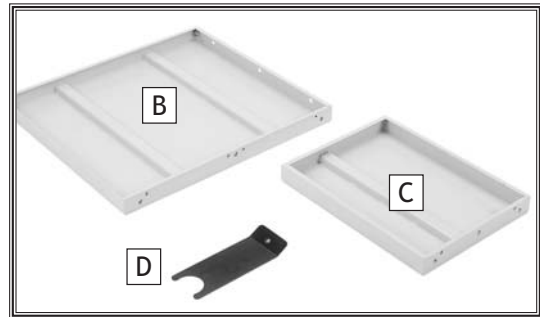


Figure 3. Extension table items.

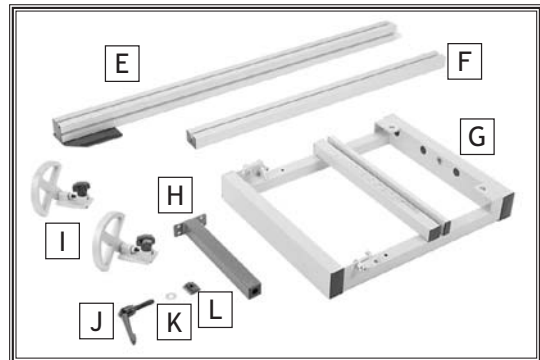


Figure 4. Crosscut table items.

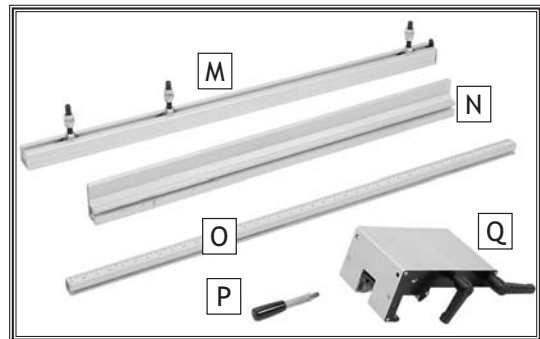


Figure 5. Rip fence items.

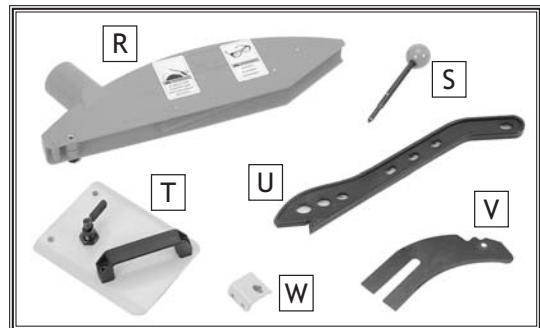


Figure 6. Miscellaneous components.

Inventory Item: (Figure 7-9)	Qty
AA. Miter Clamp	1
AB. Miter Flip Stop	1
AC. Miter Handle w/Flat Washer 8mm	1
AD. Miter Gauge Fence	1
AE. Miter Gauge Body.....	1
AF. Miter Guide Bar	1
AG. Sliding Table	1
AH. Sliding Table Support Legs	2
AI. Feet M12-1.75 x 75 w/Nuts	2
AJ. Crosscut Brace Knobs M8-1.25 x 50.....	2
–Flat Washers 8mm	2
–Square Nuts M8-1.25	2
AK. Crosscut Fence Knob M8-1.25	1
–Flat Washer 8mm	1
–Crosscut Fence T-Stud M8-1.25 x 60.....	1
AL. Crosscut Fence Lock Knob M8-1.25 x 25.....	1
AM. Pivot Stud.....	1
–Special Washer 8 x 20mm	1
–Square Nut M8-1.25	1
AN. Push Handle M12-1.75 x 14	1
–Flat Washer 12mm.....	1
–Plastic Washer 12mm	1
–Push Handle T-Nut M12-1.75.....	1
AO. Support Leg T-Slot Plates	2
AP. Sliding Table T-Studs M12-1.75 x 35	2
–Flat Washers 12mm	2
–Lock Washers 12mm.....	2
–Hex Nuts M12-1.75	2

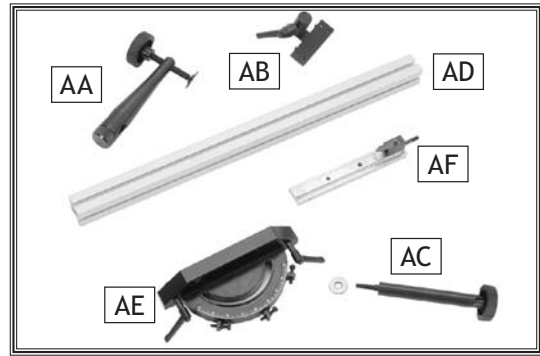


Figure 7. Miter gauge items.

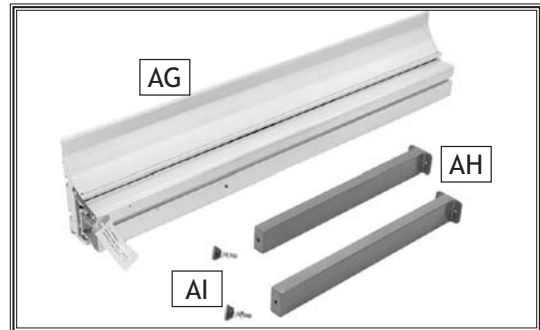


Figure 8. Sliding table items.

Other Hardware (not shown)	Qty
• Cap Screws M10-1.5 x 25 (Extension Tables)	5
• Flat Washers 10mm (Extension Tables)	5
• Lock Washers 10mm (Extension Tables).....	5
• Set Screws M8-1.25 x 25 (Extension Tables)	6
• Hex Nuts M8-1.25 (Extension Tables).....	6
• Hex Bolts M6-1 x 16 (Fence Scale).....	2
• Hex Bolt M6-1 x 25 (Fence Scale).....	1
• Flat Washers 6mm (Fence Scale)	3
• Lock Washers 6mm (Fence Scale).....	3
• Hex Nuts M6-1 (Fence Scale)	3
• Cap Screws M6-1 x 16 (CT Support Leg)	4
• Lock Washers 6mm (CT Support Leg)	4
• Flat Washers 6mm (CT Support Leg)	4
• Cap Screws M5-.8 x 12 (Switch).....	2
• Lock Washers 5mm (Switch)	2
• Cap Screws M10-1.5 x 30 (ST Leg Plates).....	4
• Lock Washers 10mm (ST Leg Plates)	4
• Cap Screw M10-1.5 x 25 (Hose Support).....	1
• Flat Washers 10mm (Hose Support)	2
• Hex Nut M10-1.5 (Hose Support).....	1

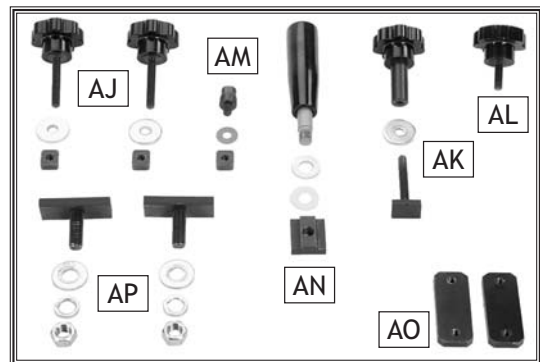


Figure 9. Miscellaneous knobs and hardware.

SETUP

Machine Placement

- **Floor Load:** This machine distributes a heavy load in a small footprint. Make sure the floor will support the machine, workpieces, and the operator.
- **Working Clearances:** Consider existing and anticipated needs, size of material to be processed through the machine, and space for auxiliary stands, work tables or other machinery when establishing a location for your machine (see **Figure 10**).
- **Lighting:** Lighting should be bright enough to eliminate shadows and prevent eye strain.

Cleaning Machine

The table and other unpainted parts of your machine are coated with a waxy grease that protects them from corrosion during shipment. Clean this grease off with a solvent cleaner or citrus-based degreaser. **DO NOT** use chlorine-based solvents such as brake parts cleaner or acetone—if you happen to splash some onto a painted surface, you will ruin the finish.

SETUP

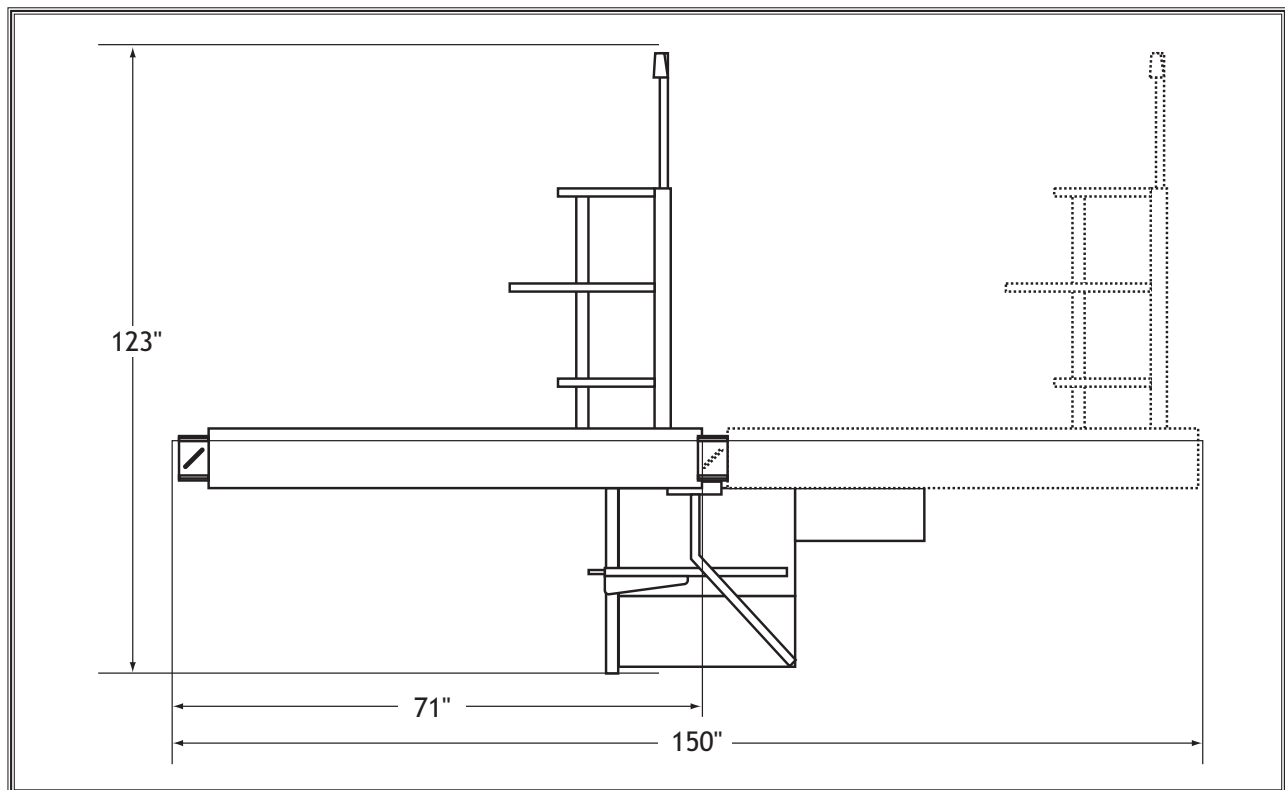
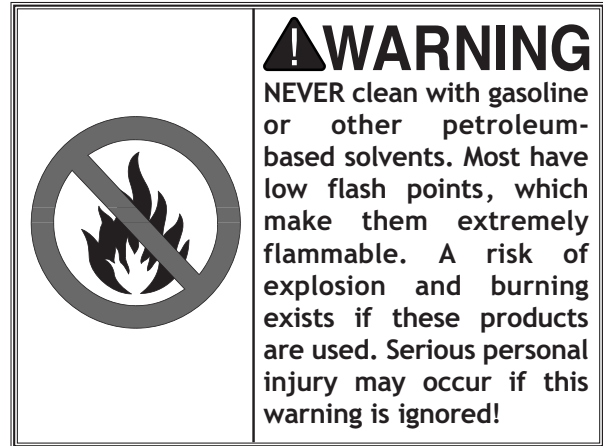
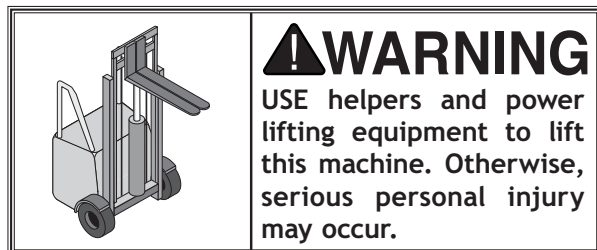
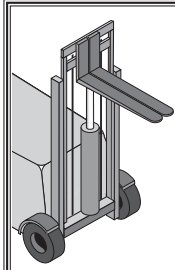


Figure 10. Working clearances.

Lifting & Moving



!WARNING

This machine weighs over 500 lbs. Serious personal injury may occur if safe moving methods are not followed. To be safe, you will need at least one other person and a forklift to move and place this machine.

!WARNING

Use lifting straps with a minimum lifting capacity higher than the saw weight. DO NOT lift saw higher than necessary to clear floor. If lifting strap breaks, serious personal injury may occur.

To remove the table saw from the crate pallet, do these steps:

1. Feed the lifting straps around the lifting bolts on the back of the table and the sliding table saw mounts on the front of the cabinet (see **Figure 11**). Attach the ends of the lifting straps to the forklift forks.
2. Lift the table saw cabinet and move it to your pre-determined location.
3. Remove the red lifting bolts from the back of the table.
4. Place a level on the cast iron table to level the table saw cabinet side-to-side and front-to-back. This will allow the table to slide smoothly.

Note: There are two options for leveling the saw: 1) Shim under the cabinet, or 2) thread bolts down into the nuts welded on the stand corners (**Figure 12**).



Figure 11. Lifting the table saw.



Figure 12. Hex bolt in stand corners for leveling; the hex nut is used to secure the bolt position.

Assembly & Setup

Before shipping, the sliding table was installed on the machine and calibrated to the main table and blade. As such, be careful not to move any pre-installed nuts when installing the sliding table.

The sliding table and extension tables are heavy, so use a forklift or four strong helpers to lift the sliding table during installation.

To assemble the sliding table saw, do these steps:

1. Place the sliding table on the cabinet.
2. On each side of the sliding table, slide a T-stud down the center bottom T-slot until it is next to the mounting bracket.
3. Lift one side of the sliding table, position the T-stud over the hole in the mounting bracket, then lower the sliding table so the T-stud fits through the hole, as shown in **Figure 13**. Repeat on the other side.
4. Put a 12mm flat washer, 12mm lock washer and M12-1.75 hex nut on the bottom of each T-stud and tighten the hex nut to secure the sliding table in place.
5. Install the small extension table with the two M10-1.5 x 25 cap screws, 10mm flat washers and 10mm lock washers (see **Figure 14**).
6. Thread one M8-1.25 hex nut halfway onto each of the M8-1.25 x 25 set screws, then install two of the set screws where shown in **Figure 14**, to act as leveling screws in a later step.
7. Install the large extension table with the three M10-1.5 x 25 cap screws, 10mm flat washers, and 10mm lock washers (see **Figure 15**).
8. Thread four M8-1.25 x 25 set screws with hex nuts where shown in **Figure 15**, to act as leveling set screws in a later step.
9. Level the top of the extension tables even with the top of the cast iron table.

Using a straightedge as a guide (**Figure 16**), adjust the leveling set screws to align the top of the extension tables with the top of the cast iron table. Tighten the hex nuts on the leveling screws against the extension table to lock the screws when the tables are aligned.

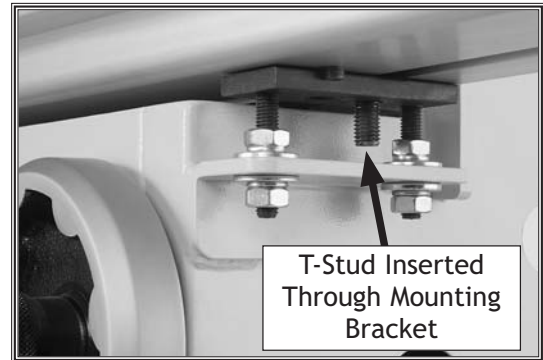


Figure 13. T-stud inserted in mounting bracket.

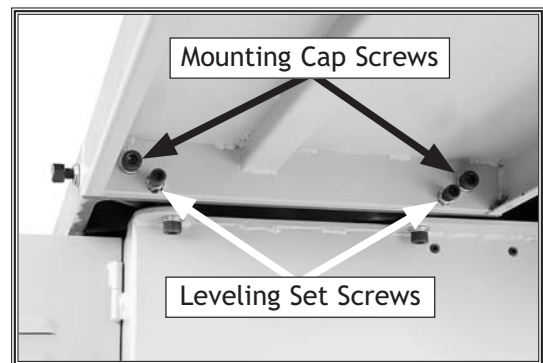


Figure 14. Small extension table installed.

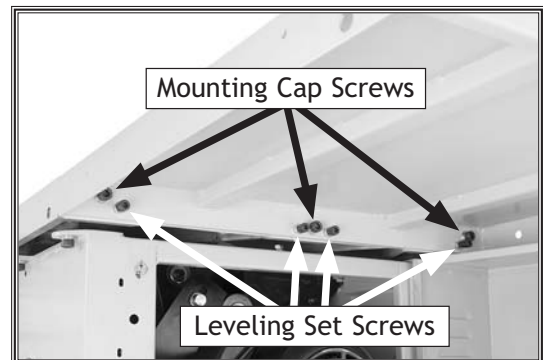


Figure 15. Large extension table installed.



Figure 16. Extension wings mounted and even with cast iron table.

10. Mount the rip fence scale to the large extension table and cast iron table (**Figure 17**) using three M6-1 hex nuts, 6mm lock washers, 6mm flat washers, two M6-1 x 16 hex bolts, and one M6-1 x 25 hex bolt. (The longer hex bolt is used in the cast iron table.) Adjust the scale even with the table tops, then tighten the fasteners.

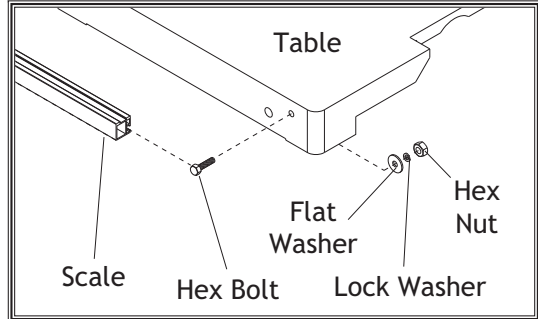


Figure 17. Mounting rip fence scale.

11. Mount the rip fence rail as shown in **Figure 18**. Make sure the black tab is toward the back end of the saw. Adjust the hex nuts so the gap between the rail and tables is even, but leave the rail slightly loose for now.

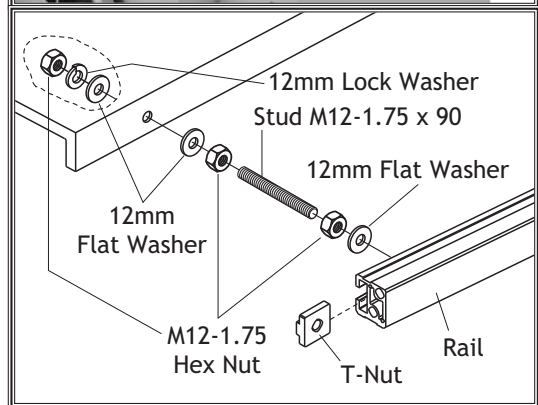
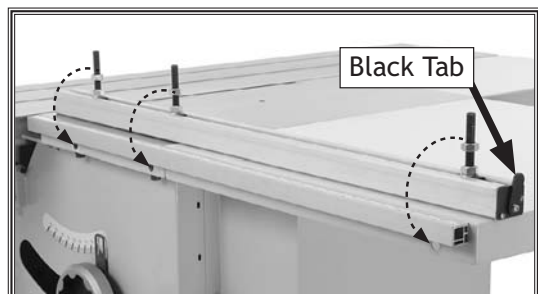


Figure 18. Rip fence rail mounting.

SETUP

- Slide the rip fence base on the rail, and check the spacing between the rip fence base and scale bar (see **Figure 19**). There should be a minimum of $\frac{1}{8}$ " of space between the scale bar and the fence base. Adjust the mounting position of the rip fence rail to create this space evenly along the length of the scale bar, then tighten the rail mounting nuts.

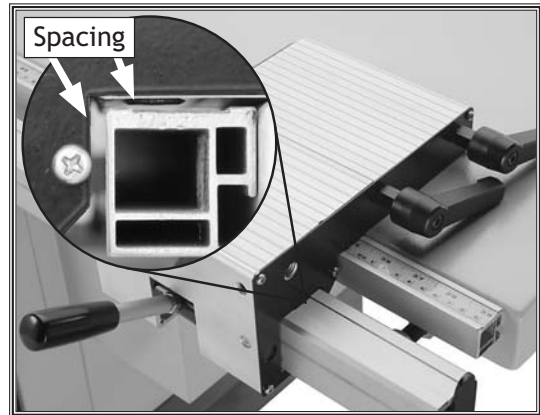


Figure 19. Fence base installed; spacing between fence base and scale bar.

Note: The fence should slide smoothly on the rail; if it doesn't, remove the fence base and adjust the spring pressure plate mounting position on the fence base (see **Figure 20**), by loosening the two screws and repositioning the pressure plate slightly.

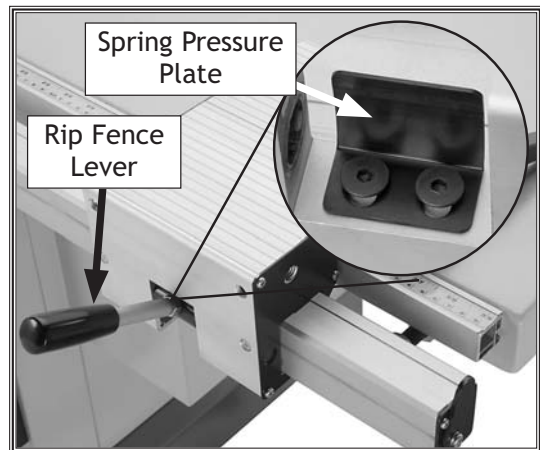


Figure 20. Location of spring pressure plate for fence slide adjustments.

- Thread the rip fence lever into the fence base (**Figure 20**), tighten the hex nut against the rip fence base to keep the lever in place.
- Slide the rip fence on the fence base T-bar as shown in **Figure 21**. Use the two lock levers on the opposite side of the fence base to secure the fence in position.

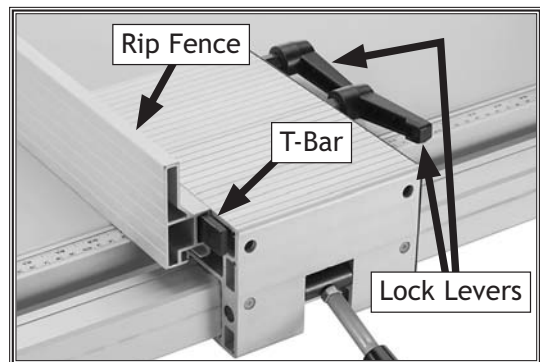


Figure 21. Rip fence installed on fence base.

15. Place a 12mm flat washer on the crosscut table lock lever, then insert it through the crosscut fence and thread the M12-1.75 T-nut onto the end approximately two turns.
16. Align the T-nuts on the crosscut table with the T-slot in the face of the sliding table, then slide the crosscut table into position on the sliding table (Figure 22) and tighten the crosscut table lock lever.

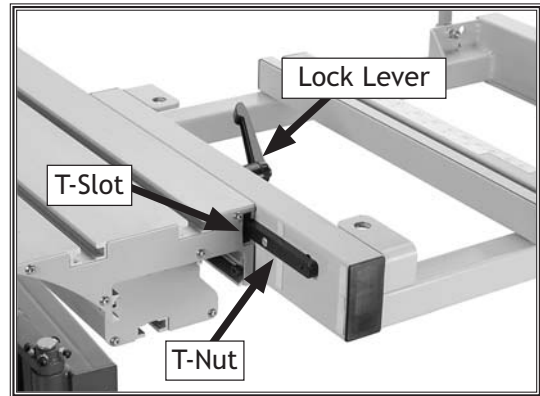


Figure 22. Crosscut table installation.

17. Place the crosscut table support leg on the extension arm, and attach it to the crosscut table with four M6-1 x 16 cap screws, 6mm lock washers, and 6mm flat washers.

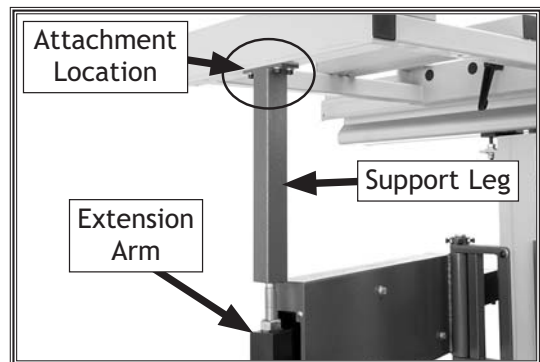


Figure 23. Support leg installed.

18. Insert the two crosscut brace knobs with 8mm flat washers through the crosscut table, then thread the square nuts onto the ends of the knob threads (Figure 24, A). Slide the T-slot in the support bar over both T-nuts, and tighten the knobs (Figure 24, B).

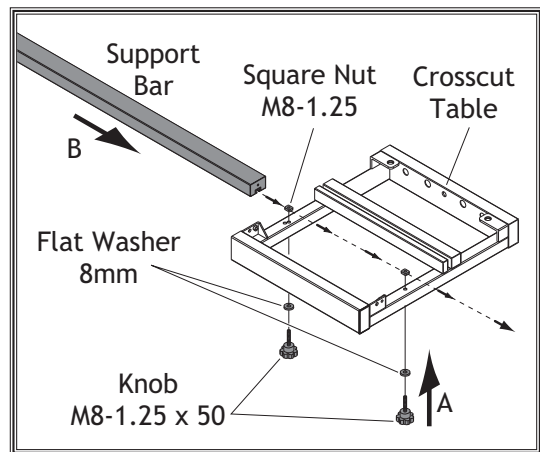


Figure 24. Installing support bar on crosscut table.

SETUP

19. Slide the pivot stud assembly and the M8-1.25 x 60 T-bolt into the crosscut fence T-slot, as shown in **Figure 25**.
20. Align the T-bolt and pivot stud with the crosscut table insertion points (**Figure 25**), and install the fence on the table.
21. Thread the M8-1.25 knob with an 8mm flat washer onto the bottom of the T-bolt from the underside of the table.

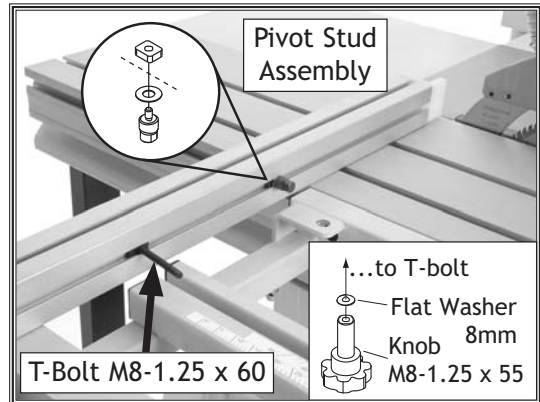


Figure 25. Pivot stud and T-bolt installed in crosscut fence.

22. Hold the crosscut fence against the positive stop bolt, shown in **Figure 26**, then tighten the knob underneath the crosscut table to lock the crosscut fence in position.

Note: *This positive stop bolt can be fine-tuned later to ensure that the crosscut fence is square to the blade.*



Figure 26. Positive stop bolt against the crosscut fence.

23. Install the flip stops in the T-slot on the crosscut fence, as shown in **Figure 27**, and use the crosscut fence lock knob to secure the extendable end of the fence in position.

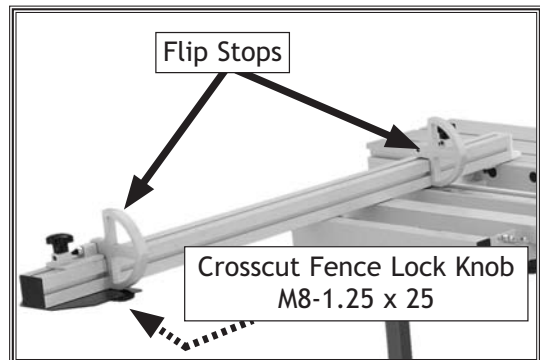


Figure 27. Flip stops installed on crosscut fence.

24. Remove the shipping brace from the sliding table (Figure 28), then install the sliding table end cover over the fixed part of the sliding table end, as shown in Figure 29, using the pre-mounted hardware.

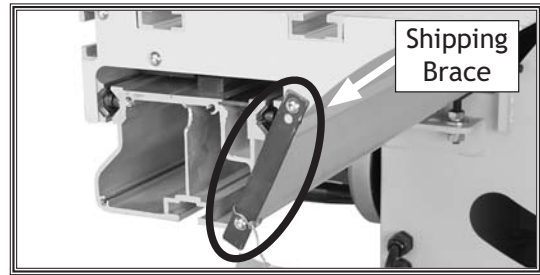


Figure 28. Sliding table shipping brace.



Figure 29. Sliding table end cover installed.

25. Attach the sliding table handle, as shown in Figure 30, with two pre-mounted button head screws and flat washers.



Figure 30. Sliding table handle attached to end of sliding table.

26. Thread two M5-.8 x 12 cap screws with 5mm lock washers through the switch bracket and into the sliding table base, and tighten the cap screws (see Figure 31).



Figure 31. Magnetic switch installed.

SETUP

27. Thread the feet all the way into the bottom of the support legs. DO NOT remove the hex nuts pre-installed on the bottom of the feet, since they will be used after the legs are installed.
28. Thread two M10-1.5 x 30 cap screws and 10mm lock washers through each support leg and part way into the T-slot plates for the legs, slide the T-slot plates into the both ends of the sliding table base, and tighten the mounting cap screws (see **Figure 32**).
29. Adjust the feet downward so they press against the floor, then tighten the hex nuts up against the support leg so the feet are locked in place.
30. Open the cabinet door and remove the motor shipping brace shown in **Figure 33**.
31. Tilt the blade assembly to 0°, then slide the sliding table forward all the way until you can open the lower blade guard cover and access the blade arbors.

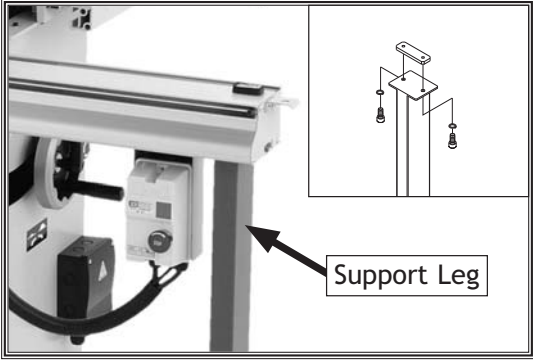


Figure 32. Support leg installed (1 of 2 shown).

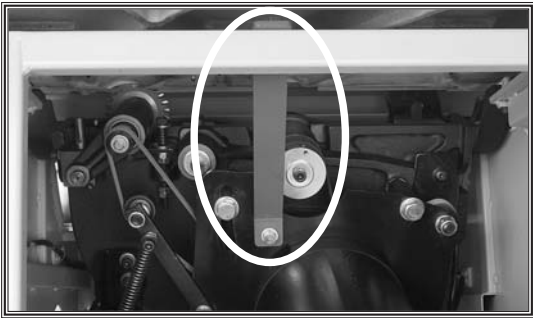


Figure 33. Motor shipping brace.

CAUTION
 Before proceeding with the next steps, we recommend that you wear gloves to protect your hands when handling and installing the blade.

32. Insert the arbor lock tool into the hole shown in **Figure 34**, rotate the arbor until the arbor lock tool seats, then install the main blade, using the included arbor wrench to loosen and tighten the arbor nut (the arbor nut has left-hand threads and loosens clockwise). There MUST be an arbor flange between the blade and the arbor nut.
33. Insert the arbor lock tool into the hole shown in **Figure 35**, rotate the arbor until the arbor lock tool seats, then install the scoring blade, using the arbor wrench. There MUST be an arbor flange on both sides of the blade.

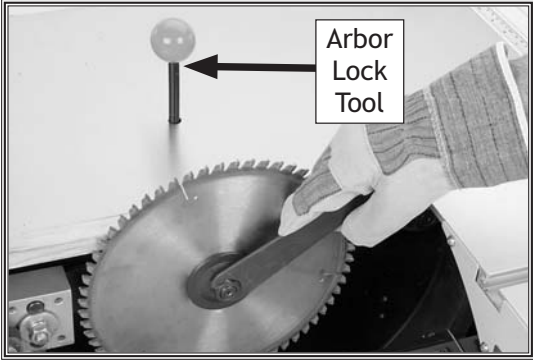


Figure 34. Installing main blade.



Figure 35. Installing scoring blade.

34. Install the riving knife as shown in **Figure 36**, but do not tighten the mounting bolt yet.

Note: While the mounting bolt is loose, the riving knife can be adjusted up or down.



Figure 36. Installing riving knife.

35. Adjust the riving knife approximately $\frac{1}{8}$ " away from the main blade, using a $\frac{1}{8}$ " or 3mm hex wrench as a guide (**Figure 37**), and make sure the top of the riving knife is positioned below the blade's highest point of rotation, as shown in **Figure 52** on **Page 34**.

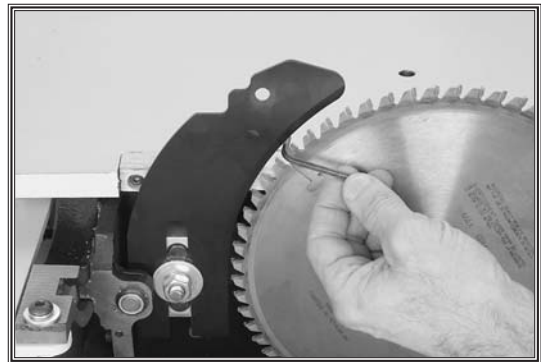


Figure 37. Adjusting the riving knife spacing.

36. Use a straightedge to make sure the riving knife and scoring blade are aligned with the main blade.

- The riving knife position can be modified slightly by shimming. Refer to **Page 35** for more details.
- The scoring blade alignment can be changed by adjusting the set screws accessible through the table top (see **Figure 38** or refer to **Page 37**).

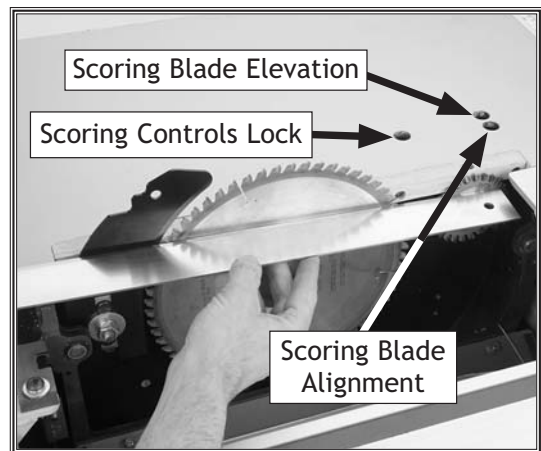


Figure 38. Access holes for scoring blade adjustment controls.

37. Install the blade guard on the riving knife, as shown in Figure 39, with the M8-1.25 x 40 button head cap screw shipped in the blade guard.

⚠ WARNING
 The blade guard/dust hood **MUST** be installed to reduce the risk of injury from accidental blade contact, kickback, or flying debris. This is not an optional step.



Figure 39. Blade guard installed.

38. Assemble the miter gauge and push handle, as shown in Figure 40.

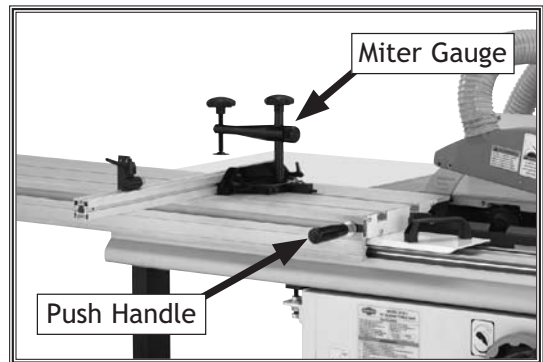


Figure 40. Push handle and miter gauge installed.

39. Install the hose support, as shown in Figure 41, with hardware shown below.

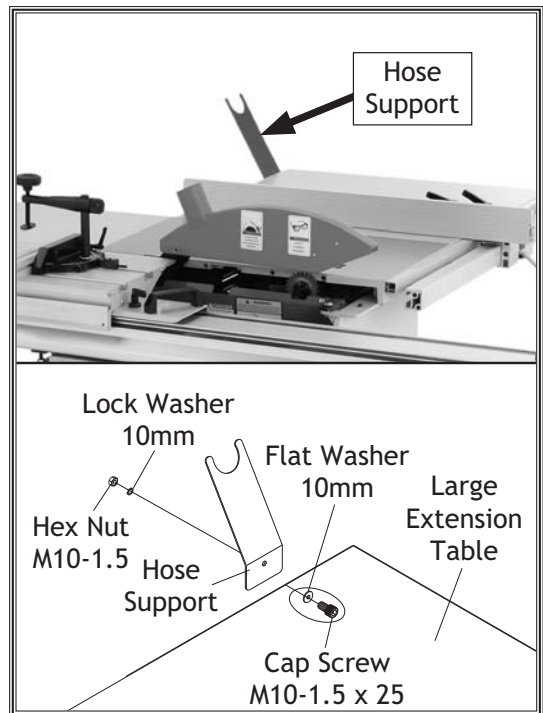


Figure 41. Hose support installed.

SETUP

Dust Collection

Recommended CFM at 4" Dust Port: 400 CFM
 Recommended CFM at 2½" Dust Port: 150 CFM

NOTICE

Do not confuse this CFM recommendation with the rating of the dust collector. To determine the CFM at the dust port, you must consider these variables: (1) CFM rating of the dust collector, (2) hose type and length between the dust collector and the machine, (3) number of branches or wyes, and (4) amount of other open lines throughout the system. Explaining how to calculate these variables is beyond the scope of this manual. Consult an expert or purchase a good dust collection "how-to" book.

1. Secure a 4" dust hose to the dust port located under the saw table (Figure 42).

Note: For fast and easy connection to a dust collection system, we recommend using the Model W1038 4" Quick Disconnect fitting with the Model D3996 4" x 2½" Y-fitting, as shown in Figure 42.

2. Attach a 2½" dust hose to the blade guard dust port, as shown in Figure 43.

3. Run the 2½" hose over the hose support, as shown in Figure 44.

⚠ CAUTION

DO NOT operate this machine without an adequate dust collection system. This machine creates substantial amounts of wood dust while operating. Failure to use a dust collection system can result in short and long-term respiratory illness.

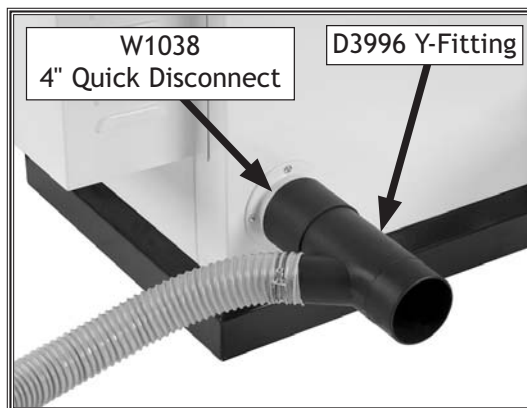


Figure 42. 4" dust port connected.

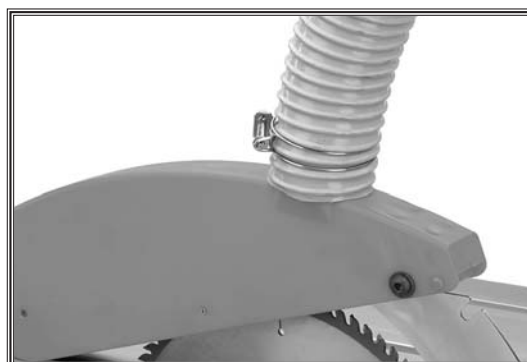


Figure 43. 2½" Dust port connected.



Figure 44. Dust hose support in use.

SETUP

Power Connection

Before connecting the saw to power, read through **Electrical** section on **Page 12** to verify that your setup follows the safety and circuit requirements for this machine.

Open the power connection box shown in **Figure 45**.

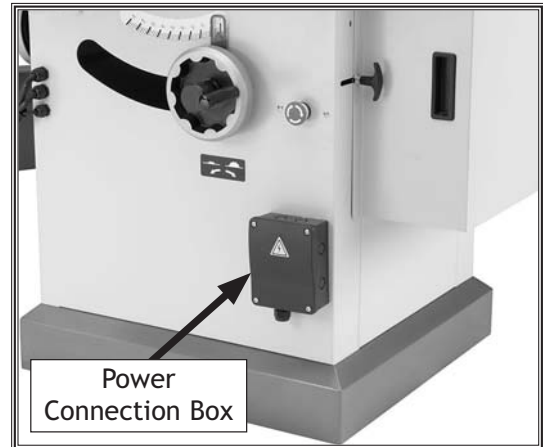


Figure 45. Power connection box.

Connect the power wires to the terminals shown in **Figure 46**, tighten the strain relief so the wires can't be pulled from the terminals, then close the power connection box.

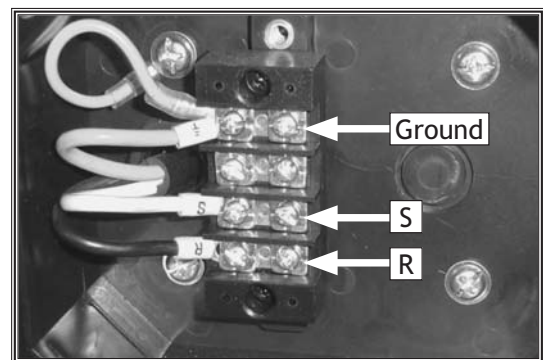


Figure 46. Power connection terminals.

Test Run

Once the assembly is complete and the power source is connected, test run your machine to make sure it runs properly and is ready for regular operation.

The test run consists of verifying the following: 1) The motor powers up and runs correctly, 2) the stop button safety feature works correctly, and 3) the safety limit switches work correctly.

If, during the test run, you cannot easily locate the source of an unusual noise or vibration, immediately stop using the machine, then review **Troubleshooting** on **Page 62**.

If you still cannot remedy a problem, contact our Tech Support at (360) 734-3482 for assistance.

Before beginning the test run, review the power controls shown in **Figure 47** and **Controls & Features** on **Page 3**.

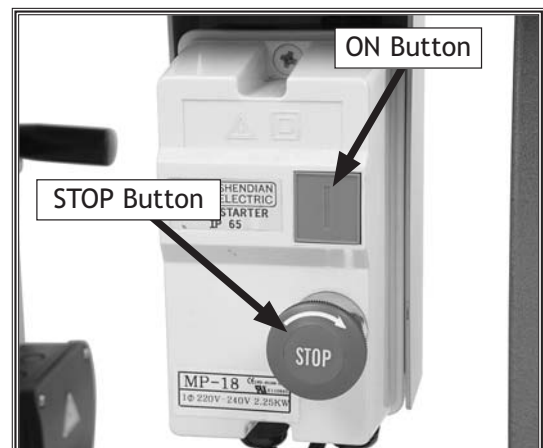


Figure 47. Main power controls.

To test run the saw, do these steps:

1. Put on safety glasses, make sure any bystanders are out of the way, and that all tools have been removed from the saw.
2. Push in, then rotate both STOP buttons clockwise until they pop out. This resets the switch so the machine can be started.
3. Press the ON button. The blades should startup and run smoothly without any problems. *If any problems occur, immediately press the STOP button.*
4. Press the STOP button, then press the ON button.
 - The saw should NOT start if the disabling feature on the STOP button is working correctly. If this is true, continue to **Step 6**.
 - If the saw DOES start when the STOP button is pushed in, then the safety feature on the STOP button is not working correctly. Call Tech Support for advice before proceeding any further with the test run or machine operations.
5. DISCONNECT SAW FROM POWER!
6. Move the sliding table all the way forward, then open the lower blade guard (refer to **Page 36** for details on accessing and opening the blade guard). Opening the lower blade guard triggers the limit switch.
7. Connect the saw to the power source and rotate the STOP button clockwise so it pops out.
8. (During this step, be prepared to immediately press the STOP button if the blades start operating.) Press the ON button.
 - If the blade guard limit switch functions correctly, the machine will not start. If this is true, continue to **Step 9**.
 - If the machine starts during this test, the limit switch is NOT functioning correctly. Disconnect the saw from power, and call Tech Support for advice before proceeding any further with the test run or machine operations.
9. Close the lower blade guard and move the sliding table back to the center of the machine.

 **WARNING**

If the saw does not operate as stated in this section, review Troubleshooting on Page 62. If you need additional help, call Tech Support at (360) 734-3482. DO NOT place a machine into regular operation if you suspect that it is malfunctioning, or serious injury could occur.

OPERATIONS

General

This machine will perform many types of operations that are beyond the scope of this manual. Many of these operations can be dangerous or deadly if performed incorrectly.

The instructions in this section are written with the understanding that the operator has the necessary knowledge and skills to operate this machine. If at any time you are experiencing difficulties performing any operation, stop using the machine!

If you are an inexperienced operator, we strongly recommend that you read books, industry magazines, or seek training from an experienced *Sliding Table Saw* operator before performing any unfamiliar operations. Above all, your safety should come first!

⚠ WARNING

READ and understand this entire instruction manual before using this machine. Serious personal injury may occur if safety and operational information is not understood and followed. DO NOT risk your safety by not reading!

Safety Habits

Your safety is important. Always think about safety when operating this machine. The operator is ultimately responsible for their own safety, as well as the safety of bystanders. Every cutting operation is different and may require safety equipment or safety procedures not mentioned in this manual. Use common sense!

Follow these safety tips EVERY time you use your saw:

- Stand to the left of the blade line-of-cut when performing a cutting operation.
- Turn the saw **OFF** and allow the blade to come to a complete stop before removing the cut-off piece.
- Make sure that the riving knife is always aligned with the main blade before cutting!
- Always make sure the blade guard is installed and works correctly.
- Carefully plan each cutting operation to avoid injuries.
- When you release the sliding table lock, make sure that the knob is positioned so that it will not lock the table during a cut.

⚠ WARNING

Always wear safety glasses when operating this machine. Failure to comply may result in serious personal injury.

⚠ WARNING

DO NOT investigate problems or adjust the machine while it is running. Wait until the machine is turned **OFF, unplugged and all working parts have come to a complete stop before proceeding!**

Workpiece Inspection

Some workpieces are not safe to cut or may require modification before they can be cut.

Before cutting, get in the habit of inspecting all workpieces for the following hazards:

- **Foreign Objects:** Nails, staples, dirt, rocks and other foreign objects are often embedded in wood. While cutting, these objects can become dislodged and hit the operator, they can cause kickback, and they can break or chip the blade, which might then fly apart. Always visually inspect your workpiece for these items. If they can't be removed, DO NOT cut the workpiece.
- **Large/Loose Knots:** Loose knots can become dislodged during the cutting operation. Large knots can cause kickback and machine damage. Choose workpieces that do not have large/loose knots or plan ahead to avoid cutting through them.
- **Wet or "Green" Stock:** Cutting wood with a moisture content over 20% causes unnecessary wear on the blades, increases the risk of kickback, and yields poor results.
- **Excessive Warping:** Workpieces with excessive cupping, bowing, or twisting are dangerous to cut because they are unstable and often unpredictable when being cut. DO NOT use workpieces with these characteristics!
- **Minor Warping:** Workpieces with slight cupping can be safely supported if the cupped side is facing the table or the fence. On the contrary, a workpiece supported on the bowed side will rock during a cut and could cause kickback or severe injury.
- **Improper Material:** This machine is intended for cutting natural and man-made wood products, laminate covered wood products, and some plastics. This machine is NOT designed to cut metal, glass, stone, tile, etc.; cutting these materials with a table saw may lead to injury. Cutting drywall or cementitious backer board creates extremely fine dust and may reduce the life of the bearings—we do NOT recommend cutting these products with this saw.

Non-Through & Through Cuts

Non-Through Cuts

A non-through cut is a sawing operation where the blade does not protrude above the top face of the wood stock, as shown in **Figure 48**.

Examples of non-through cuts include dadoes and rabbets. Non-through cuts have a higher risk of injury from kickback because the splitter and blade guard must be removed. When making non-through cuts with a standard blade, the riving knife **MUST** be installed. When making non-through cuts with a dado blade, extreme care, including using multiple light passes must be used, because neither the blade guard or riving knife can be used.

Safety precautions and instructions for each type of cut are located on the following pages:

- Dado Cuts: Page 45
- Rabbet Cuts: Page 47
- Resawing Cuts: Page 49

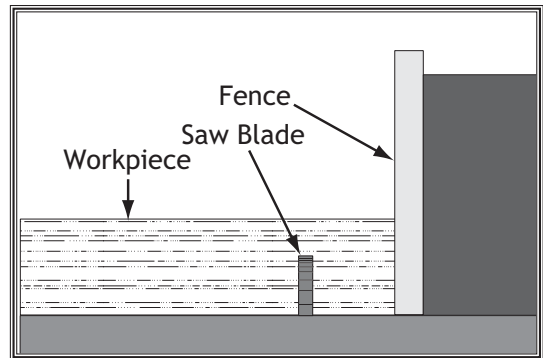


Figure 48. Example of a non-through cut.

Through Cuts

A through cut is a sawing operation in which the workpiece is completely sawn through, as shown in **Figure 49**. Examples of through cuts are rip cuts, cross cuts, miter cuts, and beveled cuts. The blade guard assembly **MUST** be used when performing through cuts.

Read, understand, and follow instructions and safety precautions for each type of cut to reduce the risk of injury.

Safety precautions and instructions for each type of cut are located on the following pages:

- Rip Cuts: Page 40
- Crosscuts: Page 42
- Miter Cuts: Page 44

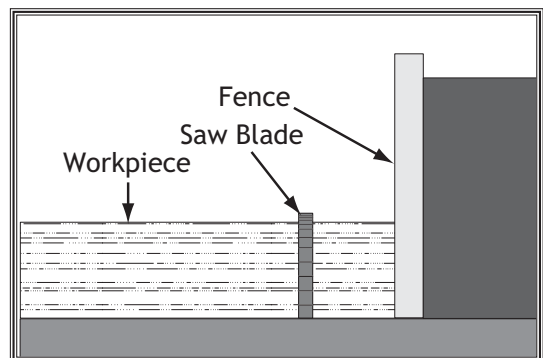


Figure 49. Example of a through cut (blade guard not shown for illustrative clarity).

Main Blade Installation

This saw performs best with high-quality sharp blades. Whenever the blades become dull, replace or sharpen them.

To change the main blade, do these steps:

1. DISCONNECT SAW FROM POWER!
2. Move the blade tilt to 0° (blade 90° to table) and raise the main blade as far as it will go.
3. Move the sliding table all the way forward to expose the internal blade guard that covers the blades and riving knife, as shown in **Figure 56**.
4. Pull the blade guard away from the blades to expose the mounting assembly. (The internal blade guard is held in place with a magnet.)
5. Insert the arbor lock tool into the hole shown in **Figure 56**, then rotate the blade by hand until the arbor lock tool seats.

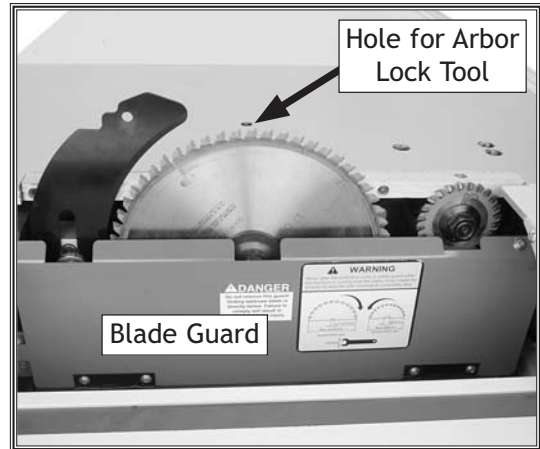


Figure 56. Internal blade guard exposed.

6. Use the arbor wrenches to remove the arbor nut and arbor flange, then pull the old blade off the arbor.

Note: *The arbor nut has left hand threads and loosens by turning clockwise.*

7. Slide the new blade over the arbor with the teeth facing the right of the saw, as shown in **Figure 57**.
8. Re-install the arbor flange and the arbor nut, then tighten them against the blade as shown in **Figure 57**. There **MUST** be an arbor flange between the blade and the arbor nut.

– If you changed the diameter of the blade during this procedure, adjust the riving knife according to the instructions titled **Riving Knife Adjustment** on **Page 35**.

9. Move the lower blade guard back into its original position, next to the blades, and center the sliding table.

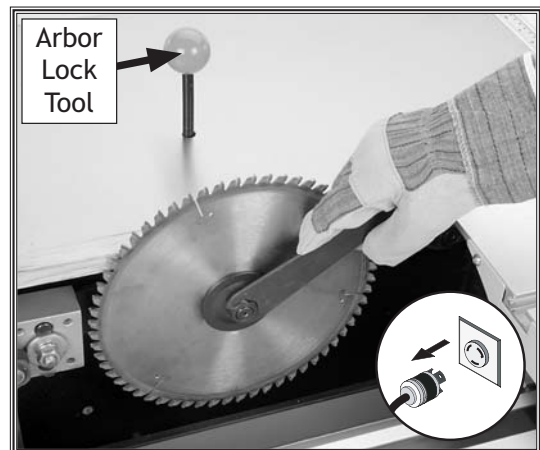


Figure 57. Replacing the main blade.

Blade Guard

The "blade guard" (**Figure 50**) is mounted to the riving knife and is designed to lift as the workpiece is pushed into the blade and remain in contact with the workpiece throughout the entire cut.

The guard reduces injury risk by providing a barrier around the blade that prevents accidental contact and contains flying wood chips.

To ensure that the guard does its job effectively, the guard must always be in the downward position while cutting, and the hinge mechanism must be maintained in good working condition so the guard can freely pivot up and down.

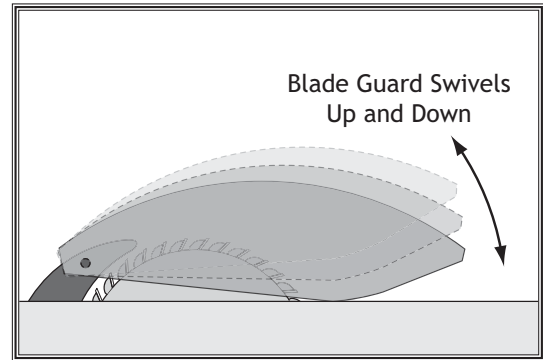


Figure 50. Blade guard assembly.

When to Use the Blade Guard

The blade guard assembly **MUST** always be installed on the saw for all normal through cuts (those where the blade cuts all the way through the thickness of the workpiece).

When Not to Use the Blade Guard

The blade guard cannot be used on any non-through cuts (those in which the blade does not cut all the way through the thickness of the workpiece).

Sometimes the blade guard or its components can get in the way when cutting very narrow workpieces or other specialized cuts. Because the blade guard is provided to decrease your risk of injury, it should not be used if it gets in the way of making a safe cut. Use good judgement!

IMPORTANT: Whenever the blade guard cannot be used, the riving knife must remain installed.

Riving Knife

The riving knife (**Figure 51**) is a metal plate that prevents the newly cut workpiece from pinching the backside of the blade and causing kickback.

When properly mounted, the riving knife is positioned below the blade's highest point of rotation, as shown in **Figure 52**.

The height difference between the riving knife and the blade allows the workpiece to pass over the blade during non-through cuts (those in which the blade does not cut all the way through the thickness of the workpiece).

The riving knife also acts as a barrier behind the blade to reduce the risk of hands being pulled into the blade if a kickback occurs.

The riving knife on this machine also acts as the mounting mechanism for the blade guard.

When to Use the Riving Knife by Itself (without Blade Guard Attached)

Use the riving knife by itself for all non-through cuts made with a standard table saw blade (i.e., dados or rabbet cuts in which a dado blade is NOT used, and when using a tenoning jig).

Also, use the riving knife by itself for those special operations where the blade guard or its components get in the way of safe operation, such as with very narrow cuts.

When Not to Use the Riving Knife

The riving knife CANNOT be used with a dado blade. Otherwise, the riving knife height will exceed the blade height and the workpiece will hit the riving knife during the cut, forcing the operator into a dangerous situation of trying to turn the saw off with the workpiece stuck halfway through the cut.

In addition, although it is possible to use the riving knife by itself for through cutting operations, the blade guard assembly offers far more injury protection and risk reduction than the riving knife alone. Therefore, we **strongly recommend** that you ALWAYS use the blade guard assembly with the riving knife for all through cuts.

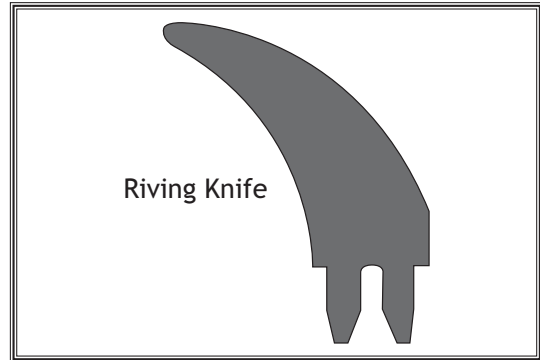


Figure 51. Illustration of a typical riving knife.

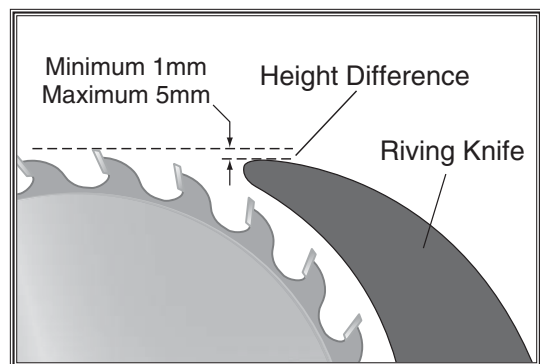


Figure 52. Height difference between riving knife and blade.

⚠ WARNING

In order to work properly, the riving knife cannot be bent or misaligned with the blade. If the riving knife gets accidentally bent, take the time to straighten it or just replace it. Using a bent or misaligned riving knife will increase the risk of kickback!

NOTICE

Some thin-kerf blades may be thinner than the thickness of the riving knife. DO NOT install these blades on the saw, because the workpiece will hit the riving knife during operation, possibly causing kickback. Always make sure the kerf of a blade you install is not thinner than the riving knife.

Riving Knife Adjustment

The riving knife must be adjusted to 3mm away from the main saw blade.

To adjust the riving knife, do these steps:

1. DISCONNECT SAW FROM POWER!
2. Move the blade tilt to 0° (blade 90° to table), and raise the main blade as far as it will go.
3. Move the sliding table all the way forward to expose the internal blade guard that covers the blades and riving knife.
4. Pull the internal blade guard away from the riving knife to expose the mounting assembly. (The internal blade guard is held in place with a magnet.)
5. Remove the upper blade guard.
6. Loosen the riving knife center bolt as shown in **Figure 53**.
7. Position the riving knife about 3mm or 1/8" away from the nearest saw tooth on the main blade, and make sure the top of the riving knife is positioned below the blade's highest point of rotation, as shown in **Figure 52**.

Note: For a quick gauge, use the 3mm or 1/8" hex wrench to find the correct spacing between the blade and the riving knife, as shown in **Figure 54**.

8. Tighten the center bolt to secure the riving knife in position.
9. Use a straightedge to check the riving knife alignment with the blade. The riving knife should be directly behind the blade in the "Alignment Zone" area shown in **Figure 55**.
 - If the riving knife is not aligned, it must be bent into alignment by hand or adjusted at the mounting block, by shimming it out with shim stock or electrical washers.
10. Re-install the upper blade guard, close the lower blade guard, and move the sliding table back to center.

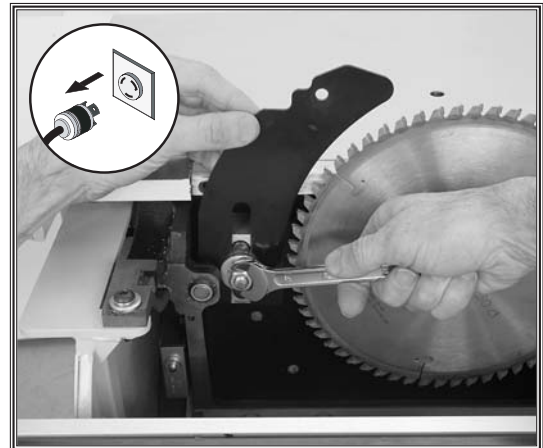


Figure 53. Adjusting the riving knife.

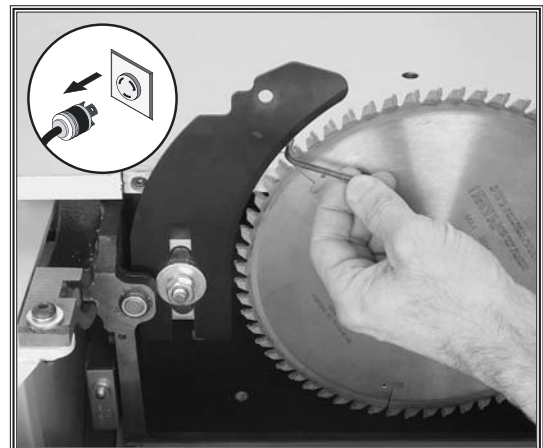


Figure 54. Positioning the riving knife.

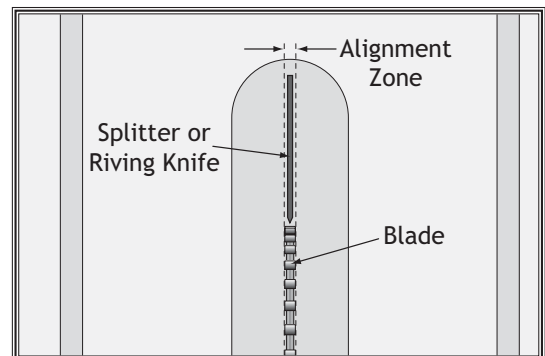


Figure 55. Riving knife alignment with blade.

Scoring Blade Installation & Adjustment

The scoring blade included with the sliding table saw has wedge shaped teeth. The kerf thickness is adjusted by changing the height of the scoring blade.

To change the scoring blade, do these steps:

1. DISCONNECT SAW FROM POWER!
2. Move the blade tilt to 0° (blade 90° to table), and raise the scoring blade all the way up.
3. Move the sliding table all the way forward and pull the internal blade guard open. (The internal blade guard is held in place with a magnet.)
4. Remove the upper blade guard.
5. To remove the scoring blade, insert the arbor lock tool in the table (**Figure 58**), rotate the scoring blade to seat the arbor lock tool, and use the arbor wrenches to remove the arbor nut and arbor flange.

Note: The arbor nut has right-hand threads and loosens by turning counterclockwise.

6. Install the new scoring blade, re-install the arbor flange and the arbor nut, and tighten them against the blade set. There MUST be an arbor flange between the blade and the arbor nut.
7. Unlock the scoring blade controls by inserting a 6mm hex wrench into the controls lock hole shown in **Figure 59** and turning the mechanism inside counterclockwise until loose.
8. Adjust the height of the scoring blade until the exposed portion equals the kerf thickness of the main blade. The scoring blade height control is accessed through the hole in the table (**Figure 59**) and adjusts with a 6mm hex wrench. Use a straightedge to verify that the scoring blade kerf matches the main blade.
9. If the scoring blade is not aligned with the main blade, adjust the blade alignment control (**Figure 59**), using a straightedge as a guide.
10. Tighten the controls lock.
11. Move the lower blade guard back into its original position, and center the sliding table.
12. Perform a test cut and check for chip out on the underside of the test piece. If there is chip out, make the adjustments necessary to match the kerfs.

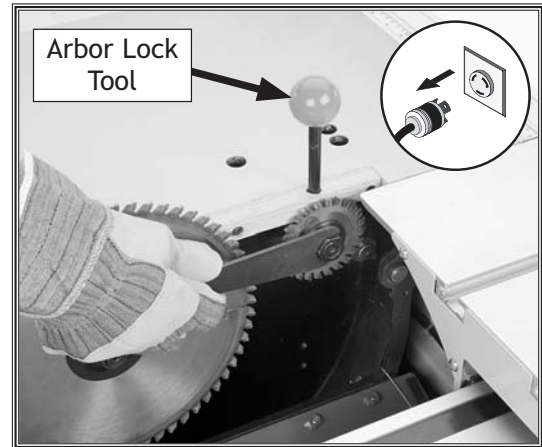


Figure 58. Removing the scoring blade.

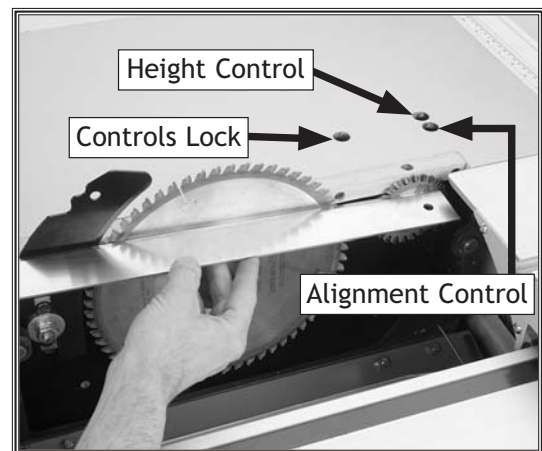


Figure 59. Checking and adjusting scoring blade positioning.

Dado Blade Installation

This saw can only accept a dado blade with $\frac{5}{8}$ " arbor hole and a maximum diameter of 8". The maximum width of dado blade that can be installed is $\frac{13}{16}$ ". Attempting to install a dado blade that is sized larger than these maximum sizes is dangerous and should be avoided. If you have any doubts or questions about the size of dado blade you want to install, call our Technical Support before proceeding.

In order to install a dado blade, the scoring blade must be removed and a zero-clearance table insert must be made specifically for the dado blade you will install. If you plan on making dados at varying widths, we strongly recommend making a zero-clearance table insert for each thickness of dado blade that will be used.

A zero clearance insert can be made for the saw in less than 30 minutes, and can be made of $\frac{3}{4}$ " furniture quality plywood or a hardwood.

Items Needed	Qty
Table Saw	1
Drill Press	1
Sander	1
Drill Bits $\frac{7}{32}$ " and $\frac{13}{32}$ "	1 Each
Plywood/Hardwood Piece 14" x $1\frac{1}{16}$ " x $\frac{3}{4}$ "	1

To make a zero clearance table insert, do these steps:

1. DISCONNECT SAW FROM POWER
2. Lower the main blade all the way down, remove the blade guard, riving knife, and scoring blade. After removing the scoring blade, reinstall the scoring blade flanges and scoring arbor nut and tighten it.
3. Remove the main blade and the mounting spacer behind it (see **Figure 60**).
4. Remove the table insert that came with the saw.
5. Cut the new table insert to the exact length of the included table insert and $1\frac{1}{16}$ " wide.
6. Use the included table insert as a template, as shown in **Figure 61**, to mark the mounting holes on the new table insert. (Clamping the pieces together while you do this will allow you to ensure the hole spacing is exact.)

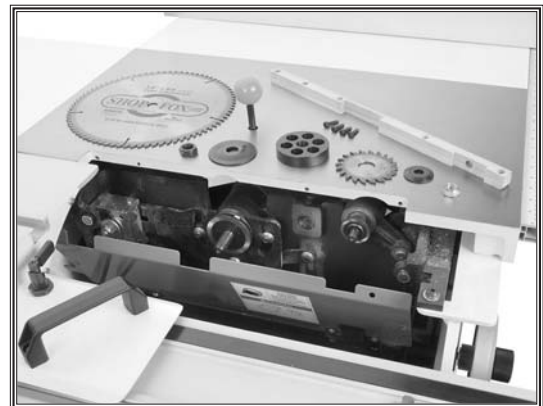


Figure 60. Existing insert removed.

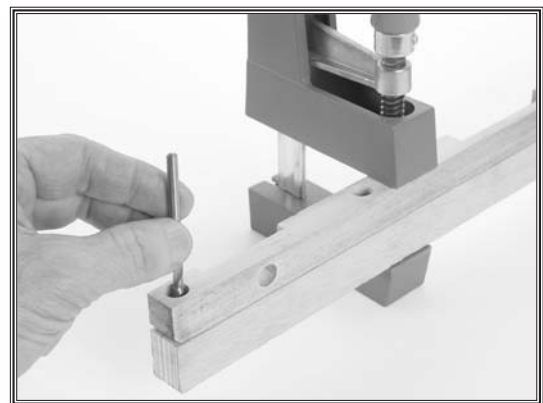


Figure 61. Marking location for mounting holes in new insert.

7. Use the $\frac{7}{32}$ " drill bit to drill holes completely through the new table insert.
8. Install the $\frac{13}{32}$ " drill bit and use the included table insert as a guide to set the depth stop on your drill press to countersink the holes.
9. Countersink the holes you drilled in **Step 7** (see **Figure 62**), so the heads of the mounting screws can be recessed into the table insert when installed.
10. Install the dado blade at the thickness desired, making sure the blade flange is used on the front of the of the blade behind the arbor nut, then lower the blade completely.
11. Test fit the new table insert in the table, then sand the corners or trim the ends as necessary to get a precise fit.
12. Mount the new table insert into the table and check to make sure that it is flush with the top of the table. If necessary, remove the insert and sand the top of it down until it will mount up flush with the table top (see **Figure 63**).
13. Close the cover over the blade and move the sliding table to the center of the saw.
14. Connect the saw to power, start the motor, and slowly raise the blade into the zero clearance table insert (see **Figure 64**).

Once the blade cuts through the top of the table insert, do not raise it higher than you anticipate your cuts to be. Doing so will compromise some of the zero-clearance qualities of your new table insert once the blade is subsequently lowered.

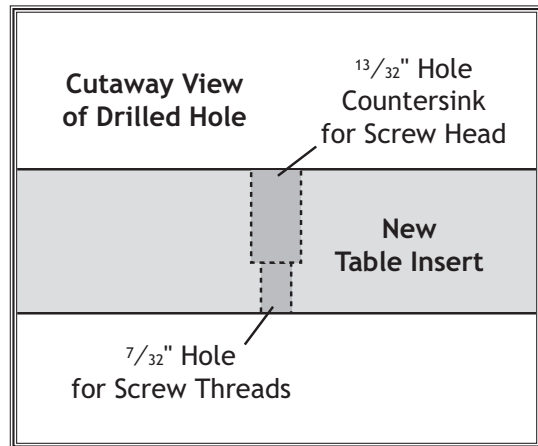


Figure 62. Countersinking mounting holes.



Figure 63. New zero clearance table insert installed.



Figure 64. Dado blade raised into zero-clearance table insert.

Rip Cutting

This saw has the capability of rip cutting large panels (Figure 65). The sliding table removes the burden of sliding a large and heavy panel over a stationary table surface.

This saw also has the capability of rip cutting smaller boards, using the machine as a traditional table saw (Figure 66). Smaller, lighter boards are easier to slide across the stationary cast iron table surface to the right of the saw blade.

Determine which cutting operation will be best suited for the workpiece to be ripped.

- To use the sliding table, read the instructions titled “Rip Cutting w/Sliding Table.”
- To use the machine as a traditional table saw, skip ahead to “Rip Cutting w/Rip Fence.”

Rip Cutting with Sliding Table

1. Install the crosscut fence on the crosscut table, and rotate it until the fence touches the 90° stop bolt (Figure 67).
2. Check to make sure the fence is at 90° and, if necessary, adjust it as described in **Calibrating Crosscut Fence 90° Stops** on Page 58.
3. Slide the fence so the plastic block on the end is next to the blade teeth—this calibrates the scale to zero—then tighten the lock knob.

Note: Avoid cutting the plastic block on the end of the fence.

4. Set a flip stop to the desired width-of-cut.
5. Position the blade guard to the correct height for your workpiece.
6. Load the workpiece onto the table saw. The set up should look similar to Figure 65.
7. Take all the necessary safety precautions, then perform the cutting operation.

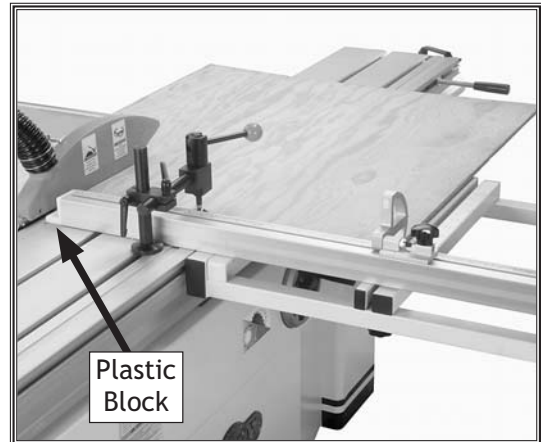


Figure 65. Rip cutting with the sliding table.



Figure 66. Traditional rip cutting.

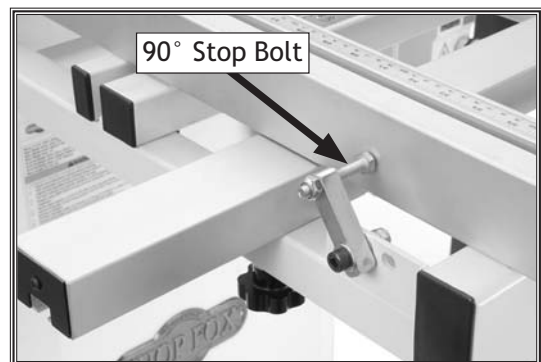


Figure 67. Crosscut fence mounting locations.

OPERATIONS

Rip Cutting with Rip Fence

1. Slide the crosscut table out of the way.
2. Lock the sliding table into a stationary position (see **Figure 68**).

Note: The table will only lock in place when it is centered with the saw cabinet.

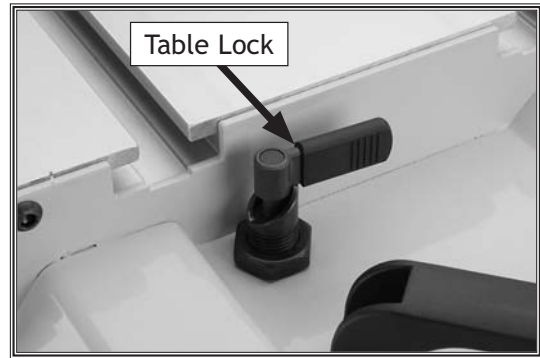


Figure 68. Sliding table lock.

3. Place the rip fence in the vertical position for larger workpieces, or in the horizontal position for angled cuts and for small workpieces (see **Figure 69**).

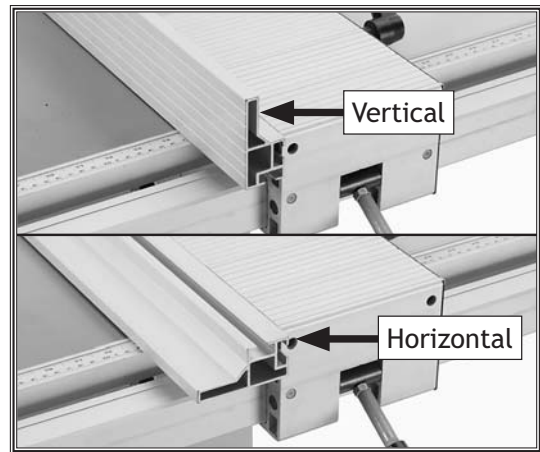


Figure 69. Rip fence positions.

4. Slide the leading end of the rip fence so it is even with the center of the main saw blade as shown in **Figure 70**.

Note: This technique allows the finished cut-off piece to "fall" away from the blade when the cutting operation is complete; reducing the possibility of kickback.

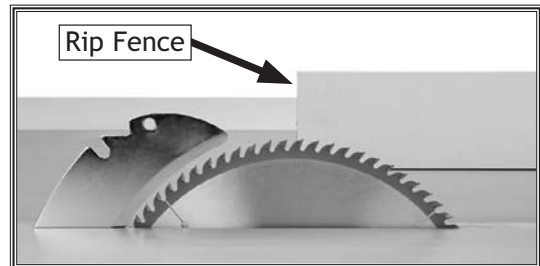


Figure 70. Rip fence even with center of blade (blade guard removed for clarity).

5. Tighten the lock handles (**Figure 71**) to secure the rip fence against the base.
6. Pull up the lock lever to loosen the fence base on the rail, position the fence at the correct distance away from the blade (as needed for the cut), then push down the lock lever to lock the fence base in position.
7. Take all the necessary safety precautions, then make the cut as you would with a traditional table saw.

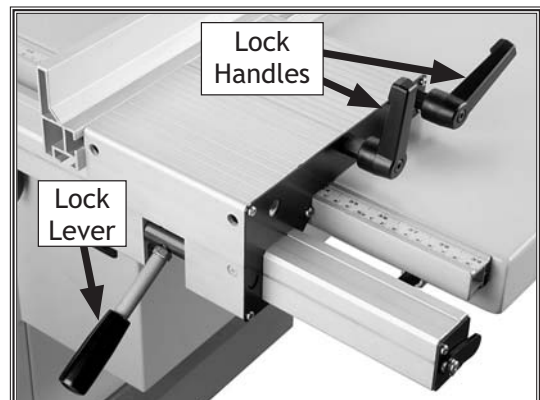


Figure 71. Rip fence micro-adjusting controls.

Crosscutting

This saw can crosscut full size panels with the crosscut fence in the forward or rear position, although it is easier to load full size panels with the crosscut fence mounted in the forward position (see **Figure 72**).

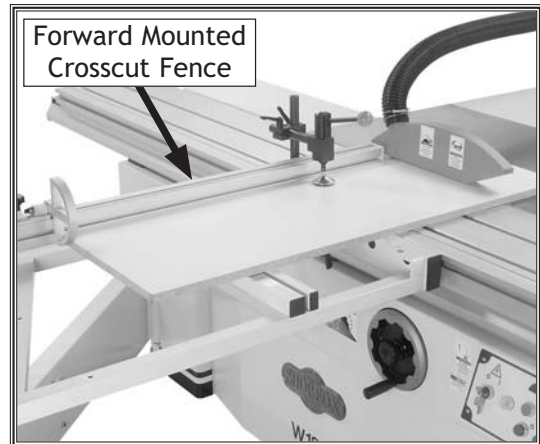


Figure 72. Crosscut fence mounted in forward position.

Mounting the crosscut fence in the rear position (**Figure 73**) gives greater stability for crosscutting smaller panels.

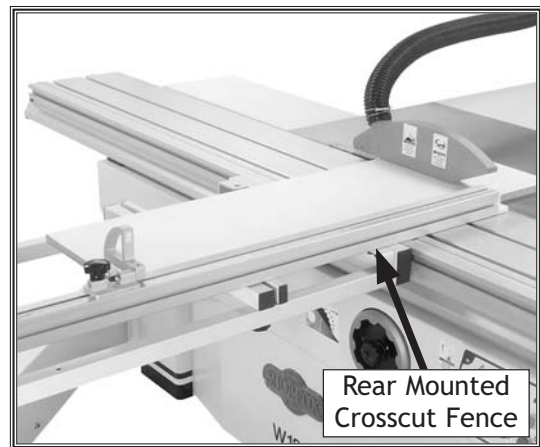


Figure 73. Crosscut fence mounting in rear position.

In addition, this machine has the capability of crosscutting workpieces while using the rip fence as a cut-off gauge (**Figure 74**)—as long as the rip fence is positioned in front of the blade (see **Figure 70**).

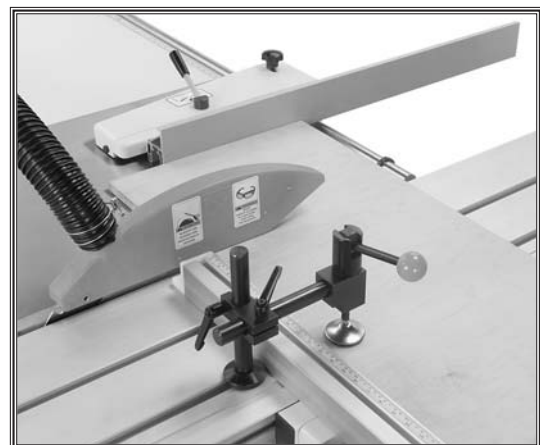


Figure 74. Crosscutting workpieces using the rip fence as a cut-off gauge.

Determine which cutting operation will be best suited for the workpiece to be crosscut.

- If you will be crosscutting full size panels, then skip ahead to **Crosscutting Full Size Panels**.
- If you will be crosscutting smaller panels, then skip ahead to **Crosscutting Smaller Panels**.
- If you will be crosscutting workpieces using the rip fence as a cut-off gauge, then skip ahead to **Crosscutting Using Rip Fence as a Cut-Off Gauge**.

OPERATIONS

Crosscutting Full Size Panels

1. Install the crosscut fence in the forward mounting location shown in **Figure 75** and lock it in place.
2. Check to make sure the fence is at 90°. If necessary, adjust it as described in **Calibrating Crosscut Fence 90° Stops on Page 58**.
3. Set either flip stop to the desired width-of-cut. Extend the crosscut fence slide if the workpiece is more than 74".
4. Load the workpiece onto the table saw (**Figure 72**).
5. Once all the necessary safety precautions have been taken, perform the cutting operation.

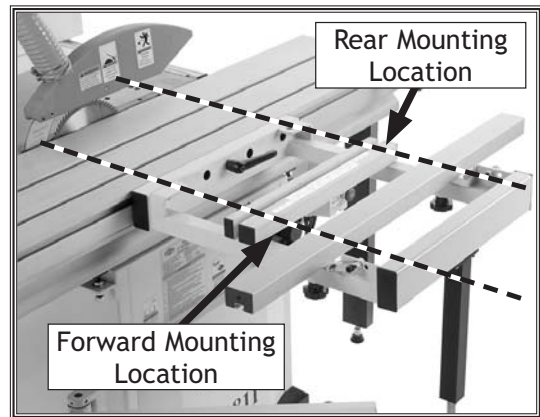


Figure 75. Crosscut fence mounting points.

Crosscutting Smaller Panels

1. Install the crosscut fence in the rear mounting points shown in **Figure 75** and lock it in place.
2. Check to make sure the fence is at 90° and adjust it as described in **Calibrating Crosscut Fence 90° Stops on Page 58** if necessary.
3. Set either flip stop to the desired width-of-cut. Extend the crosscut fence slide if the workpiece is more than 74".
4. Load the workpiece onto the table saw (**Figure 73**).
5. Once all the necessary safety precautions have been taken, perform the cutting operation.

Crosscutting Using Rip Fence as a Cut-Off Gauge

1. Install the crosscut fence in the rear mounting points shown in **Figure 75** and lock it in place.
2. Check to make sure the fence is at 90° and adjust it as described in **Calibrating Crosscut Fence 90° Stops on Page 58** if necessary.
3. Position the rip fence for the desired width.
4. Load the workpiece onto the table saw (**Figure 74**).
5. Slide the leading end of the rip fence behind the front edge of the blade as shown in **Figure 76**. (This step is critical to reduce the risk of blade binding and kickback.)

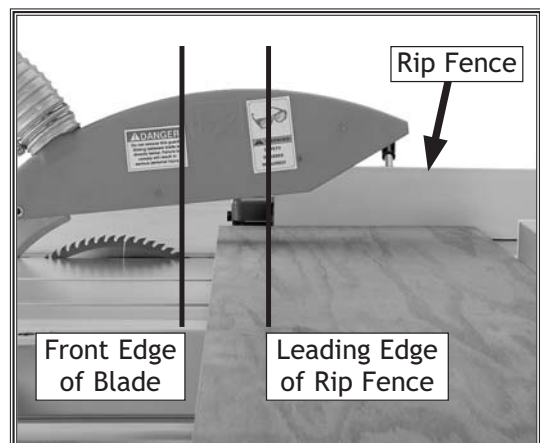


Figure 76. Correct rip fence position when using it as a cut-off gauge.

Miter Cutting

The crosscut fence allows miter cuts from 0° through 135°. The table mounted miter scale has a resolution of 1°.

To perform a miter cut, do these steps:

1. Slide the crosscut table to the front edge of the sliding table and lock it in place.
2. Place the crosscut fence center stud in the left or right stud hole of the crosscut table. The fence can be installed as shown in **Figure 77** for 90° to 135° cuts, or as shown in **Figure 78** for 0° to 90° cuts.
3. Rotate the fence to the desired angle and lock it in place.
4. Position the flip stop according to the length of the workpiece you want to cut off to the left of the blade.
5. Load the workpiece onto the table saw. The setup should look similar to **Figure 78**.
6. Once all the necessary safety precautions have been taken, perform the cutting operation.



Figure 77. Fence set-up for 90° to 135° cuts.



Figure 78. Example of miter cutting operation (0° to 90°).

Dado Cutting

Commonly used in furniture joinery, a dado is a straight channel cut in the face of the workpiece. Dados can be cut using either a dedicated dado blade or a standard saw blade. Refer to **Page 38** to install a dado blade on this saw.

Using a Dado Blade

The table saw motor is pushed to its limits when cutting with a dado blade. To reduce the risk of kickback and personal injury, do not make the full cut in one pass. Instead make multiple light cuts until the cut reaches the desired depth.

To make a dado cut with a dado blade, do these steps:

1. DISCONNECT THE SAW FROM POWER!
2. Remove the table insert, the blade guard, riving knife, and the saw blade.
3. Assemble or adjust the dado blade system according to the dado blade manufacturer's instructions, then install the dado blade as instructed on **Page 38**.
4. Raise the dado blade up to the desired depth of cut (depth of dado channel desired). When cutting deep dados, take more than one pass to reduce the risk of kickback.
5. Adjust the distance between the rip fence and the inside edge of the blade, as shown in **Figure 79**, to dado the length of a workpiece.
6. If dadoing across the workpiece, use the miter gauge and carefully line up the desired cut with the dado blade. DO NOT use the fence in combination with the miter gauge.
7. Reconnect the saw to the power source.

WARNING

Dado operations require proper procedures to avoid serious injury. Extra care must be taken to prevent kickback when using dado blades. Any movement of the workpiece away from the fence will cause kickback. Be certain that stock is flat and straight. Failure to follow these warnings could result in serious personal injury.

WARNING

DO NOT make a through-cut with a dado blade. Dado blades are not designed for through cuts. Failure to follow this warning could result in serious personal injury.

WARNING

The danger of kickback increases relative to the depth and width of a cut. Reduce the risk of kickback by making multiple passes to achieve the desired depth of cut. Failure to follow these warnings could result in serious personal injury.

OPERATIONS

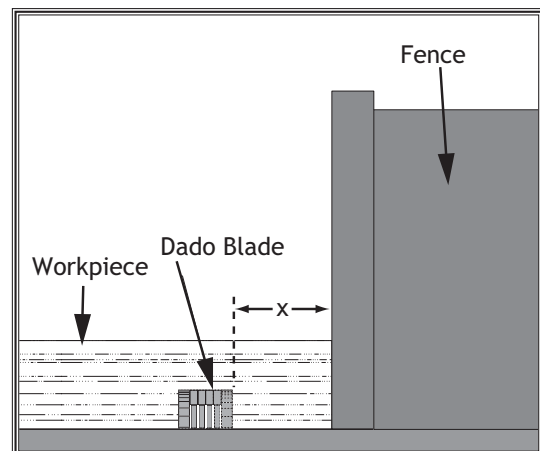


Figure 79. Cutting with dado blade.

8. Turn the saw **ON** and keep one finger ready to push the STOP button. The blade should run smooth with no vibrations.
9. When the blade has reached full speed, perform a test cut with a scrap piece of wood.
10. If the cut is satisfactory, repeat the cut with the actual workpiece.

Using a Standard Blade

When making dado cuts with a standard blade, use a ripping-type blade to reduce motor overloading and blade wear. Also, you will need to remove the blade guard/dust hood, but leave the riving knife installed, making sure that its height is slightly lower than the blade.

To make a dado cut with a standard blade, do these steps:

1. **DISCONNECT THE SAW FROM POWER!**
2. Mark the width of the dado cut on the workpiece. Include marks on the edge of the workpiece so the cut path can be aligned when the workpiece is lying on the table.
3. Raise the blade up to the desired depth of cut (depth of dado channel). When cutting deep dados, take more than one pass to reduce the risk of kickback.
4. If dadoing across the workpiece, use the miter gauge to support the workpiece, and align the blade to cut one of the dado sides. **DO NOT** use the fence in combination with the miter gauge.
5. If dadoing the length of a workpiece, align the blade to cut one of the dado sides as shown in **Figure 80**.
6. Reconnect the saw to the power source and turn the saw **ON**. Allow the blade to reach full speed.
7. Perform the cutting operation.
8. Re-adjust the fence so the blade is aligned with the other edge of the dado channel (**Figure 81**).

Note: *Be sure to keep the cuts within your marks; otherwise, the dado will be too big.*

9. Continue making cuts toward the center of the dado until the dado is complete.

⚠ WARNING

The danger of kickback increases relative to the depth and width of a cut. Reduce the risk of kickback by making multiple passes to achieve the desired depth of cut. Failure to follow these warnings could result in serious personal injury.

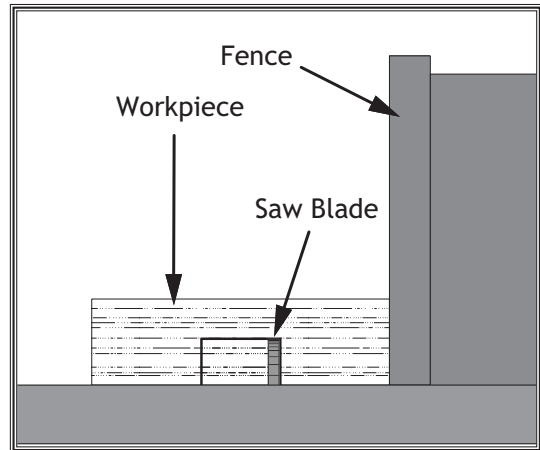


Figure 80. Single-blade dado first cut.

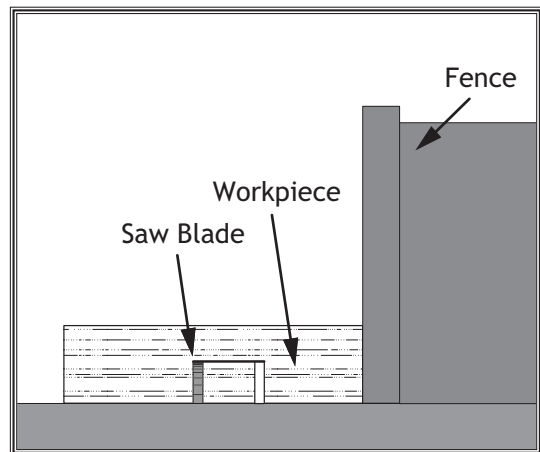


Figure 81. Single-blade dado second cut.

Rabbet Cutting

Commonly used in furniture joinery, a rabbet is an L-shaped groove cut in the edge of the workpiece. Rabbets can be cut with either a dado blade or a standard saw blade.

Attaching a Sacrificial Fence

Rabbet cutting on the edge of the workpiece requires a sacrificial fence attachment (**Figure 82**). Make the sacrificial fence the same length as the fence and $\frac{3}{4}$ " thick. Attach it to the fence with screws or clamps, making sure they are all secure and tight.

Using a Dado Blade

When installing the dado blade, remove the special arbor washer (part #349 in parts breakdown) to allow room for the blade. A blade flange **MUST** always be between the blade and the arbor nut. Refer to the machine data sheet for the maximum width of dado that this saw can cut.

The table saw motor is pushed to its limits when cutting with a dado blade. To reduce the risk of kickback and personal injury, do not make the full cut in one pass. Instead make multiple light cuts until the cut reaches the desired depth.

To make a rabbet cut with a dado blade, do these steps:

1. Lower the blade, position the sacrificial fence over the blade as far as necessary for your rabbet size (see **Figure 83**), then start the saw and raise the blade into the sacrificial fence to the height needed for the rabbet cut.

Note: When cutting deep rabbets, take more than one pass to reduce the risk of kickback.

2. Adjust the fence and align the workpiece to perform the cutting operation as shown in **Figure 83**.
3. Reconnect the saw to the power source and turn the saw **ON**.
4. When the blade has reached full speed, perform a test cut with a scrap piece of wood.
5. If the cut is satisfactory, repeat the cut with the final workpiece.

CAUTION

You may experience kickback during this procedure. Stand to the side of the blade and wear safety glasses or a face shield to prevent injury when cutting rabbets.

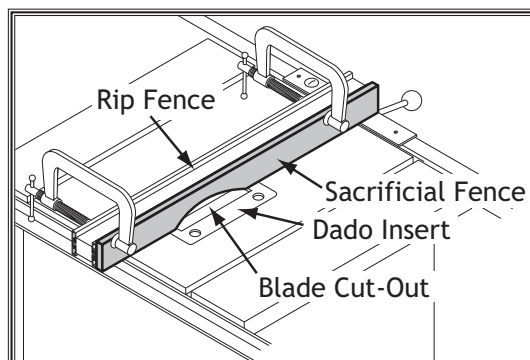


Figure 82. Sacrificial fence.

CAUTION

Always use push sticks, featherboards, push paddles and other safety accessories whenever possible to increase safety and control during operations that require the blade guard and splitter to be removed from the saw. **ALWAYS** replace the blade guard after dadoing is complete.

OPERATIONS

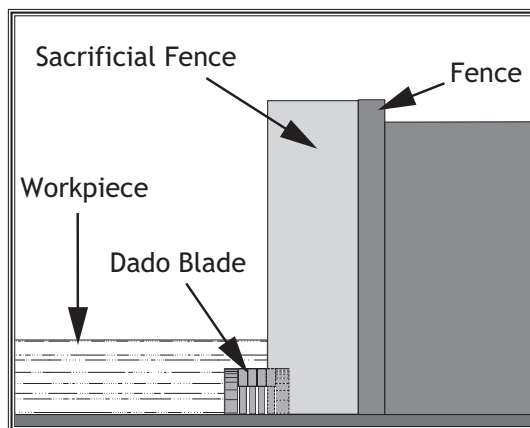


Figure 83. Rabbet cutting.

Using a Standard Blade

When making rabbet cuts with a standard blade, use a ripping-type blade to reduce motor overloading and blade wear. Also, you will need to remove the blade guard/dust hood, but leave the riving knife installed, making sure that its height is slightly lower than the blade.

Note: Cutting rabbets with a standard saw blade DOES NOT require the use of a sacrificial fence.

To make a rabbet cut with a standard blade, do these steps:

1. DISCONNECT THE SAW FROM POWER!
2. Clearly mark the width of the rabbet cut on the workpiece.

Note: Include marks on the edge of the workpiece to clearly identify the intended cut while it is laying flat on the saw table.

3. Raise the blade up to the desired depth of cut (depth of rabbet channel desired). When cutting deep rabbets, take more than one pass to reduce the risk of kickback.
4. Adjust the fence so the blade is aligned with the inside of your rabbet channel as shown in **Figure 84**.
5. Reconnect the saw to the power source and turn the saw **ON**.
6. When the blade has reached full speed, perform a test cut with a scrap piece of wood.
7. If the cut is satisfactory, repeat the cut with the final workpiece.
8. Stand the workpiece on edge as shown in **Figure 85**.
9. Adjust the saw blade height to intersect with the first cut.
10. Perform the second cut to complete the rabbet.

! WARNING

The danger of kickback increases relative to the depth and width of a cut. Reduce the risk of kickback by making multiple passes to achieve the desired depth of cut. Failure to follow these warnings could result in serious personal injury.

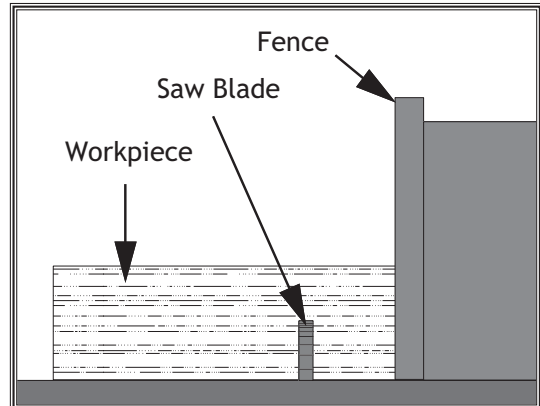


Figure 84. Rabbet cutting with a standard blade.

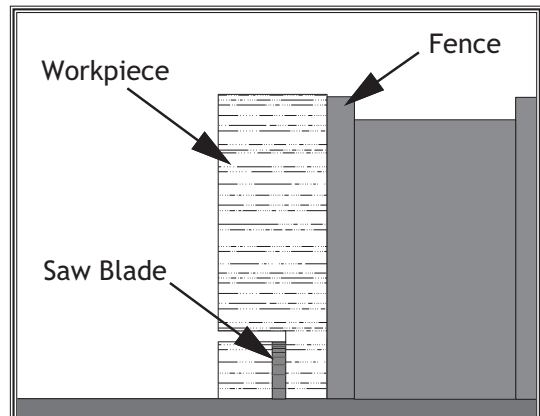


Figure 85. Second cut to create a rabbet.

Resaw Cutting

Resawing is the process of cutting a thick piece of stock into one or more thinner pieces. Bandsaws are ideal for resawing because they make the process fairly easy and safe. A table saw is not intended for resawing and the process is difficult and extremely dangerous.

Resawing on the table saw increases the risk of binding the blade and causing kickback. The risk of kickback increases relative to the depth of a cut. Kickback is more dangerous when resawing on a table saw because the blade guard must be removed, leaving no protection between your hands and the saw blade. Kickback can pull the operator's hands into the blade, or the operator or bystanders may be hit by flying stock. DO NOT resaw on a table saw without using a resaw barrier. DO NOT resaw on a table saw without wearing a full face shield and making sure the riving knife is installed.

The following instructions describe how to build a resaw barrier in order to decrease the risk of resawing cuts.

Note: This table saw can only resaw wood that is 6" or less.

Resaw Barrier

The resaw barrier shown in **Figure 86** holds the workpiece vertical, keeps it aligned with the fence, and keeps your hands away from the blade.

Components Needed for the Resaw Barrier:

Hardwood or Plywood $\frac{3}{4}$ " x $4\frac{1}{4}$ " x 27"	1
Hardwood or Plywood $\frac{3}{4}$ " x 3" x 27"	1
Wood Screws 2"	8
Wood Glue	As Needed

Tools Needed for the Resaw Barrier:

Table Saw	1
Jointer and Planer	Recommended
Clamps	2 Minimum
Drill and Drill Bits	1

To build the resaw barrier, do these steps:

1. Cut two boards to $\frac{3}{4}$ " x $4\frac{1}{4}$ " x 27" and $\frac{3}{4}$ " x 3" x 27". If you are using hardwood, cut the boards over-size, then joint and plane the boards to the correct size to make sure the boards are square and flat.

Note: Only use furniture grade plywood or kiln-dried hardwood to prevent warping.

! WARNING

Resawing on a table saw increases the chances of kickback. Serious injury can be caused by kickback. Kickback is a high-speed expulsion of stock from the table saw toward an operator. The operator or bystanders may be struck by flying stock, or the operator's hands can be pulled into the blade during the kickback.

! WARNING

Resawing operations require proper procedures to avoid serious injury. Extra care must be taken to prevent kickback when resawing. Any tilting or movement of the workpiece away from the fence will cause kickback. Be certain that stock is flat and straight. Failure to follow these warnings could result in serious personal injury.

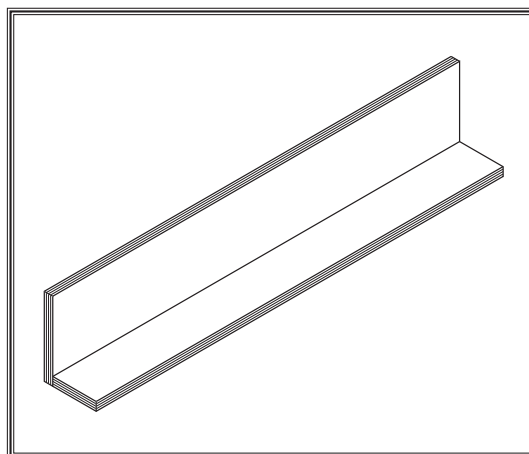


Figure 86. Resawing barrier.

OPERATIONS

2. Pre-drill and countersink 8 pilot holes approximately $\frac{3}{8}$ " from the bottom of the $4\frac{1}{4}$ " tall board.
3. Glue the end of the 3" board, then clamp the boards at a 90° angle with the larger board in the vertical position as shown in **Figure 87**.
4. Secure the joint with wood screws through the pilot holes made in **Step 2**.

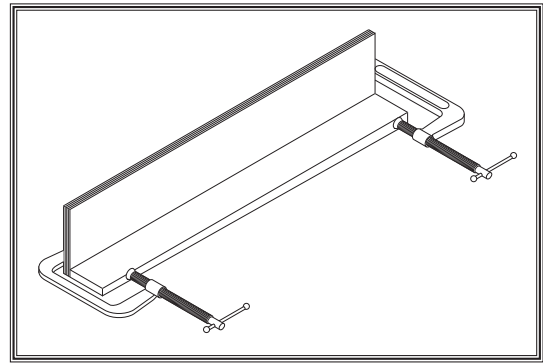


Figure 87. Clamping the resawing barrier.

Resawing Operations

The table saw motor is pushed to its limits when resawing. If the motor starts to bog down, slow down your feed rate. Motor overloading and blade wear can be reduced by using a ripping blade. Ripping blades are designed to clear the sawdust quickly.

Components Needed for Resawing:

Zero Clearance Insert	1
Ripping Blade 10"	1
Clamps.....	2
Shop Made Auxiliary Fence	1
Shop Made Resaw Barrier.....	1

To perform resawing operations, do these steps:

1. DISCONNECT THE SAW FROM POWER!
2. Remove the standard table insert and the blade guard/splitter. Install a ripping blade and lower the blade below the table surface.
3. Attach the auxiliary fence to the standard fence and set it to the desired width.

Note: When figuring out the correct width, don't forget to account for blade kerf and the inaccuracy of the fence scale while the auxiliary fence is installed.

4. Place the workpiece against the fence and slide the resaw barrier against the workpiece. Now clamp the resaw barrier to the top of the table saw (see **Figure 88**).
5. Slide the workpiece over the blade to make sure it moves smoothly.

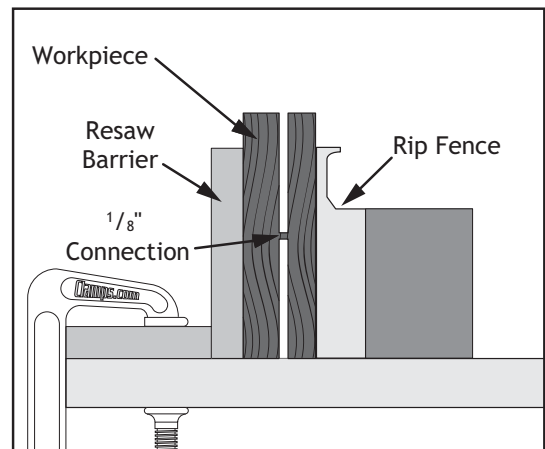


Figure 88. Ideal completed resaw cut.

6. Raise the blade approximately an inch, or close to half the height of the workpiece (**Figure 88**), whichever is less.
7. Plug in the table saw, turn it **ON**, and use a push stick to feed the workpiece through the blade, using a slow and steady feed rate.
8. Flip the workpiece end for end, keeping the same side against the fence, and run the workpiece through the blade.
9. Repeat **Steps 6-8** until the blade is close to half of the height of the board to be resawn. The ideal completed resaw cut will leave an $\frac{1}{8}$ " connection when the resawing is complete as shown in **Figure 88**. Leaving an $\frac{1}{8}$ " connection will reduce the risk of kickback.
10. Turn **OFF** the table saw, then separate the parts of the workpiece and hand plane the remaining ridge.
11. When finished resawing, remove the resaw barrier and re-install the blade guard/splitter.

⚠ WARNING

The danger of kickback increases relative to the depth and width of a cut. Reduce the risk of kickback by making multiple passes to achieve the desired depth of cut. Failure to follow these warnings could result in serious personal injury.

⚠ CAUTION

Always use push sticks, featherboards, push paddles and other safety accessories whenever possible to increase safety and control during operations that require the blade guard and splitter to be removed from the saw. **ALWAYS** replace the blade guard after resawing is complete.

Shop-Made Safety Accessories

Shop-made safety accessories can reduce the risk of injury while operating the table saw.

There are dozens of useful shop-made accessories for the table saw, but two of the most common items that can be easily made are push sticks and featherboards.

- **Push Sticks** made from the shop are very popular among table saw owners because they are inexpensive and easy to make. Particularly good are those that keep your hand a safe distance away from the blade, offer stable support and grip, and are comfortable in the hand. **Figure 89** shows an illustration of a simple push stick.
- **Featherboards** similar to the one in **Figure 90** make good anti-kickback devices. To use these, they must be clamped to the table or fence. The angled ends and flexibility of the fingers allow the workpiece to move in one direction and lock up if the workpiece moves backwards.

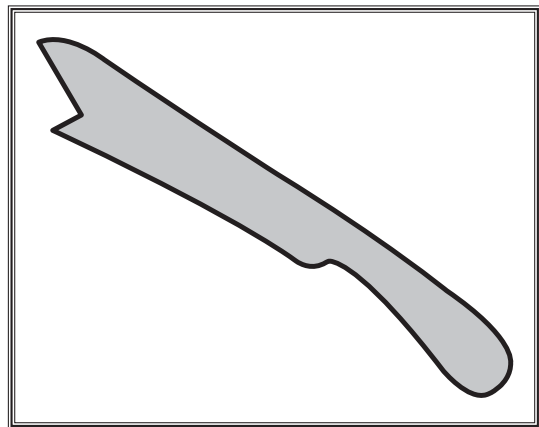


Figure 89. Illustration of a simple push stick.

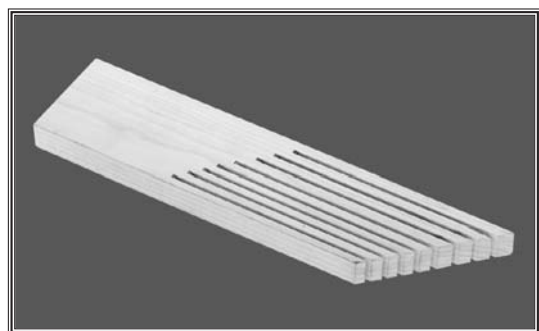


Figure 90. Anti-kickback featherboard.

MAINTENANCE

Schedule

For optimum performance from your machine, follow this maintenance schedule and refer to any specific instructions given in this section.

Daily Check:

- Loose mounting bolts.
- Worn or damaged saw blades.
- Worn or damaged switches or wires.
- Any other unsafe condition.

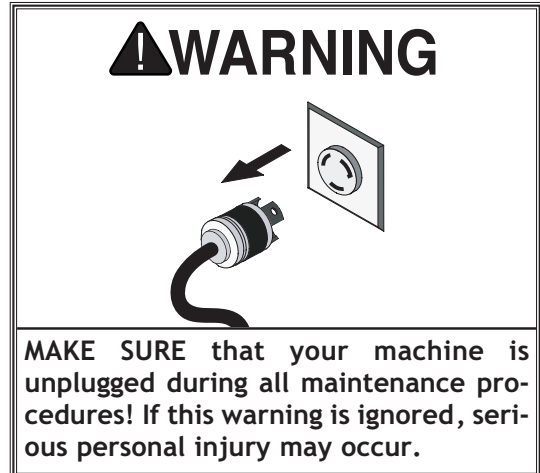
Weekly Maintenance:

- Clean sliding table surface and grooves.
- Clean the cast iron saw table.
- Clean the sliding table roller guideways.
- Clean the rip fence and sliding grooves.
- Clean the rip fence bracket.

Monthly Check:

- Clean/vacuum dust buildup from inside cabinet and off motor.
- V-belt tension, damage, or wear.

Note: To ensure optimum power transmission from the motor to the blades, the belts must be in good condition (free from cracks, fraying and wear) and operate under proper tension.



Cleaning

Frequently blow off sawdust with compressed air. This is especially important for the internal working parts and motor. Dust build-up around the motor is a sure way to decrease its lifespan.

Occasionally it will become necessary to clean the internal parts with more than compressed air. To do this, remove the table top and clean the internal parts with a citrus cleaner or mineral spirits and a stiff brush (a toothbrush works well in tight spaces). Make sure the internal workings are dry before using the saw again so that wood dust will not accumulate. If any essential lubrication is removed during cleaning, relubricate those areas.

Table & Base

Tables can be kept rust-free with regular applications of products like SLIPIT®. For long term storage you may want to consider products like Boeshield T-9™.

Lubrication

Bearings: The bearings are sealed and pre-lubricated and require no lubrication.

Trunnions: Use multi-purpose grease in the trunnion grooves (Figure 92) every 6-12 months, depending on the frequency of use. To grease the blade height trunnion, move the blade height all the way down and smear a dab of grease into the trunnion groove, behind the plate shown in Figure 92, then move the blade up all the way to spread the grease.

To grease the blade tilt trunnions, move the sliding table out of the way and open the blade guard. Tilt the blade to 90°. From the front of the saw, smear a dab of grease in the front of the trunnion grooves on both sides. Now, tilt the blade to 45° and reach inside the cabinet and smear a dab of grease into the back of the trunnion grooves on both sides. Tilt the blade back-and-forth to distribute the grease evenly.

Leadscrews: Use multi-purpose grease on the leadscrews (Figure 92) every 6-12 months, at the same time you lubricate the trunnions. Wipe the leadscrews clean with a dry rag and brush a light coat of new grease on them with a clean, dry brush. Only grease the area of the leadscrew between the stop nuts. Move the blade height and tilt the blade back-and-forth to distribute the grease evenly.

Sliding Table Ways: Spray/wipe on a light machine oil (such as Boeshield) down the entire length of the steel rods (Figure 91).



Figure 91. Sliding table ways.

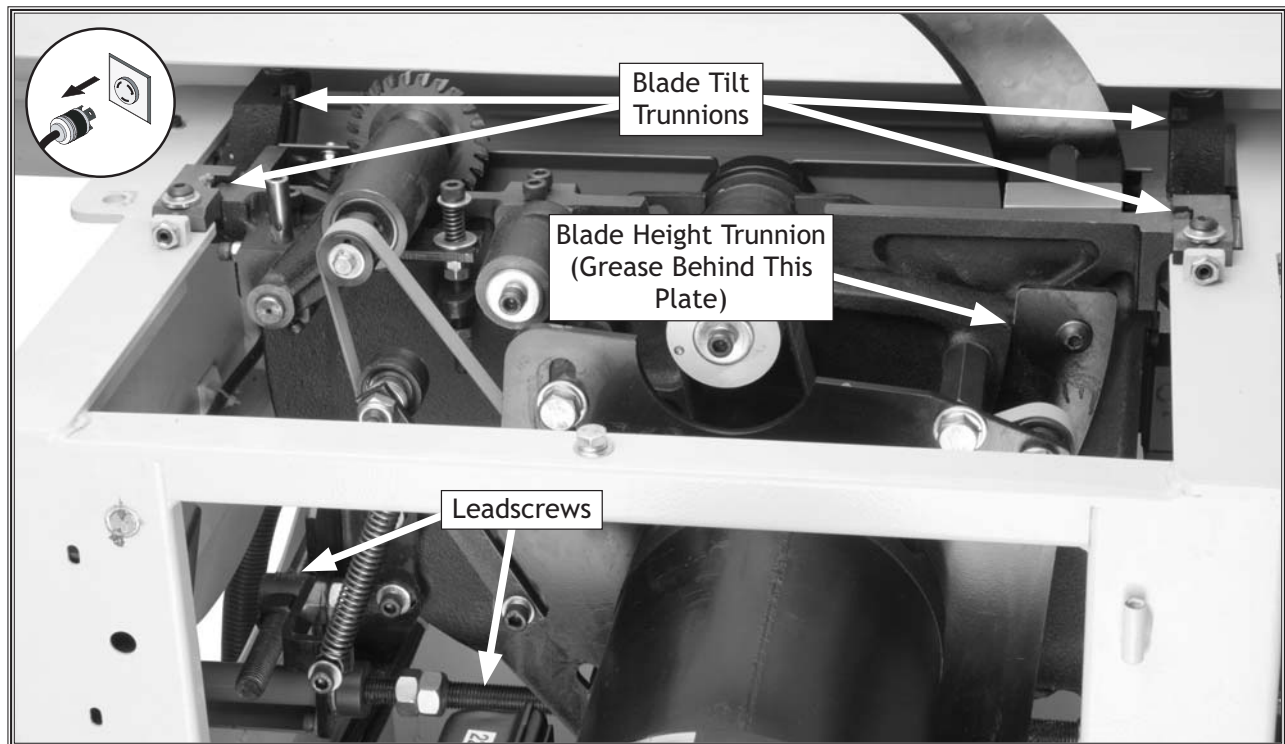


Figure 92. Lubrication locations (table removed for clarity).

MAINTENANCE

SERVICE

General

This section covers the most common service adjustments or procedures that may need to be made during the life of your machine.

If you require additional machine service not included in this section, please contact Woodstock International Technical Support at (360) 734-3482 or send e-mail to: tech-support@shopfox.biz.

Belt Service

Main Belt Replacement

1. DISCONNECT SAW FROM POWER!
2. Tilt the blade to 45° and lower it as far as it will go.
3. Remove the motor cabinet door.
4. Loosen the pivot bolt and two adjustment bolts (Figure 93).

Note: DO NOT loosen these bolts more than 1/2" or you run the risk of the motor mount bolts coming out of their holes, which will be difficult to thread back in.

5. Push and hold the motor all the way up to relieve tension on the belt, remove the belts from the top pulley, and squeeze them between the lower pulley and casting.
6. Fit the new belts onto the pulleys in the same manner that you removed the old belts.
7. Push down on the motor with one hand, and tighten the adjustment and pivot bolts with the other hand or have someone help you. The belts should be tight enough that they only deflect approximately 1/4" when pushed in the center with your thumb or index finger with moderate force.
8. Replace the motor cabinet door.

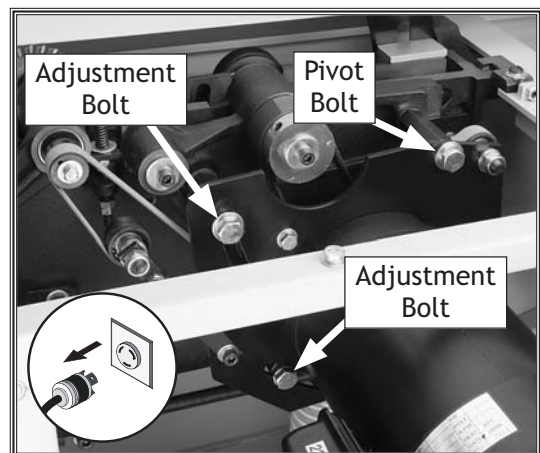
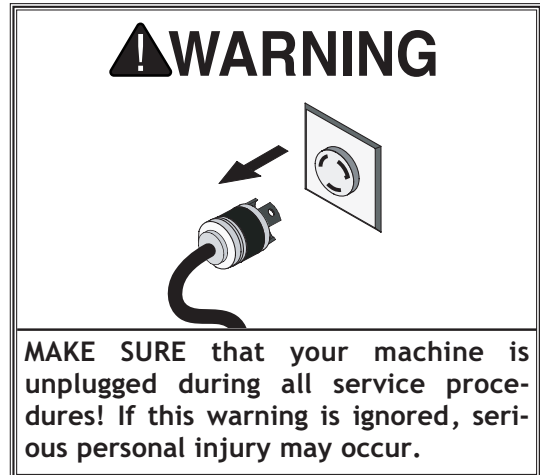


Figure 93. Main blade belt tension controls (table removed for clarity).

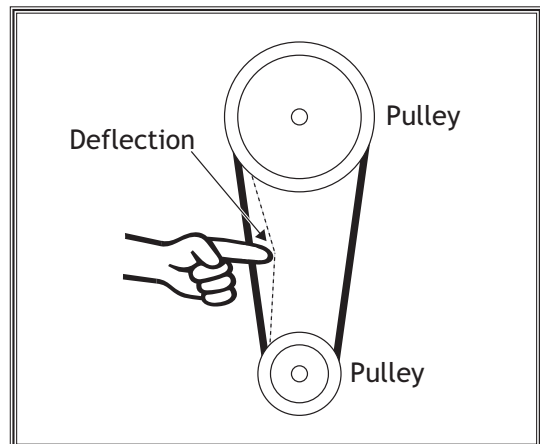


Figure 94. Checking belt deflection.

Scoring Belt Replacement

1. DISCONNECT SAW FROM POWER!
2. Tilt the blade to 45° and lower it as far as it will go.
3. Remove the motor cabinet door.
4. Pull the tensioner away from the scoring belt (**Figure 95**) to relieve belt tension and remove the scoring belt from the pulleys.

Note: Turn the belt sideways to squeeze the flat part through the small gap between the bottom pulley and the casting.

5. Put the new scoring belt on the pulleys as shown in **Figure 96**, and push the tensioner against the scoring belt to take up any slack.
6. Replace the motor cabinet door.

Blade Tilt Calibration

The blade tilt is calibrated at the factory, but can be recalibrated if it changes during the life of the machine. The 0° stop positions the blade square with the table.

0° Stop

1. DISCONNECT SAW FROM POWER!
2. Move the blade tilt to 0° according to the gauge, and raise the main blade as far as it will go.
3. Use a machinist's square to check if the blade is square to the table.
 - If the blade is not square to the table, loosen the two set screws that secure the 0° tilt stop nut shown in **Figure 97**.
4. Adjust the stop nut and recheck the blade tilt as many times as necessary until the blade is square to the table.
5. Tighten the two set screws in the stop nut.
6. Check the blade tilt pointer mechanism to ensure that it points to 0°.
 - If the blade tilt pointer shows an incorrect tilt, adjust it by loosening the cap screws, rotating the pointer until it points to 0°, then tightening the cap screws.

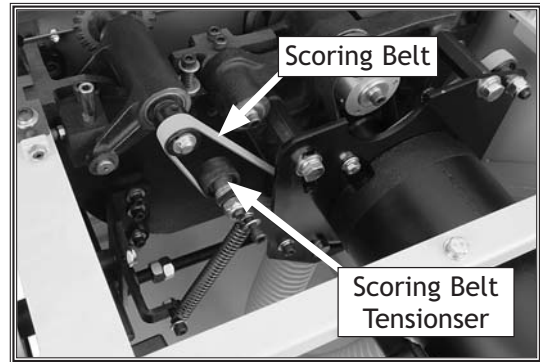


Figure 95. Replacing the scoring motor belt (table removed for clarity).

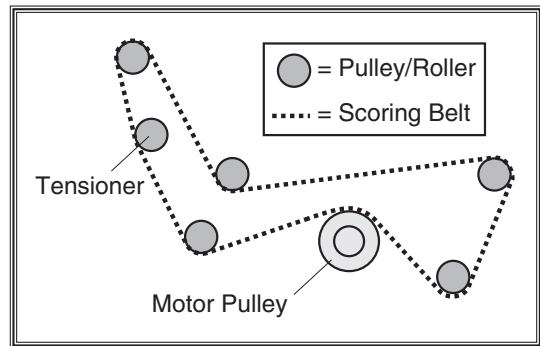


Figure 96. Scoring belt installation configuration.

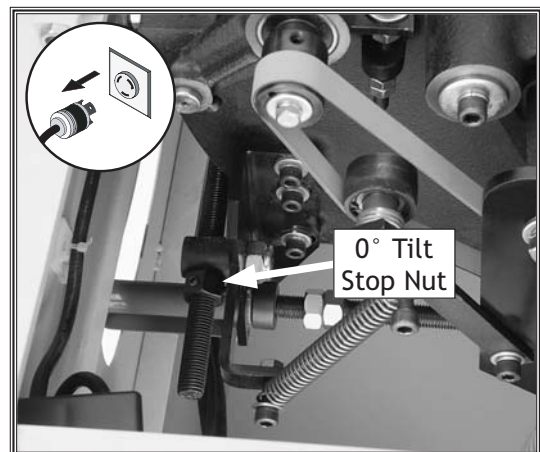


Figure 97. Blade tilt stop nut (0°).

45° Stop

1. DISCONNECT SAW FROM POWER!
2. Adjust the blade angle until it hits the 45° positive stop and check the blade angle with a 45° square.
 - If the blade is not 45° to the table, loosen the two set screws that secure the 45° tilt stop nut shown in **Figure 98**. (This nut can also be accessed from the front of the saw by moving the sliding table all the way forward.)
3. Adjust the stop nut and recheck the blade tilt as many times as necessary until the blade is 45° to the table.
4. Tighten the two set screws in the stop nut.

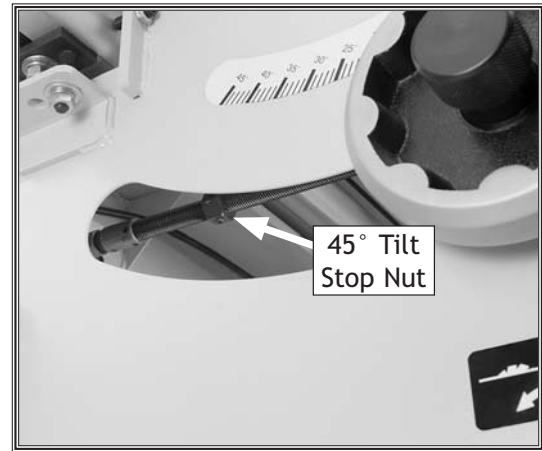


Figure 98. 45° Blade tilt stop nut.

Sliding Table Parallelism

The table is calibrated at the factory, but can be adjusted slightly if it is not parallel to the blade.

Besides the tools included with the saw, this procedure requires a felt tip pen, an adjustable square, and a set of feeler gauges or a dial indicator.

Note: Using a dial indicator will provide much more accurate results.

To adjust the sliding table parallel with the main blade, do these steps:

1. DISCONNECT SAW FROM POWER!
2. Move the blade tilt to 0° (blade 90° to table), and raise the main blade up to maximum height.
3. Mark the edge of the blade with a felt tip pen. This will allow you to take your measurements from the exact same place on the blade.
4. Using an adjustable square or a dial indicator, measure the distance (A) between the miter slot and the front of the blade, as shown in **Figure 99**.
5. Rotate the blade 180° and slide the table with the measuring device to position B.

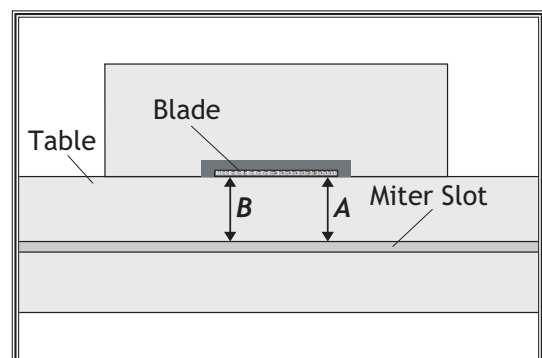


Figure 99. Measuring gap between the table and the blade.

6. Measure the difference between the two positions (use the feeler gauge if using the adjustable square). Make note of the difference between the two measurements.
 - If the gap is the same on both sides or the difference is 0.004" or less, no adjustments to the table parallelism need to be made.
 - If the difference is greater than 0.004", then the sliding table parallelism must be adjusted. Proceed to **Step 7**.
7. Loosen the sliding table mounting nuts (see **Figure 100**) at both mounting locations.
8. At the side of the table that needs to move, loosen the hex nut on the parallel adjustment screw.
9. Slowly rotate the parallel adjustment screw (**Figure 100**) as necessary to move the table. If you move the adjustment screw away from the table, then push the table against the screw before proceeding.
10. Tighten the hex nut on the parallel adjustment screw to secure it in place, and tighten the table mounting nuts.
11. Repeat **Steps 4-6** to ensure the table didn't move.

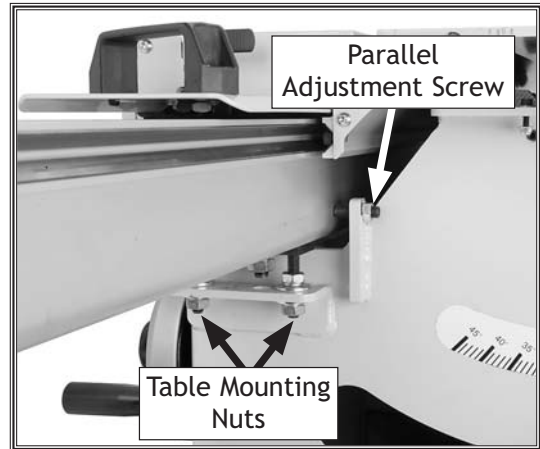


Figure 100. Table parallelism adjustment controls.

NOTICE

If the sliding table will not move far enough to become parallel, the blade trunnions need to be shifted. Call Tech Support.

Sliding Table Adjustment

The sliding table features an adjustment bar with bolts that control how easily the sliding table moves across the base (see **Figure 101**). These adjustment bolts are factory set. They can only be accessed by removing the end covers from both ends of the sliding table base and sliding the plastic plate out of the way.

If the adjustment bolts do require adjustments, turning them counterclockwise increases pressure against the steel rails. This reduces table movement slop, which increases accuracy, but makes it harder to slide the table.

Turning the adjustment bolts clockwise decreases the pressure against the steel rails. This increases table movement slop, which reduces accuracy, but makes it easier to slide the table.

Adjusting this part of the sliding table correctly is a matter of trial-and-error by making adjustments, moving the sliding table, then making additional adjustments. Ultimately, the table must move easily without any slop.

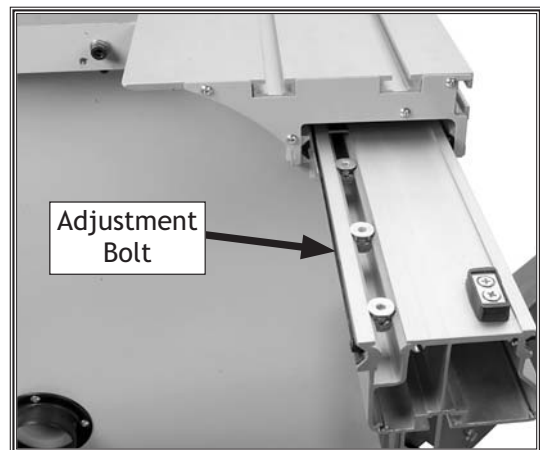


Figure 101. Adjustment bolt access location.

Calibrating Crosscut Fence 90° Stops

Squaring the crosscut fence to the blade ensures that cuts made with the crosscut fence will be square. This procedure can be done by using a piece of scrap plywood as a test piece and making five test cuts, then adjusting the fence as necessary.

To square the crosscut fence with the blade, do these steps:

1. Make sure the blade is parallel with the sliding table and that the crosscut fence is resting against the 90° stop bolt (see **Figure 103** for locations).
2. Prepare the scrap test piece by cutting it to 32" x 32", then number all four sides of the test piece.
3. Use the crosscut fence to cut 1/2" off of each side of the test piece, then cut side 1 again (make five cuts total).
4. Measure the test piece diagonally from corner-to-corner as shown in **Figure 102**.
 - If both measurements are not within 1/16", then the crosscut fence needs to be adjusted. Proceed to **Steps 5-8**.
 - If both measurements are within 1/16" then no adjustments need to be made. You are finished with this procedure.
5. Loosen the knob on the crosscut fence to allow it to pivot (make sure 90° stop bolt remains against the fence during adjustments).
6. Loosen the hex nut on the 90° stop bolt shown in **Figure 103**, and rotate the 90° stop bolt to square the crosscut fence.
7. Tighten the hex nut on the 90° stop bolt, then tighten the crosscut fence knob, making sure the block is touching the 90° stop bolt.
8. Repeat **Steps 3-4**.

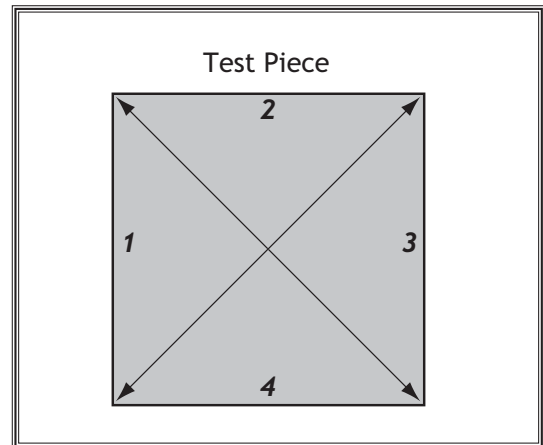


Figure 102. Fence adjustment test piece.

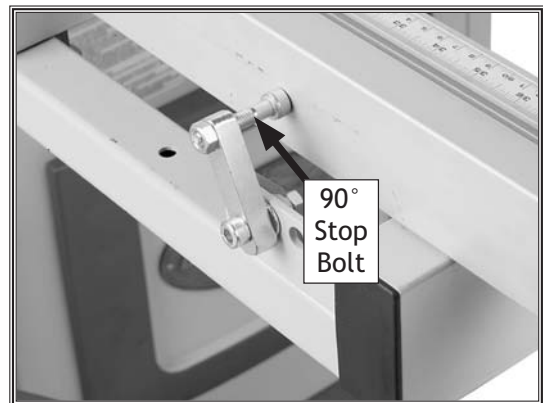


Figure 103. Crosscut fence adjustment cam.

Electrical Safety Instructions

These pages are current at the time of printing. However, in the spirit of improvement, we may make changes to the electrical systems of future machines. Study this diagram carefully. If you notice differences between your machine and these wiring diagrams, call Woodstock International Technical Support at (360) 734-3482.

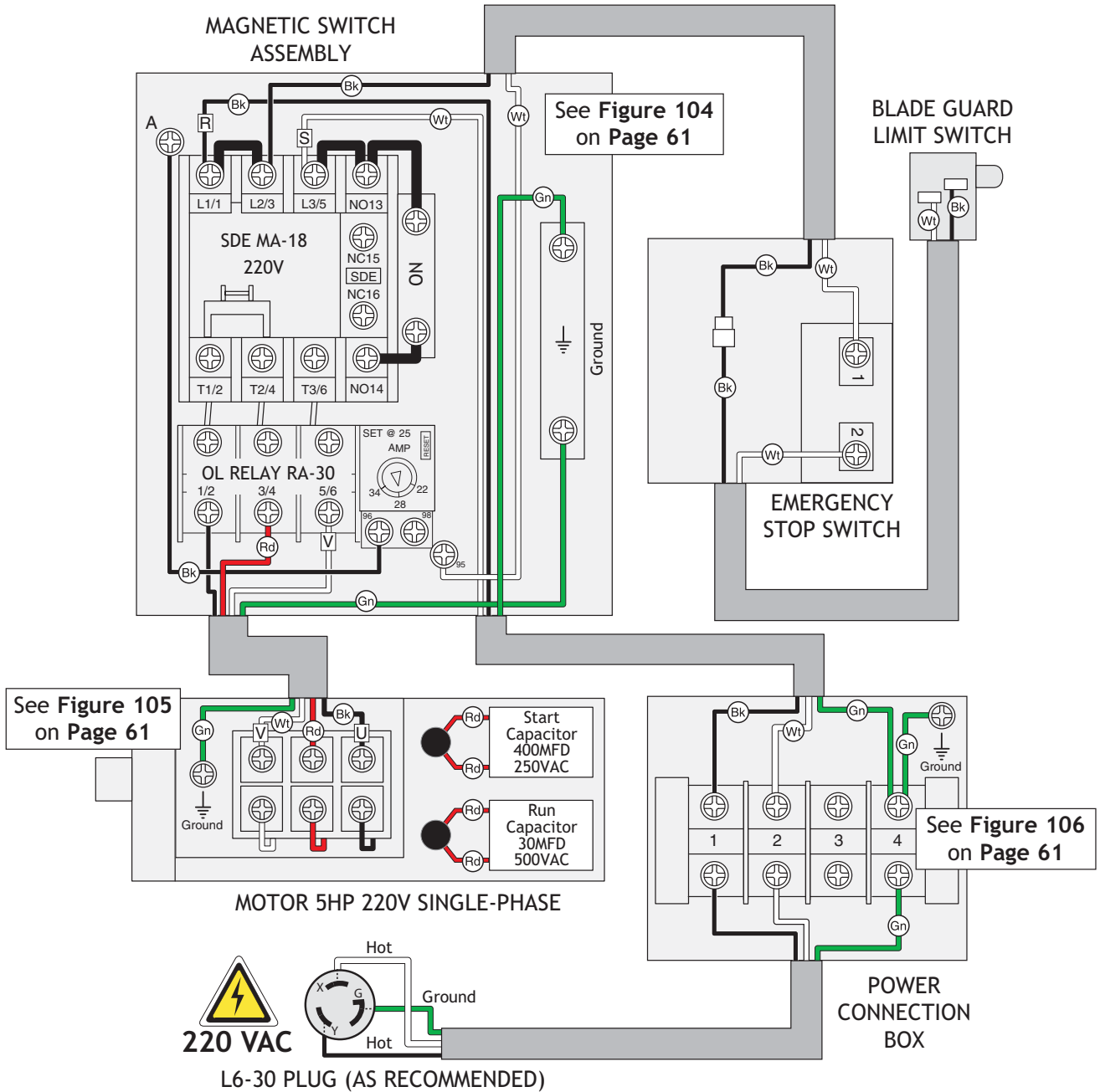
⚠ WARNING

- SHOCK HAZARD.** Working on wiring that is connected to a power source is extremely dangerous. Touching electrified parts will result in personal injury including but not limited to severe burns, electrocution, or death. Disconnect the power from the machine before servicing electrical components!
- QUALIFIED ELECTRICIAN.** Due to the inherent hazards of electricity, only a qualified electrician should perform wiring tasks on this machine. If you are not a qualified electrician, get help from one before attempting any kind of wiring job.
- WIRE CONNECTIONS.** All connections must be tight to prevent wires from loosening during machine operation. Double-check all wires disconnected or connected during any wiring task to ensure tight connections.
- WIRE/COMPONENT DAMAGE.** Damaged wires or components increase the risk of serious personal injury, fire, or machine damage. If you notice that any wires or components are damaged while performing a wiring task, replace those wires or components before completing the task.
- CIRCUIT REQUIREMENTS.** You **MUST** follow the requirements on **Page 12** when connecting your machine to a power source.
- MOTOR WIRING.** The motor wiring shown in these diagrams is current at the time of printing, but it may not match your machine. Always use the wiring diagram inside the motor junction box.
- CAPACITORS.** Some capacitors store an electrical charge for up to five minutes after being disconnected from the power source. To avoid being shocked, wait at least this long before working on capacitors.
- MODIFICATIONS.** Using aftermarket parts or modifying the wiring beyond what is shown in the diagram may lead to unpredictable results, including serious injury or fire.
- EXPERIENCING DIFFICULTIES.** If you are experiencing difficulties understanding the information included in this section, contact our Technical Support at (360) 734-3482.

<p>NOTICE</p> <p>The photos and diagrams included in this section are best viewed in color. You can view these pages in color at www.shopfox.biz.</p>	WIRING DIAGRAM COLOR KEY			
	<p>BLACK </p> <p>WHITE </p> <p>GREEN </p> <p>RED </p>	<p>BLUE </p> <p>BROWN </p> <p>GRAY </p> <p>ORANGE </p>	<p>YELLOW </p> <p>YELLOW GREEN </p> <p>PURPLE </p> <p>PINK </p>	<p>LIGHT BLUE </p> <p>BLUE WHITE </p> <p>TURQUOISE </p>

SERVICE

Wiring Diagram



SERVICE

Electrical Pictures



Figure 104. Magnetic switch.



Figure 105. Motor junction box.

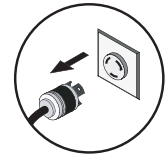


Figure 106. Power connection junction box.

SERVICE

Troubleshooting

This section covers the most common problems and corrections with this type of machine. **WARNING! DO NOT** make any adjustments until power is disconnected and moving parts have come to a complete stop!



Motor & Electrical

PROBLEM	POSSIBLE CAUSE	CORRECTIVE ACTION
Machine does not start or a breaker trips.	<ol style="list-style-type: none"> 1. Emergency stop push-button is engaged/faulty. 2. Power supply switched OFF or is at fault. 3. Blade guard limit switch engaged/ at fault. 4. Motor connection wired incorrectly. 5. Thermal overload relay has tripped. 6. Wall fuse/circuit breaker is blown/ tripped. 7. Contactor not getting energized/ has burnt contacts. 8. Wiring is open/has high resistance. 9. Motor ON button or ON/OFF switch is at fault. 10. Motor is at fault. 	<ol style="list-style-type: none"> 1. Rotate clockwise slightly until it pops out/replace it. 2. Ensure power supply is switch on; ensure power supply has the correct voltage. 3. Move blade guard to the working position; replace faulty limit switch. 4. Correct motor wiring connections. 5. Turn cut-out dial to increase working amps and push the reset pin. Replace if tripped multiple times (weak relay). 6. Ensure circuit size is suitable for this machine; replace weak breaker. 7. Test for power on all legs and contactor operation. Replace unit if faulty. 8. Check for broken wires or disconnected/corroded connections, and repair/replace as necessary. 9. Replace faulty ON button or ON/OFF switch. 10. Test/repair/replace.
Machine stalls or is under-powered.	<ol style="list-style-type: none"> 1. Feed rate/cutting speed too fast for task. 2. Workpiece material is not suitable for this machine. 3. Belt(s) slipping. 4. Motor connection is wired incorrectly. 5. Motor bearings are at fault. 6. Start delay module is at fault. 7. Motor is at fault. 	<ol style="list-style-type: none"> 1. Decrease feed rate/cutting speed. 2. Only cut wood products; make sure moisture content is below 20% and there are no foreign materials in the workpiece. 3. Replace bad belt(s), align pulleys, and re-tension. 4. Correct motor wiring connections. 5. Test by rotating shaft; rotational grinding/loose shaft requires bearing replacement. 6. Adjust to correct delay; replace module. 7. Test/repair/replace.

SERVICE

PROBLEM	POSSIBLE CAUSE	CORRECTIVE ACTION
Machine has vibration or noisy operation.	<ol style="list-style-type: none"> 1. Motor or component is loose. 2. Blade is at fault. 3. Belt(s) worn or loose. 4. Pulley is loose. 5. Motor mount loose/broken. 6. Machine is incorrectly mounted or sits unevenly. 7. Arbor pulley is loose. 8. Motor fan is rubbing on fan cover. 9. Arbor bearings are at fault. 10. Motor bearings are at fault. 	<ol style="list-style-type: none"> 1. Inspect/replace stripped or damaged bolts/nuts, and re-tighten with thread locking fluid. 2. Replace warped, bent, or twisted blade; resharpen dull blade. 3. Inspect/replace belts (refer to Page 54). 4. Realign/replace shaft, pulley, setscrew, and key as required. 5. Tighten/replace. 6. Tighten/replace anchor studs in floor; relocate/shim machine. 7. Retighten/replace arbor pulley with shaft and thread locking liquid. 8. Replace dented fan cover; replace loose/damaged fan. 9. Replace arbor housing bearings; replace arbor. 10. Test by rotating shaft; rotational grinding/loose shaft requires bearing replacement.

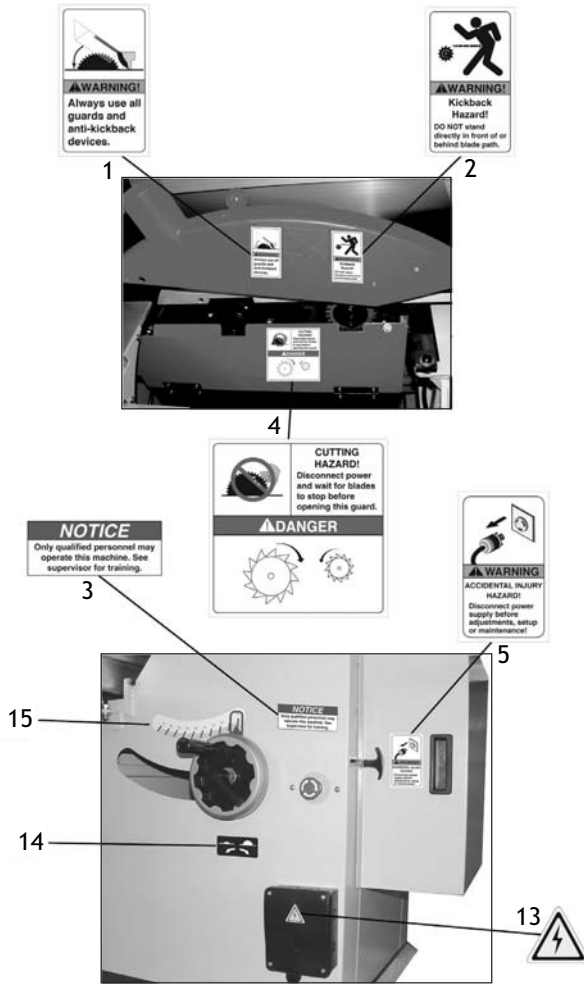
Operation

PROBLEM	POSSIBLE CAUSE	CORRECTIVE ACTION
Workpiece has burned edges, binds, or kicks back.	<ol style="list-style-type: none"> 1. Sliding table is not parallel to blade. 2. Riving knife is not aligned with the blade. 3. Blade is warped. 	<ol style="list-style-type: none"> 1. Make sliding table parallel to the blade (Page 56). 2. Shim the riving knife to align it with the main blade. 3. Replace the blade.
Workpiece has chip out on the bottom edge.	<ol style="list-style-type: none"> 1. Scoring blade height is incorrect. 2. Scoring blade is not aligned with the main blade. 3. Scoring blade kerf does not match the main blade. 	<ol style="list-style-type: none"> 1. Adjust the height of the scoring blade. 2. Align the scoring blade (Page 37). 3. Adjust the scoring blade kerf (Page 37).
Sliding table saw does not cut square.	<ol style="list-style-type: none"> 1. Sliding table is not parallel to blade. 2. Rip fence is not parallel to blade. 3. Crosscut fence is not perpendicular to the blade. 	<ol style="list-style-type: none"> 1. Adjust the sliding table (Page 56). 2. Adjust the rip fence parallel to blade. 3. Adjust the crosscut fence perpendicular to the blade (Page 58).
Fence hits table top when sliding across table.	<ol style="list-style-type: none"> 1. Front rail is too low. 2. Rip fence roller is too low. 	<ol style="list-style-type: none"> 1. Raise the front rail. 2. Adjust the rip fence roller.
Blade does not reach 90°, or blade does not reach 45°.	<ol style="list-style-type: none"> 2. Blade stop bolts are out of adjustment. 	<ol style="list-style-type: none"> 2. Adjust the stop bolts (Page 55).
The rip fence scale is not accurate.	<ol style="list-style-type: none"> 1. The rip fence scale is out of calibration or was not set up correctly. 	<ol style="list-style-type: none"> 1. Adjust the rip fence scale.
Handwheels for blade adjustments will not turn or are difficult to turn.	<ol style="list-style-type: none"> 1. Shipping braces still attached. 2. Lock knob is tight. 3. Gears caked with dust. 	<ol style="list-style-type: none"> 1. Remove shipping braces. 2. Release the lock knob. 3. Clean out dust and grease the gears.

SERVICE

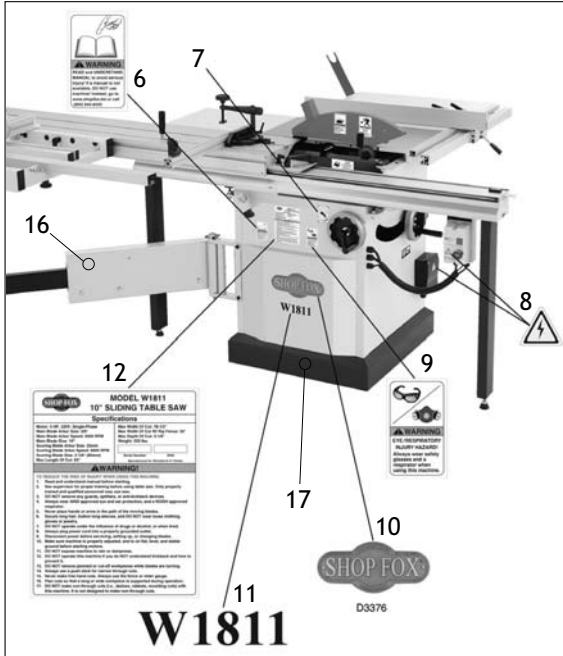
PARTS

Labels & Cosmetics



⚠ WARNING

Safety labels warn about machine hazards and how to prevent machine damage or injury. The owner of this machine **MUST** maintain the original location and readability of all labels on this machine. If any label is removed or becomes unreadable, **REPLACE** that label before allowing the machine to enter service again. Contact Woodstock International, Inc. at (360) 734-3482 or www.shopfoxtools.com to order new labels.

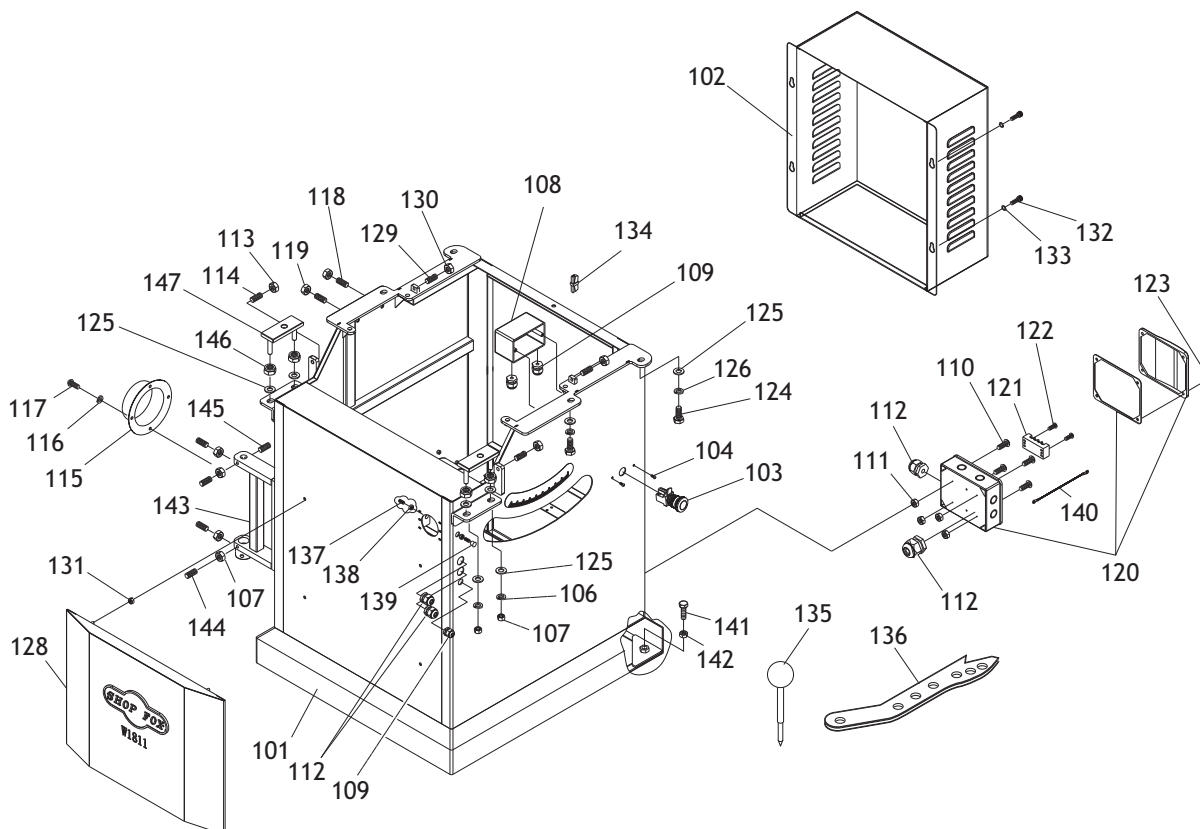


REF	PART #	DESCRIPTION
1	X18110001	TABLE SAW BLADE GUARD LABEL
2	X18110002	KICKBACK HAZARD LABEL
3	X18110003	QUALIFIED PERSONNEL LABEL
4	X18110004	BLADE GUARD DANGER LABEL
5	X18110005	DISCONNECT POWER LABEL
6	XLABEL-12	READ MANUAL LABEL
7	X18110007	BLADE TILT LABEL
8	XLABEL-04S	ELECTRICITY LABEL
9	XLABEL-06	GLASSES/RESPIRATOR LABEL

REF	PART #	DESCRIPTION
10	D3376	SHOP FOX NAMEPLATE
11	X18110011	MODEL # LABEL (W1811)
12	X18110012	MACHINE ID LABEL (W1811)
13	XLABEL-04	ELECTRICITY LABEL
14	X18110014	BLADE ELEVATION LABEL
15	X18110015	BLADE TILT SCALE
16	XPPAINT-1	WHITE TOUCH-UP PAINT
17	XPPAINT-7	BLACK TOUCH-UP PAINT

PARTS

Cabinet

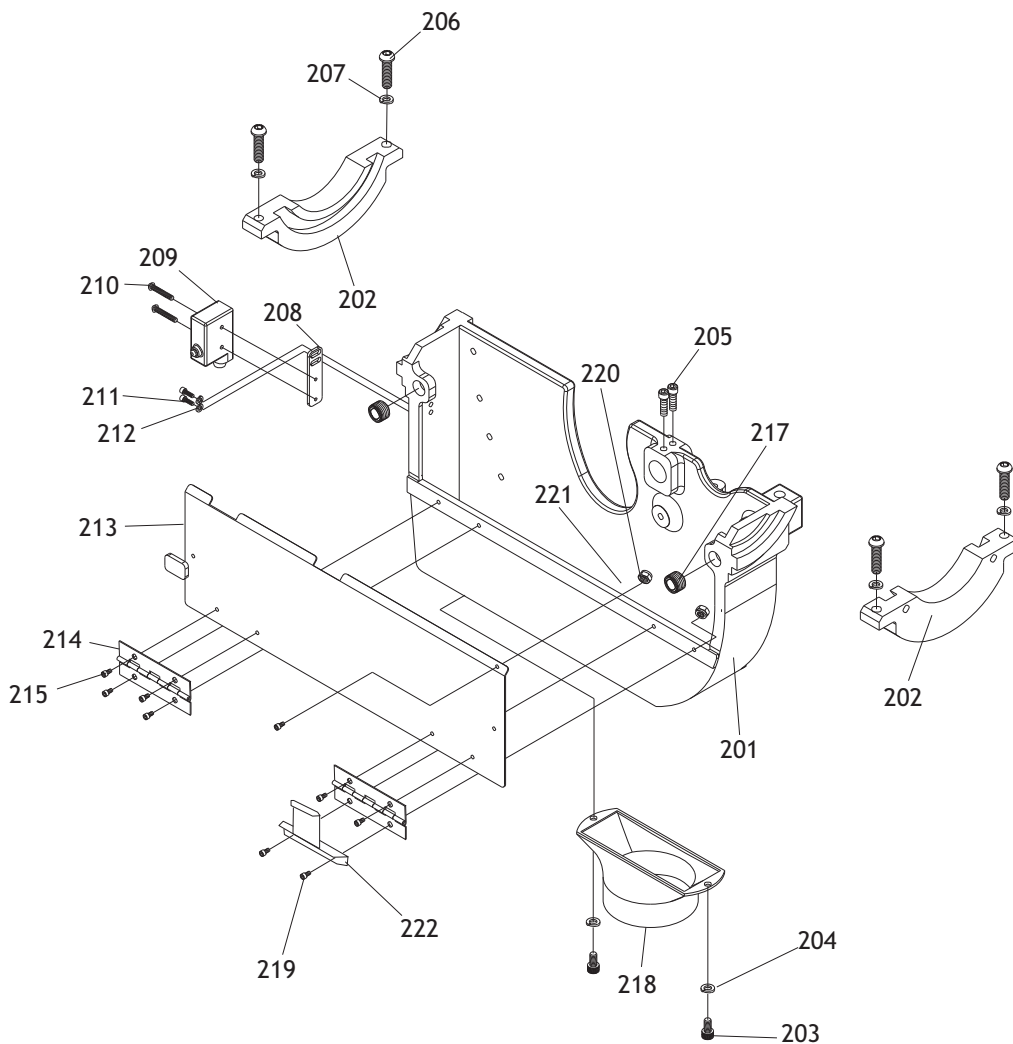


REF	PART #	DESCRIPTION
101	X18110101	CABINET
102	X18110102	COVER PLATE
103	X18110103	EMERGENCY STOP BUTTON
104	XPHTEK19M	TAP SCREW M5 X 16
106	XPLW06M	LOCK WASHER 10MM
107	XPNO2M	HEX NUT M10-1.5
108	X18110108	SWITCH BOX
109	X18110109	STRAIN RELIEF PG-9
110	XPSBS09M	BUTTON HD CAP SCR M6-1 X 12
111	XPNO1M	HEX NUT M6-1
112	X18110112	STRAIN RELIEF PG13.5
113	XPNO2M	HEX NUT M10-1.5
114	XPSS84M	SET SCREW M10-1.5 X 35
115	X18110115	DUST PORT 4"
116	XPLW03M	LOCK WASHER 6MM
117	XPS11M	PHLP HD SCR M6-1 X 16
118	XPSS74M	SET SCREW M8-1.25 X 35
119	XPNO3M	HEX NUT M8-1.25
120	X18110120	POWER CONNECTION BOX
121	X18110121	TERMINAL BLOCK 4-POST
122	X18110122	PHLP HD SCR M3.5-.6 X 20
123	X18110123	BUTTON HD CAP SCR M5-.8 X 35
124	XPB01M	HEX BOLT M10-1.5 X 30

REF	PART #	DESCRIPTION
125	XPWF10M	FENDER WASHER 10MM
126	XPLW06M	LOCK WASHER 10MM
128	X18110128	FRONT PANEL
129	XPSS74M	SET SCREW M8-1.25 X 35
130	XPNO3M	HEX NUT M8-1.25
131	XPNO1M	HEX NUT M6-1
132	XPSB11M	CAP SCREW M8-1.25 X 16
133	XPW01M	FLAT WASHER 8MM
134	X18110134	WIRE CONNECTOR
135	X18110135	ARBOR LOCK TOOL
136	X18110136	PUSH STICK
137	XPSS105M	SET SCREW M12-1.75 X 35
138	XPNO3M	HEX NUT M8-1.25
139	X18110139	PLUG 10MM
140	X18110140	GROUND RETURN WIRE
141	XPB35M	HEX BOLT M12-1.75 X 40
142	XPNO9M	HEX NUT M12-1.75
143	X18110143	HINGE BRACKET
144	XPSS94M	SET SCREW M10-1.5 X 25
145	XPSS01M	SET SCREW M6-1 X 10
146	XPLN05M	LOCK NUT M10-1.5
147	X18110147	S. TABLE MOUNTING PLATE

PARTS

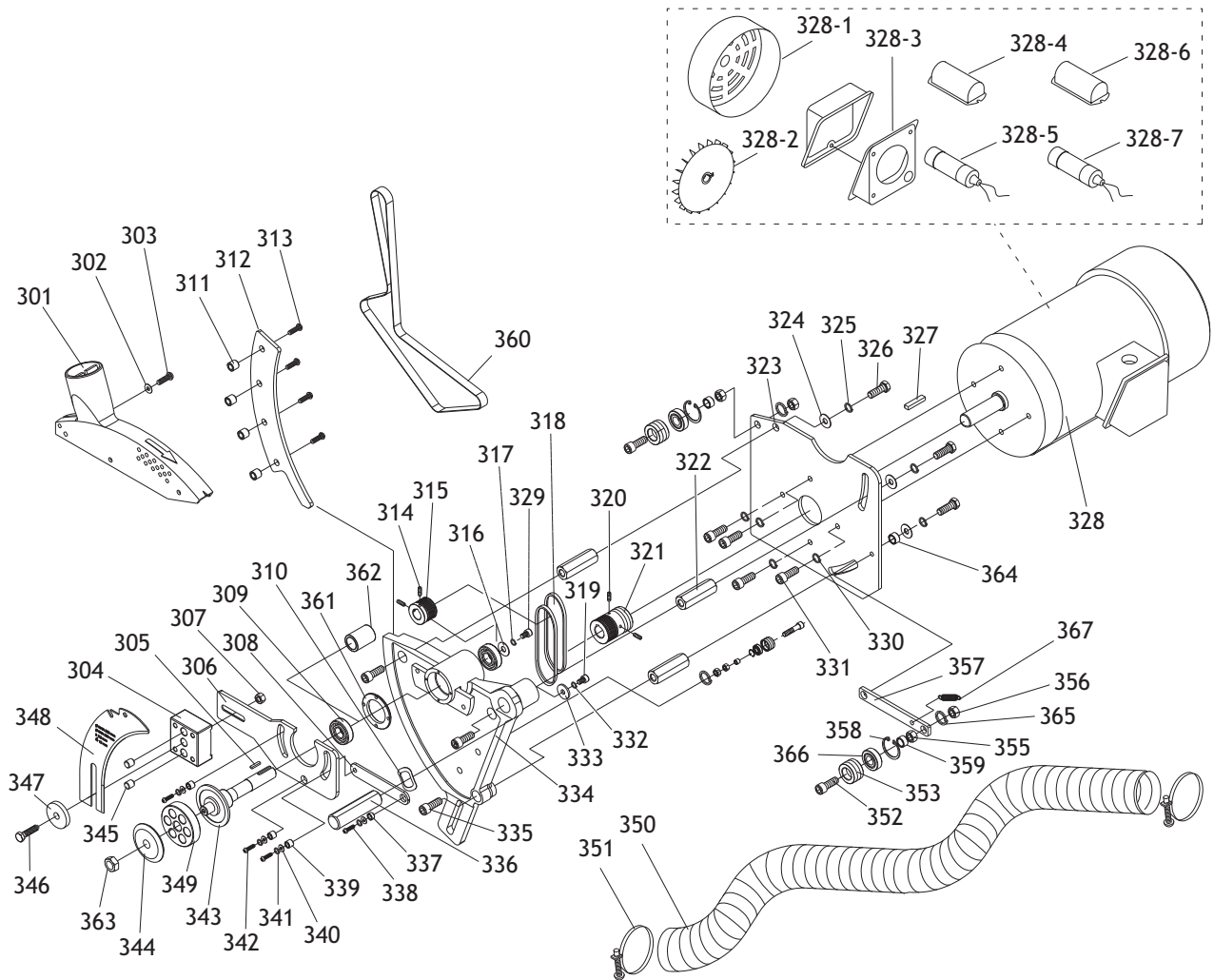
Trunnion



REF	PART #	DESCRIPTION
201	X18110201	CHANNEL BASE
202	X18110202	TRUNNION BRACKET
203	XPSB04M	CAP SCREW M6-1 X 10
204	XPLW03M	LOCK WASHER 6MM
205	XPSB11M	CAP SCREW M8-1.25 X 16
206	XPSBS04M	BUTTON HD CAP SCR M8-1.25 X 35
207	XPLW04M	LOCK WASHER 8MM
208	X18110208	STOP BRACKET
209	X18110209	LIMIT SWITCH AZZ7100
210	XPS18M	PHLP HD SCR M4-.7 X 25
211	XPSB50M	CAP SCREW M5-.8 X 10

REF	PART #	DESCRIPTION
212	XPLW01M	LOCK WASHER 5MM
213	X18110213	BLADE GUARD PLATE
214	X18110214	HINGE
215	XPS09M	PHLP HD SCR M5-.8 X 10
217	X18110217	MAGNET ASSEMBLY
218	X18110218	BLADE SHROUD DUST PORT
219	XPS22M	PHLP HD SCR M5-.8 X 25
220	XPLN02M	LOCK NUT M5-.8
221	XPLW01M	LOCK WASHER 5MM
222	X18110222	KEEPER PLATE

Main Motor

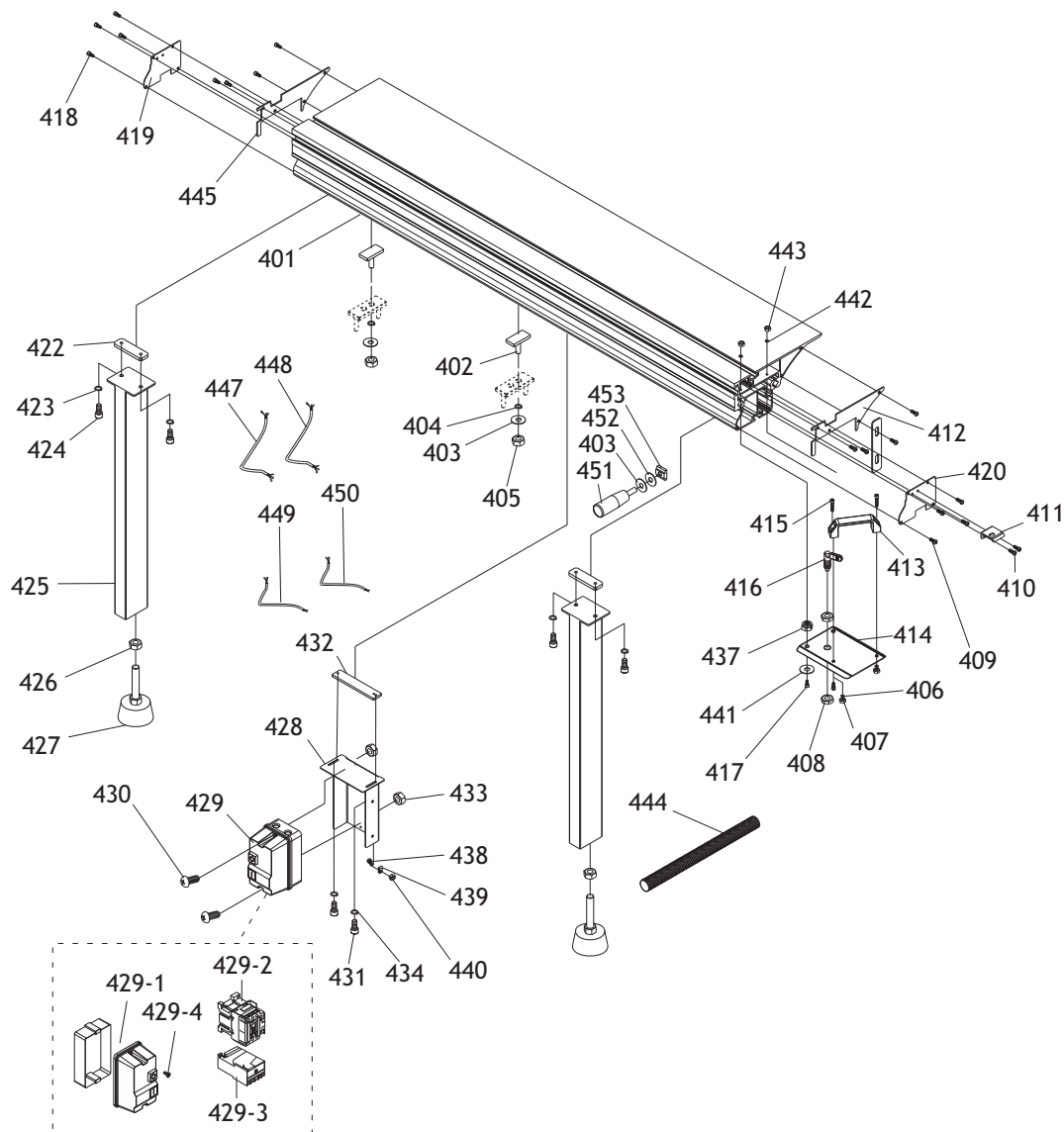


Main Motor

REF	PART #	DESCRIPTION
301	X18110301	BLADE GUARD
302	XPWF08M	FENDER WASHER 8MM
303	XPSBS07M	BUTTON HD CAP SCR M8-1.25 X 40
304	X18110304	RIVING KNIFE MOUNTING BLOCK
305	XPB34M	KEY 5 X 5 X 20
306	X18110306	LOCATING BLOCK
307	XPB09M	HEX NUT M12-1.75
308	X18110308	LINK PLATE
309	XP60042RS	BALL BEARING 6004-2RS
310	X18110310	WAVE WASHER 26 X 34MM
311	X18110311	COLLAR
312	X18110312	GIB PLATE
313	XPSBS08M	BUTTON HD CAP SCR M10-1.5 X 35
314	XPSS03M	SET SCREW M6-1 X 8
315	X18110315	ARBOR PULLEY TYPE M
316	XPW01M	FLAT WASHER 8MM
317	XPLW04M	LOCK WASHER 8MM
318	XPVM20	V-BELT M-20 3L200
319	XPSB14M	CAP SCREW M8-1.25 X 20
320	XPSS02M	SET SCREW M6-1 X 6
321	X18110321	MOTOR PULLEY TYPE M
322	X18110322	SHAFT
323	X18110323	MAIN MOTOR MOUNTING PLATE
324	XPW06M	FLAT WASHER 12MM
325	XPLW05M	LOCK WASHER 12MM
326	XPB25M	HEX BOLT M12-1.75 X 25
327	XPB61M	KEY 7 X 7 X 30
328	X18110328	MOTOR 5HP 220V 1-PH
328-1	X18110328-1	MOTOR FAN COVER
328-2	X18110328-2	MOTOR FAN
328-3	X18110328-3	JUNCTION BOX
328-4	X18110328-4	CAPACITOR COVER
328-5	X18110328-5	S CAPACITOR 400M 250V 1-3/4 X 3-1/2
328-6	X18110328-6	CAPACITOR COVER
328-7	X18110328-7	R CAPACITOR 30M 500V 1-1/2 X 3-3/8
329	XPSB14M	CAP SCREW M8-1.25 X 20
330	XPLW04M	LOCK WASHER 8MM

REF	PART #	DESCRIPTION
331	XPSB14M	CAP SCREW M8-1.25 X 20
332	XPLW04M	LOCK WASHER 8MM
333	XPWF08M	FENDER WASHER 8MM
334	X18110334	ROTATE PLATE
335	XPSB77M	CAP SCREW M12-1.75 X 30
336	X18110336	SHAFT
337	X18110337	BUSHING
338	XPSBS22M	BUTTON HD CAP SCR M8-1.25 X 20
339	X18110339	BUSHING
340	XPWF08M	FENDER WASHER 8MM
341	XPLW04M	LOCK WASHER 8MM
342	XPSBS03M	BUTTON HD CAP SCR M8-1.25 X 16
343	X18110343	MAIN ARBOR CSA
344	X18110344	ARBOR FLANGE CSA
345	X18110345	LOCATING PIN
346	XPB73M	HEX BOLT M10-1.5 X 50
347	X18110347	RIVING KNIFE WASHER 10MM
348	X18110348	RIVING KNIFE
349	X18110349	SPECIAL ARBOR WASHER
350	X18110350	HOSE 3" X 60CM
351	X18110351	HOSE CLAMP 3-1/4"
352	XPSB119M	CAP SCREW M12-1.75 X 55
353	X18110353	IDLER PULLEY
355	XPB09M	HEX NUT M12-1.75
356	XPB09M	HEX NUT M12-1.75
357	X18110357	ROTATE PLATE
358	XPR20M	INT RETAINING RING 28MM
359	X18110359	BUSHING
360	X18110360	BELT 15 X 1140
361	X18110361	PLATE
362	X18110362	BUSHING
363	X18110363	ARBOR NUT 5/8"
364	X18110364	BUSHING
365	XPLW05M	LOCK WASHER 12MM
366	XP6001	BALL BEARING 6001ZZ
367	X18110367	EXTENSION SPRING

Sliding Table

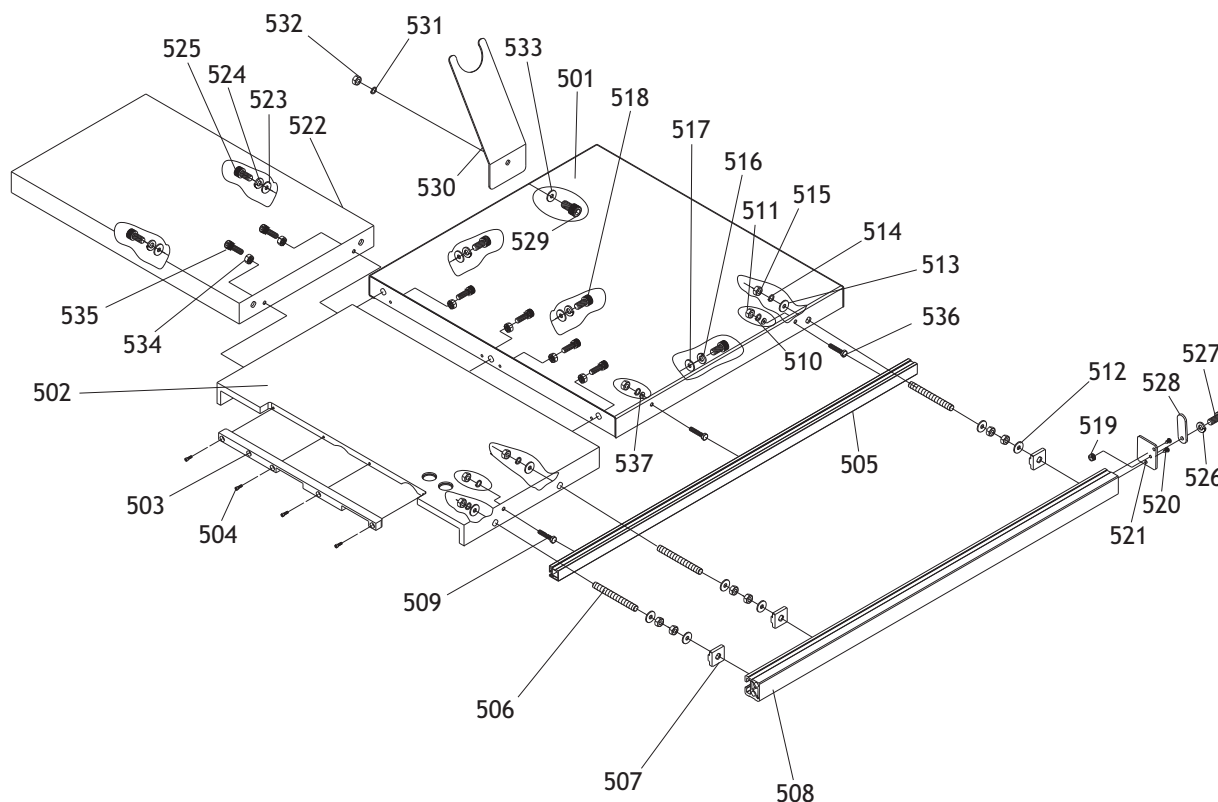


Sliding Table Parts List

REF	PART #	DESCRIPTION
401	X18110401	SLIDING TABLE SET 688x316
402	X18110402	S. TABLE T-STUD M12-1.75 X 35
403	XPW06M	FLAT WASHER 12MM
404	XPLW05M	LOCK WASHER 12MM
405	XPN09M	HEX NUT M12-1.75
406	XPLW03M	LOCK WASHER 6MM
407	XPN01M	HEX NUT M6-1
408	XPN13M	HEX NUT M16-2
409	XPSBS11M	BUTTON HD CAP SCR M6-1 X 10
410	XPSBS11M	BUTTON HD CAP SCR M6-1 X 10
411	X18110411	LOCK RECEIVER PLATE
412	X18110412	S. TABLE END PLATE UPPER
413	X18110413	HANDLE
414	X18110414	S. TABLE HANDLE PLATE
415	XPSB01M	CAP SCREW M6-1 X 16
416	X18110416	PIN LOCK
417	XPSB115M	BUTTON HD CAP SCR M6-1 X 16
418	XPSBS11M	BUTTON HD CAP SCR M6-1 X 10
419	X18110419	S. TABLE END PLATE LL
420	X18110420	S. TABLE END PLATE LR
422	X18110422	SUPPORT LEG T-SLOT PLATE
423	XPLW04M	LOCK WASHER 8MM
424	XPSB14M	CAP SCREW M8-1.25 X 20
425	X18110425	S. TABLE SUPPORT LEG
426	XPN09M	HEX NUT M12-1.75
427	X18110427	FOOT
428	X18110428	SWITCH MOUNTING BRACKET

REF	PART #	DESCRIPTION
429	X18110429	SWITCH MP-18 5HP 220V 1PH
429-1	X18110429-1	SWITCH BOX
429-2	X18110429-2	CONTACTOR SDE MA-18 220V
429-3	X18110429-3	RELAY SDE RA-30 22-34 25A
429-4	XPSW01-1	SWITCH COVER SCREW WHITE
430	XPS56M	PHLP HD SCR M4-.7 X 16
431	XPSB33M	CAP SCREW M5-.8 X 12
432	X18110432	SWITCH T-SLOT PLATE
433	XPN06M	HEX NUT M5-.8
434	XPW02M	FLAT WASHER 5MM
437	XPFN02M	FLANGE NUT M6-1
438	XPSB33M	CAP SCREW M5-.8 X 12
439	XPW02M	FLAT WASHER 5MM
440	XPN06M	HEX NUT M5-.8
441	XPW03M	FLAT WASHER 6MM
442	XPLW03M	LOCK WASHER 6MM
443	XPN01M	HEX NUT M6-1
444	X18110444	FLEXIBLE CONDUIT
445	X18110412	S. TABLE END PLATE UPPER
447	X18110447	MOTOR CORD 3C 12AWG
448	X18110448	PWR BOX CORD 3C 12AWG
449	X18110449	LIMIT SWITCH CORD 2C 18AWG
450	X18110450	E-STOP CORD 2C 18AWG
451	X18110451	PUSH HANDLE M12-1.75 X 14
452	X18110452	PLASTIC WASHER 12MM
453	X18110453	PUSH HANDLE T-NUT M12-1.75

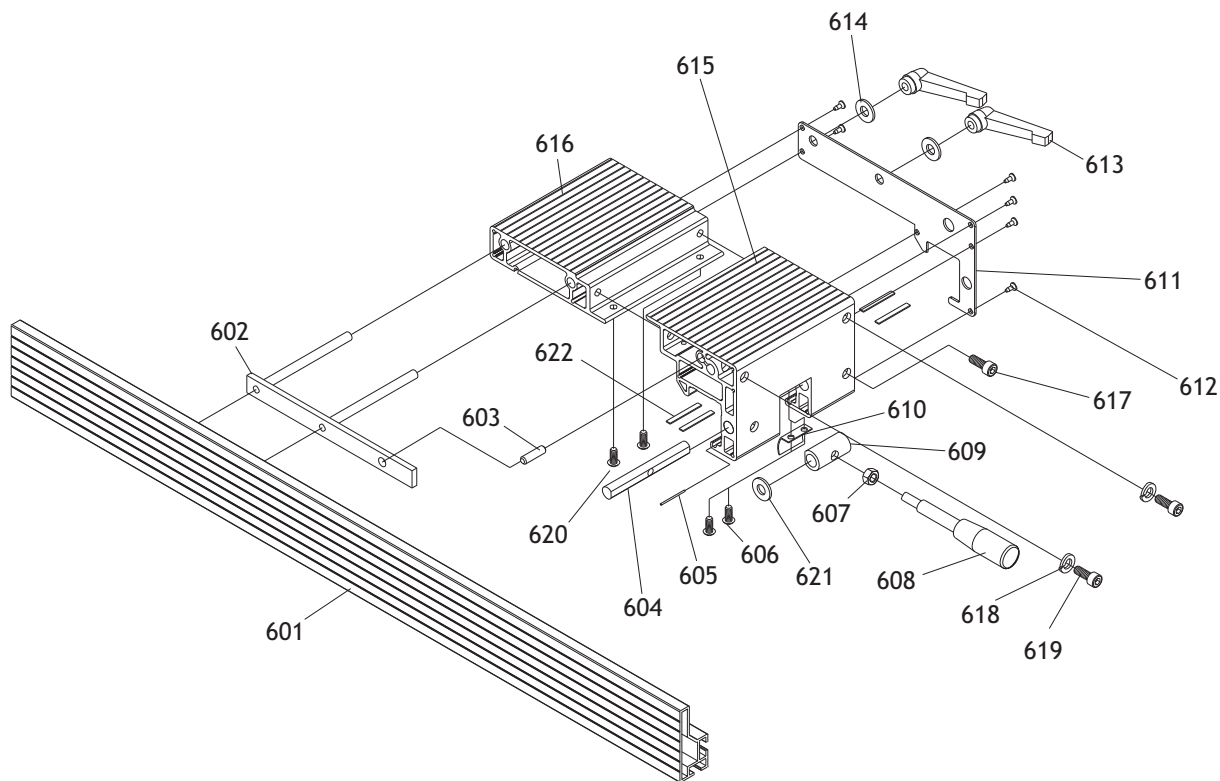
Tables



REF	PART #	DESCRIPTION
501	X18110501	LARGE EXTENSION TABLE
502	X18110502	CAST IRON TABLE
503	X18110503	TABLE INSERT
504	XPSB15M	CAP SCREW M5-.8 X 20
505	X18110505	RIP FENCE SCALE
506	X18110506	STUD M12-1.75 X 90
507	X18110507	T-NUT M12-1.75
508	X18110508	RIP FENCE RAIL
509	XPB10M	HEX BOLT M6-1 X 25
510	XPLW03M	LOCK WASHER 6MM
511	XPNO1M	HEX NUT M6-1
512	XPW06M	FLAT WASHER 12MM
513	XPW06M	FLAT WASHER 12MM
514	XPLW05M	LOCK WASHER 12MM
515	XPNO9M	HEX NUT M12-1.75
516	XPLW06M	LOCK WASHER 10MM
517	XPW04M	FLAT WASHER 10MM
518	XPSB64M	CAP SCREW M10-1.5 X 25
519	XPLN02M	LOCK NUT M5-.8

REF	PART #	DESCRIPTION
520	XPHTEK15M	TAP SCREW M4 X 10
521	X18110521	RAIL END PLATE
522	X18110522	SMALL EXTENSION TABLE
523	XPW04M	FLAT WASHER 10MM
524	XPLW06M	LOCK WASHER 10MM
525	XPSB64M	CAP SCREW M10-1.5 X 25
526	XPLW01M	LOCK WASHER 5MM
527	XPSB506M	BUTTON HD CAP SCR M5-.8 X 12
528	X18110528	STOP TAB
529	XPSB64M	CAP SCREW M10-1.5 X 25
530	X18110530	HOSE SUPPORT
531	XPLW06M	LOCK WASHER 10MM
532	XPLN05M	LOCK NUT M10-1.5
533	XPW04M	FLAT WASHER 10MM
534	XPNO3M	HEX NUT M8-1.25
535	XPSB31M	CAP SCREW M8-1.25 X 25
536	XPB83M	HEX BOLT M6-1 X 16
537	XPW03M	FLAT WASHER 6MM

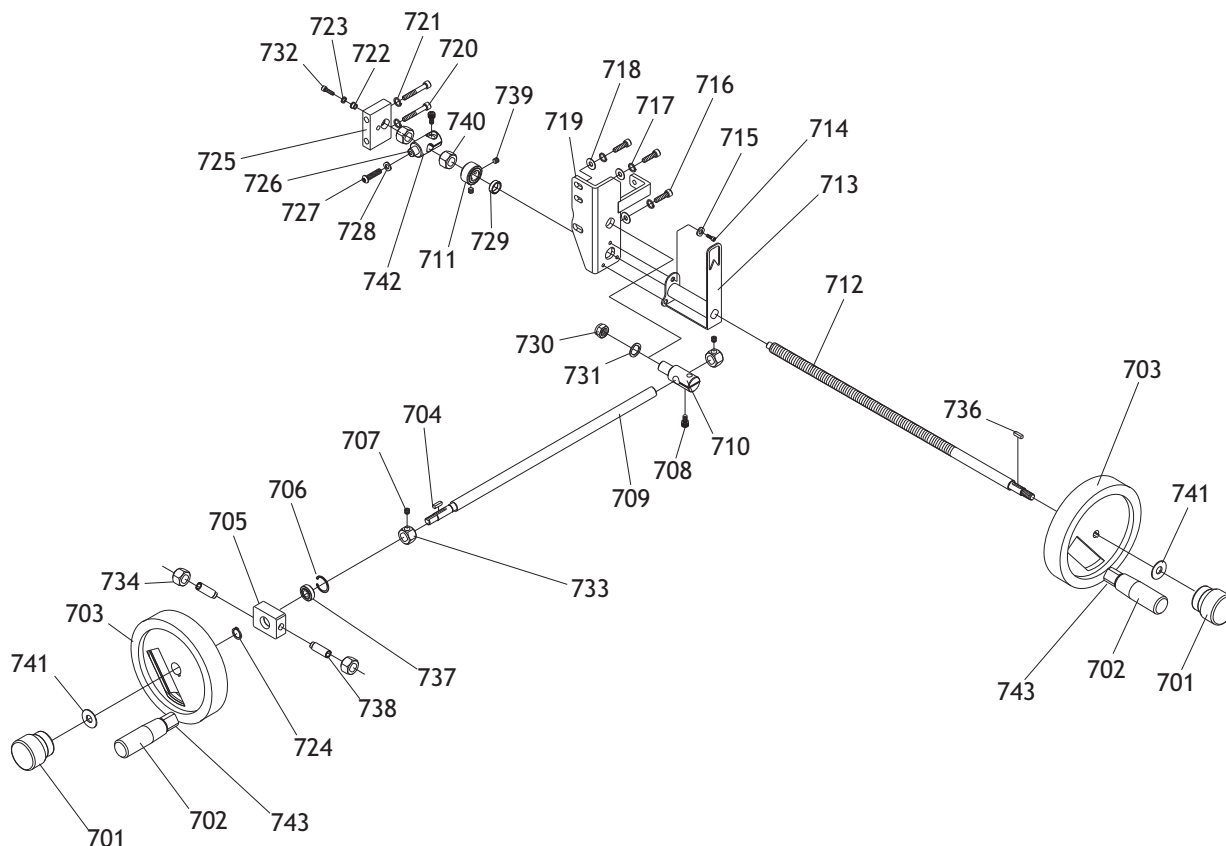
Rip Fence



REF	PART #	DESCRIPTION
601	X18110601	RIP FENCE
602	X18110602	CLAMP PLATE
603	X18110603	STEEL PIN 6MM
604	X18110604	ROD
605	X18110605	HDPE STRIP
606	XPFS07M	FLANGE SCREW M5-.8 X 10
607	XPN03M	HEX NUT M8-1.25
608	X18110608	FENCE LOCK HANDLE
609	X18110609	SLEEVE
610	X18110610	SPRING PRESSURE PLATE
611	X18110611	COVER PLATE

REF	PART #	DESCRIPTION
612	XPHTK4M	TAP SCREW M4 X 8
613	X18110613	LOCK PLATE HANDLE M8-1.25
614	XPW01M	FLAT WASHER 8MM
615	X18110615	RIP FENCE FRONT BASE
616	X18110616	RIP FENCE REAR BASE
617	X18110617	PLASTIC SCREW M5-.8 X 16
618	XPLW04M	LOCK WASHER 8MM
619	XPSB14M	CAP SCREW M8-1.25 X 20
620	XPFH02M	FLAT HD SCR M6-1 X 12
621	X18110621	WAVY WASHER 12MM
622	X18110622	HDPE STRIP 50 X 5MM

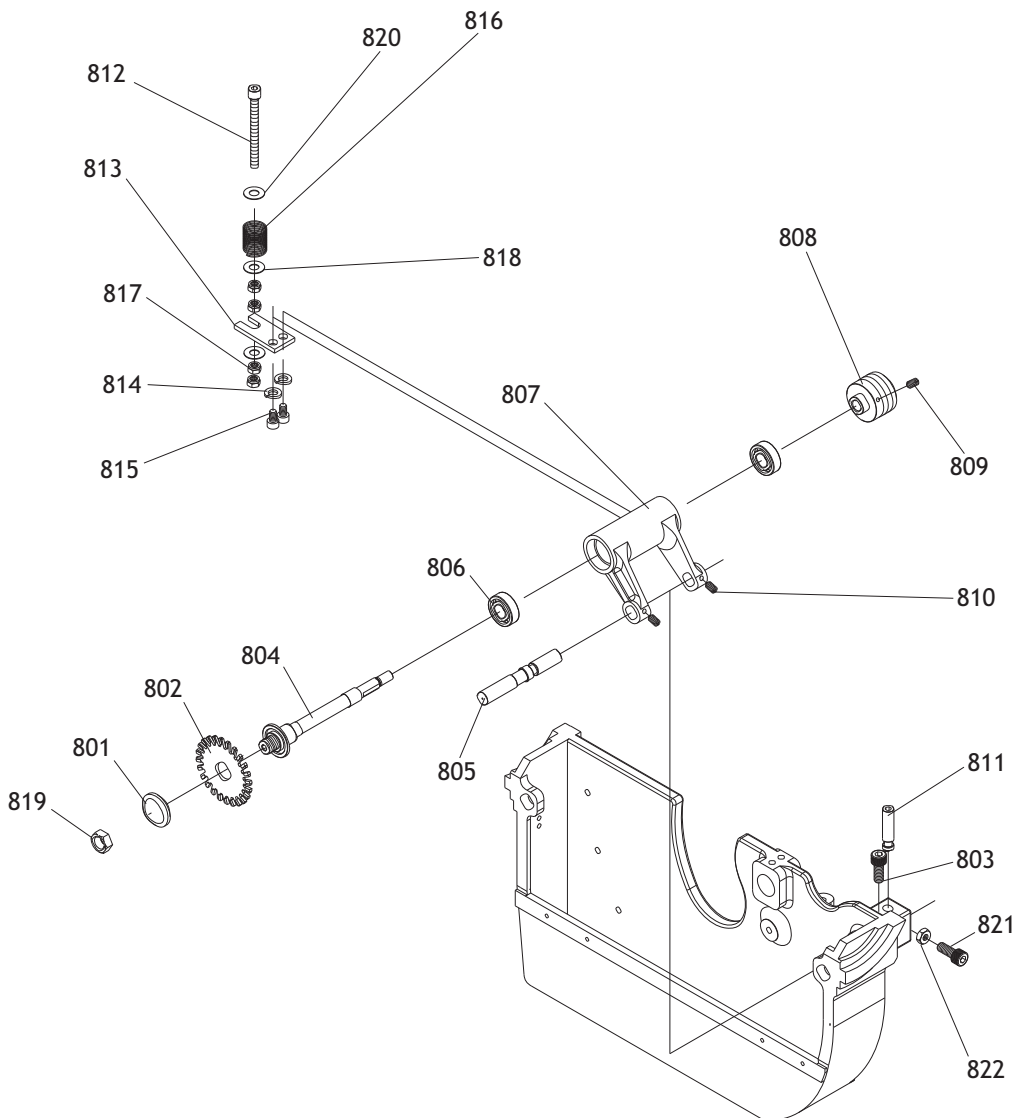
Handwheels



REF	PART #	DESCRIPTION
701	X18110701	LOCK KNOB M10-1.5
702	X18110702	HANDWHEEL HANDLE
703	X18110703	HANDWHEEL
704	XPK34M	KEY 5 X 5 X 20
705	X18110705	ANGLE SEAT
706	XPR20M	INT RETAINING RING 28MM
707	XPSS02M	SET SCREW M6-1 X 6
708	XPSB61M	CAP SCREW M10-1.5 X 20
709	X18110709	LEADSCREW M16 X 2P X 2T
710	X18110710	NUT
711	X18110711	LOCATE RING
712	X18110712	LEADSCREW M16 X 2P X 2T
713	X18110713	FINGER GUIDE
714	XPSB04M	CAP SCREW M6-1 X 10
715	XPLW03M	LOCK WASHER 6MM
716	XPSB14M	CAP SCREW M8-1.25 X 20
717	XPLW04M	LOCK WASHER 8MM
718	XPW01M	FLAT WASHER 8MM
719	X18110719	STRUT BOARD
720	XPSB05M	CAP SCREW M8-1.25 X 50
721	XPLW04M	LOCK WASHER 8MM

REF	PART #	DESCRIPTION
722	X18110722	BEARING SELF LUBRICATING
723	XPW03M	FLAT WASHER 6MM
724	XPR03M	EXT RETAINING RING 12MM
725	X18110725	LOCATE BLOCK
726	X18110726	LOCATE SHAFT
727	XPSB04M	CAP SCREW M6-1 X 10
728	XPW03M	FLAT WASHER 6MM
729	X18110729	SLEEVE
730	XPLN07M	LOCK NUT M16-2
731	X18110731	COPPER WASHER 16MM
732	XPSB26M	CAP SCREW M6-1 X 12
733	X18110733	LOCKING SHAFT NUT M16-2
734	XPN09M	HEX NUT M12-1.75
736	XPK34M	KEY 5 X 5 X 20
737	X18110737	BEARING
738	XPSS105M	SET SCREW M12-1.75 X 35
739	XPSS02M	SET SCREW M6-1 X 6
740	XPN13M	HEX NUT M16-2
741	X18110741	DISC WASHER 10 X 20
742	X18110742	BUSHING
743	X18110743	HANDLE EXTENSION

Scoring Trunnion

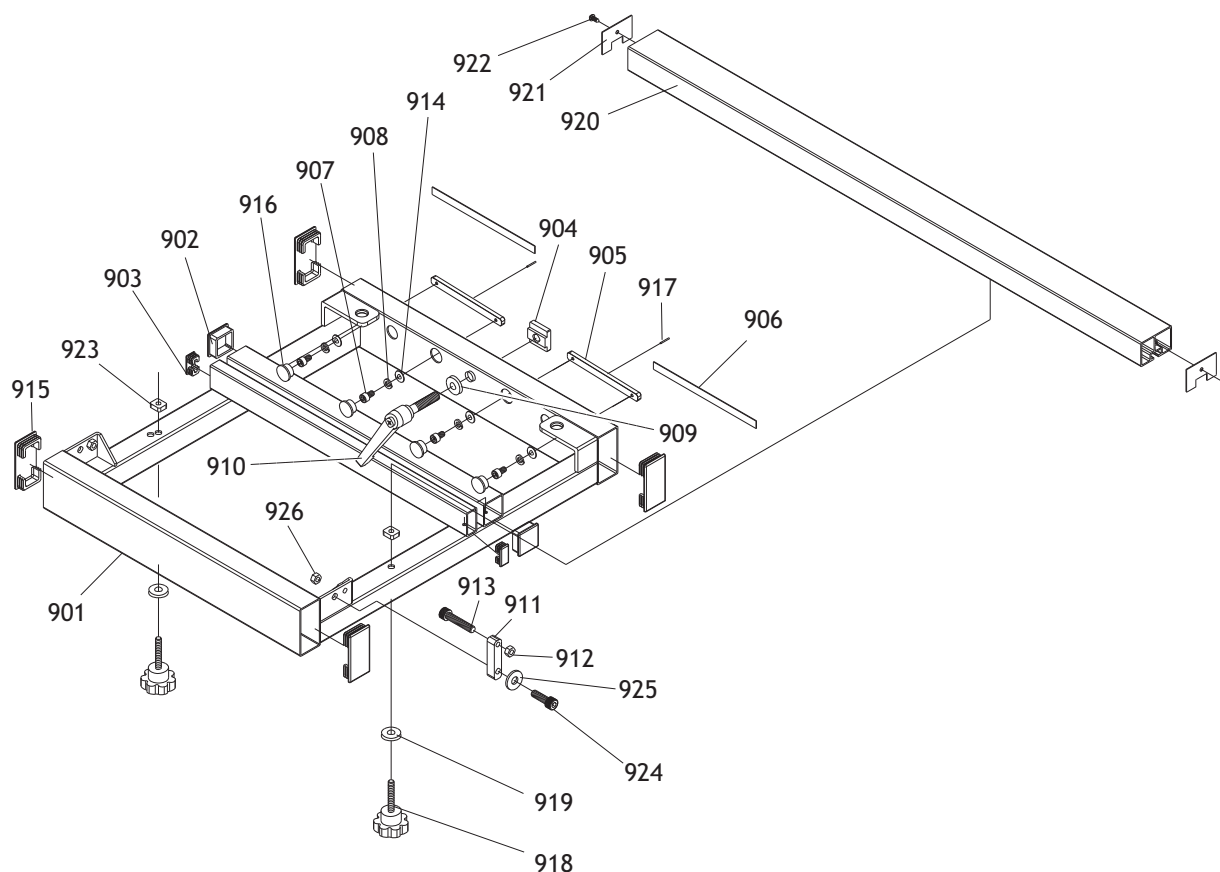


REF	PART #	DESCRIPTION
801	X18110801	ARBOR FLANGE
802	X18110802	SCORING SAW BLADE CSA 22MM
803	XPSB14M	CAP SCREW M8-1.25 X 20
804	X18110804	SHAFT CSA 22MM
805	X18110805	SHAFT
806	X18110806	SCORING ARBOR BEARING
807	X18110807	REGULATOR
808	X18110808	SCORING PULLEY 60HZ
809	XPSS02M	SET SCREW M6-1 X 6
810	XPSS02M	SET SCREW M6-1 X 6
811	X18110811	ADJUST SHAFT

REF	PART #	DESCRIPTION
812	X18110812	ADJUST SCREW M8-1.25 X 100
813	X18110813	PLATE
814	XPLW04M	LOCK WASHER 8MM
815	XPSB31M	CAP SCREW M8-1.25 X 25
816	X18110816	COMPRESSION SPRING
817	XPLN04M	LOCK NUT M8-1.25
818	XPW01M	FLAT WASHER 8MM
819	X18110819	SCORING ARBOR NUT
820	XPW01M	FLAT WASHER 8MM
821	XPSB02M	CAP SCREW M6-1 X 20
822	XPNO1M	HEX NUT M6-1

PARTS

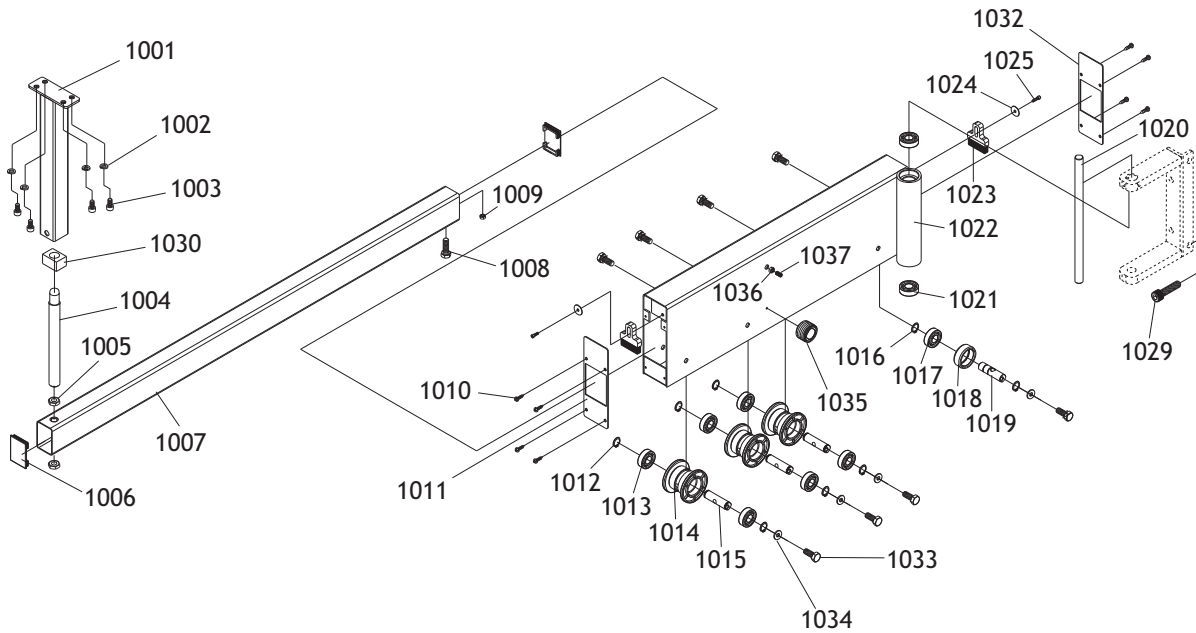
Crosscut Table



REF	PART #	DESCRIPTION
901	X18110901	CROSSCUT TABLE
902	X18110902	PLUG 38 X 38
903	X18110903	PLUG 40 X 20
904	X18110904	T-NUT M12-1.75
905	X18110905	T-SLOT BAR
906	X18110906	PAD
907	XPSB115M	BUTTON HD CAP SCR M6-1 X 16
908	XPLW03M	LOCK WASHER 6MM
909	XPWF12M	FENDER WASHER 12MM
910	X18110910	LOCK LEVER M12-1.75 X 55
911	X18110911	FENCE STOP BLOCK
912	XPNO3M	HEX NUT M8-1.25
913	XPB15M	HEX BOLT M8-1.25 X 40

REF	PART #	DESCRIPTION
914	XPW03M	FLAT WASHER 6MM
915	X18110915	PLUG 80 X 40
916	X18110916	PLUG
917	X18110917	PIN 3 X 14
918	X18110918	CC BRACE KNOB M8-1.25 X 50
919	XPWF08M	FENDER WASHER 8MM
920	X18110920	SUPPORT BAR
921	X18110921	COVER
922	X18110922	TAP SCREW #8 X 3/8"
923	X18110923	T-NUT M8-1.25
924	XPSB13M	CAP SCREW M8-1.25 X 30
925	XPWF08M	FENDER WASHER 8MM
926	XPLN04M	LOCK NUT M8-1.25

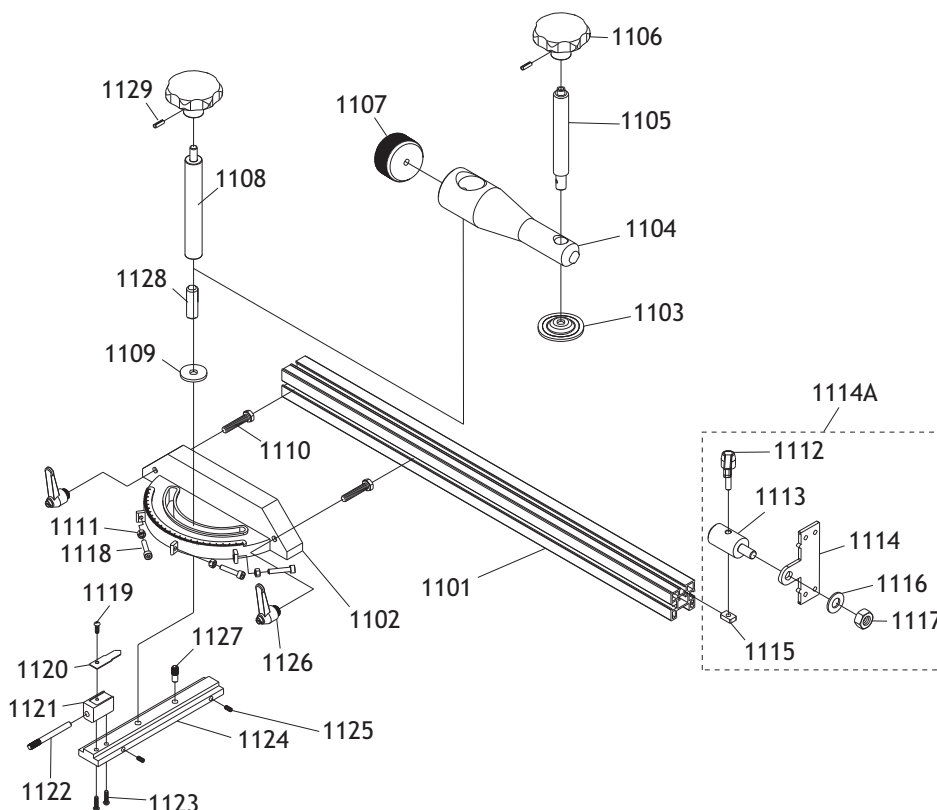
Swing Arm



REF	PART #	DESCRIPTION
1001	X18111001	CROSSCUT TABLE SUPPORT LEG
1002	XPLW03M	LOCK WASHER 6MM
1003	XPSB01M	CAP SCREW M6-1 X 16
1004	X18111004	ROTARY SHAFT
1005	XPN28M	HEX NUT M20-2.5
1006	X18111006	PLUG 40 X 80
1007	X18111007	SLIDING TUBE
1008	XPB26M	HEX BOLT M8-1.25 X 30
1009	XPN03M	HEX NUT M8-1.25
1010	XPHTEK15M	TAP SCREW M4 X 10
1011	X18111011	COVER
1012	XPR05M	EXT RETAINING RING 15MM
1013	XP6202	BALL BEARING 6202ZZ
1014	X18111014	ROLLER
1015	X18111015	ADJUST SHAFT
1016	XPR05M	EXT RETAINING RING 15MM
1017	XP6202	BALL BEARING 6202ZZ

REF	PART #	DESCRIPTION
1018	X18111018	RING
1019	X18111019	ADJUST SHAFT
1020	X18111020	HINGE SHAFT
1021	XP6202	BALL BEARING 6202ZZ
1022	X18111022	SWING ARM
1023	X18111023	BRUSH
1024	XPW03M	FLAT WASHER 6MM
1025	XPSB02M	CAP SCREW M6-1 X 20
1029	XPB14M	HEX BOLT M10-1.5 X 35
1030	X18111030	PLUG
1032	X18111032	COVER
1033	XPB09M	HEX BOLT M8-1.25 X 20
1034	XPW01M	FLAT WASHER 8MM
1035	X18111035	MAGNET BASE ASSEMBLY
1036	XPN03M	HEX NUT M8-1.25
1037	XPSS21M	SET SCREW M8-1.25 X 25

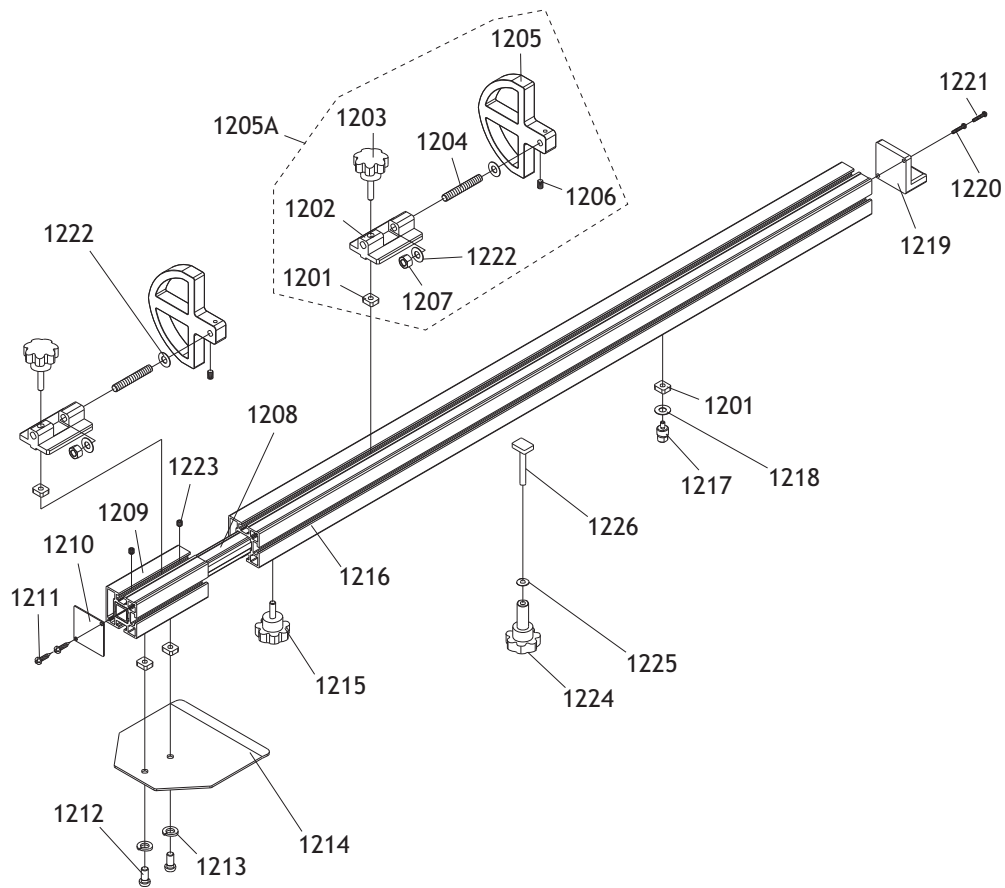
Miter Gauge



REF	PART #	DESCRIPTION
1101	X18111101	MITER GAUGE FENCE
1102	X18111102	MITER GAUGE BODY
1103	X18111103	LARGE WASHER
1104	X18111104	SLIDING MITER CLAMP SHAFT
1105	X18111105	CLAMP SHAFT
1106	X18111106	KNOB PINNED
1107	X18111107	KNURLED KNOB
1108	X18111108	MITER HANDLE SHAFT
1109	XPWF08M	FENDER WASHER 8MM
1110	XPB29M	HEX BOLT M6-1 X 30
1111	XPN06M	HEX NUT M5-.8
1112	X18111112	ADJUST HANDLE M6 X 30
1113	X18111113	LOCK SHAFT
1114	X18111114	MITER FLIP STOP
1114A	X18111114A	MITER FLIP STOP ASSEMBLY

REF	PART #	DESCRIPTION
1115	XPSN02M	SQUARE NUT M6-1
1116	XPW04M	FLAT WASHER 10MM
1117	XPLN05M	LOCK NUT M10-1.5
1118	XPSB38M	CAP SCREW M5-.8 X 25
1119	XPS02M	PHLP HD SCR M4-.7 X 12
1120	X18111120	POINTER
1121	X18111121	FIXED BLOCK
1122	X18111122	STOP BAR
1123	XPS56M	PHLP HD SCR M4-.7 X 16
1124	X18111124	MITER GUIDE BAR
1125	XPSS23M	SET SCREW M4-.7 X 10
1126	X18111126	ADJUST HANDLE
1127	X18111127	SHAFT
1128	XPSS101M	SET SCREW M8-1.25 X 45
1129	XPRP42M	ROLL PIN 3 X 20

Crosscut Fence



REF	PART #	DESCRIPTION
1201	X18111201	T-NUT M8-1.25
1202	X18111202	STOP BRACKET
1203	X18111203	KNOB M8-1.25 X 40
1204	X18111204	SPECIAL SCREW
1205	X18111205	FLIP STOP
1205A	X18111205A	FLIP STOP ASSEMBLY
1206	XPSS01M	SET SCREW M6-1 X 10
1207	XPLN05M	LOCK NUT M10-1.5
1208	X18111208	SQUARE TUBE
1209	X18111209	EXT FENCE
1210	X18111210	COVER
1211	XPHTEK15M	TAP SCREW M4 X 10
1212	XPSBS03M	BUTTON HD CAP SCR M8-1.25 X 16
1213	XPLW04M	LOCK WASHER 8MM

REF	PART #	DESCRIPTION
1214	X18111214	LOCATE PLATE
1215	X18111215	CC FENCE LOCK KNOB M8-1.25 X 25
1216	X18111216	SQUARE FENCE
1217	X18111217	PIVOT STUD
1218	X18111218	FIBER WASHER 10MM
1219	X18111219	ROTATE BLOCK
1220	XPS38M	PHLP HD SCR M4-.7 X 10
1221	XPS25M	PHLP HD SCR M4-.7 X 35
1222	X18111222	FIBER WASHER 10MM
1223	XPSS02M	SET SCREW M6-1 X 6
1224	X18111224	CROSSCUT FENCE KNOB M8-1.25 X 55
1225	XPWF08M	FENDER WASHER 8MM
1226	X18111226	T-BOLT M8-1.25 X 60



Warranty Registration

Name _____
 Street _____
 City _____ State _____ Zip _____
 Phone # _____ Email _____ Invoice # _____
 Model # _____ Serial # _____ Dealer Name _____ Purchase Date _____

The following information is given on a voluntary basis. It will be used for marketing purposes to help us develop better products and services. **Of course, all information is strictly confidential.**

1. How did you learn about us?

<input type="checkbox"/> Advertisement	<input type="checkbox"/> Friend	<input type="checkbox"/> Local Store
<input type="checkbox"/> Mail Order Catalog	<input type="checkbox"/> Website	<input type="checkbox"/> Other:

2. How long have you been a woodworker/metalworker?

<input type="checkbox"/> 0-2 Years	<input type="checkbox"/> 2-8 Years	<input type="checkbox"/> 8-20 Years	<input type="checkbox"/> 20+ Years
------------------------------------	------------------------------------	-------------------------------------	------------------------------------

3. How many of your machines or tools are Shop Fox?

<input type="checkbox"/> 0-2	<input type="checkbox"/> 3-5	<input type="checkbox"/> 6-9	<input type="checkbox"/> 10+
------------------------------	------------------------------	------------------------------	------------------------------

4. Do you think your machine represents a good value? Yes No

5. Would you recommend Shop Fox products to a friend? Yes No

6. What is your age group?

<input type="checkbox"/> 20-29	<input type="checkbox"/> 30-39	<input type="checkbox"/> 40-49
<input type="checkbox"/> 50-59	<input type="checkbox"/> 60-69	<input type="checkbox"/> 70+

7. What is your annual household income?

<input type="checkbox"/> \$20,000-\$29,000	<input type="checkbox"/> \$30,000-\$39,000	<input type="checkbox"/> \$40,000-\$49,000
<input type="checkbox"/> \$50,000-\$59,000	<input type="checkbox"/> \$60,000-\$69,000	<input type="checkbox"/> \$70,000+

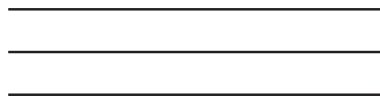
8. Which of the following magazines do you subscribe to?

<input type="checkbox"/> Cabinet Maker	<input type="checkbox"/> Popular Mechanics	<input type="checkbox"/> Today's Homeowner
<input type="checkbox"/> Family Handyman	<input type="checkbox"/> Popular Science	<input type="checkbox"/> Wood
<input type="checkbox"/> Hand Loader	<input type="checkbox"/> Popular Woodworking	<input type="checkbox"/> Wooden Boat
<input type="checkbox"/> Handy	<input type="checkbox"/> Practical Homeowner	<input type="checkbox"/> Woodshop News
<input type="checkbox"/> Home Shop Machinist	<input type="checkbox"/> Precision Shooter	<input type="checkbox"/> Woodsmith
<input type="checkbox"/> Journal of Light Cont.	<input type="checkbox"/> Projects in Metal	<input type="checkbox"/> Woodwork
<input type="checkbox"/> Live Steam	<input type="checkbox"/> RC Modeler	<input type="checkbox"/> Woodworker West
<input type="checkbox"/> Model Airplane News	<input type="checkbox"/> Rifle	<input type="checkbox"/> Woodworker's Journal
<input type="checkbox"/> Modeltec	<input type="checkbox"/> Shop Notes	<input type="checkbox"/> Other:
<input type="checkbox"/> Old House Journal	<input type="checkbox"/> Shotgun News	

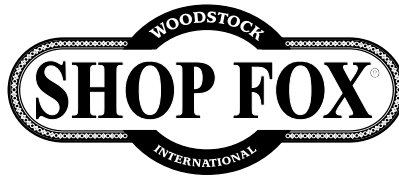
9. Comments: _____

CUT ALONG DOTTED LINE

FOLD ALONG DOTTED LINE



Place
Stamp
Here



WOODSTOCK INTERNATIONAL INC.
P.O. BOX 2309
BELLINGHAM, WA 98227-2309



FOLD ALONG DOTTED LINE

TAPE ALONG EDGES--PLEASE DO NOT STAPLE

WARRANTY

Woodstock International, Inc. warrants all Shop Fox machinery to be free of defects from workmanship and materials for a period of two years from the date of original purchase by the original owner. This warranty does not apply to defects due directly or indirectly to misuse, abuse, negligence or accidents, lack of maintenance, or reimbursement of third party expenses incurred.

Woodstock International, Inc. will repair or replace, at its expense and at its option, the Shop Fox machine or machine part, which in normal use has proven to be defective, provided that the original owner returns the product prepaid to a Shop Fox factory service center with proof of their purchase of the product within two years, and provides Woodstock International, Inc. reasonable opportunity to verify the alleged defect through inspection. If it is determined there is no defect, or that the defect resulted from causes not within the scope of Woodstock International Inc.'s warranty, then the original owner must bear the cost of storing and returning the product.

This is Woodstock International, Inc.'s sole written warranty and any and all warranties that may be implied by law, including any merchantability or fitness, for any particular purpose, are hereby limited to the duration of this written warranty. We do not warrant that Shop Fox machinery complies with the provisions of any law or acts. In no event shall Woodstock International, Inc.'s liability under this warranty exceed the purchase price paid for the product, and any legal actions brought against Woodstock International, Inc. shall be tried in the State of Washington, County of Whatcom. We shall in no event be liable for death, injuries to persons or property or for incidental, contingent, special or consequential damages arising from the use of our products.

Every effort has been made to ensure that all Shop Fox machinery meets high quality and durability standards. We reserve the right to change specifications at any time because of our commitment to continuously improve the quality of our products.



High Quality Machines and Tools

Woodstock carries thousands of products to meet the needs of today's woodworkers and metalworkers. Ask you dealer about other fine products from Woodstock International, Inc.

BROSIM
PRECISION STOP BLOCK

JOINTER PAL[®]

Rotacator[®]

THE REBEL[®]

STEELEX
FINE TOOLS

PRO-STIK[®]
ABRASIVE BELT & DISC CLEANER

SLICKPLANE[®]

Gutmann[®]

BOARD BUDDIES[®]

ACCU-SHARP[®]

STEELEX
PLUS

PARROT VISE[®]

Aluma-Classic[®]



Junglee[®]

DURASTICK[®]

PLANER PAL[®]

WHOLESALE ONLY

WOODSTOCK INTERNATIONAL, INC.

Phone: (360) 734-3482 • Fax: (360) 671-3053 • Toll Free Fax: (800) 647-8801

P.O.Box 2309 • Bellingham, WA 98227

SHOPFOX.BIZ

Free Manuals Download Website

<http://myh66.com>

<http://usermanuals.us>

<http://www.somanuals.com>

<http://www.4manuals.cc>

<http://www.manual-lib.com>

<http://www.404manual.com>

<http://www.luxmanual.com>

<http://aubethermostatmanual.com>

Golf course search by state

<http://golfingnear.com>

Email search by domain

<http://emailbydomain.com>

Auto manuals search

<http://auto.somanuals.com>

TV manuals search

<http://tv.somanuals.com>