



MODEL W1779 18 GAUGE STAPLER KIT



OWNER'S MANUAL

Phone: (360) 734-3482 • Online Technical Support: tech-support@shopfox.biz

COPYRIGHT © JUNE, 2007 BY WOODSTOCK INTERNATIONAL, INC., REVISED DECEMBER, 2007 (JM)
WARNING: NO PORTION OF THIS MANUAL MAY BE REPRODUCED IN ANY SHAPE OR FORM WITHOUT
THE WRITTEN APPROVAL OF WOODSTOCK INTERNATIONAL, INC.

#9570BL Printed in China



WARNING!

This manual provides critical safety instructions on the proper setup, operation, maintenance and service of this machine/equipment.

Failure to read, understand and follow the instructions given in this manual may result in serious personal injury, including amputation, electrocution or death.

The owner of this machine/equipment is solely responsible for its safe use. This responsibility includes but is not limited to proper installation in a safe environment, personnel training and usage authorization, proper inspection and maintenance, manual availability and comprehension, application of safety devices, blade/cutter integrity, and the usage of personal protective equipment.

The manufacturer will not be held liable for injury or property damage from negligence, improper training, machine modifications or misuse.



WARNING!

Some dust created by power sanding, sawing, grinding, drilling, and other construction activities contains chemicals known to the State of California to cause cancer, birth defects or other reproductive harm. Some examples of these chemicals are:

- Lead from lead-based paints.
- Crystalline silica from bricks, cement and other masonry products.
- Arsenic and chromium from chemically-treated lumber.

Your risk from these exposures varies, depending on how often you do this type of work. To reduce your exposure to these chemicals: Work in a well ventilated area, and work with approved safety equipment, such as those dust masks that are specially designed to filter out microscopic particles.

SAFETY

WARNING

For Your Own Safety Read Instruction Manual Before Operating This Equipment

The purpose of safety symbols is to attract your attention to possible hazardous conditions. This manual uses a series of symbols and signal words which are intended to convey the level of importance of the safety messages. The progression of symbols is described below. Remember that safety messages by themselves do not eliminate danger and are not a substitute for proper accident prevention measures.

DANGER

Indicates an imminently hazardous situation which, if not avoided, **WILL** result in death or serious injury.

WARNING

Indicates a potentially hazardous situation which, if not avoided, **COULD** result in death or serious injury.

CAUTION

Indicates a potentially hazardous situation which, if not avoided, **MAY** result in minor or moderate injury. It may also be used to alert against unsafe practices.

NOTICE

This symbol is used to alert the user to useful information about proper operation of the equipment.

WARNING

Safety Instructions for Pneumatic Tools

1. **KEEP ALL SAFETY DEVICES IN PLACE** and in working order.
2. **REMOVE ADJUSTING KEYS AND WRENCHES.** Form habit of checking to see that keys and adjusting wrenches are removed from tool before operation.
3. **KEEP WORK AREA CLEAN.** Cluttered areas and benches invite accidents.
4. **DO NOT USE IN DANGEROUS ENVIRONMENT.** Do not use pneumatic tools in damp or wet locations, or where any flammable or noxious fumes may exist. Keep work area well lighted.
5. **KEEP CHILDREN AND VISITORS AWAY.** All children and visitors should be kept at a safe distance from work area.
6. **MAKE WORKSHOP CHILD PROOF** by locking your shop and shutting off air valves.
7. **DO NOT FORCE TOOL.** It will do the job better and safer at the rate for which it was designed.
8. **USE THE RIGHT TOOL.** Do not force tool or attachment to do a job for which it was not designed.
9. **DO NOT USE UNDER THE INFLUENCE OF DRUGS OR ALCOHOL.**

WARNING

Safety Instructions for Pneumatic Tools

10. **USE PROPER AIR HOSE** for the tool. Make sure your air hose is in good condition and is long enough to reach your work without stretching.
11. **WEAR PROPER APPAREL.** Do not wear loose clothing, gloves, neckties, rings, bracelets, or other jewelry which may get caught in moving parts. Non-slip footwear is recommended. Wear a protective hair covering to contain long hair.
12. **ALWAYS USE SAFETY GLASSES.** Also use a face or dust mask if cutting operation is dusty. Everyday eyeglasses only have impact resistant lenses, they are NOT safety glasses.
13. **WEAR APPROVED HEARING PROTECTION.** Air escaping from pneumatic tools can exceed safe exposure limits and may cause hearing damage with prolonged exposure.
14. **SECURE WORK.** Use clamps or a vise to hold work when practical. It is safer than using your hand and frees both hands to operate tool.
15. **MAINTAIN TOOLS WITH CARE.** Keep tools lubricated and clean for best and safest performance. Follow instructions for lubricating and changing accessories.
16. **REDUCE THE RISK OF UNINTENTIONAL FIRING.** Do not carry tool with hand on trigger and always disconnect from air when not in use.
17. **DISCONNECT TOOLS** before servicing, changing accessories, or moving to another location.
18. **DO NOT OVERREACH.** Keep proper footing/balance at all times.
19. **USE THE RECOMMENDED ACCESSORIES.** Consult owner's manual for recommended accessories. The use of improper accessories may cause risk of injury.
20. **CHECK FOR DAMAGED PARTS BEFORE USING.** Check for binding and alignment of parts, broken parts, part mounting, loose bolts, and any other conditions that may affect machine operation. Repair or replace damaged parts.
21. **NEVER LEAVE UNATTENDED TOOL CONNECTED TO AIR.** Disconnect the air hose and do not leave tool until it is relieved of any built up pressure.
22. **NEVER ALLOW UNTRAINED USERS TO USE THIS TOOL WHILE UNSUPERVISED.**
23. **IF YOU ARE UNSURE OF THE INTENDED OPERATION, STOP USING TOOL.** Seek formal training or research books or magazines that specialize in pneumatic tools.
24. **BE AWARE OF HOSE LOCATION WHEN USING PNEUMATIC TOOLS.** Hoses can easily become a tripping hazard when laid across the floor or spread out in a disorganized fashion.

WARNING

Additional Safety Instructions for Staplers

- 1. HAND INJURIES:** Do not place your hands near the staple point of entry. A staple can deflect and tear through the surface of the workpiece, puncturing your hand or fingers.
- 2. COMBUSTIBLE GASES:** Never connect the stapler to pressurized oxygen or other combustible gases as a power source. Only use filtered, lubricated, and regulated compressed air.
- 3. SAFE HANDLING:** Never point the stapler at others! Do not keep the trigger pulled when loading fasteners, carrying, or holding tool. Carry the stapler only by the handle, never by any other part. Do not carry the stapler by the air hose. Disconnect the stapler from the air hose when going up and down ladders.
- 4. CLEANING:** Never use gasoline or other flammable liquids to clean the stapler; vapors in the stapler will ignite by a spark and cause it to explode.
- 5. HOSE USAGE:** Make sure your air hose is designed for the tool in use, is in good condition, and is long enough to reach your work without stretching. However, an overly long air hose in the work area may be a tripping hazard.
- 6. OPERATING QUESTIONS:** If you are not sure about the intended operation, stop using the stapler. Seek formal training.
- 7. MAINTENANCE:** Always disconnect air from the stapler when servicing or installing staples. During maintenance, a stapler connected to air may fire accidentally, causing serious personal injury.
- 8. COMPRESSED AIR RATING:** Do not connect the stapler to compressed air that exceeds 120 PSI.
- 9. CHECK VALVE:** Do not use a check valve or any other fitting that allows air to remain in the tool.
- 10. MODIFICATION:** Do not modify this tool or bypass the safety nose mechanism.

WARNING

Never point this stapler at yourself or another person! Always pay attention to the direction this stapler is pointed. Use this tool with respect and caution to lessen the possibility of operator or bystander injury. Ignoring this warning may result in serious personal injury.

CAUTION

Stapler accidents routinely happen while moving the gun to another location, such as up ladders, to another room, or even another job site. Always disconnect the gun immediately after use and never transport the gun while connected to the air—even if the air compressor is disconnected from its power source!

INTRODUCTION

Woodstock Technical Support

This tool has been specially designed to provide many years of trouble-free service. Close attention to detail, ruggedly built parts and a rigid quality control program assure safe and reliable operation.

Woodstock International, Inc. is committed to customer satisfaction. Our intent with this manual is to include the basic information for safety, setup, operation, maintenance, and service of this product.

We stand behind our tools! In the event that questions arise about your tool, please contact Woodstock International Technical Support at (360) 734-3482 or send e-mail to: tech-support@shopfox.biz. Our knowledgeable staff will help you

If you need the latest edition of this manual, you can download it from <http://www.shopfox.biz>.

If you have comments about this manual, please contact us at:

Woodstock International, Inc.
Attn: Technical Documentation
Manager
P.O. Box 2309
Bellingham, WA 98227
Email: manuals@woodstockint.com

Tool Data

Staple Size	18 Gauge
Staple Length.....	1/2"-1"
Staple Crown	1/4"
Magazine Capacity.....	100 Staples
Air Inlet.....	1/4" NPT
Weight	2 lbs.
Operating Pressure	60-100 PSI

WARNING



Read the manual before operation. Become familiar with this stapler, its safety instructions, and its operation before beginning any work. Serious personal injury may result if safety or operational information is not understood or followed.

CAUTION

No list of safety guidelines can be complete. Every shop environment is different. Always consider safety first, as it applies to your individual working conditions. Use this and other tools with caution and respect. Failure to do so could result in serious personal injury, damage to equipment or poor work results.

Compressed Air System

The Model W1779 is designed to be operated at 60-100 PSI using clean, dry, regulated, compressed air. **Do not exceed the 120 PSI maximum operating pressure for your model.**

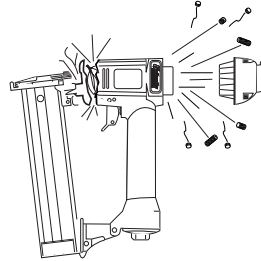
Before using your new stapler, regulate the air pressure to find the optimum setting within the specified operating range. Start by testing the stapler at a low setting, then increase the air pressure as needed for satisfactory results.

An in-line filter/lubricator/regulator unit, can be installed as depicted in **Figure 1**.

This filter/lubricator/regulator unit will protect your tool from damaging water build-up, allow you to adjust and maintain regulated air pressure to your tool, and save you the inconvenience of having to manually lubricate your tool every time you use it.

If you plan on installing a filter/lubricator/regulator unit in your compressed air system, always follow the connection instructions that come with the unit.

⚠ CAUTION



Exceeding the maximum permissible operating pressure may damage the stapler and cause it to malfunction. To protect yourself from personal injury, DO NOT allow the air pressure to exceed the recommended pressure for this stapler!

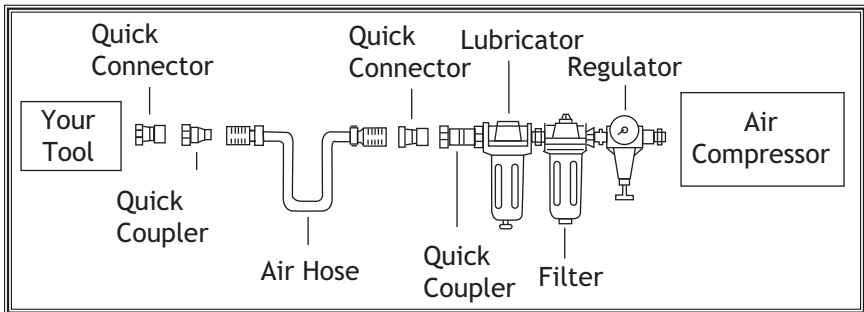


Figure 1. Typical filter/lubricator/regulator installation order.

SETUP

Unpacking

This tool has been carefully packaged for safe transportation. If you notice the tool has been damaged during shipping, please contact your authorized Shop Fox dealer immediately.

Inventory

The following is a description of the main components shipped with the Model W1779. Lay the components out to inventory them.

Note: *If you can't find an item on this list, check the mounting location on the tool or examine the packaging materials carefully. Occasionally we pre-install certain components for safer shipping.*

Box Inventory (Figure 2)	Qty		Qty
A. H7677 18 Gauge Stapler	1	D. Hex Wrench 3mm	1
B. Safety Goggles	1	E. Hex Wrench 4mm	1
C. Pneumatic Tool Oil	1	F. Carrying Case	1

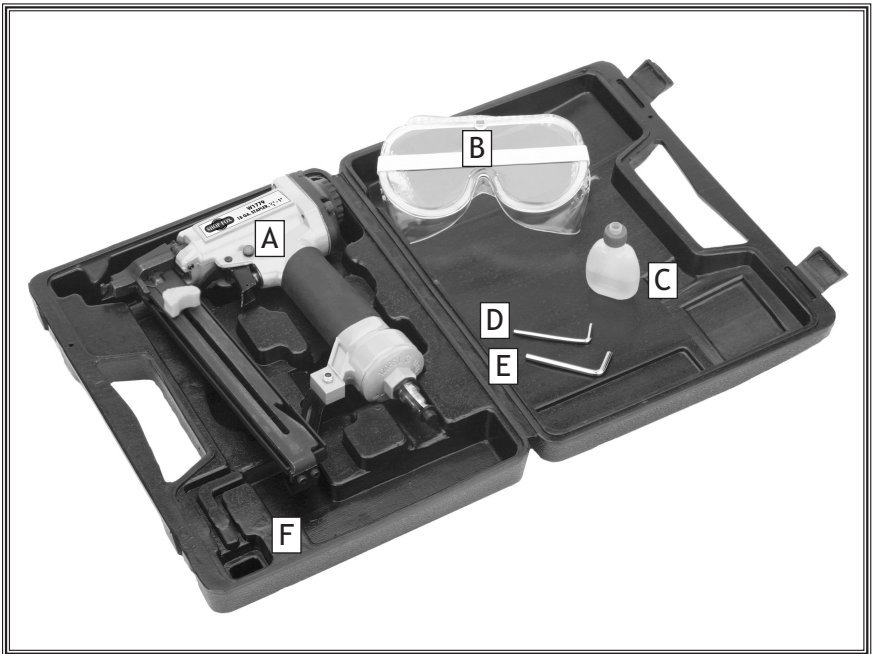


Figure 2. Model W1779 inventory.

Safety Nose Mechanism

A safety mechanism on the nose of the stapler protects against accidental firing. When the trigger is pressed, the stapler will not fire until the safety nose mechanism is depressed.

Before you use your stapler for the first time, check the safety nose mechanism to ensure proper function.

To check the safety nose mechanism, do these steps:

1. DISCONNECT STAPLER FROM THE AIR SUPPLY!
2. Make sure the magazine is empty and contains no staples.
3. Make sure the trigger and the safety nose mechanism move up and down without sticking.
4. Connect the stapler to the air supply.
5. **Without pressing the trigger**, depress the safety nose mechanism against a scrap piece of wood that is clean and free of any knots, staples, or other foreign objects.
 - If the stapler **does not fire**, then the safety nose mechanism is working correctly.
 - If the stapler **does fire** when you do this, immediately disconnect the stapler from the air supply and call Technical Support.

- If the stapler fires when the trigger is pulled, without the safety nose mechanism being depressed, then the stapler is not working properly.
- If you find that the safety nose mechanism is not working properly, check the lubrication of its sliding components.

WARNING

Do not attempt to modify or bypass the safety nose mechanism to make the stapler fire without pushing the nose down.

WARNING



Operating this stapler can propel objects into the air, causing immediate eye damage. To protect yourself, always wear ANSI approved safety glasses or goggles when operating this equipment.

WARNING

The safety mechanism is a mechanical device that can fail. Never rely on this mechanism as an excuse to point the stapler at yourself or any bystanders. Serious injury may occur.

OPERATIONS

Loading

When replacing staples in your Model W1779, follow these guidelines:

Gauge: 18
 Length: 1/2"-1"
 Capacity: 100
 Crown: 1/4"

To load your stapler, do these steps:

1. DISCONNECT STAPLER FROM THE AIR SUPPLY!
2. Grip the stapler firmly, and pull the magazine pusher back until it latches in the groove as shown in **Figure 3**.

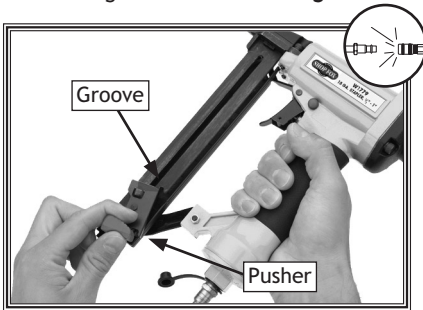


Figure 3. Sliding magazine pusher back and engaging catch lever.

3. Insert a stick of staples, pointed-end down, into the magazine as shown in **Figure 4**.



Figure 4. Loading staples into magazine. -8-

4. Slide the staples all the way down to the nose of the stapler.
5. Release the magazine pusher by pulling back and up. Gently slide the pusher forward; do not let the pusher snap against the staple stick.

Operating

If you have not read the safety instructions in this manual, do not operate the stapler.

Before you operate your stapler, place two to three drops of the included oil into the quick connect fitting where the stapler connects to the air supply. Fire the EMPTY stapler 3-4 times before beginning, so oil does not come out onto the project during regular operation.

To operate your stapler, do these steps:

1. Connect the air supply to the quick connect fitting.
2. To test for proper staple penetration, hold the stapler perpendicular to the surface of a piece of clean scrap wood that is thick enough for the length of staples you have loaded.
3. Depress the safety nose mechanism against your workpiece.
4. Before pulling the trigger, make sure your free hand and other body parts are positioned out of the way of the potential path of a staple in case of deflection.

CAUTION

DO NOT place your hands near the staple point of entry. A staple can deflect and tear through the surface of the workpiece, puncturing your hand or fingers.

Deflection is caused when grain irregularities, knots or foreign objects inside the wood cause the staple to change its path, resulting in the staple puncturing the surface of the workpiece, as shown in **Figure 5**.

Besides damaging your workpiece, deflection can cause injury if your free hand is securing the workpiece in the location that the staple deflects.

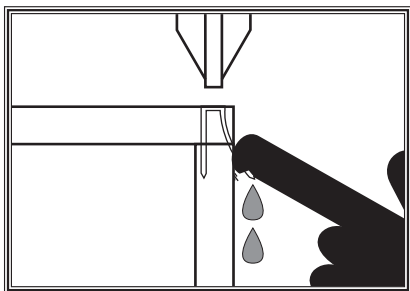


Figure 5. Example of staple deflection.

5. Pull the trigger.

- If the staple drove into the wood far enough, continue with your intended operations.
- If the staple either went too far or not far enough, then adjust the air pressure. More air pressure will increase staple depth, less air pressure will decrease staple depth.

Single/Bump Fire Operation

The stapler is designed to fire one staple at a time, or one after another, using the trigger switch—this is known as "bump fire."

To operate your stapler in single fire mode, do these steps:

1. Push the trigger switch **OUT**, as shown in **Figure 6**.



Figure 6. Trigger switch, single fire mode.

2. Depress the safety mechanism against the workpiece.
3. Pull the trigger, then remove your finger from the trigger after the staple is driven.

To operate your stapler in bump fire mode, do these steps:

1. Push the trigger switch IN (Figure 7).



Figure 7. Trigger switch, bump fire mode.

2. Pull and hold down the trigger.
3. Press the safety mechanism against your workpiece and raise it after the staple is driven.
4. Continue holding the trigger and repeat Step 3 to drive more staples.

Clearing Jammed Staples

A jammed staple must be cleared before using the stapler again.

To clear a jammed staple from the discharge area, do these steps:

1. DISCONNECT STAPLER FROM THE AIR SUPPLY!
2. Pull back and latch the magazine.
3. Remove the staple stick from the magazine.
4. Loosen the cap screws shown in Figure 8, and remove the nose cover.

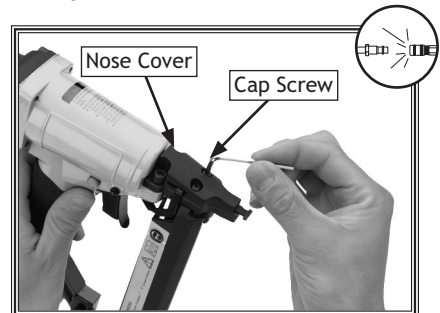


Figure 8. Loosening cap screws on cover.

5. Remove the jammed staple with needle nose pliers.
6. Secure the safety cover with the cap screws removed in Step 4.
7. Throw the damaged staple away.
8. Inspect the staple stick. If it is bent or damaged, insert a new staple stick that only contains clean, undamaged staples. DO NOT use dirty or damaged staples!
9. Latch the magazine closed.

Replacing Pistons and O-Rings

Under heavy use, a piston or piston shaft may wear out. Replacement is quick and easy. Contact your authorized Shop Fox dealer to obtain the Piston Repair Kit (part number X1779001).



To replace a piston and O-ring, do these steps:


1. DISCONNECT STAPLER FROM THE AIR SUPPLY!
2. Remove all staples from the magazine cartridge, and clean the exterior of the stapler.
3. Remove the four cap screws on the back of the stapler, near the exhaust port.
4. Remove the cap.
5. The top of the piston should now be visible inside the cylinder, which is housed in the head of the stapler.
6. Open the nose cover as if to clear a jammed staple.
7. Watch the discharge area and push the top of the piston with your finger. You will see the piston shaft slide down the discharge area.
8. Taking care not to scratch or dent the stapler parts, use a wooden dowel or similarly shaped tool to push the piston shaft back inside the stapler until you can grip the piston head and remove it from the cylinder. Clean and inspect the parts for cracks, wear, or burrs.
9. Place a new O-ring on the new piston and apply a thin film of the stapler lubricating oil on the O-ring.
10. Insert the new piston in the cylinder. Make sure that the grooves on the piston shaft line up with those on the guide at the bottom of the cylinder. The new piston should easily slide into the cylinder. **DO NOT force the piston into the cylinder!** If the piston is not easily inserted, double-check the alignment of the piston shaft with the grooves on the guide.
11. After the piston is inserted correctly, close the magazine. Replace the rear cap assembly and tighten the four cap screws.
12. For more assistance, or to install a complete O-ring set, refer to the appropriate breakdown diagram in the back of this manual for component locations.

CLEANING & LUBRICATION


Cleaning

Use a good solvent to clean the nose assembly of the stapler. Always be sure that the stapler is dry before using it again.

Do not allow dust, chips, sand, etc. into the air connectors or into the body of the stapler; this may result in leaks and damage to the stapler and the air couplings.



WARNING



Never use gasoline or other flammable liquids to clean this tool. Vapors in the tool may ignite, causing the tool to explode. Ignoring this warning may lead to serious personal injury or even death!

Lubricating

Standard pneumatic tool oil has been included with your new Shop Fox stapler to help maintain its useful life. Place two to three drops of oil in the stapler air inlet (as shown in **Figure 9**) before every use, or after 2 hours of continuous use.

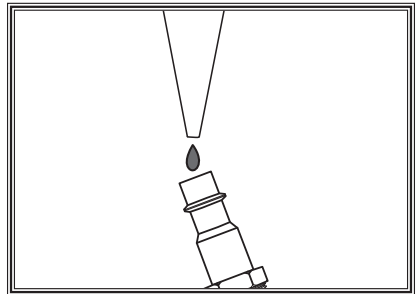
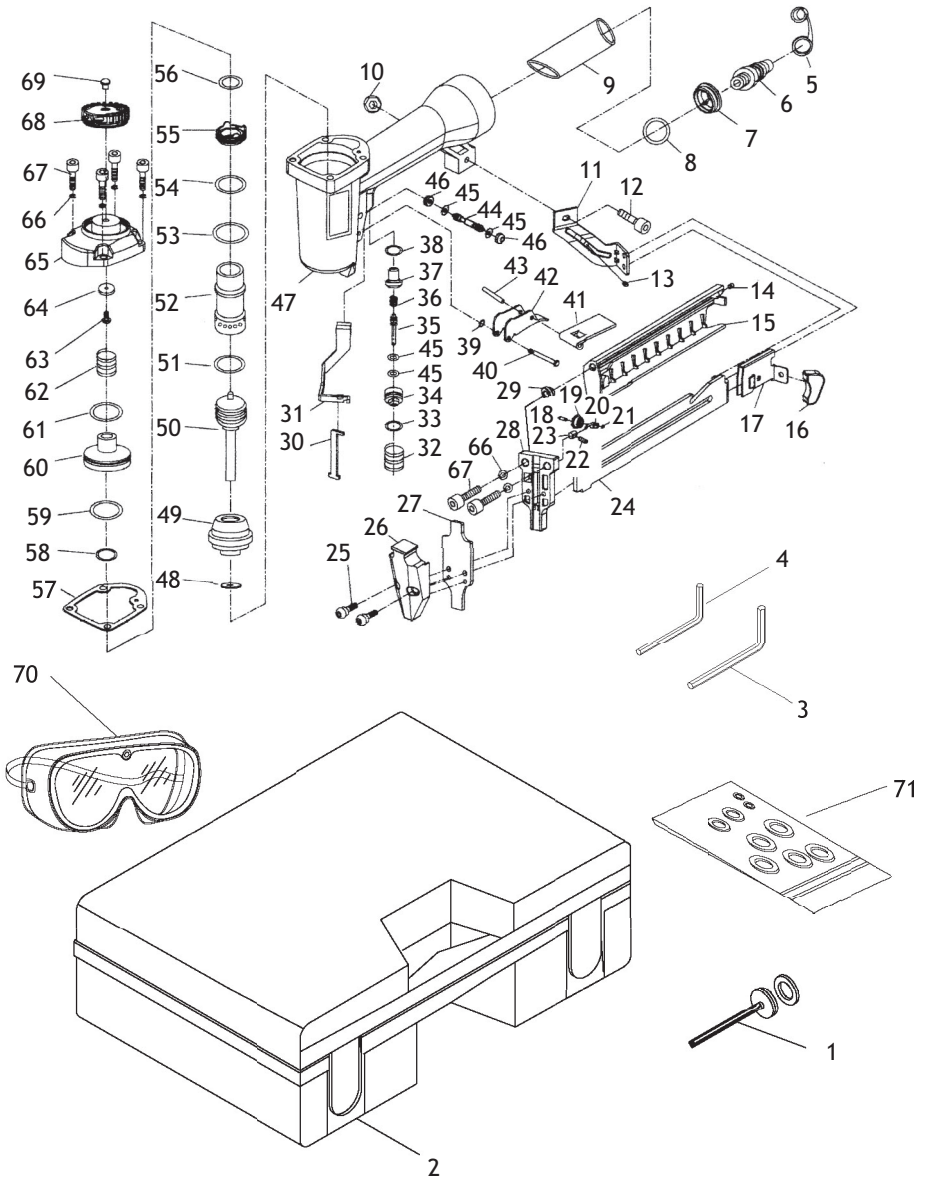


Figure 9. Lubricating stapler via air inlet.

Wipe off any excess oil near the stapler exhaust to avoid dust build-up. When the oil that was included with the stapler has been completely used, replace with a quality pneumatic tool oil.

An alternative to manual oiling is to install a lubricator in your air compressor line. A lubricator eliminates the need to oil your tool each time you use it. If you have a lubricator in your air compressor line, ensure it is functioning properly.

PARTS BREAKDOWN



PARTS LIST

REF	PART #	DESCRIPTION
1	X1779001	PISTON REPAIR KIT
2	X1779002	CARRYING CASE
3	XPAW04M	HEX WRENCH 4MM
4	XPAW03M	HEX WRENCH 3MM
5	X1779005	AIR PLUG COVER
6	X1775007	1/4" NPT MALE CONNECT
7	X1779007	END CAP
8	X1779008	O-RING 42 X 2.4
9	X1779009	RUBBER HANDLE CASE
10	XPLN01M	LOCK NUT M4-.7
11	X1779011	TALL STOPPER
12	XPSB16M	CAP SCREW M4-.7 X 16
13	X1779013	COMPRESSION SPRING
14	XPSB110M	CAP SCREW M4-.7 X 6
15	X1779015	DRIVE NAIL PLATE
16	X1779016	LEVER
17	X1779017	PUSHER
18	X1779018	SPRING PIN
19	X1779019	SPRING SEAT
20	X1779020	COMPRESSION SPRING
22	XPSS82M	SET SCREW M3-.5 X 8
23	X1779023	TALL STOPPER
24	X1779024	MAGAZINE
25	X1779025	SPCL CAP SCR M4-.7 X 8
26	X1779026	SAFETY COVER
27	X1779027	COVER PLATE
28	X1779028	DRIVE GUIDE
29	X1779029	FIXED RING
30	X1779030	SAFETY NOSE
31	X1779031	SAFETY STAND
32	X1779032	COMPRESSION SPRING
33	X1779033	O-RING 11.2 X 2
34	X1779034	TRIGGER VALVE GUIDE
35	X1779035	TRIGGER VALVE STEM
36	X1779036	COMPRESSION SPRING

REF	PART #	DESCRIPTION
37	X1779037	TRIGGER VALVE SEAT
38	X1779038	O-RING 9 X 1.8
39	X1779039	O-RING 2 X 2.5
40	X1779040	STEP PIN
41	X1779041	SAFETY SPACER
42	X1779042	TRIGGER
43	X1779043	ROLL PIN 3 X16
44	X1779044	SHIFT LEVER
45	X1779045	O-RING 2 X 1.5
46	X1779046	SHIFT CAP
47	X1779047	GUN BODY
48	X1779048	SEALING WASHER
49	X1779049	BUMPER
50	X1779050	MAIN PISTON
51	X1779051	O-RING 21 X 3
52	X1779052	CYLINDER
53	X1779053	O-RING 29.7 X 3.55
54	X1779054	O-RING 30 X 1.8
55	X1779055	COLLAR
56	X1779056	O-RING 44 X 1.8
57	X1779057	SEALING GASKET
58	X1779058	BUMPER WASHER
59	X1779059	O-RING 33 X 2.1
60	X1779060	SWITCH VALVE
61	X1779061	O-RING 14.7 X 2.4
62	X1779062	COMPRESSION SPRING
63	XPS12M	PHLP HD SCR M3-.5 X 6
64	X1779064	BUMPER WASHER
65	X1779065	CYLINDER COVER
66	XPLW01M	LOCK WASHER 5MM
67	XPSB15M	CAP SCREW M5-.8 X 20
68	X1779068	AIR DEFLECTOR
69	X1779069	SPECIAL SCREW
70	X1779070	SAFETY GLASSES
71	X1779071	COMPLETE O-RING SET

Troubleshooting

Symptom	Possible Cause	Possible Solution
Air leaking at trigger valve area.	1. O-rings in trigger valve housing are damaged.	1. O-rings must be replaced & operation of safety nose must be checked.
Air leaking between housing and hose.	1. Loose screws in housing. 2. Damaged O-ring. 3. Loose air fitting.	1. Tighten screws. 2. Replace O-ring 3. Tighten air fitting & use teflon tape.
Air leaking between housing and cap.	1. Damaged seal.	1. Replace damaged seals.
Tool skips staples while discharging.	1. Excessive air pressure. 2. Air leaks. 3. Dirt in nose. 4. Dirt or damage prevents staples from moving freely. 5. Inadequate air flow to tool. 6. Worn piston O-ring or lack of lubrication. 7. Damaged trigger valve O-rings. 8. Worn bumper. 9. Cap seal leaking.	1. Reduce air pressure to tool. 2. Reseal and tighten screws and fittings. 3. Clean nose. 4. Clean magazine and inspect/repair damage. 5. Check fittings, hose, compressor, and air pressure. 6. Replace O-ring and lubricate. 7. Replace trigger valve O-rings. 8. Replace bumper. 9. Replace cap seal.
Tool runs slowly or has a loss of power.	1. Undersized air hose. 2. Stapler is not lubricated. 3. Broken spring in cap assembly. 4. Exhaust port in cap is blocked.	1. Use a larger hose. 2. Lubricate stapler. 3. Replace spring. 4. Clean or replace damaged internal parts.
Fasteners frequently jam the stapler.	1. Staples are the wrong size. 2. Staples are bent or dirty. 3. Magazine or nose screws are loose. 4. Driver or driver guide are worn or damaged.	1. Use correct staples. 2. Use undamaged, clean staples. 3. Tighten magazine. 4. Replace worn or damaged parts.
Stapler does not fire.	1. Stapler is not lubricated. 2. Staple is jammed in magazine or discharge area. 3. Piston shaft is damaged. 4. Air pressure too low.	1. Follow lubricating instructions. 2. Clear stapler magazine or discharge area. 3. Replace piston shaft. 4. Check/increase air pressure.

WARRANTY AND RETURNS

Woodstock International, Inc. warrants its pneumatic equipment to be free of defects from workmanship and materials for a period of 1 year from the date of original purchase. The liability under this warranty shall not exceed the purchase price paid for the products and is limited to credit for, or replacement of the defective part.

We do not warrant or represent that the merchandise complies with the provision of any law or acts, and buyer assumes all risk and liability resulting from the use of the goods, whether using singly or in combination with other products.

This warranty does not apply to defects or damages due directly or indirectly from misuse, abuse, negligence, accidents, repairs or alterations, or lack of maintenance of our products. We shall in no event be liable for death or injuries to persons or property or for incidental, contingent, special or consequential damages arising from the use of our products. This disclaimer applies to both during and after the term of this warranty. Any legal actions brought against Woodstock International, Inc. shall be tried in the State of Washington, County of Whatcom.

Woodstock International, Inc. reserves the right to implement any changes in specifications or discontinue any products without notice.

Warranty Registration

Name _____

Street _____

City _____ State _____ Zip _____

Phone # _____ Email _____ Invoice # _____

Model # _____ Serial # _____ Dealer Name _____ Purchase Date _____

The following information is given on a voluntary basis. It will be used for marketing purposes to help us develop better products and services. Of course, all information is strictly confidential.

1. How did you learn about us?

Advertisement Friend Local Store
 Mail Order Catalog Website Other:

2. How long have you been a woodworker/metalworker?

0-2 Years 2-8 Years 8-20 Years 20+ Years

3. How many of your machines or tools are Shop Fox?

0-2 3-5 6-9 10+

4. Do you think your machine represents a good value? Yes No

5. Would you recommend Shop Fox products to a friend? Yes No

6. What is your age group?

20-29 30-39 40-49
 50-59 60-69 70+

7. What is your annual household income?

\$20,000-\$29,000 \$30,000-\$39,000 \$40,000-\$49,000
 \$50,000-\$59,000 \$60,000-\$69,000 \$70,000+

8. Which of the following magazines do you subscribe to?

<input type="checkbox"/> Cabinet Maker	<input type="checkbox"/> Popular Mechanics	<input type="checkbox"/> Today's Homeowner
<input type="checkbox"/> Family Handyman	<input type="checkbox"/> Popular Science	<input type="checkbox"/> Wood
<input type="checkbox"/> Hand Loader	<input type="checkbox"/> Popular Woodworking	<input type="checkbox"/> Wooden Boat
<input type="checkbox"/> Handy	<input type="checkbox"/> Practical Homeowner	<input type="checkbox"/> Woodshop News
<input type="checkbox"/> Home Shop Machinist	<input type="checkbox"/> Precision Shooter	<input type="checkbox"/> Woodsmith
<input type="checkbox"/> Journal of Light Cont.	<input type="checkbox"/> Projects in Metal	<input type="checkbox"/> Woodwork
<input type="checkbox"/> Live Steam	<input type="checkbox"/> RC Modeler	<input type="checkbox"/> Woodworker West
<input type="checkbox"/> Model Airplane News	<input type="checkbox"/> Rifle	<input type="checkbox"/> Woodworker's Journal
<input type="checkbox"/> Modeltec	<input type="checkbox"/> Shop Notes	<input type="checkbox"/> Other:
<input type="checkbox"/> Old House Journal	<input type="checkbox"/> Shotgun News	

9. Comments: _____

CUT ALONG DOTTED LINE

FOLD ALONG DOTTED LINE



WOODSTOCK INTERNATIONAL INC.
P.O. BOX 2309
BELLINGHAM, WA 98227-2309



FOLD ALONG DOTTED LINE

TAPE ALONG EDGES--PLEASE DO NOT STAPLE

Free Manuals Download Website

<http://myh66.com>

<http://usermanuals.us>

<http://www.somanuals.com>

<http://www.4manuals.cc>

<http://www.manual-lib.com>

<http://www.404manual.com>

<http://www.luxmanual.com>

<http://aubethermostatmanual.com>

Golf course search by state

<http://golfingnear.com>

Email search by domain

<http://emailbydomain.com>

Auto manuals search

<http://auto.somanuals.com>

TV manuals search

<http://tv.somanuals.com>