



Commercial Mower Owner's Manual

For Sport X Serial Numbers 55864 and Higher Until Superseded



WARNING: READ THIS MANUAL BEFORE USING

Revised 7/2011

For your safety and for proper operation and maintenance read carefully and keep readily available for future reference.

Additional replacement owner's manuals as well as illustrated parts lists are available from your authorized Wright Dealer for a nominal charge. Also check www.wrightmfg.com for the most up to date product literature. Please note the complete model number and serial number of your Wright product.

For reference please note the following information at the time of purchase:

SERIAL # _____

MODEL # _____

DATE OF PURCHASE _____

Unit must be registered by your dealer at the time of sale or with-in 14 days to activate your two year warranty

Foreword

Welcome to the progressive group of mowing professionals who use Wright mowers. We are focused on giving you advanced engineering and quality construction in each mower we build.

This manual explains the features and promotes safer use of the mower. Please read it in its entirety and follow the instructions carefully so that you can have many years of safe and productive operation with your Wright product. This manual contains information pertaining to European models also. All information referencing "CE" only applies to European units.

For service, remember that your Wright dealer knows your mower best and is interested in your satisfaction. Your dealer can provide you with quality maintenance and other assistance that you may need.

Please provide this manual to anyone who may operate the mower for them to study before operation. Additionally, make the manual and service documents available to anyone to whom you may sell the mower in the future. It is important that the next owner receive this information also.

As Wright Manufacturing, Inc. is constantly seeking ways to improve its products, the mower you have may differ slightly from the information and specifications in this manual. Wright reserves the option to make changes at any time without notice, in the process of continually improving our products.

Wright Manufacturing, Inc.



SAFETY ALERT

This is the safety alert symbol. It is used throughout this manual and on the mower's safety labels to alert you to potential personal injury hazards. Obey all safety messages that follow this symbol to avoid possible injury or death. Read these instructions carefully. It is essential that you read the instructions and safety precautions before you attempt to work on or use this unit.



WARNING

This symbol with the "WARNING" indicates a potentially hazardous situation which, if not avoided, could result in death or serious injury.



CAUTION

This symbol with the word "CAUTION" indicates a potentially hazardous situation which, if not avoided, may result in minor or moderate injury.

©1998-2011 Wright Manufacturing, Inc. All rights reserved. This material may not be reproduced or copied, in whole or part, without written permission from Wright Manufacturing, Inc. Grass Gobbler, Gobbler, Leaf Gobbler, Velke, Pro 1, X2, Stander, and Sentar are trademarks of Wright Manufacturing, Inc.

TABLE OF CONTENTS

PRE-DELIVERY SERVICE OF MOWER BY DEALER	3
SAFETY INSTRUCTIONS	5
INTRODUCTION	5
GENERAL SAFETY INSTRUCTIONS	5
OWNER/USER NOTICE	5
USER QUALIFICATIONS.....	5
USER CLOTHING.....	6
INSPECT MOWER BEFORE EACH USE	6
REGULAR MOWER SAFETY MAINTENANCE.....	6
WORK AREA CONDITIONS & INSPECTION	6
INITIAL OPERATING SAFETY GUIDELINES	7
OPERATION IN FORWARD DIRECTION.....	7
OPERATION IN REVERSE.....	7
ZERO-RADIUS TURN OPERATION	8
OPERATION ON SLOPES	8
FUEL SAFETY	8
HYDRAULIC SAFETY.....	9
USING A SPARK ARRESTER	9
REPLACEMENT PARTS	9
OPERATING INSTRUCTIONS.....	10
INSPECT MOWER BEFORE EACH USE	10
HOW TO START THE MOWER	10
HOW TO DRIVE THE MOWER	10
HOW TO STOP AND PARK THE MOWER	11
DRIVING THE MOWER OVER A CURB	11
MOWING ON VARYING TERRAIN	11
FUEL SYSTEM/FUEL SHUT-OFF VALVE	11
HOW TO ADJUST NEUTRAL.....	11
CHANGING THE SPEED/SENSITIVITY ADJUSTMENT	12
HOW TO PERFORM THE TRACKING ADJUSTMENT	12
HOW TO TEST/USE THE BLADE CLUTCH/BRAKE SWITCH.....	12
HOW TO TEST THE OPERATOR PRESENCE CONTROL (OPC) SWITCH	13
SERVICE AND ADJUSTMENTS	13
TIRE MAINTENANCE AND PRESSURE	13
HEIGHT-OF-CUT	13
DECK ADJUSTMENTS.....	13
BELT TENSION ADJUSTMENT.....	14
REPLACING CUTTER DECK BELT.....	14
REPLACING DRIVE BELT	14
DECK LIFT ASSIST ADJUSTMENT.....	14
SEAT ADJUSTMENTS.....	15
HYDRO OIL TANK CHECK AND FILL.....	15
LUBRICATION	15
HOW TO MOVE THE MOWER IF THE ENGINE WON'T START	15
BLEEDING AIR FROM THE HYDRAULIC SYSTEM	16
BATTERY SERVICE	16
CLEANING THE MOWER.....	16
FUEL EVAPORATION SYSTEM.....	16
TORQUE SPECIFICATION CHART.....	17
SPINDLE AND DRIVE PULLEY SPLIT HUB R&R	17
SPINDLE SET-UP / BLADE OPTIONS.....	17
CONSUMABLES / MAINTENANCE ITEMS	19
MAINTENANCE INTERVAL CHART	20
MAINTENANCE RECORD	21
DECALS	22
POWER EQUIPMENT LIMITED WARRANTY	23
CUT QUALITY AND MOWING TIPS	24
FEDERAL & CALIFORNIA EMISSION CONTROL WARRANTY STATEMENT.....	25

PRE-DELIVERY SERVICE OF MOWER BY DEALER



Before proceeding with the Pre-Delivery Service of your mower, please read the safety instructions manual in its entirety. Only your authorized Wright dealer should perform the Pre-Delivery Service of the mower.

The Wright Sport X is shipped completely assembled and has been adjusted and tested at the factory. However, due to the jostling of the shipping process and the delivery time lapse, the following items need to be repeated again before starting the mower. After you have uncrated the mower, follow these procedures in the order indicated:

- Inspect the mower for any damage, unusual conditions or missing parts.
- Inspect the mower for all of its decals, especially the warning decals. There should be one blade warning decal on each side of the deck, the “shield missing” decal under the blade belt cover, and the dash decal.
- Check service, parts and recall bulletins to ensure unit does not need any updates.
- Check (and fill if necessary) engine oil level according to the engine manufacturer’s recommendation.
- Check (and fill if necessary) hydraulic fluid level. Use fully SYNTHETIC oil: Mobil-1 15W-50 (see Hydro Check/Fill section of this manual).
- Check rear tire pressure – 18 – 22 psi. is recommended. Use the higher pressures for heavier operators. Front Casters are equipped with non-pneumatic tires and do not require any air. *Lowering tire pressure will affect deck pitch. Always check pitch any time tire pressure is set below recommended pressures.*
- Lubricate all appropriate moving parts (see the Lubrication section of this manual).
- Check the battery to see that the cables are tight and connected properly. The battery is 12 volts and is a maintenance-free battery. Only charge the battery if it will not start the mower properly.
- Check the “Quick Cut Height” deck adjustment system for proper operation.
- Add regular unleaded gasoline to fuel tank. (use a minimum of 87 octane gasoline) (*You may use gasoline containing up to 10% ethanol and gasoline containing up to 5% of methanol.*)
- Check brake safety interlock.
 - Try starting the engine with the parking brake released. (Engine should not start. If engine starts, service the parking brake locking system)
 - Apply parking brake
- Start the engine according to the engine manufacturer’s recommendation. Let the engine run at low - mid RPM for several minutes to ensure the engine oil reaches all of the engine parts and gets the hydraulic fluid circulating through the pumps, etc.
 - Check if the parking brake locking system prevents the units from being driven while engaged. If not, service the parking brake locking system.
- Release the parking brake. Next, move the hand control levers, one at a time, to make the wheels move in forward and backward rotation.

- Before testing the blade clutch/brake operation, make sure the area is clear and there is nothing vulnerable to possible thrown objects from under the mower. No one should be near the mower deck or in its line of discharge at this or at any time. The discharge chute deflector should be in the down position.
 - Move the engine throttle control to $\frac{3}{4}$ RPM speed setting.
 - Turn on the blade clutch switch. Run blades for approximately one minute. Next, engage and disengage the blades a few times about 10 seconds apart. If the blades do not start and stop in a few seconds each time, service the blade brake system.
 - With the blades on, disengage the OPC switch to test the Operator Presence Control switch (OPC). A time delay has been added to the OPC system. The engine should die and the blades should stop with-in 6-9 seconds after stepping off of the foot platform. If not, service the OPC system.
 - Disengage the blades.
 - Drive the mower around on a level parking lot. Check that the mower drives in a straight line when both hand controls are at the full speed position. (If not, refer to How to Perform The Tracking Adjustment section of this manual) (The control handles may not line up perfectly)
 - As you drive the mower, listen for any unusual noises and test for irregular operation and adjust or service as necessary.
 - Go over the safety information and operating procedures in this manual with the customer. Instruct each customer in proper operation and observe the customer during their initial operation on a level parking lot. Repeat until the customer is familiar and comfortable with the basic operation and use of the mower.*
- **Dealer:**
- Register the mower online within 14 days from the date of retail purchase. (If unable to use the online registration process, contact your Distributor to register for you)**
 - Registering the product indicates you have successfully completed the pre-delivery service checklist.**
 - The limited warranty is considered invalid unless the unit is registered and the above steps are taken.**
 - Remember, the purchaser is both your customer and our customer and his/her satisfaction is very important. Thank you for supporting our products.**

The mower is now ready for delivery to your customer

SAFETY INSTRUCTIONS

**WRIGHT MOWER USERS & OWNERS: READ THIS MANUAL BEFORE USING
PLEASE BE CAREFUL!**



WARNING

This symbol with the word "WARNING" indicates a potentially hazardous situation which, if not avoided, could result in death or serious injury.



CAUTION

This symbol with the word "CAUTION" indicates a potentially hazardous situation which, if not avoided, could result in minor or moderate injury.

Introduction

This mower is built to the highest standards in the industry. However, carelessness or operator error may result in serious bodily injury or death. Accident and hazard prevention are dependent upon the awareness, concern, wisdom, and proper training of the personnel involved in the operation, transport, maintenance, and storage of the equipment. Make sure every operator is properly trained and thoroughly familiar with all of the information in this manual before operating the equipment.

General Safety Instructions

The Wright Sport X is designed with your safety in mind. It has the following safety systems with which you should become familiar:

- The warning decals on the mower including the instrument panel warning
- The blade switch must be "off" before starting the engine
- Your feet must be on the foot platform in order to engage the blades
- If you remove your feet from the foot platform while the blades are running the engine will stop and the blades will brake in seconds
- Letting go of the hand controls will stop the wheels instantly
- Spring loaded chute deflector helps reduce trajectory of thrown objects
- Belt/pulley covers on cutter deck
- Anti-tip rollers provided at the rear of the mower reduce the risk of mower tipping



WARNING

Owner/User Notice

The owner's/user's obligation is to instruct themselves and all potential users in the safe operation of this equipment and be sure they read and follow the instructions in this safety manual and other material provided by Wright Manufacturing, Inc. before using or allowing others to operate the equipment. Do not operate this unit unless you carefully read, understand and follow the assembly, installation, and safety instructions contained in this manual and the warning decals provided on the unit. Do not allow other persons to use this unit unless you make sure they carefully read, understand and follow these instructions. Never allow children to operate or play on the unit.



WARNING

User Qualifications

This product is designed for use by physically fit, experienced, professional commercial mower operators who have a minimum of 160 hours of experience operating fifteen horsepower and greater industrial mowers. Operators must be 18 years or older and weigh at least 120 pounds and no more than 300 pounds. They must have read and understood this manual. **DO NOT** allow children to operate the mower. Never allow passengers on the mower. **DO NOT** allow adults to operate the mower without proper instruction mentioned above.



User Clothing

DO NOT operate the mower while wearing sandals, tennis shoes, sneakers, or shorts. Always wear long non-baggy pants. Wear high-top leather steel-toed work boots with thick, textured tread, soft-rubber soled at all times. Hard or smooth soled shoes are too slippery for a good footing on mower platform. NEVER wear loose-fitting clothing or jacket pockets that can get caught on the handlebars or control levers of any mower you drive. Wearing safety glasses, ear protection and safety shoes is advisable and required by some local ordinances and insurance regulations.



Inspect Mower Before Each Use

DO NOT use the mower if any parts are not maintained in good operating condition. Examine the moving parts prior to each use. Look for excessive wear, bald or worn tires, cracks in parts, loose or missing bolts, cotter pins, linchpins and replace before operating the mower. Make sure all safety equipment provided with the mower is in good operating order, including all the warning decals and the required operator-presence device which stops the engine and blades when the foot-operated Operator Presence Control (OPC) switch is released. (To test the OPC, follow instructions in the [Operating Instructions](#) section of this manual.) Inspect the two anti-tip rollers and their respective bolts at the rear of the mower for tightness and proper operation. Be sure that all parts of the hand-operated hydraulic control system are tight and secure. This is to reduce the possibility that the mower could have a loss of control during operation and compromise operator safety. Ensure deck pitch is between 1/4 - 3/8". (Refer to the *maintenance interval chart at the end of this manual*)



Regular Mower Safety Maintenance

Keep your Wright mower in good operating condition, and keep safety devices and shields in place and in working condition. Replace worn tire(s) with less than 3/32" of any tread groove left. Use tires with the tread pattern specified by Wright Mfg., Inc. only. DO NOT change the engine governor settings or over-rev the

engine contrary to engine manufacturer specifications. Failure to comply can compromise operator safety, shorten equipment life and void your manufacturer's warranty. Keep all nuts, bolts, and screws tight to be sure the equipment is in safe working condition. *Check the blade mounting bolts for proper tightness every eight (8) hours of operation.* Check the blades for excessive wear and sharpness every four to eight (4-8) hours of operation. Sharpen dull blades. Replace blades when they become excessively worn. The mower should not be used after the blades or other part of the mower strikes a foreign object, until conducting a thorough inspection and any damage is repaired. *When inspecting or changing blades, turn off the blade clutch switch, apply the parking brake, stop the engine and remove the key.* Make sure the chute deflector is always in place and operating properly. Replace if the deflector becomes worn or ceases to properly deflect the grass in a safe manner. (Refer to the maintenance interval chart at the end of this manual)



Work Area Conditions & Inspection

Prior to operating the unit, carefully inspect all lawn/ground areas where you plan to use the mower for hidden, hard-to-see objects or uneven ground that may be hidden in the grass. Clear the work area of moveable objects such as wires, rocks, glass, toys, etc. that might be picked up by the mower and dangerously thrown. Remove, if possible, or mark the location of all immovable objects or irregular areas and be sure not to hit them with any part of the mower, its deck or the blades. Obstacles such as holes, abrupt changes in ground contour, tree trunks, stumps or roots, pipes protruding from the ground, paving edges, etc. in the path of operation can abruptly turn or stop the mower. This could throw you off the mower or into and possibly over the handle bars causing serious injury or death. The faster you are moving the more potential there is for injury. Mow only in daylight or in good artificial light. *Keep away from drop-offs, the edges of ponds, streams, pools, etc. especially at the bottom of slopes.* Do not mow when children or others are around. When the Wright mower is in use, never direct the grass discharge toward bystanders, traffic, cars or buildings nor allow anyone within 50 feet of the machine while in operation. Thrown objects can pass through glass windows and some walls of buildings. There is extreme risk of danger from thrown objects or being cut by the blades of the mower or being run over if you lose control. Never operate the mower in an enclosed area without good, approved ventilation. Exhaust fumes are dangerous.



Initial Operating Safety Guidelines

- Read and understand the warnings on the instrument panel of the mower.
- Keep a firm hold on the stationary handle at all times.
- Keep both feet on the foot platform at all times.
- Know the controls and how to stop quickly.
- Before attempting to start the engine, follow all starting instructions below and in the engine operator's manual.
- Look behind before backing up.
- Before leaving the operator's position, even momentarily, turn off the blade clutch engagement switch and apply the parking brake. Keep others from coming near the mower. Get back on the mower as soon as possible.
- When leaving the Wright mower unattended, turn off the blade clutch engagement switch, apply the parking brake, stop the engine and remove the key. Never leave the machine unattended on a slope in case someone disengages the parking brake. This could create a rollover hazard.
- When transporting, driving onto transport vehicles, into buildings, across parking lots or otherwise not mowing grass, turn off the blade clutch engagement switch to reduce risk of thrown objects and rotating blade hazard. After coming to a stop apply the parking brake, stop the engine and remove the key.
- Before performing any maintenance or repair service, disengage power to blades, apply the parking brake, stop the engine, remove ignition key and spark plug wire from spark plug(s).
- All operators of this mower should exercise caution when driving this mower at high speeds. Sudden acceleration or deceleration may cause serious injury.
- DO NOT allow inexperienced persons to operate the mower until they have read and understood these safety instructions. **Operate the mower at slower speeds while becoming familiar with it.**
- The grass discharge chute deflector must be installed at all times and in the down position except that it may be raised when cleaning out the deck or a grass catcher is installed or a mulch kit and block-off plate is properly installed.

- If the mower discharges grass clogs, turn off the blade clutch switch, apply the parking brake, stop the engine and remove the key before removing obstruction(s).
- Keep all shields and covers in place, namely, all blade and belt covers, engine shields, and grass discharge chute deflector.
- Keep hands, feet and clothing away from rotating parts, especially the rear wheels, blades, engine flywheel, belts and pulleys.
- Do not touch engine, muffler or hydraulic system while engine is running or soon after it is stopped. These areas can be so hot as to cause severe burns.
- **Clean grass, leaves and lubricant spills from surfaces after use to prevent fire hazard.**
- Be alert for traffic when crossing roads or operating near roadways.
- Before climbing curbs, crossing gravel drives, sidewalks or roads, turn off the blades and wait for them to stop.



Operation In Forward Direction

Always keep a firm grip on the mower stationary handlebar with both hands. Operate the mower slowly until you become familiar with how the mower operates. Do not operate the mower faster than conditions allow. For example, hills, wet or bumpy ground, dim light or high grass are all conditions requiring slower speeds. Never operate the mower at the highest speed unless you are on level, wide, open areas of clearly visible ground or transporting on paved areas. Speeding with any mower is dangerous, and so is traveling faster than conditions should permit on this mower. Sudden stops from excessive speed or falling off the mower may cause serious injury or death.



Operation In Reverse

Always keep a firm grip on the mower stationary handlebar with both hands. Keep both feet firmly on the foot platform. Look behind you before backing to prevent injuring yourself or anyone behind you. Operate the mower very slowly, inching it backward until you become familiar with how the mower operates. Always operate slowly if in an awkward location or position. While backing up never place your foot or feet on the ground near the back edge of the mower to prevent serious personal injury if the mower were to run over you.



Zero-Radius Turn Operation

During zero-radius turns (when one mower wheel rotates backwards while the other rotates forward) drive extra slowly to reduce the possibility of losing traction, or control, or becoming dizzy. This will help prevent you from being thrown off the mower. Be aware that if you do a turn on a slope you may go through all of the orientations to a slope mentioned below and must handle the mower accordingly.



Operation on Slopes

DO NOT operate on steep slopes 25 degrees or greater for long periods or engine damage may occur. Do not operate the mower on slopes steeper than you can feel secure about the traction of the tires and the stability of the mower. Do not operate the mower on slopes at all when the grass is wet. There is a danger of suddenly sliding sideways or down the hill. When operating on a slope, travel across the grade whenever possible, not in an up or down pattern. Reduce speed and exercise extreme caution on slopes and in sharp turns to prevent tipping or loss of control. Be especially cautious when changing direction on slopes.

When pointing up a slope, your mower has the most weight on the drive wheels and therefore the most traction at the tires. However, this is the angle that it has the most tendency to tip back (“pop a wheelie.”) This is the preferred angle for mowing small areas of steeper slopes.

Recommendations for this angle:

- Lean as far forward on the seat as possible or stand if necessary to add your weight to the front of the mower.
- Accelerate gently. Do not accelerate quickly to avoid “popping a wheelie”.
- If backing down the hill, do not stop suddenly but slow down gradually.

When pointing down a slope, your mower has the least weight on the rear drive wheels and therefore the least traction at the tires. This is the angle that the mower has the most tendency to slide. However, this is the angle that it has the least tendency to tip back. Avoid this angle, as it has the least advantage for your mower.

Recommendations for this angle:

- Stretch your arms out straight while holding onto the stationary handle bar and sit back as far as you can on the seat. This adds more of your body weight to the rear drive wheels for more traction.
- Do not change speed suddenly to minimize the tendency of going into a slide. Accelerate and decelerate gently. If you ever go into an uncontrolled slide while pointing down a slope the recommended procedure is to let go of the handles and jump off if necessary. Otherwise, control the mower gently and stay off slopes that tend to make the wheels slide.

When crossing a slope sideways, the Sport X has the average amount of weight on the drive wheels versus the front wheels, similar to level ground. However, this angle leaves the least weight on the higher side drive wheel, tending to make it slip. This is the preferred angle for mowing large areas of gentle slopes.

Recommendations for this angle:

- Sit back as far as you can in the seat and angle yourself to the higher side. This adds weight to the rear drive wheels and will allow you to mow more quickly across the slope without sliding. These are general guidelines only. The mower function and comfort will vary depending on mowing environment, operator driving style and preference.
- To reduce the chances of “popping-a-wheelie”, do not accelerate quickly.

Note: Excessively worn tire tread is dangerous. Replace tire(s) with less than 3/32” of any tread groove left. Use tires with the tread pattern recommended by Wright Mfg., Inc. only. Keep the tire pressure in the drive tires between 18 and 22 psi. Higher pressures will cause the tires to have less traction which may prevent safe operation. Lower pressure will affect the deck pitch, thus creating a level deck or a reverse pitched deck and this *WILL* compromise cut quality. (*Refer to tire maintenance and pressure section*)



Fuel Safety

Handle gasoline with care – it is highly flammable. Do not smoke while handling gasoline. Use an approved gasoline container. Never remove the fuel cap or add gasoline to a running or hot engine or an engine that has not been allowed to cool for several minutes after running. Never fill the tank indoors and always clean up spilled gas. NEVER store the equipment with gasoline in the tank inside a building

where fumes may reach an open flame or spark. Allow the engine to cool before storing in any enclosure. *(Drain fuel to a ½ tank when performing maintenance or repairs that require the unit to be tilted)*



Hydraulic Safety

Keep body and hands away from pin holes or fittings that eject hydraulic fluid under high pressure. Use paper or cardboard and not hands to search for leaks. Hydraulic fluid escape under high pressure may have sufficient force to penetrate skin and cause serious injury. If foreign fluid is injected into the skin, it must be surgically removed within a few hours by a doctor familiar with this form of injury or gangrene may result. Seek medical attention immediately. Make sure all hydraulic fluid connections are tight and all hydraulic hoses and lines are in good condition before starting your Wright mower. Hydraulic fluid is under high pressure. If you need service on your hydraulic system, please see your authorized Wright dealer.

Using a Spark Arrester

The engine in this machine is not equipped with a spark arrester muffler. It is in violation of California Public Resources Code Section 4442 to use or operate the engine on or near any forest-covered, brush-covered, or grass covered land unless the exhaust system is equipped with a spark arrester meeting any applicable local or state laws. Other states or federal area may have similar laws.



Replacement Parts

Use of parts other than specified parts supplied by Wright Manufacturing, Inc. may compromise the safe use of the mower, are not recommended and their use could void the warranty. Always check with your Dealer or the Wright Mfg website, www.wrightmfg.com for the Illustrated Parts List for your equipment.

Wright is fully concerned with your safety. Please read the above repeatedly until you fully understand the methods to promote the safest operation possible.

REMEMBER – YOUR MOWER CAN BE ONLY AS SAFE AS THE OPERATOR. FAILURE TO FOLLOW SAFE OPERATING PRACTICES MAY RESULT IN SERIOUS INJURY OR DEATH.

OPERATING INSTRUCTIONS



If you are not completely familiar with the Safety Instruction Manual read it now before proceeding with the operation of the mower. **REMEMBER THERE ARE CERTAIN PRECAUTIONS LISTED IN THIS MANUAL THAT YOU MUST NOW TAKE BEFORE STARTING THE MOWER.**

Inspect Mower Before Each Use

Inspection of Mower: Do not use the mower if any parts are not maintained in good operating condition. Examine all moving parts prior to each use. Look for excessive wear, bald drive tires or worn out front tires (normally smooth), cracks in parts, loose or missing bolts, cotter, linchpin or "hair" pins or cable yoke pins and replace before operating the mower. Make sure all safety equipment provided with the mower is in good operating order, including all warning decals and the operator-presence device which stops the engine and blades when the foot-operated Operator Presence Control (OPC) switch is released. To test the OPC, follow the instructions given later in this manual. Inspect the two anti-tip rollers and their respective bolts at the rear of the mower for tightness and proper operation. Ensure that all parts of the Quick-Cut Height control system are tight and secure. This is to reduce the possibility that the mower could have a loss of control or safety.

Basic Operation: The following procedures are to guide you through the basic operation of the mower. You should be a qualified mower operator according to the safety section of this manual. If this is your first time, operation should only be done with the assistance of your dealer on a level area. You should go through each step, in the order indicated, every time you start the mower.



CALIFORNIA Proposition 65 Warning

The engine exhaust from this product contains chemicals known to the state of California to cause cancer, birth defects or other reproductive harm.

How to start the mower

Before starting the engine

- Move mower to an open, well ventilated area.

- Make sure the control levers are in the exact neutral position.
- Apply the parking brake if it is not already set.
- Turn OFF the blade engaging switch if it is on.
- Check the engine oil.
- Turn fuel valve to the "ON" position.

Starting the engine

- Start the engine according to the engine manufacturer's recommendation, *see engine manual*. Set the throttle control lever near mid throttle, pull out on the choke control knob and turn the key to the start position. Do not engage the starter for more than ten (10) seconds at a time. This may overheat the starter and the wiring systems. Wait ten (10) seconds between attempts. If the engine does not start after several attempts or stalls frequently, take the mower in for service.

After starting the engine according to the engine manufacturer's recommendation, push in on the choke control knob to open the choke valve, let the engine run for several minutes to get the hydraulic fluid circulating through the pumps, etc. and to allow the engine to warm up. Do not over-rev a cold engine.

Unusual noises or irregular operation:

As you drive the mower, listen for any unusual noises and test for irregular operation and adjust or service as necessary.

How to drive the mower

While sitting or standing, both feet should be firmly placed on the foot platform. Set the engine speed about a fourth of the way from idle. Release the parking brake. Now try moving the hand control levers, one at a time, very slightly, forward and backward. Check to see if the wheels move forward and backward according to the position of the levers. If not, check to see that the pump release valves are closed. With both feet still firmly placed on the foot platform, increase the engine speed to about half of the way from idle speed. Release the parking brake. The higher engine speed will make the controls much more responsive and the mower much quicker;

Use caution if it is your first time. Now try moving the hand control levers, one at a time, very slightly, forward and backward. Gradually increase your speed until you are well acquainted with the operation of the hand controls and the mower's behavior. After gaining a good feel for how the mower handles, gradually attempt higher engine speeds until familiar with operation at full throttle engine speed.

How to Stop and Park the Mower

Come to a complete stop. If the blades are on, turn them off using the switch on the instrument panel. *Make sure the control levers are in the exact neutral position.* Set the parking brake, reduce the engine speed to idle, (**keep engine running at the idle speed for about 1 minute**) shut off the ignition switch to stop the engine and then remove the key from the ignition switch. Turn fuel valve to the "OFF" position. The mower is now parked. Do not leave mower unattended on a sloped surface.

Driving the Mower Over a Curb

To climb a curb, first see the [Safety Instructions](#) section of this manual, especially the parts on:

- [Initial Operating Safety Guidelines](#)
- [Operation In Reverse](#)
- [Operation In Forward Direction](#)

Next, raise the mower deck into the locked transport position. This is the highest position for the mower deck. Then drive the mower in reverse at a 45 degree angle to the curb (with the left side of the mower closest to the curb) until you are within an inch or two of the left-rear tire hitting the curb. Stop and then gradually bump into the curb with that tire until it is just on top of the curb. If the tire slips even while lurching the mower into the curb, then the curb is too high and you should use ramps or find another way. The mower should still be at a 45 degree angle to the curb. Now, while maintaining the same angle to the curb, continue to back up until the right-rear tire is close to the curb. Using the same technique lurch the right tire onto the curb. After both wheels are on top of the curb, turn the mower counterclockwise and back up so the left caster wheel comes over and last should be the right caster wheel as the mower is twisting to the left (counterclockwise). The technique works the best if you try not to drive backwards at a near 90 degree angle to the curb but get all of the wheels to go over while the mower is moving at least a 45 degree angle to the curb. To drive off a curb, first try driving up onto it to make sure the curb is not too high. If the curb is not too high, drive the right-front caster off first while driving toward the curb at a 45 degree angle (the curb should be to your right). Then, maintain that 45 degree

angle so the left caster goes over, then the right-rear wheel, then the left rear wheel. **WARNING:** Do NOT step off the mower during ANY maneuver.



Never drive straight onto or off a curb.

Never drive straight onto or off a curb. If you do the whole procedure at a very sharp angle it will tend to minimize the contact of the mower deck with the curb and you will be able to more safely control the mower.

Mowing on Varying Terrain

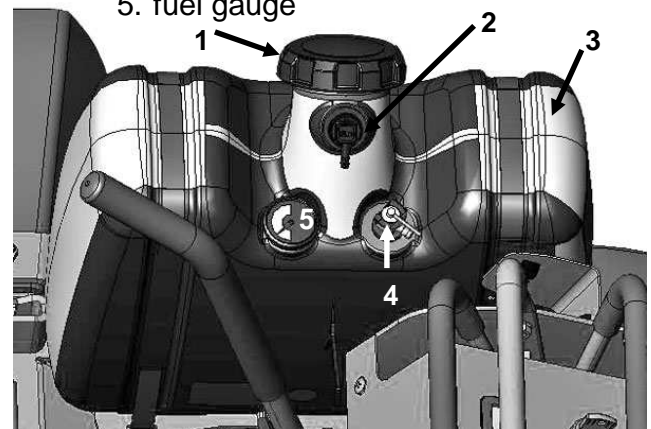
See the [Safety Instructions](#) section of this manual, especially the parts on:

- [Initial Operating Safety Guidelines](#)
- [Operation On Slopes](#)
- [Operation In Reverse](#)
- [Operation In Forward Direction](#)
- [Operation During Zero-Radius Turns](#)

Fuel System/Fuel Shut-Off Valves

□ Do not fill fuel tank completely. Fill until level is 1 inch below the bottom of the fill neck. This will allow for the gas to expand. (Refer to fuel safety section of this manual) (use a minimum of 87 octane gasoline) (*You may use gasoline containing up to 10% ethanol and gasoline containing up to 5% of methanol.*)

- Close fuel shut-off valve for transport, maintenance and storage.
 1. fuel cap
 2. roll-over vent
 3. fuel tank
 4. fuel shut-off valve
 5. fuel gauge



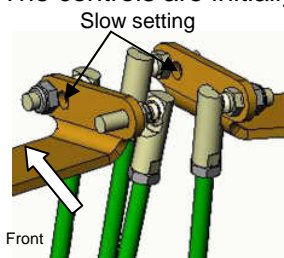
How to Adjust Neutral

Neutral refers to the mower movement when the engine is set to full throttle, parking brake is off, and the control levers are in the neutral position. The mower should not move forward or backward during

this time. If the mower is moving forward or rearward, the neutral setting must be adjusted. The hydraulic pump has a Return-to-Neutral (RTN) device built into the linkage of the pump. Before adjusting neutral, it is necessary to lift the rear drive wheels off the ground using a jack and stands. To make the adjustment, loosen the ¼" Allen bolt and rotate the RTN device on the pump corresponding to the wheel that needs adjustment. If the right wheel turns in the neutral position, then the right pump RTN needs to be adjusted. The RTN mechanism should be rotated until the neutral position is found and then retighten the ¼" allen bolt. Use care not to over tighten the allen bolt. Repeat the procedure on the other pump if necessary.

Changing the Speed/Sensitivity Adjustment

The controls are initially set with the Speed/



Sensitivity Adjustment in the faster, more sensitive position. If an operator is not completely familiar with the mower operation the operator may desire to decrease the ground speed.

The slower setting has a corresponding decrease in the sensitivity of the controls. In other words, a given amount of movement of the control levers will cause about a 25-30% change in the ground speed making the controls less sensitive. After **stopping the engine**, the adjustment is made by removing rod ends from the current holes in the control system torsion bar and reinstalling them into the alternate holes. The holes closest to the operator position are for the slower, less sensitive setting and the holes farthest from the operators position are the faster, more sensitive setting. You must then perform the Tracking Adjustment described below.

How to Perform the Tracking Adjustment

First ensure that the tire pressure is equal on both rear drive tires (18-22 psi). Drive the mower on a level parking lot with the engine at full throttle. Check that the mower drives in a straight line when both hand controls are held to the full speed position. If not, park the mower and **stop the engine**. The adjustment is made by loosening the jam-nuts on the control rods (this may need to be done to one or both control rods) and adjusting the control rods. Once the jam-nuts are loosened at the top and bottom of the control rod proceed to turning the control rod clockwise or counter-clockwise. Shortening the control rod will increase the speed of the forward movement of the mower

on that side. Lengthening the control rod will slow the forward movement of the mower on that side. In the "*faster*" *Speed/Sensitivity setting* (this is the factory setting) neither rod should be lengthened so much that at full speed it pulls the pump control lever (on the sides of the pumps) against the internal pump stop. Therefore, to reach the maximum capable speed, the rods should be lengthened one turn at a time until you can feel, in the hand control, that the internal pump stop has been contacted. Then shorten the rod one turn (damage to the hydro pump will occur if the controls are adjusted in a way that put direct pressure on the internal pump stop). You will feel the slight resistance. There is no need to start the engine while checking this incrementally. Remember, this procedure *does not apply* if the Speed/ Sensitivity Adjustment is in the slower setting.

If the rod is made shorter it will increase the forward speed capability for that side of the mower and if the rod is made longer it will slow down that side of the mower. So, if the mower is tracking to the left, either the left side needs to go faster (by shortening the left-side rod) or the right side needs to go slower (by lengthening the right-side rod). If the mower is tracking to the right, either the right side needs to go faster (by shortening the right-side rod) or the left side needs to go slower (by lengthening the left-side rod). It is important that neither rod should be shortened too far, as mentioned above.

The only reference point to limit the adjustment from becoming extremely off is the relative position of the pump stop and the handlebar in the *faster Speed/Sensitivity setting*. Therefore, if everything is way off either because you are installing new parts (or other reasons) you should only use the *faster Speed/ Sensitivity setting* to get the tracking accurate and then change to the slower speed range and adjust the tracking only one or two turns on either side.

After getting the mower to track straight, check and/or readjust the neutral adjustment on the pump by using a ¼" allen wrench at the Return-to-Neutral (RTN) mechanism, if necessary. It is normal to make these adjustments from time to time.

How to Test/Use the Blade Clutch/Brake Switch

Before testing the blade clutch/brake operation, make sure the area is clear and there is nothing vulnerable to thrown objects from under the mower. No one should be near the mower deck or in its line

of discharge. The discharge chute deflector should be in the down position. The parking brake should now be applied. Move the engine throttle to $\frac{3}{4}$ speed setting. When mowing, the engine speed should always be at its highest setting. The engine governor will regulate the engine according to the different mowing conditions at that setting. Place both feet firmly on the foot platform and turn on the blade clutch switch. Run blades for a minute or so. Try engaging and disengaging the blades a few times about 10 seconds apart. If the blades do not start and stop in 6-9 seconds each time, service the blade brake system or contact your local Wright dealer. Under mowing load, the clutch's life will be the greatest if engaged and disengaged at the $\frac{3}{4}$ throttle level.

How to Test the Operator Presence Control (OPC) Switch

A three second time delay was added to eliminate clutch cycling on bumpy terrain. To test, apply the parking brake and turn ON the blades, try lifting your feet off the foot platform to test the Operator Presence Control switch (OPC). The engine should kill and the blades should stop within 6-9 seconds. If not, service the OPC system or contact your local Wright dealer.

Service and Adjustments

Tire Maintenance and Pressure

Excessively worn tire tread is dangerous on all hills. Replace drive tires with less than $\frac{3}{32}$ " of any tread groove left. Use tires with the tread pattern recommended by Wright Mfg., Inc. only. Keep the tire pressure in the drive tires between 18 and 22 psi. Higher pressures will cause the tires to have less traction, which will force you to go slower and with less safety and give you a harder ride. Front Casters are equipped with non-pneumatic tires and do not require any air. They do not have any tread but should be replaced when excessively worn. Lowering the tire pressure below the recommended pressure will change the pitch of the deck which may require further deck pitch adjustment.

Height-of-Cut

Before Adjusting the Height-of-Cut be sure the mower blades are not spinning, and both rear tires have proper air pressure. Check for even tire wear. The height-of-cut can be adjusted the following ways:

- Pull the deck lift lever on the right hand side of the mower towards the rear of the mower until it clicks once into the locked transport position. Then set the mower blade height with the selector pin on the left hand side of the mower. Once the proper height setting

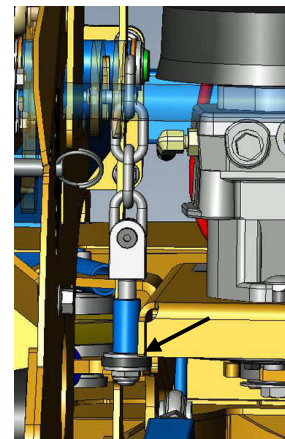
is set on the left, pull back on the deck lift lever on the right side and then lower the lever towards the front of the machine until it stops at the set height-of-cut.

Deck Adjustments

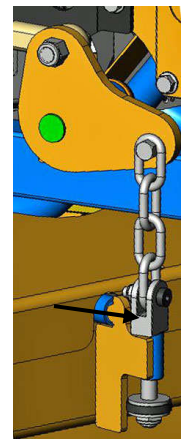
The mower deck can be adjusted for pitch and side-to-side levels. Pitch is the relationship between the front of the deck and the rear of the deck in regards to height of cut. In most cases, a positive pitch (front of the deck is lower than the rear of the deck) of $\frac{1}{4}$ " is the optimum setting. The adjustments can easily be made by using the deck lift rod assemblies attached to the front and rear deck lift arms and the threaded deck hangers (deck pitch and side-to-side adjustments) located at the front of the deck and at the rear of the deck frame. These hangers are connected to the chains that hold the deck.



First ensure Deck Lift Rod is 29" from center to center of the ball ends



Rear



Front

Pitch and side-to-side

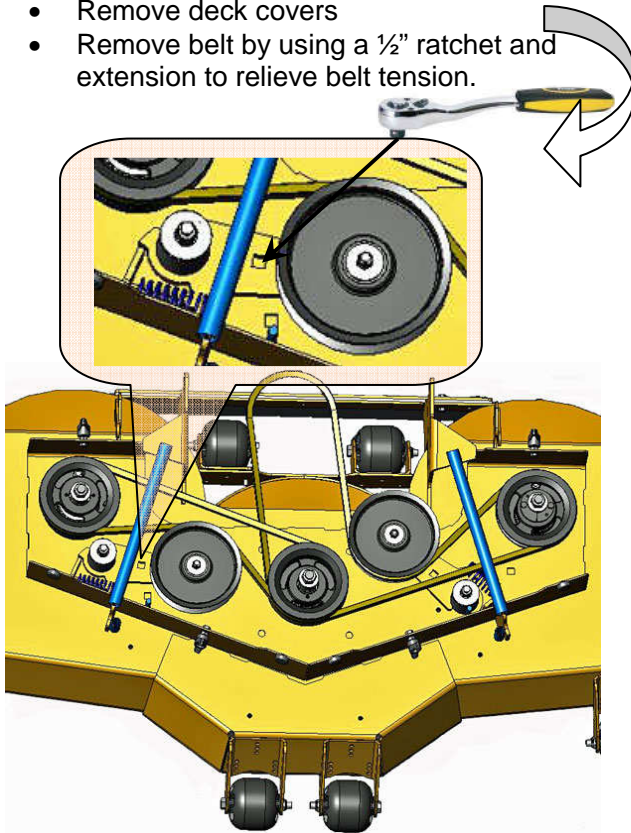
If you raise any of these settings above the factory setting, the deck may not raise all the way up into the transport position. Be sure and check the deck height of cut range after any adjustments are made to these hangers to ensure that the height of cut adjustments work properly. If unable to make the adjustments needed to align deck properly, contact your dealer for assistance.

Belt Tension Adjustment

The pump drive belt is self-adjusting, and requires no adjustment, just replacement. The blade drive belt is self-adjusting also and requires no adjustment, just replacement.

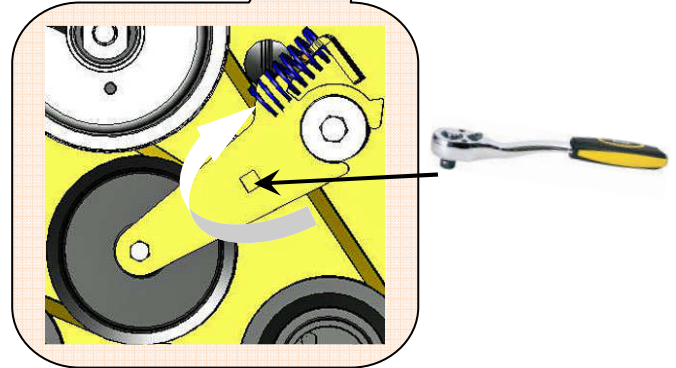
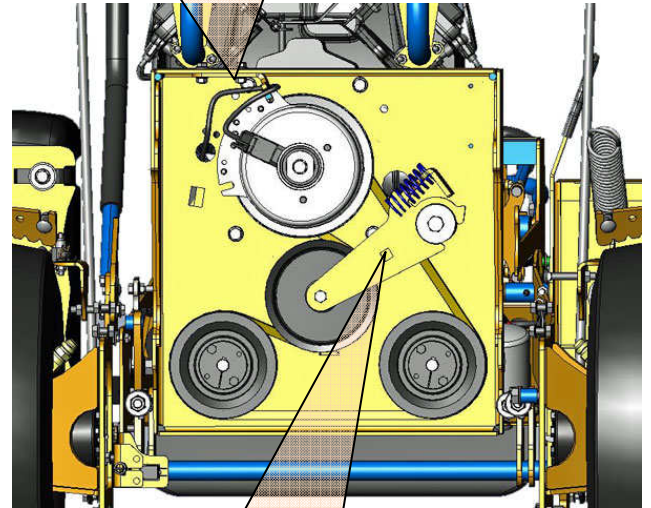
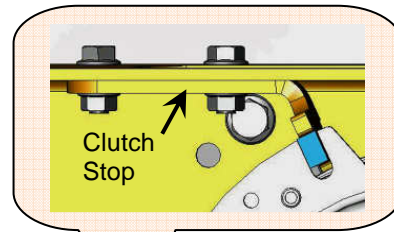
Replacing the Cutter Deck Belt

- Stop engine and remove the key and wait for all moving parts to stop.
- Remove deck covers
- Remove belt by using a ½" ratchet and extension to relieve belt tension.



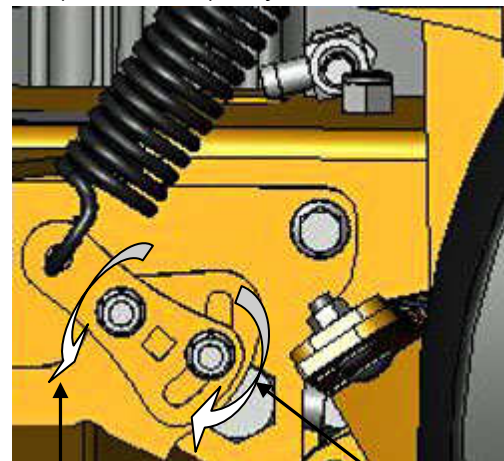
Replacing Drive Belt

- Stop engine and remove the key and wait for all moving parts to stop.
- Remove deck covers.
- Remove drive belt access panel.
- Remove cutter deck engine to blade belt from clutch.
- Raise front of unit and secure
- Remove the clutch stop
- Remove belt by using a ½" ratchet and extension to relieve belt tension.
- Reinstall in reverse order. Figure shows belt configuration.
- **NOTE:** Ensure clutch stop is reinstalled.



Deck Lift Assist Adjustment

- Loosen the DLA adjustment hardware.
- Using a 3/8" ratchet, make tension adjustments. Note: Too much spring tension (easier to lift) may cause the deck to bounce.



Easier to lift

Harder to lift

Seat Adjustments

The Sport X seat is equipped with the ability to adjust the seat up and down as well as lock the seat in the down position to avoid seat bounce while standing. (Figure 1)

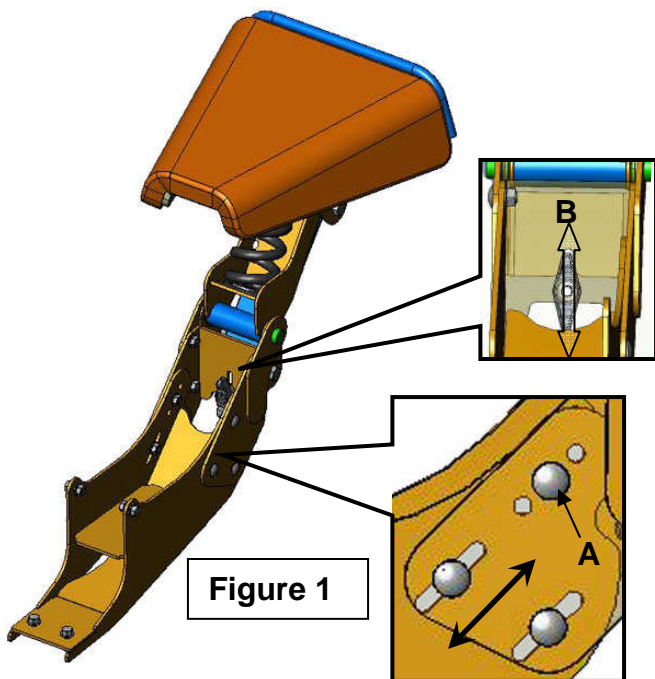


Figure 1

Height Adjustment:

- Loosen lower seat mounting hardware,
- Removing upper bolts. (Fig. 1A)
- Raise or lower seat to desired setting and re-install the upper bolts in the corresponding hole.
- Tighten all hardware.

Seat Lock:

- Loosen T-Knob (Fig. 1B)
- Slide up to top of slot and lock T-Knob to lock seat in position.
- To fold seat forward, loosen T-Knob and slide to bottom of slot.

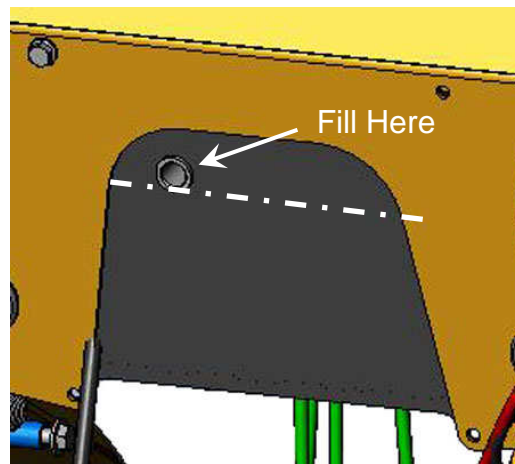
Hydro Oil Tank Check/Fill

Checking oil

- Ensure mower is on a level surface.
- Remove hex socket plug from oil level port on the front of the tank. Location is behind the engine attached to the front of the upright assembly.
- Hydro oil should be at the bottom of the threads.

Filling oil

- Remove hex socket plug.
- Using a funnel, fill tank through oil level port until oil reaches bottom threads of the port.



Lubrication

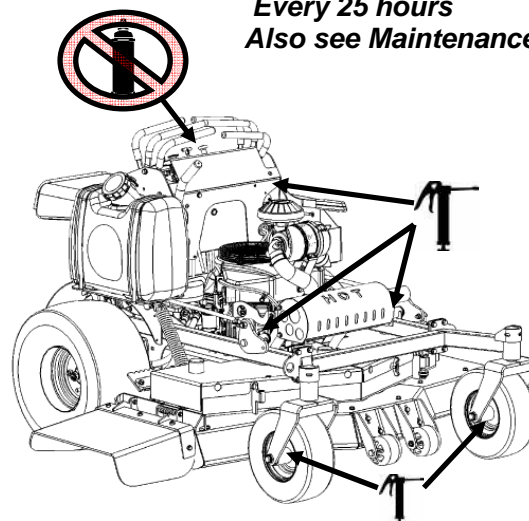
Grease with No. 2 general purpose lithium base or molybdenum base grease.

- Set parking brake, stop the engine and remove the key.
- Clean grease fittings with a rag.
- Connect grease gun to fitting and pump until grease begins to ooze out from the bearings.
- Wipe off excess grease.
- *Do not use spray lube of any kind on choke and/or throttle cables.*

Service intervals: First 8 hours

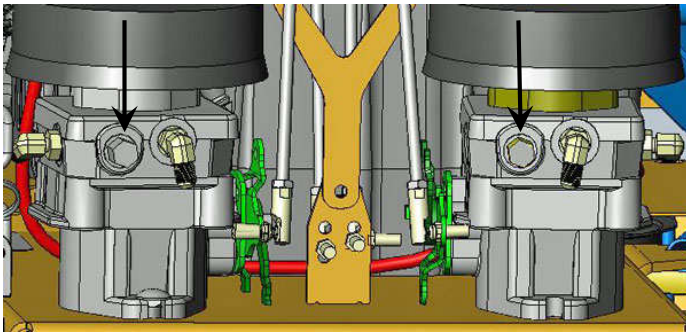
Every 25 hours

Also see Maintenance chart



How to Move the Mower if the Engine Won't Start

Rotate both of the hydro bypass valves on the side of each hydraulic pump about 1/2 turn counterclockwise. It is important not to over tighten these. Damage may occur to the pump if this valve is over tightened.



Bleeding Air from the Hydraulic System

Whenever servicing the hydraulic system, it is of the utmost importance to keep any dirt or debris from getting into the system. Clean off all parts before disassembly and assembly. When any of the hydraulic parts are disconnected or removed or when the oil is changed, air must be bled from the system. If air is entrained in the system, loss of power, excessive heat, and damage to the hydraulic pumps may occur. First, make sure the oil level in the reservoir is correct. The oil should be level with the bottom threads of the oil level port. Use fully synthetic oil: Mobil1 15W-50. With the bypass valves open and the engine running, slowly move the control levers back and forth five or six times. Now close the bypass valves and with the engine running, slowly move the control levers back and forth five or six times. It may be necessary to repeat the above steps until all the air is purged and the rear wheels are turning at normal speed. After purging is complete, adjust the oil level in the reservoir if necessary.

Battery Service

The battery is 12 volts and is a maintenance free battery. Charge the battery only if it will not start the mower properly. Remove the battery from the mower before charging. Follow the instructions of the battery charger for proper and safe charging of the battery.

Cleaning the Mower

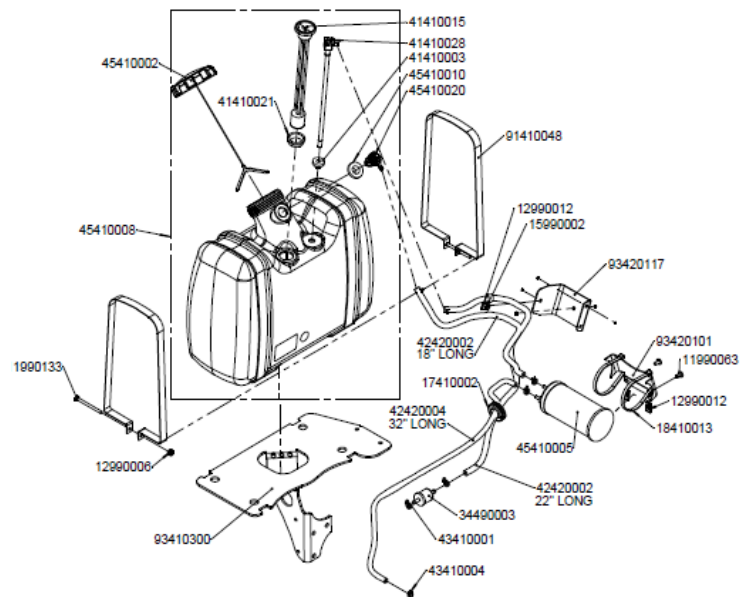
The underside of the mower deck should be checked and cleaned twice daily and more often if the grass being mowed is lush or wet. The entire mower should be cleaned daily at the end of the work day. Cleaning should be done with a leaf blower or low-pressure compressed air. Wash with water only when necessary and do not use a pressure washer or nozzle as the water can enter bearings and electrical connections causing an electrical short, rust and corrosion. When washing with water, avoid spraying near the hydro cap and do so when the unit has cooled down. Washing a hot machine can cause various unseen system damage. If water is used for cleaning, immediately dry it with a leaf

blower or low-pressure compressed air and run with blades engaged for approximately 10 minutes. Once the wash is complete, always lubricate and grease all applicable areas.

Fuel Evaporation System

All Wright Sport X's need to have this mandatory feature.

- Do Not alter or remove.
- Do Not fill past the "Max Fill Level" line shown in Figure below.
- Over-filling could result in clogging the roll-over vent and/or contaminating the purge canister.
- The vapor canister is located under the dash.
- Inspect and clean dust filter every 500 hrs or annually.



Torque Specifications			
Critical Application	Models	Thread Locker	Torque Range (ft-lbs)
Wheel motor bolts (Securing motor to support)	Big/Small Stander, Stander X, Sport X, RH, WSES, Velke	Loctite 2760	40-50
Wheel motor bolts / nuts (Securing motor to support)	ZK, MMZ, Sentar3	N/A	103-125
Clutch to engine shaft	All Models	Loctite	50-55
Wheel hub to wheel motor	Big Stander, Stander X, Sport X (15P)	N/A	138-158
	ZK, MMZ, Sentar3 (15E)		160-240
	All Others (12P)		138-158
Wheel lug nuts	All Models	N/A	80-90
Split Hub (Spindle & Drive) (Gr 8)	All Models	N/A	13-17
Blade Bolts	All Models	N/A	70-80

Spindle and Drive Pulley Split hub R&R

- Remove 2, 1/4" bolts from split hub and install in threaded holes in hub.
- Slowly tighten each bolt, alternating as you tighten bolts against the pulley.
- The hub will separate from the pulley.
- Replace grade 8 bolts and install in reverse order using the assembly holes to tighten hub onto pulley and spindle shaft.



Spindle Set Up / Blade Options
Parts:



Spindle – Thru Bolt
PN - 71460126



Spindle Nut
PN - 12990003



Spindle Blade Spacer
PN – 13990007 / 1 or 3 ea



Spindle Blade Spacer
PN – 13990007 / 3 or 5 ea



Stock Fusion Blade
PN – 71440008 – 16.5"
71440009 – 18"
71440010 – 21"

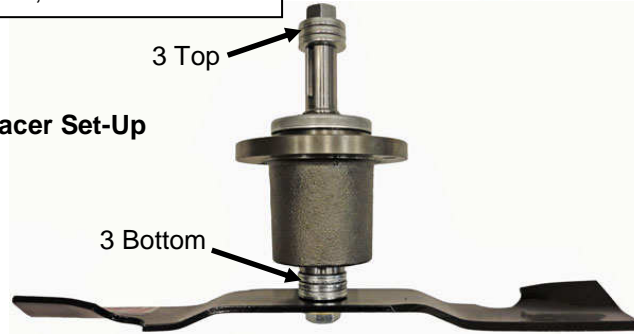


Spindle Washer
PN - 13990039

71440008 - BLADE, FUSION, 1/2" OFFSET 16.5"
 71440009 - BLADE, FUSION, 1/2" OFFSET 18"
 71440010 - BLADE, FUSION, 1/2" OFFSET 21"



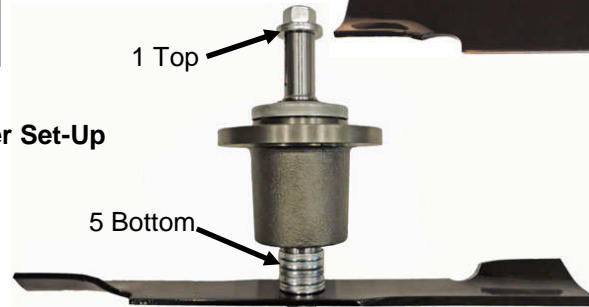
1/4" Blade Spacer Set-Up



71440001 - BLADE 18"
 71440002 - BLADE 16.5"
 71440003 - BLADE 21"



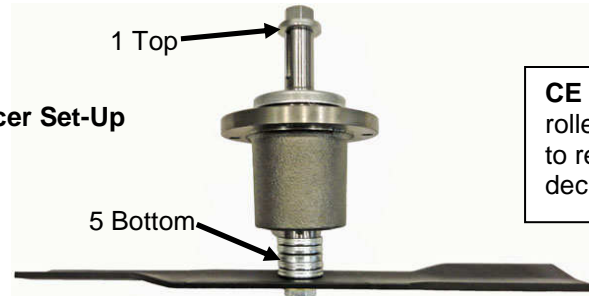
1/4" Blade Spacer Set-Up



71440011 - BLADE, CE ROLLED AIRFOIL LOW LIFT 16.5"
 71440012 - BLADE, CE ROLLED AIRFOIL LOW LIFT 18"
 71440013 - BLADE, CE ROLLED AIRFOIL LOW LIFT 21"



1/4" Blade Spacer Set-Up

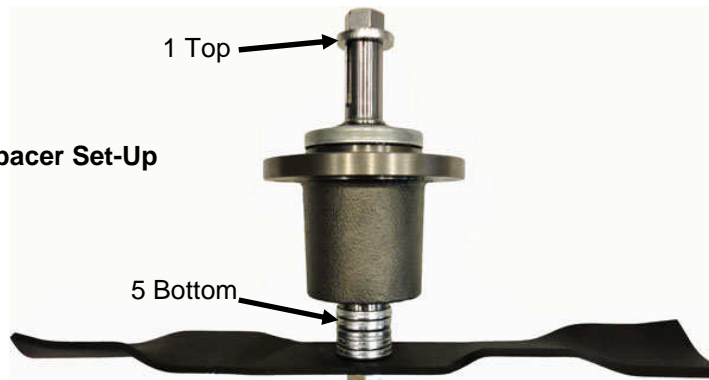


CE - European models only, rolled airfoil low lift allows unit to remain below regulated decibel levels.

71490001 - BLADE, MULCHING 16.5"
 71490002 - BLADE, MULCHING 18"
 71490003 - BLADE, MULCHING 21"



1/4" Blade Spacer Set-Up



Sport X Consumables / Maintenance Items

P/N	Description
13990017	MACH BUSH, 7/8 ID X 1 3/8 OD X 14 GA
13990024	WASHER, NEOPRENE
14990002	HBUSH SMALL
17460005	BUSHING, RUBBER, .75 X 1.125 X .75
17460012	BUMPER, RUBBER, BLACK
17460017	CHUTE DEFLECTOR, RUBBER PC ONLY
18410012	DECK COVER KNOB
33410094	PLATFORM STOP, HOSE, 3/8 X 7/8
34490002	HYDRO OIL FILTER
52410003	SWITCH, OPC , 2 LB INTERNAL SPRING, BLACK
52410007	MODULE - TIME
52420002	THROTTLE CABLE
52420003	SWITCH, BLADE ON/OFF, RED
52460002	CHOKE CONTROL
53490009	SOLENOID
53490019	RELAY, FOR MAIN HARNESS
71410021	PIG TAIL 19" CLUTCH
71440008	BLADE, OFFSET, FUSION 16.5"
71440009	BLADE, OFFSET, FUSION, 18"
71440010	BLADE, OFFSET, FUSION, 21"
71440011	BLADE, CE ROLLED AIRFOIL LOW LIFT 16.5"
71440012	BLADE, CE ROLLED AIRFOIL LOW LIFT, 18"
71440013	BLADE, CE ROLLED AIRFOIL LOW LIFT 21"
71460064	BELT, WRAPPED, B SECTION, 64.04 EL (Drive/Hydro Belt)
71460065	BELT, WRAPPED, B SECTION, 57.04 EL (Blade - Blade, 52")
71460067	BELT, WRAPPED, B SECTION, 66.04 EL (Blade - Blade, 61")
71460070	BELT, WRAPPED, B SECTION, 52.04 EL (Blade - Blade, 48")
71460071	BELT, WRAPPED, B SECTION, 96.04 EL (Eng - Blade, 61")
71460107	BELT, WRAPPED, B SECTION, 84.04 EL (Eng - Blade, 52")
71460123	BELT, WRAPPED, B SECTION, 78.04 EL (Eng - Blade, 48")
71460126	SPINDLE ASSEMBLY, THROUGH BOLT, STANDER
72490001	WHEEL, PLASTIC, ANTI-SCALP
72490002	ANTI SCALP ROLLER
77410008	ROD END, 5/16-24
77410009	ROD END, 5/16-24 LH
98460031	BEARING KIT, CASTER ARM
98460046	CASTER WHEEL BEARING KIT, WITHOUT RACE

Maintenance Interval Chart

MAINTENANCE ITEM	ENGINE ITEMS	SEE NOTE BELOW	FIRST 8 HOURS	DAILY	EVERY 25 HOURS	EVERY 100 HOURS	EVERY 200 HOURS	EVERY 300 HOURS	ANNUALLY
Inspect for cracks in frame, cutter deck or other steel parts		*2	X						X
Inspect all belts for wear and alignment			X		X				X
Check all bolts and nuts for tightness (tighten as necessary)			X	X					X
Check hydraulic oil reservoir level and fill as needed - Use SYNTHETIC oil - Mobil1 15W-50 (refer to Hydro Oil Tank Check & Fill)			X						X
Grease caster wheel bearings, yokes and brake handle pivot			X		X				X
Check tire pressure; Rear tires 18-22 psi			X	X					X
Check Deck Pitch, front blade tip should be 1/4" - 3/8" lower than the rear blade tip (For best accuracy, have operator stand on platform while measuring and adjusting pitch)				X					
Check and clean engine cooling fins with compressed air	Engine	*1				X			X
Replace fuel filter (when clogged)	Engine	*1	X						X
Check engine oil and add as needed	Engine	*1		X					X
Check for fuel or oil leakage - correct as needed	Engine	*1		X					X
Check and clean air intake screen	Engine	*1		X					X
Clean engine blower screen with compressed air	Engine	*1		X					X
Clean mower with compressed air-do NOT use a pressure washer				X					X
Check for loose hardware (e-clips, snap rings, nuts, etc.)				X					X
Check blades for wear and sharpness (sharpen and balance or replace as necessary)				X					X
Clean out debris under blade belt cover				X					X
Scrape clean underside of cutter deck				X					X
Check blade mounting bolts for proper tightness				X					X
Check blade spindle mounting bolts for proper tightness				X					X
Inspect tires, replace as needed					X				X
Inspect and tighten all hydraulic hoses					X				X
Adjust parking brake shoes to firmly stop wheels when engaged					X				X
Clean and re-gap spark plug (replace as necessary)	Engine	*1				X			X
Change engine oil	Engine	*1	X			X			X
Change engine oil filter	Engine	*1					X		X
Replace air cleaner Primary Element	Engine	*1					250hrs		
Replace air cleaner Secondary Element	Engine	*1							500hrs
Replace hydraulic oil filter with Original Wright filter									X
Completely inspect for excessive wear in all parts of mower, including control system (replace worn parts)							X		X
Inspect and replace (if necessary) worn main cutter deck idler pulleys or pulley bearings (if applicable)							X		X
Replace (if necessary) excessively worn caster wheels and roller bearings							X		X
Remove battery and clean battery, battery box and battery cable ends							X		X
Check and adjust valve clearance	Engine	*1						X	
NOTES:									
*1 - Refer to Engine Manufacturers Owners Manual									
*2 - Contact an authorized Dealer immediately if any cracks are found									
The service intervals indicated are to be used as a guide. Service should be performed more frequently as necessary by operating conditions									



76490099 DECAL, SPORT X



76490047 DECAL, SMALL, LEFT DASH



76490048 DECAL, SMALL, RT DASH



76460001 DECAL, DANGER BLADE HAZARD



76490001 DECAL, SHIELD MISSING



76490093 DECAL, DECK HEIGHT SELECTOR



- HEAVY DUTY COMMERCIAL**
- Twin Hydro Pumps
 - Twin Hydro Motors
 - 7 Ga. Fabricated Deck
 - Cast Iron Spindle Housings

76490051 DECAL, COMMERCIAL BENEFITS



76410001 DECAL, ALL LOGOS

DECALS



76490023 DECAL, CIRCLE WITH "W"



76490095 DECAL, FUSION BLADE

48

76490008 DECAL, 48" DECK SIZE

52

76490007 DECAL, 52" DECK SIZE

61

76490012 DECAL, 61" DECK SIZE



76490100 DECAL, AERO-CORE, DECK



76490059 DECAL, AMERICAN FLAG



76490094 DECAL, PATENT NUMBERS



76490082 DECAL, 2" TRIANGLE WARNING, ROTATING BLADES

CE DECALS

European models only



76490055, DECAL, QUAD LEVER, CE



76490028 DECAL, CE DANGER BLADE HAZARD



76490029 DECAL, CE SHIELD MISSING



76490046 DECAL, CE NOISE, 105



76490053 DECAL, PARKING BRAKE



76490058 DECAL, HEARING PROTECTION

122

76490042 DECAL, 122cm DECK SIZE

132

76490043 DECAL, 132cm DECK SIZE

155

76490044 DECAL, 155cm DECK SIZE



76490054 DECAL, CE, SMALL, LEFT DASH

WRIGHT MANUFACTURING, INC. POWER EQUIPMENT LIMITED WARRANTY

THIS WARRANTY SUPERSEDES ALL PREVIOUS ON UNITS WITH A RETAIL SALES DATE ON OR AFTER 04/01/05

Wright Manufacturing, Inc. (hereinafter: WMI) warrants to the original owner that the new WMI mower accompanying this document will be free from manufacturing defects in materials or workmanship subject to the following limitations and exclusions. Any part of the WMI commercial mower manufactured by WMI and found, in the reasonable judgment of WMI, to be defective in materials or workmanship, will be repaired or replaced by an Authorized WMI Service Dealer without charge for parts and (except as excluded below) labor. This Warranty is limited to the original Owner and the mower this document was provided with and is not transferable. Dealer demo units with less than fifty hours when first retailed shall also be covered by this limited warranty. Proofs of Purchase, Authorized Dealer performed Pre-Deliver Service and the First Eight Hour Service will be required by the Authorized WMI Service Dealer to substantiate any warranty claims. All WMI warranty work must be performed by an Authorized WMI Service Dealer and item must be delivered to the dealer prior to the expiration of the warranty period. This Warranty is limited to the following specified periods from the date of the original retail purchase for defects in materials or workmanship and will commence upon the date of original retail purchase. This warranty shall apply only if the warranty registration form has been completed and returned to Wright Manufacturing, Inc. within 14 days from the date of original retail purchase. This warranty includes only the cost of parts and labor (when applicable). This warranty applies only to the replacement of defective or otherwise warrantable WMI OEM parts being replaced with WMI OEM parts.

- All parts and components (except as noted below) – 2 years
- Belts – 90 days
- Battery – 90 days
- Engine – warranty covered by engine manufacturer and handled through the respective Authorized engine Dealers

Exclusions:

Any damage or deterioration due to normal use, wear and tear or exposure
All filters, engine oil, hydraulic oil, tires and tubes
Bent, fractured or broken parts occurring through impact or hard use
Clutch: linings, anti-rotation failure or other failure due to improper replacement installation
Cost of regular maintenance service, parts or adjustments
Worn bearings (other than spindle bearings; see above)
Worn bushings, cotters, clips, pins and retainers
Grease fittings/zerks
Paint, paint fading, cosmetic imperfections and steel surface imperfections
Fabric, cushion and rubber grip wear or damage
Cutting blades, light bulbs, fuses
Damage due to loose pulleys on shafts
Damage due to loose wheel hubs on tapered hydraulic motor shafts
Fire Damage
Abrasion or corrosion wear or damage

Repair Parts Replaced During Original Warranty

All Repair parts (excluding wear or otherwise excluded items) installed during the warranty period are warranted until the end of the respective original period according to the categories above except in the case that the respective original warranty period expires in less than ninety (90) days after the installation of the part(s). If this happens then the parts are warranted for a total of ninety (90) days from the time of their installation.

Rental Use

The above warranty periods are limited to maximum of ninety (90) days for mowers that are used for rental purposes.

The WMI mower, including any defective part, must be returned to an Authorized WMI Service Dealer within the warranty period. The expense of lost production time and delivering the mower to the Authorized WMI Service Dealer for warranty work and the expense of returning it to the Owner after repair will be paid for by the Owner. WMI's responsibility is limited to making the required repairs and no claim of breach of warranty shall be cause for cancellation or rescission of the contract of sale of any WMI mower. This Warranty does not apply to any mower that was delivered to an Owner prior to the Pre-Delivery Service as specified in the Owner's Manual. This Warranty does not apply to any mower that was shipped in a crate to the Owner or delivered to the Owner by non-employees of an Authorized Dealer. For the Owner's protection and a valid Warranty, please note: WMI does not permit Authorized Dealers to make non-face-to-face deliveries of the mower and any who are found doing so are subject to immediate cancellation as Authorized Dealers. This Warranty does not cover any mower that has been subject to misuse, neglect, negligence, burning in any fire, an accident, or that has been operated or maintained in any way contrary to the operating and maintenance instructions as specified in the Owner's Manual. The Warranty does not apply to any damage to the mower that is the result of improper maintenance or to any mower or parts that have not been assembled or installed as specified in the Owner's Manual. The Warranty does not cover any mower that has been altered or modified changing performance or durability. In addition, the Warranty does not extend to repairs made necessary by normal wear, or by the use of parts or accessories which, in the reasonable judgment of WMI, are either incompatible with the WMI mower or adversely affect its operation, performance or durability.

WMI reserves the right to change or improve the design of any mower without assuming any obligation to modify any mower previously manufactured.

All other implied warranties are limited in duration to the two (2) year warranty period or ninety (90) days for mowers used for rental purposes. Accordingly, any such implied warranties including merchantability, fitness for a particular purpose, or otherwise, are disclaimed in their entirety after the expiration of the appropriate two (2) year or ninety (90) day warranty period. WMI's obligation under this Warranty is strictly limited to the repair or replacement of defective parts and WMI does not assume, or authorize anyone to assume for them, any other obligation. Some states do not allow limitations on how long an implied warranty lasts, so the above limitation may not apply.

WMI assumes no responsibility for incidental, consequential or other damages including, but not limited to, expense for gasoline, expense of delivering the mower to an Authorized WMI Service Dealer and expense of returning it to the Owner, damage by fire, mechanic's travel time, telephone charges, rental of a like product during the time warranty repairs are being performed, travel, loss or damage to personal property, loss of revenue, loss of use of the power equipment, loss of time or inconvenience. Some states do not allow the exclusion or limitation of incidental or consequential damages, so the above limitation or exclusion may not apply.

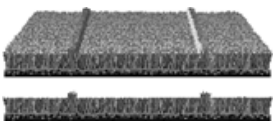
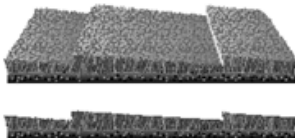
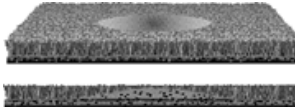

This Warranty gives you specific legal rights, and you may also have other rights which vary from state to state.

This Warranty applies to all WMI mowers sold in the United States of America and Canada.

For the location of the Authorized WMI Service Dealer nearest you or other information, such as, Parts Lists and Owner's Manuals visit our website at: www.wrightmfg.com

Wright Manufacturing, Inc.
4600-X Wedgewood Blvd.
Frederick, MD 21703

Cut Quality and Mowing Tips

Problem	Description	Possible Cause	Solution
Streaking	 <p>Streaking is when strips of uncut grass are left behind.</p>	Blades are not sharp	Sharpen blades
		Blades are worn down too far	Replace blades
		Engine RPM is too low	Mow at full throttle
		GROUND SPEED IS TOO FAST	SLOW DOWN
		Deck is plugged with grass	Clean deck
Stepped Cutting	 <p>Stepped cutting is sharp ridges left in the lawn surface. Stepped cutting is usually caused by deck damage or misadjustment, or blade damage</p>	Deck is not leveled correctly	Level the deck
		Tires are not properly installed/inflated	Check and inflate tires
		Blades are damaged	Replace blades
		Deck shell is damaged	Repair or replace deck
		Spindle is bent or loose	Repair or replace spindle
Blades are installed incorrectly	Reinstall the blades correctly		
Scalping	 <p>Scalping is when the deck comes close to or hits the ground. Scalping can be caused by the deck is misadjusted, unevenness in the lawn, or by deck bounce because ground</p>	Lawn is uneven or bumpy	Roll or level the lawn
		Deck cutting height is set too low	Raise cutting height
		Deck is not leveled correctly	Level the deck
		Tire pressure is uneven	Check and inflate tires
Stringers	 <p>Stringers are sparse patches of uncut grass left behind the mower.</p>	Blades are not sharp or are nicked	Sharpen blades
		Blades are worn down too far	Replace blades
		Engine RPM is too low	Mow at full throttle
		GROUND SPEED IS TOO FAST	SLOW DOWN
		Deck is plugged with grass	Clean deck

Recommended Mowing Heights		
Grass	Minimum Height	Maximum Height
Tall Fescue	1 1/2"	3"
Kentucky Bluegrass	1 1/2"	2 1/2"
Bahia Grass	2"	3"
Bermuda Grass	1/2"	1"
St. Augustine Grass	1"	3"
Zoysia Grass	1/2"	1"

Mowing Tips
Always mow at full throttle
Check deck pitch, front blade tip MUST be 1/4" - 3/8" lower than the back of the blade tip.
Cut 1/3 of the grass blade, cutting more is not recommended unless grass is sparse
Use a slower ground speed when grass is wet and lush or when using a mulch kit.
Clean the under side of the cutter deck after each use. Grass build up WILL eventually effect cut quality.

FEDERAL AND CALIFORNIA EMISSION CONTROL WARRANTY STATEMENT

YOUR WARRANTY RIGHTS AND OBLIGATIONS

The United States Environmental Protection Agency (EPA), California Air Resources Board (CARB) and Wright Manufacturing, Inc. (WMI) are pleased to explain the evaporative emission control system (EECS) warranty on your 2011 commercial mower. In the United States, new equipment that use small off-road engines must be designed, built and equipped to meet the Federal's stringent evaporative emissions standards. In California, new equipment that use small off-road engines must be designed, built and equipped to meet the State's stringent anti-smog standards. WMI must warrant the EECS on your commercial mower for the period of time listed below provided there has been no abuse, neglect or improper maintenance of your equipment.

Your EECS may include parts such as the carburetor, fuel-injection system, the ignition system, catalytic converter, fuel tanks, fuel lines, fuel caps, valves, canisters, filters, vapor hoses, clamps, connectors, and other associated emission-related components.

Where a warrantable condition exists, WMI will repair your commercial mower at no cost to you including diagnosis, parts and labor.

MANUFACTURER'S WARRANTY COVERAGE:

This evaporative emission control system is warranted for two years. If any evaporative emission-related part on your equipment is defective, the part will be repaired or replaced by WMI.

OWNER'S WARRANTY RESPONSIBILITIES:

- As the commercial mower owner, you are responsible for performance of the required maintenance listed in your owner's manual. WMI recommends that you retain all receipts covering maintenance on your commercial mower but WMI cannot deny warranty solely for the lack of receipts.
- As the commercial mower owner, you should however be aware that WMI may deny you warranty coverage if your commercial mower or a part has failed due to abuse, neglect, or improper maintenance or unapproved modifications.
- You are responsible for presenting your commercial mower to WMI's distribution center or service center as soon as the problem exists. The warranty repairs should be completed in a reasonable amount of time, not to exceed 30 days. If you have a question regarding your warranty coverage, you should contact WMI's warranty claims department at (301) 360-9810.

GENERAL EMISSIONS WARRANTY COVERAGE:

WMI warrants to the ultimate purchaser and each subsequent purchaser that the commercial mower is:

Designed, built and equipped so as to conform with all applicable regulations; and

Free from defects in materials and workmanship that cause the failure of a warranted part to be identical in all material respects to that part as described in WMI's application for certification.

The warranty period begins on the date the commercial mower is delivered to an ultimate purchaser or first placed into service. The warranty period is two years.

Subject to certain conditions and exclusions as stated below, the warranty on emission-related parts is as follows:

(1) Any warranted part that is not scheduled for replacement as required maintenance in the written instructions supplied, is warranted for the warranty period stated above. If the part fails during the period of warranty coverage, the part will be repaired or replaced by WMI according to subsection (4) below. Any such part repaired or replaced under warranty will be warranted for the remainder of the period.

(2) Any warranted part that is scheduled only for regular inspection in the written instructions supplied is warranted for the warranty period stated above. Any such part repaired or replaced under warranty will be warranted for the remaining warranty period.

(3) Any warranted part that is scheduled for replacement as required maintenance in the written instructions supplied is warranted for the period of time before the first scheduled replacement date for that part. If the part fails before the first scheduled replacement, the part will be repaired or replaced by WMI according to subsection (4) below. Any such part repaired or replaced under warranty will be warranted for the remainder of the period prior to the first scheduled replacement point for the part.

(4) Repair or replacement of any warranted part under the warranty provisions herein must be performed at a warranty station at no charge to the owner.

(5) Notwithstanding the provisions herein, warranty services or repairs will be provided at all of our distribution centers that are franchised to service the subject engines or equipment.

(6) The commercial mower owner will not be charged for diagnostic labor that is directly associated with diagnosis of a defective, emission-related warranted part, provided that such diagnostic work is performed at a warranty station.

(7) WMI is liable for damages to other engine or equipment components proximately caused by a failure under warranty of any warranted part.

(8) Throughout the commercial mower warranty period stated above, WMI will maintain a supply of warranted parts sufficient to meet the expected demand for such parts.

(9) Any replacement part may be used in the performance of any warranty maintenance or repairs and must be provided without charge to the owner. Such use will not reduce the warranty obligations of WMI.

(10) Add-on or modified parts that are not exempted by the Air Resources Board may not be used. The use of any non-exempted add-on or modified parts by the ultimate purchaser will be grounds for disallowing a warranty claims. WMI will not be liable to warrant failures of warranted parts caused by the use of a non-exempted add-on or modified part.

WARRANTED PARTS:

The repair or replacement of any warranted part otherwise eligible for warranty coverage may be excluded from such warranty coverage if WMI demonstrates that the commercial mower has been abused, neglected, or improperly maintained, and that such abuse, neglect, or improper maintenance was the direct cause of the need for repair or replacement of the part. That notwithstanding, any adjustment of a component that has a factory installed, and properly operating, adjustment limiting device is still eligible for warranty coverage. The following emission warranty parts listed below are covered:

- (1) Fuel Tank
- (2) Fuel Cap
- (3) Fuel Valve
- (4) Fuel Line
- (5) Fuel Line Fittings
- (6) Fuel Line Clamps
- (7) Vapor Hoses
- (8) Carbon Canister
- (9) Carbon Canister Mounting Brackets
- (10) Carburetor Purge Port Connector



4600X Wedgewood Blvd
Frederick, MD 21703
www.wrightmfg.com

Free Manuals Download Website

<http://myh66.com>

<http://usermanuals.us>

<http://www.somanuals.com>

<http://www.4manuals.cc>

<http://www.manual-lib.com>

<http://www.404manual.com>

<http://www.luxmanual.com>

<http://aubethermostatmanual.com>

Golf course search by state

<http://golfingnear.com>

Email search by domain

<http://emailbydomain.com>

Auto manuals search

<http://auto.somanuals.com>

TV manuals search

<http://tv.somanuals.com>