

wright **SENTAR**[®]

Parts List for Sentar
(For Serial Numbers 31423 and Higher Until Superseded)

Replace with newer revisions as they become available



* Heavy Duty air cleaner pictured available only on certain models*

© 2006 Wright Manufacturing, Inc. All rights reserved

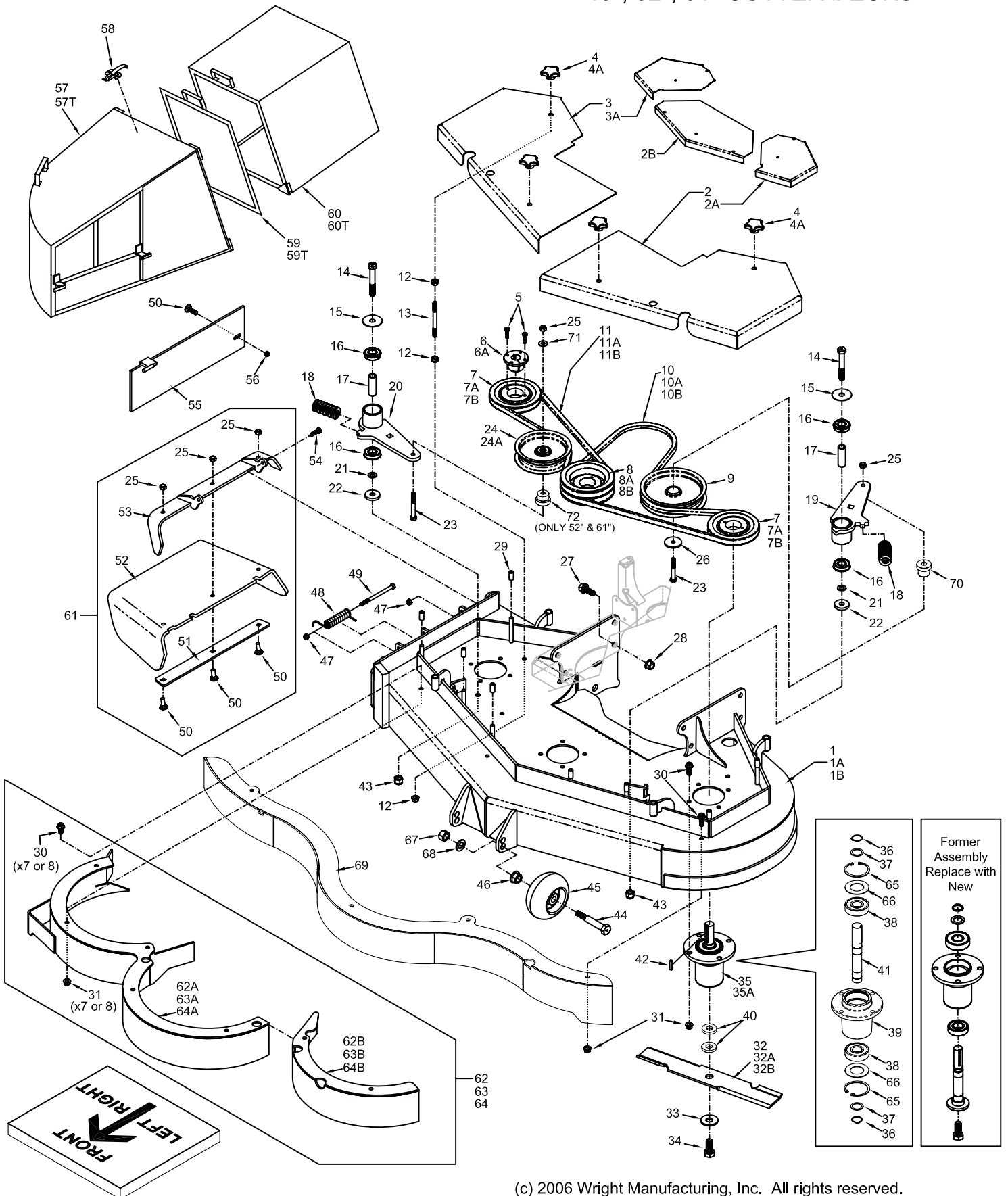
Updated 11/2006

48", 52", 61" CUTTER DECKS

REF. #	DESCRIPTION	48"	52"	61"	PART #
1	48" CUTTER DECK W/ ISOL. CAPS	•			93430018
1A	52" CUTTER DECK W/ ISOL. CAPS		•		93440024
1B	61" CUTTER DECK W/ ISOL. CAPS			•	93450016
2	48"-52" LEFT DECK COVER	•	•		93440026
2A	61", LEFT DECK COVER			•	93450017
2B	61", CENTER DECK COVER			•	93450019
3	48"-52" RIGHT DECK COVER	•	•		93440025
3A	61", RIGHT DECK COVER			•	93450018
4	DECK KNOB	•	•	•	18410006
4A	DECK NUT (CE ONLY)	•	•	•	12990047
5	BOLT, HCS, 1/4-20X1 PLAIN	•	•	•	11990090
6	SPLIT BUSHING FOR 7/8" SHAFT (FORMER)	•	•	•	71460027
6A	SPLIT BUSHING FOR 1" SHAFT (CURRENT SPINDLE)	•	•	•	71460008
7	PULLEY, SINGLE GRV 5.50 OD		•		71460060
7A	PULLEY, SINGLE GRV 6 OD		•		71460053
7B	PULLEY, SINGLE GRV 7 OD			•	71460055
8	PULLEY, DOUBLE GRV 5.50 OD	•			71460061
8A	PULLEY, DOUBLE GRV 6 OD		•		71460054
8B	PULLEY, DOUBLE GRV 7 OD			•	71460056
9	PULLEY, DECK, 48, 52" AND 61" DECK	•	•	•	71460098
10	48" DECK, ENGINE/BLADE BELT	•			71460063
10A	52" DECK, ENGINE/BLADE BELT		•		71460062
10B	61" DECK, ENGINE/BLADE BELT			•	71460013
11	48" DECK, BLADE/BLADE BELT	•			71460070
11A	52" DECK, BLADE/BLADE BELT		•		71460065
11B	61" DECK, BLADE/BLADE BELT			•	71460067
12	NUT, LOCK FLANGE 3/8-24 Z	•	•	•	12990029
13	T-ROD, DECK COVER	•	•	•	24410001
14	BOLT, HCS, 1/2-20X3.5 Z	•	•	•	11990089
15	WASHER, FENDER 5/16 X 1 1/4 Z	•	•	•	13990032
16	BEARING, BALL, FOR IDLER ARM	•	•	•	77410010
17	CIS BEARING BUSHING	•	•	•	25410003
18	SPRING, 2.5" DECK IDLER SPRING	•	•	•	16460009
19	IDLER ARM ASSEMBLY, RIGHT, 7"	•	•	•	98490008
20	IDLER ARM ASSEMBLY, LEFT, 7"	•	•	•	98490007
21	MACH BUSH, 1/2 ID X 7/8 OD X 18 GA	•	•	•	13990015
22	IDLER ARM WASHER	•	•	•	93490009
23	BOLT, HEX 3/8-16 X 2 1/4 Z5	•	•	•	11990068
24	PULLEY, SMALL IDLER, 48" DECK	•			71460009
24A	PULLEY, IDLER, 6.00, 52"-61" DECK	•	•	•	71460098
25	NUT, TOPLOCK 3/8-16	•	•	•	12990031
26	WASHER, FENDER USS 3/8 X 1 1/2	•	•	•	13990038
27	BOLT, FLANGE 1/2-13 X 1 1/4 Z5	•	•	•	11990015
28	NUT, LOCK FLANGE 1/2-13 Z	•	•	•	12990010
29	CAP, VINYL 3/8 X 1	•	•	•	17460002
30	BOLT, FLANGE 3/8-16 X 1 Z8	•	•	•	11990046
31	NUT, TOPLOCK 3/8-16	•	•	•	12990031
32	BLADE, 16 1/2" (FOR 48" DECK)	•	•	•	71440002
32A	BLADE, 18" (FOR 52" DECK)	•	•	•	71440001
32B	BLADE, 21" (FOR 61" DECK)	•	•	•	71440003
33	WASHER, FLAT USS 5/8 Z	•	•	•	13990039
34	BOLT, HEX 5/8-11 X 2 1/2 Z5	•	•	•	11990102
35	SPINDLE	•	•	•	71460092
35A	FORMER SPINDLE-REPLACE WITH #35, 2x#40, #6A & #34	•	•	•	N/A
36	RETAINING RING, EXTERNAL (SMALL)	•	•	•	71460014
37	WASHER, SMALL FOR SPINDLE	•	•	•	71460021
38	BEARING, SPINDLE (LARGE)	•	•	•	71460017
39	SPINDLE HOUSING	•	•	•	71460072
40	BLADE SPACERS	•	•	•	13990007
41	SPINDLE SHAFT	•	•	•	71460073
42	MACHINE KEY 3/16 X 3/16 X 1	•	•	•	15990022
43	NUT, NYLOCK 1/2-20 Z	•	•	•	12990038
44	BOLT, HCS, 5/8-11 X 4 1/2	•	•	•	11990110
45	WHEEL, PLASTIC, ANTI-SCALP	•	•	•	72490001
46	NUT, LOCK FLANGE 5/8-11 Z	•	•	•	12990050
47	NUT, NYLOCK 5/16-18 Z	•	•	•	12990021
48	SPRING, TORSION FOR CHUTE DEFLECTOR	•	•	•	16460002
49	BOLT, HEX 5/16-18 X 4 1/2 Z5	•	•	•	11990003
50	BOLT, CARRIAGE 3/8 X 1 Z5	•	•	•	11990016
51	FLEXIBLE CHUTE DEFLECTOR CLAMP PLATE	•	•	•	93460061
52	CHUTE DEFLECTOR, RUBBER PIECE ONLY	•	•	•	17460007
53	FLEXIBLE CHUTE DEFLECTOR FLANGE WELDMENT	•	•	•	93460060
54	BOLT, HEX 5/16-18 X 1 Z5	•	•	•	11990027
55	MULCHING BLOCK OFF PLATE	•	•	•	93460024
56	NUT, LOCK FLANGE 3/8-16 Z	•	•	•	12990008
57	GRASS GOBBLER FOR WRIGHT (JUMBO), INCL 58,59	•	•	•	WRJ300-3
57T	GRASS GOBBLER TURBO 10 FRONT, INCL 58,59	•	•	•	WRGGT10FRNT
58	LATCH	•	•	•	GGL1-1
59	DOOR (JUMBO SIZE)	•	•	•	GGD4-4
59T	DOOR (TURBO 10)	•	•	•	GGD-T10
60	LEAF GOBBLER	•	•	•	LG1000
60T	GRASS GOBBLER TURBO 10 REAR	•	•	•	WRGGT10REAR
61	CHUTE DEFLECTOR KIT, FLEXIBLE	•	•	•	95460004
62	MULCH KIT, CURVED, 48"	•			95430003
62A	MULCH BAFFLE, CURVED, RIGHT, 48"	•			93430013
62B	MULCH BAFFLE, CURVED, LEFT, 48"	•			93430014
63	MULCH KIT, CURVED, 52"	•	•		95440003
63A	MULCH BAFFLE, CURVED, RIGHT, 52"	•	•		93440013
63B	MULCH BAFFLE, CURVED, LEFT, 52"	•	•		93440014
64	MULCH KIT, CURVED, 61"	•		•	95450003
64A	MULCH BAFFLE, CURVED, RIGHT, 61"	•		•	93450009
64B	MULCH BAFFLE, CURVED, LEFT, 61"	•		•	93450010
65	SPINDLE HOUSING INTERNAL RETAINING RING	•	•	•	71460015
66	LARGE SPINDLE SHEILD	•	•	•	71460016
67	5/8-11 TOPLOCK NUT	•	•	•	12990056
68	5/8 X 1 3/8 FLAT WASHER	•	•	•	13990037
69	DECK BAFFLE KIT, 48", W/ HARDWARE	•			95430005
	DECK BAFFLE KIT, 52", W/ HARDWARE	•			95440006
	DECK BAFFLE KIT, 61", W/ HARDWARE	•			95450005
70	BORE ADAPTER, 30MM X 33.5MM (LEFT IDLER)	•	•	•	22420007
71	WASHER, FLAT USS 5/16 z	•			13990010
	WASHER, FENDER USS 3/8 X 1 1/2	•			13990038
72	BORE ADAPTER, 30MM X 33.5MM (RIGHT IDLER)	•	•	•	22420007

Wright Sentar

48", 52", 61" CUTTER DECKS



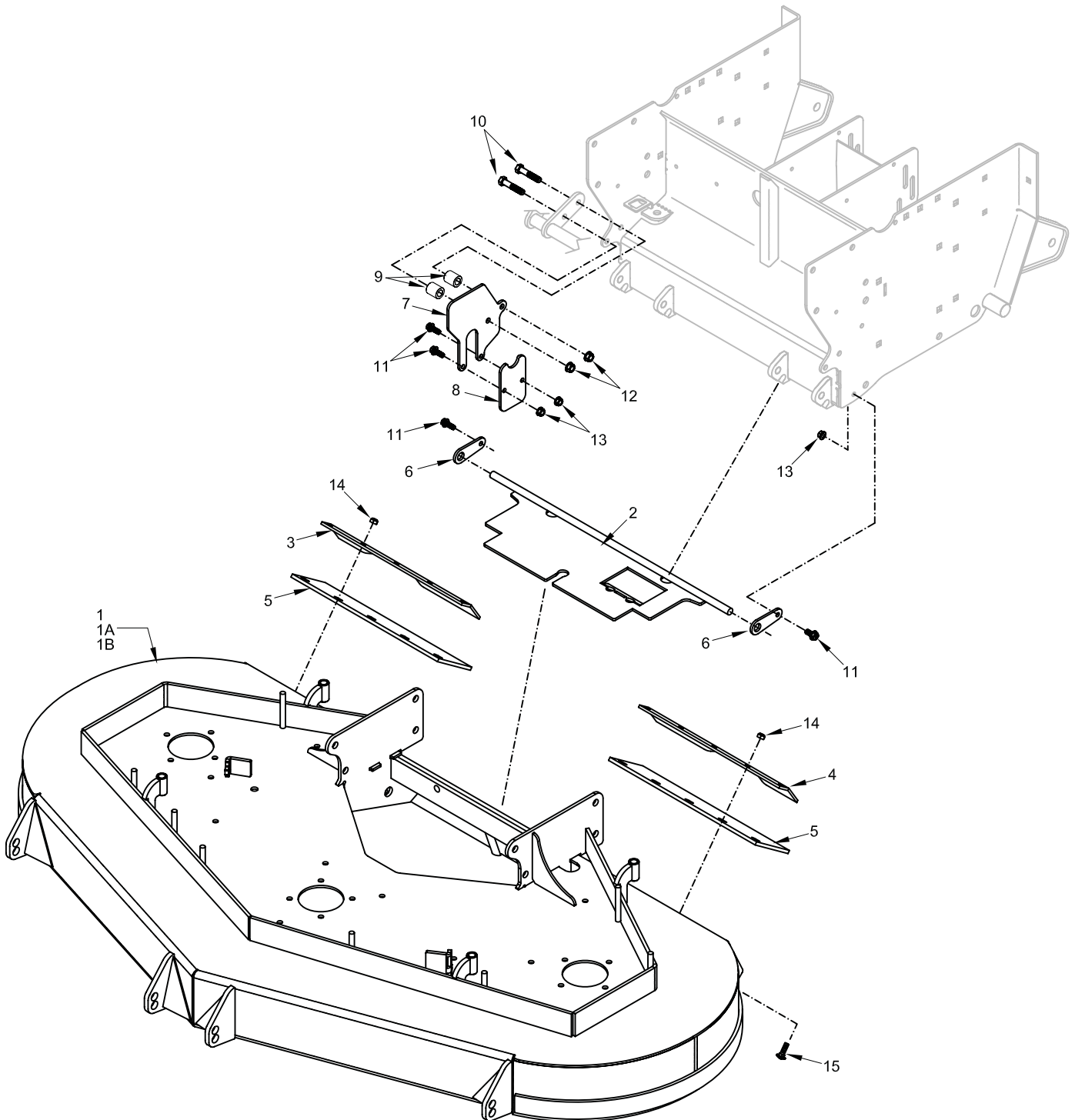
(c) 2006 Wright Manufacturing, Inc. All rights reserved.

REAR DISCHARGE - UNIQUE COMPONENTS

REF. #	DESCRIPTION	PART #
1	CUTTER DECK W/ ISOL CAPS, 61"RD	93450020
1A	CUTTER DECK W/ ISOL CAPS, 52"RD	93440031
2	BAFFLE, RD PIVOTING DEFLECTOR	93490006
3	RUBBER DEFLECTOR CAP STRIP,R, 52"RD	93440032
3A	RUBBER DEFLECTOR CAP STRIP,R, 61"RD	93450021
4	RUBBER DEFLECTOR CAP STRIP,L, 52"RD	93440033
4A	RUBBER DEFLECTOR CAP STRIP,L, 61"RD	93450022
5	BAFFLE, 52" RD RUBBER DEFLECTOR	76440001
5A	BAFFLE, 61" RD RUBBER DEFLECTOR	76450001
6	LOCK PLATE, RD PIVOTING BAFFLE	93410093
7	BAFFLE, RD COCKPIT SIDE (SMALL)	93490008
8	BAFFLE, RD COCKPIT SIDE	93490007
9	FOOT PLATE PIVOT, ZINC PLATE	96410002
10	BOLT, HEX 3/8-16 X 2 Z5	11990005
11	BOLT, FLANGE 5/16 -18 X 3/4 Z5	11990012
12	NUT, LOCK FLANGE 3/8-16 Z	12990008
13	NUT, LOCK FLANGE 5/16-18 Z	12990007
14	NUT, TOPLOCK 5/16-18Z	12990039
15	BOLT, CARRIAGE 5/16-18 X 1 Z5	11990060

Wright Sentar

REAR DISCHARGE - UNIQUE COMPONENTS



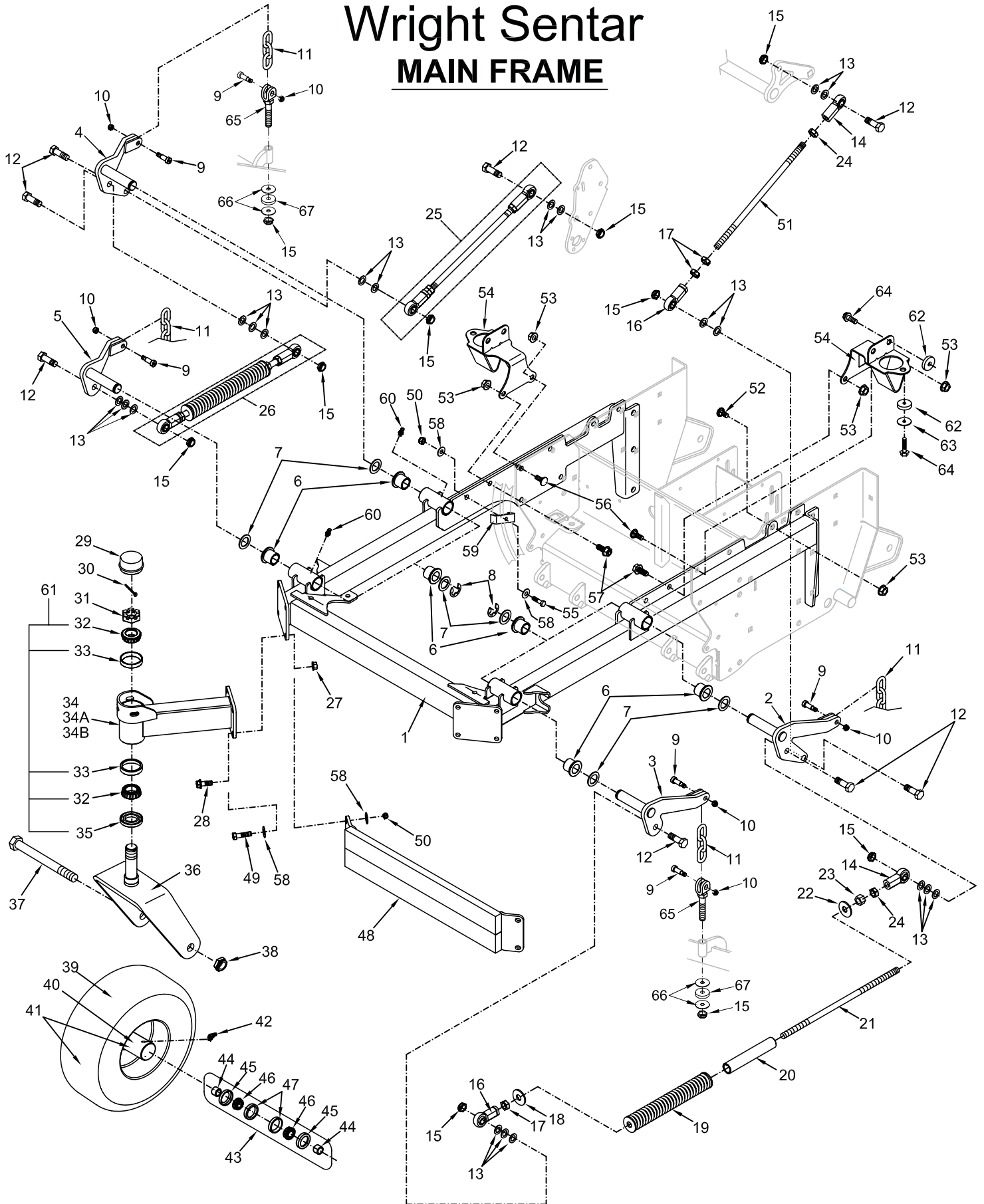
ENGINE DECK COMPONENTS

REF. #	DESCRIPTION	PART #
1	OBTAIN FROM AUTHORIZED KAWASAKI DEALER	51410014
1A	OBTAIN FROM AUTHORIZED KAWASAKI DEALER	51410010
1B	OBTAIN FROM AUTHORIZED KAWASAKI DEALER	51410029
1C	OBTAIN FROM AUTHORIZED KOHLER DEALER	51410013
2	HYDRO PUMP, W/RTN RIGHT	31490009
3	HYDRO PUMP, W/RTN LEFT	31490010
4	CS PUMP LEVER	93410140
5	CS PUMP LEVER	93410140
6	BOLT, CARRIAGE 7/16-14 X 1 1/4 Z5	11990081
7	BOLT, FLANGE 5/16 -18 X 3/4 Z5	11990012
8	WASHER, FLAT USS 5/16 z	13990010
9	NUT, LOCK FLANGE 5/16-18 Z	12990007
10	SCREW, TRUSS HD PH 1/4-20 X 1/2 SS	11990063
11	OIL COOLER COVER WELDMENT	91410019
12	NUT, U 1/4-20	12990012
13	OIL COOLER - STACKED PLATE	36470001
14	OIL COOLER CRADLE WELDMENT	91410018
15	MUFFLER GUARD, SENTAR/KAW	91410012
15A	MUFFLER GUARD, SENTAR/KOHLER	91410016
16	MUFFLER, SPECIAL KAW SENTAR	51410011
16A	OBTAIN FROM AUTHORIZED KOHLER DEALER	N/A
17	BRACKET, MUFFLER, LEFT SIDE 23 HP KAW	51410027
17A	BRACKET, MUFFLER, RIGHT SIDE 23 HP KAW	51410028
18	OBTAIN FROM AUTHORIZED KAWASAKI DEALER	N/A
19	CAP, VINYL 3/8 X 1	17460002
20	SPRING, TORSION	16410003
21	NUT, JAM 1/4-20 Z	12990042
22	O-RING, FOR KAWASAKI OIL DRAIN ADAPT	35410024
23	OIL DRAIN VALVE ADAPTER	35410018
24	OIL DRAIN VALVE	36410003
25	FITTING, MALE BARB 1/2 - 90	36410005
26	TUBE, OIL DRAIN	81410017
27	BOLT, HEX 5/16-24 X 1 1/2 Z5	11990009
28	NUT, LOCK FLANGE 5/16-24 Z	12990011
29	FITTING, MALE BARB 1/2 STRT	36410004
30	NUT, NYLOCK 5/16-18 Z	12990021
31	CLAMP, MUFFLER, 23HP KAW	51410015
31A	CLAMP, MUFFLER, KOHLER	51410025
32	S-PIPE, MUFFLER, KAW	51410012
32A	S-PIPE, MUFFLER, KOHLER 23 HP	51410024
33	MACH BUSH, 1/2 ID X 7/8 OD X 18 GA	13990015
34	NUT, HEX M8-1.25Z	12990041
35	HOSE CLAMP, 1/4	43410001
36	CLIP, HALF 5/8	15990002
37	BOLT, HEX 1/4-20 X 5/8 Z5	11990001
38	BOLT, HCS, 1/2-20X3.5 Z	11990089
39	HOSE, 1/4 FUEL	42420001
40	ENGINE DECK WELDMENT	93410214
41	NUT, NYLOCK 1/4-20 Z	12990019
42	NUT, LOCK FLANGE 7/16-14 Z	12990009
43	VALVE, FUEL 3-WAY	41410006
44	BOLT, HEX 3/8-16 X 2 Z5	11990005
45	HYDRAULIC PUMP BELT	71460064
46	PULLEY, SINGLE GRV 6 OD-A/B	71460053
47	PULLEY, SMALL IDLER, DECK	71460009
48	MACHINE KEY 1/4 X 1/4 X 1	15990003
49	PULLEY, 5-1/4" OD X A/B GRV X 1" ENG, WS	71410012
50	BUSHING SPLIT TAPERED X 17MM	71460042
51	MACHINE KEY 5MM X 5MM X 25MM	15990004
52	BOLT, HEX 1/4-20 X 7/8 GR8 PL	11990082
53	CLUTCH / BRAKE LARGE	71410013
54	SPACER, FOR CLUTCH	71410007
55	WASHER, LOCK 7/16 Z	13990014
56	BOLT, HEX 7/16-20 X 2 3/4 Z5	11990010
57	IDLER ARM ASSEMBLY, RIGHT, 7"	98490008
58	NUT, TOPLOCK 3/8-16	12990031
59	SPRING, 2.5" DECK IDLER SPRING	16460009
60	BEARING, BALL, FOR IDLER ARM	77410010
61	WASHER, FENDER 5/16 X 1 1/4 Z	13990032
62	NUT, NYLOCK 1/2-20 Z	12990038
63	IDLER ARM WASHER	93490009
64	SCREW, ROUND PHL P 1/4-20 X 2 Z	11990025
65	CIS BEARING BUSHING	25410003
66	ONE-PIECE ELECTRIC HARNESS W/ TIME DELAY	53490035
66A	LOWER HARNESS-REPLACE W/ 53490035 & 5241007	N/A
67	HARNESS, ENGINE KAW 17 HP R/E & 23	53490017
68	SOLENOID	53490009
69	CABLE, BATTERY, RED 38" W/ LUG INSUL.	53490010
70	CABLE, BATTERY, RED 3 1/2"	53490012
71	CABLE, BATTERY, BLACK 18 1/2"	53490011
72	WIRE, GROUNDING	53490007
73	WASHER, LOCK 1/4 Z	13990020
74	FUEL FILTER	34490003
75	WATER RESISTANT RELAY	53490019
76	BOLT, FLANGE 5/16 -18 X 1	11990013
77	SPACER, 5/8 X 1/8 X 3/8	93410163
78	BOLT-ON CLUTCH STOP	93410207

MAIN FRAME

REF. #	DESCRIPTION	PART #
1	FRAME ASSEMBLY, SENTAR	98410068
2	LEFT REAR DECK LIFT ARM ASSEMBLY	93460015
3	LEFT FRONT DECK LIFT ARM ASSEMBLY	93460017
4	RIGHT REAR DECK LIFT ARM ASSEMBLY	93460014
5	RIGHT FRONT DECK LIFT ARM ASSEMBLY	93460016
6	PBUSH MEDIUM	14990001
7	MACH BUSH, 7/8 ID X 1 3/8 OD X 14 GA	13990017
8	E-CLIP 7/8	15990010
9	BOLT, SHOULDER ALLEN 3/8 X 3/4	11990043
10	NUT, NYLOCK 5/16-18 Z	12990021
11	CHAIN, PC 1/4 ZINC (3 LINKS)	15990019
12	BOLT, HEX 1/2-20 X 1 1/2 Z5	11990055
13	MACH BUSH, 1/2 ID X 7/8 OD X 18 GA	13990015
14	BEARING, ROD END, 1/2-20 R.H.	77410001
15	NUT, NYLOCK JAM 1/2-20 Z	12990018
16	BEARING, ROD END, 1/2-20 L.H.	77410002
17	NUT, JAM 1/2-20 L-H Z	12990035
18	WASHER, FLAT USS 5/8 Z	13990011
19	SPRING, DECK LIFT	16460003
20	DECK SPRING SPACER TUBE	91460001
21	T-STUD 1/2 - 20 X 14"	24460004
22	WASHER, THRU-HARD 9/16 USS	13990026
23	NUT, LUG 1/2-20	72410001
24	NUT, JAM 1/2-20 R-H Z	12990036
25	DECK LIFT ROD ASSEMBLY	98460023
26	DECK SPRING ASSEMBLY	98460022
27	NUT, LOCK FLANGE 3/8-16 Z	12990008
28	BOLT, FLANGE 3/8-16 X 1 Z8	11990046
29	DUST CAP, SENTAR CASTER ARM	17460003
30	COTTER PIN 1/8 X 2	15990012
31	NUT, CASTLE, JAM-TYPE 1-14 THREAD	12990025
32	TAPERED BEARING FOR SENTAR CASTER ARM	77460002
33	BEARING RACE FOR SENTAR CASTER ARM	77460003
34	CASTER ARM, SENTAR 48" - 52"	93460020
34A	CASTER ARM, SENTAR 61"	93460030
35	SEAL, GREASE, FOR SENTAR CASTER ARM	77460001
36	CASTER YOKE, SENTAR	93460019
37	BOLT, HEX 3/4-10 X 7 1/2 Z5	11990054
38	NUT, NYLOCK JAM 3/4-10 Z	12990026
39	SENTAR CASTER TIRE ONLY	72460005
40	SENTAR CASTER RIM ONLY	72460006
41	WHEEL ASSEMBLY, 13X500-6 PNEUMATIC CASTER	72460004
	WHEEL ASSEMBLY, 13X500-6 NO-FLAT CASTER	72460014
42	HITCH PIN CLIP #3	15990025
43	BEARING KIT FOR 11X400-5 CASTER WHEEL	98460019
44	SPACER, FOR CASTER WHEELS	77460004
45	SEAL, FOR CASTER WHEELS	77460005
46	BEARING, FOR CASTER WHEELS	77460006
47	TAPERED ROLLER BEARING RACE	77460007
48	WEIGHT BAR, SENTAR	93460023
49	BOLT, HEX 3/8-16 X 1 1/2 Z5	11990070
50	NUT, NYLOCK 3/8-16 Z	12990020
51	T-STUD 1/2 - 20 X 12.31"	24460003
52	BOLT, CARRIAGE 7/16-14 X 1 Z5	11990017
53	NUT, LOCK FLANGE 7/16-14 Z	12990009
54	FUEL TANK SUPPORT FRONT, WSE III	93410135
55	BOLT, HEX 3/8-16 X 2 Z5	11990005
56	BOLT, CARRIAGE 7/16-14 X 1 1/4 Z5	11990081
57	BOLT, FLANGE 7/16-14 X 1 Z5	11990064
58	WASHER, FLAT USS 5/16 z	13990010
59	HOSE HOLD CLIP	93410031
60	ZERK, 1/4-28 (GREASE FITTING)	15990006
61	BEARING KIT, SENTAR CASTER ARM	98460031
62	WASHER, RUBBER, FOR OPC	13990005
63	WASHER, FENDER 5/16 X 1 1/4 Z	13990004
64	BOLT, FLANGE 5/16 -18 X 3/4 Z5	11990012
65	U-BRACKET BOLT WELDMENT	91460003
66	WASHER, FLAT USS 7/16 Z	13990002
67	WASHER, NEOPRENE 1/2" X 1 3/8" X 1/4"	13990024

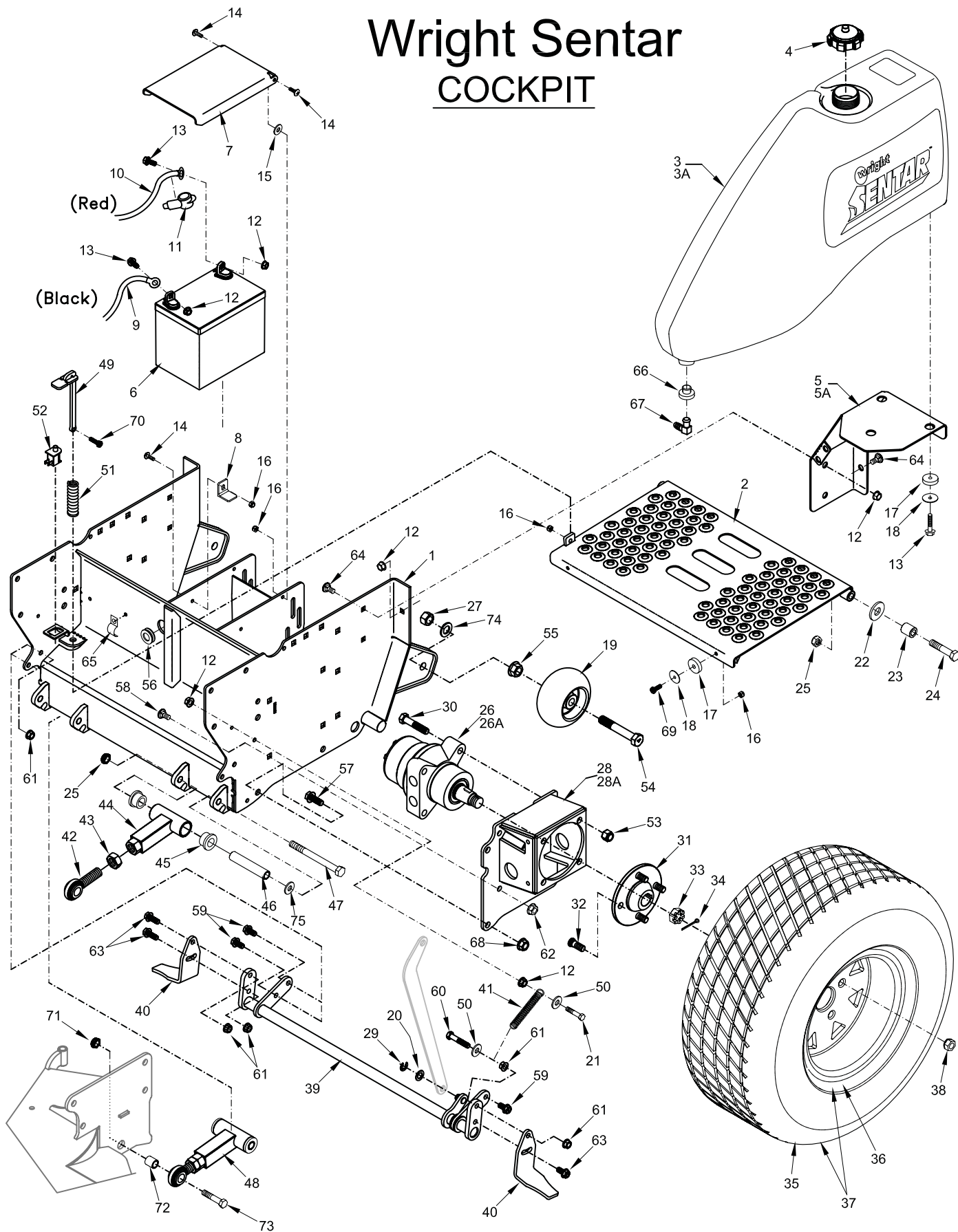
Wright Sentar MAIN FRAME



COCKPIT

REF. #	DESCRIPTION	PART #
1	TRACTOR BODY	93410134
2	FOOT PLATFORM	93410053
3	FUEL TANK, LEFT SIDE	41410008
3A	FUEL TANK, RIGHT SIDE	41410009
4	FUEL TANK CAP W/ ADV VENT	41410002
5	LEFT REAR FUEL TANK BRACKET	93410049
5A	RIGHT REAR FUEL TANK BRACKET	93410050
6	OBTAIN FROM LOCAL OUTDOOR BATTERY SUPPLIER	N/A
7	BATTERY COVER	93410052
8	BATTERY HOLD DOWN	91410005
9	CABLE, BATTERY, BLACK 18 1/2"	53490011
10	CABLE, BATTERY, RED 38" W/ LUG INSUL.	53490010
11	LUG INSULATOR, RED	56410006
12	NUT, LOCK FLANGE 5/16-18 Z	12990007
13	BOLT, FLANGE 5/16 -18 X 3/4 Z5	11990012
14	SCREW, TRUSS HD MACH 1/4-20 X 3/4 SS	11990024
15	WASHER, FLAT 1/4 Z	13990009
16	NUT, NYLOCK 1/4-20 Z	12990019
17	WASHER, RUBBER, FOR OPC	13990005
18	WASHER, FENDER 5/16 X 1 1/4 Z	13990004
19	WHEEL, PLASTIC, ANTI-SCALP	72490001
20	MACH BUSH, 1/2 ID X 7/8 OD X 18 GA	13990015
21	BOLT, SHLDR ALLEN 5/8 X 2 3/4 - ROLLERS	11990022
22	WASHER, FLAT USS 7/16 Z	13990002
23	FOOT PLATE PIVOT, ZINC PLATE	96410002
24	BOLT, HEX 1/2-20 X 2 1/4 Z5	11990011
25	NUT, NYLOCK JAM 1/2-20 Z	12990018
26	HYDRO MOTOR, RIGHT (CW), W/ WOODRUFF KEY	32410005
26A	HYDRO MOTOR, LEFT (CCW), W/ WOODRUFF KEY	32410006
27	5/8-11 TOPLOCK NUT	12990056
28	WHEEL MOTOR SUPPORT LEFT	92410001
28A	WHEEL MOTOR SUPPORT RIGHT	92410002
29	E-CLIP 1/2	15990009
30	BOLT, HEX 1/2-20 X 2 1/2 Z8	11990080
31	WHEEL HUB	72410018
32	STUD FOR TAPERED HUB	72410013
33	NUT, CASTLE FOR WHEEL MOTOR	31490008
34	COTTER PIN 1/8 X 2	15990012
35	TIRE ONLY - 23X950-12	72410015
36	RIM ONLY - 23X950-12	72410016
37	WHEEL ASSEMBLY, 23X950-12	72410014
38	NUT, LUG 1/2-20	72410001
39	LATERAL LINK BRAKE BAR	93420046
40	BRAKE SHOE	93410041
41	SPRING, EXT, FOR REVERSE	16410009
42	BEARING, ROD END, 3/4-16 R.H.	77410003
43	NUT, JAM 3/4-16 Z	12990037
44	DECK LINK (NOT AVAIL. SEPARATELY, SEE 48)	93460068
45	BUSHING, RUBBER, PUSH ARM	17460005
46	3/4 X 1/2 X 4 SPANNER	VKSPNNR
47	BOLT, HEX 1/2-20 X 5 1/2 Z5	11990057
48	DECK LINK T-BAR ASSEMBLY	98410112
49	OPC ACTUATOR WELDMENT	93410137
50	WASHER, FLAT USS 5/16 z	13990010
51	SPRING, LRG COMPRESSION	16410002
52	SWITCH, OPC, BLACK	52410003
53	NUT, NYLOCK 1/2-20 Z	12990038
54	BOLT, HCS, 5/8-11 X 4 1/2	11990110
55	NUT, LOCK FLANGE 5/8-11 Z	12990050
56	HITCH PIN CLIP #213	15990007
57	BOLT, FLANGE 1/2-13 X 1 1/4 Z5	11990015
58	BOLT, CARRIAGE 7/16-14 X 1 Z5	11990017
59	BOLT, FLANGE 3/8-16 X 1 Z8	11990046
60	BOLT, HEX 3/8-16 X 2 Z5	11990005
61	NUT, LOCK FLANGE 3/8-16 Z	12990008
62	NUT, LOCK FLANGE 7/16-14 Z	12990009
63	BOLT, FLANGE 3/8-16 X 3/4 Z5	11990030
64	BOLT, CARRIAGE 5/16-18 X 1 Z5	11990060
65	CLIP, HALF 5/8	15990002
66	FUEL PORT GROMMET	41410003
67	90 DEGREE FUEL PORT	41410007
68	NUT, LOCK FLANGE 1/2-13 Z	12990010
69	BOLT, HEX 1/4-20 X 5/8 Z5	11990001
70	BOLT, HEX 1/4-20 X 1 Z5	11990069
71	NUT, NYLOCK JAM 3/4-10 Z	12990026
72	DECK SPACER FOR T-BAR	93410161
73	BOLT, HEX 3/4-10 X 2 1/4 Z5	11990053
74	5/8 X 1 3/8 FLAT WASHER	13990037
75	MACH BUSH, 3/4 ID X 1 1/4 OD X 14 GA	13990019

Wright Sentar COCKPIT

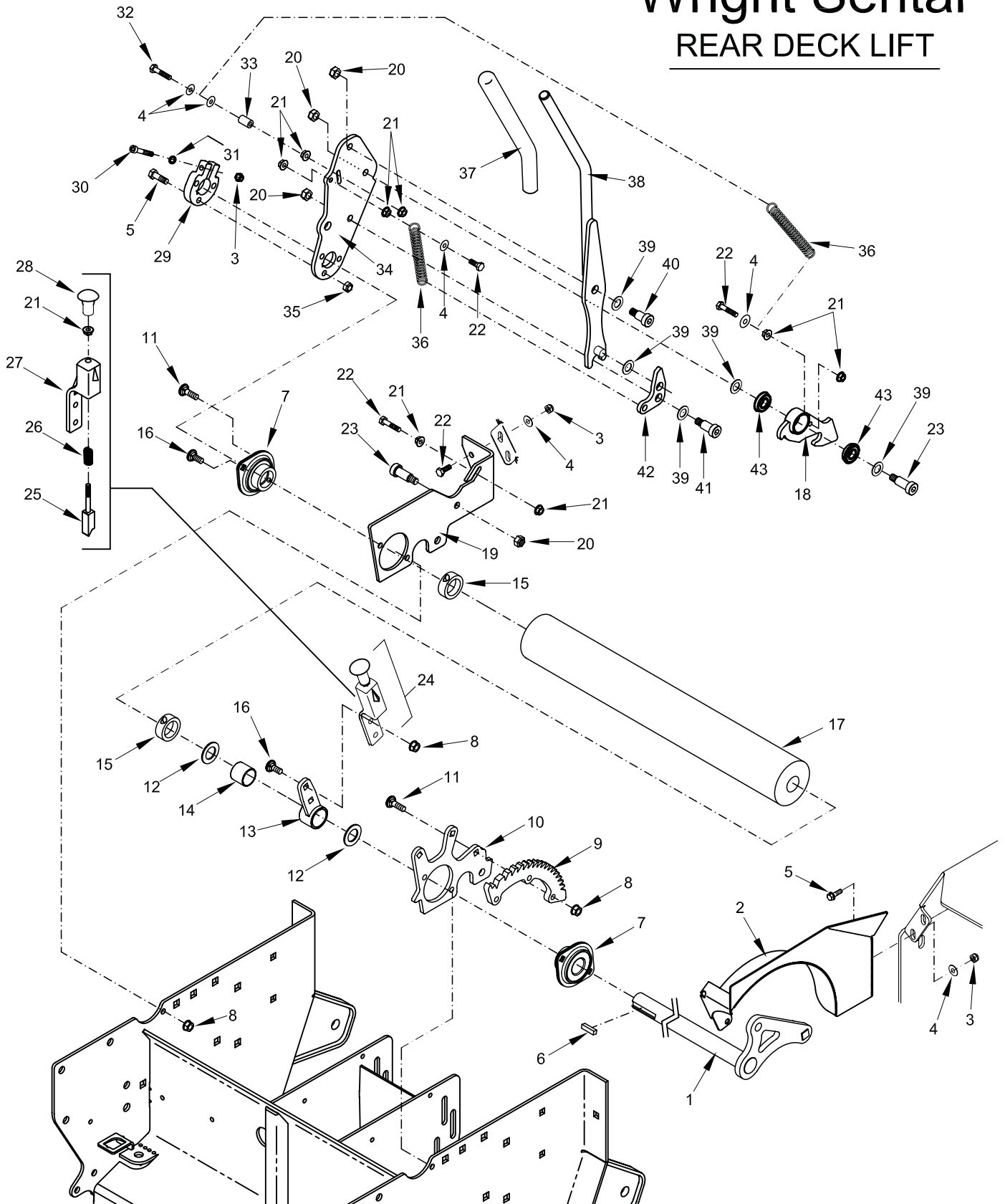


REAR DECK LIFT

REF. #	DESCRIPTION	PART #
1	DECK LIFT AXLE WELDMENT	93460011
2	SELECTOR SHIELD	93460013
3	NUT, NYLOCK 1/4-20 Z	12990019
4	WASHER, FLAT 1/4 Z	13990009
5	BOLT, HEX 5/16-18X1 1/4 Z5	11990065
6	MACHINE KEY 1/4 X 1/4 X 1	15990003
7	BEARING, STAMPED STEEL 2-BLT FLANGE 1"	77410004
8	NUT, LOCK FLANGE 5/16-18	12990007
9	DECK LIFT COG - PLATED	96460002
10	COG SUPPORT	93460009
11	BOLT, CARRIAGE 5/16-18 X 1 Z5	11990060
12	MACH BUSH 1 X 1 1/2 X 14 GA	13990027
13	SELECTOR PIVOT ASSEMBLY	98410069
14	BUSHING NYLINER FOR DECK LIFT ROD	77410005
15	COLLAR SHAFT 1" 1-PC SPLIT	15990017
16	BOLT, CARRIAGE 5/16-18 X 3/4 Z5	11990059
17	FOAM TUBE FOR RIDER DECK CROSS BAR	17420007
18	DECK LIFT LATCH WELDMENT	98460020
19	DECK LIFT AXLE SUPPORT, RIGHT	93460010
20	NUT, TOPLOCK 3/8-16	12990031
21	NUT, LOCK FLANGE 1/4-20 Z	12990006
22	BOLT, HEX 1/4-20 X 1 Z5	11990069
23	BOLT, SHLDR ALLN 1/2 X 1	11990061
24	RAPID-HITE SELECTOR ASSEMBLY	93460042
25	STOP BLOCK PIN WELDMENT	96410003
26	SPRING, EXTENSION	16410005
27	DECK LEVEL STOP BRACKET	96460001
28	KNOB, ROUND, DECK LIFT ADJUSTMENT	18410004
29	DECK LIFT SHAFT CLAMP	93460022
30	BOLT, ALLEN 1/4-20 X 2	11990019
31	WASHER, LOCK 1/4 Z	13990020
32	BOLT, HEX 1/4-20 X 1 1/2 Z5	11990045
33	HOSE, 1/4 FUEL	42420001
34	DECK LEVEL LIFT PLATE	93460034
35	NUT, TOPLOCK 5/16-18Z	12990039
36	SPRING, EXTENSION, 2"	16410008
37	GRIP, HANDLE BAR, 625 X 11 X .090	17420004
38	DECK LIFT HANDLE	93460036
39	MACH BUSH, 1/2 ID X 7/8 OD X 18 GA	13990015
40	BOLT, SHLDR ALLEN 1/2 X 3/8	11990075
41	BOLT, SHLDR ALLEN 1/2 X 5/8	11990076
42	DECK LATCH LOCK	93460041
43	BEARING, BALL SEALED W/ SNAP RING	77410006

Wright Sentar

REAR DECK LIFT

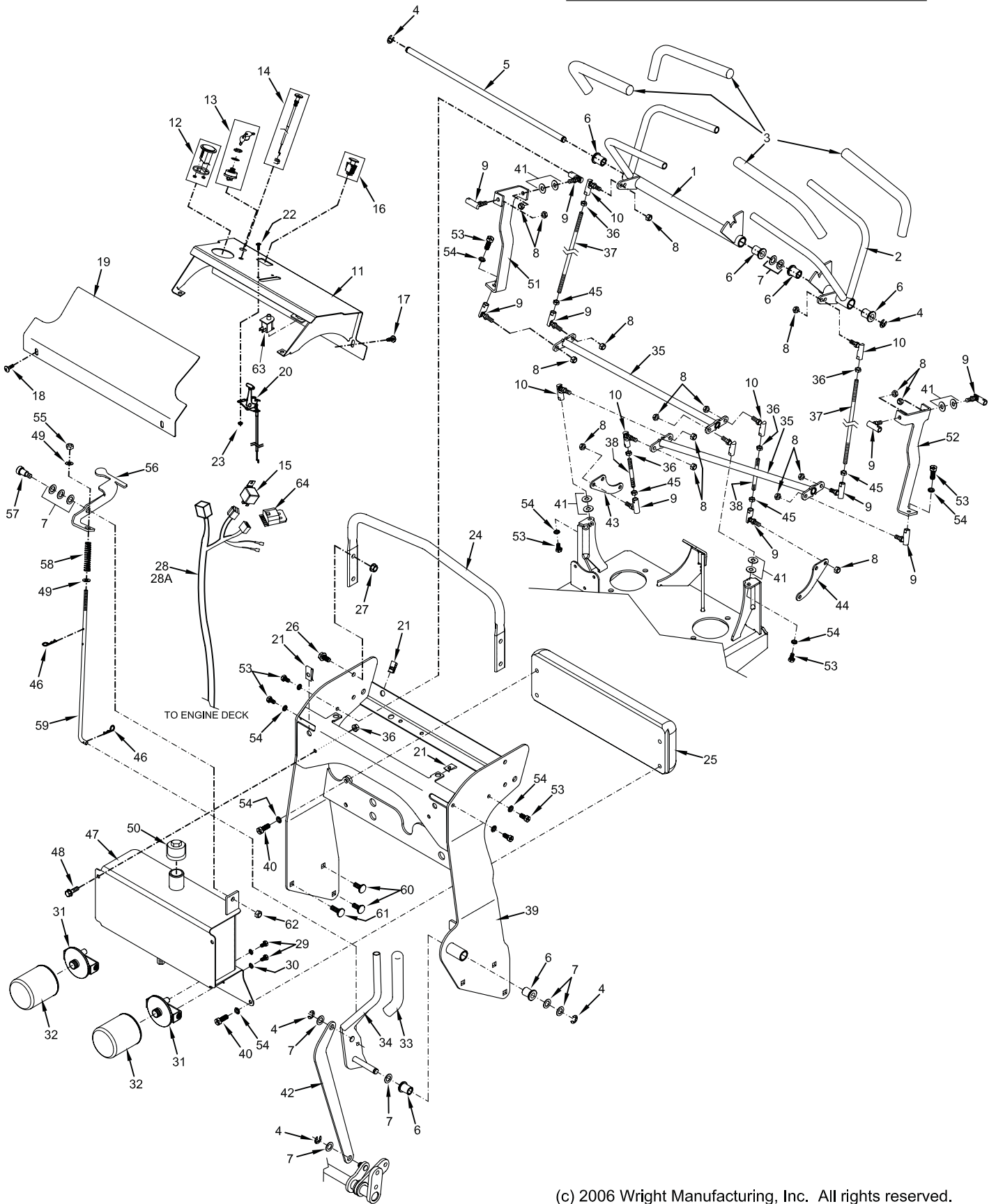


(c) 2006 Wright Manufacturing, Inc. All rights reserved.

UPRIGHT ASSEMBLY

REF. #	DESCRIPTION	PART #
1	CONTROL LEVER ASSEMBLY-RIGHT	98420049
2	CONTROL LEVER ASSEMBLY-LEFT	98420048
3	GRIP, HANDLE BAR .625 X 11 X .090	17420004
4	E-CLIP 1/2	15990009
5	GROOVE PIN, 1/2 X 19.9375	22420002
6	HBUSH SHORT	14990004
7	MACH BUSH, 1/2 ID X 7/8 OD X 18 GA	13990015
8	NUT, NYLOCK, 5/16-24 Z	12990051
9	ROD END, BALL JOINT - RIGHT HAND THREAD	77410008
10	ROD END, BALL JOINT - LEFT HAND THREAD	77410009
11	INSTRUMENT PANEL WELDMENT	93420012
12	HOUR METER	54420001
13	IGNITION SWITCH, FOR ELECTRIC START	20420002
14	CHOKE CONTROL, B&S & KAW	52460002
15	WATER-RESISTANT RELAY	53490019
16	SWITCH, BLADE ON/OFF, RED	52420003
17	SCREW, TRUSS HD PH 1/4-20 X 1/2 SS	11990063
18	SCREW, TRUSS HD MACH 1/4-20 X 3/4 SS	11990024
19	INSTRUMENT PANEL COVER	93420013
20	THROTTLE CABLE	52420002
21	NUT, U 1/4-20	12990012
22	SCREW, TRUSS HD MACH 10-32 X 1/2	11990023
23	NUT, KEP 10-32 Z	12990015
24	STATIONARY HANDLEBAR	93420007
25	KNEE PAD	98420026
26	BOLT, FLANGE 3/8-16 X 3/4 Z5	11990030
27	NUT, LOCK FLANGE 3/8-16 Z	12990008
28	ONE-PIECE ELECTRIC HARNESS	53490035
28A	UPPER HARNESS, REPLACE W/ 53490035 & 5241007	N/A
29	BOLT, HEX 1/4-20 X 5/8 Z5	11990001
30	WASHER, LOCK 1/4 Z	13990020
31	HYDRO OIL FILTER HOUSING BLOCK	34490001
32	HYDRO OIL FILTER	34490002
33	GRIP, HANDLE BAR .625 X 11 X .090	17420004
34	BRAKE LEVER ASSEMBLY	93420047
35	TORSION ROD WELDMENT	98420050
36	NUT, LH JAM 5/16-24 Z	12990052
37	T-ROD, 5/16-24 X 2.5 R/L - 10.000	24420018
38	T-ROD, 5/16-24 X 1.5 R/L - 3.0	24420017
39	UPRIGHT FRAME ASSM W/ BUSHINGS	98420051
40	BOLT, HEX 5/16-18 X 1 Z5	11990027
41	WASHER, FLAT 1/4 Z	13990009
42	BRAKE PULL BAR	93410138
43	CS PUMP LEVER	93410140
44	CS PUMP LEVER	93410140
45	NUT, JAM, HEX 5/16-24 Z	12990053
46	HITCH PIN CLIP #213	15990007
47	HYDRO TANK	91420006
48	BOLT, FLANGE 5/16 -18 X 3/4 Z5	11990012
49	WASHER, FLAT USS 5/16 z	13990010
50	HYDRAULIC TANK CAP	91420001
51	CS HINGE, RIGHT	93420049
52	CS HINGE, LEFT	93420048
53	BOLT, HEX, 5/16-24 X 3/4 Z5	11990092
54	WASHER, LOCK 5/16 Z	13990013
55	NUT, NYLOCK 5/16-18 Z	12990021
56	CONTROL LOCK	93420025
57	BOLT, SHLDR ALLEN 1/2 X 3/8	11990075
58	SPRING, LRG COMPRESSION	16410002
59	T-ROD, 5/16-18 X 15 SPECIAL	24420001
60	BOLT, CARRIAGE 7/16-14 X 1 Z5	11990017
61	BOLT, CARRIAGE 7/16-14 X 1 1/4 Z5	11990081
62	NUT, TOPLOCK 3/8-16	12990031
63	SWITCH, OPC, BLACK	52410003
64	PTO CLUTCH TIME-DELAY MODULE	52410007

Wright Sentar UPRIGHT ASSEMBLY



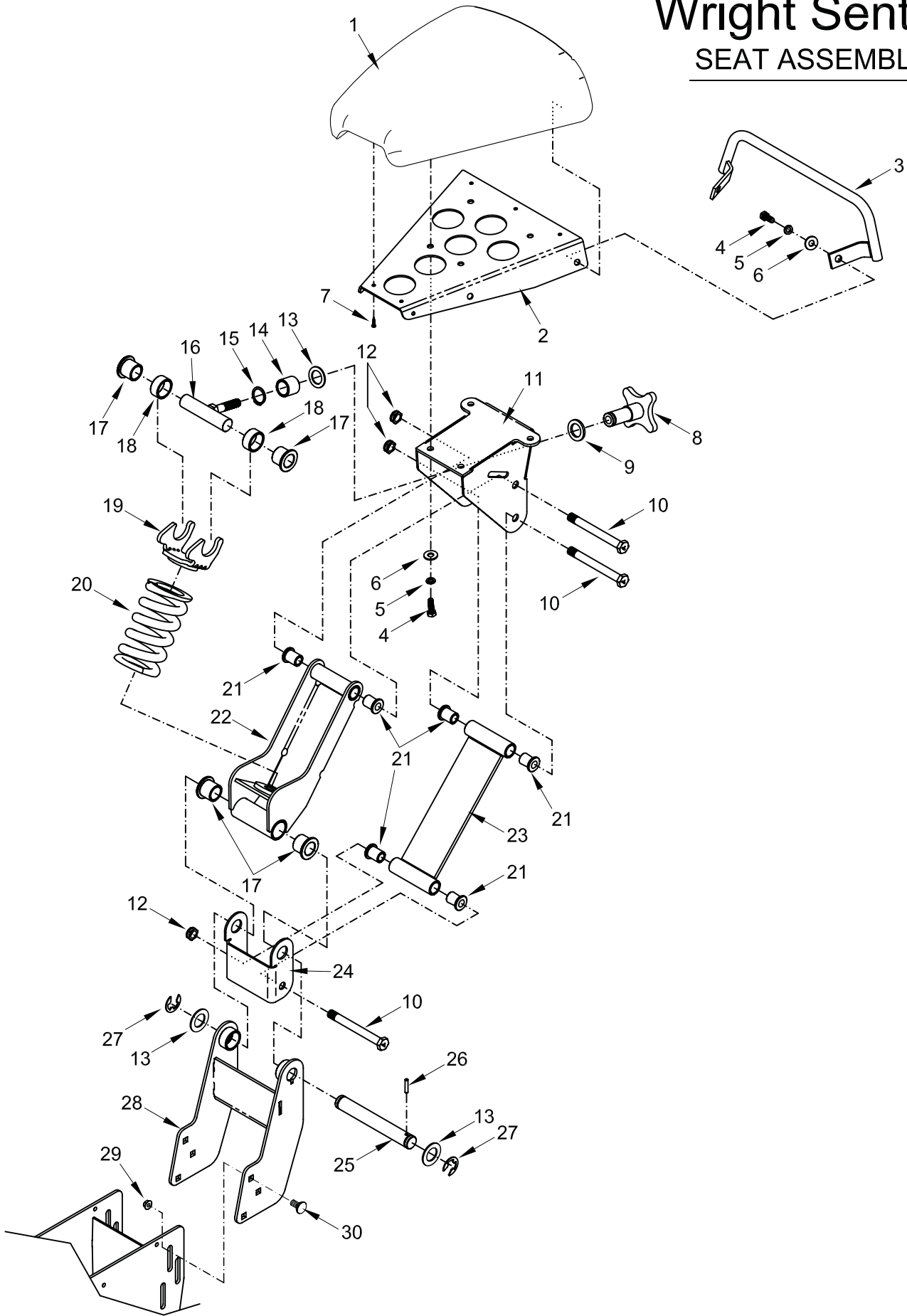
(c) 2006 Wright Manufacturing, Inc. All rights reserved.

SEAT ASSEMBLY

REF. #	DESCRIPTION	PART #
1	SEAT CUSHION, INCLUDES 2,4,7	98410103
2	SEAT SUPPORT PLATE	93410139
3	SEAT GUARD	91410009
4	BOLT, HEX 5/16-18 X 1 Z5	11990027
5	WASHER, LOCK 5/16 Z	13990013
6	WASHER, FLAT USS 5/16 z	13990010
7	SCREW, PH PAN SMS #8 X 1/2 Z	11990073
8	SEAT ADJUSTMENT KNOB	91410010
9	MACH BUSH 7/8 X 1 3/8 X 10 GA	MEDAL37-02
10	BOLT, HEX 1/2-20 X CUSTOM	BOLT1/2-20-AXLE
11	SEAT UPPER WELDMENT	93410058
12	NUT, NYLOCK JAM 1/2-20 Z	12990018
13	MACH BUSH, 7/8 ID X 1 3/8 OD X 14 GA	13990017
14	NUT SLEEVE, SEAT	25410001
15	SNAP RING	15990028
16	SEAT ADJUSTER ASSEMBLY W/ BUSHINGS	98410070
17	PBUSH MEDIUM	14990001
18	SEAT ADJUSTMENT ROLLER	93410072
19	SEAT UPPER SPRING SUPPORT	93410063
20	SEAT SPRING	16410010
21	HBUSH SMALL	14990002
22	SEAT UPPER PARALLEL ARM	93410059
23	SEAT LOWER PARALLEL ARM	93410060
24	SEAT MAIN PIVOT BRACKET	93410061
25	GROOVE PIN, SEAT BASE	22410003
26	PIN, SPRING 3/16 X 1	15990027
27	E-CLIP 7/8	15990010
28	SEAT LOWER WELDMENT	93410062
29	NUT, LOCK FLANGE 3/8-16 Z	12990008
30	BOLT, CARRIAGE 3/8 X 1 Z5	11990016

Wright Sentar

SEAT ASSEMBLY

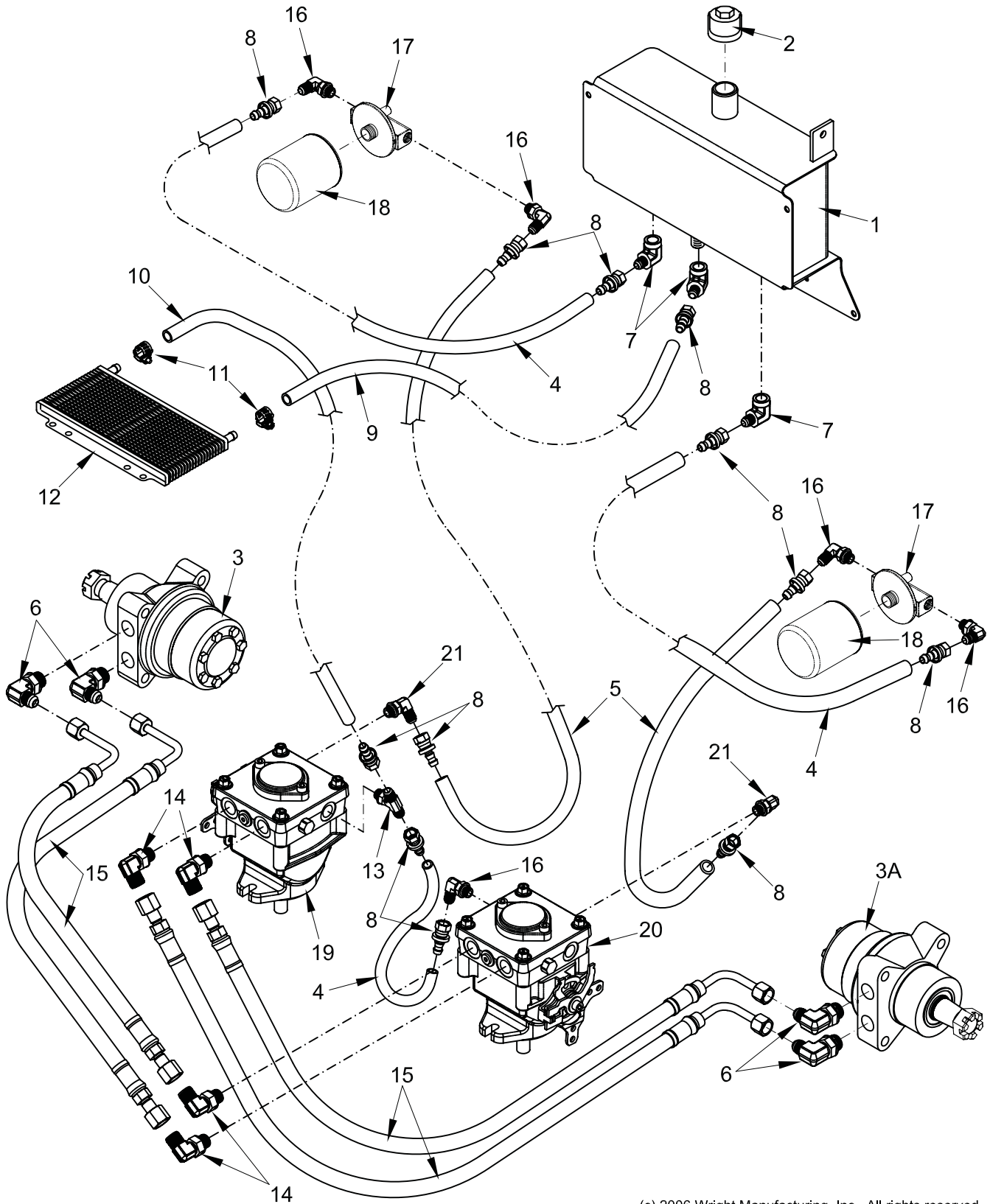


HYDRAULIC PARTS

REF. #	DESCRIPTION	PART #
1	HYDRO TANK	91420006
2	HYDRAULIC TANK CAP	91420001
3	HYDRO MOTOR, RIGHT (CW)	32410005
3A	HYDRO MOTOR, LEFT (CCW)	32410006
4	HOSE, HYDRO LOW, TNK-FLTR, INCL. #8x2	33410053
5	HOSE, HYDRO LOW, FLTR-PUMP, INCL. #8x2	33410054
6	ELBOW, STRGHT THRD ORING 1/2 X 5/8	35410008
7	FITTING, 3/8 FPIPE X 3/8 MALE JIC ELBOW	35410026
8	FITTING, BARBTITE FEMALE	35410012
9	HOSE, HYDRO LOW, SP, TNK-CLR, INCL. #8	33410055
10	HOSE, HYDRO LOW, SP, TNK-FLTR, INCL. #8	33410056
11	HOSE CLAMP, COOLER	43410002
12	OIL COOLER - STACKED PLATE	36470001
13	TEE	35410042
14	ELBOW	35410041
15	HOSE, HYDRO HIGH PRESS	33410057
16	ELBOW, STRGHT THRD ORING 3/8 X 3/8 JIC	35410007
17	HYDRO OIL FILTER HOUSING BLOCK	34490001
18	HYDRO OIL FILTER	34490002
19	HYDRO PUMP, W/RTN RIGHT	31490009
20	HYDRO PUMP, W/RTN LEFT	31490010
21	ELBOW, 1/2" STRAIGHT THRD ORING X 3/8 JIC	35410034

Wright Sentar

HYDRAULIC PARTS

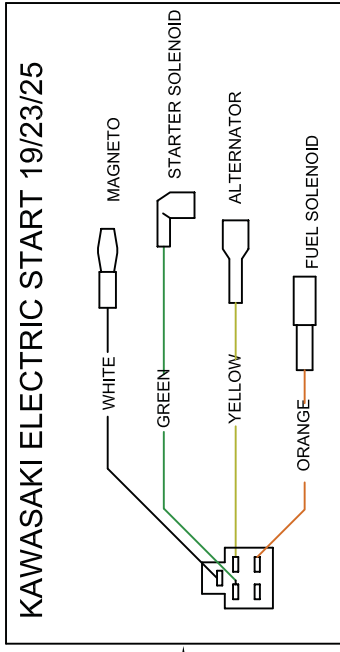
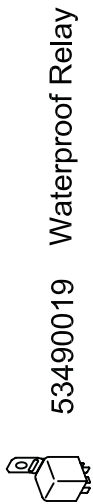


(c) 2006 Wright Manufacturing, Inc. All rights reserved.

Wright Sentar

ELECTRIC START WIRE HARNESSSES

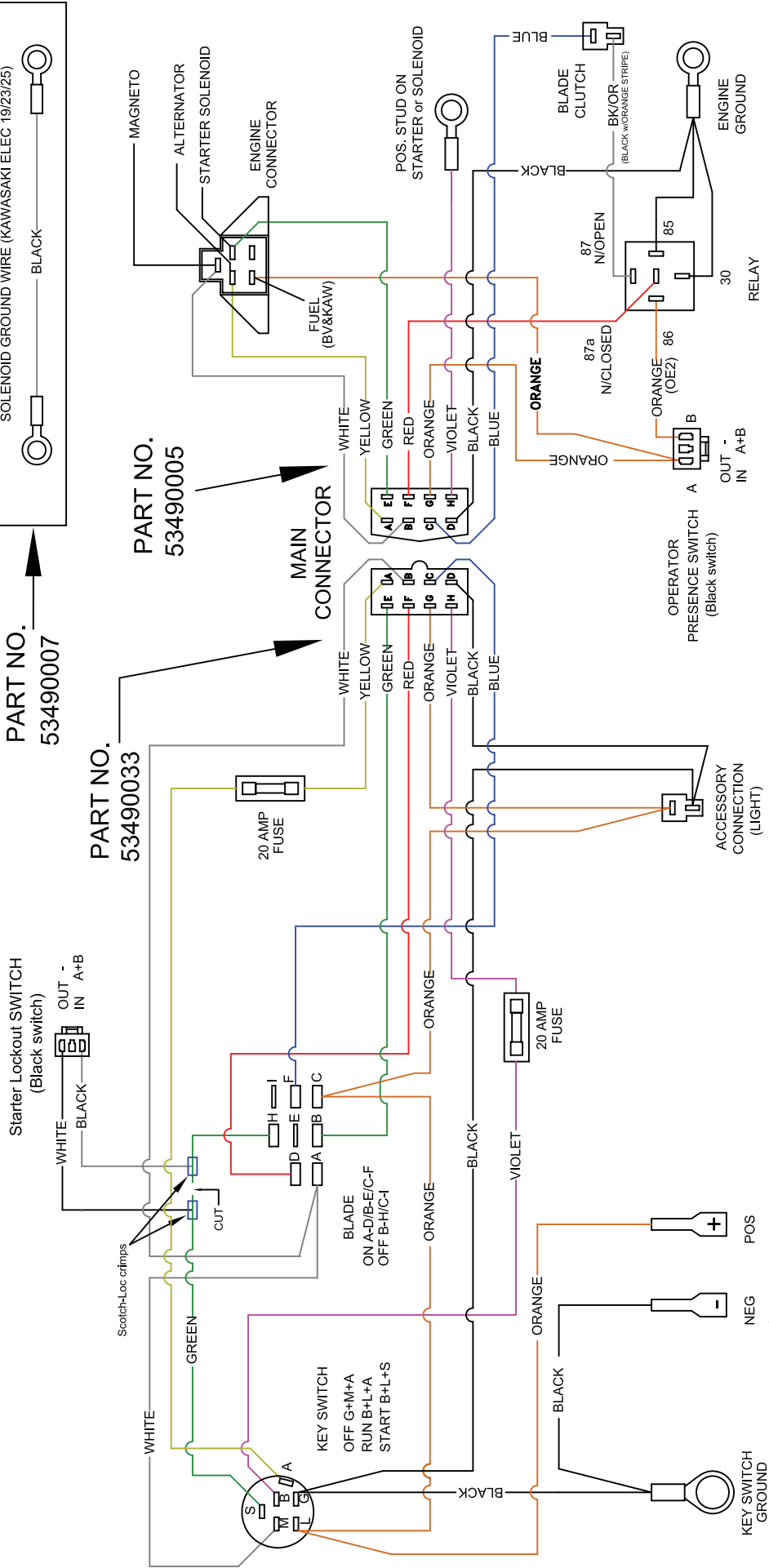
NOTE: SHOWING WIRE SIDE OF CONNECTORS



PART NO. 53490017



PART NO. 53490007



Wright Sentar

ELECTRIC START WIRE HARNESS WITH PTO DELAY

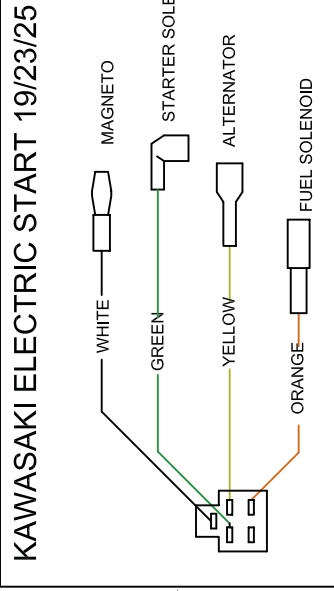
NOTE: SHOWING WIRE SIDE OF CONNECTORS



53490019 Waterproof Relay



52410007 Time-Delay Module

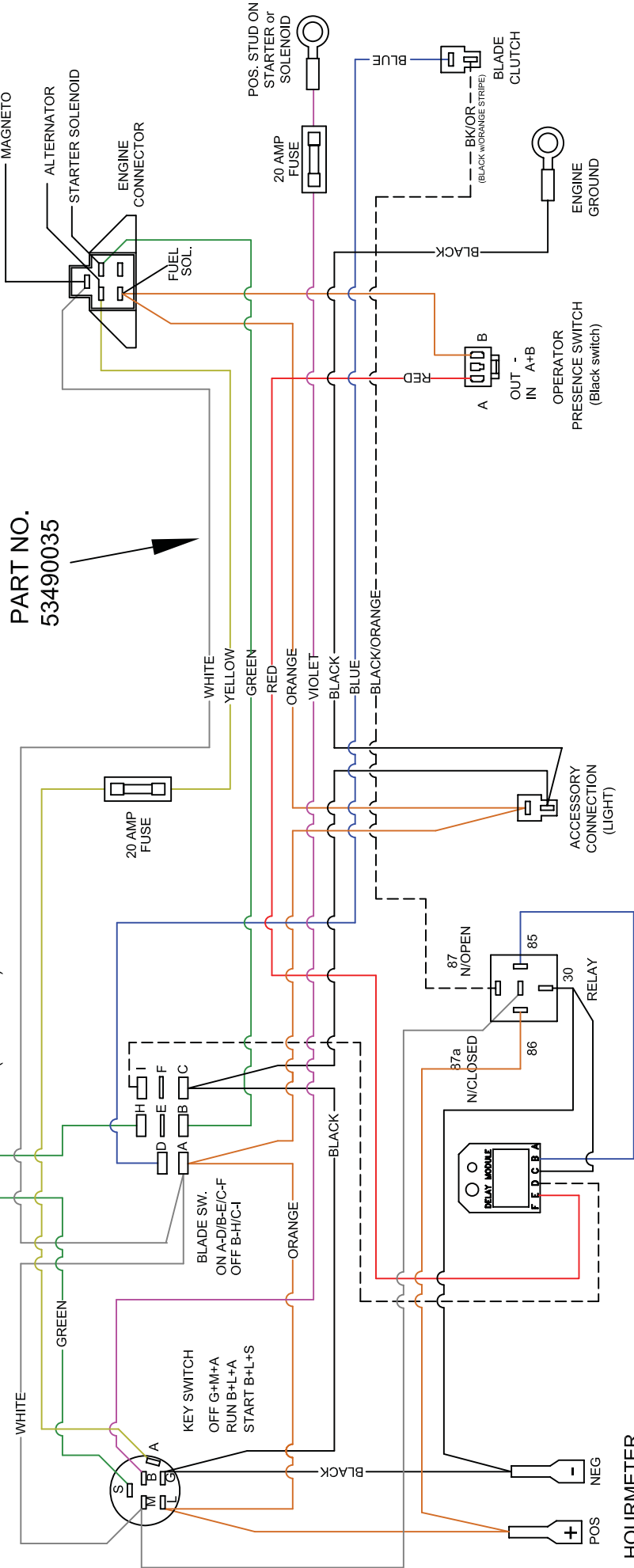


PART NO.
53490017



PART NO.
53490007

PART NO.
53490035



HOURMETER



1



2



3



4

48

5

52

6

61

7



8 (Qty.2)



9 (Qty.2)



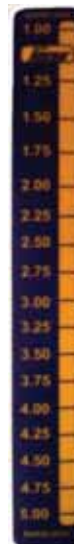
10 (Qty.2)



11



12



13



14 (Qty.2)



15



16 (Qty.2)



17



18 (Qty.2)



19



20



21

1	76490020	Decal, Sentar
2	76490051	Decal, Commercial Benefits
3	76420001	Decal, Lt. Dash
4	76490002	Decal, Rt. Dash
5	76490008	Decal, 48" Deck Size
6	76490007	Decal, 52" Deck Size
7	76490012	Decal, 61" Deck Size
8	76490023	Decal, Circle with "W"
9	76460001	Decal, Danger Blade Hazard
10	76490001	Decal, Shield Missing

11	76490036	Decal, Patent Numbers
12	76410001	Decal, All Logos
13	76490022	Decal, Height of Cut
14	76490018	Decal, Speed Sensitivity Adj.
15	76490033	Decal, CE, Lt. Dash
16	76490028	Decal, CE, Danger Blade Hazard
17	76490053	Decal, CE, Parking Brake
18	76490029	Decal, CE, Shield Missing
19	76490046	Decal, CE, Noise, 105dB
20	76490058	Decal, CE, Hearing Protection
21	76490032	Decal, CE, Rt. Dash



4600X Wedgewood Blvd
Frederick, MD 21703
www.wrightmfg.com

Free Manuals Download Website

<http://myh66.com>

<http://usermanuals.us>

<http://www.somanuals.com>

<http://www.4manuals.cc>

<http://www.manual-lib.com>

<http://www.404manual.com>

<http://www.luxmanual.com>

<http://aubethermostatmanual.com>

Golf course search by state

<http://golfingnear.com>

Email search by domain

<http://emailbydomain.com>

Auto manuals search

<http://auto.somanuals.com>

TV manuals search

<http://tv.somanuals.com>