

DO NOT REMOVE!

Except By Owner/User

IMPORTANT SAFETY AND OPERATIONS INFORMATION INSIDE



VK200-2(R,SC,B)
VK200-2(R,B)-15

VELKE ASSEMBLY PACKING LIST:

VELKE ASSEMBLY:

TIRE
FOOTPLATE
18" ARM FOR VK200-2(R,SC,B)
(15" ARM FOR VK200-2(R,B)-15 & VK200-2HN)
HITCH
ADAPTER PLATE
TWO 3/8" x 1 1/4" BOLTS, LOCKNUTS

REMAINING HARDWARE IN KIT:

BAG
SNAP
CHAIN
TWO MORE 3/8" BOLTS, LOCKNUTS
ONE 5/16" x 1" BOLT
ONE 5/16" LOCKNUT

LITERATURE BAG

BAG

THIS DOUBLE-SIDED 3 PAGE PACKAGE:

- DO NOT REMOVE WARNING/PACKING LIST
- PARTS LIST WITH DIAGRAM
- SAFETY WARNINGS
- INSTALLATION INSTRUCTIONS

LUBRICATION WARNING (PINK)
C84 BEST "Four best workers..." FLYER
WARRANTY



4600X Wedgewood Blvd., Frederick, Maryland, 21703 U.S.A.
ph. 301.360.9810 fax. 301.360.9820



U.S. PATENT # 5,004,251 (Pro 1 & X2)
 # 5,810,371; 5,882,020; 6,000,705; 6,234,495 & Pats. Pend.
 Made in U.S.A.

INSTALLATION & ASSEMBLY INSTRUCTIONS

NOTE: The velke sulky must be installed correctly for best performance. Follow carefully starting at STEP 1.

STEP 3

In most cases the handlebars will need to be raised as high as they will go for user comfort.

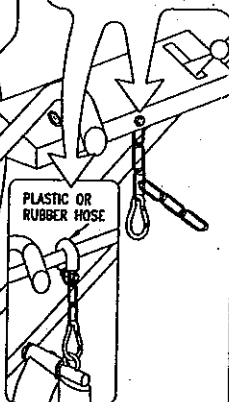
If your mower has threaded support rods like the mower shown here, use the extra length to raise the entire handlebar/gas tank assembly.

Many mowers have hidden holes for the adjustment of the top section of the handlebars. Use the highest setting.

You may need to readjust the control linkages of the mower after raising the handlebars.

STEP 4

Transport chain: (note: changing handlebar position after setting chain length prevents proper operation.) Attach the chain somewhere centered to the mower. See the two examples shown below. If you drill, be careful not to damage parts behind surface. (5/16" hole) If necessary, use a piece of hose as shown to prevent damage to paint. Attach the hook so that the Velke hangs up as high as possible with just enough slack for unhooking it. Cut off excess chain.



STEP 5

- GREASE ALL FITTINGS BEFORE USING AND DAILY THEREAFTER.
- WARNING: THE WHEEL BEARINGS WILL BE DESTROYED IN MINUTES IF USED DRY. (no grease when shipped)
- MIN/MAX TIRE PSI IS 20 TO 30 (can change platform height and give a smoother or stiffer ride) (inflate through access hole)
- IF MORE GROUND CLEARANCE IS NEEDED, MOVE AXLE TO LOWER HOLE. Note: Raising the platform may cause you to ride bent over in order to reach the handlebars.
- READ THE SAFETY INSTRUCTIONS NOW AND REQUIRE EVERY USER TO READ IT BEFORE USING. "ENJOY"

GREASE POINTS

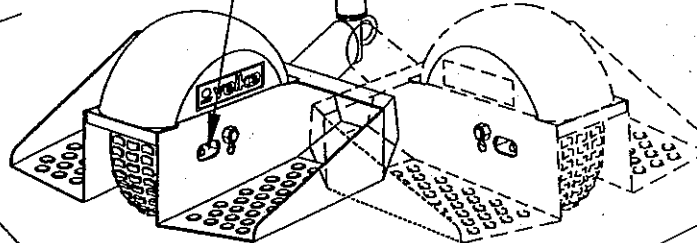
11 1/2" TO PIN

STEP 1

Some Velke models are available with a 15" or 18" forward arm. See reverse if you are unsure of your purchase. Attach the hitch (and adapter plate if needed) to the rear face of the mower (never on the top face) with the center of the hitch pin at 11 1/2 inches from the ground using existing bolt holes or vise grips if you need to drill holes. Hitch can be turned over giving more increments for height. If 11 1/2 inches is not easily obtainable using mowers existing holes, try the closest setting (see "HITCH HEIGHT" on reverse). Also see reverse for additional help for mowers with unusual mounting areas.

STEP 2

If you need to drill holes, make sure the hitch is level to the mower before marking hole locations. Mark with center punch for precise drilling. Make sure you don't damage parts behind surface when drilling. Drill 3/8" holes. Install bolts facing out when needed to avoid contact with pulleys, belts, etc. Attach the Velke to the hitch with the hitch pin always installed from the right side of the arm.



4600X Wedgewood Blvd., Frederick, Maryland, 21703 U.S.A. • 301.360.9810 • fax.301.360.9820



U.S. PATENT # 5,004,251 (Pro 1 & X2)
 # 5,810,371; 5,882,020; 6,000,705; 6,234,495 & Pats. Pend.
 Made in U.S.A.

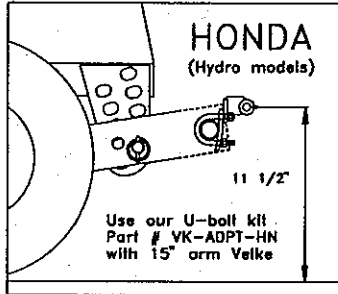
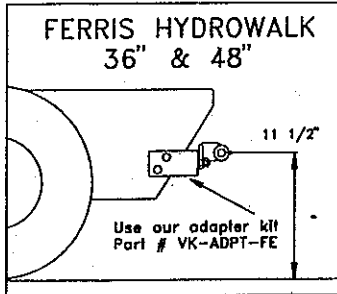
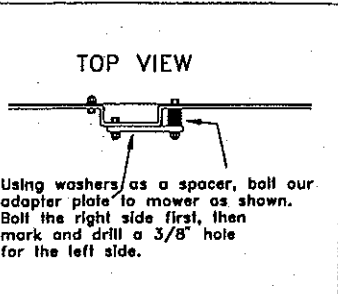
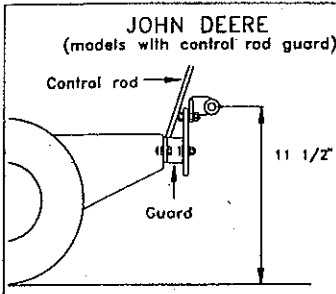
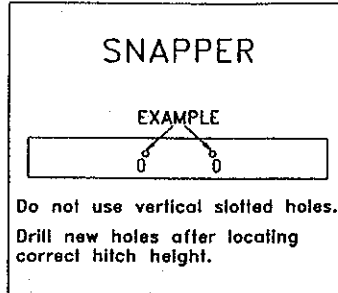
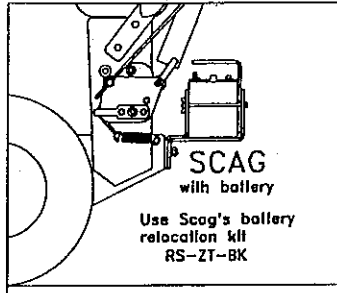
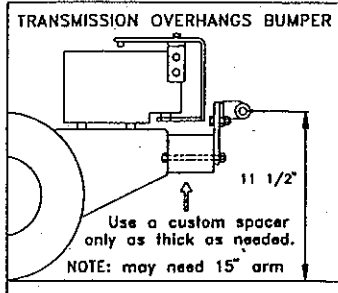
MORE HELP

(Use in addition to the instruction sheet)

The Velke will work on most any walk-behind mower if attached correctly. You may have to do a little more work than usual if your mower is like one of these shown.

Note: Correct hitch height must be obtained for the Velke to work correctly. See "HITCH HEIGHT" below.

Please write any comments about the Velke on your Warranty Registration form.



THE ARM QUESTIONS

Q: What arm is recommended for my mower?

A: Some mower Makes are known to nearly always take the same Velke arm no matter what model or year the walkbehind is.

Example: All Scags take the 18"
 All Toros take the 15"
 All Gravelys take a 15"

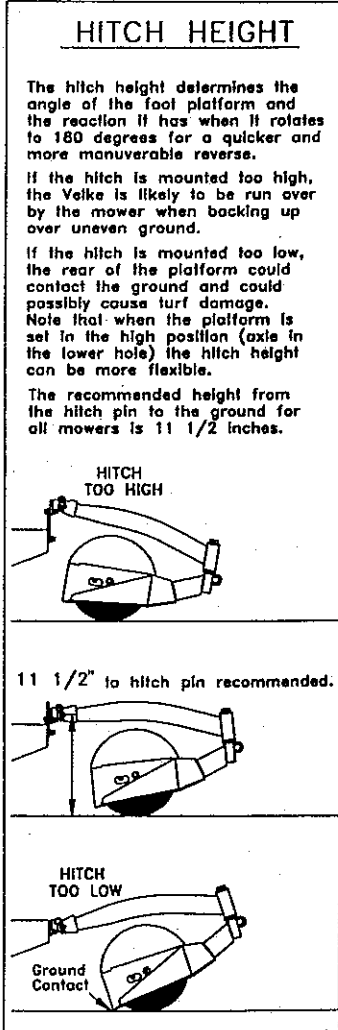
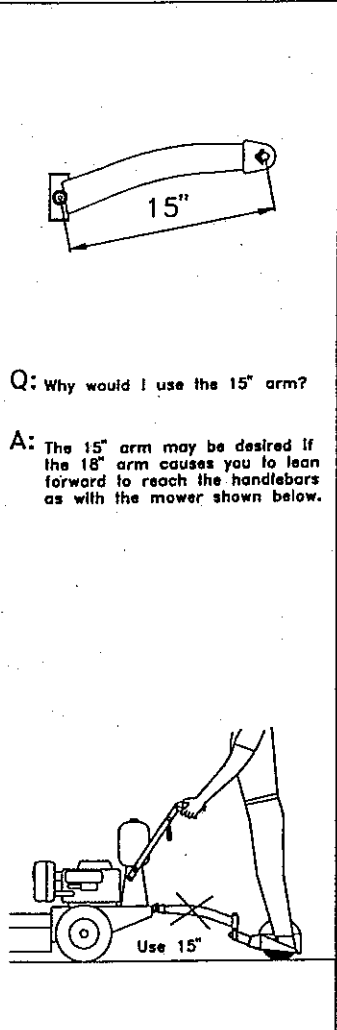
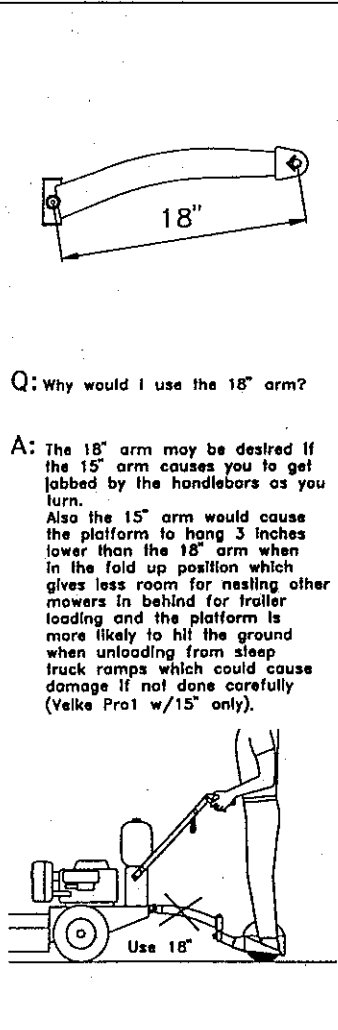
Rarely does anyone prefer the other size arm for those mowers.

Some mower Makes often take a particular size arm based on the model, year, or type (hydro, gear drive, loop handle, pistol grip, etc.) Also if custom spacers are needed behind the hitch in order to fold the Velke up and to obtain the correct hitch height. Your equipment dealer can often give you the best advice as to which arm is usually preferred for your mower.

Many times a mower could use either size arm equally well and would be chosen by personal preference. Keep in mind that the handlebar position if changed can make a difference in your choice (highest handlebar setting is recommended in most cases).

Q: What do I do if I install the Velke to try it and decide that the other size arm would be better?

A: First ask your dealer what they will do for an exchange. You may exchange the arm with us for a new arm of the other size if it is clean, unscratched, unused and in saleable condition. Slightly used or scratched arms can be exchanged for equal (or slightly lesser) quality if it is available. Call first!



4600X Wedgewood Blvd., Frederick, Maryland, 21703 U.S.A. • 301.360.9810 • fax.301.360.9820



U.S. PATENT # 5,004,251 (Pro 1 & X2)
 # 5,810,371; 5,882,020; 6,000,705; 6,234,495 & Pats. Pend.
 Made in U.S.A.



VELKE SULKY PARTS LIST

Velke PRO 1 REF #	Velke X2 REF #	PART #	DESCRIPTION	Color Code: R=red, SC=orange, B=black
1		VK200-2(R,SC,B)	VELKE SULKY, PRO 1 w/18" arm [specify R,SC,B]	
		VK200-2(R,B)-15	VELKE SULKY, PRO 1 w/15" arm [specify R,B]	
	1X	VKX2-3(R,SC,B)	VELKE SULKY, X2 w/18" arm [specify R,SC,B]	
		VKX2-3(R,B)-15	VELKE SULKY, X2 w/15" arm [specify R,B]	
2		VKWHEEL	Wheel Assy., w/ centered hub & spanner	
	2X	VKXWHEEL	Wheel Assy., w/ offset hub & spanner	
2a		VKTIRE	9" x 3.5" 2 Ply Turf Tread Tire	
2b		VKTUBE	9" x 3.5" Tube for VKTIRE	
2c		VKRIM/HUB	4" x 2.25" 3 Piece Rim/Centered Hub Assy. (w/o bearings)	
	2Xc	VKXRIM/HUB	4" x 2.25" 3 Piece Rim/Offset Hub Assy. (w/o bearings)	
2d		VKBRGKIT	Bearing Kit PRO 1 (w/ Roller Bearing, Retainers & Spanner)	
	2Xd	VKXBRGKIT	Bearing Kit X2 (w/ Roller Bearing, Retainers & Spanner)	
2e		VKSPNNR	Spanner, 3/4" O.D.	
	2Xe	VKXSPNNR	Spanner, 1" O.D.	
2f		VKRLBRG	Roller Bearing. 3/4" I.D.	
	2Xf	VKXRLBRG	Roller Bearing. 1" I.D.	
2g		VKBRGRTNR	Bearing Retainer, 3/4" I.D. (2 required)	
	2Xg	VKXBRGRTNR	Bearing Retainer, 1" I.D. (2 required)	
2h		VKWHLZERK	Grease Fitting For VKWHEEL & VKXWHEEL	
3		VKPLAT2-2(R,SC,B)	Foot Platform PRO 1 (w/ decals) [specify R,SC,B]	
	3X	VKXPLAT2-2(R,SC,B)	Foot Platform X2 (w/ decals, bushings,zerk) [specify R,SC,B]	
4		VKAXLE2-2	Axle Bolt (w/ spacers and self locking nut)	
	4X	VKXLPIN	Linch Pin for X2 axle	
5		VKARM2-2(R,SC,B)	Arm, 18" (w/ bushings & grease fitting) [specify R,SC,B]	
6		VPIVOTBUSH	Bronze Bushing pivot(s) (PRO 1 req. 2; X2 req. 4)	
7		VHITCBUSH	Bronze Bushing for hitch (2 required)	
8		VKHITCH2-2(R,SC,B)	Hitch (w/ bushings & grease fitting) [specify R,SC,B]	
9		VELKIT2-2	Snap & Chain Kit (includes chain, snap, nut, bolt)	
9a		VSNAP	Spring Snap for chain	
10		VKPIN2-2	Clevis pin for hitch, w/ hair pin & roll pins	
11		VADAPTER	Adapter plate for hitch height adjustment	
12		VK-ADPT-FE	Adapter kit to mount VELKE to 36" & 48" Ferris HydroWalk	
13		VK-ADPT-HN	U-Bolt kit for attaching VELKE to Honda Hydro	
14		VKARM-SHORT(R,B)	Optional SHORT 15" arm (w/ bushings) [specify R,B]	
15		VKLABEL	Decal set for VELKE PRO 1 Sulky (incl. all three)	
	15X	X2-VKLABEL	Decal set for VELKE X2 Sulky (incl. 2 labels)	
16		VKSPCKIT	Spacer kit (includes both sizes needed, 4 total)	
	16X	VKXSPCKIT	Spacer kit (includes both sizes needed, 6 total)	
	17X	VKXPIVPIV(R,SC,B)	Intermediate Pivot [specify R,SC,B]	
	18X	VKXPROTEC	Protective cover (for fold-up feature)	
		COTT1/4-175	Cotter Pin(s) 1/4" x 1 3/4": (PRO 1 req. 1; X2 req. 2)	
19		15990010	E Clip 7/8": (PRO 1 req. 1; X2 req. 2) (Supercedes Cotter Pin)	
•		VKFLYER2-2	4-Color Sales Flyer for VELKE PRO 1	
•		CB4BEST	4-Color Sales Flyer, "Four best workers..."	
★			COMMON:Other common hardware should be purchased locally. All bolts must be grade 5.	

Server:011Users\BIM\Spreadsheets\Velke\Velke MSRP 082401.WB3

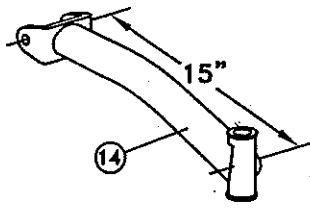
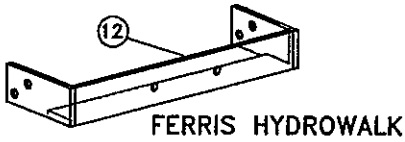


4600X Wedgewood Blvd., Frederick, Maryland, 21703 U.S.A. • 301.360.9810 • fax.301.360.9820

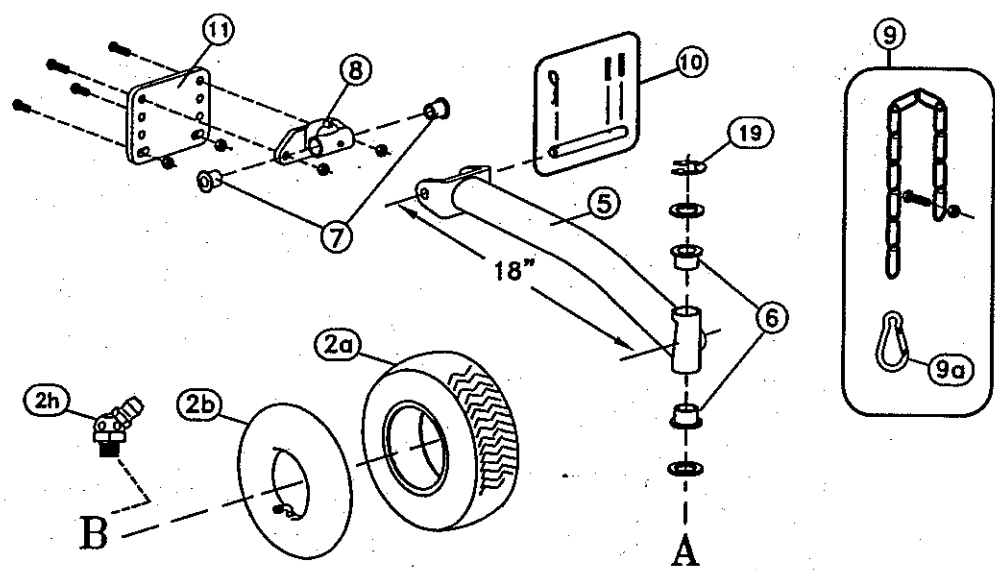
©1999-2001 Wright Manufacturing, Inc. (WMI) All rights reserved. Velke, Velke X2, X2, Grass Gobbler, Gobbler and Leaf Gobbler are trademarks of WMI. Rev. 8/24/01

Download from Www.Somanuals.com. All Manuals Search And Download.

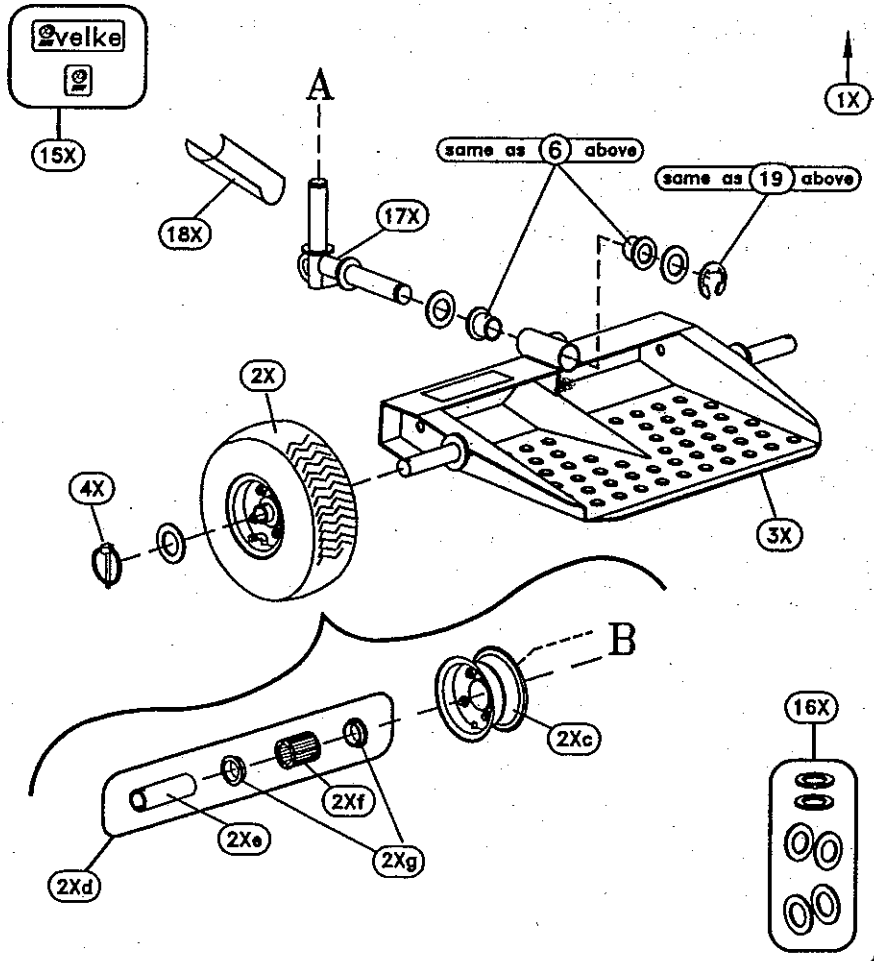
PRO1 and X2 Options



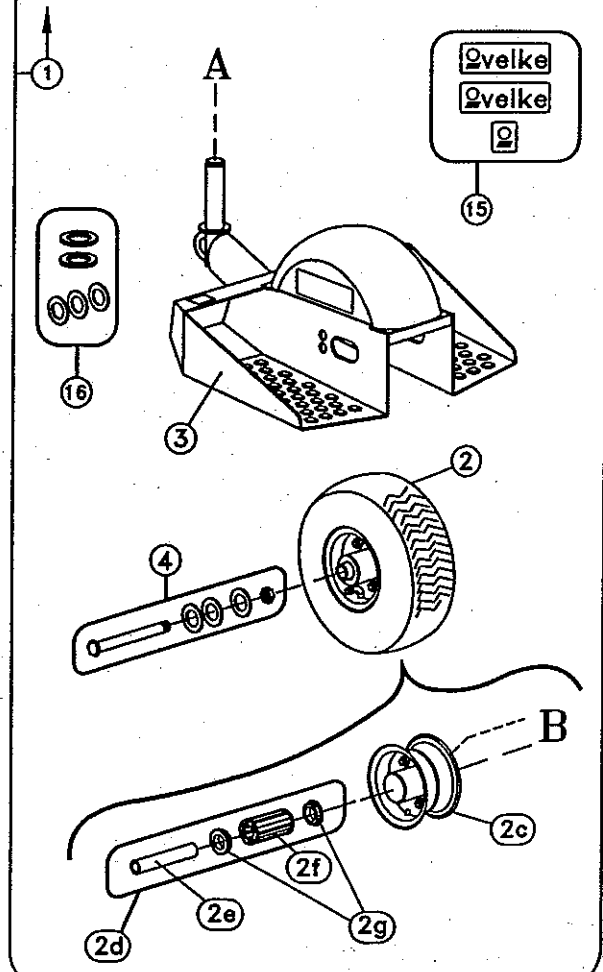
Common Parts for velke PRO1 and X2



Parts for velke X2 only



Parts for velke PRO1 only



WARNING!!
READ THIS BEFORE USING



WARNING!!
READ THIS BEFORE USING

VELKE SAFETY WARNINGS

- 1. Do not use the Velke Sulky until you are completely familiar with the operation of the particular mower that it is attached to. We recommend at least one month experience walking behind the mower before riding.**
- 2. Make sure all safety equipment provided with the mower is in operating order. This includes operator presence devices that will shut the mower off in case you let go of the handles.**
- 3. Wear thick-soled, high-top leather work boots. No bare feet!**
- 4. Do not attempt to operate the mower in reverse gear while standing on the Velke sulky.**
- 5. Operate the mower at slower speeds until you become familiar with how the Velke sulky handles. It won't be long before it becomes natural. Some users compare it to skiing.**
- 6. Do not operate the mower faster than you could walk comfortably. Speeding is dangerous even when trotting (or running) behind a mower. Sudden stops from excessive speed may cause serious injury. The Velke will make you more efficient by just maintaining a healthy pace through the day without speeding.**
- 7. Never use any mower near and by-standers in case you lose control or objects are thrown from the mower.**
- 8. Do not allow inexperienced people to use the Velke until they have read and understand this sheet, and have significant experience walking behind a commercial/industrial mower.**
- 9. Do not use the Velke sulky if any parts become loose. Examine the moving parts each time you use it. Look for loose or missing bolts, cotter or hair pins and replace immediately.**



4600X Wedgewood Blvd.,
Frederick, Maryland, 21703
U.S.A.
ph. 301.360.9810
fax.301.360.9820

Wright Manufacturing, Inc., the manufacturer of the Velke sulky, thanks you for purchasing this new product. We're working to help you make money. Please write or call us if you would like to receive product update information or if you have any questions about its use or installation. We're here to give you 100% satisfaction. Our local Velke dealers are authorized to service and sell our product in your area. Please give them your support.

Free Manuals Download Website

<http://myh66.com>

<http://usermanuals.us>

<http://www.somanuals.com>

<http://www.4manuals.cc>

<http://www.manual-lib.com>

<http://www.404manual.com>

<http://www.luxmanual.com>

<http://aubethermostatmanual.com>

Golf course search by state

<http://golfingnear.com>

Email search by domain

<http://emailbydomain.com>

Auto manuals search

<http://auto.somanuals.com>

TV manuals search

<http://tv.somanuals.com>