

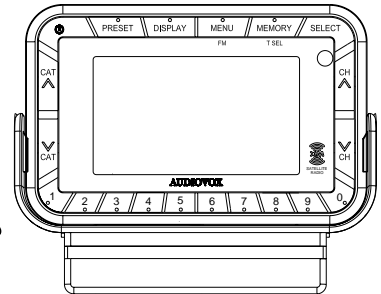
AUDIOVOX®
ELECTRONICS CORP.



SATELLITE
RADIO

XC9 Car Cradle

Vehicle Installation Guide for use with XR9 Satellite Radio Receiver



Released: 9-30-04

128-7218

1 of 20

THIS PAGE LEFT BLANK INTENTIONALLY

-2-

128-7218
2 of 20

CONTENTS

Congratulations	4
Cautions and Warnings	5
Contents XC9	6
Hardware Kit	6
Installation/Wiring Precautions	7
Setting Up and Installing Your Kit	7
Interconnect Diagram	8
Using Other Manufacturer's Mounts	11
Installing the XR9 Into the Cradle	11
Connection Options	13
Mounting the Vehicle Antenna	14
Warranty	18

Congratulations

You are one step closer to experiencing XM Satellite Radio. XM will revolutionize your in-home or vehicle entertainment with:

- Over 130 channels of original programming, including –
68 channels of 100% commercial-free music – guaranteed,
Over 60 channels of world-class sports, news, talk and information.

Your XR9 Satellite Radio Receiver Audiovox XR9 must be used with an adapter kit, such as the Audiovox Home kit, Boom Box or Vehicle Kit as required by your specific installation needs. These kits are available at retailers where Audiovox main units are sold.

Audiovox Home Kit: XH9
Audiovox Vehicle Kit: XC9
Audiovox Boombox: XB9

Accessories:
RCA Adapter Cable, SAT-RCA
FM Switching Box, SAT-SWB

Required subscription for service sold separately. Premium Channels available at additional monthly costs. Installation costs and other fees and taxes may apply, including a one-time activation fee. All fees and programming subject to change. College sports games subject to availability. Subscriptions subject to Customer Agreement included with the XM Welcome Kit and available at xmradio.com. Only available in the 48 contiguous United States.

(c) 2004 XM Satellite Radio Inc. XM is a trademark of XM Satellite Radio. All rights reserved. All other trademarks are the property of their respective owners.

-4-

128-7218

4 of 20

Cautions and Warnings

1. Do not install the XC9 in a position that hinders your view through the windshield, or obstructs view of the dashboard indicators and displays.
2. Do not install the unit where it may obstruct the operation or deployment of safety devices, such as airbags, etc.
3. Do not allow operation of the unit to detract from safe driving practices; remember that you are responsible as the vehicle operator to adhere to all safe driving and traffic regulations.
4. This unit complies with the interference limits relative to a Class B digital device, applicable under Part 15 of the FCC Rules regarding installation in a residential environment. If the unit is not installed in accordance with these instructions, it could cause harmful interference to radio or television reception. If this condition persists after corrective action, consult your dealer or experienced installation facility.
5. By adhering to these warnings and safety considerations, serious accidents and/or personal injury can be avoided.

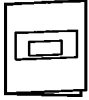
-5-

128-7218

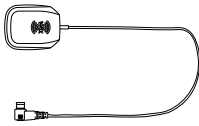
5 of 20

Contents XC9

Install Manual
(P/N 1287218)

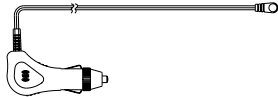


Antenna
(P/N 118-1133)



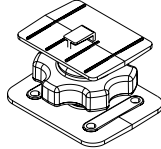
1 pc.

12 Volt-to-6 Volt
DC Power Adapter
(P/N 112-3456)



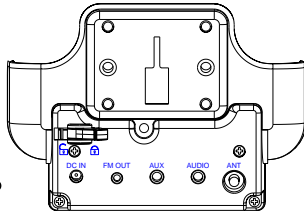
1 pc.

Base
(P/N 136-3774)



1 pc.

Cradle XC9
(P/N 136-3771)



1 pc.

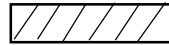
HARDWARE KIT (P/N 150-1579)

Screw, Pan Hd, Philips
M4 x 8mm w/captive
Flat & Lock Washer



4 pc.

1.6" W X 2" Long
Double Sided Foam Tape
(P/N 138-1305)



1 pc

Alcohol Swab
(P/N 138-1189)



1 pc.

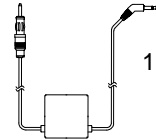
OPTIONAL

Audio Cable
(P/N SAT-RCA)



1 pc.

FM Switching Box Assy
P/N SAT-SWB (6 Meter)



1 pc.

Installation/Wiring Precautions

1. To prevent a short-circuit, be sure to turn off the ignition and remove the negative (-) battery cable prior to installation. Connect power wires last.
2. Do not install the unit in the locations exposed to direct sunlight or, in areas subject to extreme temperatures.
3. Incorrect installation may cause damage to the system. Mount the unit firmly in place, using the supplied hardware.
4. Be careful not to damage the vehicle wiring.
5. Be sure to use the supplied screws and washers.
6. Be careful not to snag any wires when tightening screws.
7. Use only the 12 Volt-to-6 Volt DC Power Adapter supplied. Use of an alternative power adapter may damage the XR9 unit and/or the XC9 cradle.

CAUTION: You could drain the vehicle battery if the cigarette lighter adapter remains plugged in after the ignition is turned off. Unplug the adapter to prevent this possibility.

Setting Up and Installing Your Kit

NOTE: The XM signal can be received and processed virtually anywhere as long as there are no obvious satellite signal obstructions such as nearby buildings, high terrain, parking garages or tunnels.

1. Cabling Interconnections

You can begin to enjoy XM™ Satellite Radio as soon as the XR9 and Vehicle Kit installation are complete. Set up your Audiovox XC9 using the following installation instructions, or enlist the help of a professional installer:

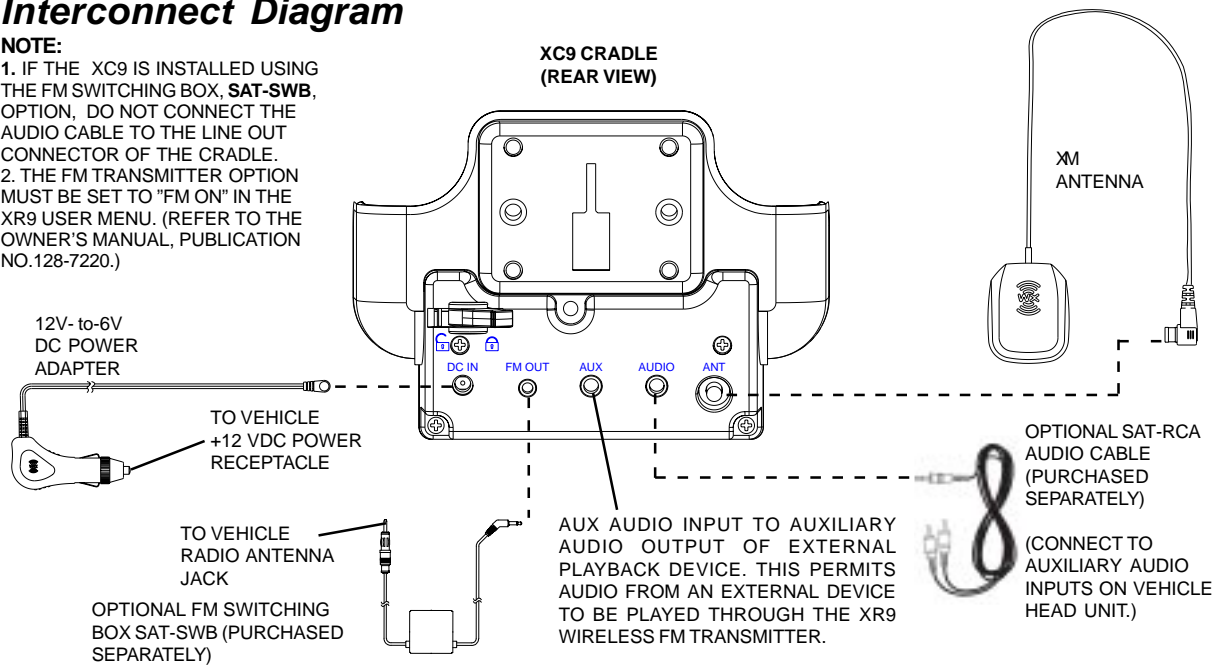
2. Installing the Cradle Mount Base Assembly

- a. Interconnect all of the components as shown on the adjacent page to verify that the system operates normally.
- b. Locate a firm, reasonably flat surface within your car to permit optimum viewing and line-of-sight access by the supplied remote control unit.

Interconnect Diagram

NOTE:

1. IF THE XC9 IS INSTALLED USING THE FM SWITCHING BOX, **SAT-SWB**, OPTION, DO NOT CONNECT THE AUDIO CABLE TO THE LINE OUT CONNECTOR OF THE CRADLE.
2. THE FM TRANSMITTER OPTION MUST BE SET TO "FM ON" IN THE XR9 USER MENU. (REFER TO THE OWNER'S MANUAL, PUBLICATION NO.128-7220.)

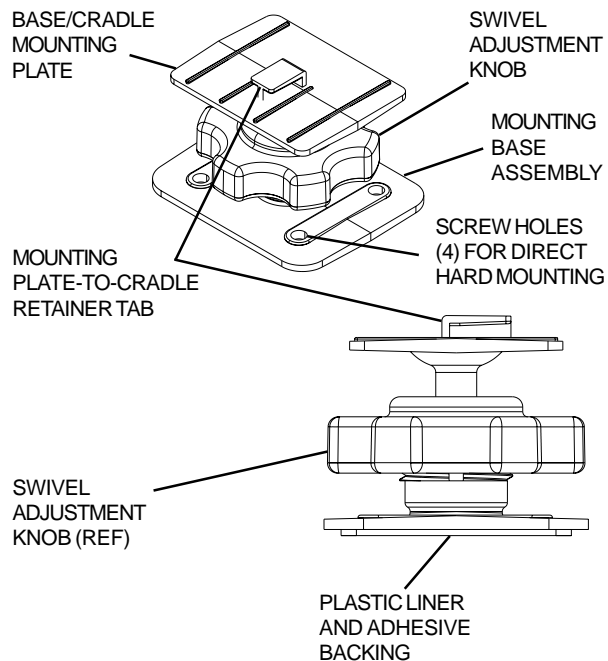


-8-

128-7218

8 of 20

- CAUTION:** Do not install the mounting base on a leather or fabric surface, or in a position that could impair your vision, block air bag(s) or obstruct vehicle dashboard controls and/or radio CD/cassetteoperational displays.
- NOTE:** The adhesive backing on the base will not permit easy repositioning once it has been mated to the surface; use extreme care and planning when selecting the mounting location. If the base is to be screwed to the surface, make sure the area in back of the mounting surface is clear of wires or other items to prevent unintentional damage.
- c. Using the alcohol swab supplied with your kit, clean the mounting surface and thoroughly wipe the area dry with a clean lint-free cloth.
 - d. If the outside air temperature is cold, it may be beneficial to warm the adhesive backing on the base using a portable hair dryer, or by holding the backing surface in front of a vehicle heater vent.
 - e. Remove the plastic liner from the adhesive backing on the base, and fix the base in position on the surface; make sure the mounting pad is accurately positioned on the first try, since repositioning may be difficult, if not impossible.
 - f. If the mount is to be screwed in place, do not remove the plastic liner from the adhesive backing. Use appropriate sheet metal or machine screws for this purpose.
 - g. To mount the XR9 atop the swivel base, line up the slot at the rear of the XC9 cradle with the base retainer tab, and slide the cradle down so that the slot and tab mesh together in a lock position.

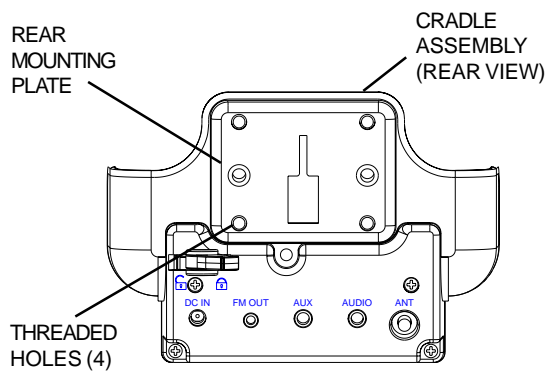


NOTE: Allow a 72-hour period for the adhesive backing to cure completely.

3. Installing the Cradle Using Double-Sided Tape

You can mount the cradle directly to your dashboard or other flat surface without using the cradle mount in the kit.

- a. Remove the 3/4" x 3" double-sided tape from the supplied kit.
- b. Determine the location of the cradle, and clean the mounting surface as before.
- c. Peel the backing from one side of the tape, and press the tape in place on the rear or bottom cradle mounting plate.
- d. Peel the backing from the exposed side of the tape and carefully position the cradle on the mounting surface, gently pressing the cradle into place.



provide you with multiple mounting options within the vehicle using various vehicle-specific aftermarket brackets, such as those purchased separately from Panavise, Pro-Fit, etc.


NOTE: The cradle contains a rear mounting plate with four M4 x 7 threaded holes for attachment to the vehicle-specific after-market bracket. Four M4 x 8 Philips screws are supplied with the mounting base for this purpose.

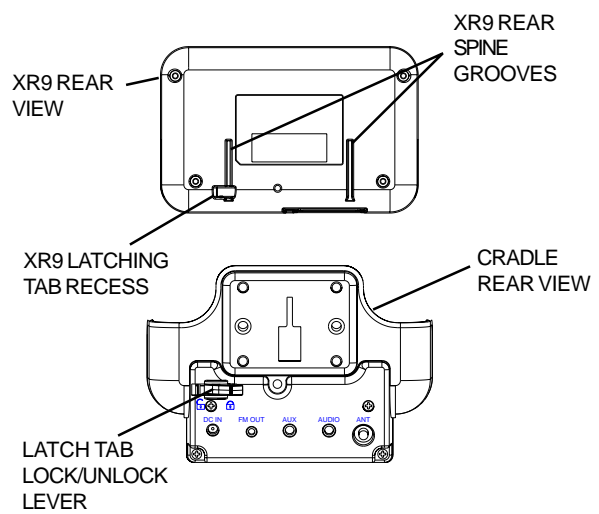
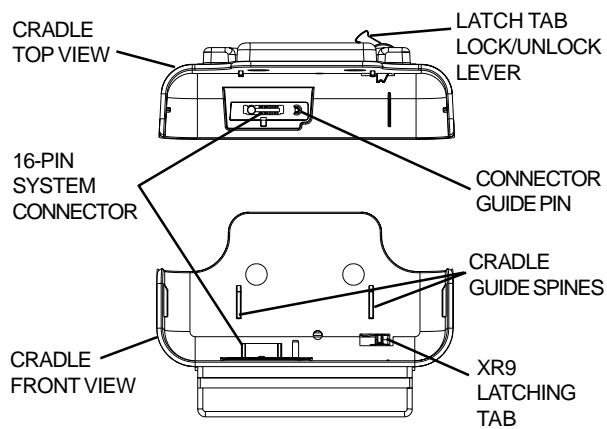
4. Using Other Manufacturer's Mounts

The XC9 Cradle can also be installed using other manufacturer's mounts; the mounting plate provisions on the rear of the cradle

5. Installing the XR9 into the Cradle

Install the XR9 as follows:

- a. Carefully line up the XR9 rear spine grooves with the cradle guide spines; slide the latch tab lever to the unlock () position, and lower the XR9 into the cradle.



- b. After making sure the connectors are properly lined up, gently press down on the XR9 to mate the connectors together.
- c. Slide the latch tab lever to the lock (🔒) position; the tab will enter the XR9 latching tab recess to prevent vertical movement. The XR9 should now be nestled securely in the cradle.

-12-

128-7218

12 of 20

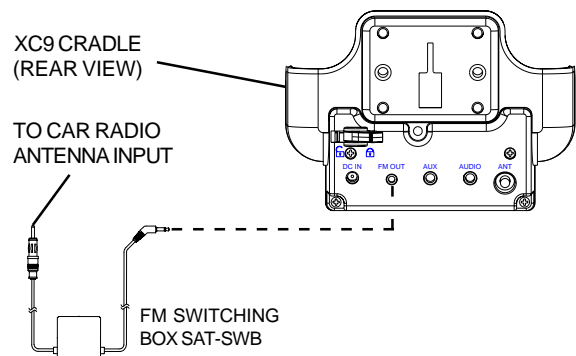
6. Connection Options

The XR9 and Cradle provide an audio output signal in three ways:

1. **FM Wireless Transmitter** - When using the XC9 cradle with the wireless FM transmitter option, the XM audio signal can be received at your car radio on selectable FM frequencies using the menu options included in your XR9. (Refer to the XR9 owner's manual.) The XM audio signal can then be played through your car radio when the car radio is tuned to one of the available frequencies.
2. **FM Direct Wiring** - If the FM wireless transmitter does not provide satisfactory performance in your vehicle, use the optional FM Switching Box assembly (Part No. SAT-SWB) which provides a hard-wired FM output. Connect the switching box to the FM OUT connector on the rear of the cradle; the other end of the switching box plugs into the antenna jack of your radio. By using this assembly, and selecting the appropriate FM output frequency (88.1MHz -107.9MHz) using the XR9 **FM Options-Frequency Control**

menu, the XM signal received at the ANT cradle antenna input can be played through your car radio when tuned to one of these frequencies.

3. **Low-Level Audio Output** - For vehicles equipped with radio head units with auxiliary audio inputs, the audio signal can be routed through an optional audio cable (Part No. SAT-RCA) and applied to the auxiliary inputs of a radio or entertainment system. In this case, it is best to turn the XR9 FM modulator option off to avoid interference.



-13-

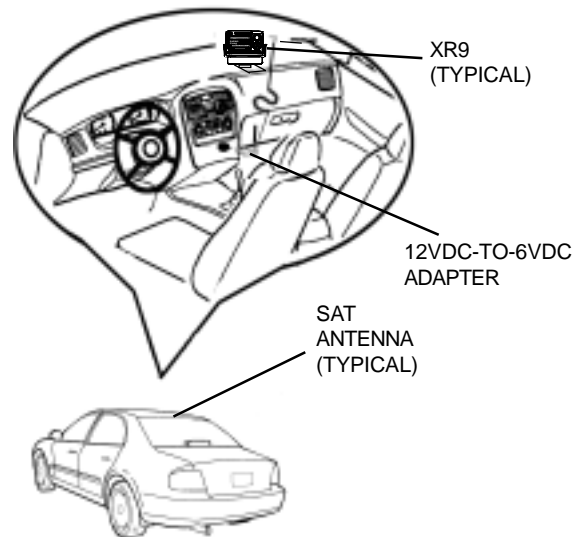
128-7218

13 of 20

7. Mounting the Vehicle Antenna

The antenna should be placed on a relatively flat surface on the vehicle exterior, preferably on the roof (high point) or on the trunk (convertible). To mount the antenna:

- a. Plug the antenna into the ANT connector on the back of the cradle.
- b. Place the antenna at the preferred location on the roof or trunk surface. If the vehicle is equipped with a roof or trunk rack, the antenna may have to be mounted off-center on the surface. The magnet will secure the antenna in the desired position.
- c. Apply power to the XR9 system as outlined in the associated User Guide and obtain an audio output. If no audio is heard, first check the signal strength indicator located on the bottom left corner of the display to ensure the antenna is receiving an optimum signal. If necessary, move the antenna to different positions on the surface until an audio output is heard. The desired antenna position should be marked with masking tape or by another non-scratch method.



- d. After determining the optimum position, turn off XR9 power, disconnect the power adapter from the vehicle cigarette lighter receptacle and disconnect the antenna cable.

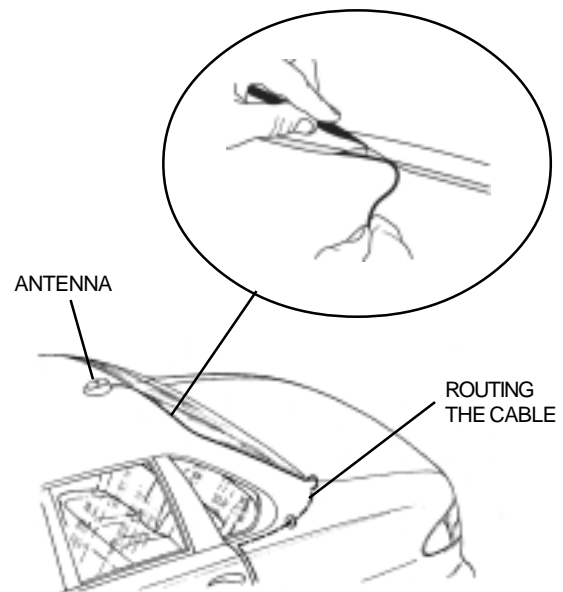
-14-

128-7218

14 of 20

- e. Plan the routing of the antenna cable to the cradle. Make sure you avoid any obstructions that could crimp, kink or twist the cable; use protective grommets wherever rough openings are encountered.
- f. Route the cable from the antenna position to the interior of the vehicle, working the cable under the rear window molding; make adjustments and take up slack whenever necessary.
- g. At the lowest point of the rear window, route the cable into the trunk, taking advantage of existing cable conduits. Then snake the cable around the passenger compartment to the back of the XC9 cradle.
- h. In SUV's, minivans, etc., route the cable into the vehicle under the rubber molding of the hatch door or tailgate, and then under the interior trim.

NOTE: Avoid exposing the cable in the driver and passenger areas where it could become entangled in feet or other objects.



-15-

128-7218
15 of 20

- i. Plug the antenna cable into the ANT connector on the back of the cradle; then plug the cigarette lighter adapter into the lighter receptacle.
- j. You are now ready to enjoy XM programming within your vehicle.

THIS PAGE LEFT BLANK INTENTIONALLY

-17-

128-7218
17 of 20



12 MONTH LIMITED WARRANTY

AUDIOVOX CORPORATION (the Company) warrants to the original retail purchaser of this product that should this product or any part thereof, under normal use and conditions, be proven defective in material or workmanship within 12 months from the date of original purchase, such defect(s) will be repaired or replaced with new or reconditioned product (at the Company's option) without charge for parts and repair labor.

To obtain repair or replacement within the terms of this Warranty, the product is to be delivered with proof of warranty coverage (e.g. dated bill of sale), specification of defect(s), transportation prepaid, to an approved warranty station or the Company at the address shown below.

This Warranty does not extend to the elimination of externally generated static or noise, to correction of antenna problems, to costs incurred for installation, removal or reinstallation of the product, or to damage to tapes, compact discs, speakers, accessories, or vehicle electrical systems.

This Warranty does not apply to any product or part thereof which, in the opinion of the Company, has suffered or been damaged through alteration, improper installation, mishandling, misuse, neglect, accident, or by removal or defacement of the factory serial number/bar code label(s). THE EXTENT OF THE COMPANY'S LIABILITY UNDER THIS WARRANTY IS LIMITED TO THE REPAIR OR REPLACEMENT PROVIDED ABOVE AND, IN NO EVENT, SHALL THE COMPANY'S LIABILITY EXCEED THE PURCHASE PRICE PAID BY PURCHASER FOR THE PRODUCT.

This Warranty is in lieu of all other express warranties or liabilities. ANY IMPLIED WARRANTIES, INCLUDING ANY IMPLIED WARRANTY OF MERCHANTABILITY, SHALL BE LIMITED TO THE DURATION OF THIS WRITTEN WARRANTY. ANY ACTION FOR BREACH OF ANY WARRANTY HEREUNDER INCLUDING ANY IMPLIED WARRANTY OF MERCHANTABILITY MUST BE BROUGHT WITHIN A PERIOD OF 48 MONTHS FROM DATE OF ORIGINAL PURCHASE. IN NO CASE SHALL THE COMPANY BE LIABLE FOR ANY CONSEQUENTIAL OR INCIDENTAL DAMAGES FOR BREACH OF THIS OR ANY OTHER WARRANTY, EXPRESS OR IMPLIED, WHATSOEVER. No person or representative is authorized to assume for the Company any liability other than expressed herein in connection with the sale of this product.

Some states do not allow limitations on how long an implied warranty lasts or the exclusion or limitation of incidental or consequential damage so the above limitations or exclusions may not apply to you. This Warranty gives you specific legal rights and you may also have other rights which vary from state to state.

U.S.A. : AUDIOVOX CORPORATION, 150 MARCUS BLVD., HAUPPAUGE, NEW YORK 11788 • 1-800-645-4994

CANADA : CALL 1-800-645-4994 FOR LOCATION OF WARRANTY STATION SERVING YOUR AREA

128-6464

THIS PAGE LEFT BLANK INTENTIONALLY

-19-

128-7218
19 of 20

© 2004 Audiovox Electronics Corporation, 150 Marcus Blvd., Hauppauge, New York 11788

128-7218

Free Manuals Download Website

<http://myh66.com>

<http://usermanuals.us>

<http://www.somanuals.com>

<http://www.4manuals.cc>

<http://www.manual-lib.com>

<http://www.404manual.com>

<http://www.luxmanual.com>

<http://aubethermostatmanual.com>

Golf course search by state

<http://golfingnear.com>

Email search by domain

<http://emailbydomain.com>

Auto manuals search

<http://auto.somanuals.com>

TV manuals search

<http://tv.somanuals.com>