



# XMR6910

## INSTALLATION/OWNERS MANUAL

AM/FM/CD/XM Ready Receiver with Detach Face



SATELLITE  
RADIO

An optional XM Satellite Radio Receiver may be connected to the XMR6910. XM subscription is required for reception. For more information, visit XM's website at [www.xmradio.com](http://www.xmradio.com) or call 1-877-XMRADIO. Not available in Alaska or Hawaii.





## Preparation

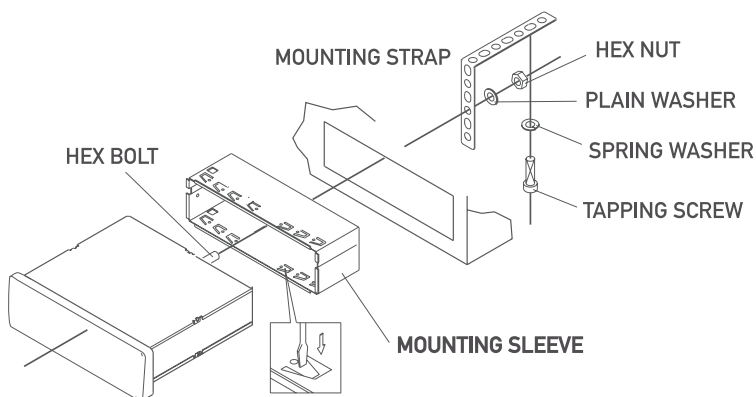
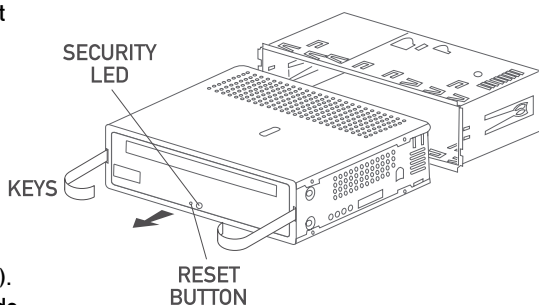
Please read entire manual before installation.

### Before You Start

- Disconnect negative battery terminal. (consult a qualified technician for instructions)
- Avoid installing the unit where it would be subject to high temperatures, such as from direct sunlight, or where it would be subject to dust, dirt or excessive vibration.

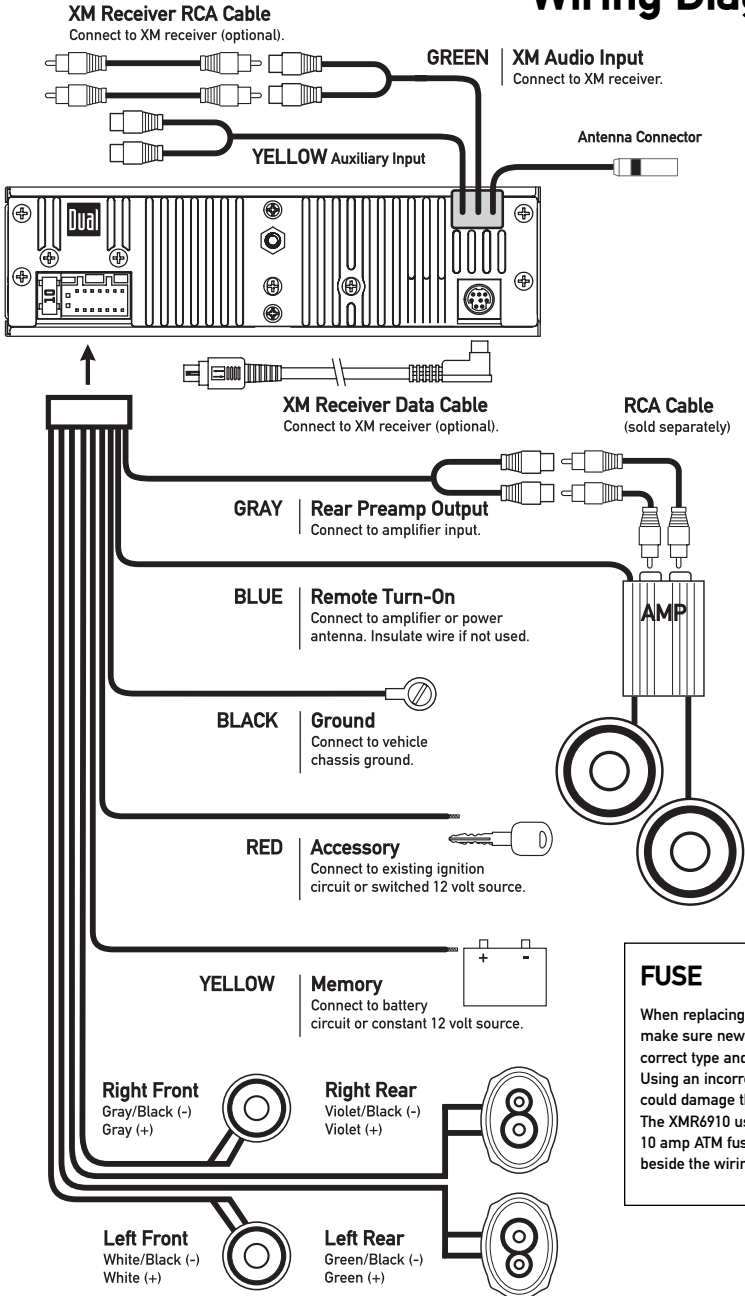
### Getting Started

- Remove 2 transit screws located on top of the unit.
- Insert the supplied keys into the slots as shown, and slide the unit out of the mounting sleeve.
- Install mounting sleeve into opening, bending tabs to secure.
- Connect wiring harness and antenna. (consult a qualified technician if you are unsure)
- Certain vehicles may require an installation kit and/or wiring harness adapter (sold separately).
- Test for correct operation and slide into mounting sleeve to secure.
- Snap trim ring into place.



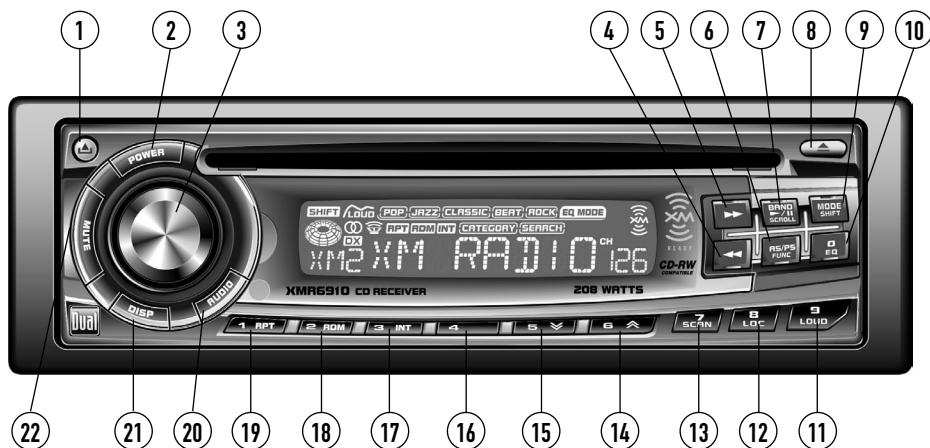
### TYPICAL MOUNTING METHOD

# Wiring Diagram





## Control Locations



- |                                   |                             |
|-----------------------------------|-----------------------------|
| 1 Release                         | 12 Local/Distance/*Preset 8 |
| 2 Power                           | 13 AM/FM Scan/*Preset 7     |
| 3 Volume                          | 14 Preset 6/Category Up     |
| 4 Tune/Track Down                 | 15 Preset 5/Category Down   |
| 5 Tune/Track Up                   | 16 Preset 4                 |
| 6 Auto Store/Preset Scan/Function | 17 Preset 3/Intro           |
| 7 Band/Pause/Scroll               | 18 Preset 2/Random          |
| 8 Eject                           | 19 Preset 1/Repeat          |
| 9 Mode/Shift                      | 20 Audio                    |
| 10 EQ/*Preset 10                  | 21 Display                  |
| 11 Loudness/*Preset 9             | 22 Mute                     |



An optional XM Satellite Radio Receiver may be connected to the XMR6910. XM subscription is required for reception. For more information, visit XM's website at [www.xmradio.com](http://www.xmradio.com) or call 1-877-XMRADIO. Not available in Alaska or Hawaii. \*Presets 7-10 apply to XM Radio operation only.



## General Operation

<b>Faceplate Removal</b>	Press <b>RELEASE</b> and pull away from the left side to remove. To re-install, insert right side of faceplate first then push left side to secure.
<b>Semi-permanent Faceplate Installation</b>	Remove trim ring and install supplied Phillips head #1 screw through left side of mounting frame into faceplate.
<b>Power On/Off</b>	Press <b>POWER</b> or any other button (except eject) to turn the unit on. Inserting a disc will turn the unit on automatically. Press <b>POWER</b> to turn the unit off.
<b>Mode</b>	Press <b>MODE</b> to select between AM/FM, *XM Radio, CD and auxiliary input. Modes of operation are indicated in the display.  *Optional XM Satellite Radio Receiver and subscription required for XM Radio operation.
<b>Volume</b>	Adjust volume using rotary encoder (00-46).
<b>Programmable Turn-On Volume</b>	Press and hold <b>POWER</b> for 3 seconds to program currently selected volume level. "ON VOL" and the current volume level will momentarily appear in the display.
<b>Shift Function</b>	Press <b>SHIFT</b> for 2 seconds to activate the <b>SHIFT</b> function. The <b>SHIFT</b> icon will appear in the display. In XM Radio mode, the <b>SHIFT</b> function must be active to access the <b>LOUDNESS</b> and <b>EQ</b> functions.  Press <b>SHIFT</b> again for 2 seconds to cancel.  Note: The <b>SHIFT</b> function only applies to XM Radio operation.
<b>Loudness</b>	Press <b>LOUD</b> to activate and deactivate loudness contour curve. Activating this feature will enhance the bass and treble frequencies when listening to music at low volumes.
<b>Preset EQ Curves</b>	Press <b>EQ</b> to select between POP, JAZZ, CLASSIC, BEAT, ROCK and OFF (default) equalization curves. Any adjustment to the Bass or Treble settings automatically cancels the current EQ curve (if one is selected).



## General Operation

<b>Display</b>	<p>When in AM/FM, CD or AUX mode: Press <b>DISP</b> to select between clock and radio frequency (tuner mode), clock and CD elapsed time/track (CD mode), or clock and AUX (AUX mode).</p> <p>When in XM Radio mode: Press <b>DISP</b> to select between channel name, artist name, song title or clock.</p>
<b>Set the Clock</b>	<p>With the unit on, press and hold <b>DISP</b> until clock begins to flash, then release. Press <b>TUNE</b> ◀◀ to adjust the hours and <b>TUNE</b> ▶▶ to adjust the minutes. Press <b>DISP</b> momentarily to save the selected time.</p>
<b>12/24-hour Clock</b>	<p>The clock will display 12-hour time in U.S. frequency spacing mode (PM 10:00). In European frequency spacing mode, the clock will display 24-hour time (22:00).</p>
<b>Programmable Display Priority</b>	<p>In AM/FM tuner mode, press and hold <b>DISP</b> then press <b>TUNE</b> ▶▶ to select function priority display. "FREQ" will momentarily appear in the display. Note: "FUNC" will appear in XM, CD or AUX modes. Radio frequency (tuner mode), XM information (XM mode), CD elapsed time/track (CD mode) or AUX (AUX mode) will be displayed by default. Clock is accessed by pressing <b>DISP</b> momentarily.</p> <p>Press and hold <b>DISP</b> then press <b>TUNE</b> ◀◀ to select time display priority. "TIME" will momentarily appear in the display. Clock will be displayed by default. Radio frequency, XM information, CD elapsed time/track or AUX is accessed by pressing <b>DISP</b> momentarily. Time display priority is not available in XM DIRECT band.</p>
<b>Programmable Clock Priority</b>	<p>Programs unit to display clock/no clock when unit is off. Press and hold <b>MODE</b> then press <b>PRESET 1</b> to select clock priority on/off.</p>
<b>Reset</b>	<p>Press and hold for more than 2 seconds to <b>RESET</b> the unit upon initial installation or if abnormal operation occurs. The reset button is located behind the faceplate.</p>

## General Operation

<b>Audio</b>	Press <b>AUDIO</b> to select between Volume (default), Bass, Treble, Balance & Fader.
<div style="border: 1px solid black; padding: 5px; display: inline-block;">       → VOL → BAS → TRE → BAL → FAD →     </div>	
<b>Bass</b>	Press <b>AUDIO</b> until <b>BAS</b> appears Rotate encoder left/right to adjust (+6 maximum / -6 minimum)
<b>Treble</b>	Press <b>AUDIO</b> until <b>TRE</b> appears Rotate encoder left/right to adjust (+6 maximum / -6 minimum)
<b>Balance</b>	Press <b>AUDIO</b> until <b>BAL</b> appears Rotate encoder left/right to adjust (BAL L 12-BAL 00-BAL R 12) BAL 00 represents equal balance
<b>Fader</b>	Press <b>AUDIO</b> until <b>FAD</b> appears Rotate encoder left/right to adjust (FAD F 12-FAD 00-FAD R 12) FAD 00 represents equal fader
<b>Source Audio Memory</b>	Individual Bass and Treble settings are retained in memory for AM, FM, XM, CD, and AUX modes. This allows you to save the Bass and Treble settings separately for each mode.  Example: FM tuner mode can have Bass +3 and Treble -1 while CD mode can have Bass +2 and Treble +2.  Note: Any adjustment to the Bass or Treble settings automatically cancels the current EQ curve (if one is selected).
<b>Confirmation Beep</b>	Press <b>AUDIO</b> for 3 seconds to turn confirmation beep on/off.
<b>Mute</b>	Press <b>MUTE</b> to silence the audio. "MUTE" will flash in the display. Press <b>MUTE</b> again to cancel.



## AM/FM Tuner Operation

<b>Seek Tuning</b>	Press <b>TUNE</b> ◀◀ or <b>TUNE</b> ▶▶ momentarily to seek the next strong station.
<b>Manual Tuning</b>	Press <b>TUNE</b> ◀◀ or <b>TUNE</b> ▶▶ for more than 2 seconds, then release. "MANUAL" will momentarily appear in the display. Press <b>TUNE</b> ◀◀ or <b>TUNE</b> ▶▶ momentarily to move radio frequency up or down one step at a time. Press and hold to advance quickly. If tuning is not adjusted for 5 seconds, the unit will return to seek tuning mode (default). "AUTO" will momentarily appear in the display.
<b>Scan Tuning</b>	Press <b>SCAN</b> to preview strong stations on the current band, pausing for 5 seconds at each. Press <b>SCAN</b> again to cancel.
<b>Local/Distance</b>	Press <b>LOC</b> to activate local tuning for strong station reception only. Press <b>LOC</b> again to cancel and resume Distance tuning (default).
<b>Band</b>	Press <b>BAND</b> to select between FM1, FM2, FM3 and AM1, AM2 bands.
<b>Frequency Spacing</b>	Press and hold <b>BAND</b> then press <b>TUNE</b> ◀◀ to select European frequency spacing. Press and hold <b>BAND</b> then press <b>TUNE</b> ▶▶ to select U.S. frequency spacing (default).
<b>Storing and Recalling Station Presets</b>	<p>Up to 18 FM stations and 12 AM stations can be stored. To store a station, select the desired band and station. Press and hold the desired preset button (1-6) for more than 2 seconds. When stored, the preset number will appear in the display. The station can be recalled anytime by pressing the corresponding preset button.</p> <p>Note: Presets 7, 8, 9 and 0 apply to XM Radio operation only.</p>
<b>Automatically Store Stations</b>	Press <b>AS/PS</b> for more than 2 seconds to automatically store the six strongest stations in the current band. Automatic Local/Distance is activated during the initial band scan.
<b>Preset Scan</b>	Press <b>AS/PS</b> for less than 2 seconds to scan presets 1-6 on the current band, pausing for 5 seconds at each. Press <b>AS/PS</b> again to cancel.





## XM Radio Activation

### Activating Your XM Receiver (Optional)

1. Press **MODE** to select XM Radio.
2. Verify channel 1 (XM Preview Channel) is playing.
3. Select Channel 0. The XM receiver's eight character Radio ID number will appear on the XMR6910 display.  
The Radio ID number is also located on the top of the XM receiver unit.
4. Record the number here for future reference:

--	--	--	--	--	--	--	--

5. Activate your XM Satellite Radio service.  
To subscribe, log onto <http://www.xmradio.com/activation> or call 1-800-852-9696.

#### Note:

You will need to keep your XMR6910 turned on for at least one hour after requesting activation to receive the full channel line-up.

## XM Radio - Operation

### Tuning Modes

Press **BAND** to select between XM DIRECT, XM1 and XM2 bands.

### Basic Channel Selection

Press **TUNE** ◀◀ or **TUNE** ▶▶ momentarily to select the next available channel. Press and hold to advance quickly.

### Direct Channel Selection

Press **BAND** to select XM DIRECT channel entry band. "DIRECT" will momentarily appear in the display. Enter the desired channel using preset buttons (1-0), then press **FUNC** for 3 seconds to confirm the selected channel. If the channel is not available, "CH ---" will momentarily appear in the display and the current channel will be retained.

### Category Recall

Press **FUNC** once to display the category of the currently selected channel for 10 seconds. The CATEGORY icon will appear on the display.



## XM Radio Operation

### Channel Search by Category

Press **FUNC** once, the **CATEGORY** icon will appear on the display. Press  $\wedge$  or  $\vee$  to choose a different category, then press **TUNE**  $\blacktriangleleft$  or **TUNE**  $\blacktriangleright$  to choose a channel within that category. Press **FUNC** for 3 seconds to select the desired channel. If you do not select a channel, the channel search will time out after several seconds and the current channel will be retained.

### Channel Search by Name

Press **FUNC** twice, the **SEARCH** icon will appear on the display. Use the rotary encoder to select characters A-Z. Press preset #6 to enter each character or preset #5 to clear the entry. Press **FUNC** for more than 3 seconds to begin the channel name search. If the search results are not valid, "NOTFOUND" will momentarily appear on the display and current channel will be retained.

### Storing and Recalling Preset Channels

Up to 20 XM channels can be stored. To store a channel, select XM1 or XM2 band and the desired channel. Press and hold the desired preset button (1-0) for more than 2 seconds. When stored, the preset number will momentarily appear in the display. The channel can be recalled anytime by pressing the corresponding preset button.

Note:

Presets 7, 8, 9 and 0 apply to XM Radio operation only. **SHIFT** function must be disabled - see page 5 for details.

### Display Options

Press **DISP** to select between the following display options:

→ Channel Name → Artist Name → Song title → Clock

The selected display option will be retained in memory (when changing channels for instance).

Example: If Artist Name is selected, and the channel is changed, the Artist Name will be shown for the newly selected channel.

### Text Scrolling

Press **SCROLL** for more than 3 seconds to activate continuous text scrolling. The current channel name, artist name or song title will scroll continuously (if more than 8 characters). Press **SCROLL** for more than 3 seconds again to cancel continuous text scrolling.



## CD Player Operation

<b>Insert CD</b>	With the label facing up, insert a standard size CD into the CD slot. The CD will automatically begin playback.
<b>Eject CD</b>	Press <b>EJECT</b> to eject the CD. The unit will change to previous mode of operation (AM, FM, XM or auxiliary input). If the disc is not removed within 10 seconds, the unit will reload the disc. The unit does not have to be turned on to eject CD.
<b>Track Select</b>	Press <b>TRACK ►►</b> to skip to the beginning of the next track. Press <b>TRACK ◄◄</b> to return to the beginning of the current track. Pressing <b>TRACK ◄◄</b> again skips to the beginning of the previous track.
<b>Fast Forward and Reverse</b>	Press and hold <b>TRACK ►►</b> or <b>TRACK ◄◄</b> to fast forward or reverse a track.
<b>Pause</b>	Press <b>►/  </b> to temporarily stop CD playback. Press <b>►/  </b> again to resume playback.
<b>Intro</b>	Press <b>INT</b> to play the first 10 seconds of each track. Press <b>INT</b> again to cancel.
<b>Repeat</b>	Press <b>RPT</b> to continuously repeat selected track. Press <b>RPT</b> again to cancel.
<b>Random</b>	Press <b>RDM</b> to play all tracks in random order. Press <b>RDM</b> again to cancel. Random mode is retained in memory when selecting between AM/FM, XM, CD player and auxiliary input modes and when the unit is turned on/off.
<b>CD-R/CD-RW Compatibility</b>	Some CD-Rs and CD-RWs may be incompatible with this unit, depending on media type and recording method.



## Limited One-Year Warranty

This warranty gives you specific legal rights. You may also have other rights which vary from state to state.

Dual Electronics Corp. warrants this product to the original purchaser to be free from defects in material and workmanship, under normal conditions, for a period of one year from the date of the original purchase.

Dual Electronics Corp. agrees, at our option, during the warranty period, to repair any defect in material or workmanship or to furnish an equal new or renewed product in exchange without charges, subject to verification of the defect or malfunction and proof of the date of purchase.

During the One-Year Warranty Period: For One Year from the date of purchase, your product will be replaced with a new, renewed or comparable product (whichever is deemed necessary) if it becomes defective or inoperative. This is done without charge to you. Replacement products are warranted for the balance of the original warranty period.

**Who is covered?** This warranty is extended to the original retail purchaser for products purchased and used in the U.S.A.

**What is covered?** This warranty covers all defects in material and workmanship in this product. The following are not covered: installation/removal costs, damage resulting from accident, misuse, abuse, neglect, product modification, improper installation, incorrect line voltage, unauthorized repair or failure to follow instructions supplied with the product, or damage occurring during return shipment of the product.

### What to do?

#### If purchased within the USA:

1. Before you call for service, check your operating instruction booklet. A slight adjustment of any custom controls discussed in your instruction booklet may save you a service call.
2. If you require service during the warranty period, you must carefully pack the product (preferably in the original package) and ship it by prepaid transportation with proof of the purchase date from the retailer to the Return Center address listed below.
3. Please describe your problem in writing and include your name, a return UPS shipping address (P.O. Box not acceptable), and a daytime phone number with your shipment.
4. DUAL will pay the return shipping charges if the product is returned to an address within the 48 contiguous states.

Dual Electronics Corp.  
Attn: Returns Center  
21318 64th Ave. South  
Kent, WA 98032 U.S.A.  
Toll Free: 1-866-626-7863

#### If purchased outside the USA:

Please return the unit to original place of purchase for warranty service.

**Exclusion of Certain Damages:** This warranty is exclusive and in lieu of any and all other warranties, expressed or implied, including without limitation the implied warranties of merchantability and fitness for a particular purpose and any obligation, liability, right, claim or remedy in contract or tort, whether or not arising from the company's negligence, actual or imputed. No person or representative is authorized to assume for the company any other liability in connection with the sale of this product. In no event shall the company be liable for indirect, incidental or consequential damages.



## Specifications

<b>CD Player</b>	Signal-to-noise: <b>&gt;92dB</b> Frequency response: <b>10Hz-20kHz</b> Channel separation @ 1kHz: <b>&gt;65dB</b> D/A converter: <b>1 Bit</b>
<b>FM Tuner</b>	Tuning range: <b>87.5MHz-107.9MHz</b> Usable sensitivity: <b>8.5dBf</b> 50dB quieting sensitivity: <b>10dBf</b> Stereo separation @ 1kHz: <b>40dB</b> Frequency response: <b>30Hz-13kHz</b>
<b>AM Tuner</b>	Tuning range: <b>530kHz-1710kHz</b> Usable sensitivity: <b>22uV</b> Frequency response: <b>30Hz-2.2kHz</b>
<b>General</b>	Total power output: <b>208 Watts Peak</b> Power output: <b>52Wx4 @ 4 ohms, 14.4 VDC</b> Operating voltage: <b>11-16 VDC, negative ground</b> Speaker output impedance: <b>4~8 ohms</b> Line output voltage: <b>2 Volts</b> Dimensions: <b>7" x 7" x 2" (178 x 178 x 51 mm)</b>

Design and specifications subject to change without notice.



## Troubleshooting - General

Problem	Cause	Action
<b>Unit will not turn on (no power)</b>	Yellow wire not connected or incorrect voltage	Check connections for proper voltage (11~16VDC)
	Red wire not connected or incorrect voltage	
	Black wire not connected	Check connection to ground
	Fuse blown	Replace fuse
<b>Unit has power (but no sound)</b>	Speaker wires not connected	Check connections at speakers
	One or more speaker wires touching each other or touching chassis ground	Insulate all bare speaker wires from each other and chassis ground
<b>Unit blows fuses</b>	Yellow or red wire touching chassis ground	Check for pinched wire
	Speaker wires touching chassis ground	Check for pinched wire
	Incorrect fuse rating	Use fuse with correct rating
<b>Excessive skipping</b>	Unit is not mounted correctly or backstrap is not secure	Check mounting sleeve and backstrap support
	Physical defect in media (CD, CD-R or CD-RW)	Check media for scratches
<b>ER-1 appears on display</b>	Mechanism error	Press eject or RESET
<b>ER-2 appears on display</b>	Servo error or disc is in upside down	Press eject or RESET
<b>Unit will not accept a disc</b>	CD mechanism position out of alignment	Press EJECT for 3 seconds to reset CD mechanism position
	CD transit screws still in place	Remove 2 transit screws located on top of the unit



## Troubleshooting - XM Radio

Problem	Cause	Action
You can not receive any XM channels	Your XM Radio receiver is not activated	Contact XM as described on page 9
You can not tune into a specific XM channel	You may not be authorized to receive that channel	Verify your subscription with XM Contact XM as described on page 9
NO SIGNAL appears on display	The XM signal is blocked	Move vehicle from obstructed area (such as inside a tunnel or a garage)
ANTENNA appears on display	This message may appear when driving inside a tunnel or under obstacles	Make sure the antenna has a clear view of the sky
	The XM antenna is not connected	Check XM antenna connection
OFF AIR appears on display	The antenna cable is damaged	Check for pinched or cut antenna cable
	The selected channel is not in service	Try another channel
No song title or artist name is displayed	This information may not be available for some music channels, news channels, or when there is no song playing	This condition is normal, there is nothing wrong with your receiver
CH --- appears on display	Selected channel is not available	This condition is normal, there is nothing wrong with your receiver



Dual Electronics Corp.  
21318 64th Ave. South  
Kent, WA 98032  
Toll Free: 1-866-626-7863

[www.dualav.com](http://www.dualav.com)  
[www.xmradio.com](http://www.xmradio.com)

©2004 Dual Electronics Corp. All rights reserved.  
The XM name and related logos are trademarks of XM Satellite Radio Inc.  
NSA0904-V01



## Free Manuals Download Website

<http://myh66.com>

<http://usermanuals.us>

<http://www.somanuals.com>

<http://www.4manuals.cc>

<http://www.manual-lib.com>

<http://www.404manual.com>

<http://www.luxmanual.com>

<http://aubethermostatmanual.com>

Golf course search by state

<http://golfingnear.com>

Email search by domain

<http://emailbydomain.com>

Auto manuals search

<http://auto.somanuals.com>

TV manuals search

<http://tv.somanuals.com>