

XEROX[®]

User's Guide

XR6 Series **LCD Monitor**



©2005 by Xerox Corporation. All rights reserved.

Copyright protection claimed includes all forms and matters of copyrightable material and information now allowed by statutory judicial law or hereinafter granted, including without limitation, material generated from the software programs which are displayed on the screen such as icons, screen displays, looks, etc.

XEROX® and all Xerox product names mentioned in this publication are trademarks of XEROX CORPORATION. Other company trademarks are also acknowledged.

Changes are periodically made to this document. Changes, technical inaccuracies, and typographic errors will be corrected in subsequent editions.

Table of Contents

CE Marking Declaration Of Conformity	4
Federal Communications Commission (FCC) Statement	5
Important Safety Instructions	6
1 Introduction	
Features	9
Package Contents	10
Front View and Controls.....	11
2 Installation	
Connecting Your LCD Monitor to a Computer	12
Method 1 : Analog (D-SUB) Connection	12
Method 2 : Digital (DVI) Connection)(XR6-19Dw only)	14
Installing Your LCD Monitor.....	15
3 OSD Menu	
Using the OSD Menu	16
The OSD Options	17
The picture Options	18
The advanced Options	19
The options Options	20
The utilities Options.....	21
4 Technical Information	
Preset Mode Timing Chart.....	22
DVI Connector PIN Assignment	23
D-SUB Connector PIN Assignment	24
Plug and Play	25
Visual Inspection	25
Troubleshooting.....	26
Specifications	27
Authorized Service Centers.....	28

Recycling Place

EUROPE

When disposing of Xerox Branded Monitors in Europe, please contact one of the following three locations to make arrangements for recycling.

- Proview International (UK) Limited
30 The Avenue, Watford, Hertfordshire
WD17 4AE United Kingdom
Timothy Lo
Tel: +44 1923-248-111
Fax: +44 1923-248-222
Email: tim.lo@proview.co.uk

- PGL Europe B.V. (Proview Group Limited Rotterdam)
Satijnbloem 37,
3068 JP
Rotterdam
Hollande
David Hsieh
Tel: +31-10-238-1090
Fax: +31-10-238-1091
Email: david@proview-group.nl

- Xoal bvba
Raketstraat 100-B1130
Brussels
Mr. Leo Starckx
Tel: +32-2-702-6011
Fax: +32-2-725-2513
Email: rma@proview-repair.com
leo.starckx@proview-repair.com

ASIA

When disposing of Xerox Branded Monitors in Asia, please contact the following location to make arrangements for recycling.

- Proview Technology (ShenZhen) Co., Ltd.
North Block 21, 23# Shatoukok Free Trade Zone, ShenZhen, China.
Mr. Dennis Chang
Tel: +86-755-2526-1512
Fax: +86-755-2526-1565
Email: recycling@proview.com.cn

AMERICA

When disposing of Xerox Branded Monitors in America, please call the following location to make arrangements for recycling.

- Proview Technology, Inc. (U.S.A.)
7373 Hunt Avenue, Garden Grove, CA 92841 U.S.A.
Patrick Yen
Tel: 714-799-3865
Fax: 714-379-6290
Email: pyen@proview.net

“THIS DISPLAY UNIT IS AN ELECTRIC DEVICE WHICH MAY CONTAIN HAZARDOUS MATERIALS AND COMPONENTS, AND WHICH MUST BE DISPOSED OF AT END OF LIFE ACCORDING TO THE PROPER PROCEDURE”

CE Marking Declaration Of Conformity

This LCD monitor complies with the requirements of the EC Directive 89/336/EEC "EMC Directive" and 73/23/EEC "Low Voltage Directive" as amended by Directive 93/68/EEC. The electro-magnetic susceptibility has been chosen at a level that gives correct operation in residential areas, business and light industrial premises and small-scale enterprises, inside as well as outside of the buildings. All places of operation are characterized by their connection to the public low voltage power supply system.

Federal Communications Commission (FCC) Statement

This equipment has been tested and found to comply with the limits of a class B digital device, pursuant to Part 15 of the FCC Rules. These limits are designed to provide reasonable protection against harmful interference in a residential installation. This equipment generates, uses and can radiate radio frequency energy and, if not installed and used in accordance with the instructions, may cause harmful interference to radio communications. However, there is no guarantee that interference will not occur in a particular installation. If this equipment does cause harmful interference to radio or television reception, which can be determined by turning the equipment off and on, the user is encouraged to try to correct the interference by one or more of the following measures:

1. Reorient/Relocate the receiving antenna.
2. Increase the separation between the equipment and receiver.
3. Connect the equipment into an outlet on a circuit which is different from what the receiver is connected to.
4. Consult the dealer or an experienced radio/TV technician for help.

**CAUTION:**

Changes or modifications not expressly approved by the manufacturer responsible for compliance could void the user authority to operate the equipment.

Important Safety Instructions

To prevent any injuries, the following safety precautions should be observed in the installation, use, servicing and maintenance of this equipment.

Before operating this equipment, please read this manual completely, and keep it nearby for future reference.

Warnings



- Do not place the equipment on any uneven or unstable carts, stands, tables, shelves etc. The equipment may fall, causing serious injury to children or adults and serious damage to the equipment itself.
- Use only a cart or stand recommended by the manufacturer. This equipment and recommended cart or stand should be handled with care. Quick stops, excessive force, and uneven surfaces may cause the equipment and cart/stand to overturn.
- Do not disable the 3-wire grounding type plug. The grounding pin on the 3-prong plug is an important feature. Removing the grounding pin will increase the risk of damaging the equipment. If you can not fit the plug into the electrical outlet, contact an electrician to install a grounding outlet.
- Always operate this equipment from the type of power source indicated on the rear of the serial/model plate.
- Never overload wall outlets and extensions.
- Use and handle the power cord with care.
- Do not place any heavy objects on the AC power cord.
- Do not pull the AC power cord. Do not handle the AC power cord with a wet hand.

- Do not touch the power cord and antenna cable during lightning.
- Remove the plug from the wall outlet if the equipment will not be used for a long period of time.
- Do not place, use or handle this equipment near water.
- Never expose the equipment to liquid, rain, or moisture. Seek qualified service if any of the above is spilled into the equipment.
- Do not attempt to service the equipment yourself.
- Opening and removing the covers may expose you to dangerous voltage or other hazards and may void your warranty. Refer service to qualified personnel.
- Always remove the power cord from the outlet before cleaning the equipment.
- Never use liquid or aerosol cleaners on the equipment. Clean only with a soft dry cloth.
- Do not expose the equipment to extreme temperature or to direct sunlight, as the equipment may heat up and suffer damage.
- Do not install the equipment near any heat sources such as radiators, heat registers, stoves, or any other apparatus that might produce heat.
- Do not block any ventilating openings. Leave an open space around the equipment.
- Never place the equipment on a bed, sofa, rug, or any other similar surfaces; too close to drapes/curtains/walls, in a bookcase, built-in cabinet, or any other similar places that may cause poor ventilation.

(continued on next page)

- If any of the following conditions occur, unplug the power cord from the outlet and request service from qualified personnel.
 - a. The power cord or plug is damaged.
 - b. Liquid is spilled into the product .
 - c. An object falls onto or into the product.
 - d. The product has been dropped or damaged.
 - e. The product's display is abnormal.



DISPOSAL OF WASTE ELECTRONIC EQUIPMENT BY PRIVATE HOUSEHOLDS WITHIN THE EUROPEAN UNION

This sign indicates that this product may not be disposed of with your regular household waste. The recycling and separate collection of such products is your responsibility. Please drop off the above-mentioned waste at a designated place for recycling waste electrical and electronic equipment. If you do not know where to drop off your waste equipment for recycling, please contact your local city office or household waste collection service.

1 Introduction

Features



- **Rapid Video Response**

Fast action media such as gaming, DVD and video conferencing will playback smoothly thanks to the rapid video response time of the LCD panel.



- **High Contrast Ratio**

Colors will appear vibrant and lifelike producing superior image quality.



- **Plug-and-Play Capability**

Easy trouble-free configuration and set-up.



- **Very High Resolution**

The 19.1" wide screen has the outstanding 1440x900 resolution. It can make the image displayed more precise. XR6 series is excellent to be your first wide screen monitor.



- **Wall-Mounting Capability**

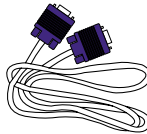
Compatible with the VESA industry standard for wall/arm mounts to save valuable desktop space.

Package Contents

Make sure all of the following contents are included in the box. If any items are missing, please return this product to the original place of purchase.



LCD Monitor



D-SUB Cable



AC
Power Cord



Quick
Guide



Warranty
Card



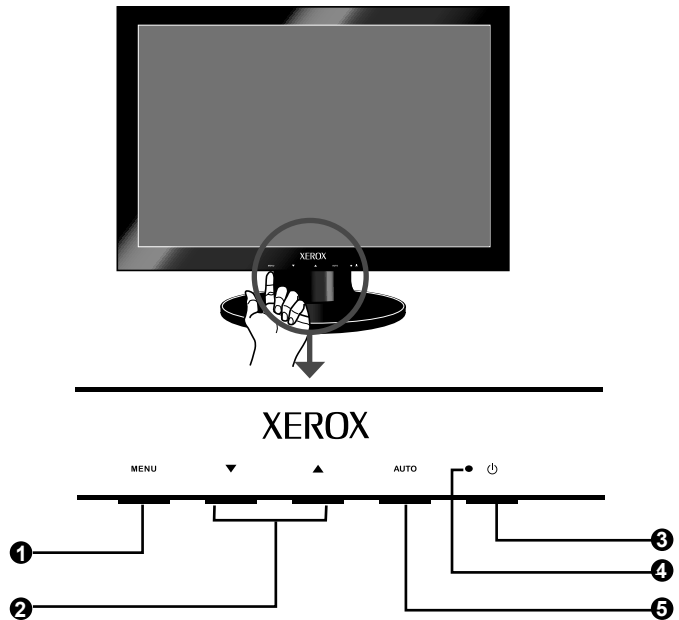
CD-ROM
(Driver/Manual)



CAUTION:

Be sure to save original box and all packing material for future transport of monitor.

Front View and Controls



1 MENU

Press once to display the OSD (On Screen Display). And press again to activate the desired setting.

2 ▼▲

In OSD mode, press the ▲/▼ buttons to select the desired menu.

3 ⏻

Turns the LCD monitor on and off.

4 LED

The LED light indicates when the LCD monitor is activated (blue light indicates power on and amber light indicates power saving).

5 AUTO

Press to automatically adjust the display settings to optimize performance based on the D-SUB signal.

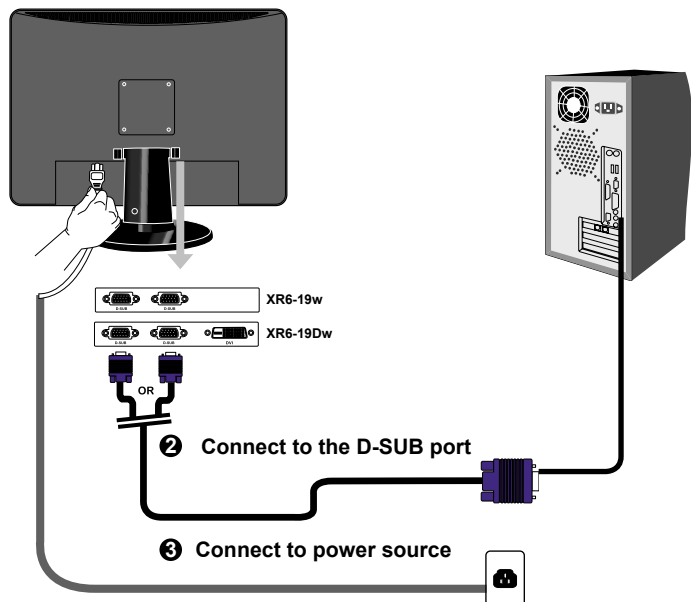
2 Installation


Refer to the owner's manual of the computer for connections. In the process of connecting external equipment, do not connect any AC power cords to wall outlets until all other connections are completed.

Connecting Your LCD Monitor to a Computer

Method 1 : Analog (D-SUB) Connection

- 1 Turn off the computer and unplug the power cable.
- 2 Connect the signal cable to the D-SUB port on the back of the computer.
- 3 Connect the power cord to the LCD monitor and wall outlet.




- 4 Press the  button, located on the bottom side of the main unit to turn the monitor on, then turn the computer on. If the monitor displays an image, the monitor is successfully installed. If no image is displayed, check all connections.

**NOTE:**

Unplug the monitor before installation to avoid electric shock or damage.


**NOTE:**

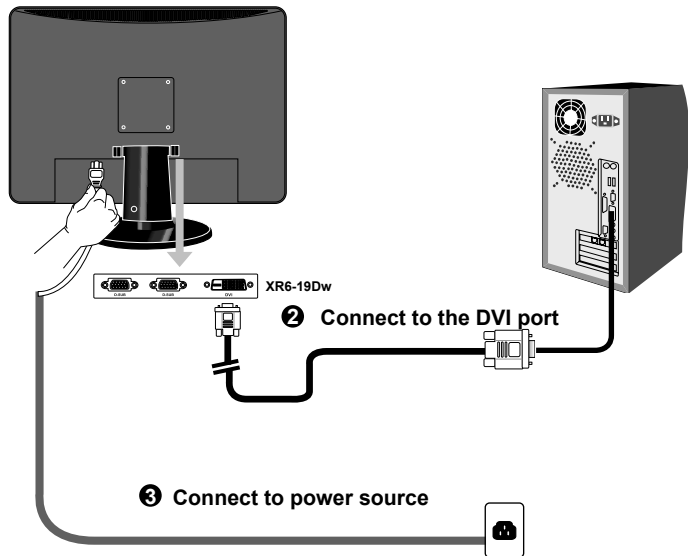
The  button is used for switching the LCD monitor on and off, it does not disconnect the device from the main voltage. To completely disconnect the main voltage, please remove the power plug from the socket.

**NOTE:**

The LED indicator is blue when the monitor operates normally and will turn to amber when in power saving mode. When the monitor is off, the LED turns dark.

Method 2: Digital (DVI) Connection (XR6-19Dw only)

- 1 Turn off the computer and unplug the power cable.
- 2 Connect the signal cable (DVI) to the DVI port on the back of the computer.
- 3 Connect the power cord to the LCD monitor and wall outlet.
- 4 Press the  button, located on the bottom side of the main unit to turn the monitor on, then turn the computer on. If the monitor displays an image, the monitor is successfully installed. If no image is displayed, check all connections.



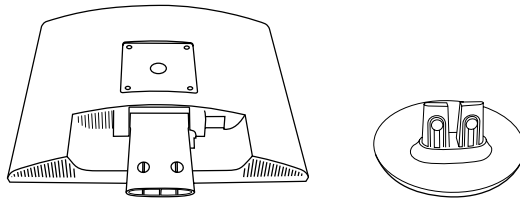
NOTE:

When the DVI and VGA input ports are connected at the same time, press down the **AUTO** button after 3 seconds to switch between the VGA mode and DVI mode.

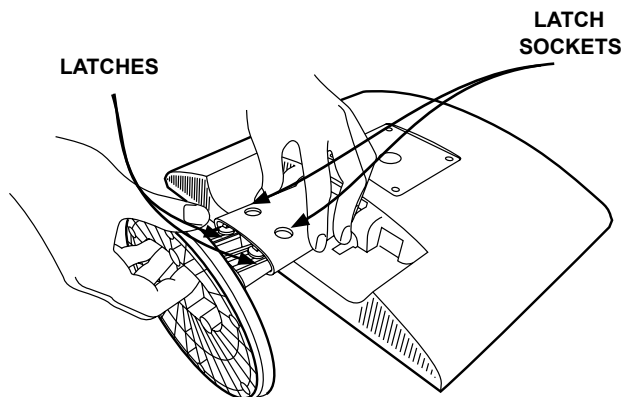
Installing Your LCD Monitor

Follow the instructions below to set up and install the monitor.

- 1** The package contains:
Display unit
Stand



- 2** Cover an even stable surface with a soft cloth. Place the unit face-down on the cloth. Fit the stand onto the bottom of the display unit as shown, then push until the two latches snap into their sockets.



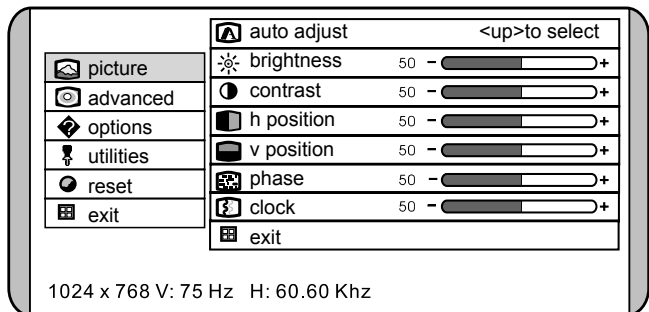
3 OSD Menu

Using the OSD Menu

To create the best picture, your XR6 series series has been preset at the factory with the Preset Mode Timing shown on page 22.

The OSD (On Screen Display) Menu allows the user to adjust various settings and options by following the steps below.

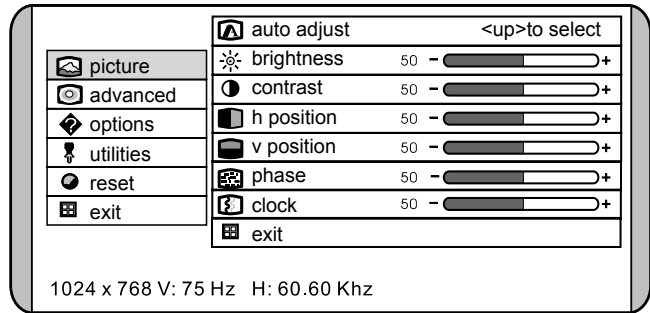
- 1 Press the **MENU** button to display the OSD. The OSD main menu provides an overview of the selection of controls available.



- 2 Press the **▲** or **▼** button to highlight the desired icon. Then, press the **MENU** button to activate the highlighted icon.
- 3 Press the **▲** or **▼** button to select the desired adjustment icon. Then, press the **MENU** button.
- 4 Press the **▲** or **▼** button to change the value of the selected item.
- 5 Select the **exit** icon to exit the OSD.
- 6 Repeat steps 1 through 4 to make further adjustments. All changes are stored immediately.

The OSD Options

The main menu includes the following options:



picture

Adjusts picture settings such as brightness, contrast.



advanced

Allows selection of the general color tint: CUSTOM COLOR, WARM, or COOL.



options

Adjusts picture settings such as H/V position, H size and phase.



utilities

Adjusts the setting of the display time of the on-screen menu. Allows selection of the language used on all the on-screen menus.



reset

Restores the factory settings.

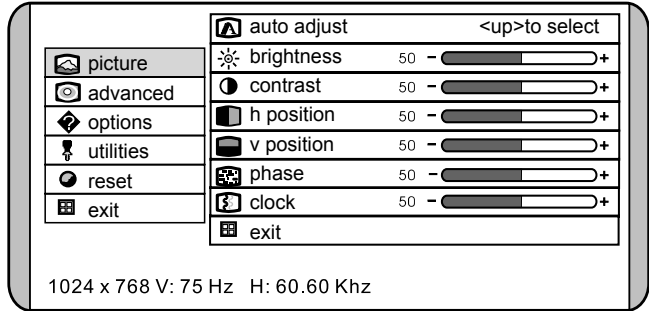


exit

Exits the on-screen menus.

The picture Menu

- 1 The picture menu provides access to the following menus:



- 2 The picture menu includes the following options:

auto adjust

Automatically adjust the display settings to optimize performance based on the D-SUB signal.

brightness

Controls the overall brightness.

contrast

Controls the difference between the brightest and darkest regions of the picture.

h. position

Adjusts the position of the picture left and right in the window.

v. position

Adjusts the position of the picture up and down in the window.

phase

Adjusts signal phase, which can improve focus clarity and image stability.

clock

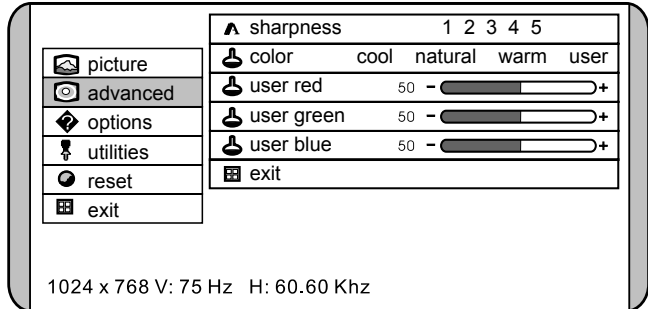
Adjusts the width of the picture.

exit

Exits the picture menu.

The advanced Menu

1 The advanced menu provides access to the following menus:



2 The advanced menu includes the following options:

▲ sharpness

Increase this setting to see crisp edges in the picture; decrease for soft edges.

👤 color

Allows selection of the general color tint: user, natural, warm, or cool.

cool

Inclines colors toward the blue end of the spectrum. Fixes the red, green and blue component levels at factory settings; they cannot be independently adjusted.

natural

Inclines colors toward the natural end of the spectrum. Fixes the red, green and blue component levels at factory settings; they cannot be independently adjusted.

warm

Inclines colors toward the red end of the spectrum. Fixes the red, green and blue component levels at factory settings; they cannot be independently adjusted.

user

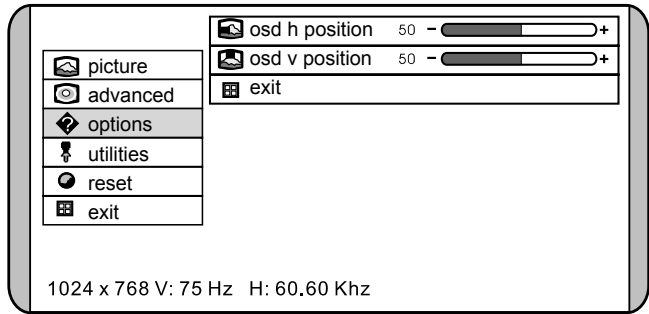
Allows the user to adjust red, green and blue color component levels independently.

🏠 exit


Exits the advanced menu.


The options Menu


1 The options menu provides access to the following menus:



2 The options menu includes the following options:

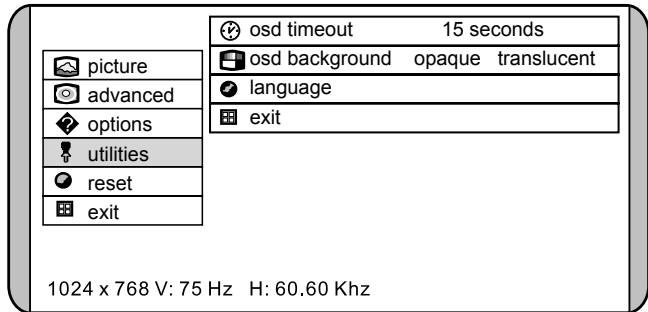
 **osd h. position**
Moves the OSD left and right in the window.

 **osd v. position**
Moves the OSD up and down in the window.

 **exit**
Exits the OSD menu.

The utilities Menu

1 The utilities menu provides access to the following menus:



2 The utilities menu includes the following options:



osd timeout

Allows selection of the display time of the on-screen menu.



osd background

Controls the translucence of the on-screen menu's background.



languages

Allows selection of the languages used on all the on-screen menus.



exit

Exits the utilities menu.

4 Technical Information

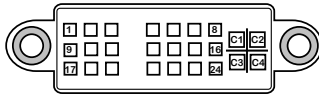
Preset Mode Timing Chart

The screen image has been optimized during manufacture for the display modes listed below.

Video signal: (IBM PC/AT)

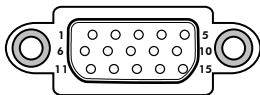
Dot X Line	Horizontal Frequency(kHz)	Vertical Frequency(Hz)
720 x 400	31.47	70.00
640 x 480	31.47	60.00
	37.86	72.80
	37.50	75.00
800 x 600	35.16	56.25
	37.88	60.30
	48.08	72.20
	46.87	75.00
1024 x 768	48.36	60.00
	56.48	70.10
	60.02	75.00
1280 x 1024	63.98	60
	79.98	75
1440 x 900	55.47	59.90
	70.64	74.98

DVI Connector PIN Assignment



PIN	DESCRIPTION	PIN	DESCRIPTION
1	TMDS Data 2-	15	GND
2	TMDS Data 2+	16	Hot Plug Detect
3	TMDS Data 2/4 shield	17	TMDS Data 0-
4		18	TMDS Data 0+
5		19	TMDS Data 0/5 shield
6	DDC Clock	20	
7	DDC Data	21	
8	Analog Vertical Sync	22	Clock shield
9	TMDS Data 1-	23	Clock +
10	TMDS Data 1+	24	Clock -
11	TMDS Data 1/3 shield	C1	Analog red
12		C2	Analog green
13		C3	Analog blue
14	+5V Power	C4	Analog

D-SUB Connector PIN Assignment



PIN	DESCRIPTION
1	Red
2	Green
3	Blue
4	Ground
5	Self Test
6	Red Ground
7	Green Ground
8	Blue Ground
9	5 VDC
10	Ground
11	Ground
12	SDA (FOR DDC)
13	H. Sync
14	V. Sync
15	SCL (FOR DDC)

Plug and Play

This monitor conforms to the VESA DDC (Display Data Channel) standard, which means that when it is used with a DDC compatible video card, the monitor is easier to set up. With VESA DDC 1/2B, when the monitor is turned on, it will automatically notify a windows 9X/2000/XP host computer of its scanning frequencies, capabilities and characteristics. Windows 9X/2000/XP will automatically recognize the presence of the monitor and select the appropriate display resolution.

Visual Inspection

Permanently unlit or lit pixels

The standard of production techniques today cannot guarantee an absolutely fault free LCD display. A few isolated permanently lit or unlit pixels may be present. The maximum permitted number of pixel faults is stipulated in the stringent international standard ISO 13406-2 (Class II).

Example:

A 17" flat-screen monitor with a resolution of 1280 x 1024 has 1280 x 1024 = 1310720 pixels. Each pixel consists of three subpixels (red, green and blue), so there are about 4 million dots in total.

According to ISO 13406-2 (Class II), a maximum of 6 pixels and 7 subpixels may be defective, i. e. a total of 25 faulted dots. This corresponds to approx. 0.002 % of the entire screen surface.


Troubleshooting

Before consulting service personnel, check the following chart for a possible cause and solution to the trouble you are experiencing.

Monitor will not turn on

- Make sure the power cord is plugged in.

No picture

- Make sure the power cord is plugged in.
- Check the signal cable connecting the LCD monitor and the computer (refer to page 12-14).
- Press the  button on the front panel of the monitor.

Poor picture or abnormal picture

- Check the D-SUB cable connecting the LCD monitor and the computer (refer to page 12-14).
- Press the **MENU** button to adjust the Brightness Contrast option in the OSD.
- Adjust the Color Select option in the OSD.
- Press the **AUTO** button on the front panel of the monitor, to automatically adjust the display mode.

Out of range message appears

- Press the **AUTO** button on the front panel of the monitor, to automatically adjust the display mode.
- Press the **MENU** button to adjust the V Position, H Position and H Size options in the OSD.
- If using Windows 9X/2000/XP, wait a few seconds; once Windows detects the problem, a dialog will appear allowing you to manually set up the video mode according to the preset mode timing chart (refer to page 22).

Specifications

MODEL		XR6-19w	XR6-19Dw
LCD Panel	Panel Size	19" w TFT LCD	19" w TFT LCD
	Brightness	300	300
	Contrast Ratio	500:1	500:1
	Dot Pitch	0.284mm x 0.284mm	0.284mm x 0.284mm
Max. Resolution		1440x900	1440x900
Input Connector		D-SUB x 1	D-SUB x 2/ DVI x 1
Power Source		AC100-240V, 50-60Hz	AC100-240V, 50-60Hz
Power Consumption		48W	48W
Dimension		457x371x210 mm	457x371x210 mm

Changes are periodically made to this specifications.
 Current specifications may also be obtained via the internet,
www.xerox-displays.com or www.xerox-displays.info

Authorized Service Centers

U.S.A.
CALIFORNIA: AUTHORIZED SERVICE CENTER
7373 HUNT AVENUE
GARDEN GROVE, CA 92841
(714) 799-3899
(800) 469-1175
(714) 379-6290 Fax
Hours: 8AM ~ 6PM - Pacific Standard Time

TEXAS: AUTHORIZED SERVICE CENTER
10849 KINGHURST SUITE # 120
HOUSTON, TX 77099
(281) 530-4100
(281) 530-4104 Fax
Hours: 8AM ~ 6PM - Central Time

EUROPE
AUTHORIZED SERVICE CENTER CONTACTS:
XOAL BVBA
RAKETSRAAT 100
B-1130 BRUSSEL BELGIUM
E-EMAIL: rma@proview-repair.com
<http://www.proview-repair.com>
Hotline: 00800 00 88 77 66
Fax: +32-2-725-2513
Hours: 10AM ~ 12PM and 2PM ~ 5PM
Monday through Friday

Free Manuals Download Website

<http://myh66.com>

<http://usermanuals.us>

<http://www.somanuals.com>

<http://www.4manuals.cc>

<http://www.manual-lib.com>

<http://www.404manual.com>

<http://www.luxmanual.com>

<http://aubethermostatmanual.com>

Golf course search by state

<http://golfingnear.com>

Email search by domain

<http://emailbydomain.com>

Auto manuals search

<http://auto.somanuals.com>

TV manuals search

<http://tv.somanuals.com>