

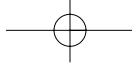
**User Guide (EN)
Guide de l'Utilisateur (FR)
Guía del Usuario (ES)
Guia do Usuário (PT)
User Guide (ZH)**

721P56290



DocuPrint P1210

**LASER PRINTER (EN)
LASER PRINTER (FR)
LASER PRINTER (ES)
LASER PRINTER (PT)
LASER PRINTER (ZH)**



Xerox Corporation
1350 Jefferson Road
Rochester, NY 14623
United States of America

Xerox Europe
Bessemer Road
Welwyn Garden City
Herts AL7 1HE
United Kingdom

©2000 Xerox Corporation. Xerox®, The Document Company®, the stylized X, DocuPrint, and the identifying product names and numbers herein are trademarks of Xerox Corporation. Xerox Canada Ltd. and Xerox Europe are licensees of all the trademarks. Copyright protection claimed includes all forms and matters of copyrightable materials and information now allowed by statutory or judicial law or hereinafter granted, including without limitation material generated from the software programs which are displayed on the screen such as icons, screen display tools, etc. Product names used in this guide may be trademarks or registered trademarks of their respective companies and are hereby acknowledged. All non-Xerox brands and product names are trademarks or registered trademarks of their respective companies.

Publication number: 721P56290

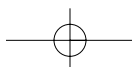


TABLE OF CONTENTS



English

Thank you for purchasing the Xerox DocuPrint P1210. In this guide you will find information essential for setting up and operating your laser printer.

TABLE OF CONTENTS

Unpacking	1-2
Printer Components	1-3
Connections	1-4
Control Panel	1-4
Cartridge Installation	1-5
Loading Paper	1-7
Installing Software	1-9
Print Driver Features	1-13
Multi-Purpose Tray Printing	1-14
Printer Specifications	1-16
Troubleshooting	1-17
Installing Memory	1-21
Getting More Information	1-23
Printer Certifications	1-24
Language Codes	1-25

EN

FR

ES

PT

ZH

UNPACKING

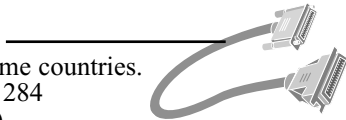
Unpacking

AC Power Cord



PC Parallel Cable

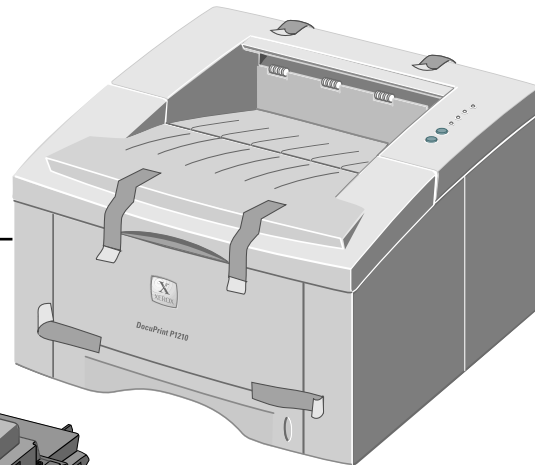
Included in some countries.
(meets IEEE 1284 specifications)



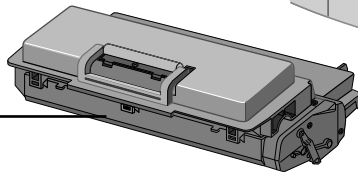
DocuPrint P1210



Note: Carefully remove any shipping tape from the printer.



Print Cartridge



CD

User Guide



Note: The DocuPrint P1210 is equipped with a parallel port for use with IBM Compatible computers (with a 100mhz Pentium or higher equivalent processor.) USB cable sold separately.

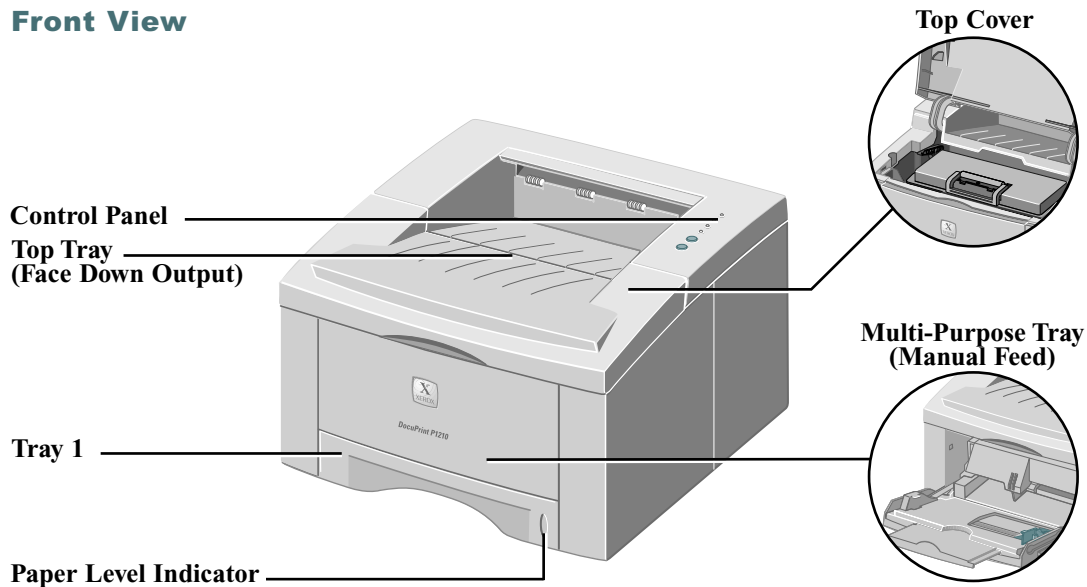


Note: Place the printer on a flat, stable surface leaving 6 inches (15cm) around the printer and 1 foot (30cm) of space in front.

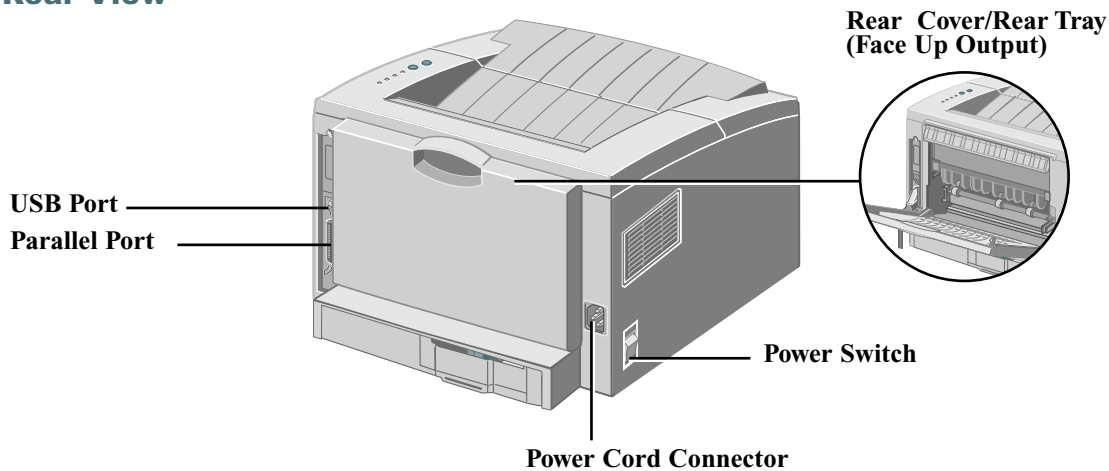
Do not place the printer in direct sunlight, near heat sources or air conditioners, in dusty or dirty environments, or near devices that contain magnets or generate magnetic fields (such as loud speakers or base units of cordless telephones.)

PRINTER COMPONENTS

Front View



Rear View



EN

FR

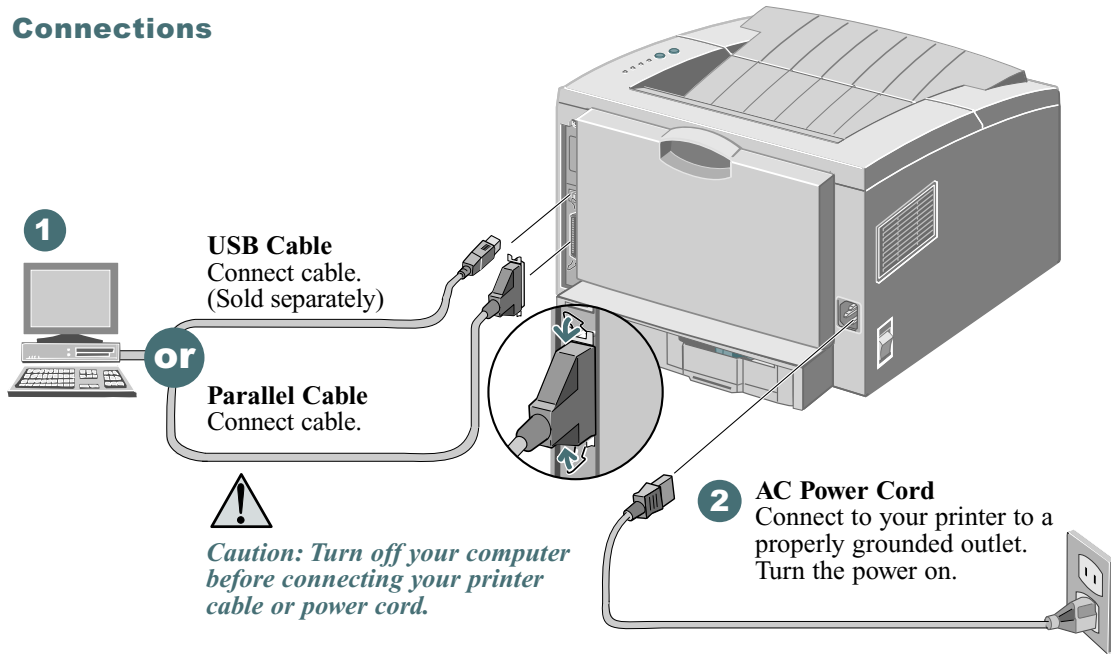
ES

PT

ZH

CONNECTIONS/CONTROL PANEL

Connections



Control Panel

Error Light

Blinking: Insufficient memory
On: Cover open, cartridge not installed or not seated properly
On with Paper Light: Paper jam

Paper Light

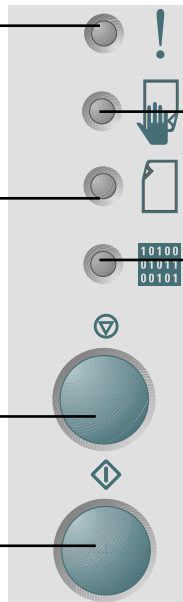
On: Out of Paper
On with Error Light: Paper jam

Cancel Button

To cancel print job, hold the cancel button until all lights blink, then release.

Print Button

To print a **Configuration Sheet**, hold the print button until all lights blink, then release.



Manual Light

On: Multi-purpose tray (manual feed) ready
Press print button to start job

Data Light

On: Ready to receive data
Slow blink: Receiving data
Fast blink: Printing



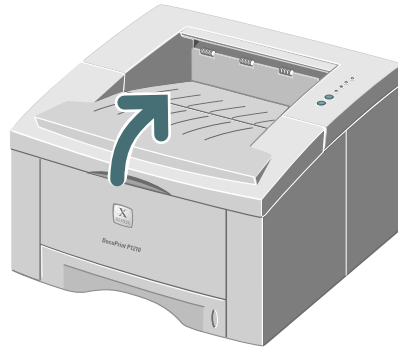
Note: When all lights are blinking, this indicates a system error. Turn the power off and then back on to clear. If problem persists, call your local Xerox Helpline.

CARTRIDGE INSTALLATION

Print Cartridge Installation

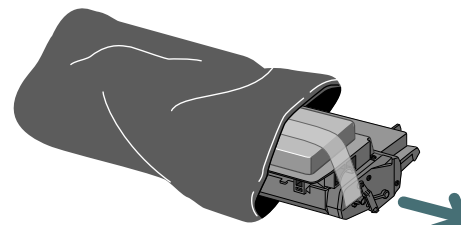
Open the top cover.

1



Remove the print cartridge from the bag.

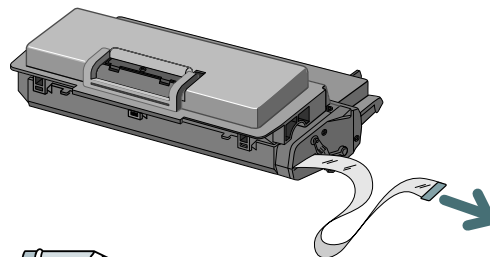
2



Note: Do not expose cartridge to direct sunlight or strong room light for more than 10 minutes.

Carefully remove the sealing tape from the print cartridge.

3



Note: Pull sealing tape completely out of the cartridge.

EN

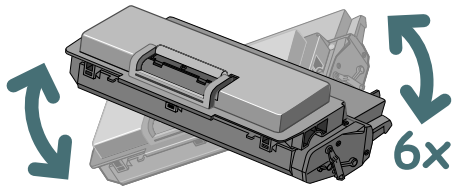
FR

ES

PT

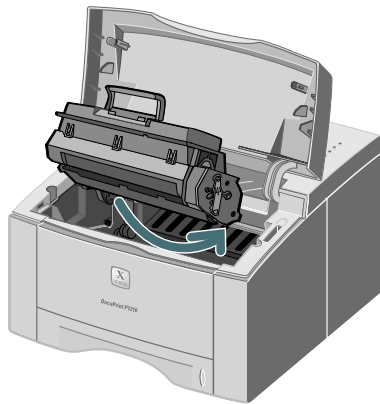
ZH

CARTRIDGE INSTALLATION



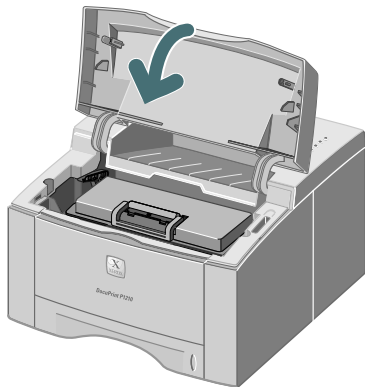
4

Shake the print cartridge from side to side to distribute the toner evenly.



5

Holding the print cartridge by the handle, insert the cartridge into the printer until it clicks into place.



6

Close the top cover securely.

LOADING PAPER

Loading Paper

Pull the paper tray out.



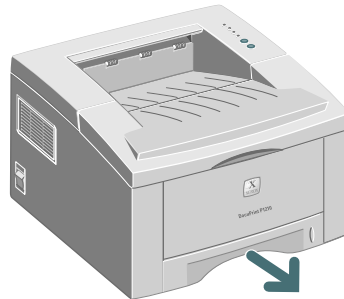
Caution: Do not remove tray while printing. This may cause paper jams.

Press the bottom plate until it locks into place.

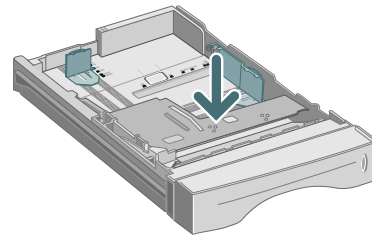
Pinch the **Rear Paper Guide** and adjust to the length of the print media.

For legal or folio size paper, press the tab down and pull the rear wall all the way out, to adjust tray length.

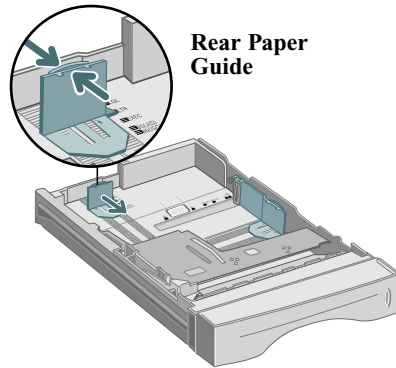
1



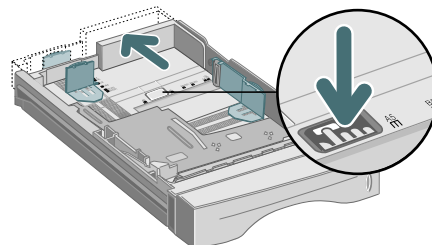
2



3



4



EN

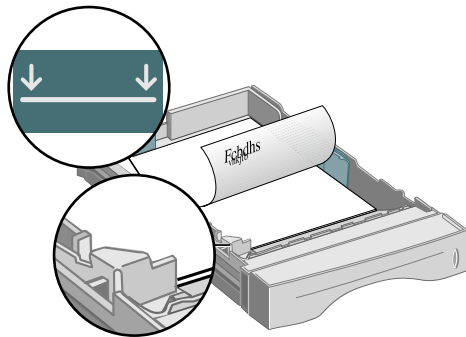
FR

ES

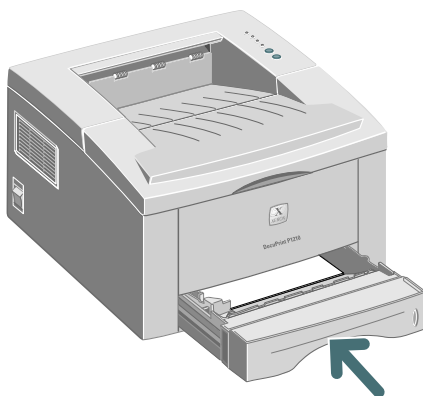
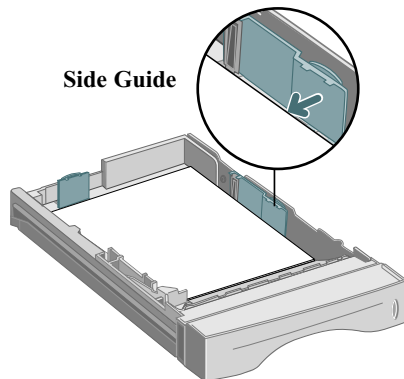
PT

ZH

LOADING PAPER



Note: Observe the maximum limit indicator. Tray holds a maximum of 250 sheets of paper.



5 Load paper. Ensure that the paper is placed beneath the metal corner guide. If using pre-printed paper, load paper with the print side facing down.

6 Adjust the **Side Guide** to lightly touch the paper.

7 Insert the tray back into the printer.

INSTALLING SOFTWARE

Installing Software

The P1210 supports many operating systems. Please go to the section which corresponds with your operating system for installation instructions.

Installation for Windows 95, 98, NT 4.0, 2000

- 1** Insert the Xerox DocuPrint P1210 CD into your CD-ROM drive. If Windows runs your CD automatically, skip to step 4.
- 2** Select Run from the Start menu.
- 3** Type d:\setup.exe (where "d" is your CD-ROM drive letter), then click OK.
- 4** Select the appropriate language.
- 5** Select the Print Driver and follow the on-screen instructions to install.
- 6** If desired, install RCP (Remote Control Panel).
- 7** If connected to the printer by a USB connection and using Windows 98, you will need to install the USB Port Driver located on the CD. Select your appropriate language, then select USB Port Driver.

You are now ready to print from your PC.



CD Contents

- Software Utilities
- Print Drivers
- Reference Guide
 - Print Media Specifications
 - Configuring the PCL Driver
 - Setting Properties
 - Driver Features
 - Using Printer Utilities
 - Solving Printing Problems



Note: RCP is a Windows-based program that allows the user to set default printer values.



Note: For Windows 98, the USB port driver must be installed in order to print to the DocuPrint P1210 via a USB connection.

EN

FR

ES

PT

ZH

INSTALLING SOFTWARE



Note: In order to print from your Macintosh to the DocuPrint P1210, you must be running OS 8.6x or higher operating system and have a USB enabled Macintosh.



CD Contents

- Print Driver
- Reference Guide
 - Print Media Specifications
 - Configuring the PCL Driver
 - Setting Properties
 - Driver Features
 - Using Printer Utilities
 - Solving Printing Problems

Installation for Macintosh

- 1** Insert the Xerox DocuPrint P1210 CD into your CD-ROM drive.
- 2** Double click the P1210 CD.
- 3** Based on the table located in the back of this guide, select your appropriate language code (ie. "EN" for English).
- 4** Click on the folder **Installer**, and double click the P1210 installer icon.
- 5** Click **Continue** then **Install** to install the print driver.
- 6** After the driver is installed, select **Quit** to finish installation or select **Continue** to install the PostScript Printer Descriptions.
- 7** Go to the **Chooser**. Select the Xerox DocuPrint icon and then select **DocuPrint P1210** in the scroll window. Close the **Chooser**.

You are now ready to print to your DocuPrint P1210 from your Macintosh.

INSTALLING SOFTWARE

Linux Installation

- 1** Log in to Linux as Super User (root) account.
- 2** Insert the Xerox DocuPrint P1210 CD into the CD-ROM drive.
- 3** Open a terminal window.
For Gnome interface users, (Utilities → GNOME terminal.)
- 4** Mount your CD-ROM and run a script file:

```
mount -t iso9660 /dev/cdrom /mnt/ cdrom  
cd /mnt/cdrom/en/linux  
./install.sh
```
- 5** Setup your print driver using printtool.
 - Run the printtool program.
Run program... → printtool, select Run.
If you get an error message, regarding ncpfs, click Ignore to continue installing a local printer.
 - From the RedHat Linux Print System Manager, select Add, Printer type: Check mark Local printer, then click OK.
 - An Auto-detection device dialogue box should indicate that /dev/lp0 is "Detected". click OK.
 - The Edit Local Print Entry dialogue box should appear. Use the defaults, click Select.
 - For printer type, select Xerox DocuPrint Series PCL5e Compatible, click OK.



Note: these instructions are a guide to installing the PCL5e driver for Linux. The Linux driver installation script supports RedHat 6.0 or greater.

EN

FR

ES

PT

ZH

INSTALLING SOFTWARE



Note: The P1210 is dependant upon the native driver shipping with your Linux RedHat OS. Therefore, the features and functions listed in the table on the next page may not all be available.

- On Edit Local Printer Entry dialogue box, click OK.

6 At the end of installation, close RedHat's printtool by clicking "X" in the upper right hand corner of the windows.

Your Xerox Printer will be the default printer (lp) for printing. If printing a postscript (.ps) file, use the lpr command to print. For instance, if a print command for readme.pdf generates a readme.ps file, open a terminal window and type "lpr readme.ps" in order to print this file.

PRINT DRIVER FEATURES

PCL Print Driver Features

	Properties	Usage /Description	Windows*	Mac
Paper	Number of Copies	Select 1-999 copies	★	★
	Paper Size	Select from supported paper sizes (See "Printer Specifications").	★	★
	Paper Source	Select Printing from Tray 1, MP Tray or Tray 2 (if installed).	★	★
	Paper Type	Select from Plain paper, Bond, Transparency, Card stock, Preprinted, Colored paper, Envelope	★	★
Image Quality	Image Quality	Select enhancement setting for graphical and/or text printing.	★	★
	True Type Fonts	Select font printing.	★	
	Toner Saver	Select for draft mode printing.	★	
	Graphics Mode	Select vector or raster mode.	★	
Page Layout	Page Orientation	Select Portrait or Landscape.	★	★
	Manual 2 Sided printing	Print two-sided documents.	★	
	Multiple Up (Win)/ Layout (Mac)	Select 1-16 (Windows) or 1-4 (Mac) images per physical page.	★	★
	Booklet Printing	Create booklets from documents.	★	
	Poster Printing	Create posters from documents.	★	
	Fit to Page (Win)/ Scaling (Mac)	Adjust image to fit to page size.	★	★
	Watermarks	Create and use watermarks on documents.	★	★ [†]



Note: Refer to the Reference Guide on your CD for more information.

**These features can be located under the Properties tab of your Print Menu.*

†The watermark feature for Macintosh can be located under Page Setup.

EN

FR

ES

PT

ZH

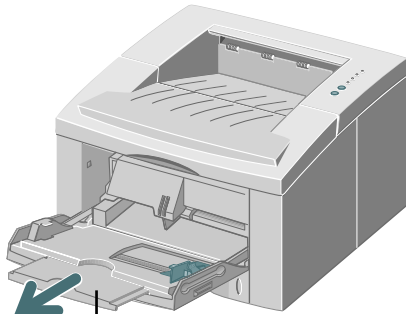
MULTI-PURPOSE TRAY PRINTING



Note: When printing on certain envelopes, heavier weight papers, transparencies, or paper labels, manually feed them one at a time through the Multi-Purpose tray.

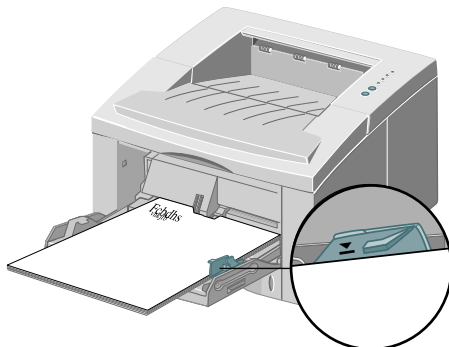

1

Pull open the Multi-Purpose Tray (front panel).


2

Pull out the **Multi-Purpose Tray Extension**.

Multi-Purpose Tray Extension


3

Load print media against the left edge of the tray then slide the width guide on the right against the print media. Observe the maximum limit indicator. Do not overload tray.

MULTI-PURPOSE TRAY PRINTING

Load envelopes, with the flap down, against the left edge of the tray then slide the width guide on the right against the envelopes.

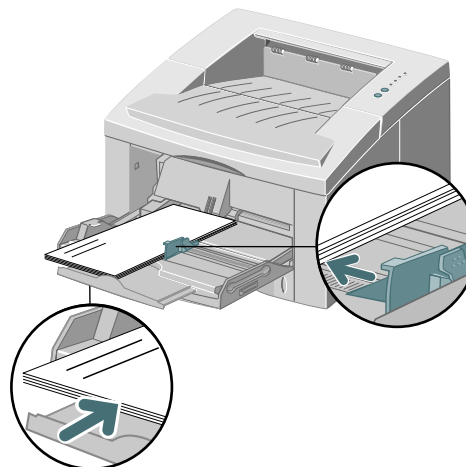
4



Note: You can stack up to 100 sheets of paper or 10 envelopes for automatic feeding.



Caution: Never use envelopes with clasps, snaps, windows, coated linings, or self-stick adhesives. These envelopes may severely damage the printer. Do not feed stamped envelopes through the printer.



When printing on special media, open the rear output tray cover and pull out the paper support extension.

5



When you finish printing from the Multi-Purpose Tray, push the support extensions back in and close both covers.

6

EN

FR

ES

PT

ZH

PRINTER SPECIFICATIONS

Printer Specifications

Item	Specification and Description
Print Speed	Up to 12ppm (A4/Letter)
Resolution	True 600 x 600 dpi; 1200 dpi Resolution (Windows)
Output Capacity	Face Down: 250 Sheets, Face Up: 100 Sheets
Input Capacity	Tray 1: 250 sheets of paper (16 to 28lbs/60 to 105gsm) MP Tray: 100 sheets of paper (16 to 53lbs/60 to 199gsm) or 10 envelopes Option Tray 2: 550 sheets of paper (16 to 28lbs/60 to 105gsm)
Power Rating	AC100~128V/200V~240V, 50/60Hz
Acoustic Noise	Standby: Less than 39dB; Operating: Less than 49dB
Operating Environment	Temperature: 10~30°C/ 50~90°F; Humidity: 20~80%RH
Weight	14.9 Kg/ 32.8 lbs. (with packaging materials)
External Dimensions	360(W) X 407(D) X 249(H)mm/ 14.2(W) X 16.1(D) X 9.8(H)in.
Print Cartridge	Laser Print Cartridge: Yield approximately 3,000 letter/A4 pages, 5% area coverage (included with the printer) Reorder number: 106R441 (for Canada, Europe, Middle East Africa and the US), 106R439 (for all other countries.) High Yield Laser Print Cartridge: Yield approximately 6,000 letter/A4 pages, 5% area coverage. Reorder number: 106R442 (for Canada, Europe, Middle East Africa and the US), 106R440 (for all other countries.)
Emulation	PCL6, PCL5e, Epson; PostScript Level 3 (optional)
Fonts	45 scalable (35 Intellifont, 1 Bitmap, Euro)
CPU	66MHz, 32 bit RISC processor
Memory	Standard 4MB, Expandable to 68MB: (Installed into the slot labeled DRAM Module) 72 pin, EDO, non-parity: 60ns. 8MB, 16MB, 32MB or 64MB
Interface	Bidirectional Parallel Standard (IEEE 1284) –Modes supported: Compatible, Nibble, Byte, ECP USB Interface Standard –USB 1.0/1.1 compliant, 12Mbps, 1 port

TROUBLESHOOTING

Troubleshooting

Problem	Possible Cause	Things to try...
The printer does not print	Data Light is not on.	If the Data Light is off, check the power switch and power source.
	Printer Cable is not connected properly.	Check all connections. If using a parallel cable, make sure the clips on the connector are securely fastened.
	Error Light is on.	Check to see that the print cartridge is properly inserted in the machine.
	Paper Light and Error Light are on.	Check to see if there is a paper jam.
	Paper Light is on.	Printer is out of paper; add paper.
	Manual Light and Data Light are on.	Printer is in manual feed mode and is waiting for paper to be fed through the MP Tray.
Faded printing	Toner is low, time to replace the print cartridge.	Remove the print cartridge and shake it gently to evenly distribute the remaining toner, then reinsert the cartridge or insert a new print cartridge.
Job did not completely print; received an error sheet	Out of memory	Reduce the complexity of the print job; Do not send the entire job to the printer, instead print it in sections, i.e., pp 1-5, pp 6-10, etc.; Reduce the print resolution, i.e., from 1200 dpi to 600 dpi; Add a minimum of 8MB of additional memory.
Printed page has some missing characters or data	Differences in vector mode vs. raster mode	In PCL driver, change your Image Quality mode to raster and select text mode: download as bitmap image.
Difficulties printing via the parallel port (Windows users)	Printer is not directly connected to the PC	If you have any intermediate device between PC and printer, please remove device and connect printer directly to PC.
Illegal Operation Error Message	Print Driver error	Report error to your local support organization.



Note: For more troubleshooting tips, please refer to the electronic Reference Guide, which is available on the product CD provided with your printer.

EN

FR

ES

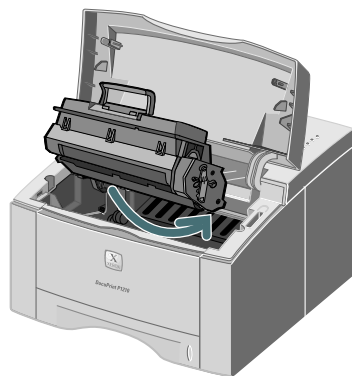
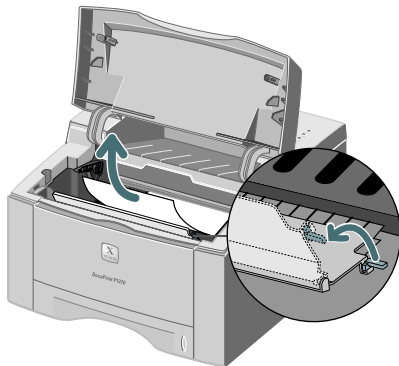
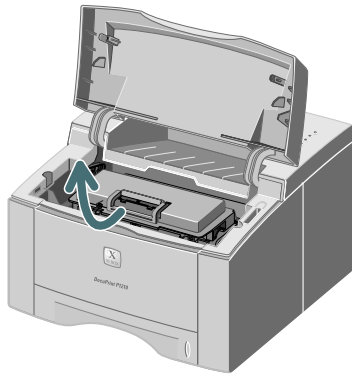
PT

ZH

TROUBLESHOOTING



Note: On the rare occasion you encounter a paper jam, the following instructions will assist you in clearing the jam.



Clearing Paper Jams Inside the Printer

- 1** Open the top cover and remove the print cartridge. Once the print cartridge is removed from the printer, be careful not to expose it to heat or direct sunlight.
- 2** Carefully lift up the guide feed and gently remove jammed paper. After removing jammed paper, flip down the guide feed.
- 3** Replace the print cartridge and close the top cover. Printing will resume.

TROUBLESHOOTING

Clearing Paper Jams in the Output Area

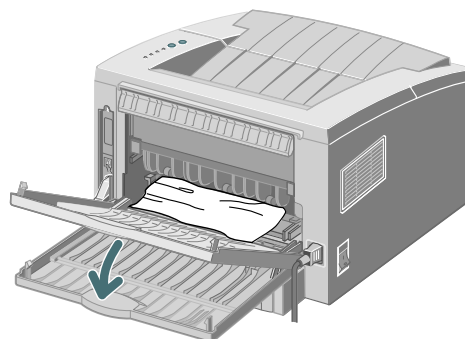
If the paper is almost completely visible, gently pull paper to remove.

1



If the jammed paper is not visible or there is resistance when you pull the paper, open the rear cover. Detach the vinyl strip and press the rear cover down until the plastic clips of the tray snap out.

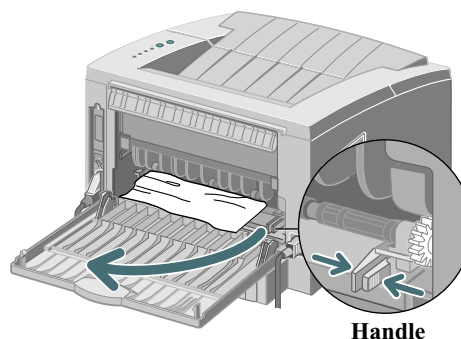
2



Note: Please detach the vinyl strip prior to pushing down the rear cover.

If there is still resistance when you try to remove the paper, pinch the **Handle** and release the exit roller.

3



Handle

EN

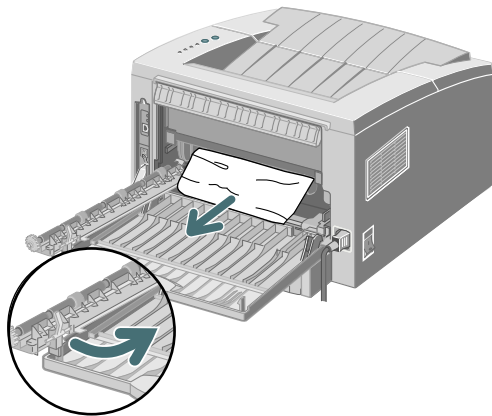
FR

ES

PT

ZH

TROUBLESHOOTING

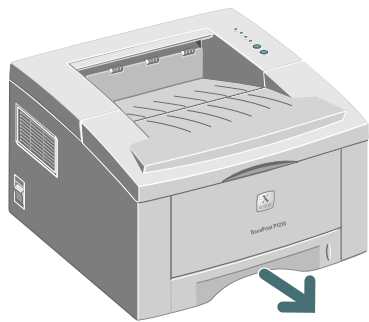


4 Gently remove the jammed paper. Refer to “Clearing Paper Jams Inside the Printer” if unable to remove the paper.

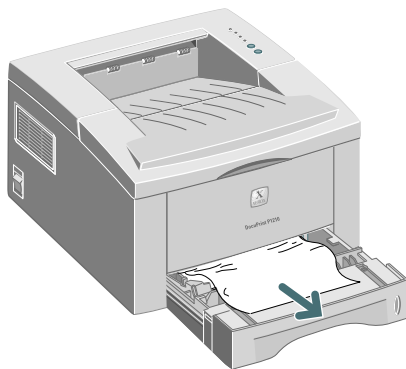
5 Replace and secure the exit roller and reattach the vinyl strap. Close the rear cover. Open and close the top cover to resume printing.

Clearing Paper Jams in the Input Area

1 Pull out the paper tray.



2 Gently remove jammed paper.



3 Slide the tray back into the printer. Open and close the top cover to resume printing.

INSTALLING OPTIONAL MEMORY

Installing Optional Memory



Caution: The controller board and internal options are sensitive to static electricity. Before installing or removing an internal option, discharge static electricity from your body by touching something metal, such as a metal plate on a device connected to a grounded outlet.



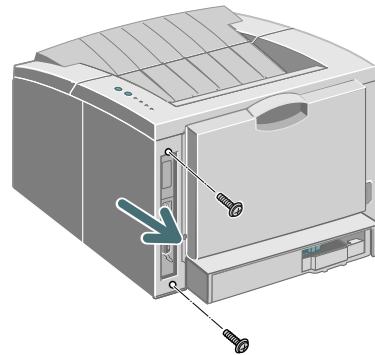
Note: For users who plan to run complex print jobs or print a majority of print jobs at 1200dpi, a minimum of 8MB of additional memory is recommended. Memory needs to be purchased separately. (RAM Specifications: 72 pin, EDO, non-parity: 60ns.)

Go to the back of the printer. Turn the printer off and disconnect the power cord and printer cable.

1

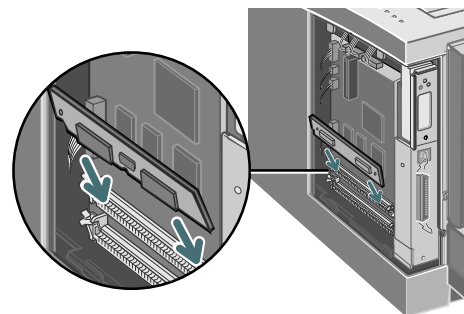
Remove the two outer screws and the control board cover.

2



Install the memory SIMM, at a slight angle, into the slot labeled "DRAM Module".

3



EN

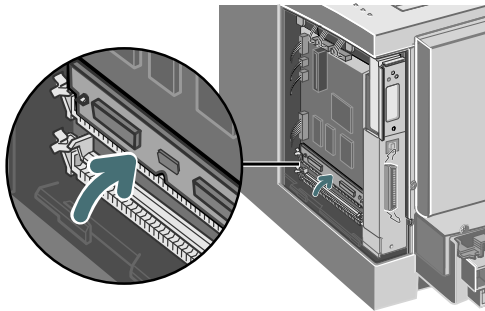
FR

ES

PT

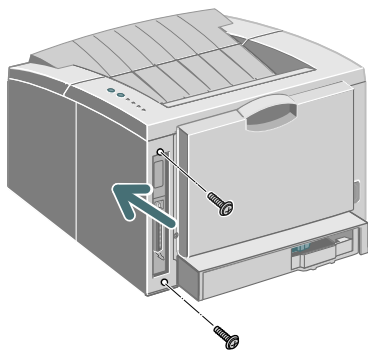
ZH

INSTALLING OPTIONAL MEMORY



4

Push back on the SIMM until it clicks into place. (Make sure the SIMM is secured in place by the metal clips.)



5

Replace the side cover and tighten the two outer screws.

6

Reconnect the power cord and printer cable. Turn the power on.

7

Print a configuration sheet (hold down the print button until all lights blink, then release). Confirm the new memory value on your sheet.

GETTING MORE INFORMATION

Detailed information for your DocuPrint P1210 is in the electronic Reference Guide, which is available on the product CD provided with your printer. The Reference Guide is provided in the following languages: English (EN), French (FR), Italian (IT), German (DE), Spanish (ES), Portuguese (PT), Dutch (NL), Russian (RO), and Simplified Chinese (ZH).

The Windows PCL6 driver provided with your printer has many specialized print features, like Watermarks and multiple-up printing. To learn more about these features, please access the on-line Help available through the Xerox DocuPrint P1210 PCL6 driver. To access the on-line help, just click the 'Help' button located on the lower right hand corner of the driver window. For Macintosh users, information concerning print driver features can be found in the Reference Guide located on the P1210 CD.

Drivers are available on our website. Please visit www.xerox.com and select "Get Drivers and Utilities."

For support and service, refer to your warranty pack for local contacts. Additional information can be found at www.xerox.com.



CD Contents

- Software Utilities
- Print Drivers
- Reference Guide (found in the folder labeled Docs)
 - Print Media Specifications
 - Configuring the PCL Driver
 - Setting Properties
 - Driver Features
 - Using Printer Utilities
 - Solving Printing Problems

EN

FR

ES

PT

ZH

PRINTER CERTIFICATIONS

Laser Safety

The Xerox DocuPrint P1210 complies with safety standards, and is certified as a Class 1 Laser product under the U.S. Department of Health and Human Services (DHHS) Radiation Performance Standard according to the Radiation Control for Health and Safety Act of 1968. The printer does not emit hazardous laser radiation. The use of controls, adjustments, or procedures other than those specified in the documentation might result in hazardous exposure to laser light.

CE (European Union) Declaration of Conformance

The CE marking applied to this product symbolizes Xerox Ltd. Declaration of Conformity with the following applicable Directives of the European Union as of the dates indicated:

January 1, 1995: Council Directive 73/23/EC amended by Council Directive 93/68/EC, on the harmonization of the laws of the Member States related to equipment designated for use within certain voltage limits.

January 1, 1996: Council Directive 89/336/EEC, approximation of the laws of the member states related to electromagnetic compatibility. When applicable

March 9, 1999; Council Directive 99/5/EC, on the harmonization of the laws of the Member States related to radio and telecommunications terminal equipment.

A full declaration, defining the relevant Directives and referenced standards can be obtained from your Xerox Ltd. representative.

WARNING: Changes or modifications to this equipment not specifically approved by Xerox Europe may void the user's authority to operate this equipment. Shielded cables must be used with this equipment to maintain compliance with the EMC Directive (89/336/EEC).

WARNING: In order to allow this equipment to operate in proximity to Industrial, Scientific and Medical (ISM) equipment, the external radiation from ISM equipment may have to be limited or special mitigation measures taken.

Australia and New Zealand

Changes or modifications to this equipment not specifically approved by Fuji Xerox Australia Pty. Limited may void the user's authority to operate this equipment. Shielded cables must be used with this equipment to maintain compliance with the Radiocommunications Act 1992.

Radio Frequency Emissions

United States and Canada

This equipment has been tested and found to comply with the limits for a Class B digital device, pursuant to Part 15 of the FCC Rules. These limits are designed to provide reasonable protection against harmful interference in a residential installation. This equipment generates, uses and can radiate radio frequency energy and, if not installed and used in accordance with the instructions, may cause harmful interference to radio communications. However, there is no guarantee that interference will not occur in a particular installation. If this equipment does cause harmful interference to radio or television reception, which can be determined by turning the equipment off and on, the user is encouraged to try to correct the interference by one or more of the following measures:

- Reorient or relocate the receiving antenna.
- Increase the separation between the equipment and receiver.
- Connect the equipment into an outlet on a circuit different from that to which the receiver is connected.
- Consult the dealer or an experienced radio/TV technician for help.

Changes or modifications to this equipment not specially approved by Xerox Corporation may void the authority granted by the FCC to operate this equipment. Shielded cables must be used with this equipment to maintain compliance with FCC regulations. In order to allow this equipment to operate in proximity to Industrial, Scientific and Medical (ISM) equipment, the external radiation from ISM equipment may have to be limited or special migration measures taken.



LANGUAGE CODES

Language Codes

Code (XX)	Language
BG	Bulgarian
CS	Czech†
DA	Danish†
DE	German*
EL	Greek
EN	English*
ES	Spanish*
ET	Estonian
FI	Finnish†
FR	French*
HE	Hebrew
HU	Hungarian†
IT	Italian*
LT	Lithuanian
LV	Latvian
NL	Dutch†
NO	Norwegian†
PL	Polish†
PT	Portuguese*
RO	Romanian†
RU	Russian†
SH	Croatian
SK	Slovakian
SL	Slovenian
SV	Swedish†
TR	Turkish
ZH	Chinese†

* *Macintosh and Windows print drivers available.*

† *Windows print driver available*

EN

FR

ES

PT

ZH

Free Manuals Download Website

<http://myh66.com>

<http://usermanuals.us>

<http://www.somanuals.com>

<http://www.4manuals.cc>

<http://www.manual-lib.com>

<http://www.404manual.com>

<http://www.luxmanual.com>

<http://aubethermostatmanual.com>

Golf course search by state

<http://golfingnear.com>

Email search by domain

<http://emailbydomain.com>

Auto manuals search

<http://auto.somanuals.com>

TV manuals search

<http://tv.somanuals.com>