

MicroBlaze Microcontroller Reference Design User Guide v1.3.1

UG133 v1.3.1 January 7, 2005





"Xilinx" and the Xilinx logo shown above are registered trademarks of Xilinx, Inc. Any rights not expressly granted herein are reserved. CoolRunner, RocketChips, Rocket IP, Spartan, StateBENCH, StateCAD, Virtex, XACT, XC2064, XC3090, XC4005, and XC5210 are registered trademarks of Xilinx, Inc.



The shadow X shown above is a trademark of Xilinx, Inc.

ACE Controller, ACE Flash, A.K.A. Speed, Alliance Series, AllianceCORE, Bencher, ChipScope, Configurable Logic Cell, CORE Generator, CoreLINX, Dual Block, EZTag, Fast CLK, Fast CONNECT, Fast FLASH, FastMap, Fast Zero Power, Foundation, Gigabit Speeds...and Beyond!, HardWire, HDL Bencher, IRL, J Drive, JBits, LCA, LogiBLOX, Logic Cell, LogiCORE, LogicProfessor, MicroBlaze, MicroVia, MultiLINX, NanoBlaze, PicoBlaze, PLUSASM, PowerGuide, PowerMaze, QPro, Real-PCI, RocketIO, SelectIO, SelectRAM, SelectRAM+, Silicon Xpresso, Smartguide, Smart-IP, SmartSearch, SMARTswitch, System ACE, Testbench In A Minute, TrueMap, UIM, VectorMaze, VersaBlock, VersaRing, Virtex-II Pro, Virtex-II EasyPath, Wave Table, WebFITTER, WebPACK, WebPOWERED, XABEL, XACT-Floorplanner, XACT-Performance, XACTstep Advanced, XACTstep Foundry, XAM, XAPP, X-BLOX +, XC designated products, XChecker, XDM, XEPLD, Xilinx Foundation Series, Xilinx XDTV, Xinfo, XSI, XtremeDSP and ZERO+ are trademarks of Xilinx, Inc.

The Programmable Logic Company is a service mark of Xilinx, Inc.

All other trademarks are the property of their respective owners.

Xilinx, Inc. does not assume any liability arising out of the application or use of any product described or shown herein; nor does it convey any license under its patents, copyrights, or maskwork rights or any rights of others. Xilinx, Inc. reserves the right to make changes, at any time, in order to improve reliability, function or design and to supply the best product possible. Xilinx, Inc. will not assume responsibility for the use of any circuitry described herein other than circuitry entirely embodied in its products. Xilinx provides any design, code, or information shown or described herein "as is." By providing the design, code, or information as one possible implementation of a feature, application, or standard, Xilinx makes no representation that such implementation is free from any claims of infringement. You are responsible for obtaining any rights you may require for your implementation. Xilinx expressly disclaims any warranty whatsoever with respect to the adequacy of any such implementation, including but not limited to any warranties or representations that the implementation is free from claims of infringement, as well as any implied warranties of merchantability or fitness for a particular purpose. Xilinx, Inc. devices and products are protected under U.S. Patents. Other U.S. and foreign patents pending. Xilinx, Inc. does not represent that devices shown or products described herein are free from patent infringement or from any other third party right. Xilinx, Inc. assumes no obligation to correct any errors contained herein or to advise any user of this text of any correction if such be made. Xilinx, Inc. will not assume any liability for the accuracy or correctness of any engineering or software support or assistance provided to a user.

Xilinx products are not intended for use in life support appliances, devices, or systems. Use of a Xilinx product in such applications without the written consent of the appropriate Xilinx officer is prohibited.

The contents of this manual are owned and copyrighted by Xilinx. Copyright 1994-2003 Xilinx, Inc. All Rights Reserved. Except as stated herein, none of the material may be copied, reproduced, distributed, republished, downloaded, displayed, posted, or transmitted in any form or by any means including, but not limited to, electronic, mechanical, photocopying, recording, or otherwise, without the prior written consent of Xilinx. Any unauthorized use of any material contained in this manual may violate copyright laws, trademark laws, the laws of privacy and publicity, and communications regulations and statutes.

MicroBlaze Microcontroller Ref Des User Guide UG133 v1.3.1 January 7, 2005

The following table shows the revision history for this document.

	Version	Revision
7/22/04	1.0	Initial Xilinx release.
8/27/04	1.1	Edited content; imported new images
11/19/04	1.2	Reconfigured book; added new chapter; incorporated edits
11/30/04	1.3	Reformatted book to consist of chapters for Overview and RefDes1
1/7/05	1.3.1	Made minor non-technical changes only.

About This Guide

Introduction	1
Guide Contents	1
Additional Resources	2
Conventions	2
Typographical	2
Online Document	3

Microcontroller Reference Design Overview

Introduction	1
---------------------------	---

MicroBlaze Microcontroller

Reference Design Number 1

Reference Design Building Blocks	2
Application	2
Features:	3
Getting Started	4
System Requirements	4
Downloading the Reference Designs	4
Downloading the Design and Launching XPS	4
Updating and Generation Hardware Files	5
Downloading Design Files to the FPGA	6
Selecting a Software Application to Run When the FPGA is Configured	6
Loading the "Calculator_App" Software Application	7
Running the Calculator_App program	7
Selecting a Software Application to be Loaded with a BOOT Loader after the FPGA is Configured and the Processor is Running	8
Updating and Generation Hardware Files	8
Loading the "microblaze_0_xmdstub" Software Application	9
Loading the "TestApp" Software Application with XMD_STUB	10
Loading the "Calculator_App" Software Application with XMD_STUB	11
Additional MicroBlaze and EDK Information	11

About This Guide

Introduction

This user guide contains information on how to integrate the stand-alone, prebuilt, MicroBlaze Microcontroller reference design into an FPGA. Although this design is targeted initially for the Xilinx Spartan-3 Starter Kit Board, the design may be modified readily for any Xilinx or third party platform.

This guide is an aid in getting started and learning how to use the Xilinx Embedded Development Kit (EDK) tools. It does this through examples, which show how multiple software images can be run on a defined soft Microcontroller hardware configuration. This guide shows how an FPGA with a soft processor can be used the same way an engineer would select an off the shelf microcontroller. This guide will provide examples of a number of different microcontroller configurations from which an engineer can choose. The soft microcontroller features and peripherals in the FPGA may be used without modification, or may be modified and customized using the Xilinx EDK Platform Studio tools. This guide will cover the flow where multiple software images are loaded on an unmodified hardware configuration.

The MicroBlaze Microcontroller is an integrated solution intended for implementation of an embedded controller in FPGA by a user without extensive knowledge of the Xilinx Embedded Development Kit (EDK) and the Xilinx Platform Studio (XPS). The solution offered in this document is a minimal implementation that can be expanded easily to include other peripherals and application software for different usage.

All the necessary documentation, references, HDL code, sample codes, software drivers and application software are included in the tools or provided with this design.

Guide Contents

This manual contains the following sections:

[“Microcontroller Reference Design Overview”](#)

[“MicroBlaze Microcontroller Reference Design Number 1”](#)

Additional Resources

For additional information, go to <http://support.xilinx.com>. The following table lists some of the resources available from this website. You can also directly access these resources using the provided URLs.

Resource	Description/URL
Tutorials	Tutorials covering Xilinx design flows, from design entry to verification and debugging http://support.xilinx.com/support/techsup/tutorials/index.htm
Answer Browser	Database of Xilinx solution records http://support.xilinx.com/xlnx/xil_ans_browser.jsp
Application Notes	Descriptions of device-specific design techniques and approaches http://support.xilinx.com/apps/appsweb.htm
Data Sheets	Device-specific information on Xilinx device characteristics, including readback, boundary scan, configuration, length count, and debugging http://support.xilinx.com/xlnx/xweb/xil_publications_index.jsp
Problem Solvers	Interactive tools that allow you to troubleshoot your design issues http://support.xilinx.com/support/troubleshoot/psolvers.htm
Tech Tips	Latest news, design tips, and patch information for the Xilinx design environment http://www.support.xilinx.com/xlnx/xil_tt_home.jsp

Conventions

This document uses the following conventions. An example illustrates each convention.

Typographical

The following typographical conventions are used in this document:

Convention	Meaning or Use	Example
Courier font	Messages, prompts, and program files that the system displays	speed grade: - 100
Courier bold	Literal commands that you enter in a syntactical statement	ngdbuild <i>design_name</i>
Helvetica bold	Commands that you select from a menu	File → Open
	Keyboard shortcuts	Ctrl+C

Convention	Meaning or Use	Example
<i>Italic font</i>	Variables in a syntax statement for which you must supply values	<code>ngdbuild design_name</code>
	References to other manuals	See the <i>Development System Reference Guide</i> for more information.
	Emphasis in text	If a wire is drawn so that it overlaps the pin of a symbol, the two nets are <i>not</i> connected.
Square brackets []	An optional entry or parameter. However, in bus specifications, such as <code>bus [7:0]</code> , they are required.	<code>ngdbuild [option_name] design_name</code>
Braces { }	A list of items from which you must choose one or more	<code>lowpwr = {on off}</code>
Vertical bar	Separates items in a list of choices	<code>lowpwr = {on off}</code>
Vertical ellipsis . . .	Repetitive material that has been omitted	IOB #1: Name = QOUT' IOB #2: Name = CLKIN' . . .
Horizontal ellipsis ...	Repetitive material that has been omitted	<code>allow block block_name loc1 loc2 ... locn;</code>

Online Document

The following navigation conventions are used in this document:

Convention	Meaning or Use	Example
Blue text	Cross-reference link to a location in the current document	See the section " Additional Resources " for details. Refer to " Title Formats " in Chapter 1 for details.
Red text	Cross-reference link to a location in another document	See Figure 2-5 in the <i>Virtex-II Handbook</i> .
Blue, underlined text	Hyperlink to a website (URL)	Go to http://www.xilinx.com for the latest speed files.



Microcontroller Reference Design Overview

Introduction

When selecting an embedded microcontroller, typically an engineer will list the required features and then select a stand alone, off the shelf microcontroller or processor that has those features. In most cases there are additional features or peripherals that are not need, but are included non-the less. When using a Soft Processor in an FPGA an engineer has an opportunity to select from pre-created microcontroller hardware images, or modify and customize the features and peripherals.

This guide is provided as an aid in getting started and learning how to use the Xilinx Embedded Development Kit (EDK) tools. It does this through examples, which show how multiple software images can run on a defined soft microcontroller hardware configuration. This guide show how an FPGA with a soft processor can be used the same way an engineer would select an off the shelf microcontroller. This guide will provide examples of a number of different microcontroller configurations from which an engineer can choose. The soft microcontroller features and peripherals in the FPGA may be used without modification, or may be modified and customized using the Xilinx EDK Platform Studio tools. This guide will cover the flow where multiple software images are loaded on an unmodified hardware configuration.

MicroBlaze Microcontroller Reference Design Number 1

Reference Design Building Blocks

The block diagram of the MicroBlaze Microcontroller used in this MicroBlaze Microcontroller Reference Design is shown in [Figure 2-1](#). The design includes an Internal Block RAM memory, an RS232 UART, 4 GPIO blocks, and a JTAG_UART used for software debugging. This configuration utilizes approximately 50% of a Spartan-3™ XC3S200 device.

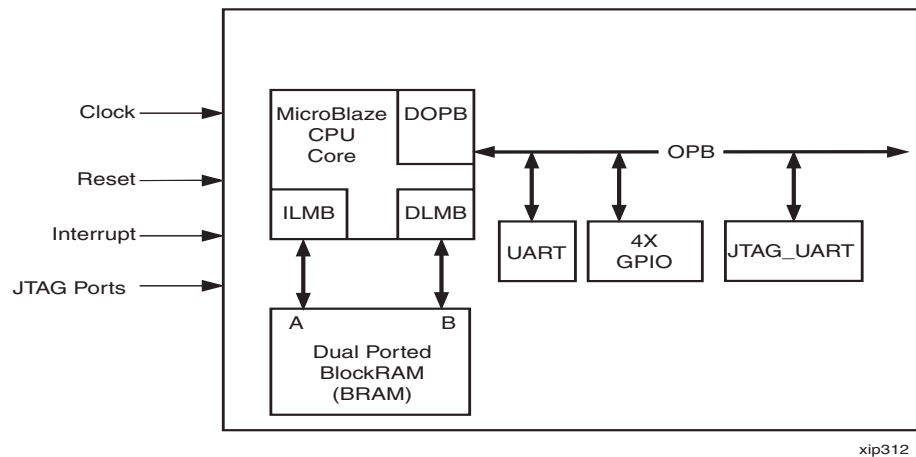


Figure 2-1: MicroBlaze Microcontroller Block Diagram

Application

Some applications for the MicroBlaze processor include:

- Industrial Controller
- Consumer Application
- Office Automation
- Data Communication

Features:

- MicroBlaze Microprocessor
 - ◆ 50 MHz on the Spartan-3 Starter Kit Board, derived from the 50 MHz crystal on board
 - ◆ Instruction cache and data cache options disabled
 - ◆ 32 32-bit general purpose registers with 32-bit address and 32-bit data buses
 - ◆ Single cycle execution
 - ◆ Direct access to the register file using Fast Simplex Link (FSL)
- Unified instruction and data BRAM into single memory for both instruction and data segments
 - ◆ Dual port 16 KB internal blockRAM memory structure
 - ◆ 2-cycle read access from BRAM via the Local Memory Bus (LMB)
- RS232 UART Controller
 - ◆ Pre-configured for 57600 baud rate
- General purpose input/output ports (GPIO)
 - ◆ 8-bit GPIO configured as output ports to drive LED
 - ◆ 12-bit GPIO configured as output ports to drive the 7-segment LEDs on the board
 - ◆ 8-bit GPIO configured as input ports to read onboard dip switches
 - ◆ 3-bit GPIO configured as input ports to read push buttons
- JTAG_UART core with Xilinx Microprocessor Debugger (XMD) and GDB debugger to provide application/software debugging capabilities
 - ◆ XMD uses a JTAG_UART to communicate with xmdstub on the board
 - ◆ xmdstub is an executable software loaded into local system memory at startup
 - ◆ Supports run time control, such as Run, Single Step, Breakpoint, View Registers, and View Memory, as well as debug parameters

Note: Interrupts are not used in this design. For an example on how to use interrupts, see the Microblaze design using an OPB interrupt controller and an OPB microprocessor debug module (MDM) reference design available on the Embedded Design Kit web site at http://www.support.xilinx.com/ise/embedded/edk_examples.htm

For documentation on interrupts, see the *MicroBlaze Processor Reference Guide* in the EDK documentation.

Getting Started

System Requirements

The following software must be installed on your PC to utilize this reference design:

- Windows 2000 SP2/Windows XP
- EDK 6.3 or later (Must be the same version as ISE)
- ISE 6.3i or later

To download the completed reference design, the following hardware is required:

- Xilinx Spartan-3 Evaluation Board. For information on the evaluation board, see <http://www.xilinx.com/products/spartan3/s3boards.htm>.
- Xilinx Parallel Cable used to program and debug the device
- Serial Cable for connection to the RS232 UART via HyperTerminal

The next sections of this document will discuss:

- Downloading the reference design and test application
- Launching Xilinx Platform Studios (XPS)

Downloading the Reference Designs

Go to the MicroBlaze lounge at http://www.xilinx.com/microblaze_mcu_refdes1.

Download the reference design, starting with the MB_MCU_RefDes1.zip archive.

Downloading the Design and Launching XPS

1. Go to the MicroBlaze lounge at http://www.xilinx.com/microblaze_mcu_refdes1 and download the "MB_MCU_RefDes1.zip" archive.
2. On the target drive, unzip "MB_MCU_RefDes1.zip". This will automatically create a subdirectory for the project "MB_MCU_RefDes1.zip". Assuming that the Xilinx Platform Studio (XPS) has been installed, launch XPS at this time using Start>Programs>Xilinx Platform Studio>Xilinx Platform Studio
3. Once in XPS, select the menu option File>Open Project
4. Using the browser, navigate to where the project exists and double-click on System.xmp.

The system showing the prebuilt MicroBlaze Microcontroller Reference System configuration is shown in [Figure 2-2](#).

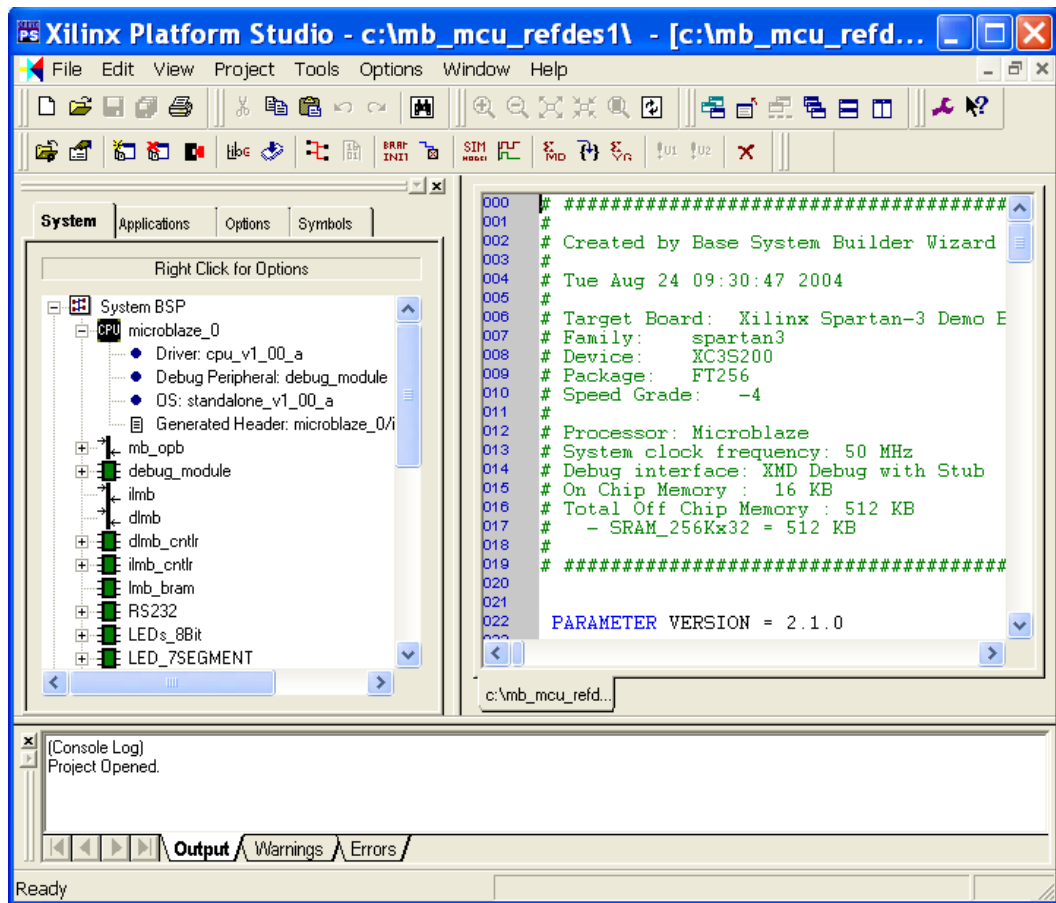


Figure 2-2: Xilinx Platform Studio (XPS)

Updating and Generation Hardware Files

At this point XPS is open with the selected hardware application. No modifications are needed to run this design. All the hardware features and peripherals have been pre-loaded and pre-set. The Hardware Application can run any number of Software Applications. When the Base System Wizard is used to create a Hardware System, it also will create a simple Software Application to test the selected Hardware features and peripherals

To be sure that all the Hardware files have been created, in XPS, please select **“Tools>Update Bitstream”**. This will run any of the programs needed to generate the Hardware Application for this reference design.

The message panel should read:

```

...
Memory Initialization completed successfully.
Done.
    
```

or, if all files are up to date, then it will say:

```
...  
make: Nothing to be done for `init_bram'.  
Done.
```

Downloading Design Files to the FPGA

The following two sections illustrate two methods of downloading a Software Application into the FPGA. The first method is when the Software Application can be incorporated into the FPGA bitstream. The second method illustrates loading a selected application into the FPGA using the GDB debugger for software development and debugging.

Selecting a Software Application to Run When the FPGA is Configured

In this step the Software Application that will be loaded when the FPGA is initially loaded with a new bitstream will be selected. Please select the XPS Software Application tab. There are 3 options that can be selected when choosing the Software Application. This first example will show how a Software Application can be initially added to the FPGA bitstream. This will configure the MicroBlaze Microcontroller program and Data memory with the software application already pre-loaded. This means that as soon as the FPGA has been successfully configured, the MicroBlaze Microcontroller Software Application will already be running on the MicroBlaze Microcontroller Hardware Application.

In this case, although multiple software applications could overlap in the Bram, only one software application can be selected at one time. To select the desired application, perform the following steps:

1. Select the **Application** tab the XPS window.
2. Right click on **Project: Calculator_App**.
3. Set "Mark to Initialize BRAMs". The **Project: Calculator_App** will have a small green arrow appear to the left of the text.
4. Confirm that "Mark to Initialize BRAMs" is not checked for the other projects and default applications. The Graphic to the left of each other application should appear as a green arrow with a red 'X' over it. Verify that this is the case for 'microblaze_0_bootloop', 'microblaze_0_xmdstub', and 'Project: TestApp'. If any are set, please Right click and confirm that "Mark to Initialize BRAMs" is not checked. If checked, click to deselect it. The green arrow should then appear with a red "X".

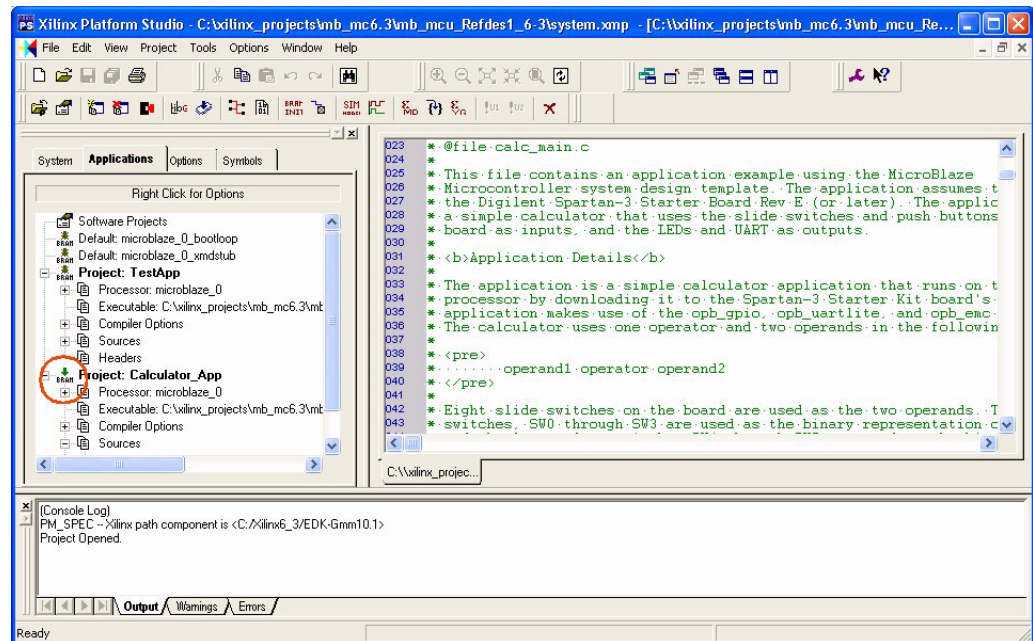


Figure 2-3: Software Selection when FPGA is Configured

Loading the “Calculator_App” Software Application

To configure the hardware system and to load the software application into the Spartan-3 Evaluation Board using the Digilent JTAG3 cable, perform the following steps:

1. Connect the Digilent JTAG3 cable to the J7 header on the Spartan-3 Evaluation Board and connect the other end to the parallel port of the PC. If using the Parallel Cable IV, make sure that the ‘status’ light is lit on the cable.
2. Connect the Serial cable to J2 on the Spartan-3 Evaluation Board and to the serial port of the PC. On the PC, using hyperterminal, make certain that the bit rate is set for 57600 bps on the serial port.
3. Turn on the power on to the Spartan-3 Evaluation Board.
4. In XPS, to make sure that the ELF file is up to date, use “**Tools>Update Bitstream**”. There may be a warning “Processor microblaze_0 has XMDSTUB-mode application, but xmdstub.elf is not marked for download, do you want to continue?” Click ‘YES’
5. In XPS, select “**Tools>Download**” to download the new bitstream into the FPGA. The xmd-stub warning will appear again. Please click ‘YES’.

Note: Close all other XMD and GDB windows prior to downloading a configuration bits.

Running the Calculator_App program

After the Calculator_App has been loaded, the hyperterminal should show:

```
Simple Calculator App for Spartan-3 Starter Kit
Push button to start math operation...
```

The Calculator_App is a simple 3 function calculator. The 3 right most push button switches are Add (BTN0), Sub (BTN1), Mult (BTN2). The left most push button switch (BTN3) is a program reset, which will clear the calculator program. If the reset is pushed at this time, then the FPGA will need to be re-loaded.

The eight toggle switches directly under the 7-Segment display are divided into two 4 bit words. When the Add, Sub, or Mult push button switches are pushed, the selected calculator operation will be performed on the value of the toggle switches. If the toggle switches are set to:

Sw7=off, Sw6=off, Sw5=off, Sw4=off, Sw3=off, Sw2=off, Sw1=off, Sw0=off

Where Word 1 is 0 and Word 0 is 0

Add: $0+0=0$

Sub: $0-0=0$

Mult $0*0=0$

If the toggle switches are set to:

Sw7=off, Sw6=off, Sw5=off, Sw4=ON, Sw3=off, Sw2=off, Sw1=ON, Sw0=ON

Where Word 1 is 1 and Word 0 is 3

Add: $3+1=4$

Sub: $3-1=2$

Mult $3*1=3$

Each time one of the Push Button switches is pressed, the result should be displayed in 'decimal' on the 7-Seg display, and it will also be sent to the hyperterminal through the UART. The hyperterminal display should show:

$3 + 1 = 4$

Push button to start math operation...

$3 - 1 = 2$

Push button to start math operation...

$3 * 1 = 3$

Push button to start math operation...

The next section will show how to load this same program after the FPGA has been configured.

Selecting a Software Application to be Loaded with a BOOT Loader after the FPGA is Configured and the Processor is Running

This step will show an example of how a Hardware Application can be initially loaded with a "Stub" program. This will configure the MicroBlaze Microcontroller where it is waiting to be loaded with the actual Software Application.

Updating and Generation Hardware Files

Please select the XPS software Application tab. There are 3 options that can be selected when choosing the Software Application. This example will show how a Software Application can be loaded after the FPGA is configured. A Software Applications can be

loaded and run, and then a different Software Application can be loaded and run. In this example the MicroBlaze processor must be loaded with a Software Application through the use of a stub program.

To select the stub application, perform the following steps:

1. Select the **Application** tab the XPS window.
2. Right click on **Default: microblaze_0_xmdstub**.
3. Set "Mark to Initialize BRAMs". The **Default: microblaze_0_xmdstub** will have a little Green Arrow appear to the left of the text.
4. Confirm that "Mark to Initialize BRAMs" is not checked for the other projects and default applications. The Graphic to the left of each other application should appear as a green arrow with a red 'X' over it. Verify that this is the case for 'microblaze_0_bootloop', 'Project: TestApp' and Project: Calculator_App. If any are set, please Right click and confirm that "Mark to Initialize BRAMs" is not checked. If checked, click to deselect it. The little green arrow should then appear with a red "X".

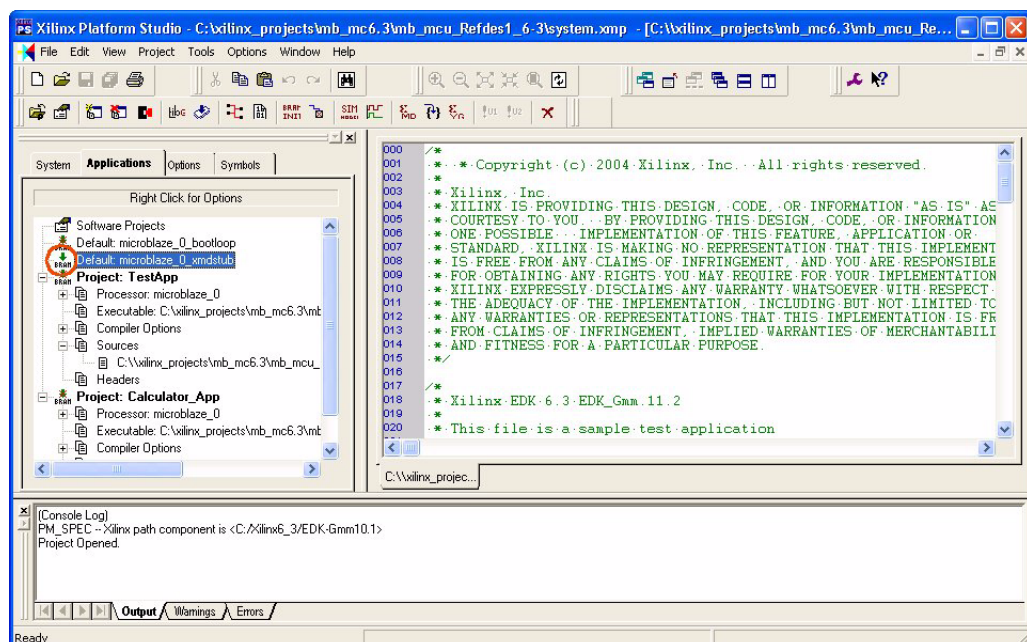


Figure 2-4: Software Selection with a BOOT loader

Loading the "microblaze_0_xmdstub" Software Application

To configure the hardware system and to load the software application into the Spartan-3 Evaluation Board using the Digilent JTAG3 cable, perform the following steps:

1. Connect the Digilent JTAG3 cable to the J7 header on the Spartan-3 Evaluation Board and connect the other end to the parallel port of the PC. If using the Parallel Cable IV, make sure that the 'status' light is lit on the cable.
2. Connect the Serial cable to J2 on the Spartan-3 Evaluation Board and to the serial port of the PC. On the PC, using hyperterminal, make certain that the bit rate is set for 57600 bps on the serial port.
3. Turn on the power on to the Spartan-3 Evaluation Board.

- In XPS, to make sure that the ELF file is up to date, please “Tools>Update Bitstream”.
Note: Close all other XMD and GDB windows prior to downloading a configuration bits.
- In XPS, select “Tools>Download” to download the hardware configuration and load xmdstub into the BRAM memory.
Note: Close all other XMD and GDB windows prior to downloading a configuration bits.
- In XPS, select “Tools>XMD” to open an XMD utility.
XMD is a JTAG utility that can be used to download and debug software. XMD is also a server for GDB, the GNU debugging utility.

Loading the “TestApp” Software Application with XMD_STUB

- In XPS, select “Tools>Software Debugger” to open the GDB interface (Source Window).
- Choose TestApp from the User Application window.
- In GDB, select the “File>Target Settings” to display the Target Selection dialog box as shown in Figure 2-3.
- Configure the Target Selection dialog box to match Figure 2-3, then click OK.
- In Source Window>Run, click RUN, This will download the executable.elf file located at TestApp directory into the device.
- In Source Window, the user can select Continue, Single Step, Set Break Point, and view source code, registers and memory contents.
- From Control Tag, select “Continue”.

If the Spartan-3 Evaluation Board executes the application test program properly, you will see flashing LEDs on the board in the Hyper Terminal (57600bps, 8N1).

Note: Begin from step 2 to configure the device prior to loading a new application program and debugging. Make certain to close all XMD and GDB windows.

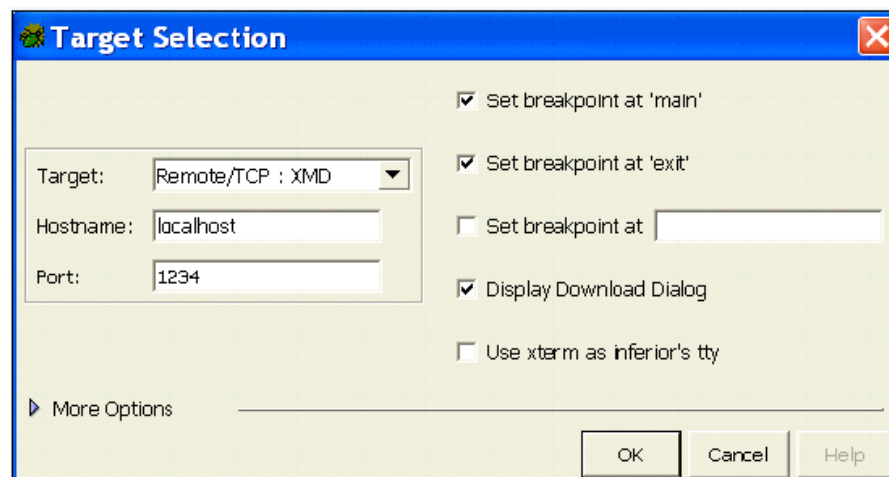


Figure 2-5: Target Selection for Software Debugger

Loading the “Calculator_App” Software Application with XMD_STUB

To download and execute the **Calculator_App** demonstration program, repeat the procedure in section ‘Loading the “TestApp” Software Application with XMD_STUB’ Start with step 1 and choose **Calculator_App** in step 5 instead of **TestApp**. See Running the Calculator_App program

Additional MicroBlaze and EDK Information

Congratulations, you have successfully integrated a MicroBlaze Microcontroller into an FPGA and executed software code.

For additional information on MicroBlaze and the EDK tools, go to <http://support.xilinx.com>.

Free Manuals Download Website

<http://myh66.com>

<http://usermanuals.us>

<http://www.somanuals.com>

<http://www.4manuals.cc>

<http://www.manual-lib.com>

<http://www.404manual.com>

<http://www.luxmanual.com>

<http://aubethermostatmanual.com>

Golf course search by state

<http://golfingnear.com>

Email search by domain

<http://emailbydomain.com>

Auto manuals search

<http://auto.somanuals.com>

TV manuals search

<http://tv.somanuals.com>