

Introduction

The ChipScope™ PLB IBA core is a specialized Bus Analyzer core designed to debug embedded systems that contain the IBM CoreConnect™ Processor Local Bus (PLB) version 4.6. The ChipScope PLB46 IBA core in EDK is based on a Tcl script that generates an HDL wrapper to the PLB IBA and calls the ChipScope Core Generator to generate the netlist based on user parameters.

Features

The ChipScope PLBv46 IBA is a soft IP core designed for Xilinx® FPGAs and contains the following features:

- Probes the master, slave, arbiter, and error status signals of the PLBv46 bus
- Probes the PLBv46 OR'ed slave signals
- Automatically adjusts ports to the PLBv46 bus width
- Separates master, slave, and error status signals into independent match units which can be enabled or disabled by a design parameter
- Allows independent enabling or disabling of probed master, slave, and error status signals for data capture
- Supports trigger port customization by a design parameter
- Supports match unit type customization for each trigger port by a design parameter
- Supports sample depths from 1024-131,072 on Virtex™-5 Devices selectable by a design parameter
- Can probe as few as 1 signals and as many as 1115 signals on a Virtex-5 device
- Provides a separate input bus to allow a user-defined input debug port
- Supports a trigger output indicator pin that can be sent off chip or to other cores

LogiCORE™ Facts		
Core Specifics		
Supported Device Family	Virtex-E, Virtex, Spartan™-3A DSP, Spartan-3AN, Spartan-3A, Spartan-3E, Spartan-3, Spartan-IIE, Spartan-II, Virtex-5 LX, Virtex-5 LXT Virtex-5 SXT, Virtex-4 FX, Virtex-4 LX, Virtex-4 SX, Virtex-II Pro, Virtex-II, Virtex-II Pro, Virtex-4	
Version of Core	chipscope_plb46_iba	V1.00a
Resources Used		
	Min	Max
Slices		
LUTs		
FFs		
Block RAMs		
Provided with Core		
Documentation	Product Specification	
Design File Formats	VHDL/EDIF	
Constraints File	N/A	
Verification	N/A	
Instantiation Template	N/A	
Reference Designs	None	
Design Tool Requirements		
Xilinx Implementation Tools	ISE™ 9.2i or later	
Verification	ChipScope Pro 9.2i or later	
Simulation	Not supported in simulation	
Synthesis	XST	
Support		
Provided by Xilinx, Inc.		

ChipScope PLB46 IBA I/O Signals

Table 1: IBA_PLBv46 Pin Descriptions

Port	MU	Signal Name	Interface	I/O	Description
P1		CONTROL	ICON	I/O	Icon control bus IO
P2		PLB_Clk	System	I	System Clock
P3	MU_1C	iba_trigin_in	GENERIC	I	Generic Trigger Inputs
P4		iba_trig_out	GENERIC	O	IBA Trigger Output
Reset & Error Status					
P5	MU_1A	PLB_Rst	System	I	Registered reset output from arbitration logic
P6	MU_1A	Bus_Error_Det	System	I	Bus Error Interrupt
P7	MU_1A	PLB_lockErr	Slave	I	PLB lock error indicator
P8	MU_1B	PLB_MRdErr[0: C_PLBV46_NUM_MASTERS-1]	Master	I	PLB Master slave read error indicator
P9	MU_1B	PLB_MWrErr[0: C_PLBV46_NUM_MASTERS-1]	Master	I	PLB Master slave write error indicator
P10	MU_1B	PLB_MIRQ[0: C_PLBV46_NUM_MASTERS-1]	Master	I	Master interrupt request. For each master, indicates when a slave has encountered an event that is significant to the master
P11	MU_1B	PLB_MTimeout[0: C_PLBV46_NUM_MASTERS-1]	Master	I	PLB address-phase timeout indicator
Common Signals					
P12	MU_2A	PLB_PAVValid	Slave	I	PLB primary address valid indicator
P13	MU_2A	PLB_SAVValid	Slave	I	PLB secondary address
P14	MU_2A	PLB_busLock	Slave	I	PLB BusLock
P15	MU_2A	PLB_abort	Slave	I	PLB abort bus request indicator
P16	MU_2A	PLB_Swait	Simulation	I	Output of SI_wait OR gate
P17	MU_2A	PLB_SaddrAck	Simulation	I	Output of SI_addrAck OR gate
P18	MU_2A	PLB_Srearbitrate	Simulation	I	Output of SI_rearbitrate OR gate
P19	MU_2A	PLB_RNW	Slave	I	PLB read not write
P20	MU_2A	PLB_SwrDAck	Simulation	I	Output of SI_wrDAck OR gate
P21	MU_2A	PLB_SwrComp	Simulation	I	Output of SI_wrComp OR gate
P22	MU_2A	PLB_SwrBTerm	Simulation	I	Output of SI_wrBTerm OR gate
P23	MU_2A	PLB_wrBurst	Slave	I	PLB burst write transfer indicator
P24	MU_2A	PLB_SrdDAck	Simulation	I	Output of SI_rdBuck OR gate
P25	MU_2A	PLB_SrdComp	Simulation	I	Output of SI_rdBComp OR gate
P26	MU_2A	PLB_SrdBTerm	Simulation	I	Output of SI_rdBTerm OR gate
P27	MU_2A	PLB_rdBurst	Slave	I	PLB burst read transfer indicator
P28	MU_2B	PLB_size[0:3]	Slave	I	PLB Transfer size
P29	MU_2B	PLB_type[0:2]	Slave	I	PLB Transfer type
P30	MU_2B	PLB_MSize[0:1]	Slave	I	PLB data bus port width indicator.
P31	MU_2B	PLB_Ssize[0:1]	Simulation	I	Output of slave SI_SSize OR gate
P32	MU_2B	PLB_masterID[0: C_PLBV46_MID_WIDTH-1]	Slave	I	PLB current master identifier
P33	MU_2B	PLB_BE[0: C_PLBV46_DWIDTH/8-1]	Slave	I	PLB byte enables

Table 1: IBA_PLBv46 Pin Descriptions (Continued)

Port	MU	Signal Name	Interface	I/O	Description
P34	MU_2C	PLB_TAttribute[0:15]	Slave	I	PLB Transfer Attribute
Address					
P35	MU_3A	PLB_ABus[0:31]	Slave	I	PLB address bus, lower 32 bits
P36	MU_3B	PLB_UABus[0:31]	Slave	I	PLB address bus, upper 32 bits
Data					
P37	MU_4	PLB_wrDBus[0: C_PLBV46_DWIDTH-1]	Slave	I	PLB write data bus
P38	MU_5	PLB_SrdDBus[0: C_PLBV46_DWIDTH-1]	Sim	I	Output of SL_rdDBus OR gate
Slave					
P39	MU_6A	PLB_rdPrim[0: C_PLBV46_NUM_SLAVES-1]	Slave	I	PLB secondary to primary read request indicator
P40	MU_6A	PLB_wrPrim[0: C_PLBV46_NUM_SLAVES-1]	Slave	I	PLB secondary to primary write request indicator
P41	MU_6A	SI_AddrAck[0: C_PLBV46_NUM_SLAVES-1]	Slave	I	Slave Address acknowledge
P42	MU_6A	SI_Rearbitrate[0: C_PLBV46_NUM_SLAVES-1]	Slave	I	Slave bus re-arbitrate indicator
P43	MU_6A	SI_wait[0: C_PLBV46_NUM_SLAVES-1]	Slave	I	Slave wait indicator
P44	MU_6A	SI_rdBTerm[0: C_PLBV46_NUM_SLAVES -1]	Slave	I	Slave terminate read burst indicator
P45	MU_6A	SI_rdComp[0: C_PLBV46_NUM_SLAVES -1]	Slave	I	Slave read transfer complete indicator
P46	MU_6A	SI_rdDAck[0: C_PLBV46_NUM_SLAVES-1]	Slave	I	Slave read data acknowledge
P47	MU_6A	SI_wrBTerm[0: C_PLBV46_NUM_SLAVES -1]	Slave	I	Slave terminate write burst indicator
P48	MU_6A	SI_wrComp[0: C_PLBV46_NUM_SLAVES -1]	Slave	I	Slave write transfer complete indicator
P49	MU_6A	SI_wrDAck[0: C_PLBV46_NUM_SLAVES-1]	Slave	I	Slave write data acknowledge
P50	MU_6B	SI_rdWdAddr[0: C_PLBV46_NUM_SLAVES*4-1]	Slave	I	Slave read word address
P51	MU_6B	SI_SSize[0: C_PLBV46_NUM_SLAVES*2-1]	Slave	I	Slave data bus port size indicator
P52	MU_7	SI_MBusy[0: C_PLBV46_NUM_SLAVES *C_PLBV46_NUM_MASTERS-1]	Slave	I	Slave busy indicator
P53	MU_8	SI_MRdErr[0: C_PLBV46_NUM_SLAVES *C_PLBV46_NUM_MASTERS-1]	Slave	I	Slave read error indicator
P54	MU_9	SI_MWrErr[0: C_PLBV46_NUM_SLAVES *C_PLBV46_NUM_MASTERS-1]	Slave	I	Slave write error indicator
PLB Arbitration Signals					
P55	MU_10	M_request[0: C_PLBV46_NUM_MASTERS-1]	Master	I	Master bus request
P56	MU_10	M_priority[0: C_PLBV46_NUM_MASTERS*2-1]	Master	I	Master bus request priority
P57	MU_10	M_busLock[0: C_PLBV46_NUM_MASTERS-1]	Master	I	Master Bus Lock

Table 1: IBA_PLBv46 Pin Descriptions (Continued)

Port	MU	Signal Name	Interface	I/O	Description
P58	MU_10	M_abort[0: C_PLBV46_NUM_MASTERS-1]	Master	I	Master abort bus request indicator
P59	MU_10	PLB_rdPendPri[0:1]	Master	I	PLB pending read request priority
P60	MU_10	PLB_wrPendPri[0:1]	Master	I	PLB pending write request priority
P61	MU_10	PLB_rdPendReq	Master /Slave	I	PLB pending bus read request indicator
P62	MU_10	PLB_wrPendReq	Master /Slave	I	PLB pending bus write request indicator
P63	MU_10	PLB_reqPri[0:1]	Master /Slave	I	PLB current request priority
PLB Master Signals					
P64	MU_11	M_lockErr[0: C_PLBV46_NUM_MASTERS-1]	Master	I	Master lock error indicator
P65	MU_11	M_rdBurst[0: C_PLBV46_NUM_MASTERS-1]	Master	I	Master read burst indicator
P66	MU_11	M_wrBurst[0: C_PLBV46_NUM_MASTERS-1]	Master	I	Master write burst indicator
P67	MU_11	M_RNW[0: C_PLBV46_NUM_MASTERS-1]	Master	I	Master read not write
P68	MU_11	PLB_MBusy[0: C_PLBV46_NUM_MASTERS-1]	Master	I	PLB Master slave busy indicator
P69	MU_11	PLB_MAddrAck[0: C_PLBV46_NUM_MASTERS-1]	Master	I	PLB Master Address acknowledge
P70	MU_11	PLB_MRdBTerm[0: C_PLBV46_NUM_MASTERS-1]	Master	I	PLB Master terminate read burst indicator
P71	MU_11	PLB_MRdDAck[0: C_PLBV46_NUM_MASTERS-1]	Master	I	PLB Master read data acknowledge
P72	MU_11	PLB_MRearbitrate[0: C_PLBV46_NUM_MASTERS-1]	Master	I	PLB Master bus re-arbitrate indicator
P73	MU_11	PLB_MWrBTerm[0: C_PLBV46_NUM_MASTERS-1]	Master	I	PLB Master terminate write burst indicator
P74	MU_11	PLB_MWrDAck[0: C_PLBV46_NUM_MASTERS-1]	Master	I	PLB Master write data acknowledge
P75	MU_12	M_mSize[0: C_PLBV46_NUM_MASTERS*2-1]	Master	I	Master data bus port width
P76	MU_12	M_size[0: C_PLBV46_NUM_MASTERS*4-1]	Master	I	Master transfer size
P77	MU_12	PLB_MSSize[0: C_PLBV46_NUM_MASTERS*2-1]	Master	I	PLB Master slave data bus width indicator
P78	MU_12	M_type[0: C_PLBV46_NUM_MASTERS*3-1]	Master	I	Master transfer type
P79	MU_13	M_BE[0: C_PLBV46_NUM_MASTERS* C_PLBV46_DWIDTH/8-1]	Master	I	Master byte enables

The IBA_PLBv46 ports listed in [Table 1](#) connect to the PLBv46 bus. The core divides related ports into 13 match unit groups (MUs) as shown in the second column of the table. Each match unit group can connect to a trigger port of the IBA. Certain match unit groups, such as MU_1, are further subdivided to allow more fine control of the signals attached to a trigger port. For example, PLB_Rst is part of MU_1A and PLB_MRdErr is part of MU_1B but both will be combined into MU_1 when enabled.

Every match unit label has a match type and match counter width parameter. The match unit type describes the type of compare operation that can be done with the match unit. The valid values for this type are defined for each match unit. For instance C_MU_1_TYPE only supports basic and basic with edges because multiple signals make up this match unit bus; whereas for C_MU_3_TYPE, all compare options are available because this match unit has only one connected signal bus type. The match counter width allows

a user to look for multiple occurrences of the match event. This counter width is controllable through the C_MU_xx_CNT_W parameter (xx is a place holder for 1-13). When this parameter is set to 0 only 1 occurrence is counted, otherwise the match event count is limited by the width of this parameter.

The number of match units to use is defined by the C_MU_xx_NUM parameter. By default if a match unit does not have the C_MU_xx_NUM parameter then only one match unit is used for the match group. If the C_MU_xx_NUM parameter is defined, then one or two match units are available for this match group. What this enables is looking at sequences of this particular match group. For instance in match group 2 you may want a trigger sequence to first look at PLB_PAVali d=1 followed by a rising edge on PLB_SaddrAck. For this specific trigger the first match unit is set to look for PLB_PAVali d=1 and the second is set for PLB_SaddrAck=R.

The first match unit is labeled 1a and 1b. The 1a group of signals makes up the reset and error flag signals. The 1b group contains master related error signals. The generator allows adding 1a, 1b or both of these groups to the core via the generic parameters C_USE_MU_1A, and C_USE_MU_1B respectively.

The second match unit has labels 2a, 2b, and 2c. The 2a signals contain 16 of the primitive ports which provide essential PLB bus transaction information. The 2b signals contain buses that identify widths and master information of the active transaction. The 2c label is used for the transaction attribute bus. The three subdivided match unit groups can be all or individually enabled using the parameters C_USE_MU_2A, C_USE_MU_2B, and C_USE_MU_2C.

The third, fourth, and fifth match units are used for the address, data write, and data read buses respectively. Each bus has a dedicated match unit so it can be individually

enabled and defined with unique C_MU_xx_TYPE pattern match units.

The 6a and 6b match units are used for the slave side interface. This match unit holds all the control and status ports of all the slaves on the PLB. Similarly, match units 11, 12 and 13 have all the control and status of all the masters.

Note: When these match units are enabled, all slaves or masters are enabled. You cannot individually enable a particular master.

The match units 7, 8, and 9 are slave side signals for BUSY, READ, and WRITE error controls going to the master. These units are broken out individually because this bus has one signal for each master on each slave. Consequently, you can have up to 256 signals on each one of these match units (if PLB goes to a 16 slave, 16 master solution).

The arbiter status signals can be monitored using match unit 10. The signals probed by this match unit can help identify the order of the PLB master transactions that are being sorted on the bus.

ChipScope PLB46 IBA Parameters

To create a ChipScope PLB46 IBA uniquely tailored for your system and to optimize performance, specific features can be parameterized on the PLB IBA. [Table 2](#) describes the features that can be parameterized.

The ChipScope PLB IBA peripheral supports multiple trigger units that connect to the PLB Control bus, Address bus, Data bus, lumped Slave or Master busses. Each one of these trigger units can be enabled and parameterized independently. [Table 2](#) lists all the parameters used in selecting the trigger port connections. These parameters define what signals are connected to the trigger ports, the match unit type, and if the signals are stored in the sample buffer.

Table 2: IBA_PLBv46 Design Parameters

Generic	Feature/Description	Parameter Name	Allowable Values	Default Value	VHDL Type
G1	Target Family	C_FAMILY	Spartan3, Spartan3E, Spartan3A, Spartan3ADSP, Spartan3AN, Virtex, VirtexE, Virtex4, Virtex5	Virtex5	String
G2	Device	C_DEVICE			String
G3	Device Package	C_PACKAGE			String
G4	Device speed grade	C_SPEEDGRADE			String
G5	Number of PLB Masters	C_PLBV46_NUM_MASTERS	1-8	2	Integer
G6	Number of PLB Slaves	C_PLBV46_NUM_SLAVES	1-8	1	Integer
G7	Number of bits required to encode the number of PLB Masters	C_PLBV46_MID_WIDTH	1-5	2	Integer

Table 2: IBA_PLBv46 Design Parameters (Continued)

Generic	Feature/Description	Parameter Name	Allowable Values	Default Value	VHDL Type
G8	PLB Address Bus Width	C_PLBV46_AWIDTH	32	32	Integer
G9	PLB Data Bus Width	C_PLBV46_DWIDTH	32,64,128	64	Integer
IBA Storage Options and Trig Out					
G10	Number of data samples captured for every trigger match. Note that the range of acceptable values depends on the C_FAMILY value.	C_NUM_DATA_SAMPLES	512, 1024, 2048, 4096, 8192, 16384, 32768, 65536, 131072	1024	Integer
G11	Number of sequencer levels. If 0 then no sequencer is used.	C_MAX_SEQUENCER_LEVELS	0-16	0	Integer
G12	1=Enable data store qualification (filtering) 0=Disable	C_ENABLE_STORAGE_QUALIFICATION	0,1	1	Integer
G13	Enable Trigger Out	C_ENABLE_TRIGGER_OUT	1,0	0	Integer
Trigger In, PLB Reset, and PLB Error Status					
G14	Use system reset and error status signals	C_USE_MU_1A_RST_ERR_STAT	1,0	1	Integer
G15	Use master error status signals	C_USE_MU_1B_MSTR_RST_ERR_STAT	1,0	0	Integer
G16	Use iba_trig_in	C_USE_MU_1C_TRIG_IN	1,0	0	Integer
G17	Trigger in width, 0=disable	C_MU_1_TRIG_IN_WIDTH	0-189	0	Integer
G18	0=basic, 1=basic w/ edges	C_MU_1_TYPE_TRIG_RST_ERR_STAT	0,1	0	Integer
G19	Match unit counter width. 0 means do not use.	C_MU_1_CNT_W_TRIG_RST_ERR_STAT	0,1-32	0	Integer
G20	1=Enable storing MU 1 signals in the data sample storage buffer. 0=Disable C_USE_MU_1A or C_USE_MU_1B must be 1 in order to store.	C_MU_1_EN_STORE_TRIG_RST_ERR_STAT	0,1	1	Integer
PLB Grouped Control Bus					
G21	Use the grouped control bus signals	C_USE_MU_2A_STD_CTL	1,0	1	Integer
G22	Use the grouped size and byte enable signals	C_USE_MU_2B_SIZE_BE	1,0	1	Integer
G23	Use PLB_TAttribute signals	C_USE_MU_2C_TATTR	1,0	1	Integer
G24	Number of match units to use	C_MU_2_NUM_GRP_CTL	1,2	1	Integer
G25	0=basic, 1=basic w/ edges	C_MU_2_TYPE_GRP_CTL	0,1	0	Integer
G26	Match unit counter width. 0 means do not use	C_MU_2_CNT_W_GRP_CTL	0,1-32	0	Integer
G27	1=Enable storing MU 2 signals in the data sample storage buffer. 0=Disable C_USE_MU_2A_STD_CTL or C_USE_MU_2B_SIZE_BE or C_USE_MU_2C_TATTR must be 1 in order to store.	C_MU_2_EN_STORE_GRP_CTL	0,1	1	Integer
PLB Address					
G28	Use PLB_ABus	C_USE_MU_3A_ABUS	1,0	1	Integer
G29	Use PLB_UABus	C_USE_MU_3B_UABUS	1,0	1	Integer

Table 2: IBA_PLBv46 Design Parameters (Continued)

Generic	Feature/Description	Parameter Name	Allowable Values	Default Value	VHDL Type
G30	0=basic, 1=basic w/ edges, 2=extended, 3= extended w/edges, 4=range, 5=range w/edges	C_MU_3_TYPE_ADDR	0,1,2,3,4,5	0	Integer
G31	Match unit counter width. 0 means do not use	C_MU_3_CNT_W_ADDR	0,1-32	0	Integer
G32	1=Enable storing MU 3 signals in the data sample storage buffer. 0=Disable C_USE_MU_3A_ABUS or must C_USE_MU_3B_UABUS be 1 in order to store.	C_MU_3_EN_STORE_ADDR	0,1	1	Integer
PLB Data					
G33	Use PLB_wrDBus	C_USE_MU_4_WR_DBUS	1,0	0	Integer
G34	0=basic, 1=basic w/ edges, 2=extended, 3= extended w/edges, 4=range, 5=range w/edges	C_MU_4_TYPE_WR_DBUS	0,1,2,3,4,5	0	Integer
G35	Match unit counter width. 0 means do not use.	C_MU_4_CNT_W_WR_DBUS	0,1-32	0	Integer
G36	1=Enable storing MU 4 signals in the data sample storage buffer. 0=Disable C_USE_MU_4_WR_DBUS must be 1 in order to store.	C_MU_4_EN_STORE_WR_DBUS	0,1	1	Integer
G37	Use PLB_srdDBus	C_USE_MU_5_RD_DBUS	1,0	1	Integer
G38	0=basic, 1=basic w/ edges, 2=extended, 3= extended w/edges, 4=range, 5=range w/edges	C_MU_5_TYPE_RD_BUS	0,1,2,3,4,5	0	Integer
G39	Match unit counter width. 0 means do not use	C_MU_5_CNT_W_RD_DBUS	0,1-32	0	Integer
G40	1=Enable storing MU 5 signals in the data sample storage buffer. 0=Disable C_USE_MU_5_RD_DBUS must be 1 in order to store.	C_MU_5_EN_STORE_RD_DBUS	0,1	1	Integer
Slave Control Bus					
G41	Use Slave Congrol signals	C_USE_MU_6A_SLV_CTL	1,0	0	Integer
G42	USE SI_rdWdAddr and SI_SSize	C_USE_MU_6B_SLV_SZ_WADDR	1,0	0	Integer
G43	Number of match units to use	C_MU_6_NUM_SLV_CTL_BUS	1,2	0	Integer
G44	0=basic, 1=basic w/ edges	C_MU_6_TYPE_SLV_CTL_BUS	0,1	0	Integer
G45	Match unit counter width. 0 means do not use	C_MU_6_CNT_W_SLV_CTL_BUS	0,1-32	0	Integer

Table 2: IBA_PLBv46 Design Parameters (Continued)

Generic	Feature/Description	Parameter Name	Allowable Values	Default Value	VHDL Type
G46	1=Enable storing MU 6 signals in the data sample storage buffer. 0=Disable C_USE_MU_6A_SLV_CTL or C_USE_MU_6B_SLV_SZ_WADDR must be 1 in order to store.	C_MU_6_EN_STORE_SLV_CTL_BUS	0,1	1	Integer
Slave Busy Status					
G47	USE SI_MBusy signal	C_USE_MU_7_SLV_BSY	1,0	0	Integer
G48	0=basic, 1=basic w/ edges	C_MU_7_TYPE_SLV_BSY	0,1	0	Integer
G49	Match unit counter width. 0 means do not use	C_MU_7_CNT_W_SLV_BSY	0,1-32	0	Integer
G50	1=Enable storing MU 7 signals in the data sample storage buffer. 0=Disable C_USE_MU_7_SLV_BSY must be 1 in order to store.	C_MU_7_EN_STORE_SLV_BSY	0,1	1	Integer
Slave Read/Writer Error Status					
G51	Use SI_MRdErr	C_USE_MU_8_SLV_RD_ERR	1,0	0	Integer
G52	0=basic, 1=basic w/ edges	C_MU_8_TYPE_SLV_RD_ERR	0,1	0	Integer
G53	Match unit counter width. 0 means do not use	C_MU_8_CNT_W_SLV_RD_ERR	0,1-32	0	Integer
G54	1=Enable storing MU 8 signals in the data sample storage buffer. 0=Disable C_USE_MU_8_SLV_RD_ERR must be 1 in order to store.	C_MU_8_EN_STORE_SLV_RD_ERR	0,1	1	Integer
G55	Use SI_MWrErr	C_USE_MU_9_SLV_WR_ERR	1,0	0	Integer
G56	0=basic, 1=basic w/ edges	C_MU_9_TYPE_SLV_WR_ERR	0,1	0	Integer
G57	Match unit counter width. 0 means do not use	C_MU_9_CNT_W_SLV_WR_ERR	0,1-32	0	Integer
G58	1=Enable storing MU 9 signals in the data sample storage buffer. 0=Disable C_USE_MU_9_SLV_WR_ERR must be 1 in order to store.	C_MU_9_EN_STORE_SLV_WR_ERR	0,1	1	Integer
PLB Arbitration					
G59	Use Master arbitration signals	C_USE_MU_10_ARB_CTL	1,0	0	Integer
G60	0=basic, 1=basic w/ edges	C_MU_10_TYPE_ARB_CTL	0,1	0	Integer
G61	Match unit counter width. 0 means do not use	C_MU_10_CNT_W_ARB_CTL	0,1-32	0	Integer
G62	1=Enable storing MU 10 signals in the data sample storage buffer. 0=Disable C_USE_MU_10_ARB_CTL must be 1 in order to store.	C_MU_10_EN_STORE_ARB_CTL	0,1	1	Integer

Table 2: IBA_PLBv46 Design Parameters (Continued)

Generic	Feature/Description	Parameter Name	Allowable Values	Default Value	VHDL Type
PLB Master Control Bus					
G63	Use Master Control Signals	C_USE_MU_11_MSTR_CTL	1,0	0	Integer
G64	Number of match units to use	C_MU_11_NUM_MSTR_CTL	1,2	1	Integer
G65	0=basic, 1=basic w/ edges	C_MU_11_TYPE_MSTR_CTL	0,1	0	Integer
G66	Match unit counter width. 0 means do not use	C_MU_11_CNT_W_MSTR_CTL	0,1-32	0	Integer
G67	1=Enable storing MU 11 signals in the data sample storage buffer. 0=Disable C_USE_MU_11_MSTR_CTL must be 1 in order to store.	C_MU_11_EN_STORE_MSTR_CTL	0,1	0	Integer
PLB Master Size and Type Status					
G68	Use Master Size and Type Signals	C_USE_MU_12_MSTR_SZ	1,0	0	Integer
G69	0=basic, 1=basic w/ edges	C_MU_12_TYPE_MSTR_SZ	0,1	0	Integer
G70	Match unit counter width. 0 means do not use	C_MU_12_CNT_W_MSTR_SZ	0,1-32	0	Integer
G71	1=Enable storing MU 12 signals in the data sample storage buffer. 0=Disable C_USE_MU_12_MSTR_SZ must be 1 in order to store.	C_MU_12_EN_STORE_MSTR_SZ	0,1	1	Integer
PLB Master Byte Enable					
G72	Use M_BE	C_USE_MU_13_MSTR_BE	1,0	0	Integer
G73	0=basic, 1=basic w/ edges	C_MU_13_TYPE_MSTR_BE	0,1	0	Integer
G74	Match unit counter width. 0 means do not use	C_MU_13_CNT_W_MSTR_BE	0,1-32	0	Integer
G75	1=Enable storing MU 13 signals in the data sample storage buffer. 0=Disable C_USE_MU_13_MSTR_BE must be 1 in order to store.	C_MU_13_EN_STORE_MSTR_BE	0,1	1	Integer

Table 2 lists the IBA PLBv46 parameterized features. These parameters control the ports that are attached to the IBA trigger and storage units. They also are used to configure the storage and match unit options available for the different trigger ports.

The IBA ports are subdivided into logical groups called match units, as shown in Table 1, page 2. Each one of these match units has a set of parameters which are used to enable and define the trigger port configuration for a particular set of PLBv46 signals.

Every match unit group has a match type and match counter width parameter. The match unit type describes the type of compare operation that can be done on a match unit. The valid values for this type are defined for each match unit. For example, C_MU_1_TYPE only supports

basic and basic with edges since multiple signals make up this match unit. Alternately, for C_MU_3_TYPE all compare options are available since this match unit has the complete PLB_ABus bus connected to it. The match counter width allows you to look for multiple occurrences of the match event. This counter width is controllable through the C_MU_xx_CNT_W parameter (where xx is a place holder for the MU signal value, 1-13). When this parameter is set to 0, only one occurrence is counted; otherwise, the maximum match event count is limited by the width of this parameter.

The number of match units is defined by the C_MU_xx_NUM parameter. By default, if a match unit does not have the C_MU_xx_NUM parameter, only one match unit is used for the match unit group. If the C_MU_xx_NUM parameter is defined, then one or two match units can be

assigned for this match group. When multiple match units are available, sequences of a match unit group can be detected. For example, in MU_2, a trigger sequence could be created to look for PLB_PAVValid=1 followed by a rising edge on PLB_SaddrAck. For this specific trigger event the first match unit of MU_2 would be set to PLB_PAVValid=1 and the second to PLB_SaddrAck=R.

Allowable Parameter Combinations

All parameters are independent of each other. Each parameter must be in the range or exact value listed in the allowable values of Table 2. Certain combinations will disable the sub-parameters. As an example consider when C_USE_MU_3 is set to 0. In this case all the C_MU_3_<XYZ> parameters are ignored because the match unit group has been disabled.

Depending on the architecture certain parameters may fail during a design rule check. For instance, if you specify C_NUM_DATA_SAMPLES to be 32768 for a non-Virtex-5 device, you will get an error message. Also there you must have a width of at least one signal going to the data sample storage buffer.

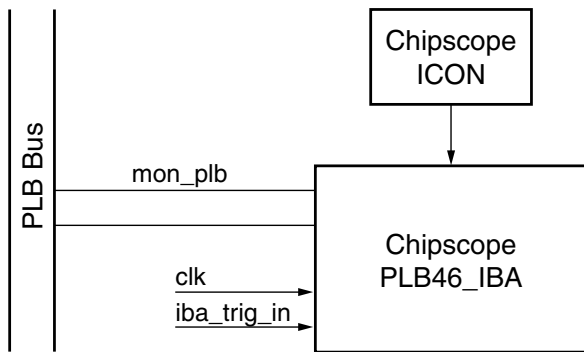
ChipScope PLB46 IBA Module Register Descriptions

Not applicable.

ChipScope PLB46 IBA Module Interrupt Descriptions

Not applicable.

ChipScope PLB46 IBA Module Block Diagram



DS619_02_041707

Figure 1: ChipScope PLB46 IBA Block Diagram

Design Implementation

The ChipScope PLB IBA design is implemented in a Tcl script. When the EDK Platgen tool is run, this Tcl script is called and it internally calls the ChipScope Pro Core generator in command line mode providing a generated argument (.arg) file to create a customized ILA. This ILA is customized per the IBA settings and is attached to the PLB46 bus using a custom HDL wrapper.

XST is the synthesis tool used for synthesizing the wrapper HDL generated for the ChipScope PLB IBA. The EDIF netlist output from XST and ChipScope Core Generator are then input to the Xilinx Foundation tool suite for actual device implementation.

Target Technology

The intended target technology is all Xilinx FPGAs.

Device Utilization and Performance Benchmarks

The device utilization varies widely based on the parameter combinations set by the user.

Restrictions

Maximum number of signals that can be stored for non-Virtex-5 device families is limited to 256 signals. For Virtex-5 family devices the limit is 1024 signals.

Reference Documents

ChipScope Pro Software and Cores User Guide

Revision History

Date	Version	Revision
08/02/07	1.0	Initial release

Free Manuals Download Website

<http://myh66.com>

<http://usermanuals.us>

<http://www.somanuals.com>

<http://www.4manuals.cc>

<http://www.manual-lib.com>

<http://www.404manual.com>

<http://www.luxmanual.com>

<http://aubethermostatmanual.com>

Golf course search by state

<http://golfingnear.com>

Email search by domain

<http://emailbydomain.com>

Auto manuals search

<http://auto.somanuals.com>

TV manuals search

<http://tv.somanuals.com>