

# RealPort Ethernet 10/100 + Modem 56

## SPECIFICATIONS

### Models Available:

#### REM56G-100BTX

#### RealPort Ethernet 10/100 + Modem 56

Supports both 10Base-T and 100Base-TX networks and modem speeds up to 56Kbps with GSM and ISDN capabilities

### Integrated Connectors

Ethernet Connector RJ-45  
Modem Connector RJ-11  
Telephone Pass-through RJ-11  
Connector for GSM 900, DCS 1800, PCS 1900 handset cable or for ISDN Connection Kit

### Physical Characteristics

Type III PC Card

Size: 86 x 54 x 10.5 mm  
(3.37 x 2.13 x .413 inches)

Weight: 36 g (1.3 oz)

### Model Numbers for GSM Connection Kits

Optional GSM Connection Kits will be available for major handsets such as Ericsson and Nokia. See the Xircom web site at [www.xircom.com](http://www.xircom.com) for availability.

### Certification

FCC Part 15, FCC Class B,  
Canada DOC, CE Mark  
For country specific approvals see the Xircom website

### Modem Specifications

#### Data Modulation

- V.90/K56flex up to 56000 bps
- V.34 up to 33600 bps
- V.32terbo at 19200 and 16800 bps
- V.32bis at 14400, 12000, 9600, 7200 bps  
uncoded at 4800 bps
- V.32 at 9600 bps uncoded at 4800 bps
- V.22bis at 2400 bps V.22 at 1200 bps
- V.23 at 1200, 75 bps, Bell 212A at 1200 bps

#### Fax Modulation/Support

V.17 at 14400, 12000, 9600, 7200 and 4800 bps  
V.29 at 9600, 7200, and 4800 bps  
V.27 at 4800 and 2400 bps

#### Fax Support

Group 3, EIA/TIA; Class 1

#### Ethernet Standards

IEEE 802.3 for 10Base-T  
IEEE 802.3u for 100Base-TX  
10/20Mbps full-duplex (10Mbps networks only)

#### Error Control

V.42/MNP Levels 2-4

#### Data Compression

V.42bis (4:1) or MNP Level 5 (2:1)

### Command Set

Hayes, Microcom compatible AT commands

### Flash Memory

4 Mb of memory accomodates dual mode operation for V.90 and K56flex

### Non-volatile RAM

1 user-definable profile; up to 2 thirty-six digit telephone numbers; LAN adapter ID and serial number

### GSM Specifications

#### Data

Data Transmission Speeds  
Full-duplex at 9600; 4800; 2400  
Data transmission in Transparent mode (V.110\*) and Non-transparent mode (Radio Link Protocol - RLP)  
Industry standard AT command set supported (TIA 602)  
Additional Mobile AT command set (ETSI GSM 07.07)  
Mobile Originated (MO)  
Mobile Terminated (MT)  
V.42 and MNP 2 error correction  
V.42bis (4:1), MNP 5 (2:1) data compression

#### Fax

Sending and receiving (MO-MT)  
Group III, Class 1  
ETSI GSM 03.45 compliant  
Speeds of 9600 supported  
GSM TS 03.45

#### SMS

Mobile originated, Mobile terminated  
ETSI GSM 07.05 compliant  
Up to 160 Characters

#### ISDN

By end 1998 a ISDN Connection Kit will be available offering an active BRI (2B+D) solution for high speed connectivity. Please check our website regularly for more details.

#### Hardware Compatibility

Supports all popular PC Card compliant PCs, including Acer, AST, Compaq, DEC, Dell, Hewlett Packard, Gateway 2000, IBM, Micron, NEC, Packard Bell, Sharp, Texas Instruments, Toshiba and Zenith Data Systems.

### Software Compatibility

#### Card and Socket Services

Supports Card and Socket Services including Award, Databook, IBM, Phoenix, SystemSoft, and VMI

#### Network Operating Systems

Supports all popular network operating systems including Novell NetWare, Microsoft Windows NT, Windows 95, Windows 3.x, Microsoft LAN Manager, Artisoft LANtastic, Banyan VINES, DEC Pathworks and IBM OS/2

#### Warranty

Limited Lifetime hardware, 2 years software

#### Support

Xircom introduces an extensive family of service and support programs, including phone support in English, French, German and Dutch from 9 AM to 6 PM (GMT + 1:00), product upgrades, plus 24-hour access to our BBS, World Wide Web, and other electronic facilities.

\* US Pat. No. 5,773,332 additional US and foreign patents pending

\*\* 56Kbps refers to server download speed only. Download speeds of 56K are currently unavailable in the U.S. Other country-specific regulations may impose similar limits. Additional technical information on 56Kbps performance can be found at [www.xircom.com/56](http://www.xircom.com/56).



#### GSM Connection Kits

Xircom GSM Connection Kits enable you to access information on the go via the most popular GSM digital cellular handsets including Ericsson and Nokia.

#### International Modem Travel Kit

Xircom's International Modem Travel Kits enables you to connect your modem to telephone systems in over 160 countries worldwide.

#### International Electrical Connector Kit

10 electrical adapters to connect your notebook to electrical sockets anywhere in the world.

For more information on where to buy the RealPort Ethernet 10/100+Modem 56, please contact Xircom or visit our web site at:

[www.xircom.com](http://www.xircom.com)



#### XIRCOM EUROPE, MIDDLE EAST & AFRICA

Veldkant 39  
2550 Kontich, Belgium  
+32/(0)3 450.08.11  
+32/(0)3 450.09.90 Fax  
mobilexp@xircom.com — e-mail for information

#### Customer Support

+32/(0)70 233.307 English  
+32/(0)70 233.850 German  
+32/(0)70 233.851 French  
+32/(0)70 233.852 Dutch  
+32/(0)70 233.306 Fax  
+32/(0)70 233.163 BBS  
eurots@xircom.com — e-mail to Customer Support

#### Regional Sales Offices

United Kingdom +44/(0) 1256 332 552  
+44/(0) 1256 332 553 Fax  
France +33/(0) 1 34.63.09.40  
+33/(0) 1 34.63.09.41 Fax  
Sweden +46/(0) 8 590.332.80  
+46/(0) 8 590.717.81 Fax  
Germany +49/(0) 89 46.23.02.0  
+49/(0) 89 46.23.02.10 Fax

#### XIRCOM CORPORATE HEADQUARTERS

2300 Corporate Center Drive  
Thousand Oaks, CA 91320  
+1/(805) 376-9300  
+1/(805) 376-9311 Fax

©1998 Xircom, Inc. Xircom is a registered trademark of Xircom, Inc. Other trademarks used in this publication and designated by (TM) or (SM) are trademarks/services of Xircom, Inc. Notice: Some of the product names herein have been used for identification purposes only and may be trademarks of their respective companies. Specifications subject to change without notice.

### What is the V.90 standard ?

The International Telecommunication Union (ITU) is the global standards body which develops and approves telecommunications standards. An ITU committee has been working since March 1997 to develop a draft standard, called V.pcm (pcm for pulse code modulation) in an attempt to harmonize the competing standards, x2 and K56flex. On February 6, 1998, the ITU agreed on the technical specification for V.pcm, now designated V.90.

V.90 has now been sent out to ballot, which means that the members that will build products based on the V.90 specification agree to conduct field and interoperability tests to confirm the viability of the standard. As such, it is possible that the standard will be modified to accommodate functional or interoperability issues during this balloting process. The ITU is scheduled to meet again to ratify the standard in September 1998.

Modem Technology By  
microelectronics group



Lucent Technologies

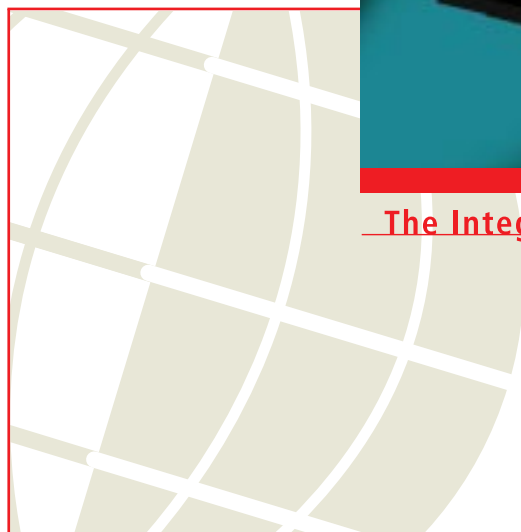


## RealPort™ Ethernet 10/100 + Modem 56



The Integrated PC Card

Nothing to Break. Nothing to Lose.



Get mobile.  
Stay connected.  
Go places.

## RealPort Ethernet 10/100 + Modem 56

Xircom breaks new ground in mobile connectivity with its RealPort Ethernet 10/100+Modem 56, the industry's first 16-bit Integrated PC Card with built-in connector system. The patented\* RealPort Integrated PC Card has all the features you need to connect to information in the office or on the road, anywhere in the world. One PC Card, no custom cables to lose. Just plug your standard RJ-45 Ethernet and RJ-11 telephone cables directly into this elegantly designed Integrated PC Card and you're ready to access information from virtually anywhere. When you're finished, just unplug the cables, close the PC Card slot door on your notebook and go! Communicating via your notebook PC has never been so robust, reliable or easy to use.



This Integrated PC Card combines the fastest 10/100Mbps Ethernet and 56K\*\* modem technology available, GSM and ISDN connectivity, and GlobalACCESS features in a single cable-free PC Card. This industry-first integrated PC Card makes mobile communication easier than ever.

### FEATURES & BENEFITS

#### Robust Integrated Connectors

- Integrated Ethernet LAN, modem and telephone handset pass-through connectors provide reliable cable-free connectivity
- Uses standard RJ-45 Ethernet and RJ-11 telephone cables

#### Easy to Use

- Forward and backward driver compatibility with Xircom GlobalACCESS CreditCard Ethernet 10/100+Modem 56
- LEDs for status information at a glance
- Telephone handset pass-through allows receipt of incoming calls on your handset without disconnecting the modem cable
- Digital Shield™ protects modem from high-current digital phones lines
- HotSwap support makes it easy to exchange PC Cards without reloading card drivers
- Multilingual documentation provides easy set-up instructions in English, French, German, Italian and Spanish
- Multilingual online troubleshooting information

#### Anytime, Anywhere Use

- GlobalACCESS™ features including extensive country telecom approvals and CountrySelect™ software, which automatically configures your modem to local dialling conventions
- Send and receive data, faxes and SMS messages via a variety of popular GSM 900, DCS 1800 and PCS 1900 mobile phones.
- Send and receive data and faxes via ISDN (as of end 1998)

#### Longer Battery Life

- BatterySave™ software powers down adapter when not in use for longer battery life

#### High Performance

- Connects notebooks to either 10Mbps or 100Mbps Ethernet networks, with auto-negotiation of network speed
- Advanced Look-Ahead Pipelining increases Ethernet throughput up to 60 percent
- Full Duplex Ethernet at 10Mbps doubles throughput in full-duplex environments
- Supports modem speeds up to 56Kbps, with dual V.90 and K56flex capabilities (after upgrade to 56K ITU standard)

#### Investment Protection

- A single adapter supports both 10Mbps or 100Mbps Ethernet networks
- Flash ROM-upgradable to the 56K ITU standard (V.90) at no charge
- GSM capable with optional GSM Connection Kits.
- ISDN capable with optional ISDN Connection Kit (as of end 1998)

#### Reduced Total Cost of Ownership

- Integrated PC Card reduces support calls, user down time and eliminates cable replacement



# REALPORT Integrated PC Card

Nothing to Break.  
Nothing to Lose.

With the patented Xircom RealPort Integrated PC Card, communicating via your notebook PC has never been more robust, reliable or easy to use. Its built-in connector system eliminates the worries of lost or broken cables. All you need are standard Ethernet and telephone cables, and you're ready to access information anytime, anywhere.



1. Slide into PC Card slot.



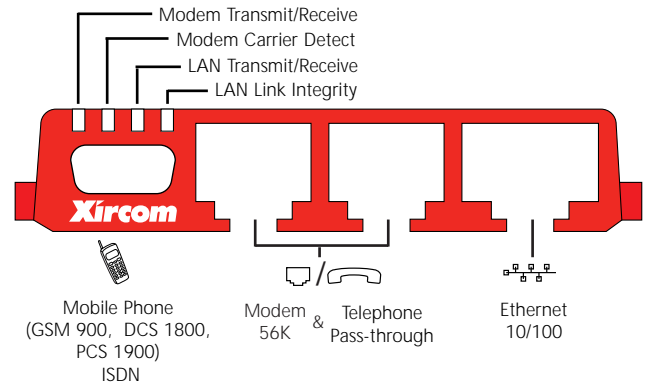
2. Plug in standard LAN & phone cables.



3. Ready to access information in the office or on the road.



4. When finished, unplug, close the door and go!



**A XIRCOM  
EXCLUSIVE!**

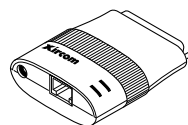
## THE REALPORT INTEGRATED PC CARD ADVANTAGE

The Xircom RealPort Integrated PC Card provides the easiest, most reliable PC Card connectivity available. The modem and Ethernet connectors are built-in, eliminating the worries of lost or broken cables. Just plug your standard RJ-45 Ethernet and RJ-11 telephone cables directly into this Integrated PC Card. It also features GSM and ISDN capabilities, and a telephone handset pass-through, so you can answer your incoming calls without removing your modem connection.

Xircom's cable-free Integrated PC Card form factor is a natural evolution in mobile connectivity. From Xircom's patented external Pocket Ethernet Adapter, to the smaller, neater internal PC Card adapter that requires custom cables, to the new patented RealPort Integrated PC Card, Xircom continues to bring you the latest and most convenient solutions for all your mobile connectivity requirements!

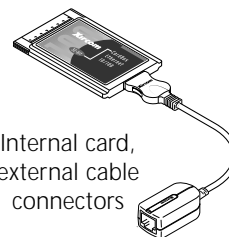
## FORM FACTOR EVOLUTION

Pocket Adapter



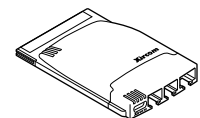
Fully external

PC Card



Internal card,  
external cable  
connectors

Integrated PC Card



Fully internal

INCREASING CONVENIENCE



## Free Manuals Download Website

<http://myh66.com>

<http://usermanuals.us>

<http://www.somanuals.com>

<http://www.4manuals.cc>

<http://www.manual-lib.com>

<http://www.404manual.com>

<http://www.luxmanual.com>

<http://aubethermostatmanual.com>

Golf course search by state

<http://golfingnear.com>

Email search by domain

<http://emailbydomain.com>

Auto manuals search

<http://auto.somanuals.com>

TV manuals search

<http://tv.somanuals.com>