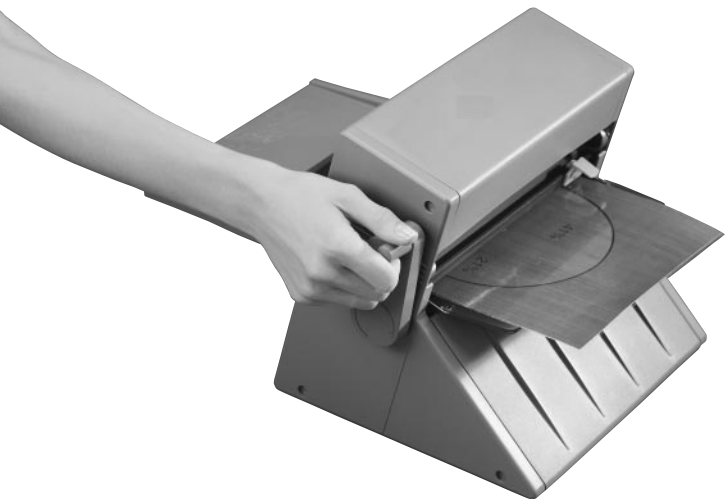


# Xyron Adhesive Application & Laminating System



User's Guide

**XYRON**<sup>®</sup> 850

**XYRON**<sup>®</sup> 1200

The Xyron 850 / Xyron 1200 is designed to be used with one of the following replacement cartridges:

SL/DL: Double- and single sided lamination.

LAT: Front lamination with adhesive transfer on the reverse.

AT: Single - sided adhesive transfer.

Please follow the attached directions carefully.

Important Notice :

Your Xyron 850 / Xyron 1200 system is designed to permanently attach a clear film or adhesive to the front and/or back of any substrate that is run through the machine. The lamination film and adhesive are not designed to be removed without substantial damage to the laminated substrate. This process is NOT recommended for any precious or single source documents.

# GB Parts and Functions

## Replaceable Supply Cartridge

Holds various lengths and combinations of film and adhesive depending upon application.

## Document Feed Paddle

Helps ensure wrinkle-free output by providing slight back-tension on document.

## Document Feed Tray

Used to guide document into dispenser. Leading edge of document slides in between tray and paddle during insertion. Align to right for A3/A4 documents, to the left for letter documents.

## Handle

Used to advance cartridge supplies when rotated clockwise. Also, feeds document through dispenser.

## Document Output

Location where document exits dispenser when handle is rotated clockwise.

## Roller Springs

Provide spring force on rollers. Remove springs to remove rollers and cut-blade.

## Cut Blade

Slides to the left and right to cut output material after it exits dispenser. Also can be used to trim excess material from leading edge of document.

## Setting Up

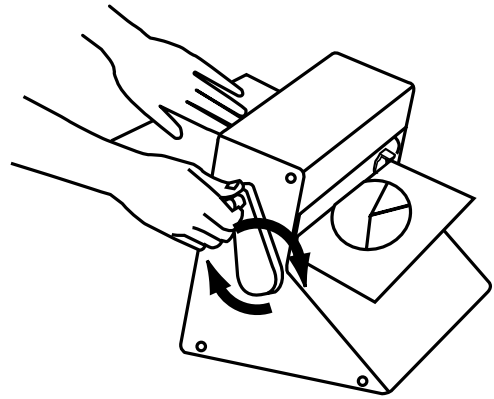
Remove the Xyron System and Document Feed Tray from the packaging. The System is shipped with a sample supply cartridge already installed. Install the feed tray by inserting it horizontally into the cartridge opening by the grooves in the left and right dispenser side plates as shown below. When correctly installed, the tray will rest horizontally.

Document Feed Tray Assembly

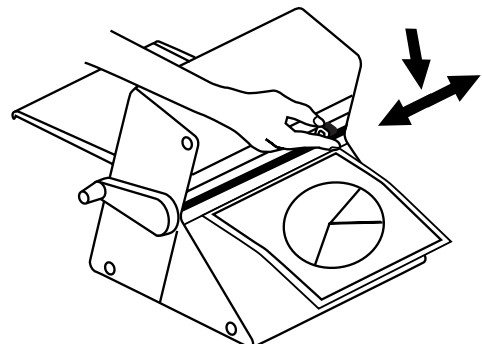
Cartridge (reference)

Lower groove in dispenser side plates

Upper groove in dispenser side plates



Step 2 - Gently guide the document forward while turning the handle clockwise.



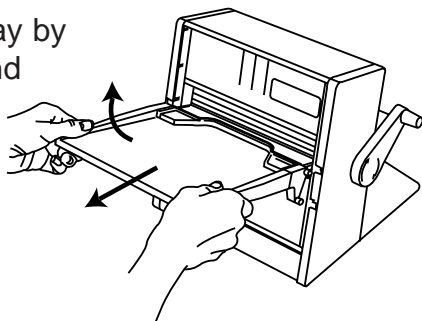
Step 3 - Trim to desired length using the cut blade at the roller exit. Apply pressure down on the orange blade holder and slide to the left or right.

## Basic operation

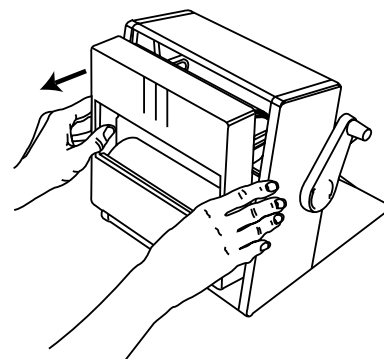
Step 1 - Insert and align document on feed tray. Extend the document completely into the cartridge opening. Align to the left for letter size documents, to the right for A3/A4 documents.

# GB Cartridge Replacement

Remove feed tray by lifting upward and gently pulling away from dispenser.



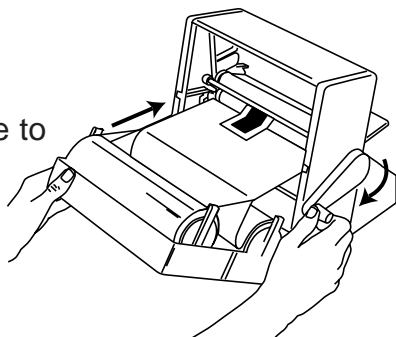
Remove used supply cartridge by pulling outward. If there is film between the rollers, turn handle counter-clockwise.



## To Install New Cartridges

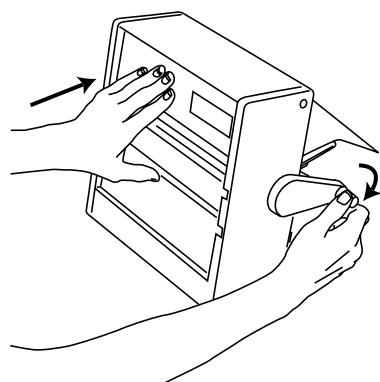
Position cartridge leader between the rubber rollers in dispenser.

Turn handle clockwise to advance film

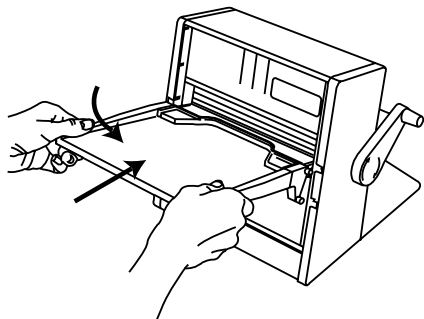


Insert new supply cartridge.

Continue to turn handle until film is aligned and wrinkle-free.

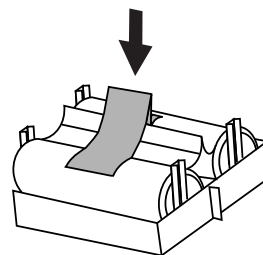


Install feed tray and trim off excess film using cut blade.

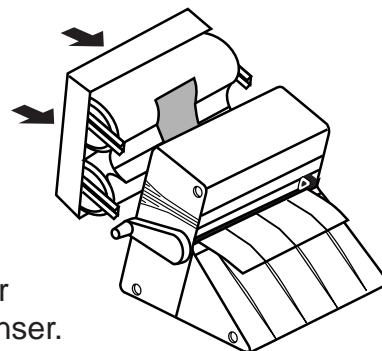


## To Install Part-used Cartridges

Attach reusable cartridge starter tool to partially used supply cartridge.

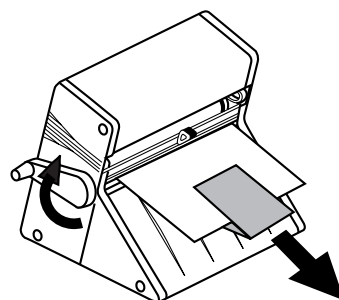


Insert partially used supply cartridge into dispenser. **Note:** tool should be positioned between rubber rollers in dispenser.

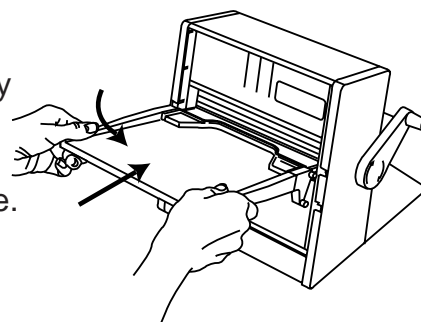


Turn handle clockwise until tool has exited dispenser and film is aligned and wrinkle-free.

Store reusable cartridge starter tool for later use.



Install feed tray and trim off excess film using cut blade.



Supplies available for:

**XYRON® 850**

**XYRON® 1200**

Laminating Cartridges (DL and SL Series)	Laminating Cartridges (DL Series)
<b>DL201-100</b> Two-Sided Lamination General use - Gloss Finish <b>SL201-100</b> One-Sided Lamination General use - Gloss Finish <b>DL601-200</b> 2 x Two-Sided Lamination General use 4 inch (106mm) <b>SL601-200</b> 4" w - One-Sided Lamination General Use - Gloss Finish	<b>DL1101-100</b> Two-Sided Lamination General use - Gloss Finish <b>SL1101-100</b> One-Sided Lamination General use - Gloss Finish
Adhesive Application Cartridges (AT Series)	Adhesive Application Cartridges (AT Series)
<b>AT201-50</b> Adhesive Application - Permanent High Tack <b>AT202-50</b> Adhesive Application - Permanent Low Tack <b>AT205-50</b> Adhesive Application - Permanent Acid Free <b>AT206-50</b> Adhesive Application - Non Permanent Repositionable <b>AT601-100</b> 2 x Adhesive Application - Permanent High Tack 4 inch (106mm)	<b>AT1101-50</b> Adhesive Application - Permanent High Tack <b>AT1105-50</b> Adhesive Application - Permanent Acid Free <b>AT1106-50</b> Adhesive Application - Non Permanent Repositionable
Combination One Side Lamination / One Side Adhesive Application (LAT Series)	Combination One Side Lamination / One Side Adhesive Application (LAT Series)
<b>LAT201-50</b> 1 Side Laminate / 1 Side Adhesive Application (General Use Laminate / Permanent High Tack Adhesive) <b>LAT202-50</b> 1 Side Laminate / 1 Side Adhesive Application (General Use Laminate / Permanent Low Tack Adhesive) <b>LAT206-50</b> 1 Side Laminate / 1 Side Adhesive Application (General Use Laminate / Non-permanent Repositionable Adhesive)	<b>LAT1101-50</b> 1 Side Laminate / 1 Side Adhesive Application (General Use Laminate / Permanent High Tack Adhesive) <b>LAT1106-50</b> 1 Side Laminate / 1 Side Adhesive Application (General Use Laminate / Non Permanent Repositionable Adhesive)
Combination One Side Lamination / One Side Magnet (LM Series)	Combination One Side Lamination / One Side Magnet (LM Series)
<b>LM201-12</b> 1 Side Laminate / 1 Side Magnet (General Use Laminate / Magnet Backing)	<b>LM1101-10</b> 1 Side Laminate / 1 Side Magnet (General Use Laminate / Magnet Backing)

**Xyron Technical Hotline**  
**1-800-793-3523 - USA**  
**+45-7594-5866 - Europe**

**XYRON®**

Xyron, Inc.  
 15820 North 84th Street  
 Scottsdale, AZ 85260, USA  
 1-800-793-3523  
 FAX: 480-443-0118

[www.xyron.com](http://www.xyron.com)

**XYRON®**

Xyron, Inc. USA  
 Xyron Europe A/S  
 Xyron Asia  
 © 2001 Xyron, Inc.

## Free Manuals Download Website

<http://myh66.com>

<http://usermanuals.us>

<http://www.somanuals.com>

<http://www.4manuals.cc>

<http://www.manual-lib.com>

<http://www.404manual.com>

<http://www.luxmanual.com>

<http://aubethermostatmanual.com>

Golf course search by state

<http://golfingnear.com>

Email search by domain

<http://emailbydomain.com>

Auto manuals search

<http://auto.somanuals.com>

TV manuals search

<http://tv.somanuals.com>