

ELECTRIC GUITAR AES820 SERVICE MANUAL



WARNING : CHEMICAL CONTENT NOTICE!

The solder used in the production of this product contains LEAD. In addition, other electrical/electronic and/or plastic (Where applicable) components may also contain traces of chemicals found by the California Health and Welfare Agency (and possibly other entities) to cause cancer and/or birth defects or other reproductive harm.

DO NOT PLACE SOLDER, ELECTRICAL/ELECTRONIC OR PLASTIC COMPONENTS IN YOUR MOUTH FOR ANY REASON WHAT SO EVER!

Avoid prolonged, unprotected contact between solder and your skin! When soldering, do not inhale solder fumes or expose eyes to solder/flux vapor!

If you come in contact with solder or components located inside the enclosure of this product, wash your hands before handling food.

■ CONTENTS

OVERALL ASSEMBLY	2
CIRCUIT BOARD	4
CIRCUIT DIAGRAM	5
WIRING	5
SPECIFICATIONS	6

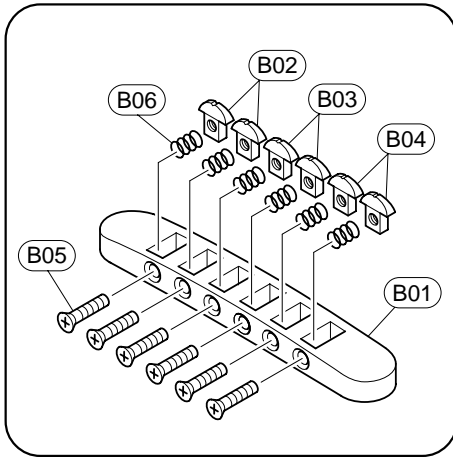
This document is printed on chlorine free (ECF) paper with soy ink.

EG 011618

 **YAMAHA**
HAMAMATSU, JAPAN

OVERALL ASSEMBLY

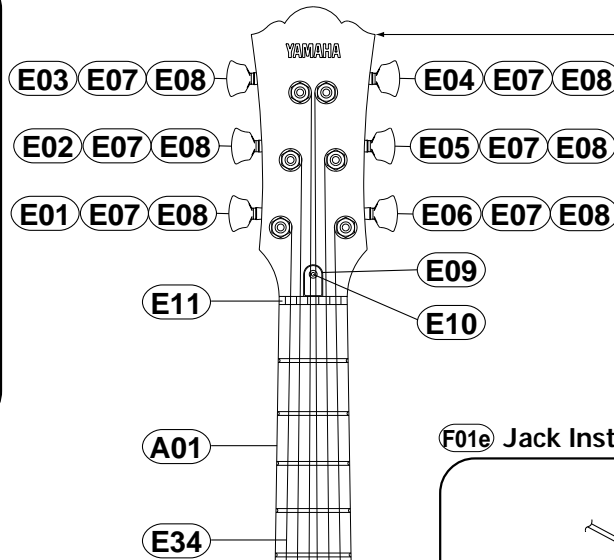
E20 Bridge Assembly: Ping Well TP6-05Y (QC656000)



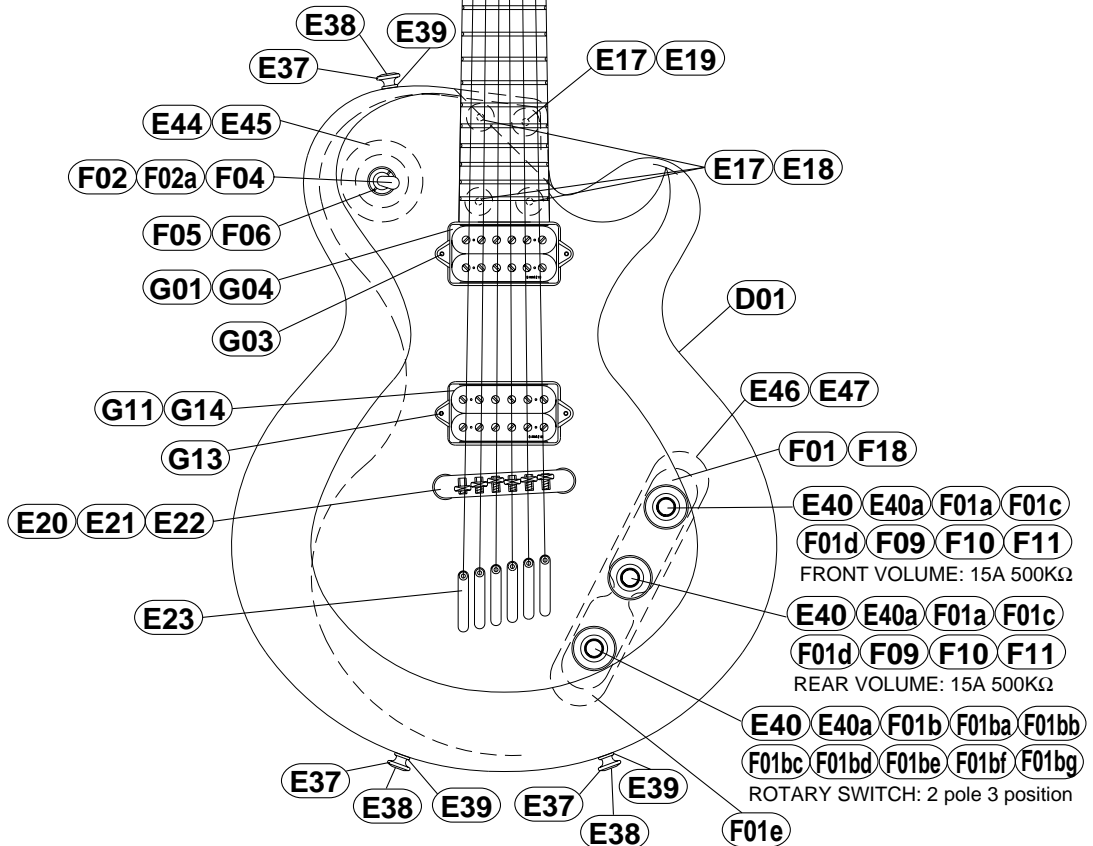
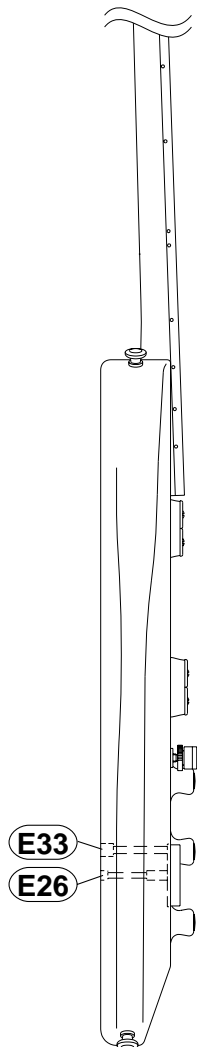
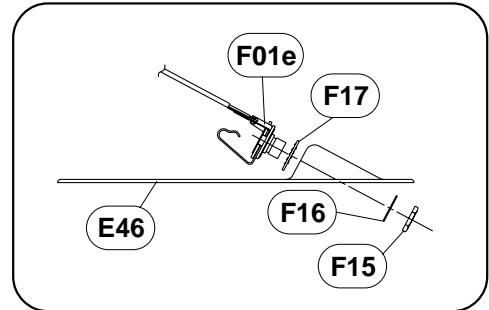
A01a

A seal is attached on the rear of the neck.

AES820



F01e Jack Installation



FRONT VOLUME: 15A 500KΩ

REAR VOLUME: 15A 500KΩ

ROTARY SWITCH: 2 pole 3 position

REF NO.	PART NO.	DESCRIPTION		REMARKS	QTY	RANK
		OVERALL ASSEMBLY		AES820		
* A01	AAX33280	Neck Assembly		(BL)		
A01a	--	Seal		(QC66280)		
D01	--	Body				
* E01	QC663500	Tuning Machine Assembly 1E	Trim-Lok NB1PSC	Chrome		
* E02	QC663600	Tuning Machine Assembly 2B	Trim-Lok EXB2PSC	Chrome		
* E03	QC663700	Tuning Machine Assembly 3G	Trim-Lok LEXB3PSC	Chrome		
* E04	QC663800	Tuning Machine Assembly 4D	Trim-Lok LEXB4PSC	Chrome		
* E05	QC663900	Tuning Machine Assembly 5A	Trim-Lok EXB5PSC	Chrome		
* E06	QC664000	Tuning Machine Assembly 6E	Trim-Lok NB6PSC	Chrome		
E07	--	Nut	Chrome	with Tuning Machine Ass'y	6	
E08	--	Washer	Chrome	with Tuning Machine Ass'y	6	
* E09	QC651900	Rod Cover	Chrome			
E10	TY006000	Oval Head Wood Screw	2.4X13 FCM33G	Chrome		
E11	QC574100	Nut	Urea 43mm (Black)			
E17	QC205200	Neck Joint Bushing	Black		4	04
* E18	QC685200	Oval Head Tapping Screw	4.5X40 FCM3BL	Black	3	
* E19	QC685100	Oval Head Tapping Screw	4.5X35 FCM3BL	Black		
* E20	QC656000	Bridge Assembly	Ping Well TP6-05Y	Chrome		
* E21	QC656800	Bridge Adjusting Screw	Ping Well TP6-05SN	Chrome	2	
E22	QC286300	Nut	Ping Well TP6-3BC	Chrome	2	03
* E23	QC651700	Tailpiece Assembly	Ping Well TP6-01Y	Chrome	6	
* E26	QC668700	Cap Screw	M3.0X30 (Black)		6	
* E33	QC668600	Bushing	Black		6	
E34	--	Strings	D'addario XL-120	1set (QC16510)		
* E37	QC656100	Strap Button	SG-type (Chrome)		3	
E38	QA132800	Oval Head Tapping Screw	3.5X25 FCM33G	Chrome	3	
E39	VB793700	Spacer	Felt (Black)		3	01
E40	QC541700	Knob Assembly	Chrome		3	05
E40a	QC532900	Screw	M3.0X3 (Black)		3	01
E44	CB023450	Back Cover	Switch (Black)			03
E45	EB620020	Oval Head Wood Screw	2.7X13 FCM3BL	Black	2	03
* E46	QC652000	Back Cover	Electrical (Black)			
E47	EB620020	Oval Head Wood Screw	2.7X13 FCM3BL	Black	4	03
F01	--	Electrical Unit		(QC66420)		
F01a	HS120070	Variable Resistor	15A 500K ohm	FRONT/REAR VOLUME	2	03
F01b	--	Electrical Unit (Switch)		(QC66440)		
* F01ba	QC664900	Rotary Switch	2pole 3P SRBU13S			
F01bb	--	Hexagonal Nut	9S	with Rotary Switch		
F01bc	--	Flat Washer	9S	with Rotary Switch		
F01bd	--	Circuit Board		(QC66480)		
F01be	UA114220	Mylar Capacitor	0.022uF 50V K			01
F01bf	UA114470	Mylar Capacitor	0.047uF 50V K			01
* F01bg	QC665100	Trimmer Potentiometer	B20K ohm			
F01c	FG212680	Ceramic Capacitor	680pF 50V		2	01
F01d	HF858150	Resistor	150K ohm 1/6W		2	01
F01e	QC234900	Jack	Korea Open-type			04
F02	--	Electrical Unit		(QC66430)		
F02a	QC546700	Pickup Switch	3P Toggle			06
* F04	QC656300	Knob	Chrome			
F05	--	Nut	Chrome	with Pickup Switch		
F06	VA295700	Washer	Black	with Pickup Switch		02
F09	--	Hexagonal Nut	8S	with Volume	4	
F10	--	Flat Washer	8S	with Volume	2	
F11	--	Toothed Lock Washer	8S	with Volume	2	
F15	AA820860	Hexagonal Nut	9S MFZN2BL (Black)			01
F16	AA820850	Flat Washer	9S MFZN2BL (Black)	with Jack		01
F17	ET800180	Toothed Lock Washer	9S FNM33G (Nickel)			01
F18	EA620060	Round Head Wood Screw	2.7X13 FCM33G	Chrome	2	03
* G01	QC664500	Pickup Assembly	DiMarzio YHNQ4BKLR	FRONT		
G03	20454100	Oval Head Tapping Screw	2.4X16 FCM3BL	Black	2	01
G04	QC556400	Pickup Cushion				02
* G11	QC664600	Pickup Assembly	DiMarzio YHWQ4BKL	REAR		
G13	20454100	Oval Head Tapping Screw	2.4X16 FCM3BL	Black	2	01
G14	QC556400	Pickup Cushion				02

*: New Parts

RANK: Japan only

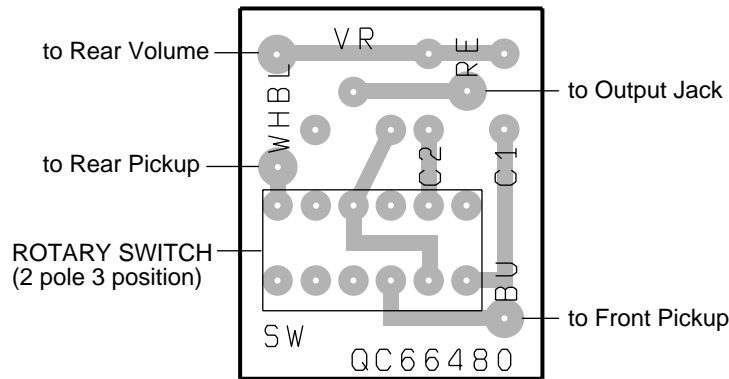
NOTE: The parts list continues to the next page.

REF NO.	PART NO.	DESCRIPTION		REMARKS	QTY	RANK
H01	QC354000 QA262600 --	Accessory Unit Cord Wrench	G-1 D #5		1set	07 05
*	QC656000	Bridge Assembly	Ping Well TP6-05Y	Chrome		
* B01	QC651600	Bridge Base	Chrome			
* B02	QC651500	Bridge Saddle	Chrome	5,6 Strings	2	
* B03	QC655800	Bridge Saddle	Chrome	3,4 Strings	2	
* B04	QC655900	Bridge Saddle	Chrome	1,2 Strings	2	
* B05	QC656900	Flat Head Screw	3.0X12 FCM33G	Chrome	6	
* B06	QC656700	Bridge Spring	L=8 (Nickel)		6	

*: New Parts

RANK: Japan only

■ CIRCUIT BOARD

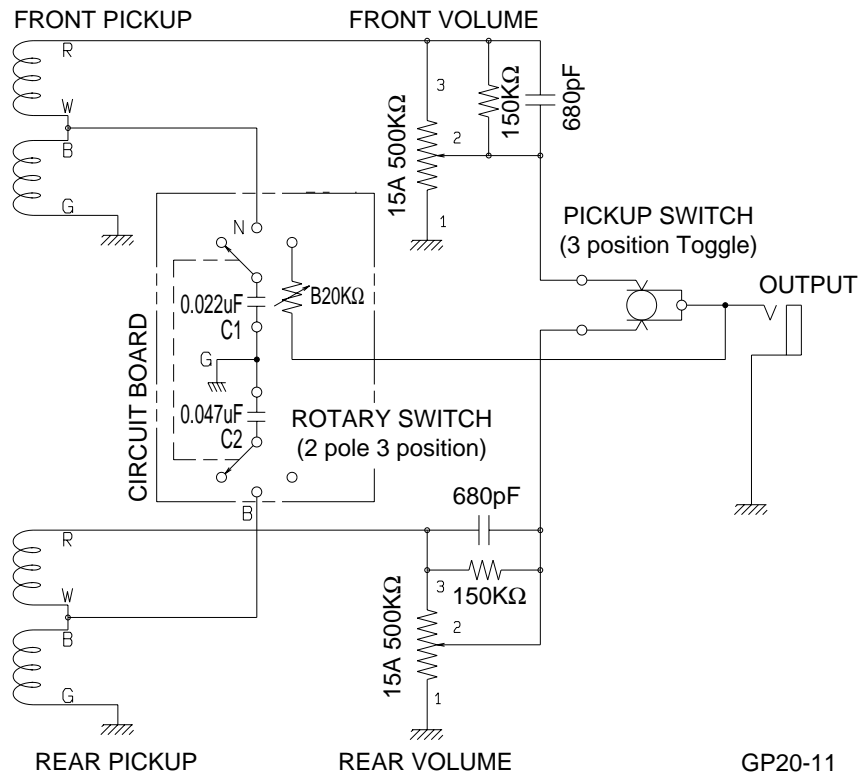


Component side

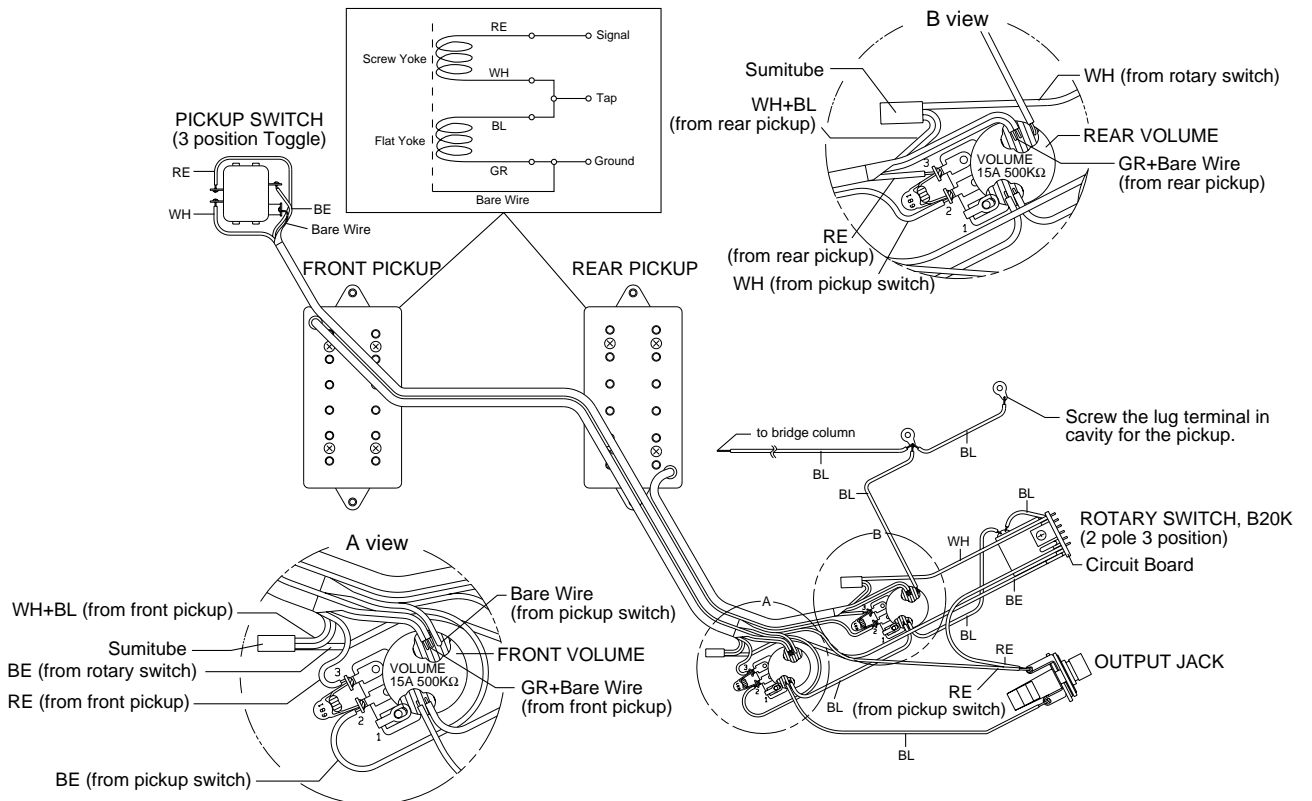
Note: See parts list for details of circuit board component parts.

EPB-QC66480

CIRCUIT DIAGRAM



WIRING



■ SPECIFICATIONS

● STANDARD SPECIFICATIONS

Scale Length 628.0mm
 Body-Neck Construction Bolt On
 Length 995.8mm
 Width 343.6mm
 Net Weight 3.7kg

● COLOR

Body

BL Black
 LBM Light Brown Metallic
 FLB Flat Blue

Neck

BL Black

● BODY

Material Alder
 Body Depth 44mm

● FINGERBOARD

Material Rose
 Fingerboard Width 0-F 43.0mm, 12-F 52.5mm
 No. of Frets 22

● NECK

Material Maple
 Neck Thickness 1-F 21.9mm, 12-F 23.9mm

● PARTS

Hardware Chrome Plated
 Nut Urea
 Bridge Ping Well: TP6-05Y (Chrome)
 Strings D'addario: XL-120

● CONTROLS

Volume 15A 500K Ω x 2
 Rotary Switch 2 pole 3 position
 Pickup Switch 3 position Toggle Switch

● PICKUPS

Front/Rear Humbucking
 Magnet
 Front/Rear Ferrite

Free Manuals Download Website

<http://myh66.com>

<http://usermanuals.us>

<http://www.somanuals.com>

<http://www.4manuals.cc>

<http://www.manual-lib.com>

<http://www.404manual.com>

<http://www.luxmanual.com>

<http://aubethermostatmanual.com>

Golf course search by state

<http://golfingnear.com>

Email search by domain

<http://emailbydomain.com>

Auto manuals search

<http://auto.somanuals.com>

TV manuals search

<http://tv.somanuals.com>