

ELECTRIC BASS BB-1000MA

SERVICE MANUAL



WARNING : CHEMICAL CONTENT NOTICE!

The solder used in the production of this product contains LEAD. In addition, other electrical/electronic and/or plastic (Where applicable) components may also contain traces of chemicals found by the California Health and Welfare Agency (and possibly other entities) to cause cancer and/or birth defects or other reproductive harm.

DO NOT PLACE SOLDER, ELECTRICAL/ELECTRONIC OR PLASTIC COMPONENTS IN YOUR MOUTH FOR ANY REASON WHAT SO EVER!

Avoid prolonged, unprotected contact between solder and your skin! When soldering, do not inhale solder fumes or expose eyes to solder/flux vapor!

If you come in contact with solder or components located inside the enclosure of this product, wash your hands before handling food.

■ CONTENTS

OVERALL ASSEMBLY	2
CIRCUIT DIAGRAM	4
WIRING	4
SPECIFICATIONS	4

This document is printed on chlorine free (ECF) paper with soy ink.

EG 011595

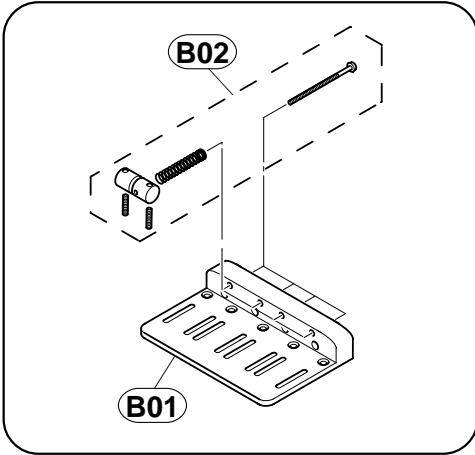
20011001-80000



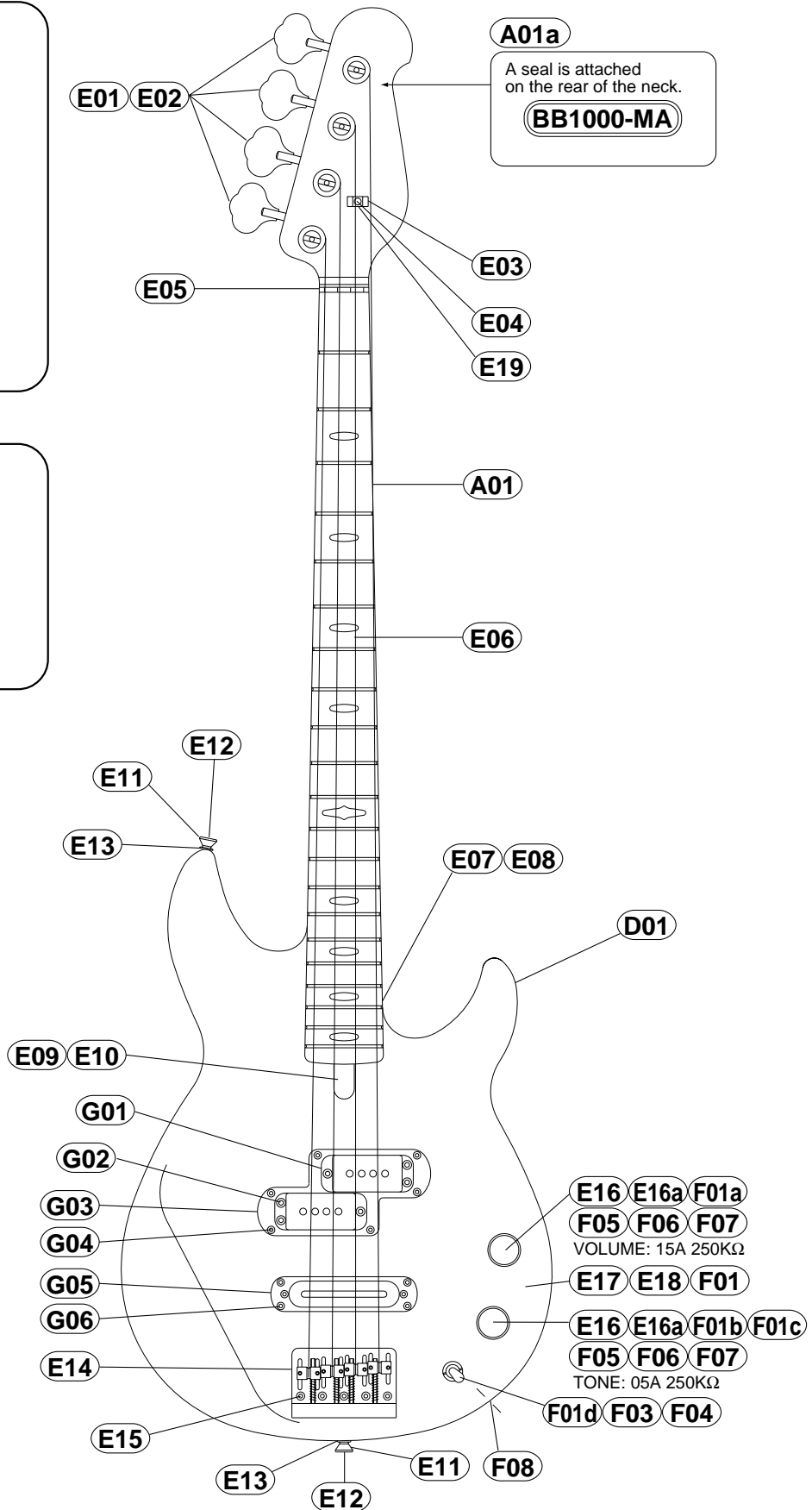
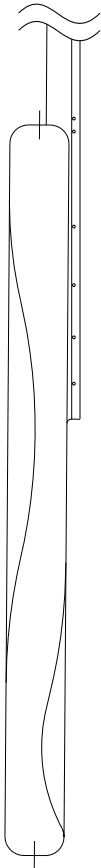
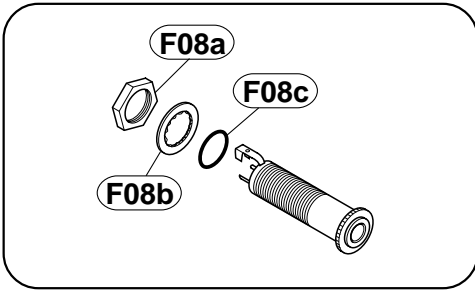
HAMAMATSU, JAPAN

OVERALL ASSEMBLY

E14 Bridge Assembly: Ping well YP-12N (Nickel)



F08 Jack Installation

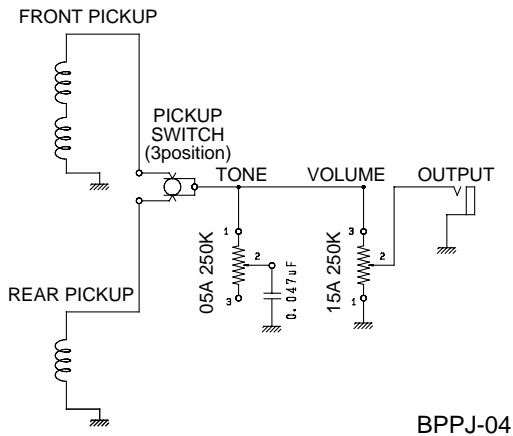


REF NO.	PART NO.	DESCRIPTION		REMARKS	QTY	RANK
		OVERALL ASSEMBLY		BB-1000MA		
* A01	AAX30900	Neck Assembly		BM		
* A01	AAX30910	Neck Assembly		MGR		
A01a	--	Seal		(QC64160)		
D01	--	Body				
* E01	QC604900	Tuning Machine Assembly	Pingway RM1240	Nickel	4	13
E02	EA620030	Round Head Wood Screw	2.4X10 FNM33G	Nickel	12	01
E03	QC605800	String Guide	Nickel			
* E04	QC669500	Round Head Wood Screw	2.7X13 FNM33G	Nickel		
E05	CB821090	Nut	40mm UREA (Ivory)			07
E06	--	Strings	H4030	1set (AA80931)		
E07	QC205200	Neck Plate	Neck Joint Bush	Black	4	04
E08	VI825000	Oval Head Tapping Screw	5.0X40 FCM3BL	Black	4	01
E09	CB821460	Rod Cover	ABS (Black)			03
E10	03706220	Oval Head Wood Screw	2.1X10 FCM3BL	Black		01
E11	BB801850	Strap Button	Nickel		2	02
E12	EN230150	Oval Head Tapping Screw	3.5X25 FNM33G	Nickel	2	
E13	VB793700	Spacer	Felt (Black)		2	01
* E14	QC642500	Bridge Assembly	Ping well YP-12N	Nickel		
E15	EN230150	Oval Head Tapping Screw	3.5X25 FNM33G	Nickel	5	
E16	QC620900	Knob Assembly			2	07
E16a	AAX16560	Screw	M3.0X6 ZMC-BL	Black	2	21
E17	CB809560	Back Cover				05
E18	EB620020	Oval Head Wood Screw	2.7X13 FCM3BL	Black	4	03
E19	VJ382000	Spacer				01
F01	--	Electrical Unit		1set (QC64260)		
F01a	HS120090	Variable Resistor	15A 250K ohm	VOLUME		03
F01b	HS120100	Variable Resistor	05A 250K ohm	TONE		03
F01c	FG244470	Ceramic Capacitor	0.047uF			01
F01d	QA024800	Pickup Switch	3-P Toggle #30046			06
F03	--	Round Nut		with Pickup Switch		
F04	VA295700	Switch Washer				02
F05	--	Hexagonal Nut		with Volume	2	
F06	--	Flat Washer		with Volume	2	
F07	--	Toothed Lock Washer		with Volume	4	
F08	QA209900	Jack				07
F08a	--	Hexagonal Nut		with Jack		
F08b	--	Toothed Lock Washer		with Jack		
F08c	--	Rubber Ring		with Jack		
G01	QC620700	Pickup Assembly		FRONT		17
G02	EB630180	Oval Head Wood Screw	3.1X32 FCM3BL	Black	6	
G03	QC620800	Pickup Escutcheon	Nickel			
G04	EB620050	Oval Head Wood Screw	2.7X13 FNM33G	Nickel	6	01
G05	QC605300	Pickup Assembly		REAR		19
G06	EB620050	Oval Head Wood Screw	2.7X13 FNM33G	Nickel	4	01
H01	QC354000	Accessory Unit	G-1	1set		07
	QA262600	Cord	D			05
	--	Wrench	#1.5			
	--	Wrench	#5			
* B01	QC642500	Bridge Assembly	Ping well YP-12N	Nickel		
* B02	AAX30920	Bridge Base	Nickel			
* B02	AAX30930	Bridge Piece Assembly			4	

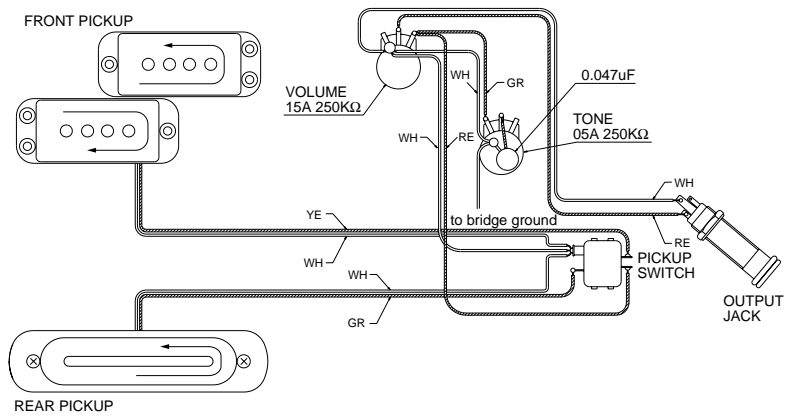
*: New Parts

RANK: Japan only

■ CIRCUIT DIAGRAM



■ WIRING



■ SPECIFICATIONS

● STANDARD SPECIFICATIONS

Scale Length	863.6mm
Body-Neck Construction	Bolt On
Length	1153.3mm
Width	347mm
Net Weight	4.0kg

● COLOR

Body	
BM	Black Metallic
MGR	Mist Green
Neck	
BM	Black Metallic
MGR	Mist Green

● BODY

Material	Alder
Body Depth	41mm

● FINGERBOARD

Material	Rosewood
Fingerboard Width	0-F 40.0 mm, 12-F 56.3 mm
No. of Frets	21

● NECK

Material	Maple
Neck Thickness	1-F 21.0 mm, 12-F 23.5 mm

● PARTS

Hardware	Nickel Plated
Nut	Urea
Bridge	Ping well YP-12N: Nickel
Strings	H4030

● CONTROLS

Volume	15A 250KΩ x 1
Tone	0.5A 250KΩ x 1
Pickup Switch	3 position Toggle Switch

● PICKUPS

Front	Single Coil Split Type
Rear	Single Coil
Magnet	
Front/Rear	Alnico V

Free Manuals Download Website

<http://myh66.com>

<http://usermanuals.us>

<http://www.somanuals.com>

<http://www.4manuals.cc>

<http://www.manual-lib.com>

<http://www.404manual.com>

<http://www.luxmanual.com>

<http://aubethermostatmanual.com>

Golf course search by state

<http://golfingnear.com>

Email search by domain

<http://emailbydomain.com>

Auto manuals search

<http://auto.somanuals.com>

TV manuals search

<http://tv.somanuals.com>