

## RANGE COMPOSITION

Ideal for smaller sized catering establishments: bars, pubs, fast food outlets, pizzerias and small hotels; the Snack 600 range of modular cooking appliances consists of a series of appliances each with a depth of 600 mm - in gas and electric - featuring high power for fast service whether in table top situations, where space is at a premium, or in a complete cooking installation, using the base units that can include doors, drawers or runners for gastronorm containers.



SGE 350

# SNACK 600

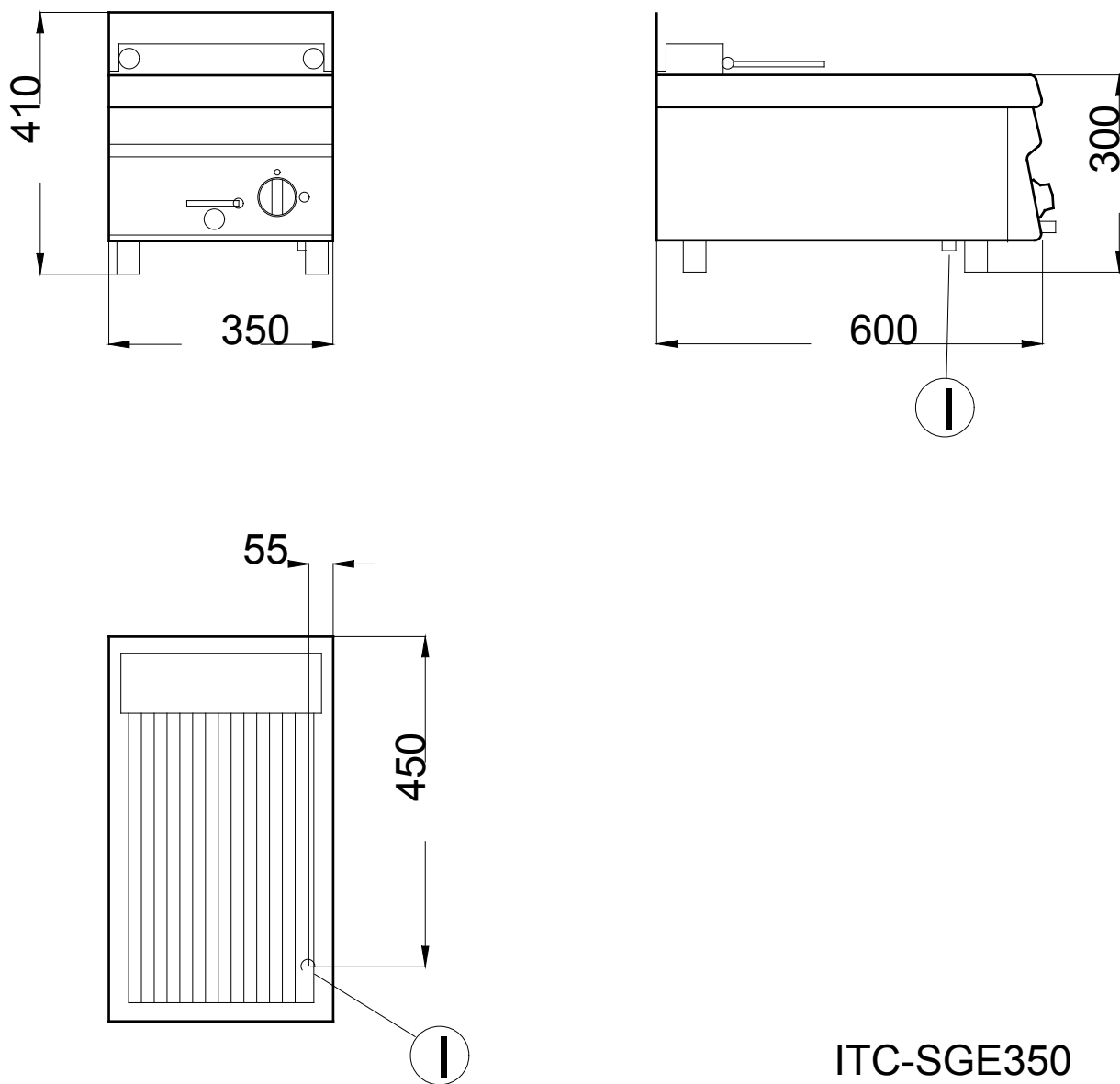
## ELECTRIC CHARCOAL GRILLS **ZANUSSI** PROFESSIONAL

### FUNCTIONAL AND CONSTRUCTION FEATURES

- ◆ Constructed completely in 18/10, 304 AISI stainless steel to guarantee a hard-wearing performance.
- ◆ Hygiene guaranteed by rounded edges, flush fit between units, side upstands, rear splashback and sealing joints, completely smooth and easy to clean surfaces.
- ◆ Extractable griddle.
- ◆ Tilting elements with safety stop for ease of cleaning of the well.
- ◆ Easily cleaned well with water for the collection of fats. Drainage via a tap and extendable hose positioned on the front of the unit.
- ◆ Adjustable temperature control.
- ◆ The cooking surface is a stainless steel grid heated by incoloy armoured steel elements.

- ◆ The electric charcoal grill tops can be mounted on open base cupboards with hinged doors, a chest of drawers or runners for gastronorm containers available as accessories.
- ◆ All models comply with the standards required by the main international approval bodies and are **CE** marked.

TECHNICAL DATA	
CHARACTERISTICS	MODELS
	<b>SGE350</b> <b>285756</b>
Power supply	Electric
External dimensions - mm	
width	350
depth	600
height	300
Power - kW	
installed-electric	3
Grid dimensions - mm	250X400
Net weight - kg.	17
Supply voltage	400 V, 3N, 50/60



ITC-SGE350

LEGEND	
I - Electrical connection	SGE350 285756 400 V, 3N, 50/60



OPTIONAL ACCESSORIES	
ACCESSORIES	MODELS
GULLEY WITH JOINING PANEL FOR 600 LINE	SGE350 285756 285798



www.zanussiprofessional.com

## Free Manuals Download Website

<http://myh66.com>

<http://usermanuals.us>

<http://www.somanuals.com>

<http://www.4manuals.cc>

<http://www.manual-lib.com>

<http://www.404manual.com>

<http://www.luxmanual.com>

<http://aubethermostatmanual.com>

Golf course search by state

<http://golfingnear.com>

Email search by domain

<http://emailbydomain.com>

Auto manuals search

<http://auto.somanuals.com>

TV manuals search

<http://tv.somanuals.com>