

RANGE COMPOSITION

N 700: a range of over 100 models for the professional caterer designed to guarantee the highest level of performance, reliability, energy saving, safety standards and ergonomic operation. These concepts are reflected in the total modularity of the range that ensures numerous configurations, either free-standing or bridged. N 700 demonstrates how advanced technology can satisfy the needs of the professional caterer. The models detailed on this sheet are electric grills in half and a full module versions ideal for grilling fish and meats.



178093

N 700

ELECTRIC CHAR-GRILLS **ZANUSSI** PROFESSIONAL

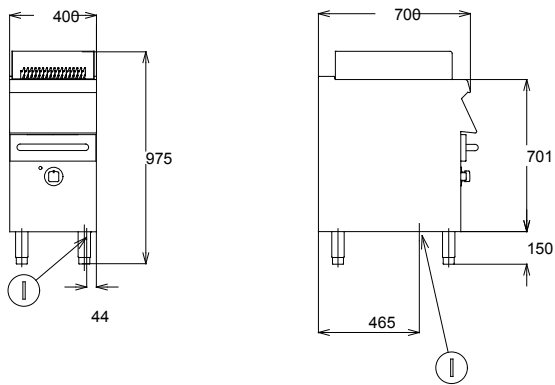
FUNCTIONAL AND CONSTRUCTION FEATURES

- ◆ Incoloy armoured heating elements.
- ◆ Each half module is provided with one bank of three heating elements (2 kW each).
- ◆ "Power ON" indicator light.

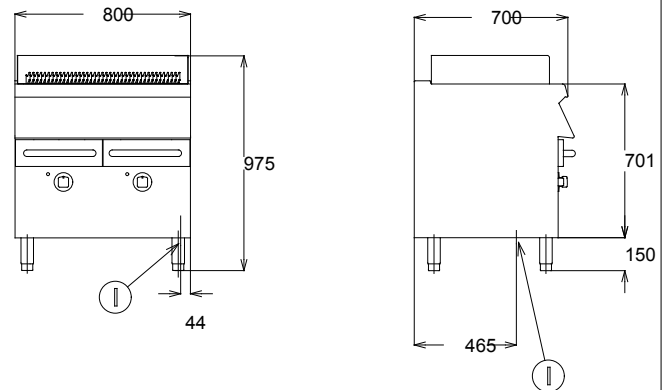
- ◆ Worktop in 1,5mm stainless steel. Front panel in stainless steel with Scotch Brite finish.
- ◆ Feet in 304 AISI stainless steel adjustable in height 50mm.
- ◆ All models have right-angled side edges to allow flush fitting joints between units.
- ◆ Cast-iron grids and stainless steel splashguard on three sides.

- ◆ Multi purpose cast iron grids:
 - One side for meats
 - One side for fish and vegetables
- ◆ IPX4 water protection.
- ◆ Main connections can be via the rear or the base of the unit.

TECHNICAL DATA		
CHARACTERISTICS	MODELS	
	KGE400 178092	KGE800 178093
Power supply	Electric	Electric
External dimensions - mm		
width	400	800
depth	700	700
height	850	850
Power - kW		
installed-electric	6	12
Net weight - kg.	40	75
Supply voltage	400 V, 3N, 50/60	400 V, 3N, 50/60



597828200



597828300

LEGEND

I - Electrical connection

KGE400
178092KGE800
178093

400 V, 3N, 50/60

400 V, 3N, 50/60

OPTIONAL ACCESSORIES

ACCESSORIES

MODELS

	KGE400 178092	KGE800 178093
2 SIDE COVERING PANELS FOR TOP-D=700MM	206277	206277
2 SIDE COVERING PANELS H=700 D=700	206000	206000
2 SIDE KICKING STRIPS-CONCRETE INSTALL.	206265	206265
4 FEET FOR CONCRETE INSTALLATION	206210	206210
CHIMNEY COVER 400MM CLOSED	206269	
CHIMNEY COVER 800MM CLOSED		206271
CHIMNEY UPSTAND 400MM	206303	
CHIMNEY UPSTAND 800MM		206304
FLANGED FEET KIT	206136	206136
FRONT.KICK.STRIP F.CONCRETE INST.1000 MM	206150	206150
FRONT.KICK.STRIP F.CONCRETE INST.1200 MM	206151	206151
FRONT.KICK.STRIP F.CONCRETE INST.1600 MM	206152	206152
FRONT.KICK.STRIP F.CONCRETE INST.200 MM	206146	206146
FRONT.KICK.STRIP F.CONCRETE INST.400 MM	206147	206147
FRONT.KICK.STRIP F.CONCRETE INST.800 MM	206148	206148
FRONTAL HANDRAIL 1200 MM	206191	206191
FRONTAL HANDRAIL 1600 MM	206192	206192
FRONTAL HANDRAIL 400 MM	206166	206166
FRONTAL HANDRAIL 800 MM	206167	206167
FRONTAL KICKING STRIP 1000 MM	206177	206177
FRONTAL KICKING STRIP 1200 MM	206178	206178
FRONTAL KICKING STRIP 1600 MM	206179	206179
FRONTAL KICKING STRIP 200 MM	206174	206174
FRONTAL KICKING STRIP 400 MM	206175	206175
FRONTAL KICKING STRIP 800 MM	206176	206176
LARGE HANDRAIL(PORTIONING SHELF)400 MM	206185	206185
LARGE HANDRAIL(PORTIONING SHELF)800 MM	206186	206186
PAIR OF SIDE KICKING STRIPS	206249	206249
RIGHT AND LEFT SIDE HANDRAILS	206240	206240
S/S GRID+DRAINAGE CHANNELS-FREEST.GRILLS	206287	206287
SCRAPER FOR BARBECUE GRILLS	206299	206299
WATER FILLING TAP-GAS/EL FS GRILLS-400MM	206280	
WATER FILLING TAP-GAS/EL FS GRILLS-800MM		206281



www.zanussiprofessional.com

Free Manuals Download Website

<http://myh66.com>

<http://usermanuals.us>

<http://www.somanuals.com>

<http://www.4manuals.cc>

<http://www.manual-lib.com>

<http://www.404manual.com>

<http://www.luxmanual.com>

<http://aubethermostatmanual.com>

Golf course search by state

<http://golfingnear.com>

Email search by domain

<http://emailbydomain.com>

Auto manuals search

<http://auto.somanuals.com>

TV manuals search

<http://tv.somanuals.com>