

RANGE COMPOSITION

ActiveSelf is a servery system consisting of modular units designed to meet the servery requirements of both profit and cost sector catering outlets. The careful choice of materials and components and the design solutions adopted, guarantee that the range is the best of its kind for strength and reliability. Its modern design may be further enhanced by the placing of beech-wood panels, or by special panels which can be painted in a colour of the users choice, over the stainless steel panels.

All the refrigerated units of the new ActiveSelf are ACTIVE because they feature an integrated system that in case one of the temperature probes breaks, the appliance continues to work, guaranteeing the perfect food conservation temperature.

The gantries detailed on this sheet are endowed with hot lights and are suitable to be placed on the hot units.



856088

ACTIVESELF

GANTRIES-HEATING LIGHTS AND SNEEZE GUARD

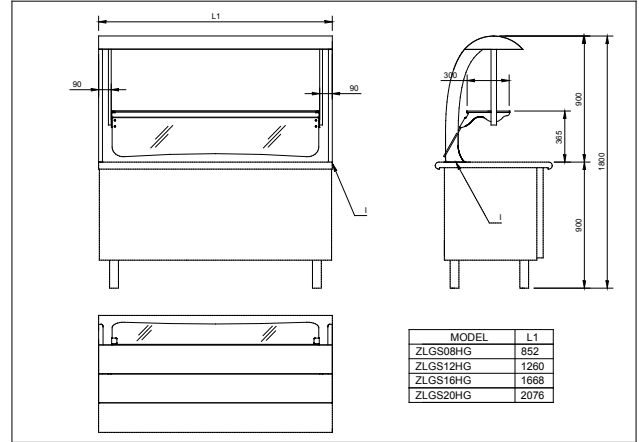
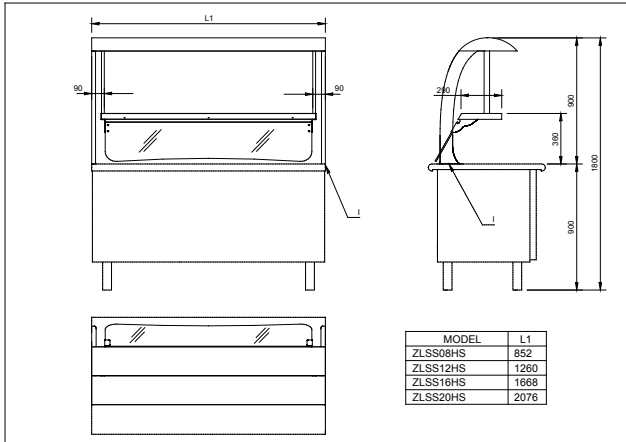
ZANUSSI
PROFESSIONAL

FUNCTIONAL AND CONSTRUCTION FEATURES

- ◆ Constructed in special non-toxic material suitable for use with food.
- ◆ The gantry can be equipped with a shelf in stainless steel (models 856243, 856244, 856245 and 856246) with hot lights and sneeze guard or with a shelf in glass (models 856247, 856248, 856249 and 856250) with hot lights and sneeze guard.
- ◆ All models comply with the standards required by the main international approval bodies are CE marked and NF approved.

*NF HYGIENE ALIMENTAIRE
certifying authority: AFAQ AFNOR CERTIFICATION.
Adress:11, Avenue Francis de Pressense - 93571
Saint-Denis La Plaine Cedex - France. Conformity
with regulation NF031. Certified guarantees: fitness
for cleaning, thermal performance

TECHNICAL DATA								
CHARACTERISTICS	MODELS							
	ZLSS08HS 856243	ZLSS12HS 856244	ZLSS16HS 856245	ZLSS20HS 856246	ZLGS8HG 856247	ZLGS12HG 856248	ZLGS16HG 856249	ZLGS20HG 856250
External dimensions - mm								
width	852	1260	1668	2076	852	1260	1668	2076
depth	700	700	700	700	700	700	700	700
height	900	900	900	900	900	900	900	900
Net weight - kg.	49	53	56	62	38	51	54	60



www.zanussiprofessional.com

Free Manuals Download Website

<http://myh66.com>

<http://usermanuals.us>

<http://www.somanuals.com>

<http://www.4manuals.cc>

<http://www.manual-lib.com>

<http://www.404manual.com>

<http://www.luxmanual.com>

<http://aubethermostatmanual.com>

Golf course search by state

<http://golfingnear.com>

Email search by domain

<http://emailbydomain.com>

Auto manuals search

<http://auto.somanuals.com>

TV manuals search

<http://tv.somanuals.com>