

RANGE COMPOSITION

Zanussi Professional offers a range of ice-making machines specially designed to produce ice cubes. All the models, whilst having a compact size, offer excellent performance and maximum efficiency. The range has been specifically designed for use in bars, restaurants, hotels and discos and can also be used in medical facilities.



730559

130 KG

ICE CUBERS ZANUSSI PROFESSIONAL

FUNCTIONAL AND CONSTRUCTION FEATURES

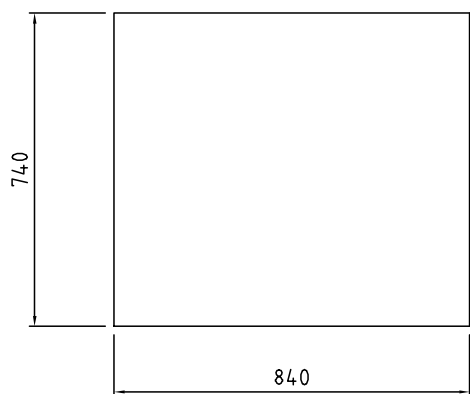
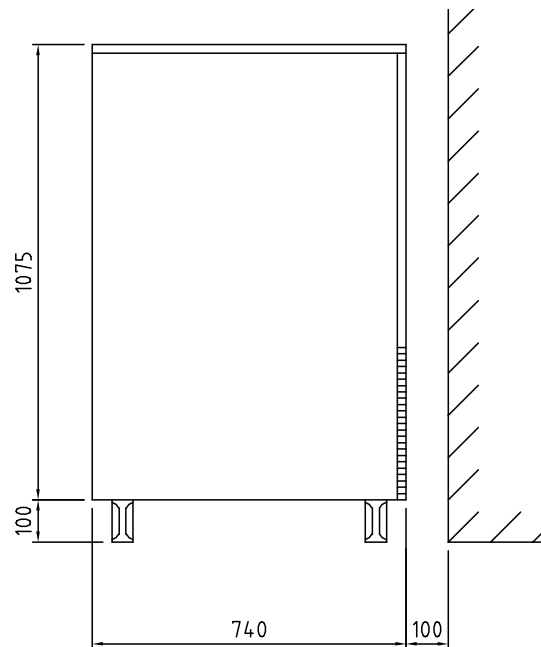
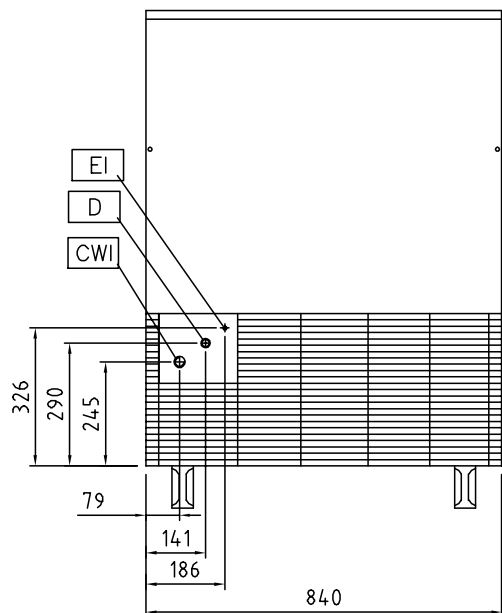
- ◆ All models are available in air-cooled or water-cooled* versions.
- ◆ The ice-making method (spray layering) guarantees compact, hygienically pure ice cubes that are resistant to melting.
- ◆ R404a refrigerant.

- ◆ Reliability is guaranteed by the quality of the construction materials used (plastic flap on the front, top and sides in ABS) and the sophisticated product and process technology involved.
- ◆ The compact dimensions of the ice cubers make them highly suitable for any location, particularly those where space is at a premium.

- ◆ The metal sprayers are easy to take away, permit a simple flowing and prevent limestone formation.
- ◆ All models comply with the standards required by the main international approval bodies and are H marked.

* Water consumption and productivity have been calculated using a water temperature of 15°C and an ambient temperature of 21°C.

CHARACTERISTICS	MODELS				
	CIM143AS 730531	CIM143WS 730532	CIM143AS3 730567	CIM143WS3 730568	FGC130A42 730164
Output - kg/day	130	130	130	130	130
Bin capacity - Kg	65	65	65	65	65
Kind of cube	A - 18g	A - 18g	C - 33g	C - 33g	E - 42g
External dimensions - mm					
width	840	840	840	840	840
depth	740	740	740	740	740
height	1075	1075	1185	1185	1075
Refrigerant type	R404a	R404a	R404a	R404a	R404a;
Power - kW					
installed-electric	1.05	1.05	1.05	1.05	1.05
Noise level - dBA	61.5	61.5	61.5	61.5	61.5
Net weight - kg.	113	113	113	113	113
Power supply - V, phases, Hz	220/240 V, 1N, 50	220/240 V, 1N, 50	220/240 V, 1N, 50	220/240 V, 1N, 50	220/240 V, 1N, 50



730531
730532

	CIM143AS 730531	CIM143WS 730532	CIM143AS3 730567	CIM143WS3 730568	FGC130A42 730164
CWI - Cold water inlet	3/4"	3/4"	3/4"	3/4"	3/4"
D - Water drain	24mm	24mm	24mm	24 mm	24mm
EI - Electrical connection	220/240 V, 1N, 50	220/240 V, 1N, 50	220/240 V, 1N, 50	220/240 V, 1N, 50	220/240 V, 1N, 50



www.zanussiprofessional.com

Free Manuals Download Website

<http://myh66.com>

<http://usermanuals.us>

<http://www.somanuals.com>

<http://www.4manuals.cc>

<http://www.manual-lib.com>

<http://www.404manual.com>

<http://www.luxmanual.com>

<http://aubethermostatmanual.com>

Golf course search by state

<http://golfingnear.com>

Email search by domain

<http://emailbydomain.com>

Auto manuals search

<http://auto.somanuals.com>

TV manuals search

<http://tv.somanuals.com>