

RANGE COMPOSITION

ActiveSelf is a servery system consisting of modular units designed to meet the servery requirements of both profit and cost sector catering outlets. The careful choice of materials and components and the design solutions adopted, guarantee that the range is the best of its kind for strength and reliability. Its modern design may be further enhanced by the placing of special panels, which can be painted in a colour of the users choice, over the stainless steel panels. The front cooking units accept, for instance, LIBERO LINE and other 1/2, 1 and 1 and 1/2 module electric appliances. The range consists of 3 models with 350 mm modularity and with additional shelf underneath.



330244

ACTIVESELF

FRONT COOKING UNITS

ZANUSSI
PROFESSIONAL

FUNCTIONAL AND CONSTRUCTION FEATURES

- ◆ External panelling and base in stainless steel.
- ◆ Stainless steel feet, adjustable up to a height of 200 mm
- ◆ The unit is equipped with plugs (220V) for electric connection and sneeze guard.
- ◆ A wide range of accessories is available to make the ActiveSelf flexible and suitable for all servery requirements.
- ◆ All models comply with the standards required by the main international approval bodies and are CE marked.
- ◆ All models are NF* certified.

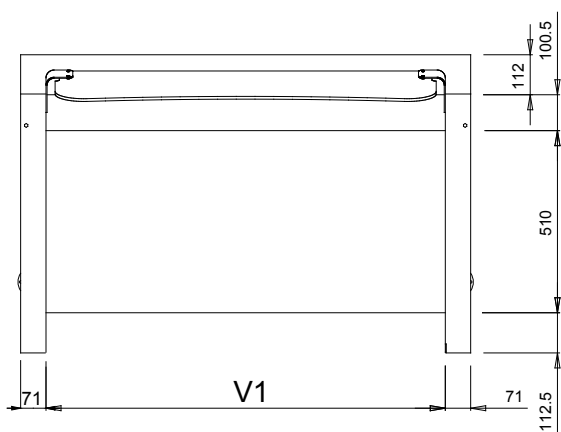
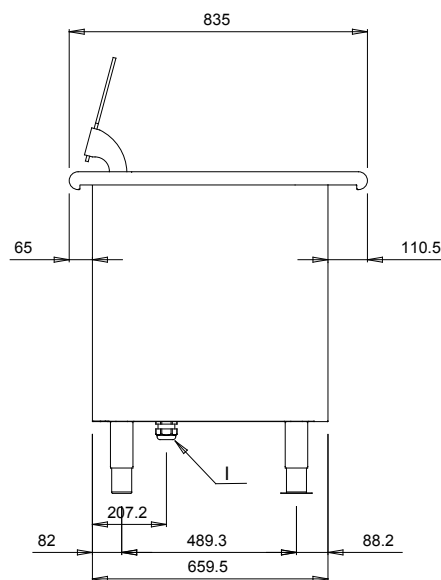
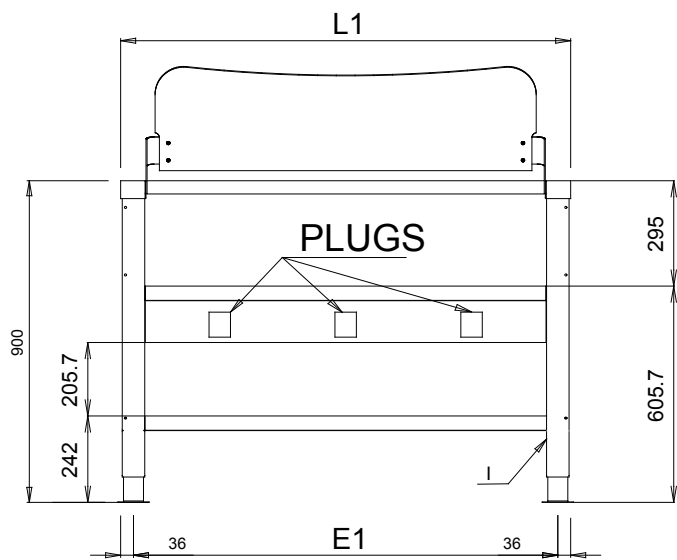
*NF HYGIENE ALIMENTAIRE
certifying authority: AFAQ AFNOR CERTIFICATION.
Address: 11, Avenue Francis de Pressense - 93571
Saint-Denis La Plaine Cedex - France. Conformity
with regulation NF031. Certified guarantees: fitness
for cleaning, thermal performance

TECHNICAL DATA			
CHARACTERISTICS	MODELS		
	ZLFC082S 330242	ZLFC122S 330243	ZLFC162S 330244
Neutral	●	●	●
External dimensions - mm			
width	852	1260	1668
depth	835	835	835
height	900	900	900
Foot type	Round	Round	Round
Number of feet	4	4	4
Foot size	2"	2"	2"
Net weight - kg.	63	81	98

OPTIONAL ACCESSORIES			
ACCESSORIES	MODELS		
	ZLFC082S 330242	ZLFC122S 330243	ZLFC162S 330244
2 BEECH FINISH CURVED FRONT PANELS 400MM	856288	856288	856288
2 BEECH WOOD FINISH FRONT PANELS 400MM	856187	856187	856187
2 CHERRY WOOD FINISH FRONT PANELS 400MM	856410	856410	856410
2 COVERING SHELL KIT FOR UNIT W/O GANTRY	856425	856425	856425
2 END ELEM. F.CURVED BEECHW.FINISH PANEL	856294	856294	856294
2 END ELEM. F.CURVED CHERRY FINISH PANEL	856287	856287	856287
2CHERRY FINISH CURVED FRONT PANELS 400MM	856277	856277	856277
BEECH FINISH CURV.FR.PANEL-TROLLEY 650MM	856289	856289	856289
BEECH WOOD FINISH TRAY SLIDER (2 GN)	856212		
BEECH WOOD FINISH TRAY SLIDER (3 GN)		856220	
BEECH WOOD FINISH TRAY SLIDER (4 GN)			856221
CHERRY WOOD FINISH TRAY SLIDER (2GN)	856201		
CHERRY WOOD FINISH TRAY SLIDER (3GN)		856204	
CHERRY WOOD FINISH TRAY SLIDER (4GN)			856205
GANTRY (2GN)	856259		
GANTRY (3GN)		856260	
GANTRY (4GN)			856261
KIT 2S/S CAPS FOR TOP OF UNIT W/O GANTRY	856494	856494	856494
L/H END ELEM.STRAIGHT(BEECHW)+KICK.STRIP	856303	856303	856303
L/H END ELEM.STRAIGHT(CHERRY)+KICK.STRIP	856302	856302	856302
L/H END ELEMENT ROUND(BEECHW)+KICK.STRIP	856297	856297	856297
L/H END ELEMENT ROUND(CHERRY)+KICK.STRIP	856296	856296	856296
L/H END ELEMENT-S/S PANEL	856424	856424	856424
L/H END ELEMENT-S/S PANEL+KICK.STRIP	856422	856422	856422
R/H END ELEM.STRAIGHT(BEECHW)+KICK.STRIP	856304	856304	856304
R/H END ELEM.STRAIGHT(CHERRY)+KICK.STRIP	856299	856299	856299
R/H END ELEMENT ROUND(BEECHW)+KICK.STRIP	856298	856298	856298
R/H END ELEMENT ROUND(CHERRY)+KICK.STRIP	856295	856295	856295
R/H END ELEMENT-S/S PANEL+KICK.STRIP	856421	856421	856421
R/H END ELEMENT-SS PANEL	856423	856423	856423
S/S FRONT KICKING STRIP (2 GN)	856072		
S/S FRONT KICKING STRIP (3 GN)		856073	
S/S FRONT KICKING STRIP (4 GN)			856074
S/S TUBULAR TRAY SLIDER (2 GN)	856038		
S/S TUBULAR TRAY SLIDER (3 GN)		856039	
S/S TUBULAR TRAY SLIDER (4 GN)			856040



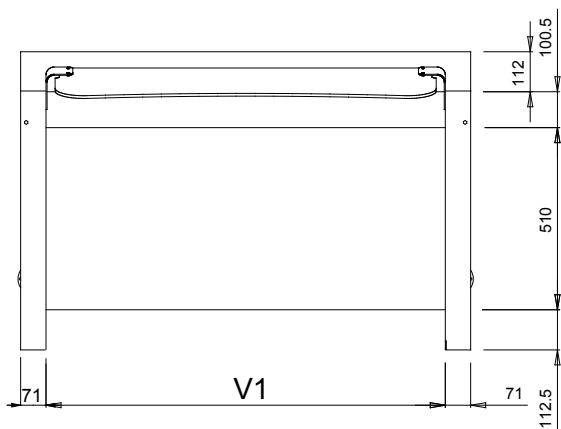
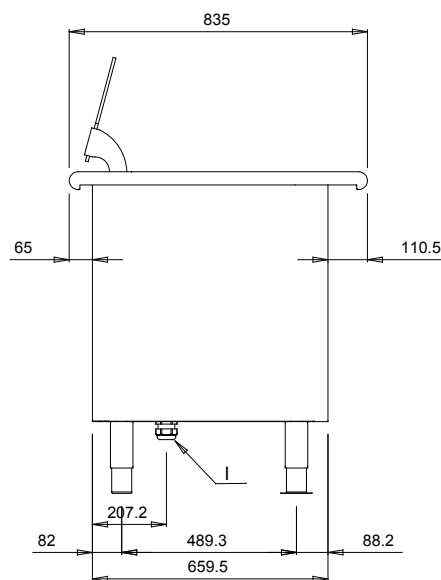
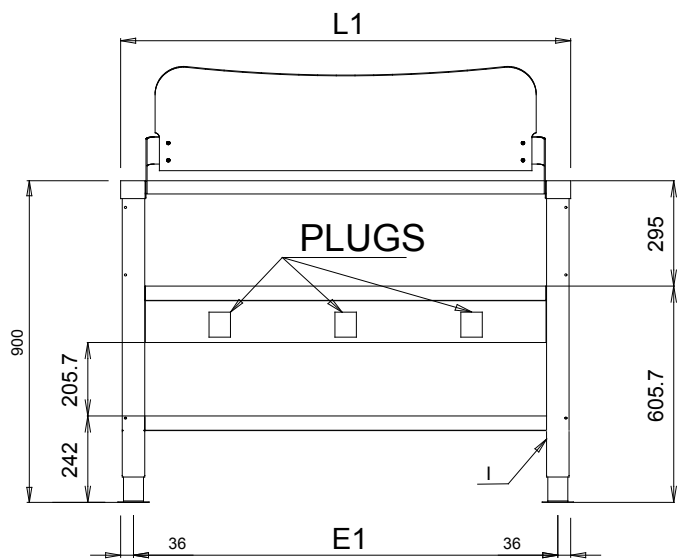
www.zanussiprofessional.com



MODEL	L1	V1	E1	N' PLUGS
SSFCU2	852	710	780	2
SSFCU3	1260	1118	1188	3
SSFCU4	1668	1526	1596	4
DEFC8	852	710	780	2
DEFC12	1260	1118	1188	3
DEFC16	1668	1526	1596	4



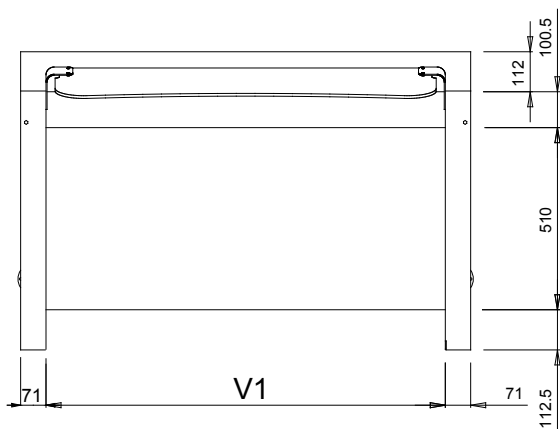
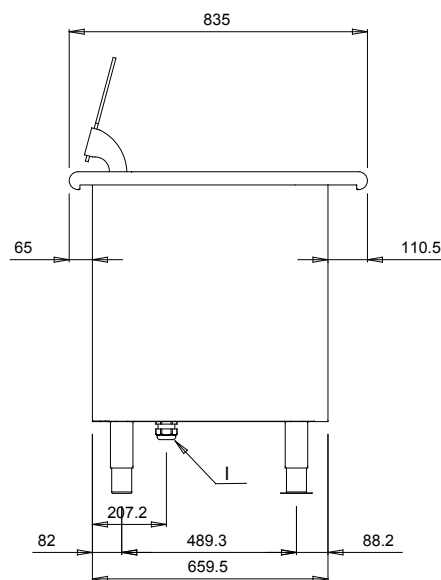
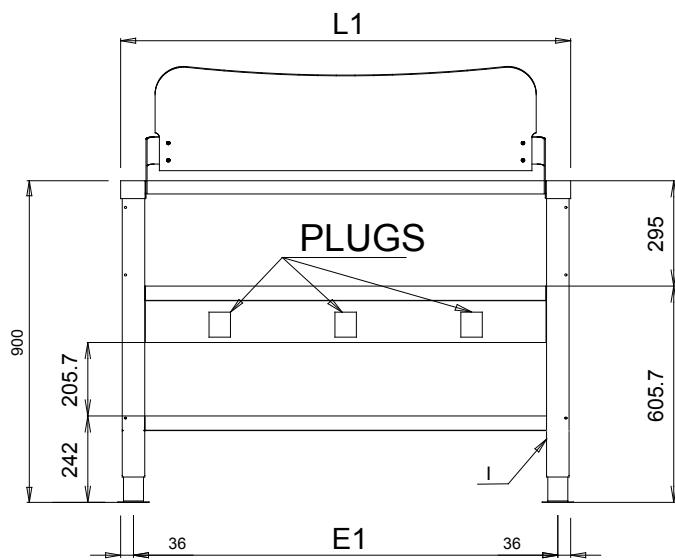
www.zanussiprofessional.com



MODEL	L1	V1	E1	N' PLUGS
SSFCU2	852	710	780	2
SSFCU3	1260	1118	1188	3
SSFCU4	1668	1526	1596	4
DEFC8	852	710	780	2
DEFC12	1260	1118	1188	3
DEFC16	1668	1526	1596	4



www.zanussiprofessional.com



MODEL	L1	V1	E1	N' PLUGS
SSFCU2	852	710	780	2
SSFCU3	1260	1118	1188	3
SSFCU4	1668	1526	1596	4
DEFC8	852	710	780	2
DEFC12	1260	1118	1188	3
DEFC16	1668	1526	1596	4



Free Manuals Download Website

<http://myh66.com>

<http://usermanuals.us>

<http://www.somanuals.com>

<http://www.4manuals.cc>

<http://www.manual-lib.com>

<http://www.404manual.com>

<http://www.luxmanual.com>

<http://aubethermostatmanual.com>

Golf course search by state

<http://golfingnear.com>

Email search by domain

<http://emailbydomain.com>

Auto manuals search

<http://auto.somanuals.com>

TV manuals search

<http://tv.somanuals.com>