

RANGE COMPOSITION

A complete and flexible range of cold rooms ideal for storing and conserving perishable food (meat, fish, cold cuts, cheese, fruit, vegetables), in addition to chilled and frozen food. Constructed in top quality, reliable materials, they are manufactured with the utmost attention paid to eliminating possible ecological damage. All models can be connected to a refrigeration unit installed directly inset on the wall of the cold room or to a remote refrigeration unit. The availability of a remote condenser unit is particularly useful when using cold rooms in environments with critical ambient temperatures, ventilation or space problems. The models detailed on this sheet are 5 cold rooms (-2°+8°C) with built-in refrigerating unit and with usable volume of 3,1 to 6,1 m³ with panel insulation 60 mm in thickness. All models come with panels and gas precharged cooling unit.



Shelving as accessory

3.1/ 6.1 m³

BUILT IN UNIT COLD ROOMS -2°+8°C **ZANUSSI** PROFESSIONAL

FUNCTIONAL AND CONSTRUCTION FEATURES

- ◆ Assembly system that guarantees minimal temperature loss through twin hook fasteners which allow perfect alignment of the panels. This fastener is made of high resistant composite material and guarantees perfect grip of all components that can be easily disassembled and reassembled
- ◆ Wall panels and inside ceiling panels are clad with anti-scratch prepainted galvanized steel

- ◆ All panels are insulated with injected polyurethane. CFC and HCFC free
- ◆ All panels have PVC gaskets foamed in place to assure airtight and secure fitting. Any other sealing between panels on site is eliminated
- ◆ Galvanized steel floor covered with a non-abrasive, non-slip, ribbed plastic coat

- ◆ Rounded internal and external corners.
- ◆ The right-hinged door is available as standard (left-hinged door on request) and constructed with smooth rounded profiles, cam-lift action hinges, airtight magnetic door, gaskets and high insulation for saving energy and operating costs. As an option a microswitch switches on automatically the internal light and turns off the fans

CHARACTERISTICS	MODELS				
	MN03112CL 102028	MN04112CL 102212	MN05112CL 102217	MN05416CL 102213	MN06112CL 102234
External dimensions - mm					
width	1350	1750	2150	1750	2550
depth	1350	1350	1350	1750	1350
height	2150	2150	2150	2150	2150
Internal dimensions - mm					
width	1230	1630	2030	1630	2430
depth	1230	1230	1230	1630	1230
height	2030	2030	2030	2030	2030
Power - kW					
installed-electric	0.8	0.78	0.8	0.883	0.8
Noise level - dBA	60	60	60	60	60
Net weight - kg.	281	287	315	330	338
Power supply - V, phases, Hz	220/230 V, 1N, 50	230 V, 1N, 50	230 V, 1N, 50	230 V, 1N, 50	230 V, 1N, 50
Usable surface area - m ²	1,51	2,00	2,50	2,66	2,99
Usable volume - m ³	3,1	4,1	5,1	5,4	6,1
Monobloc refrigeration unit					
Compressor power - HP	0,5	0,5	0,5	0,5	0,5

- ◆ Newly designed handle, complete with lock has an internal safety release to prevent entrapment when the door is accidentally locked from outside
- ◆ Powerful tropicalized refrigeration system designed to operate more efficiently and without failure in the most extreme temperatures (up to 43°C)

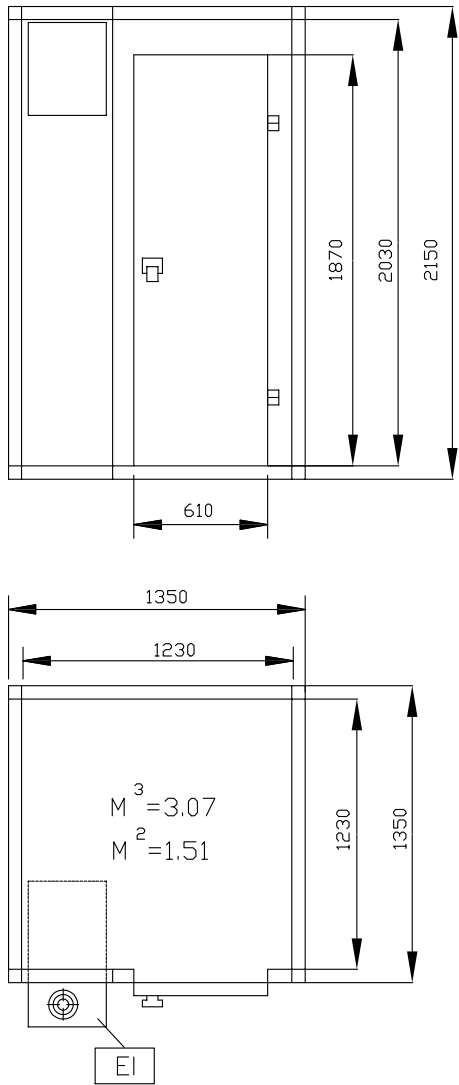
- ◆ Defrosting through heated gas permits to reduce the total power installed shorten defrosting time and limited warming of the cold room
- ◆ The control panel includes: luminous ON/OFF switch, internal lighting switch, cold room functioning indicator, defrosting cycle indicator, temperature and thermostat control with digital display

- ◆ All models comply with the standards required by the main international approval bodies and are H marked

ACCESSORIES	MODELS				
	MN03112CL 102028	MN04112CL 102212	MN05112CL 102217	MN05416CL 102213	MN06112CL 102234
ALUM.SHELV.,POLY.TIERS-COLDROOM 123X123	137108				
ALUM.SHELV.,POLY.TIERS-COLDROOM 163X123		137090			
ALUM.SHELV.,POLY.TIERS-COLDROOM 163X163				137091	
ALUM.SHELV.,POLY.TIERS-COLDROOM 203X123			137095		
ALUM.SHELV.,POLY.TIERS-COLDROOM 243X123					137100
DOOR MICROSWITCH		102441	102441	102441	102441
GRAPHIC TEMPERATURE RECORDER	102025	102025	102025	102025	102025
KIT HACCP ADV.CONNECTION FOR COLD ROOMS	102021	102021	102021	102021	102021
PLASTIC CURTAIN FOR 65CM DOOR CLEARANCE	102027	102027	102027	102027	102027
PRINTER FOR HACCP BASIC VERSION REFRIG.		881457	881457	881457	881457
PRINTER FOR TEMPERATURE RECORDER	102026	102026	102026	102026	102026



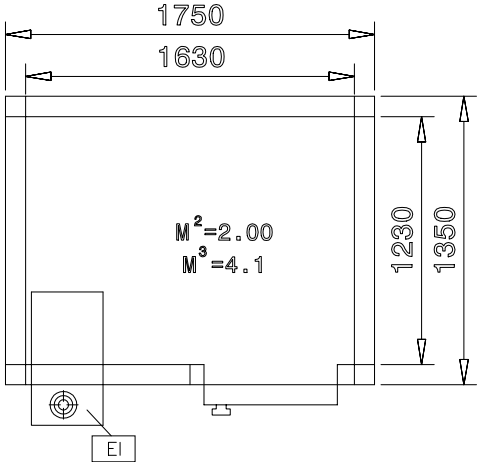
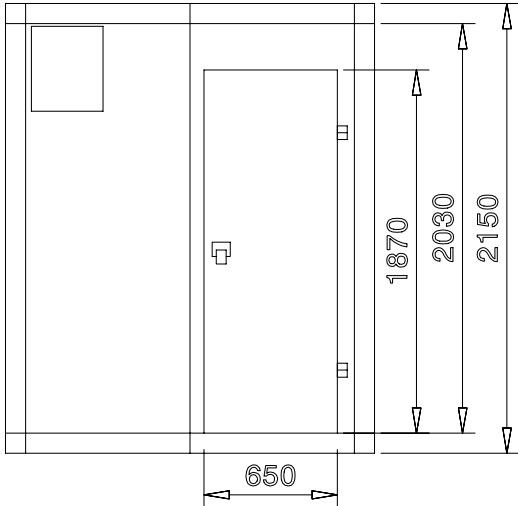
www.zanussiprofessional.com



EI - Electrical connection	MN03112CL 102028 220/230 V, 1N, 50
----------------------------	--



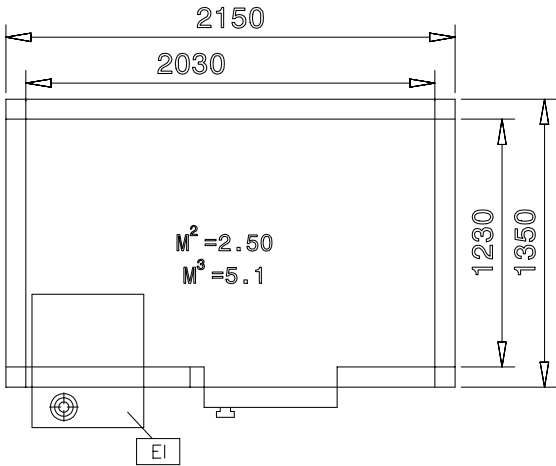
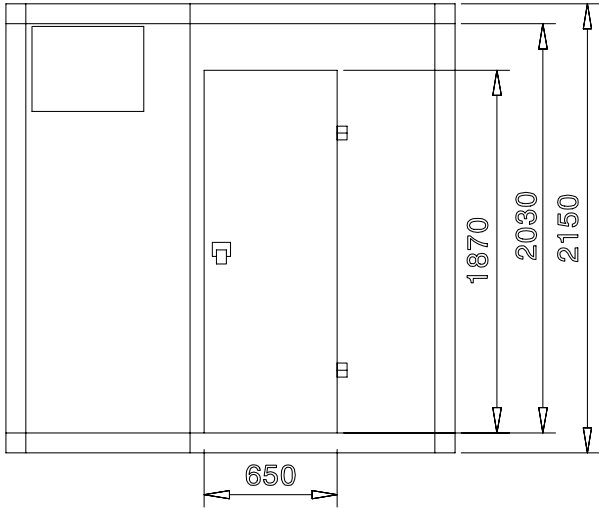
www.zanussiprofessional.com



	MN04112CL 102212
EI - Electrical connection	230 V, 1N, 50



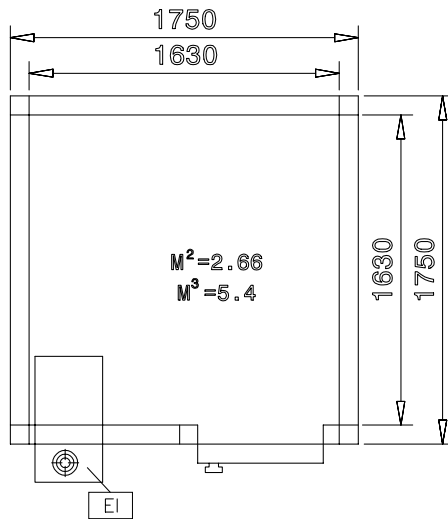
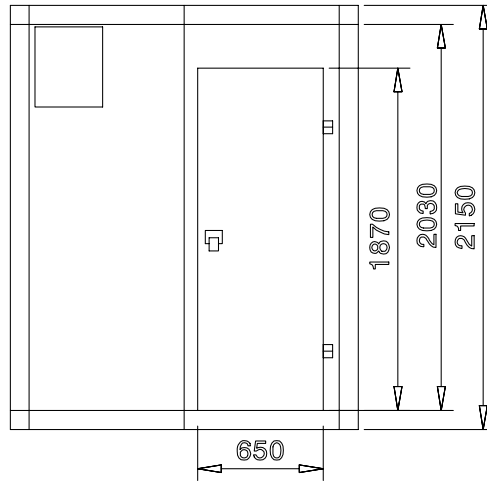
www.zanussiprofessional.com



EI - Electrical connection	MN05112CL 102217 230 V, 1N, 50
----------------------------	--------------------------------------



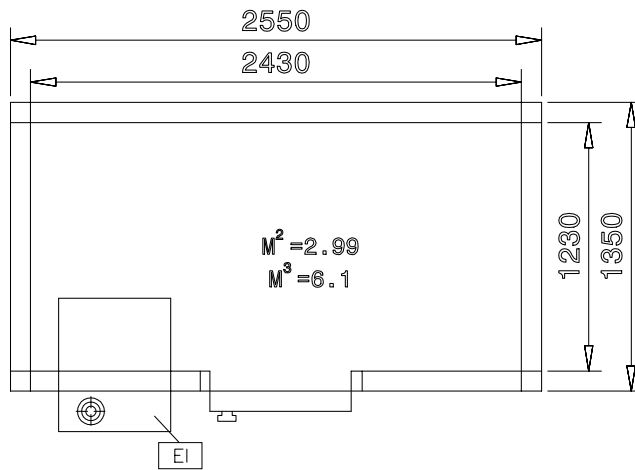
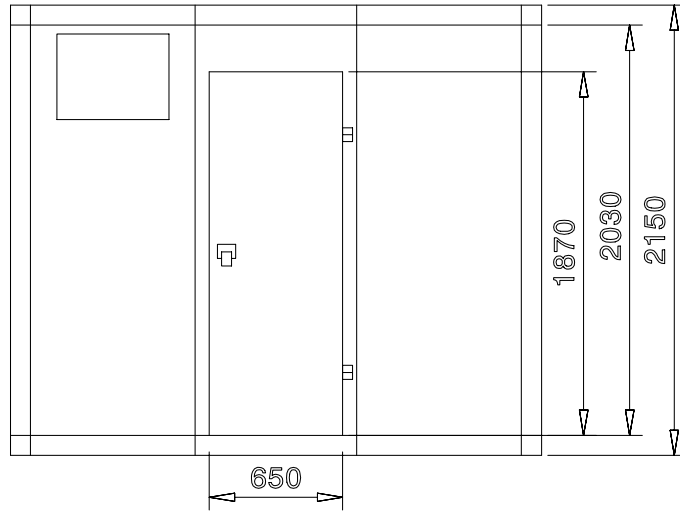
www.zanussiprofessional.com



	MN05416CL 102213
EI - Electrical connection	230 V, 1N, 50



www.zanussiprofessional.com



	MN06112CL 102234
EI - Electrical connection	230 V, 1N, 50



www.zanussiprofessional.com

Free Manuals Download Website

<http://myh66.com>

<http://usermanuals.us>

<http://www.somanuals.com>

<http://www.4manuals.cc>

<http://www.manual-lib.com>

<http://www.404manual.com>

<http://www.luxmanual.com>

<http://aubethermostatmanual.com>

Golf course search by state

<http://golfingnear.com>

Email search by domain

<http://emailbydomain.com>

Auto manuals search

<http://auto.somanuals.com>

TV manuals search

<http://tv.somanuals.com>