

# RANGE COMPOSITION

ActiveSelf is a servery system consisting of modular units designed to meet the servery requirements of both profit and cost sector catering outlets. The careful choice of materials and components and the design solutions adopted, guarantee that the range is the best of its kind for strength and reliability. Its modern design may be further enhanced by the placing of panels with beech-wood finishing, or by special panels which can be painted in a colour of the users choice, over the stainless steel panels. The refrigerated well units are ideal for the conservation, display and distribution of cold drinks. The range consists of 3 models on refrigerated cupboards with 3, 4 or 6 GN container capacity.



# ACTIVESELF

## REFRIGERATED WELL ON CUPBOARD **ZANUSSI** PROFESSIONAL

### FUNCTIONAL AND CONSTRUCTION FEATURES

- ◆ 20/10 top, external panelling and base in 304 AISI stainless steel.
- ◆ Statically refrigerated well in 304 Stainless Steel with rounded corners, thermostatically controlled with 4 probes: cupboard probe, cupboard evaporator probe, condenser probe and evaporator display probe.
- ◆ Models with fan-assisted refrigerated cupboard, insulated with expanded polyurethane foam 50 mm in thickness.
- ◆ Statically refrigerated well and cupboard separately thermostatically controlled.
- ◆ Recessed control panel featuring easy-to-read controls that can not be damaged by cleaning. The ACTIVE controls include the main ON/OFF button, the Alarm Service button, the HACCP button to monitor and record all the critical events, 2 buttons to increase and decrease temperature,

the temperature display, a thermostat, a manual defrost button and an automatic defrost.

- ◆ 304 AISI stainless steel feet, adjustable in height.

- ◆ A large number of gantries, without shelf, with one or two shelves, with light, in either stainless steel or tempered glass can be placed on the unit which is delivered without any.

TECHNICAL DATA			
CHARACTERISTICS	MODELS		
	ZLRW12C 332021	ZLRW16C 332022	ZLRW20C 332023
Refrigerated well	●	●	●
Refrigerated cupboard	●	●	●
External dimensions - mm			
width	1260	1668	2076
depth	835	835	835
height	900	900	900
Cabinet			
width - mm	760	1160	1568
depth - mm	620	620	620
height - mm	360	360	360
temperature - °C	+2/+8	+2/+8	+2/+8
Number of doors	2	3	4
Door type	Hinged	Hinged	Hinged
Well			
width - mm	955	1280	1930
depth - mm	510	510	510
height - mm	200	200	200
temperature - °C	+2/+10	+2/+10	+2/+10
Container capacity nr.	3 x 1/1 GN	4 x 1/1 GN	6 x 1/1 GN
Power - kW			
installed-electric	0.85	0.87	0.87
Foot type	Round	Round	Round
Number of feet	4	5	5
Foot size	2"	2"	2"
Refrigerant type	R404a	R404a	R404a
Net weight - kg.	147	167	189
Supply voltage	220...240 V, 1N, 50	220...240 V, 1N, 50	220...240 V, 1N, 50

◆ A wide range of accessories is available to make the ActiveSelf flexible and suitable for all servery requirements.

◆ All models comply with the standards required by the main international approval bodies, are CE marked

◆ CFC and HCFC free.

◆ All models are NF\* certified.

Adress:11, Avenue Francis de Pressense - 93571 Saint-Denis La Plaine Cedex - France. Conformity with regulation NF031. Certified guarantees: fitness for cleaning, thermal performance

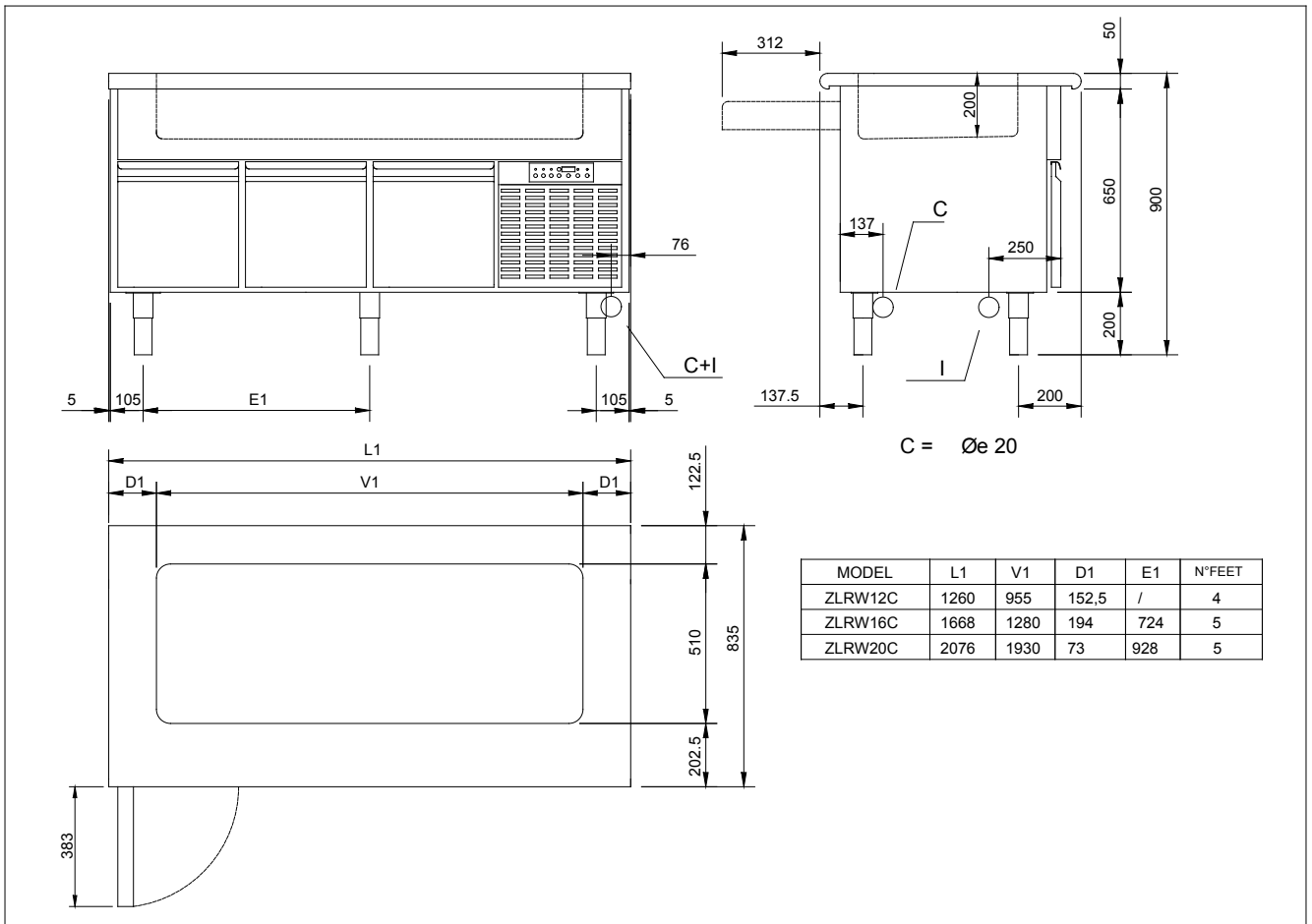
\*NF HYGIENE ALIMENTAIRE

certifying authority: AFAQ AFNOR CERTIFICATION.

OPTIONAL ACCESSORIES			
ACCESSORIES	MODELS		
	ZLRW12C 332021	ZLRW16C 332022	ZLRW20C 332023
2 BEECH FINISH CURVED FRONT PANELS 400MM	856288	856288	856288
2 BEECH FINISH END COVER.L+R-TRAY SLIDER	856276		
2 BEECH WOOD FINISH FRONT PANELS 400MM	856187	856187	856187
2 CHERRY FINISH END COVER.L+R-TRAY SLIDE	856275		
2 CHERRY WOOD FINISH FRONT PANELS 400MM	856410	856410	856410
2 COVERING SHELL KIT FOR UNIT W/O GANTRY	856425	856425	856425
2 END ELEM. F.CURVED BEECHW.FINISH PANEL	856294	856294	856294
2 END ELEM. F.CURVED CHERRY FINISH PANEL	856287	856287	856287
2CHERRY FINISH CURVED FRONT PANELS 400MM	856277	856277	856277
BEECH FINISH CURV.FR.PANEL-TROLLEY 650MM	856289	856289	856289
BEECH WOOD FINISH TRAY SLIDER (3 GN)	856220		
BEECH WOOD FINISH TRAY SLIDER (4 GN)		856221	
BEECH WOOD FINISH TRAY SLIDER (6 GN)			856222
CHERRY WOOD FINISH TRAY SLIDER (3GN)	856204		
CHERRY WOOD FINISH TRAY SLIDER (4GN)		856205	
CHERRY WOOD FINISH TRAY SLIDER (6GN)			856206
GANTRY (3GN)	856260		
GANTRY (4GN)		856261	
GANTRY (6GN)			856262
GANTRY 1 GL.SHELF+SNEEZE GUARD (3GN)	856256		
GANTRY 1 GL.SHELF+SNEEZE GUARD (4GN)		856257	
GANTRY 1 GL.SHELF+SNEEZE GUARD (6GN)			856258
GANTRY 1 GLASS SHELF (3GN)	856264		
GANTRY 1 GLASS SHELF (4GN)		856265	
GANTRY 1 GLASS SHELF (6GN)			856266
GANTRY 1 GLASS SHELF+LIGHT (3GN)	856268		
GANTRY 1 GLASS SHELF+LIGHT (4GN)		856269	
GANTRY 1 GLASS SHELF+LIGHT (6GN)			856270
GANTRY 1 SS.SHELF+SNEEZE GUARD (3GN)	856252		
GANTRY 1 SS.SHELF+SNEEZE GUARD (4GN)		856253	
GANTRY 1 SS.SHELF+SNEEZE GUARD (6GN)			856254
GANTRY 1GL.SHELF+LIGHT+S.GUARD 2SIDE-3GN	856507		
GANTRY 1GL.SHELF+LIGHT+S.GUARD 2SIDE-4GN		856508	
GANTRY 1GL.SHELF+LIGHT+S.GUARD 2SIDE-6GN			856509
GANTRY 2 GLASS SHELVES+LIGHT (3GN)	856272		
GANTRY 2 GLASS SHELVES+LIGHT (4GN)		856273	
GANTRY 2 GLASS SHELVES+LIGHT (6GN)			856274
GRID FRAME FOR REFRIGERATED CUPBOARDS	856192	856192	856192
KIT 2S/S CAPS FOR TOP OF UNIT W/O GANTRY	856494	856494	856494
KIT HACCP ADVANCED CONNECTION-SELF COLD	880094	880094	880094
KIT HACCP EKIS	922166	922166	922166
KIT WATER DISCHARGE+HEAT.ELEM. COLD UNIT	856518	856518	856518
L/H END ELEM.STRAIGHT(BEECHW)+KICK.STRIP	856303	856303	856303
L/H END ELEM.STRAIGHT(CHERRY)+KICK.STRIP	856302	856302	856302
L/H END ELEMENT ROUND(BEECHW)+KICK.STRIP	856297	856297	856297
L/H END ELEMENT ROUND(CHERRY)+KICK.STRIP	856296	856296	856296
L/H END ELEMENT-S/S PANEL	856424	856424	856424
L/H END ELEMENT-S/S PANEL+KICK.STRIP	856422	856422	856422
PRINTER FOR HACCP BASIC VERSION	881532	881532	881532
R/H END ELEM.STRAIGHT(BEECHW)+KICK.STRIP	856304	856304	856304
R/H END ELEM.STRAIGHT(CHERRY)+KICK.STRIP	856299	856299	856299
R/H END ELEMENT ROUND(BEECHW)+KICK.STRIP	856298	856298	856298
R/H END ELEMENT ROUND(CHERRY)+KICK.STRIP	856295	856295	856295
R/H END ELEMENT-S/S PANEL+KICK.STRIP	856421	856421	856421
R/H END ELEMENT-SS PANEL	856423	856423	856423
S/S FRONT KICKING STRIP (3 GN)	856073		
S/S FRONT KICKING STRIP (4 GN)		856074	
S/S FRONT KICKING STRIP (6 GN)			856075
S/S KICKING STRIP OPERATOR SIDE(3GN)REF.	856199		
S/S KICKING STRIP OPERATOR SIDE(4GN)REF.		856200	
S/S KICKING STRIP OPERATOR SIDE(6GN)REF.			856202
S/S TUBULAR TRAY SLIDER (3 GN)	856039		
S/S TUBULAR TRAY SLIDER (4 GN)		856040	
S/S TUBULAR TRAY SLIDER (6 GN)			856041



www.zanussiprofessional.com



LEGEND

	ZLRW12C 332021	ZLRW16C 332022	ZLRW20C 332023
C - Water drain	20 mm	20 mm	20 mm
I - Electrical connection	220...240 V, 1N, 50	220...240 V, 1N, 50	220...240 V, 1N, 50
M - Remote refrigeration unit	Built-In		



www.zanussiprofessional.com

## Free Manuals Download Website

<http://myh66.com>

<http://usermanuals.us>

<http://www.somanuals.com>

<http://www.4manuals.cc>

<http://www.manual-lib.com>

<http://www.404manual.com>

<http://www.luxmanual.com>

<http://aubethermostatmanual.com>

Golf course search by state

<http://golfingnear.com>

Email search by domain

<http://emailbydomain.com>

Auto manuals search

<http://auto.somanuals.com>

TV manuals search

<http://tv.somanuals.com>