

RANGE COMPOSITION

Zanussi Professional have designed and produced a complete range of refrigerated tables, that combines the dual function of worktop and refrigerated table. This versatility allows notable savings in space whilst offering functional and modular solutions to kitchen requirements.



728298

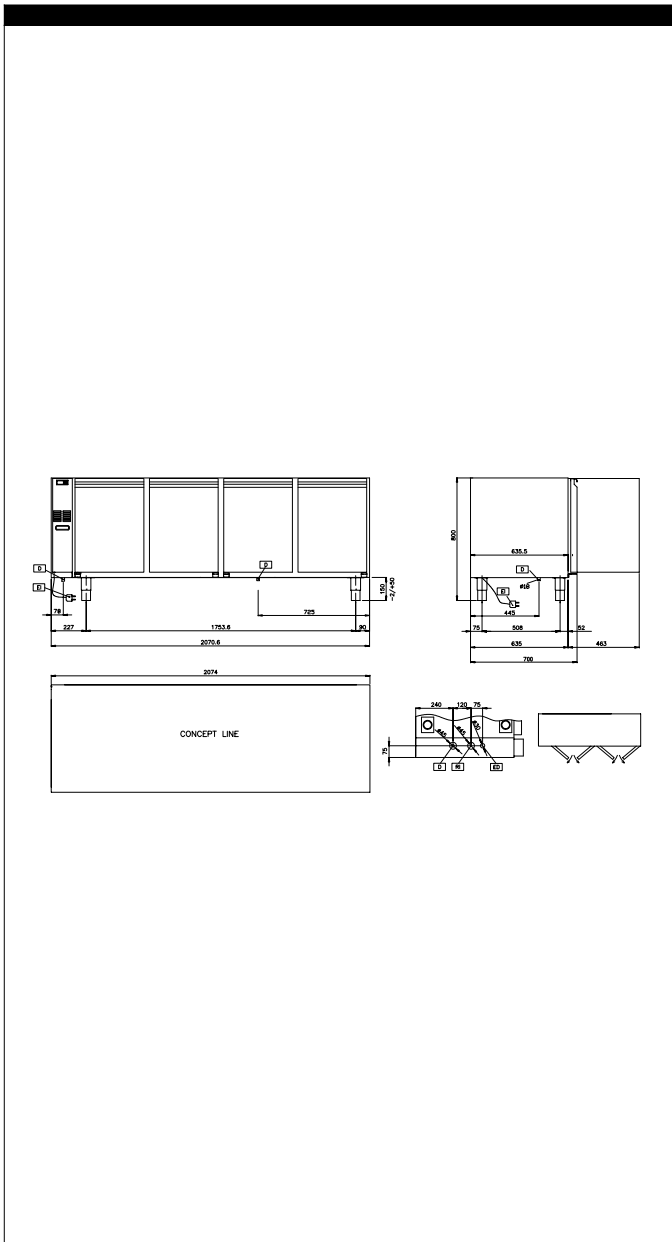
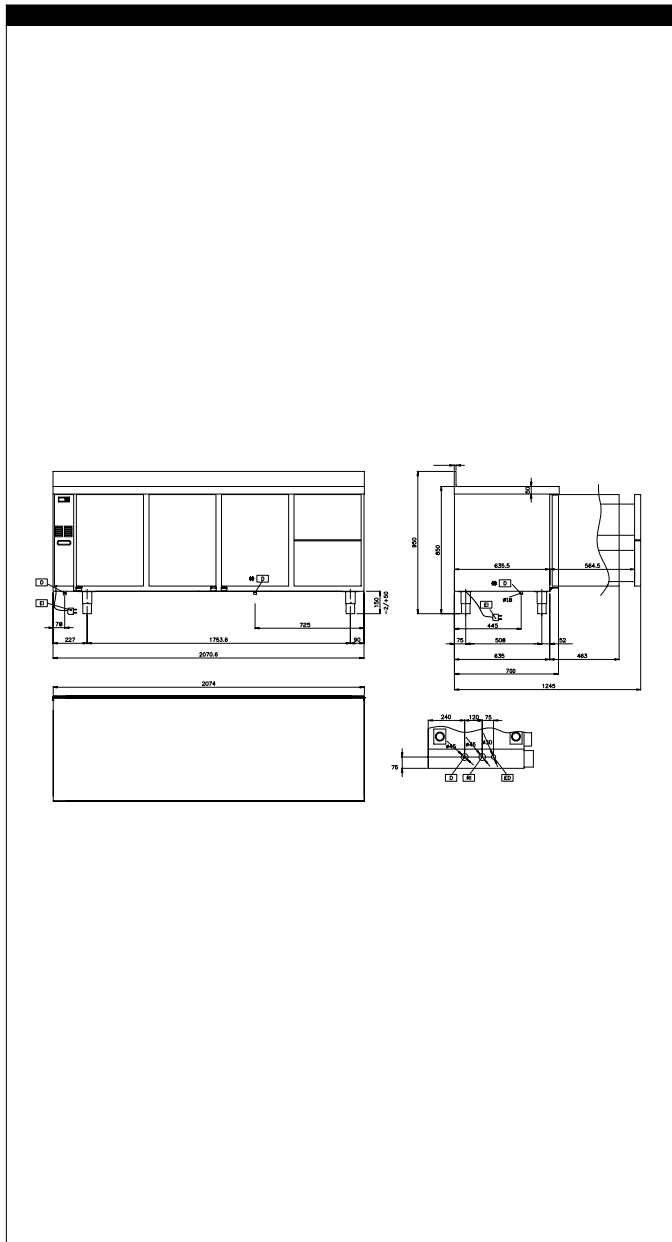
CONCEPT SERIES - REMOTE

REFRIGERATED TABLES - 4 COMPARTMENTS **ZANUSSI** PROFESSIONAL

FUNCTIONAL AND CONSTRUCTION FEATURES

- ◆ Remote refrigeration unit.
- ◆ 150mm height-adjustable feet.
- ◆ Internal and external doors, front and side panels and worktop in 304 AISI stainless steel
- ◆ Rounded internal corners for ease of cleaning.
- ◆ Refrigerated compartment designed to accommodate GN 1/1 containers.
- ◆ Digital control panel.
- ◆ Suitable to operate in ambient temperatures up to +43°C. Temperature range: -2/+10 °C.
- ◆ Forced air circulation for rapid cooling and an even temperature distribution.
- ◆ Automatic evaporation of defrost water. Drain outlet.
- ◆ Access to all components from the front.
- ◆ In compliance with H requirements.
- ◆ C.F.C. and H.C.F.C. free.
- ◆ High-density expanded polyurethane foam, 50 mm in thickness, with cyclopentane injection.
- ◆ Developed and produced in ISO 9001 and ISO 14001 certified factory.

CHARACTERISTICS	MODELS				
	HB4PR 728297	HB4PNTR 727110	HB3P2CR 728298	HB2P4CR 728299	HB8CR 728300
Operating temperature - min/max °C	-2/10	-2/10	-2/10	-2/10	-2/10
Operating mode	Ventilated	Ventilated	Ventilated	Ventilated	Ventilated
Gross capacity (D.I.N. 8952) - l.	560	560	560	560	560
Cooling unit	Remote	Remote	Remote	Remote	Remote
External dimensions - mm					
width	2074	2074	2074	2074	2074
depth/with open doors	700, 1102	700, 1098	700, 1102	700, 1102	700, 1102
height	850	800	850	850	850
Internal dimensions - mm					
depth	580	580	580	580	580
height	543	543	543	543	543
Without worktop		●			
Top material	304 AISI	Galvanized Steel	304 AISI	304 AISI	304 AISI
Min/Max internal humidity - %	50	50	50	50	50
N° of drawers			2½	4x1/2	8x1/2
Door hinges	2 Left+2 Right	2 Left+2 Right	2 Left+1 Right	1 Left+1 Right	
N° defrost in 24 hrs.	4/30	4/30	4/30	4/30	4/30
Refrigerant type	R404a	R404a	R404a	R404a	R404a
Refrigerant power					
at evaporation temperature - °C	-20	-20	-20	-20	-20
Power - kW					
installed-electric	0.009	0.009	0.009	0.009	0.009
Net weight - kg.	174	174	182	198	198
Power supply - V, phases, Hz	230 V, 1N, 50	230 V, 1N, 50	230 V, 1N, 50	230 V, 1N, 50	230 V, 1N, 50
No Worktop		●			
INCLUDED ACCESSORIES					
1/1 GN GREY "RILSAN" GRID	4	4	3	2	



	HB4PR 728297	HB4PNTR 727110	HB3P2CR 728298	HB2P4CR 728299	HB8CR 728300
D - Water drain	16mm	16mm	16mm	16mm	16mm
ED - Remote electrical connection	●	●	●	●	●
EI - Electrical connection	230 V, 1N, 50	230 V, 1N, 50	230 V, 1N, 50	230 V, 1N, 50	230 V, 1N, 50

ACCESSORIES	MODELS				
	HB4PR 728297	HB4PNTR 727110	HB3P2CR 728298	HB2P4CR 728299	HB8CR 728300
2x1/4 DRAWER KIT FOR REFRIGERATED TABLES	880118	880118	880118	880118	
3x1/3 DRAWER KIT FOR REFRIGERATED TABLES	880115	880115	880115	880115	880115
AUTOMATIC DEFROST WITH WASTE EVAPORATION	880028	880028	880028	880028	880028
DRAWER KIT-1/3+2/3 (BOTTLES)-REF.TABLES	880126	880126	880126	880126	880126
KIT 2 S/S GRIDS GN1/1 FOR REFRIG.TABLES	880139	880139	880139	880139	
KIT 4 WHEELS (2 W/BRAKE)+4 (40MM)SPACERS	880025	880025	880025	880025	880025
KIT DOOR REVERSIBILITY FOR REF.TABLES	880046	880046	880046	880046	880046
KIT HACCP EKIS	922166	922166	922166	922166	922166
KIT INTEGRATED HACCP-DIG. REFR. (IR33)	880205	880205	880205	880205	880205
LOCK KIT FOR REFRIGERATED TABLES	880130	880130	880130	880130	880130
PRINTER FOR HACCP BASIC VERSION REFRIG.	881457	881457	881457	881457	881457
REMOTE UNIT FOR 4 DOOR REFRIG.TABLES	880045	880045	880045	880045	880045
S/S STRUCTURE TO SUPPORT 6 GRIDS (R+L)	880140	880140	880140	880140	
WORKTOP FOR 4 DOOR REFRIG.TABLES-REMOTE		880199			
WORKTOP+UPSTAND F. 4 DOOR REF.TABLE-REM		880114			



www.zanussiprofessional.com

Free Manuals Download Website

<http://myh66.com>

<http://usermanuals.us>

<http://www.somanuals.com>

<http://www.4manuals.cc>

<http://www.manual-lib.com>

<http://www.404manual.com>

<http://www.luxmanual.com>

<http://aubethermostatmanual.com>

Golf course search by state

<http://golfingnear.com>

Email search by domain

<http://emailbydomain.com>

Auto manuals search

<http://auto.somanuals.com>

TV manuals search

<http://tv.somanuals.com>