

ZANUSSI

**Instructions
for the use and care of
Z1163 TR - ZR 54/3
Z1165 TR - ZR 56/L
refrigerators**

It is most important that this instruction book should be retained with the appliance for future reference. Should the appliance be sold or transferred to another owner, or should you move house and leave the appliance, always ensure that the book is supplied with the appliance in order that the new owner can be acquainted with the functioning of the appliance and the relevant warnings.

Refrigeration Warnings

THESE WARNINGS ARE PROVIDED IN THE INTEREST OF SAFETY. YOU MUST READ THEM CAREFULLY BEFORE INSTALLING OR USING THE APPLIANCE.

- This appliance is designed to be operated by adults. Children should not be allowed to tamper with the controls or play with the product.
- Any electrical work required to install this appliance should be carried out by a qualified electrician.
- This product should be serviced by an authorised Zanussi Network Service Centre, and only genuine Zanussi spare parts should be used.
- It is dangerous to alter the specifications or modify the product in any way.
- Care must be taken to ensure that the appliance does not stand on the electrical supply cable.
- Zanussi domestic refrigerators and fridge/freezers are designed to be used specifically for the storage of edible foodstuffs only.
Frozen food must not be re-frozen once it has been thawed out.
- Manufacturers' storage recommendations should be strictly adhered to. Refer to relevant instructions.
- There are working parts in this product which heat up. Always ensure that there is adequate ventilation as a failure to do this will result in component failure and possible food loss. See installation instructions.
- Parts which heat up should not be exposed. Wherever possible the back of the product should be against a wall.
- Before any cleaning or maintenance work is carried out, be sure to switch off the appliance and unplug.
- The inner lining of the appliance consists of channels through which the refrigerant passes. If this should be punctured this would damage the appliance beyond repair and cause food loss. **DO NOT USE SHARP INSTRUMENTS** to scrape off frost or ice. Frost may be removed by using the scraper provided. Under no circumstances should solid ice be forced off the liner. Solid ice should be allowed to thaw when defrosting the appliance. See defrost instructions.
- The appliance should be left for 2 hours after installation before it is turned on in order to allow the refrigerant to settle.
- Do not place carbonated or fizzy drinks in the freezer as it creates pressure on the container, which may cause it to explode, resulting in damage to the appliance.
- This appliance is heavy. Care should be taken when moving it.
- Ice lollies can cause frost burns if consumed straight from the freezer.
- Under no circumstances should you attempt to repair the appliance yourself. Repairs carried out by inexperienced persons may cause injury or more serious malfunctioning. Refer to your local Zanussi Network Centre, and always insist on genuine Zanussi spare parts.

Installation

Foreword

If you are discarding an older appliance with a spring lock please ensure that the lock is made unusable to avoid accidents to young children.

Electricity Supply

The appliance is for operation on a 220/240 V. 50 Hz supply, so be sure that your electricity supply voltage is within the range marked on the nameplate located inside the cabinet.

Earthing

WARNING: THIS APPLIANCE MUST BE EARTHED. The manufacturer declines any liability should this safety measure not be observed.

If the plug that is fitted to your appliance is not suitable for your socket outlet, it must be cut off and the appropriate plug fitted.

The cut off plug should be disposed of to prevent the hazard of electric shocks in case it should be plugged into a 13 Amp socket in another part of your home.

Electrical connection

IMPORTANT: The wires in this mains lead are coloured in accordance with the following code:

GREEN AND YELLOW - EARTH

BLUE - NEUTRAL

BROWN - LIVE

If you fit your own plug, the colours of the wires in the mains lead of your appliance may not correspond with the markings identifying the terminals in your plug, this is what you have to do: Connect the green and yellow (earth) wire to the terminal in the plug which is marked with the letter "E" or the earth symbol \perp , or coloured green, or green

and yellow.

Connect the blue (neutral) wire to the terminal in the plug which is marked with the letter "N" or coloured black.

Connect the brown (live) wire to the terminal which is marked with the letter "L" or coloured red.

The plug moulded on to the cord incorporates a fuse. For replacement use a 13 Amp BS 1362 fuse. Only ASTA approved fuses should be used.

The fuse cover/carrier must be replaced in the event of changing fuse.

The right fuse cover/carrier colour is the one shown by the coloured insert at the base of the plug or is the colour of the inscription at the base of the plug.

The plug must not be used if the fuse cover/carrier is lost. A replacement cover/carrier must be obtained from Zanussi Service Agents whose addresses are listed on the attached "Zanussi Service and Spares Nationwide".

This appliance complies with E.E.C. Directive No. 82/499 of 7-6-82 relative to radio interference suppression.

Some models have the main terminal board of the type shown in fig. 1.

To gain access to the terminals of the supply cable, remove the lid from the terminal board by releasing the two catches "A" and "B" Fig. 1 with the aid of a small blade screwdriver.

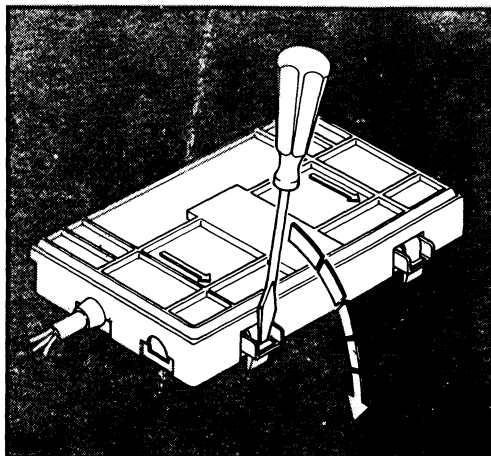


Fig. 1

Operation

Refrigerator - Starting-up Temperature Regulation Modd. ZR 56/L - ZR 54/3 Z1163TR - Z1165 TR

Insert the plug into the wall socket. Open the refrigerator door and turn the thermostat knob, to be found on the upper right side of the inner liner, clockwise beyond the "●" position (stop) to start the appliance.

Temperature adjustment is obtained by turning the thermostat knob to the required setting. A medium setting is generally the most suitable.

However, the thermostat knob setting should be adjusted depending on the inner temperature of the refrigerator, which in turn depends on a number of factors, such as the ambient temperature, the number of times the door is opened, the quantity of food stored and the location of the appliance.

Turn the knob clockwise to higher numbers to obtain a lower temperature or anticlockwise if a less cold temperature is required.

Frozen food storage (mod. Z1163TR - ZR 54/3)

- Net frozen food storage volume 21 l.
mod. Z1163TR - ZR 54/3.
- Total gross capacity 160 l.
mod. Z1163TR - ZR 54/3

The refrigerators model ZR 54/3 - Z1163TR have a storage compartment marked with the 3-star symbol ******* which due to the low temperature reached (-18 °C), is suitable for long term storage of frozen foods (i.e. 3 months, unless otherwise stated by the manufacturer).

Do not exceed the storage limits for the rating of the frozen food packets given by the manufacturer.

Location

Place the appliance away from all heat sources, such as: radiators, heating stoves, direct sunlight, etc. Best results are obtained with a room temperature ranging between +16 °C and +32 °C (for "class N" appliances).

Make sure that there is nothing at the back, at the top and at the bottom of the appliance to obstruct air circulation.

For a more efficient operation of the appliance, the minimum distance between the top of the appliance and other overhanging kitchen furniture, in any, should be at least 100 mm (see Fig. 2 A). However, the best solution would be that shown in Fig. 2 B with no overhanging furniture.

Before using

Remove all securing tapes. Wash inside the appliance with lukewarm water and a little bicarbonate of soda (one teaspoonful to one quart of water).

Do not use soap or detergent as the smell might linger. Dry thoroughly.

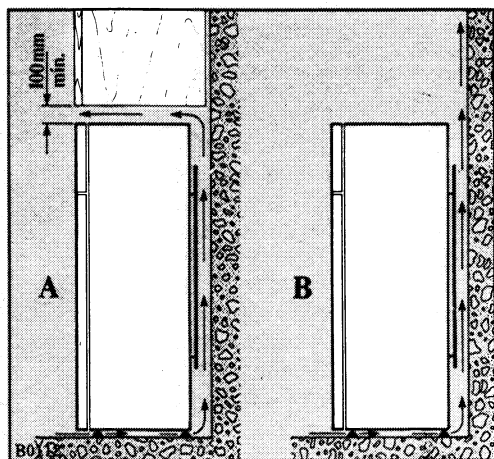


Fig. 2

Attention:

Do not put carbonated liquids (fizzy drinks, etc.) into the *******-star compartment.

Water ices, if consumed immediately after removal from the freezer, can possibly result in a low-temperature skin burn condition.

If there is a power failure during the storage of frozen food, do not open the door during the whole time of the failure.

If the freezer is fully loaded, the frozen food will not be affected if the power cut is of short duration (a temperature increase can shorten its storage life); otherwise, it is recommended to consume the food within a very short time.

Fresh food refrigeration

To obtain the best performance, do not store warm food or evaporating liquids in the refrigerator, do cover or wrap the food, particularly if it has a strong flavour; do not cover the shelves with any protective material, such as paper, cardboard or plastic, which may obstruct the air circulation through them.

To help you use your refrigerator correctly, here are some useful hints: Raw meat (beef, pork, lamb & wild fowl): wrap in polythene bags and place on top of the salad crisper.

Meat can only be stored safely in this way for one or two days at the most.

Cooked food, cold cuts, jelly, etc.: these should be well covered and can be stored on anyone of the shelves.

Fruit & vegetables: these should be thoroughly cleaned and placed in the bottom drawer.

Butter & cheese: these should be placed in special airtight containers or wrapped in aluminium foil or polythene bags to exclude as much air as possible.

Milk bottles: these should have a cap and should be stored in the bottle rack on the door.

Drink-chiller

(For models incorporating a drinks dispenser)

The container for cooling drinks, which is located on the inner door or - depending on the model of appliance - on the ceiling of the fridge compartment, can easily be removed from its runners for filling.

To pour out a drink, press the glass upwards, against the tap arms.

Upon removing the glass, the tap turns itself off.

To clean the container, we recommend that you rinse it several times with hot water after letting the water cool down inside the container itself.

It also helps, for a thorough cleaning of the container, to add a spoonful of baking soda to the rinsing water. Turn the dispenser tap on and off a number of times to allow sugar deposits from soft drinks or sweet wines to dissolve.

Empty the container and rinse with clean water.

Defrosting

Frost is automatically eliminated from the evaporator of the refrigerator compartment every time the motor compressor stops.

The defrost water drains out through a trough into a special container on the back of the appliance where it evaporates.

The storage compartment of models Z1163TR - ZR 54/3, instead, will become progressively covered with frost.

This should be removed with the special plastic scraper provided whenever the thickness of the frost exceeds 1/4".

During this operation it is not necessary to switch off the power supply or to remove the foodstuffs. However, when the ice becomes very thick on the inner liner, complete defrosting should be carried out. It is advisable to carry out this operation when the appliance is empty.

To carry out complete defrosting of the ******* -star compartment proceed as follows;

Remove any stored food and wrap it in several layers of newspaper and put it in a cool place;

Pull out the plug from the wall socket;

Leave the doors open;

When defrosting is completed, dry thoroughly;

Replace the plug in the socket and, after letting the appliance run for at least half an hour, replace the previously removed food into the ******* star compartment.

Important:

A temperature rise of the frozen food packs during defrosting may shorten their storage life.

Never use sharp metal tools to scrape off frost from the evaporator as you could thereby damage it.

Maintenance

Prior to undertaking any maintenance operation, be sure to unplug the appliance from the wall socket as a safety precaution.

Clean out the interior periodically with lukewarm water and some bicarbonate of soda, the cabinet exterior with a Silicon wax spray, the condenser and the motor compressor with a brush or a vacuum cleaner.

Clean the drain hole of the defrost water through at regular intervals and make sure that this strain hole is never obstructed, so that the defrost water may flow out freely.

During periods when the appliance is not in use, take the following precautions:

unplug the refrigerator from the power supply;

remove all foodstuffs from the refrigerator;

clean the interior and all accessories;

leave the door ajar to facilitate the circulation of air in the interior of the cabinet so as to prevent unpleasant odours from lingering in the appliance.

Servicing

Should service be required for this appliance, contact your local Service Agent but before requesting service the following simple checks may save you inconvenience and expense;

If there are water drops on the bottom of the fridge compartment, check that the defrost water drain opening is not obstructed.

Check that the plug is firmly in the wall socket;

Check that there is an electricity supply to the socket by plugging in another appliance;

Turn the thermostat knob to the coldest setting;

If the motor still does not run, contact your Service Agent.

Replacing the interior light bulb (for models incorporating this feature)

The light bulb can easily be reached. If the light does not come on when the door is opened, check that the light bulb is correctly screwed in; if after this it still does not light up, replace the bulb.

The production-assembled lamp is rated 10 W. If necessary, replace it with a lamp of same rating.

Door reversal directions (Fig. 3 - 4)

Before carrying out the operations described below, pull out the mains plug from the wall socket.

To carry out this reversal go through the following steps:

- a) Remove bottom hinge 6;
- b) Remove door 5;
- c) Unscrew pin 3 from the top hinge 2 and refit it on the opposite side;
- d) Unscrew part 7 and refit it on the opposite side;
- e) Refit the door and the bottom hinge (into the holes already provided);
- f) Remove handle 4 and refit it on the opposite side (the fixing holes are already provided).

Aligning the moulded plastic worktop (Fig. 3)

The appliance comes with the worktop aligned with the door.

To change the alignment, proceed as follows:

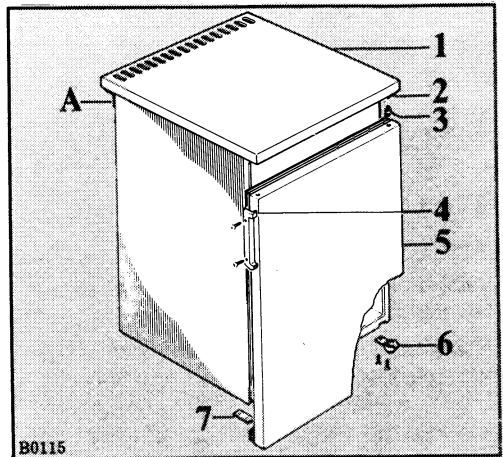
remove the two screws A securing the plate (1) at the rear, shift it forward to the required position and then refit the two fixing screws.

Aligning the laminated plastic worktop (Fig. 4)

The appliance comes with the worktop aligned with the door.

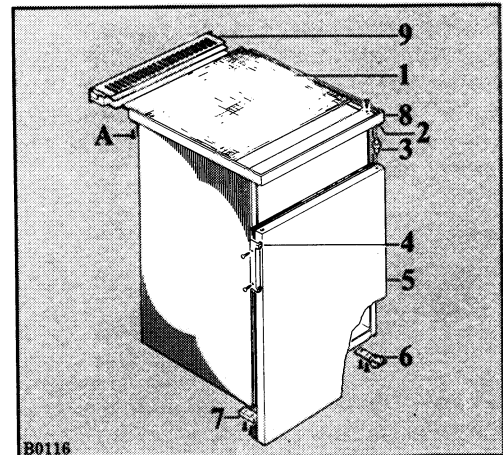
To change the alignment, proceed as follows;

- a) Remove the two screws A;
- b) Remove wall spacer 9 (which is push-fitted) by pulling it out at both ends;
- c) Slide out panel 1;
- d) Remove the screws fixing frame 8 to the cabinet and, after selecting the new position, refit the frame and screw down the previously removed screws;
- e) Refit panel 1 and wall spacer 9;
- f) Refit the two fixing screws A.



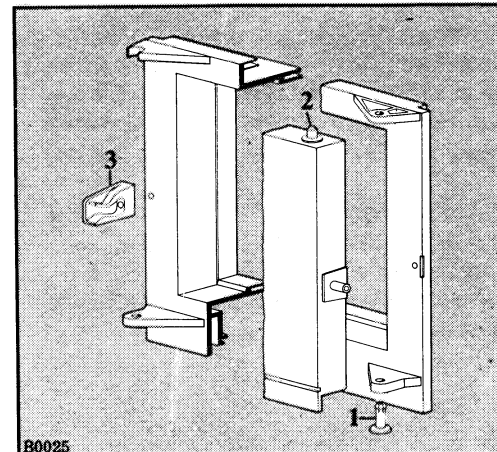
B0115

Fig. 3



B0116

Fig. 4



B0025

Fig. 5

Storage compartment door

(Fig. 5)

When reversing the door opening direction of the appliance, it is advisable to also reverse the opening direction of the evaporator compartment door.

To carry out this reversal, proceed as follows:

Using a screwdriver slide out the peg (1), then remove the door from the compartment;

Remove the closing catch (3) and refit it on the opposite side;

Take off the pin (2) from its seat and place it in the new seat on the opposite side;

Refit the compartment door on the opposite side fitting the top peg into the new seat, securing the door at the bottom by means of peg (1).



ZANUSSI STANDARD GUARANTEE CONDITIONS

This guarantee is in addition to your statutory and other legal rights which will not be excluded or in any way diminished by the return of the guarantee card.

We, Zanussi Limited, undertake that if, within twelve months (24 months for TV sets) of the date of the purchase, this ZANUSSI appliance or any part thereof is proved to be defective by reason only of faulty workmanship or materials, we will, at our option, repair or replace the same **FREE OF ANY CHARGE** for labour, materials or carriage on condition that:

—The appliance has been correctly installed and used only on the electricity supply stated on the rating plate.

—The appliance has been used for normal domestic purposes only, and in accordance with the manufacturer's operating and maintenance instructions.

—The appliance has not been serviced, maintained, repaired, taken apart or tampered with by any person not authorised by us.

—The appliance is still in the possession of the original purchaser.

All service work under this guarantee must be undertaken by a Zanussi Network Service Centre (or the Zanussi Authorised TV Service Dealer).

Any appliance or defective part replaced shall become our property.

Exclusions

This guarantee does not cover:

—Damage or calls resulting from transportation, improper use or neglect, the replacement of any light bulbs or removable parts of glass or plastic.

—Costs incurred for calls to put right machines improperly installed or calls to machines outside the UK and the Republic of Ireland.

—Appliances found to be in use within a commercial environment, plus those which are the subject of rental agreements.

—Television receivers - routine adjustment, or poor reception resulting from a source outside of the receiver.



ZANUSSI 5 YEAR COVER CONDITIONS

For a once-only payment you can extend your Standard Guarantee to 5 years. All the conditions and exclusions of the Standard Guarantee apply.

Notes

1. Products supplied as "seconds", refurbished, damaged or shop-soiled are not eligible for Zanussi 5 year cover.
2. The issue of a cover does NOT by virtue of our having done so, nullify the exclusions.
3. The Engineer will need to check the details of your Cover card and may make a charge for his services if it is not presented to him at the time of his call.
4. The date of purchase, or the date of initial payment (deposit) of the appliance will be deemed the date of commencement of cover.
5. Covers issued are not refundable or transferable.

ZANUSSI
The appliance of science

Free Manuals Download Website

<http://myh66.com>

<http://usermanuals.us>

<http://www.somanuals.com>

<http://www.4manuals.cc>

<http://www.manual-lib.com>

<http://www.404manual.com>

<http://www.luxmanual.com>

<http://aubethermostatmanual.com>

Golf course search by state

<http://golfingnear.com>

Email search by domain

<http://emailbydomain.com>

Auto manuals search

<http://auto.somanuals.com>

TV manuals search

<http://tv.somanuals.com>