

# ZANUSSI

## REFRIGERATOR ZA 26 S

INSTRUCTION BOOKLET

# IMPORTANT SAFETY INFORMATION

It is most important that this instruction book should be retained with the appliance for future reference. Should the appliance be sold or transferred to another owner, or should you move house and leave the appliance, always ensure that the book is left with the appliance in order that the new owner can get to know the functioning of the appliance and the relevant safety information.

This information has been provided in the interest of safety. You **MUST** read it carefully before installing or using the appliance.

## Installation

- This appliance is heavy. Care should be taken when moving it.
- It is dangerous to alter the specifications or attempt to modify this product in any way.
- Care must be taken to ensure that the appliance does not stand on the electrical supply cable.  
**Important:** if the supply cable is damaged, it must be replaced by a special cable available from your local Service Force Centre.
- Any electrical work required to install this appliance should be carried out by a qualified electrician or competent person.
- Parts which heat up should not be exposed. Whenever possible, the back of the appliance should be close to a wall but leaving the required distance for ventilation as stated in the installation instructions.
- The appliance should be left for 2 hours after installation before it is turned on, in order to allow the refrigerant to settle.

## Child Safety

- Do not allow children to tamper with the controls or play with the product.
- Keep all packaging well away from children.

## General Safety

- **This appliance contains hydrocarbons in its cooling unit; maintenance and recharging must therefore only be carried out by authorized technicians.**
- **Take utmost care when handling your appliance so as not to cause any damages to the cooling unit with consequent possible fluid leakages.**
- **The appliance must not be located close to cookers, radiators or boilers.**
- **Avoid prolonged exposure of the appliance to direct sunlight.**
- **Do not use other electrical appliances (such as ice cream makers) inside of refrigerating appliances.**

## During Use

- This appliance is designed for domestic use only, specifically for the storage of edible foodstuffs.

- Frozen food must NOT be re-frozen once it has thawed out.
- Do not place carbonated or fizzy drinks in the freezer.
- Do not remove items from the freezer if your hands are damp/wet, as this could cause skin abrasions or frost/freezer burns.
- Ice lollies can cause 'frost/freezer burns' if consumed straight from the freezer.
- Manufacturers' storage recommendations should be strictly adhered to. Refer to relevant instructions.
- The cooling plate or refrigerated freezer shelves in this appliance contain channels through which the refrigerant passes. If these are punctured this will cause substantial damage to the appliance and result in food loss. **DO NOT USE SHARP INSTRUMENTS** to scrape off frost or ice. Under **NO** circumstances should solid ice be forced off the lining or shelves. Solid ice should be allowed to thaw, when defrosting the appliance. See Defrost Instructions.

## Maintenance and Cleaning

- Switch off and unplug the appliance before carrying out any cleaning or maintenance work.

## Servicing

- This product should be serviced by an authorised engineer and only genuine spare parts should be used.
- Under no circumstances should you attempt to repair the machine yourself. Repairs carried out by inexperienced persons may cause injury or serious malfunctioning. Refer to your local Service Force Centre and always insist on genuine spare parts.

## At the end of the Appliance Life

- When disposing of your appliance, use an authorised disposal site.
- Remove the plug and ensure that any locks or catches are removed, to prevent young children being trapped inside.

# CONTENTS

## Instructions for the User

|                                     |    |
|-------------------------------------|----|
| <b>Important Safety Information</b> | 2  |
| <b>Description of the Appliance</b> | 4  |
| <b>Operation</b>                    | 5  |
| Before use                          | 5  |
| Setting the temperature             | 5  |
| Freezing fresh food                 | 5  |
| Storage of frozen food              | 5  |
| Thawing                             | 6  |
| Making ice cubes                    | 6  |
| Fresh food refrigeration            | 6  |
| Dual purpose meat box               | 6  |
| Movable shelves                     | 7  |
| Positioning the door shelves        | 7  |
| <b>Hints and Tips</b>               | 8  |
| <b>Maintenance and Cleaning</b>     | 9  |
| Internal cleaning                   | 9  |
| External cleaning                   | 9  |
| When the appliance is not in use    | 9  |
| Changing the light bulb             | 9  |
| Defrosting                          | 9  |
| <b>Something Not Working</b>        | 11 |
| <b>Service and Spare Parts</b>      | 12 |
| <b>Customer Care</b>                | 12 |
| <b>Guarantee Conditions</b>         | 15 |

## Instructions for the Installer

|                                |    |
|--------------------------------|----|
| <b>Technical Specification</b> | 16 |
| <b>Installation</b>            | 17 |
| Positioning                    | 17 |
| Rear Spacers                   | 17 |
| <b>Electrical Connection</b>   | 18 |
| <b>Door Reversal</b>           | 19 |
| <b>Inner Door Reversal</b>     | 19 |

# DESCRIPTION OF THE APPLIANCE



- A- Frozen food storage
- B- Thermostat control
- C- Cooked foods storage glass shelf
- D- Cooked foods storage glass shelves
- E- Salad crisper (to keep fruit and vegetables fresh)
- F- Bottle storage shelf
- G- Can storage shelf
- H- Can storage shelf
- I- Can storage shelf with egg tray
- J- Dairy compartment

# OPERATION

## Before using

Remove all securing tapes. Wash inside the appliance with lukewarm water and bicarbonate of soda (5 ml to 0.5 litre of water).

**Do not use soap or detergent as the smell may linger. Dry thoroughly.**

## Setting the temperature

The temperature inside the refrigerator is regulated by a thermostat with 6 temperature positions and one «OFF» (O) position.

Position 1 = minimum coldness

Position 6 = maximum coldness

Turn the thermostat dial to the required position.

**The intermediate position is usually the most suitable (3-4).**

The thermostat setting can vary as the temperature inside the refrigeration compartment depends on the following factors:

- room temperature
- how often the door is opened
- how much food is stored
- position of the appliance



### Important

During prolonged periods of abnormally hot weather, if the thermostat is set on too high a number, the cooling system may operate continuously and the fridge cooling plate may not defrost. Turning the knob to a lower number will cause the automatic defrosting to resume.

## The freezer compartment

The four-star freezer compartment is suitable for storage of commercially frozen food and for freezing fresh foods.

## Freezing fresh food

To freeze fresh foods it is not necessary to change the setting of the thermostat knob.

However, for a quicker freezing operation, turn the thermostat knob to the coldest setting; but remember that, in this condition the refrigerator compartment temperature might drop below 0° C.

If this occurs reset thermostat knob to a warmer setting.

In any 24 hours you can freeze up to 2 kg. of fresh food.



### Important

In the event of a power cut do not open the door. The food in the freezer will not be affected if the power cut is short and if the freezer is full. Should the food begin to thaw, it must be consumed quickly and must not be re-frozen.

## Storage of frozen food

When first starting-up or after a period of use, before putting the products in the compartment let the appliance run for at least two hours on the coldest setting, then turn the thermostat knob to the normal operation position.

Do not exceed the storage period indicated by the manufacturer.

Finally, do not open the door frequently or leave it open longer than is absolutely necessary.



### Warning

Do not put carbonated liquids, (fizzy drinks etc.), in the freezer compartment.

Ice lollies, if consumed immediately after removal from the freezer, can cause low temperature skin burns.

Do not remove items from the freezer if your hands are damp/wet, as this could cause skin abrasions or "frost/freezer burns".

## Thawing

Frozen food, prior to being used, can be thawed in the fridge or at room temperature depending on the time available. Small food items may even be cooked from frozen; in this case cooking will take longer.

Any frozen food which is allowed to thaw accidentally should either be eaten as soon as possible or thrown away. Alternatively, if the food is uncooked and has not been completely defrosted it can be cooked and then refrozen.

Meat, fish and fruit should be thawed in the refrigerator compartment and small pieces of meat can even be cooked while still frozen, but you must ensure that it is thoroughly cooked through.

Vegetables should be directly immersed in boiling water; ready-cooked dishes can be placed directly in the oven in their aluminium wrapping.

A microwave oven is particularly suitable for thawing any type of frozen or deep-frozen food: follow the oven instructions, particularly regarding the placement of aluminium wrapping or containers in the oven.



**Defrosted cooked food must never be refrozen.**

## Making ice cubes

The appliance is provided with one or more trays for ice-cubes trays.

Fill the tray(s) 3/4 full to give the ice space to expand and place them in the freezer compartment.

To release the ice cubes simply give the tray a slight twist.

Do not use sharp or metallic instruments to remove the trays from the freezer.

## Fresh food refrigeration

To obtain the best performance, do not store warm food or evaporating liquids in the refrigerator; do cover or wrap the food, particularly if it has a strong flavour.

Do not cover the shelves with any protective material, such as paper, cardboard or plastic, which may obstruct the air circulation through them.

To help you use your refrigerator correctly, here are some more useful hints:

**Raw meat (beef, pork, lamb & poultry or chicken):** wrap in polythene bags and place on top of the salad crispers.

**Meat can only be stored safely in this way for one or two days at the most.**

**Fruit & vegetables:** these should be thoroughly cleaned and placed in the bottom salad crispers.

**Butter & cheese:** these should be placed in special airtight containers or wrapped in aluminium foil or polythene bags to exclude as much air as possible.

**Milk bottles:** these should have a cap and should be stored in the bottle rack on the door.

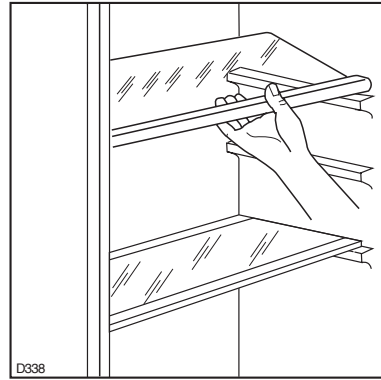
## Dual purpose meat box

The meat box can also be used as a salad crisper.

## Movable shelves

The walls of the refrigerator are equipped with runners so that shelves can be positioned as desired.

For better use of space, the front half-shelves can lie over the rear ones.

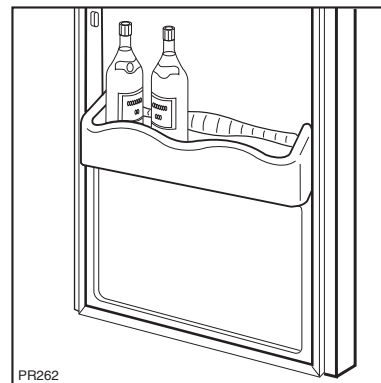
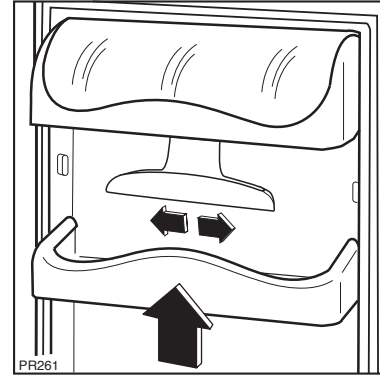


## Positioning the inner shelves

To permit storage of food packages of various sizes, the door shelves can be adjusted in height.

To make these adjustments proceed as follows:

Gradually pull the shelf in the direction of the arrows until it comes free, then reposition as required .



# HINTS AND TIPS

## Normal Operating Sounds

- You may hear faint gurgling or bubbling sounds when the refrigerant is pumped through the coils or tubing at the rear, to the cooling plate/evaporator.
- When the compressor is on, the refrigerant is being pumped round, and you will hear a whirring sound or pulsating noise from the compressor.
- A thermostat controls the compressor, and you will hear a faint 'click' when the thermostat cuts in and out.

## Food Storage

To obtain the best performance from your fridge-freezer

- Do not store warm food or evaporating liquids.
- Avoid buying frozen food if you cannot store it straight away. The use of an insulated container is advisable. When you arrive home place the frozen food in the freezer immediately.
- Keep the time between buying chilled food and placing it in your refrigerator as short as possible.
- Do not push food together too much, try to allow air to circulate around each item.
- Do not store food uncovered.
- Ensure that food placed in the freezer is dated and labelled and used in date order to ensure that food is consumed at its best.
- Remove suspect food from your refrigerator and clean, refer to Maintenance and Cleaning.
- Lean food keeps better and longer than fatty food, salt reduces the storage time.
- Wrap the food in polythene or aluminium freezing bags or foil so that they adhere to the food and provide an airtight seal .
- Packaging which is swollen or has traces of refrozen water droplets on the pack could indicate that the product has not been kept at a suitable temperature and that it may have lost its original quality. Partially thawed food must not be refrozen, it must be consumed within 24 hours. Never exceed the storage times indicated by the manufacturer.



## Energy Saving Advice

- Do not install the appliance close to sources of heat, such as a boiler or radiator.
- Locate the appliance in a cool well ventilated room and make sure that the air openings of the appliance are not obstructed.
- Avoid unnecessary frosting in the cabinet by packing all foodstuffs into airtight packages before placing them in the freezer.
- Always leave warm food to cool down to room temperature before placing in the fridge.
- Food which is to be frozen (when cool) should be placed in the fridge before being transferred to the freezer.
- Thaw frozen food in the fridge. This will ensure safer defrosting of foods and reduce the work of the refrigeration unit.
- Try to avoid keeping the door open for long periods or opening the door too frequently as warm air will enter the cabinet and cause the compressor to switch on unnecessarily often.
- Ensure there are no obstructions preventing the door from closing properly.

## In the Event of a Power Failure

If there is a power failure during the storage of frozen foods, keep the door closed. If the temperature within your freezer should rise, do not refreeze the food without checking its condition. The following guidelines should assist you:

**Ice-cream:** Once thawed should be discarded.

**Fruits & Vegetables:** If soft should be cooked and used up.

**Breads & Cakes:** Can be refrozen without danger.

**Shellfish:** Should be refrigerated and used up quickly.

**Cooked Dishes:** i. e. casseroles should be refrigerated and used up.

**Large Pieces of Meat:** Can be refrozen providing there are still ice crystals remaining within them.

**Small Joints:** Should be cooked and can then be refrozen as cooked dishes.

**Chicken:** Should also be cooked and refrozen as a fresh dish.




# MAINTENANCE AND CLEANING

Before any maintenance or cleaning work is carried out, DISCONNECT the appliance from the ELECTRICITY supply.

## Internal cleaning

Clean the inside and accessories with warm water and bicarbonate of soda (5ml to 0.5 litre of water). Rinse and dry thoroughly.

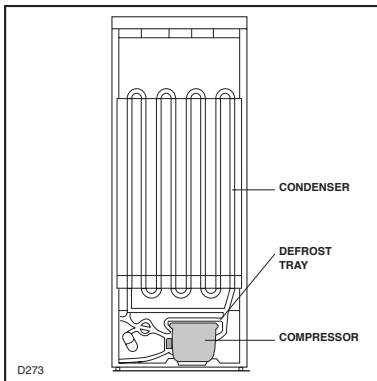
 **NEVER USE DETERGENTS, ABRASIVE POWDERS, HIGHLY PERFUMED CLEANING PRODUCTS OR WAX POLISHES, TO CLEAN THE INTERIOR AS THESE WILL DAMAGE THE SURFACE AND LEAVE A STRONG SMELL.**

## External cleaning

Wash the outer cabinet with warm soapy water. Do NOT use abrasive products.

An accumulation of dust will affect the performance of the appliance and cause excessive electricity consumption.

Once or twice a year dust the condenser (black grill) and the compressor at the back of the appliance, with a brush or vacuum cleaner, see figure.

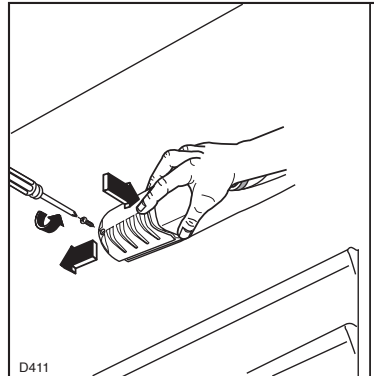


## When the appliance is not in use

When the appliance is not in use for long periods, disconnect from the electricity supply, empty all foods and clean the appliance, leaving the doors ajar to prevent unpleasant smells.

## Changing the light bulb

Should the interior light fail to work, first switch off the appliance and disconnect from the electricity supply, then replace the bulb as follows;



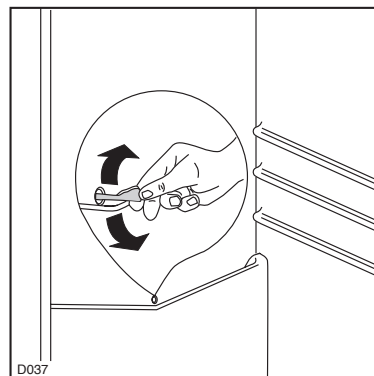
Unscrew the light cover and then pull it outward by pressing as shown in the figure. Unscrew the bulb and replace it with a new 15 watt bulb (available from your nearest Service Force Centre).

Replace the light cover by sliding it into its original position and replacing the screw.

## Defrosting

### Refrigerator

The refrigerator automatically defrosts every time the compressor stops. The water is discharged, via the pipe, into a tray located at the back of the appliance above the compressor, where it evaporates.



### Important

To avoid defrost water overflowing into the fridge, periodically clean the water discharge hole in the centre of the V shaped drip collector at the back of the refrigerator compartment behind the salad crisper. Use the defrost cleaner provided which you will find already inserted into the discharge hole.

Remember to wash the defrost cleaner in hot soapy water at regular intervals. Dry thoroughly before replacing.

## Freezer Compartment

When the frost has reached a thickness of up to 4mm it can be removed using a plastic scraper. During this operation it is not necessary to disconnect the appliance from the mains and remove the food. Never use metal tools for this operation.

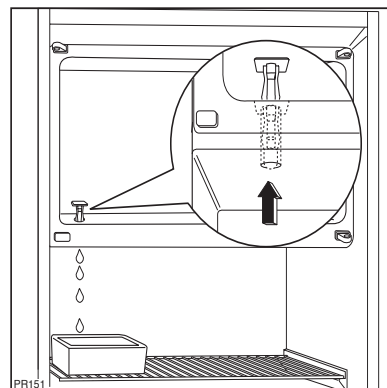
For complete defrosting (once or twice a year) proceed as follows:

- turn the thermostat dial to the «OFF» position (O) or disconnect the appliance from the mains.
- Remove any food from inside the freezer and fridge, wrap it in several sheets of newspaper and store in a cool, dry place.
- Leave the door open, place a basin on the top shelf of the refrigerator compartment, under the drain hole, lift the plug as shown in the figure.
- Clean and dry thoroughly.
- Reconnect the appliance to the mains or reset the thermostat to a functioning position.
- After letting the appliance run for a least half an hour, replace the previously removed food into the compartment.



### Important

When defrosting the freezer compartment, the fridge is also controlled by the thermostat and will not be operational during this period. A temperature rise of the frozen food packs, during defrosting, may shorten their safe storage life.



# SOMETHING NOT WORKING

If the appliance is not working correctly, please carry out the following checks before contacting your local Zanussi Service Force Centre

| Symptom  | Solution   |
|--|--|
| No power to the appliance                                    | Check there is power at the socket.  |
|  | Check there is not a power cut by checking the household lights.   |
|  | Check the fuse has not blown.  |
| The light does not come on                                   | Ensure that the bulb is correctly fitted.  |
|  | Replace the bulb if it has blown.  |
|  | Check the door light switch is not jammed.   |
| The temperature in the fridge or freezer section is too high | Check the thermostat control knob in the fridge is turned to the correct setting relative to ambient conditions. |
|  | Check the ambient temperature is within the appliance's operating limits of 10°C to 32°C.                        |
| The compressor runs continuously                             | Adjust the thermostat control knob to give correct temperature control. See "Setting the temperature".           |
|  | Check that the door is closed.   |
|  | Large quantities of food have recently been placed in the cabinet and/or door is frequently opened.              |
|  | Check that air ventilation is not obstructed.  |
| Excessive frost and ice has built up                         | Ensure the doors are not left open.  |
|  | Check that nothing is preventing the door from closing.  |
|  | Is the door gasket intact and clean.   |
|  | Has advised periodic defrosting been carried out.  |
| Noise  | Refer to normal operating sounds.  |
| Water under the salad bin                                    | Check the drain hole is not blocked. (see Maintenance and Cleaning).   |

If after the above checks your appliance still does not operate correctly, contact your local Zanussi Service Force Centre.

Please note that it will be necessary to provide proof of purchase for any in-guarantee service calls.

**In-guarantee customers should ensure that the above checks have been made, as the engineer will make a charge if the fault is not a mechanical or electrical breakdown.**

# SERVICE AND SPARE PARTS

In the event of your appliance requiring service, or if you wish to purchase spare parts, please contact your local Zanussi Service Force Centre by telephoning:-

**0870 5 929929**

Your telephone call will be automatically routed to the Service Force Centre covering your post code area.

The addresses are listed on the following pages.

Before calling out an engineer, please ensure you have read the details under the heading 'Something Not Working?'

When you contact the Service Force Centre you will need to give the following details:

1. Your name, address and post code
2. Your telephone number
3. Clear and concise details of the fault
4. The model and serial number of the appliance (found on the rating plate)
5. The purchase date

## CUSTOMER CARE DEPARTMENT

For general enquiries concerning your Zanussi appliance or for further information on Zanussi products, please contact our Customer Care Department by letter or telephone at the address below or visit our website at [www.zanussi.co.uk](http://www.zanussi.co.uk)

Customer Care Department

Zanussi

55-77 High Street

Slough

Berkshire

SL1 1DZ

Tel: 08705 727 727 (\*)

\* calls to this number may be recorded for training purposes.

# SERVICE FORCE

To contact your local Service Force Centre telephone **08705 929 929**

|   |   |   |  |
|---|---|---|--|
| <b>CHANNEL ISLANDS</b>  | <p><b>ISLE OF LEWIS</b><br/>ND Macleod<br/>16 James Street<br/>Stornoway<br/>Isle of Lewis PA87 2QW</p>               | <b>NORTH EAST</b>   |  |
| GUERNSEY<br>Guernsey Electricity<br>PO Box 4<br>Vale, Guernsey<br>Channel Islands GY1 3AD                                       | <p><b>KELSO</b><br/>2, 6 &amp; 8 Woodmarket<br/>Kelso<br/>Borders<br/>TD5 7AX</p>                                     | GATESHEAD<br>Unit 356a<br>Dukesway Court<br>Dukesway<br>Gateshead NE11 0BH  |  |
| JERSEY<br>Jersey Electricity Company<br>Haut De L'orme<br>Rue De Haut De L'orme<br>Trinity<br>Jersey<br>Channel Islands JE3 5FG |   | <p><b>ORKNEY</b><br/>7 King Street<br/>Kirkwall<br/>Orkney<br/>KW15 1JF</p>   | GRIMSBY<br>15 Hainton Avenue<br>Grimsby<br>N. E. Lincs<br>DN32 9AS |
| <b>SCOTLAND</b>   |   | <p><b>PERTH</b><br/>Scottish Hydro Electric<br/>Central Warehouse<br/>Inveralmond<br/>Perth PH1 3AF<br/>(OWN SALES)</p> | HULL<br>Unit 1<br>Boulevard Industrial Estate<br>Hull<br>HU3 4AY   |
| ABERDEEN<br>54 Claremont Street<br>Aberdeen AB10 6RA  | <p><b>SHETLAND</b><br/>3-4 Carlton Place<br/>Lerwick<br/>Shetland<br/>ZE1 0PW<br/>(OWN SALES)</p>                     | LEEDS<br>64-66 Cross Gates Road<br>Cross Gates<br>Leeds<br>LS15 7YS   |  |
| AUCHTERMUCHTY<br>33a Burnside<br>Auchtermuchty<br>Fife KY14 7AJ   | <p><b>SHETLAND</b><br/>Bolts Shetland<br/>26 North Road<br/>Lerwick<br/>Shetland ZE1 0PE<br/>(OWN SALES)</p>          | NEWTON AYCLIFFE<br>Unit 23<br>Northfield Way<br>Aycliffe Industrial Park<br>Newton Aycliffe<br>DL5 6EJ                  |  |
| BLANTYRE<br>Unit 5<br>Block 2<br>Auchenraith Ind. Estate<br>Rosendale Way<br>Blantyre G72 0NJ                                   | <p><b>WHALSAY</b><br/>Leask Electrical<br/>Harisdale<br/>Symbister, Whalsay<br/>Shetland ZE2 9AA<br/>(OWN SALES)</p>  | SHEFFIELD<br>Pennine House<br>Roman Ridge Road<br>Sheffield<br>S9 1GB   |  |
| DUMFRIES<br>93 Irish Street<br>Dumfries<br>DG1 2 PQ   | <b>NORTHERN IRELAND</b>   | <b>NORTH WEST</b>   |  |
| DUNOON<br>7 Hill Street<br>Dunoon<br>Argyll<br>PA23 7AL   | <p><b>BELFAST</b><br/>Owenmore House<br/>Kilwee Business Park<br/>Dunmurry<br/>Belfast<br/>BT17 0HD</p>               | BIRKENHEAD<br>1 Kelvin Park<br>Dock Road<br>Birkenhead<br>CH41 1LT  |  |
| EDINBURGH<br>Unit 12<br>Dumbryden Ind. Estate<br>2 Dumbryden Road<br>Edinburgh<br>EH14 2AB                                      | <b>WALES</b>  | CARLISLE<br>Unit 7<br>James Street Workshops<br>James Street<br>Carlisle<br>Cumbria CA2 5AH                             |  |
| GLASGOW<br>Unit 4<br>Wellington Road<br>Bishopriggs<br>Glasgow G64 2SA  | <p><b>CARDIFF</b><br/>Unit 4<br/>Guardian Industrial Estate<br/>Clydesmuir Road<br/>Cardiff<br/>CF2 2QS</p>           | ISLE OF MAN<br>South Quay Ind. Estate<br>Douglas<br>Isle of Man<br>IM1 5AT  |  |
| INVERNESS<br>Unit 3BI<br>Smithton Ind. Estate<br>Smithton<br>Inverness IV2 7WL  | <p><b>CLYWD</b><br/>Unit 6-7 Coed Parc<br/>Abergele Road<br/>Rhuddlan<br/>Clwyd<br/>LL18 5UG</p>                      | BOLTON<br>Unit B<br>Central Industrial Estate<br>St Marks Street<br>Bolton<br>BL3 6NR                                   |  |
| ISLE OF ARRAN<br>R Haggerty<br>Bruach<br>Blackwaterfoot<br>Isle of Arran  | <p><b>DYFED</b><br/>Unit 9<br/>St. Clears Business Park<br/>Tenby Road<br/>St. Clears<br/>Carmarthen<br/>SA33 4JW</p> | PRESTON<br>Unit 250<br>Dawson Place<br>Bamber Bridge<br>Preston<br>Lancashire PR5 8AL                                   |  |
| ISLE OF BARRA<br>J Zerfah<br>244 Bruernish<br>Isle of Barra<br>Western Islands HS9 5QY  | <p><b>OSWESTRY</b><br/>Plas Ffynnon Warehouse<br/>Middleton Road<br/>Oswestry<br/>SY11 2PP</p>                        | STOCKPORT<br>Unit 20 Haigh Park<br>Haigh Avenue<br>Stockport<br>SK4 1QR   |  |
| ISLES OF BUTE<br>Walker Engineering<br>Glenmhor<br>Upper Serpentine Road<br>Rothesay<br>Isle of Bute PA20 9EH                   |   |   |  |

# SERVICE FORCE

To contact your local Service Force Centre telephone **08705 929 929**

| MIDLANDS                |  | LONDON & EAST ANGLIA |   | SOUTH EAST        |  |
|-------------------------|--|----------------------|---|-------------------|--|
| BIRMINGHAM              | 66 Birch Road East<br>Wyrley Trading Estate<br>Witton<br>Birmingham<br>B6 7DB                | BECKENHAM            | 11a Gardner Ind. Estate<br>Kent House Lane<br>Beckenham<br>Kent BR3 1QZ           | ASHFORD           | Unit 2<br>Bridge Road Business Centre<br>Bridge Road<br>Ashford<br>Kent TN23 1BB   |
| BOURNE                  | Pinfold Road<br>Bourne<br>PE10 9HT   | CHELMSFORD           | Hanbury Road<br>Widford Ind. Estate<br>Chelmsford<br>Essex<br>CM12 3AE            | FLEET             | Unit 1<br>Redfields Ind. Estate<br>Church Crookham<br>Fleet<br>Hampshire GU13 0RD  |
| BRIDGNORTH              | 68 St. Mary's Street<br>Bridgnorth<br>Shropshire<br>WV16 4DR                                 | COLINDALE            | Unit 14<br>Capitol Park<br>Capitol Way<br>Colindale<br>London NW9 0EQ             | HAYWARDS<br>HEATH | 21-25 Bridge Road<br>Haywards Heath<br>Sussex RH16 1UA                             |
| GLOUCESTER              | 101 Rycroft Street<br>Gloucester<br>GL1 4NB  | ELTHAM               | 194 Court Road<br>Mottingham<br>Eltham<br>London SE9 4EW                          | TONBRIDGE         | Unit 30<br>Deacon Trading Estate<br>Morley Road<br>Tonbridge<br>TN9 1RA            |
| HEREFORD                | Units 3 & 4<br>Bank Buildings<br>Cattle market<br>Hereford<br>HE4 9HX                        | ENFIELD              | 284 Alma Road<br>Enfield<br>London<br>EN3 7BB                                     | <b>SOUTH WEST</b> |  |
| HIGHAM FERRERS          | 30 High Street<br>Higham Ferrers<br>Northants<br>NN10 8PL                                    | GRAVESEND            | Unit B4<br>Imperial Business Estate<br>West Mill<br>Gravesend<br>Kent<br>DA11 0DL | BARNSTAPLE        | Main Road<br>Fremington<br>Barnstaple<br>North Devon EX31 2NT                      |
| ILKESTON                | Unit 2<br>Furnace Road<br>Ilkeston DE7 5EP   | IPSWICH              | Unit 6C<br>Elton Park Business Centre<br>Hadleigh Road<br>Ipswich<br>IP2 0DD      | BOURNEMOUTH       | 63-65 Curzon Road<br>Bournemouth<br>Dorset<br>BH1 4PW                              |
| LEICESTER               | Unit 7<br>Oaks Industrial Estate<br>Coventry Road<br>Narborough<br>Leicestershire<br>LE9 5GF | LETCHWORTH           | 16-17 Woodside Ind. Park<br>Works Road<br>Letchworth<br>Herts<br>SG6 1LA          | BRIDGEWATER       | 6 Herswell Business Park<br>Salmon Parade<br>Bridgwater<br>Somerset TA6 5PY        |
| LINCOLN                 | Unit 8<br>Clifton Street<br>Stone Field Park<br>Lincoln<br>LN5 8LQ                           | LONDON               | 2 - 4 Royal Lane<br>Yiewsley<br>West Drayton<br>Middlesex<br>UB7 8DL              | BRISTOL           | 11 Eldon Way<br>Eldonwall Trading Estate<br>Bristol<br>BS4 3QQ                     |
| NEWCASTLE<br>UNDER LYME | 18-21 Croft Road<br>Brampton Ind. Estate<br>Newcastle under Lyme<br>Staffordshire<br>ST5 0TW | MAIDENHEAD           | Reform Road<br>Maidenhead<br>Berkshire<br>SL6 8BY                                 | EMSWORTH          | 266 Main Road<br>Southbourne<br>Emsworth<br>PO10 8JL                               |
| REDDITCH                | 13 Thornhill Road<br>North Moons Moat<br>Redditch<br>Worcestershire<br>B98 9ND               | MOLESEY              | 10 Island Farm Avenue<br>West Molesey<br>Surrey<br>KT8 2UZ                        | ISLE OF WIGHT     | Unit 8<br>Enterprise Court<br>Ryde Business Park<br>Ryde<br>Isle of Wight PO33 1DB |
| TAMWORTH                | Unit 3<br>Sterling Park<br>Claymore<br>Tamworth<br>B77 5DQ                                   | NEWBURY              | 9 Pipers Court<br>Berkshire Drive<br>Thatcham<br>Berkshire<br>RG19 4ER            | NEWTON ABBOT      | Unit 2<br>Zealley Ind. Estate<br>Kingsteignton<br>Newton Abbot<br>TQ12 3TD         |
| WORCESTER               | Units 1 & 2<br>Northbrooks Close<br>Gregorys Mill Ind. Estate<br>Worcester<br>WR3 8BP        | NORWICH              | 2b Trafalgar Street<br>Norwich<br>NR1 3HN   | REDRUTH           | Unit 7D<br>Pool Ind. Estate<br>Druids Road<br>Redruth<br>Cornwall TR15 3RH         |
|                         |  | SUNBURY              | Unit 1a<br>The Summit<br>Hanworth Road<br>Sunbury on Thames<br>TW16 5DB           |                   |  |

# GUARANTEE CONDITIONS

## Standard guarantee conditions

We, Zanussi, undertake that if within 12 months of the date of the purchase this Zanussi appliance or any part thereof is proved to be defective by reason only of faulty workmanship or materials, we will, at our option repair or replace the same FREE OF CHARGE for labour, materials or carriage on condition that:

The appliance has been correctly installed and used only on the electricity supply stated on the rating plate.

The appliance has been used for normal domestic purposes only, and in accordance with the manufacturer's instructions.

The appliance has not been serviced, maintained, repaired, taken apart or tampered with by any person not authorised by us.

All service work under this guarantee must be undertaken by a Zanussi Service Force Centre. Any appliance or defective part replaced shall become the Company's property.

This guarantee is in addition to your statutory and other legal rights.

Home visits are made between **8.30am and 5.30pm** Monday to Friday. Visits may be available outside these hours in which case a **premium** will be charged.

## Exclusions

### This guarantee does not cover:

Damage or calls resulting from transportation, improper use or neglect, the replacement of any light bulbs or removable parts of glass or plastic.

Costs incurred for calls to put right an appliance which is improperly installed or calls to appliances outside the European Community (EC) or European Free Trade Area.

Appliances found to be in use within a commercial environment, plus those which are subject to rental agreements.

Products of Zanussi manufacture which are not marketed by Zanussi.

## European Guarantee

If you should move to another country within Europe then your guarantee moves with you to your new home subject to the following qualifications:

The guarantee starts from the date you first purchased your product.

The guarantee is for the same period and to the same extent for labour and parts as exists in the new country of use for this brand or range of products.

This guarantee relates to you and cannot be transferred to another user.

Your new home is within the European Community (EC) or European Free Trade Area.

The product is installed and used in accordance with our instructions and is only used domestically, i.e. a normal household.

The product is installed taking into account regulations in your new country.

Before you move please contact your nearest Customer Care centre, listed below, to give them details of your new home. They will then ensure that the local Service Organisation is aware of your move and able to look after you and your appliances.

|         |           |                      |
|---------|-----------|----------------------|
| France  | Senlis    | +33 (0)3 44 62 29 99 |
| Germany | Nürnberg  | +49 (0)911 323 2600  |
| Italy   | Pordenone | +39 (0)1678 47053    |
| Sweden  | Stockholm | +46 (0)8 738 79 50   |
| UK      | Slough    | +44 (0)1753 219 897  |

# TECHNICAL SPECIFICATIONS

---

## DIMENSIONS

|        |     |    |
|--------|-----|----|
| Height | 140 | cm |
| Width  | 60  | cm |
| Depth  | 60  | cm |

---

|                                    |                   |
|------------------------------------|-------------------|
| POWER SUPPLY VOLTAGE AND FREQUENCY | 220-240 V / 50 Hz |
|------------------------------------|-------------------|

|                      |      |
|----------------------|------|
| TOTAL POWER ABSORBED | 90 W |
|----------------------|------|

|                                   |         |
|-----------------------------------|---------|
| AVERAGE DAILY UNITS ELECTRICITY * | 0.6 kWh |
|-----------------------------------|---------|

---

## GROSS CAPACITY

|         |       |
|---------|-------|
| Fridge  | 246 l |
| Freezer | 19 l  |

## NET CAPACITY

|         |       |
|---------|-------|
| Fridge  | 236 l |
| Freezer | 19 l  |

---

\* This figure is based on standard test results in accordance with European Standard EN 153.  
Actual consumption will depend on how the appliance is used and where it is located.



# INSTALLATION

## Warning

IF YOU ARE DISCARDING AN OLD APPLIANCE THAT HAS A LOCK OR CATCH ON THE DOOR, YOU MUST ENSURE THAT IT IS MADE UNUSABLE TO PREVENT YOUNG CHILDREN BEING TRAPPED INSIDE.

Depending upon the position which you choose for your appliance, you may wish to reverse the way in which the door opens. To do this, refer to instructions on "Door reversal directions" paragraph.

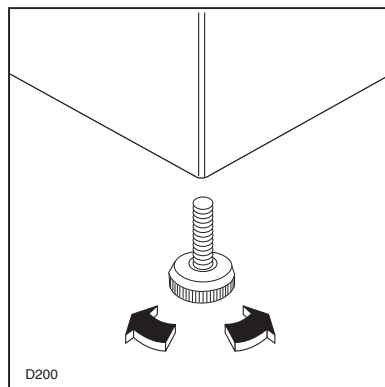
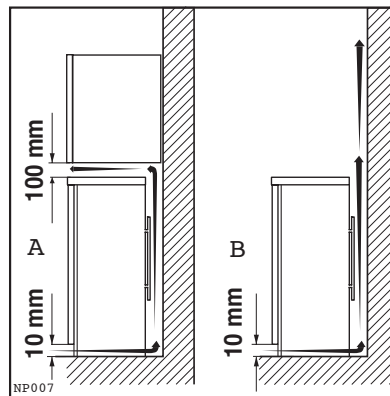
## Positioning

This appliance is designed to operate in ambient temperatures between 10°C (50°F) and 32°C (90°F). It should be located in a dry atmosphere, out of direct sunlight and away from extreme temperatures e.g. not next to a boiler or radiator, or in a very cold room e.g. an outhouse, where the temperatures may fall below 10°C (50°F). If these temperatures are exceeded i.e. colder or warmer, then the appliance may not operate correctly.

You should also ensure that air can circulate freely around the back and the top of the cabinet. There must also be at least 100 mm (4") distance between the top of the cabinet and any overhanging kitchen furniture (A). Ideally, the appliance should not be positioned beneath overhanging furniture (B).

There should also be a gap of 25 mm either side of the appliance. Do not obstruct the space underneath. The back of the cabinet may be placed close to the wall but must not touch it. DO NOT install in places with restricted ventilation.

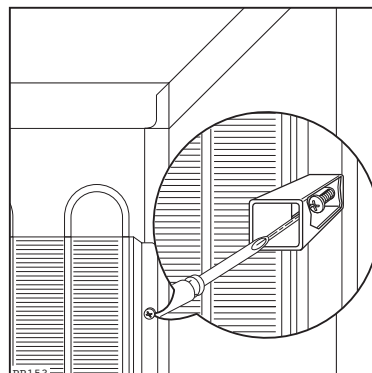
Adjust the level of the appliance by screwing out the adjustable foot, or feet, at the bottom of the cabinet using your fingers (see figure).



## Rear spacers

In the bag with the documentation, there are two spacers which must be fitted as shown in the figure.

Slacken the screws and insert the spacer under the screw head, then re-tighten the screws.



## **Electrical connections**

Any electrical work required to install this appliance should be carried out by a qualified electrician or competent person.

**WARNING: THIS APPLIANCE MUST BE EARTHED.**

**The manufacturer declines any liability should this safety measure not be observed.**

If the plug that is fitted to your appliance is not suitable for your socket outlet, it must be cut off and the appropriate plug fitted.

Remove the fuse from the cut off plug.

The cut off plug should then be disposed of to prevent the hazard of shocks in case it should be plugged into a 13amp socket in another part of your home.

## **Important**

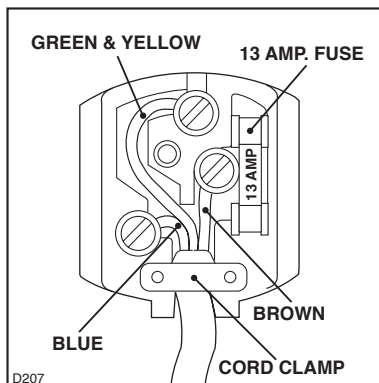
The wires in the mains lead are coloured in accordance with the following code:


**Green and Yellow** - Earth

**Blue** - Neutral

**Brown** - Live

If you fit your own plug, the colours of the wires in the mains lead of your appliance may not correspond with the markings identifying the terminals in your plug, proceed as follows:



Connect the Green and Yellow (earth) wire to the terminal in the plug which is marked with the letter «E» or the earth symbol  or coloured green and yellow.

Connect the blue (neutral) wire to the terminal in the plug which is marked with the letter «N» or coloured black.


Connect the brown (live) wire to the terminal in the plug which is marked with the letter «L» or coloured red.

The plug moulded onto the lead incorporates a fuse. For replacement, use a 13amp BSI362 fuse. Only ASTA or BSI approved fuses should be used.

The plug must not be used if the fuse cover/carrier is lost. The cover/carrier is indicated by the coloured insert at the base of the plug.

A replacement cover/carrier must be obtained from your local Zanussi Service Force Centre.

**This appliance complies with the E.E.C. Directive No. 87/308 of 2.6.87 relative to radio interference suppression.**

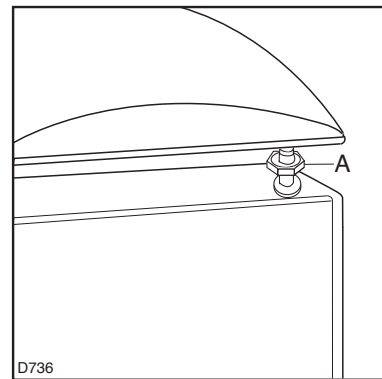
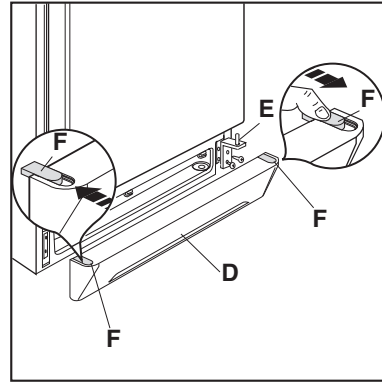
 This appliance complies with the following E.E.C. Directives:

- **73/23 EEC of 19.2.73** (Low Voltage Directive) and subsequent modifications;
- **89/336 EEC of 3.5.89** (Electromagnetic Compatibility Directive) and subsequent modifications.

**Please ensure that when the appliance is installed it is easily accessible for the engineer in the event of a breakdown.**

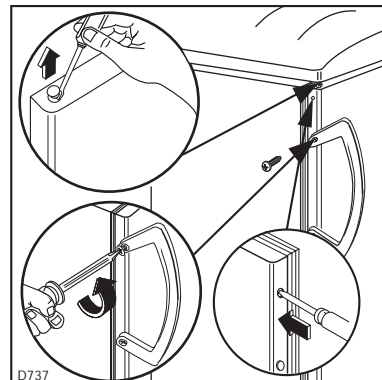
## Door reversal

1. Unplug the appliance from the power supply before carrying out the below-mentioned operations.
2. Remove the ventilation grill (D).
3. Unscrew the bottom hinge (E).
4. Remove the door by releasing it from the top hinge pin (A).
5. Remove the pin then mount it on the opposite side, after having removed the plugs which must be refitted on the other side.
6. Refit the door.
7. Screw down the bottom hinge (E) on the opposite side by using the screws previously removed.
8. Remove the plug (F) from the ventilation grill (D) and replace it on the opposite side.
9. Re-assemble the ventilation grill (D).
10. Unscrew the handle. Refit it on the opposite side.



## Important

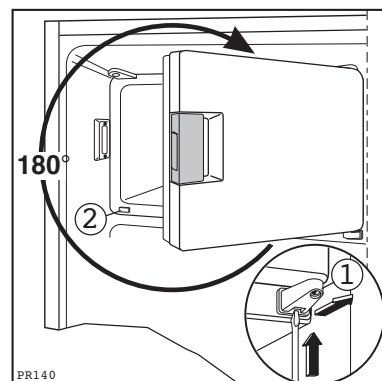
After completion of the door reversing operation, check that the door gasket adheres to the cabinet. If the ambient temperature is cold (i.e. in Winter), the gasket may not fit perfectly to the cabinet. In that case, wait for the natural fitting of the gasket or accelerate this process by heating up the part involved with a normal hairdrier on a low setting.



## Inner door reversal

Using a screwdriver release bracket (1) by pressing on the internal spring and withdraw it from its seat together with the door;

1. remove plug (2) and fit it in the hole left open on the opposite side;
2. turn the door through 180°, remove the bracket (1) and refit it on the opposite side.
3. Refit the door and insert the top pin and bottom bracket (1), pushing it into place.
4. To ensure correct storage of food, the door is fitted with a simple spring device which holds it in the open position until it is properly closed.



© Electrolux Household Appliances Limited 2001

 **From the Electrolux Group. The world's No. 1 choice.**

*The Electrolux Group is the world's largest producer of powered appliances for kitchen, cleaning and outdoor use. More than 55 million Electrolux Group products (such as refrigerators, cookers, washing machines, vacuum cleaners, chain saws and lawn mowers) are sold each year to a value of approx. USD 14 billion in more than 150 countries around the world.*

## Free Manuals Download Website

<http://myh66.com>

<http://usermanuals.us>

<http://www.somanuals.com>

<http://www.4manuals.cc>

<http://www.manual-lib.com>

<http://www.404manual.com>

<http://www.luxmanual.com>

<http://aubethermostatmanual.com>

Golf course search by state

<http://golfingnear.com>

Email search by domain

<http://emailbydomain.com>

Auto manuals search

<http://auto.somanuals.com>

TV manuals search

<http://tv.somanuals.com>