

EN

User manual

Wine refrigerator

USER MANUAL

la vita è bella

ZANUSSI


ITALIAN SINCE 1916

ZRW106N

Welcome to the world of Electrolux


You've chosen a first class product from Electrolux, which hopefully will provide you with lots of pleasure in the future. Electrolux ambition is to offer a wide variety of quality products that would make your life even more comfortable. You can look at some examples on the cover in this manual. But now it's time to study this manual and start using and enjoying the benefits from your new machine. We promise that it'll make your life a little easier. Good luck!

The following symbols are used in this manual:

 Important information concerning your personal safety and information on how to avoid damaging the appliance.

 General information and tips

 Environmental information

The symbol  on the product or on its packaging indicates that this product may not be treated as household waste. Instead it shall be handed over to the applicable collection point for the recycling of electrical and electronic equipment. By ensuring this product is disposed of correctly, you will help prevent potential negative consequences for the environment and human health, which could otherwise be caused by inappropriate waste handling of this product. For more detailed information about recycling of this product, please contact your local city office, your household waste disposal service or the shop where you purchased the product.

Contents

Safety information _____	5	Customer service and spare parts _____	9
Control panel _____	6	Electrical connection _____	9
Operation _____	6	Installation _____	10
Maintenance _____	8	What to do if... _____	14
Technical information _____	9		

Subject to change without notice

Safety information

It is most important that this instruction book should be retained with the appliance for future reference. Should the appliance be sold or transferred to another owner, or should you move house and leave the appliance, always ensure that the book is supplied with the appliance in order that the new owner can be acquainted with the functioning of the appliance and the relevant warnings.

If this appliance featuring magnetic door seals is to replace an older appliance having a spring lock (latch) on the door or lid, be sure to make that spring lock unusable before you discard the old appliance. This will prevent it from becoming a death-trap for a child.

These warning are provided in the interest of safety. You must read them carefully before installing or using the appliance.

General Safety

THE APPLIANCE IS DESIGNED EXCLUSIVELY FOR DOMESTIC USE. THE APPLIANCE IS INTENDED TO BE USED EXCLUSIVELY FOR THE STORAGE OF THE WINE AS EXPLAINED IN THIS INSTRUCTION BOOKLET.

WARNING

**Risk of injury due to broken glass!
In case of transport at an altitude of over 1100 m the glass panes of the door may break. The door may break. The fragments have sharp edges and may cause serious injury. Take appropriate protective action.**

- This appliance is not intended for use by persons (including children) with reduced physical, sensory

or mental capabilities, or lack of experience and knowledge, unless they have been given supervision or instruction concerning use of the appliance by a person responsible for their safety.

Children should be supervised to ensure that they do not play with the appliance.

- It is dangerous to alter the specifications or modify this product in any way.
- Before any cleaning or maintenance work is carried out, be sure to switch off and unplug the appliance.
- This appliance is heavy. Care should be taken when moving it.
- **Take utmost care when handling your appliance so as not to cause any damages to the cooling unit with consequent possible fluid leakages.**
- **The appliance must not be located close to radiators or gas cookers.**
- **Avoid prolonged exposure of the appliance to direct sunlight.**
- **There must be adequate ventilation round the the appliance and any damage to the refrigerant circuit must be avoided.**
- **Do not use other electrical appliances (such as ice cream makers) inside of refrigerant appliance.**

Service/Repair

- Any electrical work required to install this appliance should be carried out by a qualified electrician or competent person.
- This product should be serviced by an authorized Service Center, and only genuine spare parts should be used.

- Under no circumstances should you attempt to repair the appliance yourself. Repairs carried out by inexperienced persons may cause injury or more serious malfunctioning. Refer to your local Service Centre, and always insist on genuine spare parts.
- This appliance contains hydrocarbons in its cooling unit; maintenance and recharging must therefore only be carried out by authorized technicians.

Use

- The domestic wine refrigerator is designed to be used specifically for the storage of potable wine only.
- Best performance is obtained with ambient temperature as follows:

Climate class	Ambient temperature
SN	+10 °C to +32 °C
N	+16 °C to +32 °C
ST	+16 °C to +38 °C
T	+16 °C to +43 °C

The class of your appliance is shown on its rating plate.

- **Warning:** when the ambient temperature is not included within the range indicated for the class of this appliance, the following instructions must be observed: when the ambient temperature rises up the maximum level, the storage temperature in the refrigerator cannot be guaranteed, it is advisable to use the food stored as soon as possible.
- Do not put hot pot on the plastic parts of the appliance.
- Do not store flammable gas and liquid in the appliance, because they may explode.
- Do not place wine directly against the real wall of compartment.
- The appliance's manufactures storage recommendations should be strictly adhered to.

Refer to relevant instructions.


- The inner lining of the appliance consists channels through which the refrigerant passes. If these should be punctured this would damage the appliance beyond repair and cause food loss. **DO NOT USE SHARP INSTRUMENTS** to scrape of frost or ice. Frost may be removed by using a scraper. Under no circumstances should be solid ice be forced off the liner. Solid ice should be allowed to thaw when defrosting the appliance.

Installation

Important: For electrical connection carefully follow the instructions given in specific paragraphs.

- Unpack the appliance and check if there are damages on it. Do not connect the appliance if it is damaged. Report possible damages immediately to the place you bought it. In that case retain packing.
- During normal operation, the compressor and/ or condenser at the back of the appliance heat up considerably. For safety reasons, minimum ventilation must be as shown in the instructions. **Attention: keep ventilation openings clear of obstruction.**
- Care must be taken to ensure that the appliance does not stand on the electrical supply cable. **Important:** if the supply cord is damaged, it must be replaced by a special cord or assembly available from the manufacture or its service agent.
- If the appliance is transported horizontally, it is possible that the oil contained in the compressor flows in the refrigerant circuit. It is advisable to wait at least two hours before connecting the appliance to allow the oil to flow back in the compressor.
- There are working parts in this product which heat up. Always ensure that there is adequate ventilation as a failure to do this will result in component failure and possible loss. See installation instructions.
- Parts which heat up should not be exposed. Wherever possible the back of the product should be against a wall.

Environment Protection

This appliance does not contain gasses which could damage the ozone layer, in either its refrigerant circuit or insulation materials. The appliance shall not be discarded together with the urban refuse and rubbish. The insulation foam contains flammable gasses: the appliance shall be disposed according to the applicable regulations to obtain from your local authorities. Avoid damage to the cooling unit, especially at the rear near the heat exchanger. The materials used on this appliance marked by the symbol  are recyclable.

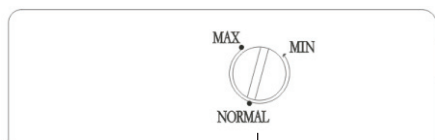
Use

Cleaning the interior

Before using the appliance for the first time, wash the interior and all internal accessories with lukewarm water and some neutral soap so as to remove the typical smell of a brand-new product, and then dry naturally and thoroughly.

 **Do not use detergents or abrasive powders, as these will damage the finish.**

Control Panel



A - Temperature regulator

Operation

After insert the main plug in the socket, the wine refrigerator will run immediately.

Temperature regulation

The temperature regulator is preset to "NORMAL" position.

Setting "MIN" means:

Highest temperature, warmest setting.

Setting "MAX" means:

Lowest temperature, coldest setting.

Normally we advise you select "NORMAL", if you want the temperature warmer or colder, please rotate the knob to lower or higher setting accordingly.

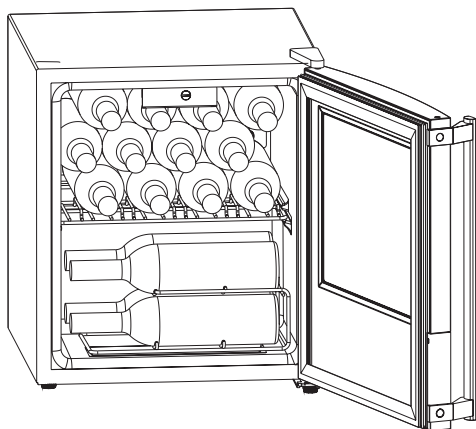
The correct position must in any case be determined bearing in the mind that the inside temperature depends on these factors:

- Room temperature
- How often the door is opened
- The quantity of bottles stored
- The position of the appliance

Use

Wine arrangement

Please place the wine bottles as the below picture.



Keep the wine in the dark. The door is in anti-UV darkened triple glass to protect the wine from the light in case the refrigerator is located in well-lit place.

Lay the bottles down in such a way that the corks do not dry.

Handle the bottles with care, to avoid agitating the wine.

Follow the recommendations and advice received at the time of purchase or given in the technical documentation regarding the quality, duration and optimum storage temperature of the wine.

Storage advice

The storage time for wine depends on ageing, the type of grapes, alcoholic content and level of fructose and tannin contained in it. At the time of purchase, check if the wine is already aged or if it will improve over time.

Recommended temperature regulator setting:

- for champagne and sparkling wines, set the regulator near "MAX"
- for white wines, set the regulator near "NORMAL"
- for rose and light red wines, set the regulator near the middle of range from "NORMAL" TO "MIN"
- aged red wines, set the regulator near "MIN"

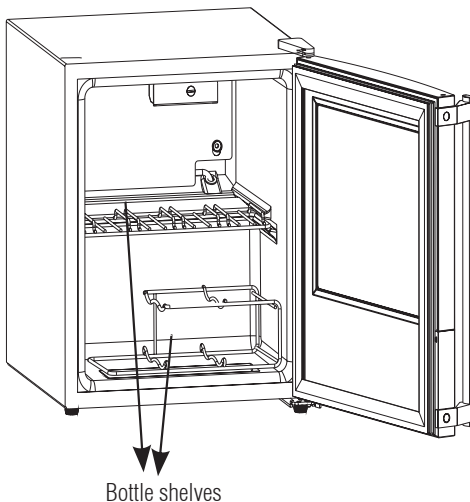
When placing various bottles on top of each other, make sure they do not touch the refrigerator cooling plate.

Switching off

Unplug the refrigerator to switch off it.

Inside accessories

Shelves



The shelves can be removed for cleaning.

Maintenance

Important

Unplug the appliance before carrying out any operation.

Important

This appliance contains hydrocarbons in the refrigerant circuit; therefore maintenance and recharging must only be carried out by personnel authorized by the manufacturer.

Defrosting

Defrosting in the refrigerator compartment occurs automatically. The defrost water is run into a bowl located at the back of the appliance, above the compressor, where it evaporates. Make sure to periodically clean the defrost water drain hole, using the special "cleaner".

Cleaning

Cleaning the inside, removing the shelves, with lukewarm water and a mild detergent.

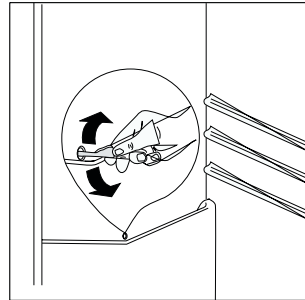
Periodically clean the defrost water drain hole, using the special "cleaner".

Periodically clean motor compressor with a brush or vacuum cleaner. This operation will improve operation, with consequent energy saving. During periods when the appliance is not being used, take the following precautions:

- unplug the appliance;
- defrost and clean the inside and all the accessories;
- leave the door ajar to prevent the formation of unpleasant odours.

Important

Never use metal objects to clean the appliance.



Technical information

Net Fridge Capacity lt.	46
Energy Consumption kWh/24h	0.268
Energy Consumption kWh/year	98
Dimensions mm	
High	511
Width	440
Depth	511

The technical information are situated in the rating plate on the internal left side of the appliance.

Customer service and spare parts

If the appliance is not functioning properly, check that:

- the plug is firmly in the wall socket and the mains power switch is on;
- there is an electricity supply (find out by plugging in another appliance);
- If there are water drops on the bottom of the cabinet, check that the defrost water drain opening is not obstructed (see "Defrosting" section).
- If your appliance is still not working properly after making the above checks, contact the nearest service centre.

- If the power cable is damaged, it must be replaced with a special cable or assembly available from the manufacture or the technical assistance service.

To obtain fast service, it is essential that when you apply for it you specify the model and serial number of your appliance which can be found on the guarantee certificate or on the rating plate located inside the appliance, on the bottom left-hand side.

Electrical connection

Before plugging in, ensure that the voltage and frequency shown on the serial number plate correspond to your domestic power supply.


Voltage can vary by $\pm 6\%$ of the rated voltage. For operation with different voltages, a suitably sized auto-transformer must be used.

The appliance must be earthed

The power supply cable plug is provided with a contact for this purpose. If the domestic power supply socket is

not earthed, connect the appliance to a separate earth in compliance with current regulations, consulting a specialist technician.

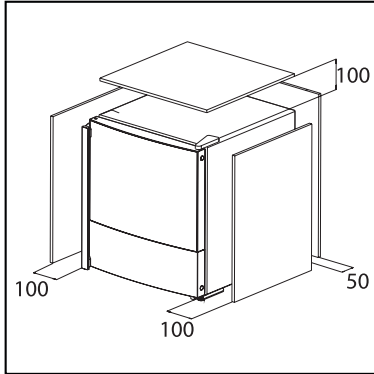
The Manufacturer declines all responsibility if the above safety precautions are not observed.

 This appliance complies with the E.E.C. Directives.

Installation

Important

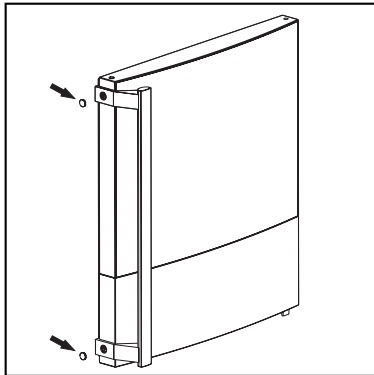
In order to reserve the required space around the refrigerator for ventilation, please keep 100mm distance between 2 sides and top of the wine refrigerator and the wall and 50mm distance between rear of refrigerator and the wall.



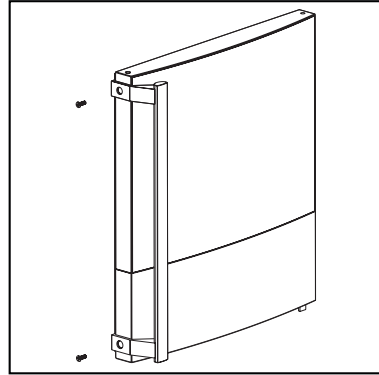
Door reversibility

Before carrying out any operations, remove the plug from the power socket. To change the opening direction for the door, proceed as follows:

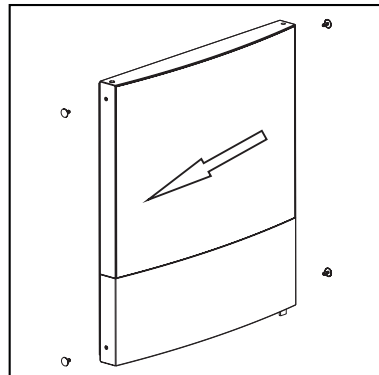
1. Remove the two screw covers.



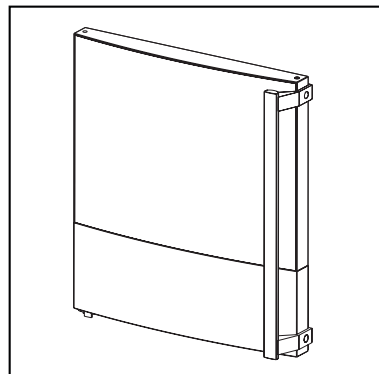
2. Remove the two screws and take the handle off. Put the handle at a safe place.



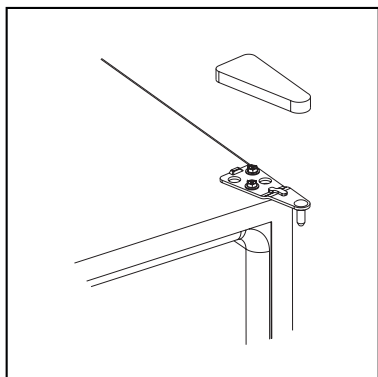
3. Move the hole covers from the left side to the right side.



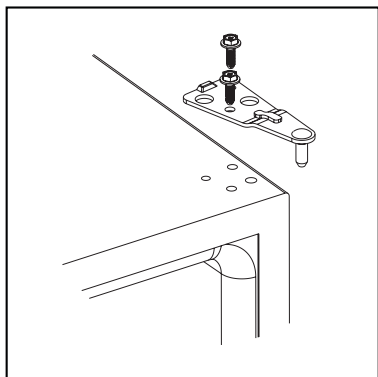
4. Fix the handle on the left side, insert the plastic covers that can be found in the bag for use instruction.



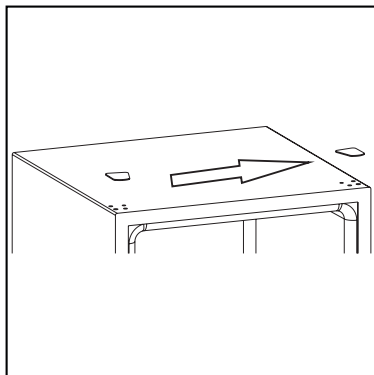
5. Lay down the appliance back side down and remove the upper hinge cap.



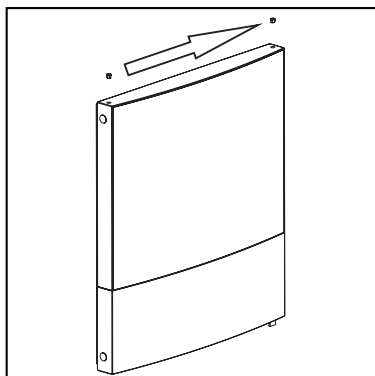
6. Unscrew the upper hinge and remove it, then lift the door and put it on a padded surface to prevent it be scratched. Put the upper hinge and the screws in a safe place.



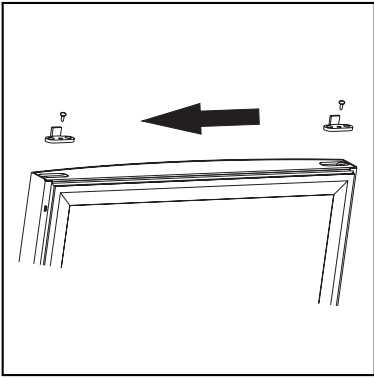
7. Pull out the cover-slip using a flat object, move it to right side and insert into the uncovered holes.



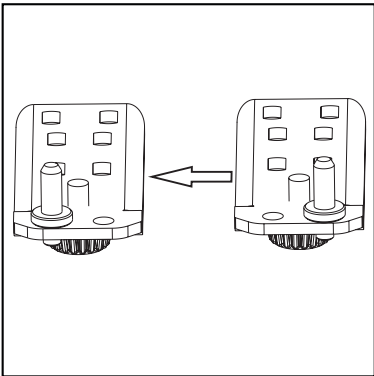
8. Move small cap to other side.



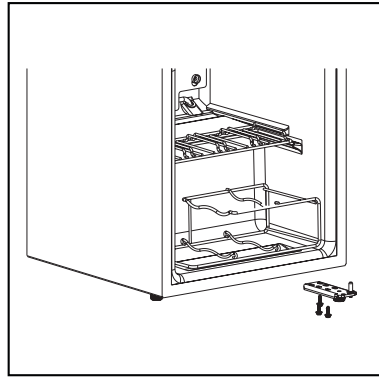
9. Rotate the door, then unscrew the screw and transfer the stopper to other side. Then securely fix the stopper with screw.



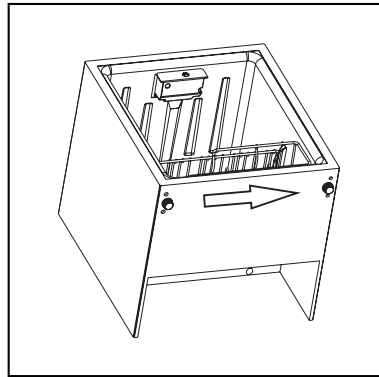
10. Unscrew and remove the lower hinge pin and install it to other hole.



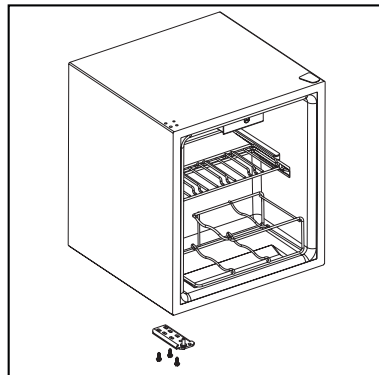
11. Unscrew the screws that fix the lower hinge and take the lower hinge with foot off.



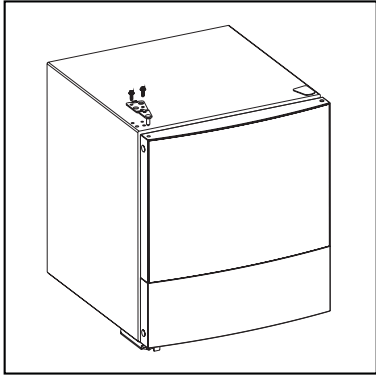
12. Move the foot from left to right and fix it in right hole.



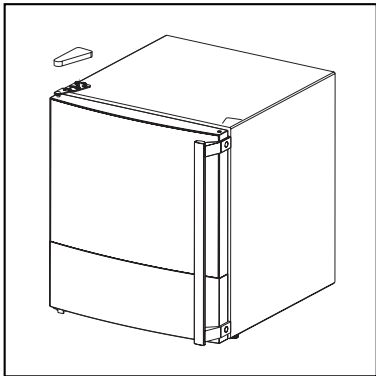
13. Fix the lower hinge with screws on the other side.



14. Put the door on the lower hinge. Keep the door closing the cabinet and put the upper hinge into the hinge hole. The right and left side of the door must align with the sides of the cabinet. Then securely fix the upper hinge.



15. Put the upper hinge cap.



Levelling

The appliance should be level in order to eliminate vibration. There are 4 height adjustable feet at bottom of the appliance, 2 feet in the front and 2 feet in the back. To make the appliance level, it should be upright and all feet should be firmly contacted with the floor.

Warning: Reposition, level the appliance, wait for at least four hours and then connect it to the power socket. In case you do not want to carry out the above mentioned operations, contact the nearest After Sales Service Force. The After Sales Service specialist will carry out the reversibility of the doors at your cost.

Warning: After having reversed the opening direction of the door check that all the screws are properly tightened and that the magnetic seal adheres to the cabinet. If the ambient temperature is cold (i.e. in Winter), the gasket may not fit perfectly to the cabinet. In that case, wait for the natural fitting of the gasket. Lay down the appliance back side down.

What to do if...

⚠ Warning: Before troubleshooting, disconnect the power supply. Only a qualified electrician of competent person must do the troubleshooting that is not in this manual.

⚠ Important: There are some sounds during normal use (compressor, refrigerant circulation).

Malfunction	Possible cause	Remedy
The wine is too warm.	Temperature is not properly adjusted.	Please look in the "Use" section.
	Door was open for an extended period.	Open the door only as long as necessary.
	The appliance is near a heatsource.	Please look in the "Installation" section.
Heavy build up of the frost, possibly also on the door seal.	Door seal is not air tight (possibly after changing over the hinges).	Carefully warm the leaking sections of the door seal with a hair dryer (not hotter than approx. 50 °C). At the same time shape the warmed door seal by hand such that it sits correctly.
Unusual noises.	Appliance is not level.	Readjust the feet.
	The appliance is touching the wall or other objects.	Move the appliance slightly.
	A component, e.g. a pipe, on rear of the appliance is touching another part of the appliance or the wall.	If necessary, carefully bend the component out of the way.
The compressor does not start immediately after changing the temperature setting.	This is normal, no error has occurred.	The compressor starts after a period of time.
Water on the floor.	Water drain hole is blocked.	See the "Cleaning" section.



www.zanussi.com/shop



Free Manuals Download Website

<http://myh66.com>

<http://usermanuals.us>

<http://www.somanuals.com>

<http://www.4manuals.cc>

<http://www.manual-lib.com>

<http://www.404manual.com>

<http://www.luxmanual.com>

<http://aubethermostatmanual.com>

Golf course search by state

<http://golfingnear.com>

Email search by domain

<http://emailbydomain.com>

Auto manuals search

<http://auto.somanuals.com>

TV manuals search

<http://tv.somanuals.com>