

ZANUSSI

FRIDGE-FREEZER

ZT 45/30



INSTRUCTION BOOKLET

CONTENTS

Instructions for the User

Important Safety Instructions	3
Description of the Appliance	4
Operation	5
Setting the temperature	5
The refrigerator compartment	6
Freshness control	6
The freezer compartment	7
Freezing fresh food	7
Some useful hints for freezing	8
Frozen food storage	8
Thawing	8
Making ice cubes	8
Normal operating sounds	8
Health and safety guidelines	9
Defrosting	10
Maintenance and Cleaning	11
Internal cleaning	11
External cleaning	11
When the appliance is not use	11
Changing the light bulb	11
Something not Working?	12
Service and Spare Parts	13
Customer Care Department	13
Guarantee Conditions	14

Instructions for the Installer

Technical Specifications	15
Installation	15
Positioning	15
Before using	16
Fitting the appliance under the kitchen work surface	16
Electrical Connection	17

IMPORTANT SAFETY INSTRUCTIONS

These warnings are provided in the interests of your safety. Ensure that you understand them all before installing or using this appliance. Your safety is of paramount importance. If you are unsure about any of the meanings of these warnings contact the Customer Care Department.

Prior to Installation

- Check the appliance for transport damage. Under no circumstance should a damaged appliance be installed. In the event of damage please contact your retailer.

Installation

- This appliance is heavy. Care should be taken when moving it.
- It is dangerous to alter the specifications or attempt to modify this product in any way.
- Ensure that the appliance does not stand on the electrical supply cable.
Important: if the supply cord is damaged, it must be replaced by a special cord or assembly available from your local Service Force Centre.
- Any electrical work required to install this appliance should be carried out by a qualified electrician or competent person.
- Parts which heat up should not be exposed. Whenever possible, the back of the appliance should be close to a wall, but leaving the required distance for ventilation, as stated in the installation instructions.
- The appliance should be left for 2 hours after installation before it is turned on, in order to allow the refrigerant to settle.

Refrigerant

- During transportation and installation of the appliance, be certain that none of the components of the refrigerant circuit become damaged.
- If the refrigerant circuit should become damaged:
 - avoid open flames and sources of ignition.
 - thoroughly ventilate the room in which the appliance is situated.

Child Safety

- Do not allow children to tamper with the controls or play with the product.
- There is a risk of suffocation! Keep packaging material away from children!

During Use

- This appliance is designed for domestic use only, specifically for the storage of edible foodstuffs only. It is not intended for commercial or industrial use.

- Containers with flammable gases or liquids can leak at low temperatures. Do not store any containers with flammable materials, such as spray cans, fire extinguisher refill cartridges etc. in the refrigerator.
- Frozen food should not be refrozen once it has thawed out.
- Do not place carbonated or fizzy drinks in the freezer compartment.
- Ice lollies can cause 'frost/freezer burns' if consumed straight from the star compartment.
- Do not remove items from the freezer compartment if your hands are damp/wet, as this could cause skin abrasions or frost/freezer burns.
- Bottles and cans must not be placed in the freezer compartment they can burst when the contents freeze.
- Manufacturers' recommended storage times should be adhered to. Refer to relevant instructions.

Maintenance and Cleaning

- Before cleaning, always switch off the appliance and disconnect from the electrical supply.
- When unplugging always pull the plug from the mains socket, do not pull on the cable.

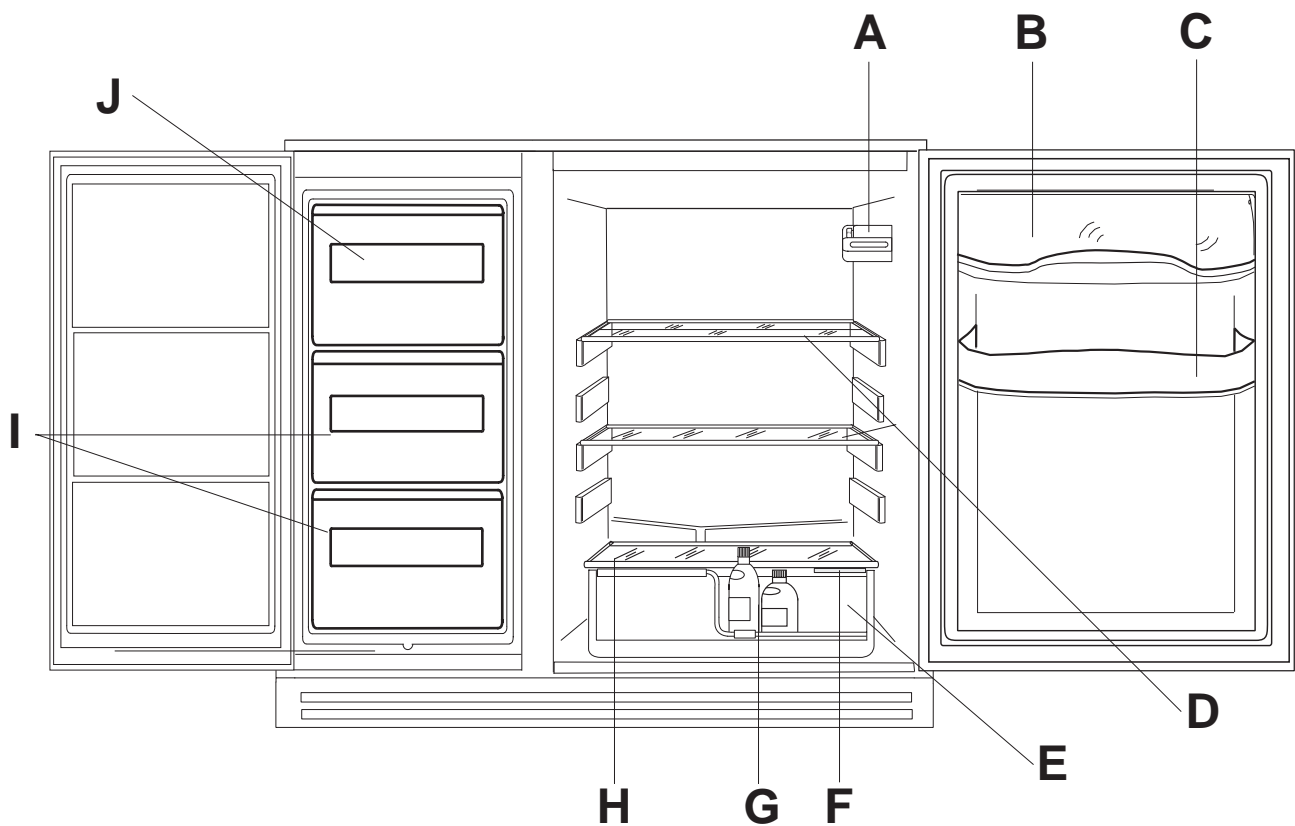
Servicing

- This product should be serviced by an authorised engineer and only genuine spare parts should be used.
- Under no circumstances should you attempt to repair the appliance yourself. Repairs carried out by inexperienced persons may cause injury or serious malfunctioning. Contact your local Zanussi Service Force Centre.

At the end of the Appliance Life

- When disposing of your appliance use an authorised disposal site.
- Remove the plug and ensure that any locks or catches are removed, to prevent young children being trapped inside.

i DESCRIPTION OF THE APPLIANCE



- A** - Thermostat, ambient temperature switch, light
- B** - Dairy compartment
- C** - Shelf with egg trays
- D** - Storage shelves. For greater use of the space, the front of the shelf can be folded onto the rear of the shelf.
- E** - Fruit and vegetables
- F** - Freshness control
- G** - Bottles
- H** - Meat, fish
- I** - Frozen food storage compartments
- J** - Fast freezing compartment

OPERATION

Setting the temperature

The temperature inside the refrigerator is regulated by a thermostat with 6 temperature positions and one «OFF» (O) position.

Position 1 = minimum cold

Position 6 = maximum cold

Turn the thermostat dial to the required position.

An intermediate position is usually the most suitable, although the temperature will be affected by:

- Room temperature
- How often the door is opened
- How much food is stored
- Position of the appliance

In determining the correct temperature control setting all these factors have to be considered and some experimentation may be necessary.

When altering the temperature setting, allow 24 hours for the temperature to stabilise before making further changes.

Ambient Temperature Switch

The appliance is designed to operate in room temperatures of 16°C to 32°C, or down to 10°C if the ambient switch is switched on. The ambient switch should be switched on when the room temperature drops below 16°C (the incorporated lamp will illuminate). If the room temperature drops below the above figures the temperature in the freezer may rise above -18°C, then safe storage of frozen food can no longer be guaranteed. It is most likely that the ambient switch will need to be depressed throughout the winter to allow for low overnight temperatures. No damage can be caused by leaving the switch in this position for a period of time.

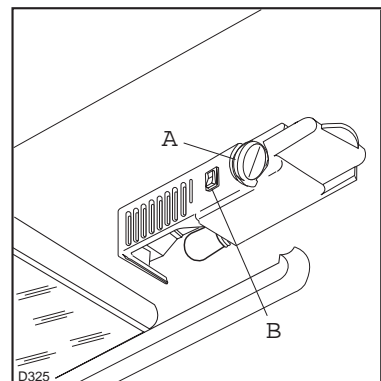
A. Thermostat dial

B. Ambient switch



Important

During prolonged periods of abnormally hot weather, if the thermostat is set on too high a number, the cooling system may operate continuously and the fridge cooling plate may not defrost. Turning the knob to a lower number will cause the automatic defrosting to resume.

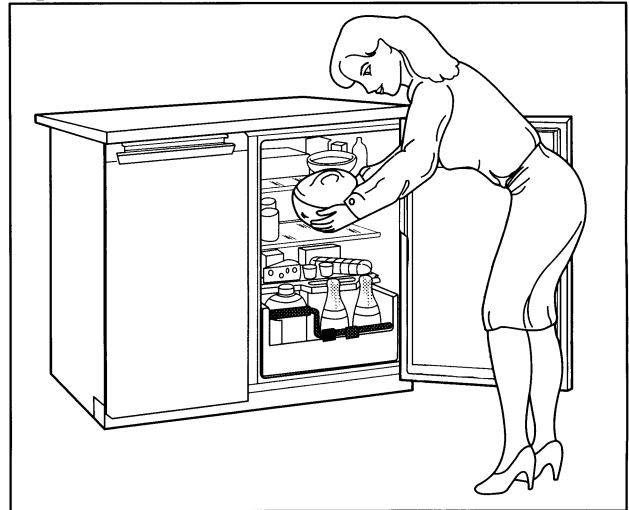


The refrigerator compartment

The coldest area of the refrigerator is the lower part, above the fruit and vegetable drawer.

For the best performance from your refrigerator, always follow these rules:

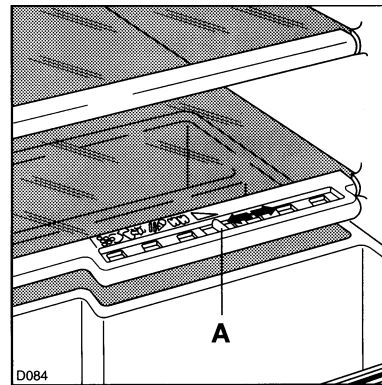
- never put hot drinks or food into the refrigerator, leave them to cool at room temperature first
- cover food, especially if strong smelling
- space out the food so that the air can circulate freely around it
- don't block air circulation by covering the gap between the front part of the shelves and the back.



Freshness control

The fruit and vegetable compartment can accumulate moisture depending on the type of food stored. To regulate the build-up of humid air in this compartment there is a vent (A -Fig.) which can be adjusted. For salads and leafy vegetables, a high moisture content will ensure that they retain their freshness but root vegetables such as turnips require a less moist atmosphere.

The adjuster allows you to select the best conditions for your food, the atmosphere will be dryer the more the vent is opened.



Helpful hygiene tips

- Always wash your hands with soapy water and dry them with a clean towel before handling food.
- Keep work surfaces clean and avoid cross contamination by not using the same work surface for raw and cooked food without washing it thoroughly in between.
- Use clean kitchen roll wherever possible for clearing up food. If you use a dishcloth be sure to boil it frequently.
- Regularly remove suspect food from your refrigerator and clean the interior with a solution of bicarbonate of soda in warm water (5 ml to 0.5 litre of water). Never allow spills to dry and harden.
- Regularly check the refrigerator door seal to ensure that it is clean and free from debris.
- Make sure that food is used before its «best before» date.
- Cool food as quickly as possible but don't place in refrigerator or freezer until cool. (Leave food in a place as cool as possible in order that it can be placed in the refrigerator or freezer without delay).
- Do not store food uncovered.
- Do not mix raw and cooked meat, they must be in separate containers. Take care not to let the meat juices drip onto other food. If the meat does drip, remove everything and clean thoroughly.

The freezer compartment

Freezing fresh food

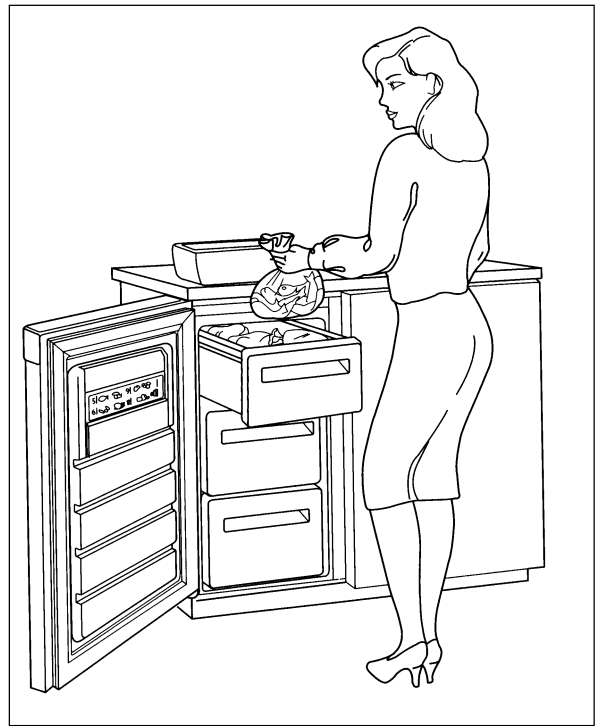
When starting up the appliance for the first time or after a period of non use, position the thermostat to a medium setting (3 or 4) and leave for at least 4 hours before placing the food to be frozen inside.

If you wish to fast-freeze a quantity of fresh food, press the ambient switch (light on) located near the thermostat knob. Leave it on this position for 24 hours before placing in the food and set it back to normal position after further 24 hours.

If the switch is already depressed no further adjustment is required.

The products for freezing should be placed in the upper drawer and then transferred to the lower drawers so that the compartment is left free for the next freezing operation.

The maximum freezing capacity is 3 kg /24 hours. Never exceed the quantity indicated in one freezing batch.



Frozen food storage

Storing ready-frozen foods is quite straightforward. The packs can be placed beside each other or on top of each other.

In the first compartment, produce must only be stocked up to the mark on the drawer to ensure air circulation is not obstructed.

You are strongly advised to place ready-frozen food in the compartment as quickly as possible after purchase. Also ensure that the external packaging is intact.

Packaging which is swollen or has traces of refrozen water droplets on the pack could indicate that the product has not been kept at a suitable temperature and that it may have lost its original quality. Partially thawed food must not be refrozen, it must be consumed within 24 hours. Never exceed the storage times indicated.

Do not open the freezer door too often and do not leave open longer than necessary.



Important

Do not consume ice-lollies which have just come out of the freezer. Their extremely low temperature can cause frost burns. Do not remove items from the freezer if your hands are damp/wet, as this could cause skin abrasions or "frost/freezer burns".



Caution

In the event of a power cut do not open the door the food in the freezer will not be affected if the power cut is short and if the freezer is full. Should the food begin to thaw, it must be consumed quickly and must not be re-frozen.

Some useful hints for freezing

- The fresh foods to be frozen must be fresh and of the best quality.
- The size of each pack should be small enough to ensure that it is used in one go. Small packs freeze more quickly and uniformly and give better results.
- Frozen food, once thawed, must not be refrozen. Lean food keeps better and longer than fatty food, salt reduces the storage time.
- Wrap the food in polythene or aluminium freezing bags or foil so that they adhere to the food and provide an airtight seal. Stick a label on each pack showing the contents and date of freezing. This makes it easy to check storage times. The same information can be copied onto the record card in the door.
- Never place hot food, bottles or cans of fizzy drink in the freezer as they may explode. Containers with a lid must not be filled to the brim.
- Do not open the door or place extra fresh food in the freezer next to food which is already frozen as this could cause the temperature of the frozen food to rise and its quality and storage life to reduce.
- In the first compartment, produce must only be stacked up to the mark on the drawer so as to ensure that air circulation is not obstructed.

Thawing

Food can be thawed in a number of ways, depending on the type of food and the size of the packs. Meat, fish and fruit should be thawed in the refrigeration compartment and small pieces of meat or poultry can even be cooked while still frozen, but you must ensure that it is thoroughly cooked through.

Vegetables should be directly immersed in boiling water; ready-cooked dishes can be placed directly in the oven in their aluminium wrapping.

A microwave oven is particularly suitable for thawing any type of frozen or deep-frozen food: follow the oven instructions, particularly regarding the placement of aluminium wrapping in the oven.

Making ice cubes

The appliance is provided with a plastic ice cube tray.

Fill the tray 3/4 full to allow the ice to expand and place in one of the freezer drawers.

To turn out the ice cubes simply give the tray a slight twist to release the cubes.

Normal Operating Sounds

You may hear faint gurgling or bubbling sounds when the refrigerant is pumped through the coils or tubing at the rear, to the cooling evaporator.

When the compressor is on, the refrigerant is being pumped round, and you will hear a whirring sound or pulsating noise from the compressor.

A thermostat controls the compressor, and you will hear a faint 'click' when the thermostat cuts in and out.



HEALTH AND SAFETY GUIDELINES

Because of consumer demand, preservatives have been removed from many pre-prepared foods. This together with the changes in shopping habits to a once-a-week shop, mean that safe handling and storage of food is even more important than ever. The following tips should help you to ensure that the food in your home is in as perfect condition as possible.

- Keep the time between buying chilled food and placing it in your fridge as short as possible. Tests showed that the temperature of 1 litre of orange juice rose to 22°C in an hour between the supermarket and home. It then took 11 hours to get down to 7°C in the refrigerator.
- Keep the freezer door closed as much as possible.
- Do not push food together too much, try to allow air to circulate around each item.
- Cool cooked food as quickly as possible but do NOT place in the freezer until cool. (Leave food in a place as cool as possible in order that it can then be placed in the refrigerator as soon as possible).
- Do NOT mix raw and cooked meat, they must be in separate containers. Take care not to let the meat juices drip onto other food. If the meat does drip, remove everything and clean thoroughly.
- Do not store food uncovered.
- The best way to defrost food is to put it in the refrigerator to thaw slowly.
- Remove suspect food from your refrigerator and clean the interior (see "Maintenance and Cleaning").
- Never allow spills to dry and harden.
- Ensure that food placed in the freezer is dated and labelled and used in date order to ensure that food is consumed at its best.
- It is important that food is used before its "best before" date.
- Store eggs in the egg rack provided in the refrigerator door. Discard any broken or chipped eggs.
- Regularly check the refrigerator door seal to ensure that it is clean and free from debris.
- Always wash your hands with soapy water and dry them with a clean towel before handling food.
- Keep work surfaces clean and avoid cross contamination by not using the same work surface or knife, without washing them thoroughly in between.
- The foods to be frozen must be fresh and of the best quality.
- The size of each pack should be small enough to ensure that it is used in one go. Small packs freeze more quickly and uniformly and give better results.
- Frozen food, once thawed, must not be refrozen. Lean food keeps better and longer than fatty food, salt reduces the storage time.
- Wrap the food in polythene or aluminium freezing bags or foil so that they adhere to the food and provide an air light seal.
- Packaging which is swollen or has traces of refrozen water droplets on the pack could indicate that the product has not been kept at a suitable temperature and that it may have lost its original quality. Partially thawed food must not be refrozen, it must be consumed within 24 hours. Never exceed the storage time indicated.
- Never place hot food, bottles or cans of fizzy drink in the freezer as they may explode. Containers with a lid must not be filled to the brim.
- Do not open the door or place extra fresh food in the freezer next to food which is already frozen as this could cause the temperature of the frozen food to rise and its quality and storage life to reduce.



Important

In the event of a power failure causing the temperature within your freezer to rise, do not re-freeze the food without checking its condition. The following guidelines should assist you:

Ice-cream: once thawed should be discarded.

Fruits & Vegetables: if soft should be cooked and used up.

Breads & Cakes: can be re-frozen without danger.

Shellfish: should be refrigerated and used up quickly.

Cooked Dishes: i.e. casseroles should be refrigerated and used up.

Large Pieces of Meat: can be re-frozen providing there are still ice crystals remaining within them.

Small Joints: should be cooked and can then be re-frozen as cooked dishes.

Chicken: should also be cooked and re-frozen as a cooked dish.

Defrosting

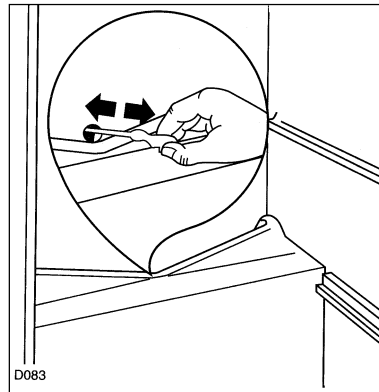
Refrigerator

The refrigerator automatically defrosts every time the compressor stops. The water is discharged, via the pipe, into a tray located at the back of the appliance above the compressor, where it evaporates.

Important

To avoid defrost water overflowing into the fridge, periodically clean the water discharge hole in the centre of the V shaped drip collector at the back of the refrigerator compartment behind the fruit and vegetable drawer.

Use the special cleaner provided which you will find already inserted into the discharge hole.



Freezer

When the frost has reached a thickness of up to 4 mm it can be removed using the ice scraper provided with the appliance. During this operation it is not necessary to disconnect the appliance from the mains and remove the food.

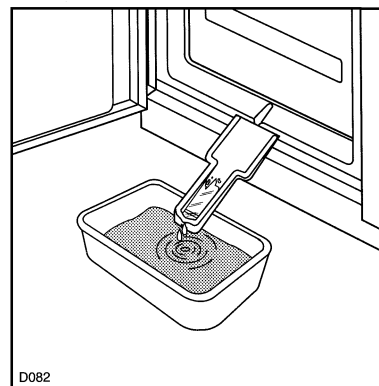
Never use metal tools for this operation.

For complete defrosting (once or twice a year) proceed as follows:

1. Turn the thermostat dial to the «OFF» position (O) and disconnect the appliance from the mains.
2. Remove any food from inside the freezer and fridge, wrap it in several sheets of newspaper and store in a cool place.
3. Leave the door open and insert the ice scraper under the channel in the centre of the lower part of the appliance, place a low-sided container beneath the scraper to collect the water.
4. Clean and dry thoroughly.

Replace the scraper in one of the drawers.

Reconnect the appliance to the mains or reset the thermostat to a functioning position.



Important

When defrosting the freezer, the fridge is also controlled by the thermostat and will not be operational during this period.

MAINTENANCE AND CLEANING



Important

Before any maintenance or cleaning work is carried out, DISCONNECT the appliance from the ELECTRICITY supply.

Internal clearing

Clean the inside and accessories with warm water and bicarbonate of soda (5ml to 0.5 litre of water). Rinse and dry thoroughly.

NEVER USE DETERGENTS, ABRASIVE POWDERS, HIGHLY PERFUMED CLEANING PRODUCTS OR WAX POLISHES, TO CLEAN THE INTERIOR AS THESE WILL DAMAGE THE SURFACE AND LEAVE A STRONG SMELL.

The freezer drawers can be easily removed for more thorough cleaning. Pull out fully and lift, unhooking them from the catches.

For repositioning lift the drawers, insert under the catches and slide in.

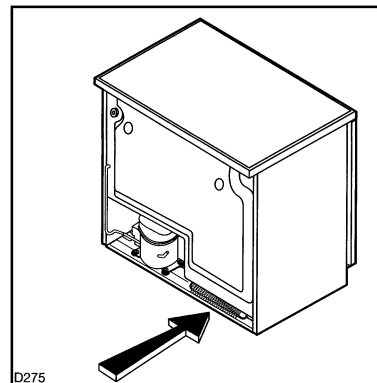
Clean the drain hole of the water trough at regular intervals and make sure that the drain hole is never obstructed, so that the defrost water may flow freely.

External clearing

Wash the outer cabinet with warm soapy water. Do NOT use abrasive products.

Once or twice a year dust the condenser (black grill) and the compressors at the back of the appliance, with a brush or vacuum cleaner, see figure

You MUST ensure that the appliance is switched OFF. An accumulation of dust will affect the performance of the appliance and cause excessive electricity consumption.



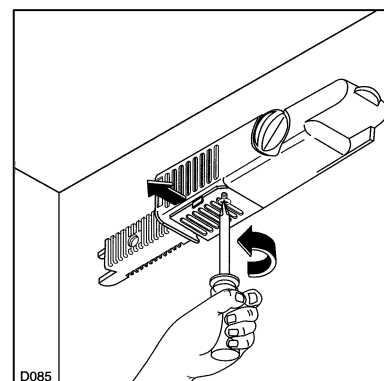
When the appliance is not in use

When the appliance is not in use for long periods, disconnect from the electricity supply, empty all foods and clean the appliance, leaving the doors ajar to prevent unpleasant smells.

Changing the light bulb

Should the interior light fail to work, first switch off the appliance and disconnect from the electricity supply, then replace the bulb as follows, see figure

1. Remove the screw from the light cover and pull the cover.
2. Unscrew the bulb and replace it with a new 15 watt bulb (available from your nearest Zanussi Service Force Centre).
3. Replace the light cover by sliding it into its original position and replacing the screw.



SOMETHING NOT WORKING?

Important: If you call out an engineer to a fault listed below, or to repair a fault caused by incorrect use or installation a charge will be made, even if the appliance is under guarantee.

Before contacting your local Service Force Centre check the following points.

Symptom	Solution
No power to the appliance	<ul style="list-style-type: none">- Check there is power at the socket.- Check there is not a power cut by checking the household lights.- Check the fuse has not blown.
The temperature in the freezer is too high	<ul style="list-style-type: none">- Check the thermostat knob is turned to the correct setting relative to ambient conditions.- Check the ambient temperature is within the appliances operating limits of 10°C to 32°C.- Relocate the appliance if necessary.
The freezer door will not open	<ul style="list-style-type: none">- Has door just been opened?- If so leave for a few minutes to allow the air pressure to equalise.
The compressor runs continuously	<ul style="list-style-type: none">- Adjust the thermostat to give correct temperature control. See page 5.- Check that the door is closed.- Large quantities of food have recently been placed in the cabinet and/or door is frequently opened.- Check that air ventilation is not obstructed.
The freezer drawer fronts has frost and ice on.	<ul style="list-style-type: none">- Ensure the door is not left opened.- Check that nothing is preventing the door from closing.- Is the door gasket intact and clean.
Noise	Refer to normal operating sounds.

If after the above checks, there is still a fault, call your local Service Force Centre.

In-guarantee customers should ensure that the above checks have been made as the engineer will make a charge if the fault is not a mechanical or electrical breakdown.

Please note that proof of purchase is required for any in-guarantee service calls.

SERVICE AND SPARE PARTS



In the event of your appliance requiring service, or if you wish to purchase spare parts please contact your local Zanussi Service Force Centre by telephoning:

08705 929929

Your call will be routed to the Service Force Centre covering your post code area. The address of your local Service Force Centre is detailed in the accompanying Customer Care Book.

Before calling out an engineer, please ensure you have read the details under the heading 'Something Not Working?'

When you contact the Service Centre you will need to give the following details.

1. Your name, address and post code
2. Your telephone number
3. Clear and concise details of the fault
4. The model serial no. of the appliance (found on the rating plate)
5. The purchase date

CUSTOMER CARE DEPARTMENT

For general enquiries concerning your Zanussi appliance or for further information on Zanussi products, you are invited to contact our Customer Care Department by letter or telephone as follows:

Customer Care Department
Zanussi
55-77 High Street
Slough
Berkshire
SL1 1DZ

Tel: 08705 727727

GUARANTEE CONDITIONS

Standard guarantee conditions

We, Zanussi Limited, undertake that if within 12 months of the date of purchase this Zanussi appliance or any part thereof is proved to be defective by reason only of faulty workmanship or materials, we will, at our option repair or replace the same FREE OF CHARGE for labour, materials or carriage on condition that:

- The appliance has been correctly installed and used only on the electricity supply stated on the rating plate.
- The appliance has been used for normal domestic purposes only, and in accordance with the manufacturer's instructions.
- The appliance has not been serviced, maintained repaired, taken apart or tampered with by any person not authorized by us.
- All service work under this guarantee must be undertaken by a Zanussi Service Force Centre.
- Any appliance or defective part replaced shall become the Company's property.
- This guarantee is in addition to your statutory and other legal rights.

Home visits are made between **8.30am** and **5.30pm** Monday to Friday. Visits may be available outside these hours in which case a **premium** will be charged.

Exclusions

This guarantee does not cover:

- Damage or calls resulting from transportation, improper use or neglect, the replacement of any light bulbs or removable parts of glass or plastic.
- Costs incurred for calls to put right an appliance which is improperly installed or calls to appliances outside the United Kingdom.
- Appliances found to be in use within a commercial environment, plus those which are subject to rental agreements.
- Products of Zanussi manufacture which are not marketed by Zanussi Limited.

European Guarantee

If you should move to another country within Europe then your guarantee moves with you to your new home subject to the following qualifications:

- The guarantee starts from the date you first purchased your product.
- The guarantee is for the same period and to the same extent for labour and parts as exists in the new country of use for this brand or range of products.
- This guarantee relates to you and cannot be transferred to another user.
- Your new home is within European Community (EC) or European Free Trade Area.
- The product is installed and used in accordance with our instructions and is only used domestically, i.e. a normal household.
- The product is installed taking into account regulations in your new country.

Before you move please contact your nearest Customer Care centre, listed below, to give them details of your new home. They will then ensure that the local Service Organisation is aware of your move and able to look after you and your appliance.

France	Senlis	+33 (0) 44 62 29 99
Germany	Nuremberg	+49 (0) 911 323 2600
Italy	Pordenone	+39 (0) 1678 47053
Sweden	Stockholm	+46 (0) 8 738 79 50
UK	Slough	+44 (0) 1753 219897

TECHNICAL SPECIFICATIONS

DIMENSIONS

Height	85 cm
Width	89.5 cm
Depth	60 cm

POWER SUPPLY VOLTAGE AND FREQUENCY
TOTAL POWER ABSORBED
AVERAGE DAILY UNITS ELECTRICITY(*)

220-240 V / 50 Hz
130 W
1.20 kWh

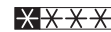
GROSS CAPACITY

Fridge	130 l
Freezer	83 l

NET CAPACITY

Fridge	128 l
Freezer	52 l

STAR RATING



(*)This figure is based on standard test results in accordance with the European Standard EN153. Actual consumption will depend on how the appliance is used and where it is located.

INSTALLATION

Warning

IF YOU ARE DISCARDING AN OLD APPLIANCE THAT HAS A LOCK OR CATCH ON THE DOOR, PLEASE ENSURE THAT IT IS MADE UNUSABLE TO PREVENT YOUNG CHILDREN BEING TRAPPED INSIDE.

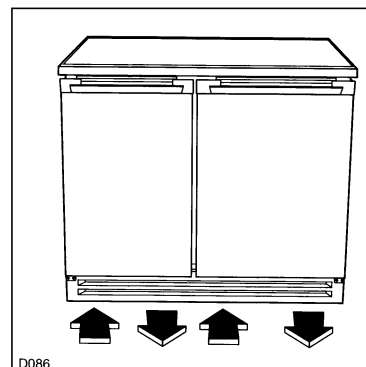
Positioning

This appliance is designed to operate in ambient temperatures between 10°C (50°F) and 32°C (90°F). It should be located in a dry atmosphere, out of direct sunlight and away from extreme temperature e.g. not next to a cooker or other sources of direct heat, or in a very cold room e.g. an outhouse, where the temperatures may fall below 10°C (50°F). If these temperatures are exceeded i.e.. colder or warmer, then the appliance may not operate correctly.

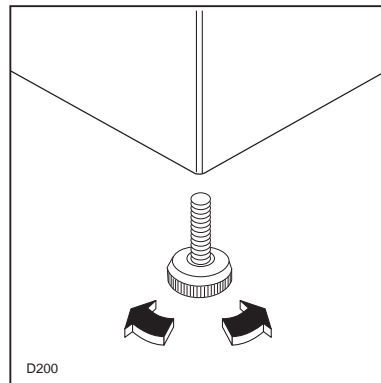
The appliance can be fitted next to other kitchen units as long as air can circulate freely (see Figure).

It is important that the bottom grill is not obstructed as the air must circulate freely through this grill.

The appliance is provided with two levelling feet located at the front, and two rear castors for easy movement.



The refrigerator should be levelled accurately. Adjust the level of the appliance by screwing out the adjustable feet at the bottom of the cabinet using your fingers.



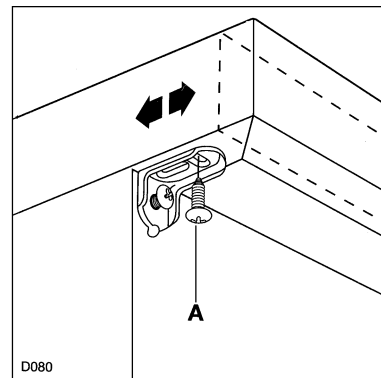
Before using

Remove all securing tapes. Wash inside the appliance with lukewarm water and a little bicarbonate of soda (5 ml to 0.5 litre of water). Do not use soap or detergent as the smell might linger. Dry thoroughly.

Aligning the fridge-freezer top with the other kitchen units

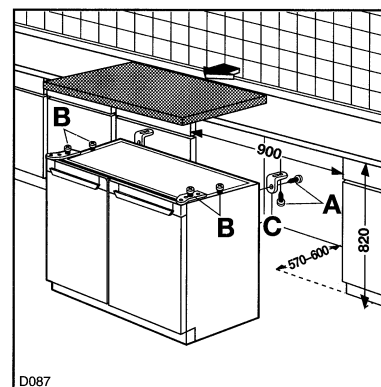
The appliance comes with the top aligned with the door. To change the alignment, follow the instructions below:

Remove the screws (A-Fig.) fixing the rear brackets to the top; move the top and, having selected the new position, refit the screws.



Fitting the appliance under the kitchen work surfaces

This appliance can also be fitted under your existing kitchen unit tops following the instructions below: remove the screws (A) fixing the rear brackets (C) to the top, detach the top from the catches (B) and remove (see figure).



ELECTRICAL CONNECTION



WARNING:

THIS APPLIANCE MUST BE EARTHED.
The manufacturer declines any liability should this safety measure not be observed.

If the plug that is fitted to your appliance is not suitable for your socket outlet, it must be cut off and the appropriate plug fitted.

Remove the fuse from the cut off plug.

The cut off plug should then be disposed of to prevent the hazard of shocks in case it should be plugged into a 13amp socket in another part of your home.



Important

The wires in the mains lead are coloured in accordance with the following code:

Green and Yellow	- Earth
Blue	- Neutral
Brown	- Live

If you fit your own plug, the colours of the wires in the mains lead of your appliance, may not correspond with the markings identifying the terminals in your plug, proceed as follows:

Connect the Green and the Yellow (earth) wire to the terminal in the plug which is marked with the letter «E» or the earth symbol \oplus , or coloured green and yellow.

Connect the blue (neutral) wire to the terminal in the plug which is marked with the letter «N» or coloured black.

Connect the brown (live) wire to the terminal in the plug which is marked with the letter «L» or coloured red.

The plug moulded onto the lead incorporates a fuse. For replacement, use a 13amp BS1362 fuse. Only ASTA or BSI approved fuses should be used.

The plug must not be used if the fuse cover/carrier is lost. The cover/carrier is indicated by the coloured insert at the base of the plug.

A replacement cover/carrier must be obtained from your local Zanussi Service Force Centre whose address is listed in the Customer Care Booklet which accompanies your instruction manual.

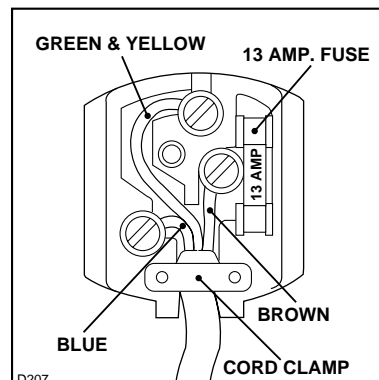
This appliance complies with the E.E.C. Directive No. 87/308 of 2.6.87 relative to radio interference suppression.



This appliance complies with the following E.E.C. Directive:

- 73/23 EEC of 19.2.73 (Low Voltage Directive) and subsequent amendments.
- 89/336 EEC of 3.5.89 (Electromagnetic Compatibility Directive) and subsequent amendments.

Please ensure that when the appliance is installed it is easily accessible for the engineer in the event of breakdown.



Free Manuals Download Website

<http://myh66.com>

<http://usermanuals.us>

<http://www.somanuals.com>

<http://www.4manuals.cc>

<http://www.manual-lib.com>

<http://www.404manual.com>

<http://www.luxmanual.com>

<http://aubethermostatmanual.com>

Golf course search by state

<http://golfingnear.com>

Email search by domain

<http://emailbydomain.com>

Auto manuals search

<http://auto.somanuals.com>

TV manuals search

<http://tv.somanuals.com>