

OPERATING AND INSTALLATION INSTRUCTIONS

ZANUSSI

**ZHC72X
COOKER HOOD**

IMPORTANT SAFETY INFORMATION

These warnings are provided in the interests of your safety. Ensure that you understand them all before installing or using this appliance. Your safety is of paramount importance. If you are unsure about any of the meanings of these warnings contact the Customer Care Department.

Installation

- Any installation work must be undertaken by a qualified electrician or competent person.
- This hood must be installed in accordance with the installation instructions and all measurements adhered to.
- If the cooker hood is installed for use above a gas appliance then the provision for ventilation must be in accordance with the Gas Safety Code of Practice BS.6172, BS.5440 and BS.6891 (natural gas) and BS.5482 (LP gas) 1994, the Gas Safety (Installation & Use) Regulations, the Building Regulations issued by the Dept. of the Environment, the Building Standards (Scotland) (Consolidated) Regulations issued by the Scottish Development Department.
- The fan motor of the cooker hood incorporates a cut-out device, which will operate if the cooker hood is installed below the minimum height recommended in the Technical Information section, or if the motor becomes overheated. If the cut-out device is activated, switch off the motor and allow the hood to cool. The cut-out device will reset itself when the fan motor has cooled.
- It is dangerous to alter the specifications or modify this product in any way.
- When installed between adjoining wall cabinets, the cabinets must not overhang the hob.
- If the room where the hood is to be used contains a fuel burning appliance such as a central heating boiler then its flue must be of the room sealed or balanced flue type.

- If other types of flue or appliances are fitted ensure that there is an adequate supply of air to the room.
- When the hood is used in conjunction with appliances supplied with energy other than electricity, the negative pressure in the room must not exceed 0.04mbar to prevent fumes being drawn back into the room by the hood.
- The ducting system for this appliance must not be connected to any existing ventilation system which is being used for any other purpose.
- Do not install above a cooker with a high level grill.

Child Safety

- The appliance is designed to be operated by adults. Children should not be allowed to tamper with the controls or play with the appliance.

During Use

- This appliance is for domestic use only.
- Never leave frying pans unattended during use as over-heated fats and oils might catch fire.
- Never do flambé cooking under this cooker hood.
- Do not leave naked flames under this hood.

Maintenance and Service

- This appliance can be a fire hazard if the grease and charcoal filters are not cleaned or replaced as recommended.
- Under no circumstances should you attempt to repair the appliance yourself. Repairs carried out by inexperienced persons may cause injury or serious malfunctioning. Refer to your local Zanussi Service Force Centre. Always insist on genuine spare parts.

CONTENTS

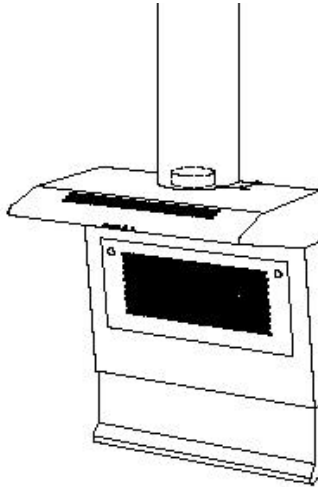
For the User

Important Safety Information	2
Your Appliance	4
Operating Instructions	4
Maintenance and Cleaning	5
Something Not Working	6
Service and Spare Parts	6
Customer Care Department	6
Guarantee Conditions	7

For the Installer

Technical Information	8
Electrical Connections	8
Installing the Cooker Hood	9

YOUR APPLIANCE



OPERATING INSTRUCTIONS

This cooker hood is designed to extract unpleasant odours from the kitchen, **it will not extract steam.**

To obtain the best performance it is advisable to switch on the hood a few minutes before you start cooking and leave it running for approximately 15 minutes after you finish cooking.

Cooker Hood Controls

- A = Light switch
- B = On/Off switch and first motor speed
- C = Second speed
- D = Third speed
- E = Warning light; indicates motor operation



MAINTENANCE AND CLEANING



Before carrying out any maintenance or cleaning isolate the cooker hood from the mains supply.



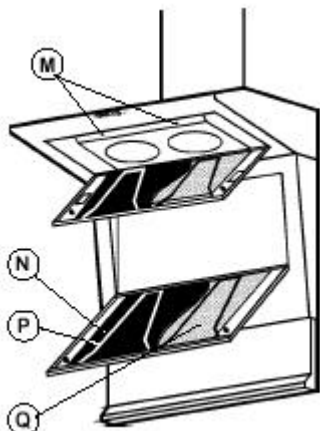
The cooker hood must be kept clean, a build up of grease or fat can be a fire hazard.

If you have the cooker hood operating in the re-circulation mode, it is necessary to change the charcoal filters (N) regularly according to use. They should be changed at least twice a year.

To remove the charcoal filters:

- take off the anti-grease grilles as described in the installation section.
- lift the two metallic stops (P).
- remove the charcoal filter.

The 2 anti-grease filters are easily removed from the grille by following the instructions and lifting the two metallic stops (P). If you are using the hood in the re-circulation mode, you will need to remove the charcoal filter to access the anti-grease filters.



WARNING: There is a third metallic filter (not visible) which can be accessed through opening R.



External Cleaning

Any fat deposits should be removed regularly, at least every two months. Avoid using abrasive or corrosive cleaning products.

To clean the outside of the cooker hood, use a cloth dipped in lukewarm water to which a small amount of washing up liquid has been added.

To clean the steel, brass or copper parts on the outside of the appliance, use a proprietary cleaner and follow the manufacturer's instructions.

The inside of the appliance should be cleaned with a soft cloth or brush dipped in warm soapy water.

SOMETHING NOT WORKING

If, having carried out these instructions carefully, your cooker hood fails to work properly please carry out the following checks.

Symptom	Solution
The cooker hood will not start	Check that the hood is connected to the electricity supply. Check that the fan speed control is on.
The cooker hood is not working effectively	Is the fan speed high enough for the task? Is the grease filter clean? Is the kitchen adequately vented to allow the entry of fresh air. If set up for re-circulation, check that the charcoal filter is still effective. If set up for extraction, check that the ducting and outlets are not blocked.
The cooker hood has switched off during operation	Has the safety cut-out tripped? Turn off the hob and wait for the device to reset

If after all these checks, the problem persists, contact your local Service Force Centre, quoting the model number and serial number.

Please note that it will be necessary to provide proof of purchase for any in-guarantee calls.

In-guarantee customers should ensure that the above checks have been made as the engineer will make a charge if the fault is not a mechanical or electrical breakdown.

SERVICE AND SPARE PARTS

If you require an engineer or wish to purchase spare parts contact your local Service Force Centre by telephoning:

08705 929929

Your telephone call will be routed to the Service Force Centre covering your postcode area.

For general assistance with your appliance or for information on other Zanussi

products please contact our Customer Care Department.

Customer Care Department
Zanussi
55-77 High Street
Slough
Berkshire
SL1 1DZ

Telephone: 08705 727727 *

* calls to this number may be recorded for training purposes

GUARANTEE CONDITIONS

Standard Guarantee Conditions

We, Zanussi, undertake that if within 24 months of the date of the purchase this Zanussi built-in appliance or any part thereof is proved to be defective by reason only of faulty workmanship or materials, the company will, at our option, repair or replace the same FREE OF ANY CHARGE for labour, materials and carriage on condition that:

- The appliance has been correctly installed and used only on the electrical supply stated on the rating plate.
- The appliance has been used for normal domestic purposes only, and in accordance with the manufacturer's operating and maintenance instructions.
- The appliance has not been serviced, maintained, repaired, taken apart or tampered with by any person not authorised by us.
- All service work under this guarantee must be undertaken by a Zanussi Service Force Centre.
- Any appliances or defective parts replaced shall become the property of this company. Home visits are made between 8.30am and 5.30pm Monday to Friday. Visits may be available outside these hours in which case a premium will be charged.

EXCLUSIONS

This Guarantee does not cover:

- Damage or calls resulting from transportation, improper use or neglect, the replacement of any light bulbs or removable parts of glass or plastic.
- Costs incurred for calls to put right appliances improperly installed or calls to appliances outside the United Kingdom.
- Appliances found to be in use within a commercial environment, plus those which are the subject of rental agreements.
- Products of Zanussi manufacture which were not marketed by Zanussi Ltd.

This guarantee is in addition to your statutory and legal rights.

ZANUSSI EUROPEAN GUARANTEE

If you move to another country within Europe then your guarantee moves with you to your new home subject to the following qualifications:

- The guarantee starts from the date you first purchased your product.
- The guarantee is for the same period and to the same extent for labour and parts as exists in the new country of use for this brand or range of products.
- The product is installed and used in accordance with our instructions and is only used domestically, i.e. a normal household.
- The product is installed taking into account regulations in your new country.

Before you move please contact your nearest Customer Care centre, listed below, to give them details of your new home. They will ensure that the local Service organisation is aware of your move and able to look after you and your appliance.

France	Senlis	+33 (0)3 44 62 29 99
Germany	Nurnberg	+49 (0)911 323 2600
Italy	Pordenone	+39 (0)01678 47053
Sweden	Stockholm	+46 (0)8 738 79 50
UK	Slough	+44 (0)1753 219897

INSTALLATION INSTRUCTIONS

It is dangerous to alter the specifications or attempt to modify this product in any way.

Technical Information

DIMENSIONS	Height	1410-2340mm
	Width	700mm
	Depth	500mm
	Gross weight	23kg
	Net weight	20kg
ELECTRICAL SUPPLY:		220-240V (50Hz)
POWER CONSUMPTION:		280 W
FAN MOTOR:		200 W
LAMP:	(2x40W candle)	80 W
SUITABLE FOR INSTALLATION ABOVE:	Electric Slot-In Cooker:	650mm min – 750mm max
	Gas Slot-In Cooker:	650mm min – 750mm max

NOTE: CE marking certifies that this appliance complies with the requirements laid down in the EEC directive 89:336 (Electromagnetic Compatibility) and subsequent modifications; EEC directive 73/23 (Low Voltage) and any subsequent modifications.

ELECTRICAL CONNECTION

This appliance must be earthed.

Electrical Requirements

Any permanent electrical installation must comply with the latest I.E.E. Regulations and local Electricity Board Regulations. For your own safety this should be undertaken by a qualified electrician e.g. your local Electricity Board, or a contractor who is registered with the National Inspection Council for Electrical Installation Contracting (NICEIC).

Electrical Connection

Before connecting to the mains supply ensure that the mains voltage corresponds to the voltage on the rating plate of the cooker hood.

This appliance is fitted with a 13 amp plug.

This appliance conforms to EEC Directive No 78 308 regarding suppression of radio and television.

INSTALLING THE COOKER HOOD

Please ensure that when the appliance is installed it is easily accessible to an engineer in the event of a breakdown.



All installation must comply with the local authorities requirements for the discharge of exhaust air.

Incorrect installation may affect the safety of this cooker hood.

Installation Requirements



Before installation, check that the wall to which the cooker hood is to be fitted for electricity cables and water and gas pipes.

This cooker hood is designed to be fixed to any rigid vertical surface over a cooking area, and can be used in the extraction (ducted to the outside) or re-circulation (internal recycling) mode.

The installation work must be carried out by a qualified electrician or competent person.

The manufacturer declines any responsibility for damages due to incorrect installation of the cooker hood or if the cooker hood is not installed in compliance with relevant regulations controlling this type of installation.

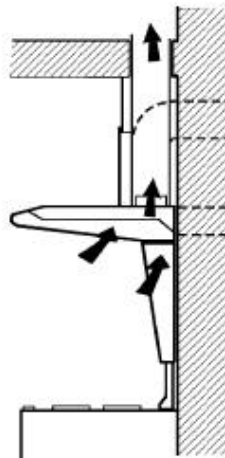
This appliance can be used in either a ducting or filtering mode.

Ducting (fig.1) – Cooking vapours and/or odours are passed straight outside (ceiling and/or wall) via a disposal duct, using the holes that are on the top and/or the back of the appliance.

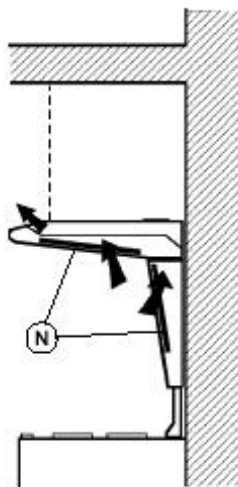
Filtering (fig.2) – Cooking vapours and/or odours are removed from the air by 2 charcoal filters and the air is then re-circulated around the room from the front vents.

ATTENTION: For the filtering option it is absolutely necessary to use the charcoal filters but not for the ducting option.

1



2



Charcoal filters are available from your local Zanussi Service Force Centre: Part No. 942 640 157

INSTALLATION INSTRUCTIONS

Before assembling the appliance, it is necessary to take off the anti-grease grilles.

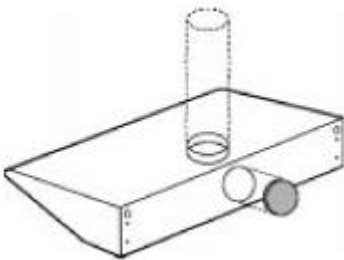
To remove the first grille, push it towards the rear of the apparatus by using the finger points so that it is released (fig.3). To take it off completely, rotate it on one side while keeping the other one steady.

3



If installing the appliance in the ducting mode, connect one of the two discharge outlets to the external ducting and seal the other opening with the cap supplied (fig.4).

4



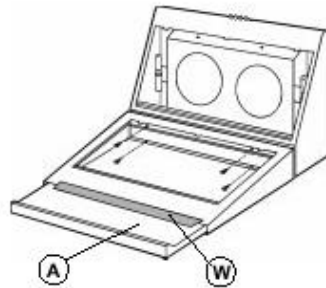
If installing the appliance in the filtering mode, both discharge outlets must be blanked off using the caps supplied.

Wall Fitting

Fix the telescopic part (A) with some adhesive tape (W) so that it cannot slip out (fig. 5).

Fix the lower part to the upper part of the hood by using the screws supplied (fig. 5).

5



Using the drilling template fit two of the screw anchors supplied to the wall, corresponding to holes B (fig. 6). Insert two of the screws supplied and hook the hood in place using the holes B at the back (fig. 6).

Before fully tightening the screws, mark the position of the two holes C on the wall with a marking pen. Unhook the hood and drill the two holes in the marked positions and insert the screw anchors. Hook the hood back into place and finally secure it with the four screws.

Remove the adhesive tape from the telescopic part and pull it downwards until it touches the hob.

INSTALLATION INSTRUCTIONS

6



Make the electrical connection.

Assembling the telescopic flue

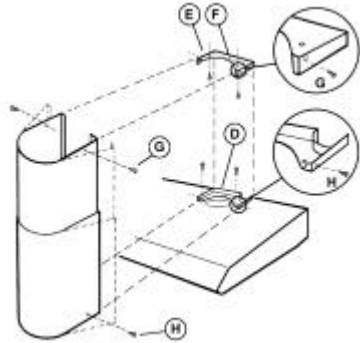
(fig. 7)

Fix the lower bracket (D) onto the apparatus. Fix the upper bracket (E) into the ceiling; in order to position the bracket on the same access as the apparatus, refer to the small triangle (F) that is on the central axis.

Take the two telescopic pipes, remembering that you have to slightly lift the smaller pipe (the lower one); insert the pipes from the front expanding slightly with your hands so that they can be hooked onto the two brackets.

Fix the pipes to the brackets using screws G and H.

7

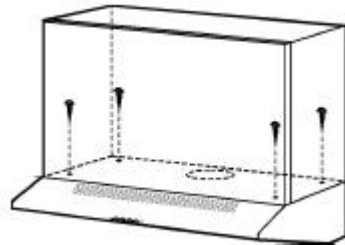


Wall cupboard fitting

Make four holes in the bottom of the wall cupboard and if operating the hood in the ducting mode, cut the air venting hole. If the hood is to be used in the filtering mode, this is not necessary.

Fix the hood to the bottom of the cupboard using the four screws supplied (fig.8).

8



INSTALLATION INSTRUCTIONS

Fix the telescopic part (A) with some adhesive tape (W) so that it cannot slip out (fig. 9).

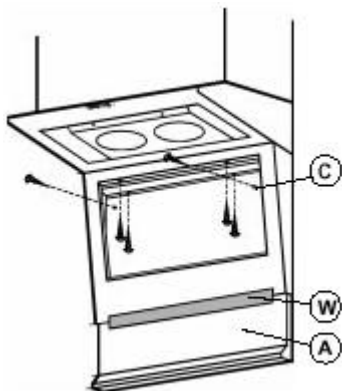
Rest the lower part of the hood against the wall and mark the position of the two holes C (fig. 9) on the wall with a marking pen. Remove the lower part and drill two holes in the marked position and insert the screw anchors.

Fix the lower part by using the 6 screws supplied (fig. 9).

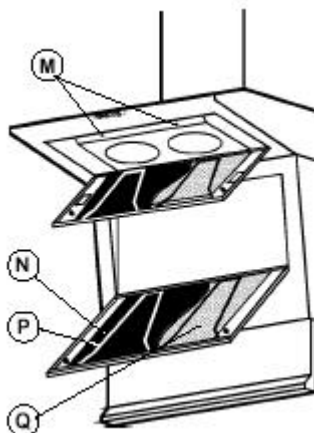
Remove the adhesive tape from the telescopic part and pull it downwards until it touches the hob.

Make the electrical connection.

9



10



IMPORTANT:

Check the position of screw M (fig.10).

Ducting – The screw(s) must be completely screwed in.

Filtering – The screw(s) must not be screwed in, so that the air sucked into the hood can escape through the top vents.

© Electrolux Household Appliances Limited 2000

Free Manuals Download Website

<http://myh66.com>

<http://usermanuals.us>

<http://www.somanuals.com>

<http://www.4manuals.cc>

<http://www.manual-lib.com>

<http://www.404manual.com>

<http://www.luxmanual.com>

<http://aubethermostatmanual.com>

Golf course search by state

<http://golfingnear.com>

Email search by domain

<http://emailbydomain.com>

Auto manuals search

<http://auto.somanuals.com>

TV manuals search

<http://tv.somanuals.com>