



General information



P310i Plastic Card printer

General information

Getting started

Operation

Printing a card

Cleaning

Troubleshooting

Specifications

Appendix A

Appendix B

Appendix C

FOREWORD

This manual contains installation and operation information for the P310i Series card printers manufactured by Zebra Technologies Corporation, Camarillo, California.

RETURN MATERIALS AUTHORIZATION

Before returning any equipment to Zebra Technologies Corporation for in-warranty or out-of-warranty repair, contact Repair Administration for a Return Materials Authorization (RMA) number. Repack the equipment in the original packing material and mark the RMA number clearly on the outside. Ship the equipment, freight prepaid, to the address listed below:

For USA, and Latin America
Zebra Technologies Corporation
Card Imaging Division
1001 Flynn Road
Camarillo, CA. 93012-8706. USA
Phone: +1 (805) 579 1800
Fax: +1 (805) 579 1808
Toll Free in US: (800) 452-4056

For Europe, Asia and Pacific:
Zebra Technologies Corporation
Card Imaging Division
Zone Industrielle, Rue d'Amsterdam
44370 Varades, France
phone: +33 (0) 240 097 070
Fax: +33 (0) 240 834 745

COPYRIGHT NOTICE

This document contains information proprietary to Zebra Technologies Corporation. This document and the information contained within is copyrighted by Zebra Technologies Corporation and may not be duplicated in full or in part by any person without written approval from Zebra. While every effort has been made to keep the information contained within current and accurate as of the date of publication, no guarantee is given or implied that the document is error-free or that it is accurate with regard to any specification. Zebra reserves the right to make changes, for the purpose of product improvement, at any time.

TRADEMARKS

P310i is a service mark and Zebra is a registered trademark of Zebra Technologies Corporation. Windows and MS-DOS are registered trademarks of Microsoft Corp. All other marks are trademarks or registered trademarks of their respective holders.



PRODUCT WARRANTY STATEMENT

Printers

All Zebra Card Printers are warranted against defects in material or workmanship for twelve (12) months from the purchase date.

Proof of purchase or shipment date is required to validate the warranty period. The warranty becomes void if the equipment is modified, improperly installed or used, damaged by accident or neglect, or if any parts are improperly installed or replaced by the user.

Note: Products returned must be packaged in the original or comparable packing and shipping container. In the event equipment is not so packaged, or if shipping damage is evident, it will not be accepted for service under warranty. Surface transportation charges for return to customers in the continental United States is paid by Zebra. Otherwise, Zebra pays CPT (carriage paid to) nearest airport, customer pays customers, duties, taxes, and freight from airport to destination. If Zebra determines that the product returned for warranty service or replacement is not defective as herein defined, the customer will pay all handling and transportation costs.

Printheads

Since printhead wear is part of normal operation, the original printhead is covered by a twelve (12) month warranty. Warranty period begins on purchase date.

To qualify for this warranty, the printhead must be returned to the factory or to an authorized service center. Customers are not required to purchase Zebra supplies (media and/or ribbons) for warranty qualification. However, if it is determined that the use of other manufacturer supplies has caused any defect in the printhead for which a warranty claim is made, the user is responsible for Zebra's labor and material charges required to repair the defect. The warranty becomes void if the printhead is physically worn or damaged; also if it is determined that failure to follow the preventive maintenance schedule listed in the User's Guide has caused defect in the thermal printhead for which a warranty claim is made.

Spare Parts

All parts, maintenance kits, options kits, and accessories are warranted to be free of defects in material and workmanship for 90 days (except where otherwise denoted) from date of purchase. This warranty become void if the item is modified, improperly installed or used, or

General information

Getting started

Operation

Printing a card

Cleaning

Troubleshooting

Specifications

Appendix A

Appendix B

Appendix C



General information

Getting started

Operation

Printing a card

Cleaning

Troubleshooting

Specifications

Appendix A

Appendix B

Appendix C

DECLARATIONS OF CONFORMITY



European Council Directive		Compliance to Standards	
89/336/EEC modified by 92/31/EEC and 93/68/EEC	EMC Directive	EN 55022-B	RF Emissions control
	EMC Directive	EN 500082-1,1992	Immunity to Electromagnetic Disturbances
73/23/EEC modified by 93/68/EEC	Low voltage Directive	EN 60950	Product safety



Model: P310i conforms to the following specification:
FCC Part 15, Subpart A, Section 15.107(a) and Section 15.109(a) Class B digital device-Testing in process

This equipment is being tested for compliance with the limits for a Class B digital device, pursuant to part 15 of the FCC Rules. These limits are designed to provide reasonable protection against harmful interference in a residential installation. This equipment generates, uses and can radiate radio frequency energy and, if not installed and used in accordance with the instructions, may cause harmful interference to radio communications. However, there is no guarantee that interference will not occur in a particular installation. If this equipment does cause harmful interference to radio or television reception, which can be determined by turning the equipment off and on, the user is encouraged to try to correct the interference's by one or more of the following measures:

- Reorient or relocate the receiving antenna.
- Increase the separation between the equipment and the receiver.
- Connect the equipment into an outlet on a circuit different from that to which the receiver is connected.
- Consult the dealer or an experienced radio/TV technician for help.

The user may find the following booklet, prepared by the Federal Communications Commission, helpful:

How to identify and resolve Radio/TV Interference Problems. This booklet is available from the U.S. Government printing Office, Washington, D.C. 20402, Stock No. 004-000-00345-4.

Use of a shielded cable is required to comply within Class B limits of Part 15 of FCC Rules.

Pursuant to Part 15.21 of the FCC Rules, any changes or modifications to this equipment not expressly approved by Zebra may cause, harmful interference and void the FCC authorization to operate this equipment.

INDUSTRY CANADA NOTICE



P310i Plastic Card printer

INTRODUCTION

Thank you for choosing the Zebra P310i Plastic Card Printer.

These printers produce cards ideal for personalized identification, access control, visitor, membership, promotion and luggage card, badges and tags.

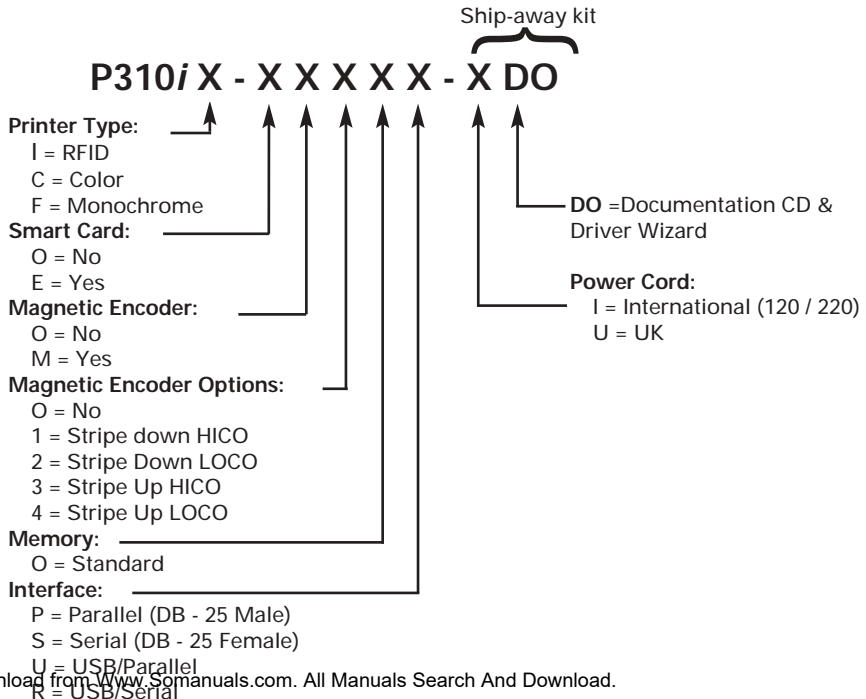
This manual guides you to an efficient start up and operation of your new Card Printer.

P310i PRINTER MODELS

Zebra's Product Numbers tell the story:

Here is a quick review of Zebra's Card Printer Series numbering and lettering system to help you.

Zebra's P310i Plastic Card Printer Series employ Dye Sublimation and Resin Thermal Transfer Technologies. Model numbers include identifiers that specify options and items in the Ship-Away kits.



- General information
- Getting started
- Operation
- Printing a card
- Cleaning
- Troubleshooting
- Specifications
- Appendix A
- Appendix B
- Appendix C

P310i Plastic Card printer

General information

Getting started

Operation

Printing a card

Cleaning

Troubleshooting

Specifications

Appendix A

Appendix B

Appendix C

ICONS

Throughout this manual, different icons highlight important information, as follows:



Important general information



Mechanical hazard, such as one associated with moving parts, capable of resulting in equipment damage or personal injury.



Electrical hazard, such as an exposed voltage point, capable of causing electrical shock and personal injury.



An area where electrostatic discharge (ESD) can cause component damage. Use a grounding wrist band.



Elevated temperature hazard, capable of producing a burn.



Keep Card Printer clean by minimizing cover open time.



Table of contents

- General information**
- Getting started**
- Operation**
- Printing a card**
- Cleaning**
- Troubleshooting**
- Specifications**
- Appendix A**
- Appendix B**
- Appendix C**

ICONS	vi
<hr/>	
GETTING STARTED	1
UNPACKING YOUR CARD PRINTER	1
INDICATORS AND CONTROLS	3
ITEMS INCLUDED WITH YOUR PRINTER	3
PRINTER INSTALLATION	4
<hr/>	
OPERATION	5
P310i PRINTER FEATURES	5
LOADING RIBBONS	6
LOADING CARDS	8
FEEDING ONE CARD AT TIME	11
REMOVING CARD CARTRIDGE	11
PRINTING A TEST CARD	12
<hr/>	
PRINTING A SAMPLE CARD	13
<hr/>	
CLEANING	17
CLEANING SYSTEM	18
CLEANING THE PRINT HEAD	19
CARD CLEANING CARTRIDGE	20
<hr/>	
TROUBLESHOOTING	22
<hr/>	
TECHNICAL SPECIFICATIONS	25
<hr/>	
APPENDIX A - MAGNETIC CARD STRIP ENCODER	29
<hr/>	
APPENDIX B - SMART CARD CONTACT STATION	31
INTRODUCTION	31
<hr/>	
APPENDIX C - ACCESSORIES AND SUPPLIES	33
RIBBONS	33
CARDS	33
ACCESSORIES	35



General information

Getting started

Operation

Printing a card

Cleaning

Troubleshooting

Specifications

Appendix A

Appendix B

Appendix C

GETTING STARTED

UNPACKING YOUR CARD PRINTER

Your P310i printer ships in a carton and protective anti-static bag. Keep all packing material in case you need to move or re-ship the printer.

While unpacking, inspect the carton to ensure that no damage occurred during shipping.

Please ensure that you have a clean and nearly dust free environment for proper operation and storage of the printer.



P310i Plastic Card printer

General information

Getting started

Operation

Printing a card

Cleaning

Troubleshooting

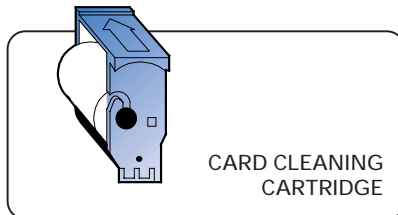
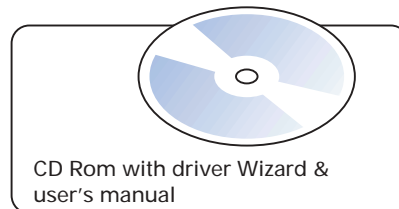
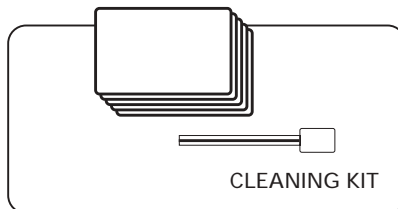
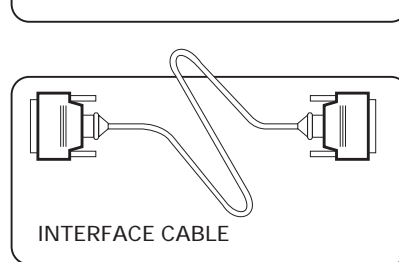
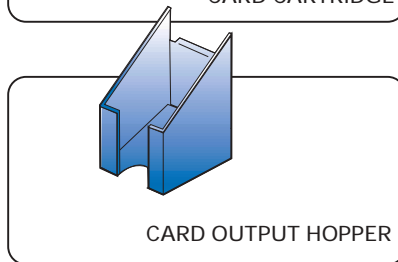
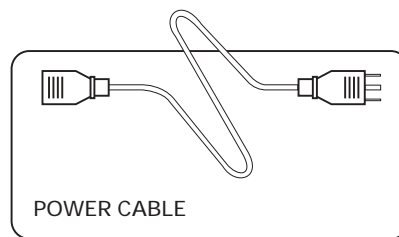
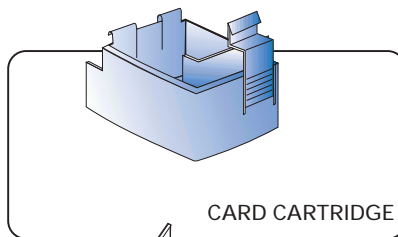
Specifications

Appendix A

Appendix B

Appendix C

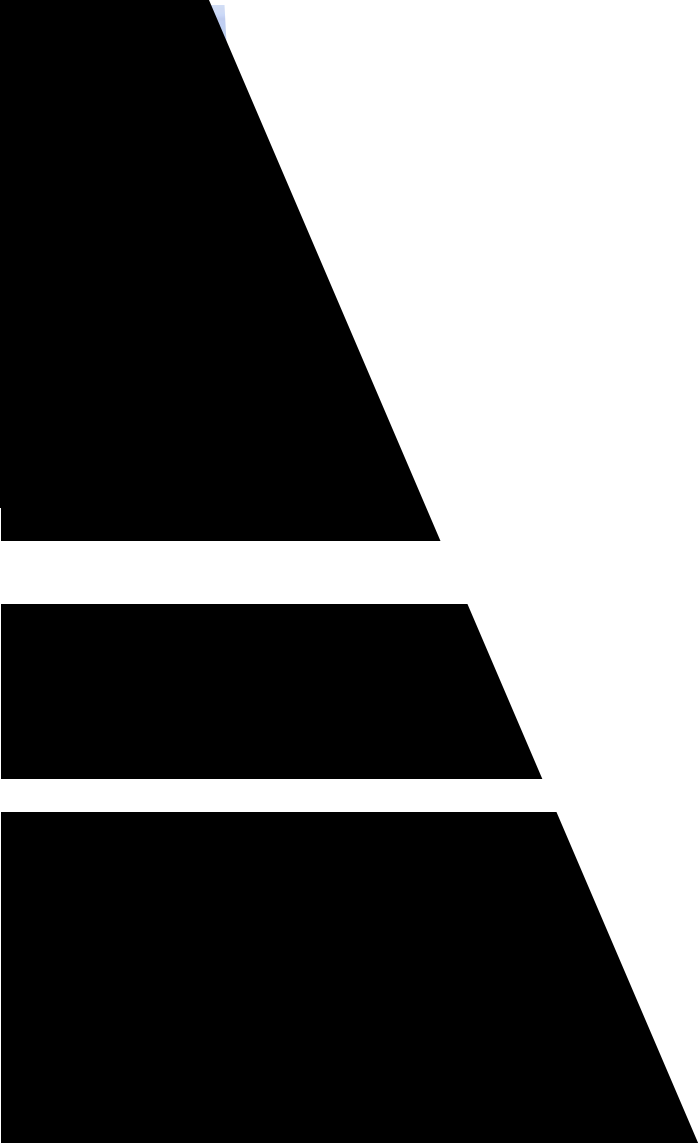
In addition to user documentation, make sure the following items are included with your P310i printer:



+ OPERATOR HELP GUIDE
(Not Shown)

If any items are missing, please contact your dealer.

To reorder, please refer to Appendix C of this manual.



signal printer
a follows:

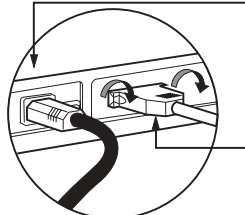
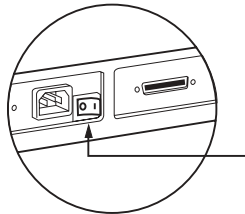
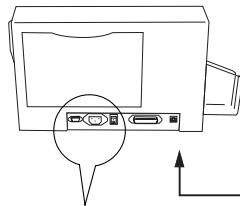
P310i Plastic Card printer

PRINTER INSTALLATION

The following will guide you through the installation of your P310i Printer.



CAUTION: Limit AC power supplied to the P310i to 110 ~ 230 volts, 60 ~ 50 Hertz, for an associated 800 ~ 400 milliamps. Limit excess current draw to 16 amps or less, using an associated circuit breaker or other such device. Never operate the printer in a location where operator, computer, or printer can get wet. Personal injury could result. The electrical security of the printer is based on the reliability of the mains power source.



1. Place the printer in a location that allows easy access to all sides. The printer should never be operated while resting on its side or upside down.

2. Place the printer's power switch in the OFF (0) position.

3. Insert the power cable into the printer power socket and attach to grounded electrical socket of the proper voltage and type.

4. Attach interface cable to printer and computer and then secure.

5. Switch power on.



CAUTION: Intermittent or unpredictable operation may occur from unsecured connectors. If damaged, the power cable must be replaced by an exact equivalent.

General information

Getting started

Operation

Printing a card

Cleaning

Troubleshooting

Specifications

Appendix A

Appendix B

Appendix C



P310i Plastic Card printer

General information

Getting started

Operation

Printing a card

Cleaning

Troubleshooting

Specifications

Appendix A

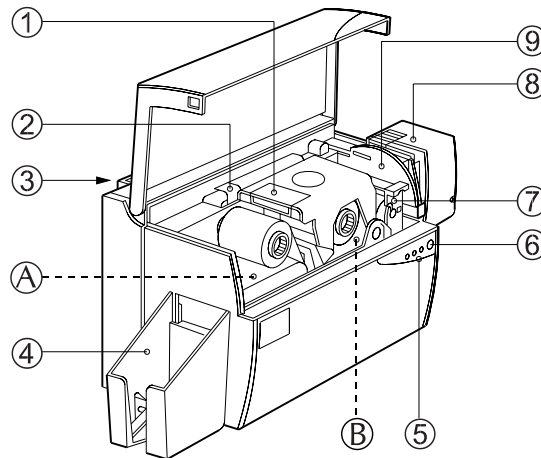
Appendix B

Appendix C

OPERATION

P 310i PRINTER FEATURES

The following shows the features found on your *P 310i* Printer.



PLEASE NOTE: Any blue items inside the printer can be operated by the user.

STANDARD FEATURES

1. Print Head
2. Print Head Unlock Lever
3. Manual Holder
4. Card Output Hopper
5. Status Indicators
6. Panel Button
7. Card Cleaning Cartridge
8. Card Cartridge
9. Card Thickness Control

OPTIONAL FEATURES

- A. Magnetic Encoding Station
- B. Smart Card Contact Station

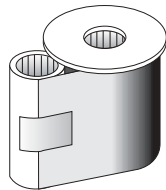
P310i Plastic Card printer

LOADING RIBBONS

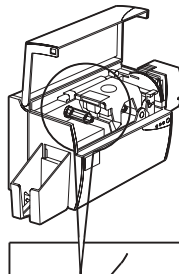
“i Series” Printers requires the use of “i Series” ribbons for full color printing. The Resin Thermal Transfer and Dye Sublimation ribbons for P310i only are specifically designed for your P310i Printer. For optimum performance and printer life (Print Head), use True Colors ribbons.



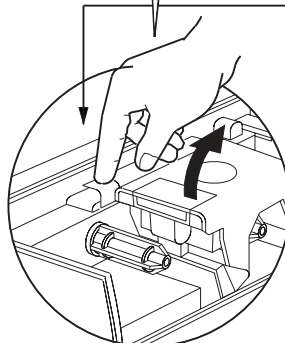
DO NOT TOUCH the print head or the electronic components on the print head carriage. Discharges of electrostatic energy that accumulates on the surface of the human body or other surfaces can damage the print head and other electronic components used in the device.



1. Remove ribbon from packaging.



2. Open cover and press down on the print head unlock lever to open the print head carriage. The print head carriage will pop open.



Continued on next page

General information

Getting started

Operation

Printing a card

Cleaning

Troubleshooting

Specifications

Appendix A

Appendix B

Appendix C



P310i Plastic Card printer

General information

Getting started

Operation

Printing a card

Cleaning

Troubleshooting

Specifications

Appendix A

Appendix B

Appendix C

3. Load ribbon onto the supply spindle (under print head carriage) and empty core (with tape attached) onto the take-up spindle flange side in. Make sure the ribbon comes off of the top of the supply spindle and feeds to the top of the take-up spindle.

4. Push down on the Print Head Lock Lever until an audible 'click' signals the locked-down position.

5. Close Cover.



Please note that the ribbon automatically synchronizes whenever the print head lock down occurs.

The ribbon is simultaneously identified and the according parameters are automatically sent to the driver.

General information

Getting started

Operation

Printing a card

Cleaning

Troubleshooting

Specifications

Appendix A

Appendix B

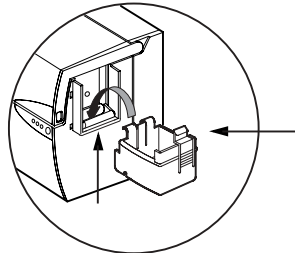
Appendix C

LOADING CARDS

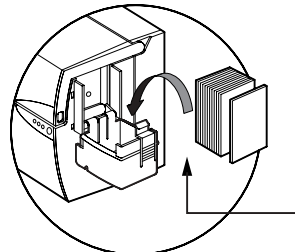
To help you load, print, and collect cards, the P310i is equipped with the following items:

A - CARD CARTRIDGE

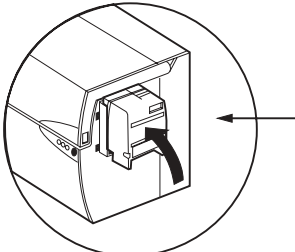
For loading cards.



1. Install Card Cartridge by hooking onto printer as shown and clicking down.



2. Install cards into Cartridge.*



3. Close Cartridge.



DO NOT bend cards or touch print surfaces as this can reduce print quality. The surface of the cards must remain clean and dust free. Always store cards in an enclosed container. Ideally, use cards as soon as possible. If cards stick together, carefully shuffle them.

* See Chapter 6, Technical Specifications, for card requirements and capacities.

P310/ Plastic Card printer

General information

Getting started

Operation

Printing a card

Cleaning

Troubleshooting

Specifications

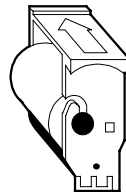
Appendix A

Appendix B

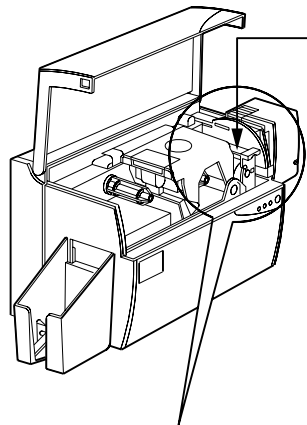
Appendix C

B - INSTALL CARD CLEANING CARTRIDGE

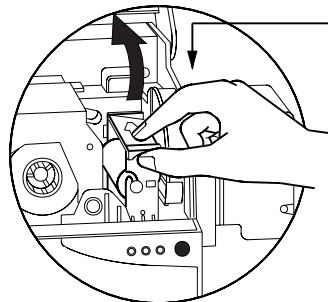
This item is used to clean the cards entering the printer.



1. Remove Card Cleaning Cartridge from packaging. Peel protective wrapper from adhesive roller.



2. Open Printer cover and remove the yellow reminder tape from the location for the Cleaning Cartridge.



3. Make sure the arrow on top of the assembly is facing toward the rear of the printer. Hook assembly into slot on printer and rotate down. Ensure the assembly locks in place.



P310/ Plastic Card printer

General information

Getting started

Operation

Printing a card

Cleaning

Troubleshooting

Specifications

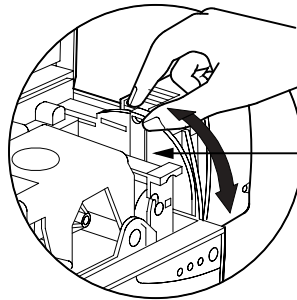
Appendix A

Appendix B

Appendix C

C - CARD THICKNESS CONTROL LEVER

This item is operated by the user to prevent more than one card feeding into the printer at the same time and causing a jam.



Open Cover, and adjust lever to correct position. Repeat for different card thickness. (Factory setting is for 30mil (0.762mm) card thickness. See diagram below:

Card Thickness:

A - 60mil (1.524mm) to 50mil (1.27mm)

B - 40mil (1.016mm)

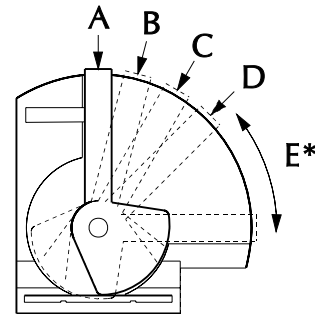
C - 30mil (0.762mm)

D - 20mil (0.508mm)

E* - Less than 20 mil (0.508mm)

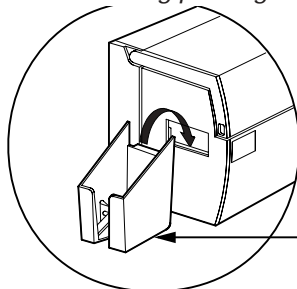
* Start at lowest position and move lever up to match card thickness.

For other card thickness, start lever at lowest position and move up until cards feed.



D - CARD OUTPUT HOPPER

For collecting printing cards.



Install Card Output Hopper onto printer by hooking over bottom edge of card exit aperture.

P310/ Plastic Card printer

General information

Getting started

Operation

Printing a card

Cleaning

Troubleshooting

Specifications

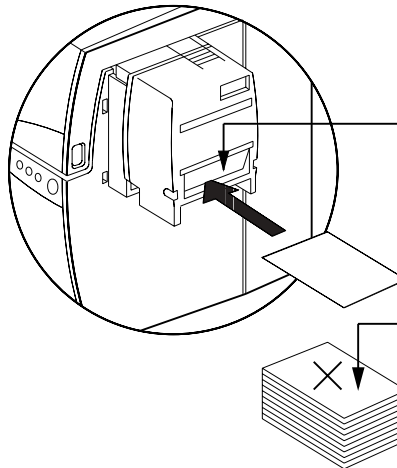
Appendix A

Appendix B

Appendix C

FEEDING ONE CARD AT A TIME

A Manual Feed Slot is available on the size of the Card Input Hopper for feeding single cards. Cleaning Cards are fed manually through this slot. The Card Cartridge must be empty for manual card feeding to work properly.

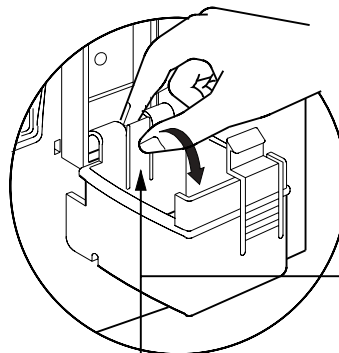


For one-at-a-time printing, feed cards through slots on side of Feeder.

Do not feed more than one card at a time.

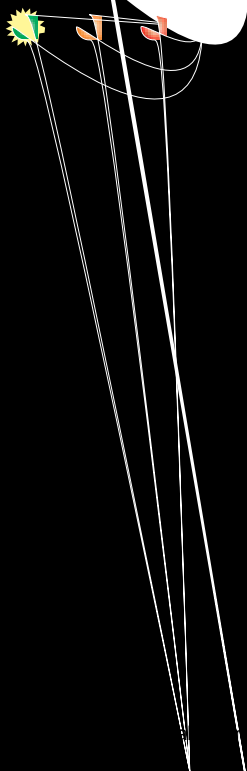
REMOVING CARD CARTRIDGE

Remove the Card Cartridge prior to packaging the printer shipment.



To remove, pull hook back, and lift hopper out.

HOOK





General information

Getting started

Operation

Printing a card

Cleaning

Troubleshooting

Specifications

Appendix A

Appendix B

Appendix C

PRINTING A SAMPLE CARD

Printing with the P310i Printer requires the Windows Printer Driver, your card design/issuing Windows software or printer command level programming through the printer interface.

The P310i Card Printer can be used with any Windows 95/98, Windows NT 4.0 or 2000 software application program, using the drivers provided with the printer.

This section contains information on the printing of a sample card in color (using the 5-panel color ribbon YMCKO) for P310i and the Windows Printer Driver.



BEFORE installing updated printer driver versions, always delete the existing printer driver version from your computer.



P310i Plastic Card printer

To install the P310i Printer Driver Automatically on all Operating Systems, Use the Zebra Install Wizard

To ensure the accuracy of driver installation, it is recommended that you use the Zebra Install Wizard that is provided with your documentation CD.

The Wizard will:

- a • Check to see which operating system you are using
- b • Delete previous version of the driver and clean up any necessary Registry entries
- c • From the main menu of your documentation CD, select your desired language and then select "DRIVERS" from the subsequent menu. The Install Wizard will walk you through the appropriate steps.



On NT systems, ensure that you have administrative privileges to perform this installation or contact your IT department.

General information

Getting started

Operation

Printing a card

Cleaning

Troubleshooting

Specifications

Appendix A

Appendix B

Appendix C



Set Printer Driver Options:

The P310i Printer screen appears. Change the options as follows:

On the **Printer** tab configure the magnetic encoder feature. If your printer is equipped with a magnetic Encoder Option, select **With Magnetic Encoder** option.

On the **Card** tab select card orientation:
Landscape or portrait - Select "**Landscape**".

For P310j: with i Series ribbon, the ribbon, the printer will automatically detect which ribbon is installed and configure the Windows driver accordingly.

In the Ribbon tab, go to **Black Panel** area and select **Text Only**. This option allows the text printing using the Black Resin Panel from the Color Ribbon.

Close the **Zebra P310i Printer Properties** screen.

Now that you have loaded media and set up the printer driver, the P310i Printer is ready to print.

General information

Getting started

Operation

Printing a card

Cleaning

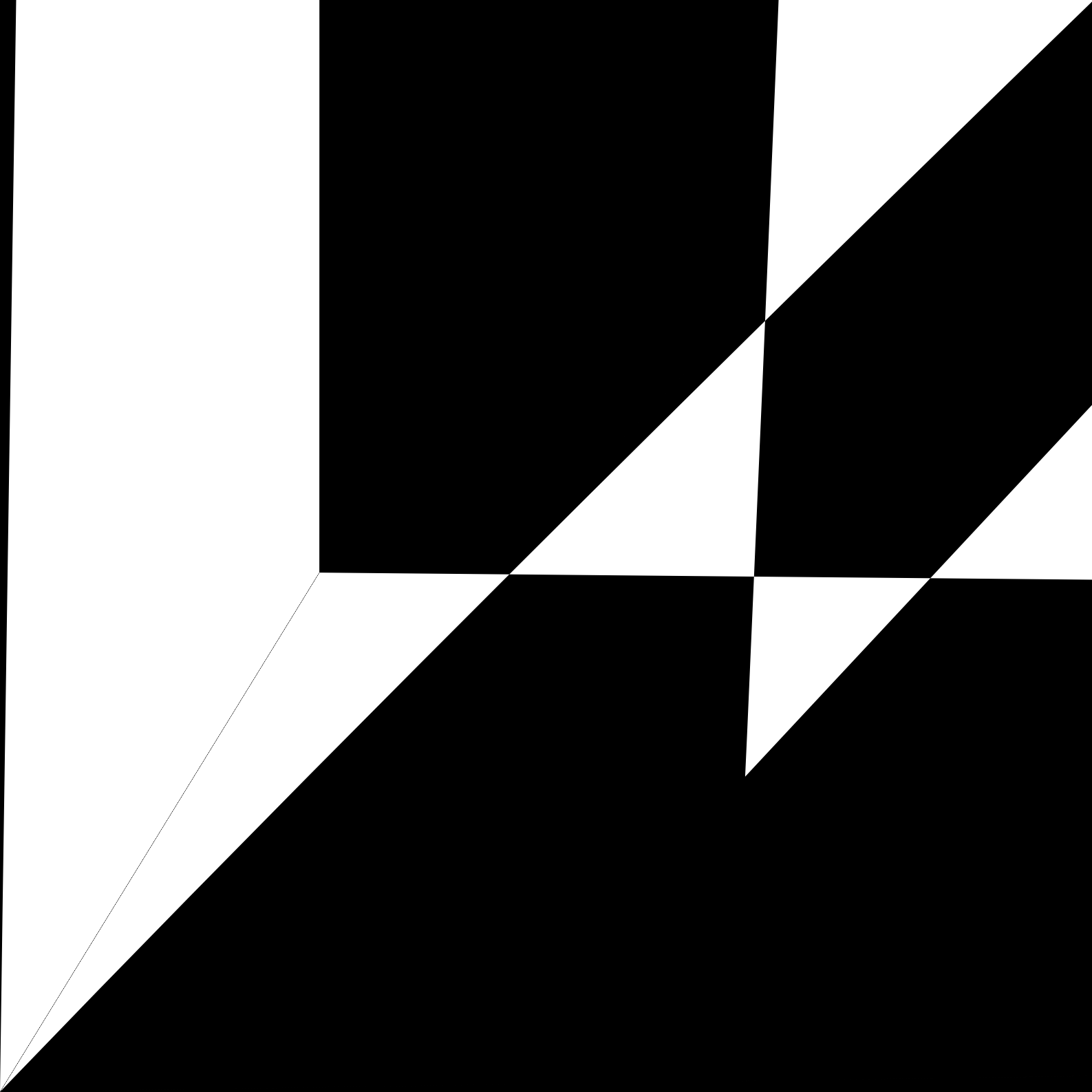
Troubleshooting

Specifications

Appendix A

Appendix B

Appendix C





General information

Getting started

Operation

Printing a card

Cleaning

Troubleshooting

Specifications

Appendix A

Appendix B

Appendix C

CLEANING



PROTECT YOUR FACTORY WARRANTY!

The recommended maintenance procedures must be performed to maintain your factory warranty.

Other than the recommended cleaning procedures described in this manual, allow only Zebra authorized technicians to service the P310i Printer.

NEVER loosen, tighten, adjust, or bend, etc. a part or cable inside the printer.

NEVER use a shop air compressor to remove particles in the printer.

P310i Plastic Card printer

General information

Getting started

Operation

Printing a card

Cleaning

Troubleshooting

Specifications

Appendix A

Appendix B

Appendix C

CLEANING SYSTEM

Your P310i Printer includes a simple cleaning system using the Pre-Saturated Cleaning Cards provided. The regular use of these cards will clean and maintain important parts of your printer: including the Print Head, and Transport Rollers and Magnetic Encoder Station (optional feature).

WHEN TO CLEAN

When the amber & red indicators flash.

(Every 1000 cards approx.)*

** Using 5-panel color ribbon (YMCKO).*

(Every 5000 cards approx.)*

** Using monochrome ribbon.*

** Optional factory setting.*

HOW TO CLEAN

1. Leave power on.

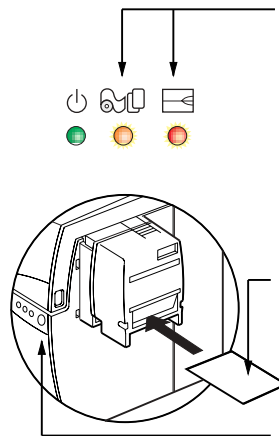
Open Cover and release Print Head Bracket to remove ribbon.

Close Print Head.

Close Cover. Remove cards from Card Cartridge.

2. Insert one Pre-Saturated Cleaning Card (provided) through slot on the side of the Card Cartridge.

3. Press the Panel Button for a few seconds. The card will feed into printer and carry out the cleaning process. Repeat the process with a new Cleaning Card if necessary.



Note: For cleaning prior to the WHEN TO CLEAN signal, press the Panel Button for 3 seconds to start the cleaning process (Repeat first steps 1 & 2 above).

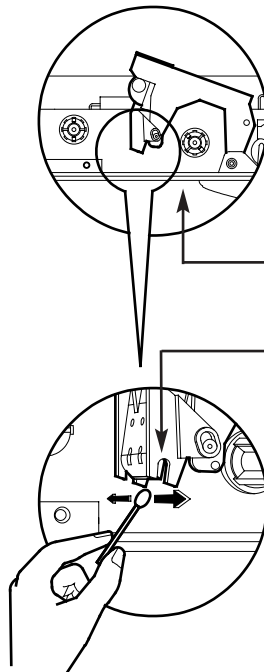


Although the amber and red indicators will keep flashing until the cleaning process has been performed, the printer will continue to operate.

[General information](#)[Getting started](#)[Operation](#)[Printing a card](#)[Cleaning](#)[Troubleshooting](#)[Specifications](#)[Appendix A](#)[Appendix B](#)[Appendix C](#)

CLEANING THE PRINT HEAD

A cleaning using the Cleaning Cards usually suffices. However, a separate Print Head cleaning using swabs can remove more stubborn deposits when print anomalies persist. To avoid deposits, only use foam-tipped swabs.



1. Turn power OFF. Raise Print Head and remove the Ribbon.

2. Clean Print Head by moving alcohol-moistened swab tip side-to-side across Print Head elements. Only use moderate force. (To reorder swabs see Appendix C).

3. Turn power ON. Allow two minutes for the print head components to dry before resume printing.



Never use a sharp object to scrape deposits from the print head. Permanent damage will result.

General information

Getting started

Operation

Printing a card

Cleaning

Troubleshooting

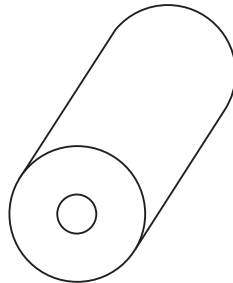
Specifications

Appendix A

Appendix B

Appendix C

CARD CLEANING CARTRIDGE

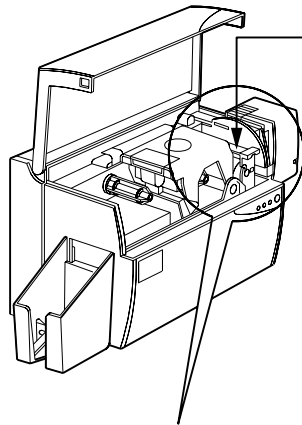


Your P310i Printer also has a Card Cleaning Cartridge. This item cleans the cards entering the printer. To ensure print quality, the cleaning roller requires periodic replacements.

WHEN TO MAINTAIN

Replace the cleaning cartridge roller each time you install a new ribbon. A cleaning roller is included with every True Colors ribbons.

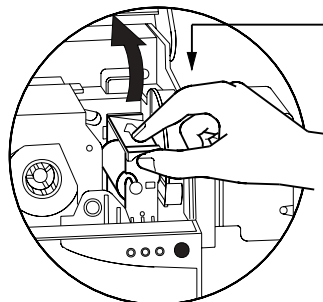
**If a cleaning card will be run, use the Cleaning Card before replacing adhesive Cleaning Roller.*



HOW TO MAINTAIN

1. Open Cover and locate Cleaning Cartridge.

2. Gently remove by rotating up and away from printer.



Continued on next page...

P310/ Plastic Card printer

General information

Getting started

Operation

Printing a card

Cleaning

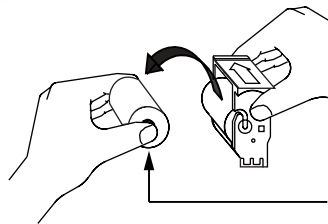
Troubleshooting

Specifications

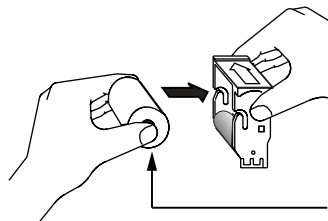
Appendix A

Appendix B

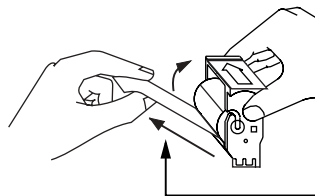
Appendix C



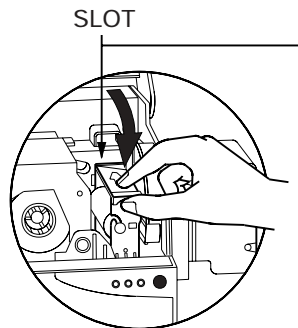
3. Remove Cleaning Roller from Cartridge and discard.



4. Install new Cleaning Roller into Cartridge*. To avoid contamination, always hold the Cleaning Roller assembly by the ends.



5. Carefully peel off wrapper from new Cleaning Roller while in Cartridge.



6. To replace Cartridge into printer: Make sure the arrow on top of the assembly is facing toward the rear of the printer. Hook assembly into slot on printer and rotate down. Ensure the assembly locks in place.

DO NOT touch the roller surface that contacts the card.

7. Close Cover.

* See Appendix C for replacement Cleaning Rollers.



Although the amber and red indicators will keep flashing until maintenance has been performed, the printer will continue to operate.



General information

Getting started

Operation

Printing a card

Cleaning

Troubleshooting

Specifications

Appendix A

Appendix B

Appendix C

TROUBLESHOOTING

The following offers causes or solutions to symptoms related to improper operation. Check this table when experiencing any loss of operation or print quality. Note that the LEDs appear white for ON, dark for OFF, and circled with radial lines for FLASHING.

PROBLEMS / DESCRIPTION	REASON / SOLUTION
<p>AMBER INDICATOR ILLUMINATES</p> <p>Alert: cards <i>The printer stops and an error comes up in the Windows application program.</i></p>	<ol style="list-style-type: none"> 1. Check for Cards in Cards Cartridge. 2. Check Card Thickness Control setting. 3. Press the Panel Button for 1 second. The printing job will restart.
<p>AMBER INDICATOR FLASHES</p> <p>Alert: ribbon <i>The printer stops and an error comes up in the Windows application program.</i></p>	<ol style="list-style-type: none"> 1. Check ribbon. 2. Load new ribbon. 3. Ribbon will automatically synchronize and printing will restart with new card



P310/ Plastic Card printer

General information

Getting started

Operation

Printing a card

Cleaning


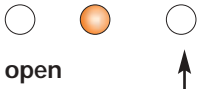







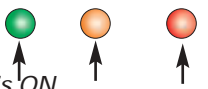
Troubleshooting

Specifications

Appendix A

Appendix B

Appendix C

<p>RED INDICATOR ILLUMINATES</p>  <p>Printer alert: Print Head Bracket open Card Jam Ribbon Jam Command Error <i>The printer stops working.</i></p> 	<ol style="list-style-type: none"> 1. Check Print Head Bracket is closed. 2. Check if you are using correct card type (see Technical Specifications). 3. Check Card Thickness Control Lever is properly adjusted for correct card thickness (see Chapter 2 - Loading Cards) 4. If two cards are fed into printer at same time: <ul style="list-style-type: none"> - Open cover & remove Card Cleaning Cartridge, empty feeder, pull jammed cards out. Replace Card Cleaning Cartridge. - remove cards from Card Cartridge, shuffle them and replace. 5. Check ribbon is loaded correctly inside printer. 6. Check command.
<p>RED INDICATOR FLASHES</p>  <p>Magnetic Encoder alert: <i>The printer ejects card and stops</i></p> 	<ol style="list-style-type: none"> 1. Check that you are using correct magnetic card type (for low or high corcivity encoding). 2. Verify Command Syntax. 3. Call technical support.
<p>AMBER & RED INDICATORS FLASH</p>  <p>Cleaning alert: <i>The printer needs cleaning</i></p> 	<ol style="list-style-type: none"> 1. Printer cleaning required (see Chapter 4 - Cleaning)
<p>ALL INDICATORS FLASH</p>  <p>Print Head alert: Cool down mode <i>Printing stops</i></p> 	<ol style="list-style-type: none"> 1. Printing will restart automatically after a few seconds.
<p>NO INDICATOR ILLUMINATES</p>  <p>Power cord: <i>The power switch is ON</i></p> 	<ol style="list-style-type: none"> 1. Make sure power cord is plugged in properly at both ends. 2. Call technical support.



P310i Plastic Card printer

General information

Getting started

Operation

Printing a card

Cleaning

Troubleshooting

Specifications

Appendix A

Appendix B

Appendix C

<p>CARDS HAVE 'SCRATCH LINES' MISSING PRINTING</p> <p>Incorrect rolled ribbon Dust Print Head <i>There are non-printed horizontal lines (white) on card surfaces.</i></p>	<ol style="list-style-type: none"> 1. In correct position of ribbon. Check ribbon is properly rolled onto the ribbon core and there are no pleats. 2. There may be dust on the print head (see Chapter 4 - Cleaning). 3. An element on the print head may be scratched or burnt. Contact technical support for print head replacement information.
<p>POOR PRINTING QUALITY</p> <p>Dust on the print head. Contrast & Intensity values for P310i: <i>Printing shows very pale or inconsistent results.</i></p>	<ol style="list-style-type: none"> 1. There may be dust or embedded contaminations on elements of the print head (see Chapter 4 - Cleaning). 2. Contrast and/or intensity colors for P310i may be set to high values for P310i in software or with programming.
<p>PRINTING HAS VOIDS</p> <p>Dust inside printer Contamination on card surfaces <i>Small pots on the printed card with a non-printed area or a different printed color.</i></p>	<ol style="list-style-type: none"> 1. This may be caused by dust inside the printer and/or a dirty Cleaning Roller Assembly (see Chapter 4 - Cleaning). 2. This may be caused by contamination on the card surface. Check that cards are stored in a dust free environment.

Ribbon Errors: Check that the print ribbon has not 'run out'. Lock and then unlock the print head assembly; this resynchronises the ribbon automatically. When using a color ribbon, it should advance automatically so that the leading edge of the Yellow panel is beneath the print head. Ensure that the correct ribbon type has been specified in the Windows driver.

Card Feed & Mechanical Errors: Ensure that the card thickness adjustment has been set-up correctly to allow one card to feed.

Magnetic Encoding Errors: Check that the cards are inserted correctly in the printer. Ensure that the cards are low or high coercivity as required, and are set-up correctly in the printer driver (Appendix A).

Cleaning Alert: The printer has counted the number of cards printed and has automatically flagged that a cleaning routine needs to be carried out.



General information

Getting started

Operation

Printing a card

Cleaning

Troubleshooting

Specifications

Appendix A

Appendix B

Appendix C

TECHNICAL SPECIFICATIONS

General

- High speed printing, over 140 cards/hour edge to edge in full color (YMCKO) throughput
- High speed printing, over 1000 cards/hour throughput (K-resin ribbon)
- Small footprint
- Windows Drivers for 95/98 and NT 4.0 / 2000
- One year printer warranty
- One year (unlimited passes) print head warranty
- Powerful EPCL (Zebra Printer Program Command Language)

Colour Printing

- Color dye sublimation or monochrome thermal transfer printing
- 25 seconds per card edge to edge in full color (YMCKO)
- 4 seconds in monochrome
- 300 dpi (11.8 dots/mm) print resolution
- Edge to edge printing standard

Bar Codes

- Code 39
- Code 128 B & C with & without check digit
- 2 of 5 & 2 of 5 industrial
- UPCA
- EAN8 & EAN13
- PDF 417 2D bar code and other symbologies available (Not resident in printer)

rd
oting
ons



P310i Plastic Card printer

General information

Getting started

Operation

Printing a card

Cleaning

Troubleshooting

Specifications

Appendix A

Appendix B

Appendix C

*Ribbons**

- Monochrome: 1500 cards/roll
 - Monochrome colors: black, red, blue, green, silver, gold, white.
- For P310i only
- K-resin + O: 800 cards/roll
 - K-dye + O: 800 cards/roll
 - YMCKO: 350 cards/roll

Overlay varnish

- Thermal transfer
- 4 microns thick
- Clear and holographic options:
 - Clear
 - Genuine/Secure Hologram
 - Pcard hologram
 - Custom Hologram

Interfaces

- Parallel Standard (cable included)
- RS-232C Serial (Option)
- USB (Optional)

Mechanical

- Width: 11.8" (315 mm†)
- Depth: 7.75" (198mm†)
- Height: 8.7" (220 mm†)
- Weight: 13.4 lbs (6.1 kg)

Electrical

- 110 ~ 230 Volts AC, 60 ~ 50 Hz
- FCC Class A, CE, UL, and CUL approved

Environmental

- Operating Temperature: 60 to 86°F (15 to 30°C)
- Operating Humidity: 20 to 65% non condensing
- Storage Temperature: -23 to 158°F (-5 to 70°C)
- Storage Humidity: 20 to 70% non condensing
- Ventilation: Free air

* Thermal transfer (Resin) ribbons offer more durability than dye sublimation, with greater resistance to scratches and UV-induced fading.

Dye Sublimation printing requires dye sublimation ribbons, with either black or cyan, magenta, and yellow (plus black resin) panels.

† Measured without card output hopper.



P310/ Plastic Card printer

Options

- USB port
- RS-232C serial port
- Smart Card Contact Station (30 mil cards only)
- Magnetic Encoder (30 mil cards only)
- Cleaning supplies
- Service Manual



“i Series” Printers requires the use of “i Series” ribbons for full color printing

Refer to the Appendix C for more information about Card and Ribbon Media available from Zebra Technologies Corp.

General information

Getting started

Operation

Printing a card

Cleaning

Troubleshooting

Specifications

Appendix A

Appendix B

Appendix C

APPENDIX A - MAGNETIC CARD STRIPE ENCODER

General information

Getting started

Operation

Printing a card

Cleaning

Troubleshooting

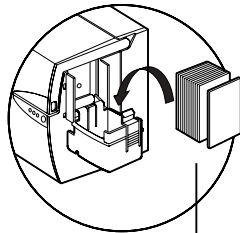
Specifications

Appendix A

Appendix B

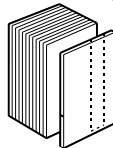
Appendix C

Operation and maintenance requirements for the P310i Printer with the optional magnetic card stripe encoder.
(See Chapter 2 for location).
The magnetic encoder can be set for either high or low coercivity.



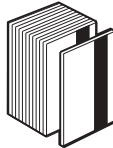
The magnetic encoder is a factory installed item with the read/write head positioned below the card path, available with HICO encoding or LOCO encoding.

STRIPE
DOWN



When loading cards into the Card Cartridge, please ensure that the magnetic stripe is facing towards the printer and closest to the rear.

STRIPE
UP



Also available are Printer models with the Magnetic Read/Write head positioned above the card path, with HICO encoding or LOCO encoding.

When loading cards, please ensure that there is a magnetic stripe.

Approved HICO & LOCO PVC Cards are available. (See Appendix C).

SAMPLE ENCODING PROGRAM

Refer to Programmer's manual (Part number 98001-001)



ONLY USE cards that comply with ISO 7810 & 7811 standards for magnetic stripe cards. The magnetic stripe must be flush to the surface of the card to work properly. Never use taped-on magnetic stripes.

P310/ Plastic Card printer

General information

Getting started

Operation

Printing a card

Cleaning

Troubleshooting

Specifications

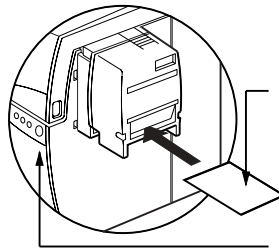
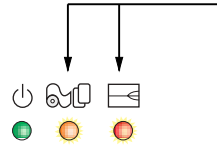
Appendix A

Appendix B

Appendix C

MAGNETIC ENCODER CLEANING

The read/write head requires periodic cleaning to maintain errorfree encoding.



WHEN TO CLEAN

When the amber & red indicators flash.

(Every 1000 cards* approx.)

* Using 5-panel color ribbon (YMCKO).

*Optional factory setting.

HOW TO CLEAN

1. Leave power on.

Open Cover and release Print Head Bracket to remove ribbon.

Close Print Head.

Close Cover. Remove cards from Card Cartridge.

2. Insert one Pre-Saturated Cleaning Card (provided) through slot on the side of the Card Cartridge.

3. Press the Panel Button for a few seconds. The card will feed into printer and carry out the cleaning process. Repeat the process with a new Cleaning Card if necessary.

Note: For cleaning prior to the WHEN TO CLEAN signal, press the Panel Button for 3 seconds to start the cleaning process (Repeat first steps 1 & 2 above).



Although the amber and red indicators will keep flashing until the cleaning process has been performed, the printer will continue to operate.

ISO STANDARD ENCODING

Track #	Field Separator	Track density	Valid Characters	# of characters
1	^	210 BPI*	Alphanumeric (ASCII 20-95†)	79‡
2	=	75 BPI*	Numeric (ASCII 48-62)	40‡
3	=	210 BPI*	Numeric (ASCII 48-62)	107‡

* Bit per inch

† Except the '?' character

‡ Including Start, Stop and LCR characters. Also note that these 3 characters are automatically managed by the magnetic encoder according to the ISO Standard Norms.

NOTE: Refer to the Card Printer Programmer's Manual for complete programming information.



APPENDIX B - SMART CARD CONTACT STATION

General information

Getting started

Operation

Printing a card

Cleaning

Troubleshooting

Specifications

Appendix A

Appendix B

Appendix C

This section contains information on the additional operations of the P310i Printers with Smart Card Contact Stations. (See Chapter 2 for location.)

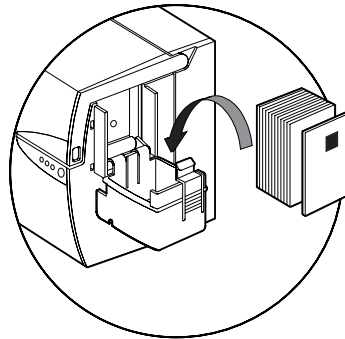
INTRODUCTION

Smart Cards can have a built-in microcomputer and a battery. Card Memory can store fingerprints, voice recognition patterns, medical records and other such data. The P310i printer may be equipped with an optional contact station for programming Smart Cards (ISO 7816). This printer model responds to commands that position the cards at the contact station, where the printer connects to the contacts on the Smart Cards. All other printer operations remain the same as the standard P310i model.



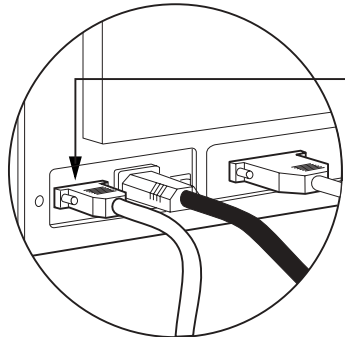
P310/Plastic Card printer

- General information
- Getting started
- Operation
- Printing a card
- Cleaning
- Troubleshooting
- Specifications
- Appendix A
- Appendix B
- Appendix C



MEDIA LOADING ORIENTATION

Orient the cards with the Smart Card Chip at the top of the card and facing away from the printer.



SMART CARD CONTACT STATION INTERFACE

When a command to the parallel printer interface sends a card to the Smart Card Contact Station, the printer connects the Smart Card Contact Station to the female DB-9 connector on the rear of the printer.

An attached external Smart Card Programmer can be used to program Smart Card chips.



DO NOT position printing over the Smart Card Chip.

DB - 9 PINS	SMART CARD CONTACT POINTS	DB - 9 PINS	SMART CARD CONTACT POINTS
1	C1 (VCC)	6	C6 (Vpp)
2	C2 (Reset)	7	C7 (I/O)
3	C3 (Clock)	8	C8 (RFU)
4	C4 (RFU)	9	(GND when chip is at station)
5	C5 (GND)		



APPENDIX C - ACCESSORIES & SUPPLIES

General information

Getting started

Operation

Printing a card

Cleaning

Troubleshooting

Specifications

Appendix A

Appendix B

Appendix C

Please contact your Zebra-authorized dealer to place an order for accessories and supplies.

RIBBONS

The following ribbons may be used in the P310i Printer:

Monochrome Resin Ribbons (Sold by the Roll)		
Part Number	Description	
800015-401	Black	1000 images
800015-402	Red	1000 images
800015-403	Green	1000 images
800015-404	Blue	1000 images
800015-406	Gold	1000 images
800015-407	Silver	1000 images
800015-409	White	1000 images
800015-485	Scratch-off Grey	840 images

Color Ribbons (Sold by the Roll)		
Part Number	Description	
800015-440	5-Panel Color Ribbon (YMCKO)	200 images
800015-540	5-Panel Color Ribbon (YMCKO)	330 images
800015-445	4-Panel Color Ribbon (YMCK)	250 images
800015-545	4-Panel Color Ribbon (YMCK)	400 images
800015-480	5-Panel Color Ribbon (YMCKK)	200 images
800015-470	3-Panel Color Ribbon (YMC)	300 images
800015-448	6-Panel Color Ribbon (YMCKOK)	170 images
800015-450	2-Panel Black Ribbon (K Dye + O)	500 images
800015-460	2-Panel Resin Ribbon (K Resin + O)	500 images

Note:

Y = Yellow, M = Magenta, C = Cyan, K = black, O = Overlay



P310i Plastic Card printer

General information

Getting started

Operation

Printing a card

Cleaning

Troubleshooting

Specifications

Appendix A

Appendix B

Appendix C

CARDS

The following cards are optimized for use in the P310i Printers:

Blank White Cards (Sold by the box)	
Part Number	Description
Premier Grade PVC	
104523-114	Card, 10 mil † (5 packs of 200)
104523-010	Card, 10 mil † adhesive back (5 packs of 200)
104523-111	Card, 30 mil † (5 packs of 100)
104523-112	Card, 30 mil -low coercivity Mag. Stripe (5 packs of 100)
104523-113	Card, 30 mil -High coercivity Mag. Stripe (5 packs of 100)
Premier Plus Grade (PVC composite 60/40)	
104524-101	Card, 30 mil (5 packs of 100)
104524-102	Card, 30 mil -low coercivity Mag. Stripe (5 packs of 100)
104524-103	Card, 30 mil -High coercivity Mag. Stripe (5 packs of 100)

Notes :

10mil = 0.254mm;30 mil = 0.762mm

10mil cards are recommended for single side printing monochrome and spot Color only.

Many other card types are also available; ask your dealer for more information.



General information

Getting started

Operation

Printing a card

Cleaning

Troubleshooting

Specifications

Appendix A

Appendix B

Appendix C

ACCESSORIES

Accessories available for P310i Printers appear below. Always refer to the part number when placing an order:

Printer Supplies	
Part Number	Description
105909-138	Card Printer parallel / Serial Interface Cable, ft (DB-25 male to DB-25 female)
105912-024	Card Cartridge
105912-038	Card Output Hopper
105909-112	Replacement Print Head Kit

Cleaning Supplies	
Part Number	Description
105909-169	Premier Cleaning Kit (25 swabs, 50 cards)
105912-003	Adhesive Cleaning Roller Kit (set of 5)
105912-002	Cleaning Cartridge, complete
104531-001	Cleaning Card Kit (box of 100 cards)
105909-057	Cleaning Swab Kit (box of 25 swabs)

Documentation	
Part Number	Description
980081-001	Pseries Programmer's Manual (English only)
980264-001	P310i Maintenance Manual (English only)

Miscellaneous	
Part Number	Description
105576-003	CD ROM with Windows Driver Wizard and User's manuals in English, French, Spanish, German, Portuguese, Italian, Chinese, Japanese.
806503-001	Card Punch (slots card for lapel clip)
104527-001	Lapel Clips (pack of 100 clips)



World Wide Sales and Support:

**Zebra Technologies Corporation
Card Imaging Division**
1001 Flynn Road
Camarillo, CA. 93012-8706.USA
Phone: +1 (805) 579 1800
Fax.: +1 (805) 579 1808
Toll Free in US: (800) 452-4056
e-mail: cards@zebracard.com

**Zebra Technologies Corporation
Card Imaging Division, (Europe, Middle East, Africa)**
The Valley Centre, Gordon Road, High Wycombe
Buckinghamshire HP13 6EQ, England
Phone: +44 (0) 870 241 1527
Fax.: +44 (0) 870 241 0765
e-mail: eurosales@zebracard.com

**Zebra Technologies Corporation
Card Imaging Division, Latin America**
6175 NW 153rd Street, Suite # 121
Miami Lakes, FL 33014 USA
Phone: +1 (305) 558 8470
Fax: +1 (305) 558-8485
e-mail: latinsales@zebracard.com

**Zebra Technologies Corporation
Card Imaging Division, Asie/Pacific**
1 Sims Lane #06-11
387355 Singapore
Phone: +65 84 20 322
Fax.: +65 84 20 514
e-mail: asiasales@zebracard.com

CORPORATE HEADQUARTERS
Zebra Technologies Corporation
333 Corporate Woods Parkway
Vernon Hills, IL 60061-3109 USA
Phone: +1 (847) 634 6700
FAX: +1 (847) 913 8766
e-mail: sales@Zebra.com

Website: www.zebracard.com

General information

Getting started

Operation

Printing a card

Cleaning

Troubleshooting

Specifications

Appendix A

Appendix B

Appendix C



Free Manuals Download Website

<http://myh66.com>

<http://usermanuals.us>

<http://www.somanuals.com>

<http://www.4manuals.cc>

<http://www.manual-lib.com>

<http://www.404manual.com>

<http://www.luxmanual.com>

<http://aubethermostatmanual.com>

Golf course search by state

<http://golfingnear.com>

Email search by domain

<http://emailbydomain.com>

Auto manuals search

<http://auto.somanuals.com>

TV manuals search

<http://tv.somanuals.com>