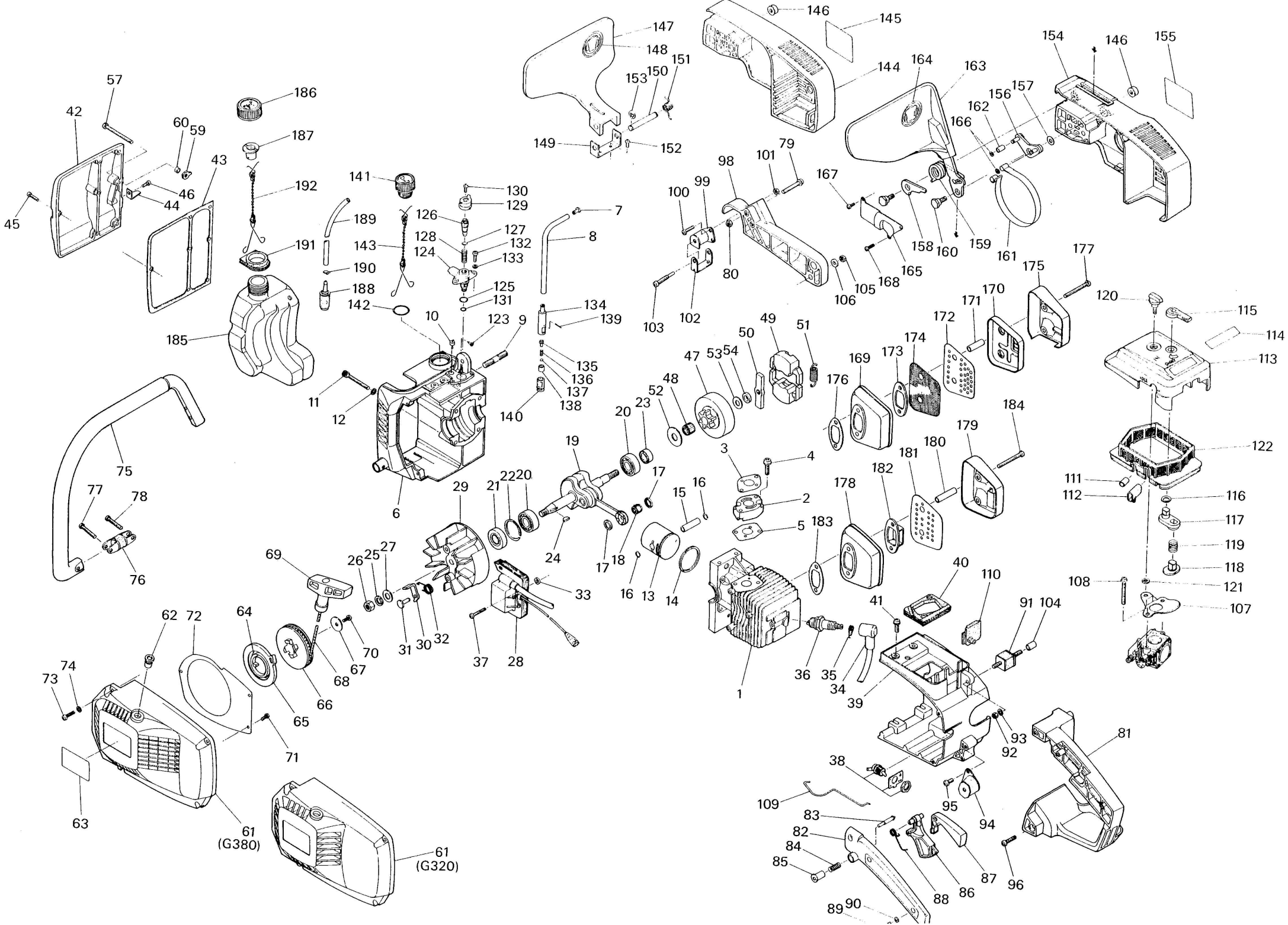


**KOMATSU
ZENOAH****SERVICE PARTS LIST**

CHAIN SAW**MODELS: G320AV
G320AVS
G380AV
G380AVS****KOMATSU ZENOAH CO.**

EFFECTIVE JUNE 1990

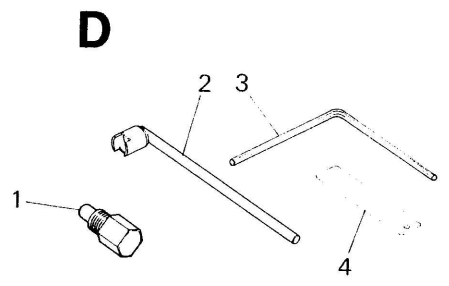
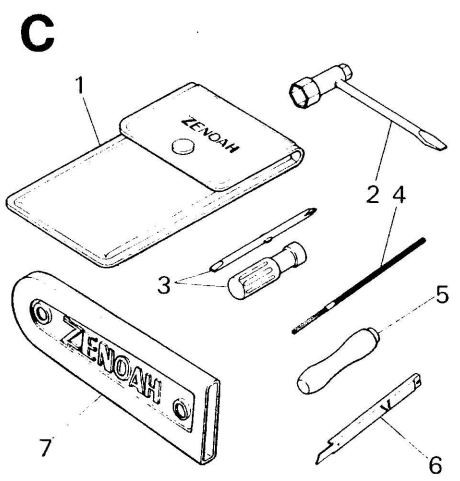
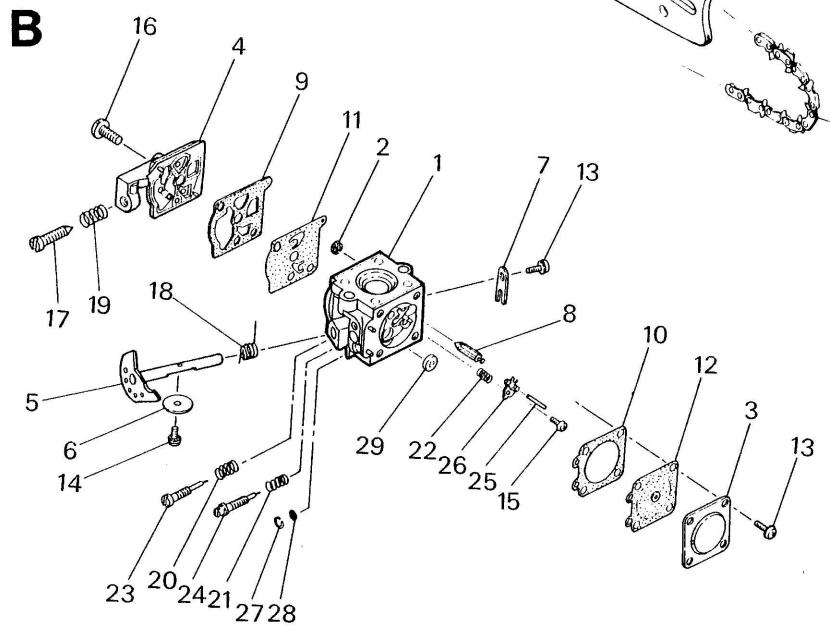
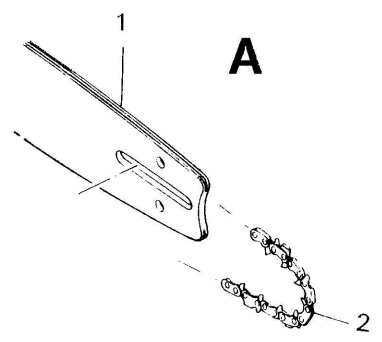


Key No.	Parts Number		Description	Q'ty	Remarks
	G320AV, AVS	G380AV, AVS			
1-1	3330-12114	3340-12114	CYLINDER	1	
2	3330-14111		INSULATOR	1	
3	3330-14120		GASKET	1	
4	0260-20520		SCREW	2	
5	3330-14131		GASKET	1	
	3332-21105	3342-21100	CRANKCASE COMP	1	
6	☆	☆	- CRANKCASE	1	☆3332-21105
7	3330-21123		- PIN, oil outlet	1	☆3342-21100
8	3330-21131		- PIPE, oil	1	
9	0250-50825		- STUD	2	
10	☆	☆	- BREATHER, oil tank	1	☆3332-21105
11	01252-30540		BOLT	4	☆3342-21100
12	0292-20510		WASHER	4	
13	3330-41111	3340-41112	PISTON	1	
14	1030-41220	3340-41211	RING, piston	1	
15	3330-41310	3304-41310	PIN, piston	1	
16	3310-41320		RING, snap	2	
17	3330-41332	1650-41510	WASHER, thrust	2	
18	---	3310-41410	BEARING, needle	1	
19	3330-42003	3340-42000	CRANKSHAFT COMP	1	
20	06030-06201		BEARING, ball	2	
21	1650-21220		SEAL, oil	1	
22	04065-03212		RING, snap	1	
23	1100-21210		SEAL, oil	1	
24	1260-43240		KEY	1	
25	3310-43210		WASHER, spring	1	
26	3310-43220		NUT	1	
27	01641-20812		WASHER	1	
	3330-71003		MAGNETO ASSY	1	
28	3330-71111		- MODULE	1	
	3330-71203		- ROTOR COMP	1	
29	☆		- ROTOR	1	☆3330-71203
30	3330-71221		- PAWL	2	
31	3330-71230		- PIN	2	
32	1260-71240		- SPRING	2	
33	1260-71260		SPACER, module	3	
34	1400-72111		CAP, spark plug	1	
35	1400-72121		SPRING, spark plug	1	
36	3330-71410		PLUG, spark	1	
37	0260-30425		SCREW	3	
38	3330-31400		SWITCH ASSY	1	
39	3332-31112		COVER, engine	1	
40	3330-31120		SEAL	1	
41	0260-20514		SCREW	4	
42	3332-29110		COVER, crankcase	1	
43	3330-29210		GASKET	1	
44	3330-29310		CATCHER, chain	1	
45	0261-00416		SCREW	7	
46	0261-00510		SCREW	1	
47	3330-51110		DRUM, clutch	1	3 8", 6T
	3343-51110		DRUM, clutch	1	OP 0.325", 7T
48	3310-51310		BEARING, needle	1	
	3330-51200		CLUTCH ASSY	1	
49	3330-51210		- SHOE, clutch	2	
50	3330-51220		- BOSS, clutch	1	
51	3330-51230		- SPRING, clutch	2	
52	3330-51310		WASHER, thrust (A)	1	
53	3330-51320		WASHER, thrust (B)	1	
54	3330-51410		SPACER, clutch	1	
57	0260-30425		SCREW, chain tensioning	1	
59	3330-53611		TENSIONER, chain	1	
60	3330-53710		PIPE	1	
	3332-75005	3342-75005	STARTER, recoil ASSY	1	
	3332-75104	3342-75104	- CASE, recoil COMP	1	
61	☆	☆	- CASE, recoil	1	☆3332-75104
62	3330-75121		- GUIDE, rope	1	☆3342-75104
63	3332-75131	3342-75131	- LABEL	1	
	3330-75201		- HOLDER, spring COMP	1	
64	☆		- SPRING, rewind	1	☆3330-75201
65	☆		- HOLDER, spring	1	☆3330-75201
66	3330-75311		- REEL, recoil COMP	1	
67	3330-75411		- WASHER	1	

Key No.	Parts Number		Description	Q'ty	Remarks
	G320AV, AVS	G380AV, AVS			
68	1260-75151		- ROPE	1	
69	3330-75420		- KNOB	1	
70	1490-32120		- SCREW	1	
71	0277-10408		- SCREW	3	
72	3340-75510		- BAFFLE	1	
73	0261-00416		SCREW	4	
74	0292-20408		WASHER	4	
	3330-32102		HANDLE, left SUB ASSY	1	
75	3330-32112		- HANDLE, left	1	
76	3330-32122		- JOINT (A)	1	
77	0277-10525		- SCREW	1	
78	0261-00525		SCREW	1	
79	0260-20530		SCREW	2	
80	0282-10503		NUT	2	
81	3330-33111		HANDLE, right	1	
	3330-33201		COVER, handle COMP	1	
82	☆		- COVER, handle	1	☆3330-33201
83	☆		- STOPPER	1	☆3330-33201
84	☆		- SPRING	1	☆3330-33201
85	☆		- KNOB	1	☆3330-33201
86	3343-33311		LEVER, throttle	1	
87	3330-33320		ARM, safety lock	1	
88	3330-33330		SPRING	1	
89	0277-10416		SCREW	3	
90	0292-20408		WASHER	3	
91	3330-33411		JOINT (B)	1	
92	0282-10503		NUT	1	
93	0292-20510		WASHER	1	
94	3330-33511		JOINT (C)	2	
95	0261-00510		SCREW	4	
96	2640-33530		BOLT	1	
98	3330-35111		BRACKET	1	
99	3330-35211		JOINT (D)	1	
100	0260-00416		SCREW	2	
101	0282-10402		NUT	2	
102	3330-35310		STOPPER	1	
103	3330-33530		BOLT	1	
104	3330-33450		PIPE	1	
105	3310-53331		NUT (B)	1	
106	1040-24330		SPACER	1	
107	3370-82130		BRACKET	1	
108	0260-10540		SCREW	2	
109	3330-82213		ROD, throttle	1	
110	3345-82311		GROMMET	1	
111	3330-82411		GROMMET (A)	1	
112	3330-82511		GROMMET (B)	1	
	3330-83006		COVER ASSY	1	
	3330-83103		- COVER COMP	1	
113	☆		- COVER	1	☆3330-83103
114	3330-83130		- PLATE	1	
115	☆		- LEVER, choke	1	☆3330-83103
116	☆		- WASHER, wave	1	☆3330-83103
117	☆		- ARM	1	☆3330-83103
118	☆		- PLATE, choke	1	☆3330-83103
119	☆		- SPRING	1	☆3330-83103
120	☆		- KNOB	1	☆3330-83103
121	☆		- RING	1	☆3330-83103
122	3370-83510		- ELEMENT	1	
123	3330-23121		VALVE	1	
	3330-23102		ADJUSTER ASSY	1	
124	☆		- BODY	1	☆3330-23102
125	07000-02011		- O-RING	1	
126	☆		- NEEDLE	1	☆3330-23102
127	☆		- O-RING	1	☆3330-23102
128	☆		- SPRING	1	☆3330-23102
129	☆		- CAP	1	☆3330-23102
130	☆		- SCREW	1	☆3330-23102
131	3330-23180		- O-RING	1	
132	0261-00412		SCREW	2	
133	01641-20405		WASHER	2	
	3330-24103		WEIGHT ASSY	1	
134	☆		- BODY	1	☆3330-24103

Key No.	Parts Number		Description	Q'ty	Remarks
	G320AV, AVS	G380AV, AVS			
135	☆		- GUIDE	1	☆3330-24103
136	☆		- SPRING	1	☆3330-24103
137	☆		- BALL	1	☆3330-24103
138	☆		- SEAT	1	☆3330-24103
139	☆		- PIN	1	☆3330-24103
140	3330-24172		- FILTER	1	
	3330-27102		CAP, oil ASSY	1	for AV MODEL
141	☆		- CAP, oil	1	☆3330-27102
142	07000-02020		- O-RING	1	
	3334-27001		CAP, oil ASSY	1	for AVS MODEL
	3330-27102		- CAP ASSY	1	
143	3334-27200		- CHAIN ASSY	1	
	3332-53101	3342-53101	COVER COMP	1	for AV MODEL
144	☆	☆	- COVER	1	☆3332-53101
145	3332-53121	3342-53121	- LABEL	1	☆3342-53101
146	3317-53211		NUT, bar clamp	2	
	3332-95500		GUARD COMP	1	for AV MODEL
147	☆		- GUARD, front hand	1	☆3332-95500
148	3356-31160		- LABEL	1	
149	3330-95521		BRACKET	1	
150	3330-95531		PIN	1	
151	3330-95540		SPRING	2	
152	0260-00408		SCREW	1	
153	0308-00060		RING, snap	2	
	3334-54004	3344-54004	CHAIN BRAKE ASSY	1	for AVS MODEL
	3334-54102	3344-54102	- COVER COMP	1	for AVS MODEL
154	☆	☆	- COVER	1	☆3335-54102
155	3334-54121	3344-54121	- LABEL	1	☆3344-54102
156	3330-96210		- ARM (A)	1	
157	3310-71150		- WASHER	1	
158	3330-96222		- ARM (B)	1	
159	3330-96231		- SPRING	1	
160	3330-96240		- BOLT	2	
161	3330-96251		- BAND	1	
162	3330-96260		- ROLLER	1	
	3334-54300		- GUARD COMP	1	
163	☆		- GUARD	1	☆3334-54300
164	3356-31160		- LABEL	1	
165	3330-96410		- PLATE	1	
166	0308-00030		- RING, snap	2	
167	0261-00416		- SCREW	1	
168	0261-00408		- SCREW	2	
	3330-15000		MUFFLER ASSY	1	for AV MODEL
169	3330-15110		- BASE	1	
170	3330-15121		- COVER(A)	1	
171	3330-15130		- SPACER	2	
172	3334-15140		- BAFFLE	1	
173	3330-15150		- PLATE	1	
174	3330-15160		- ARRESTER	1	
175	3330-15170		- COVER (B)	1	
176	3304-15210		- GASKET	1	
177	3330-15220		- BOLT	2	
	3334-15000		MUFFLER ASSY	1	for AVS MODEL
178	3330-15110		- BASE	1	
179	3334-15120		- COVER	1	
180	3334-15130		- SPACER	2	
181	3334-15140		- BAFFLE	1	
182	3334-15150		- PLATE	1	
183	3304-15210		- GASKET	1	
184	3334-15220		- BOLT	2	
	3330-86004		TANK, fuel ASSY	1	for AV MODEL
185	☆		- TANK, fuel	1	☆3330-86004
	3330-86202		- CAP, fuel ASSY	1	
186	☆		- CAP, fuel	1	☆3330-86202
187	3330-86222		- VALVE	1	
188	1260-85400		- FILTER COMP	1	
189	3330-86411		- PIPE, fuel	1	
190	1260-85460		- CLIP	1	
191	3330-86510		- SUPPORT	1	
	3334-86001		TANK, fuel ASSY	1	for AVS MODEL
	3330-86004		- TANK, fuel ASSY	1	
192	3334-86600		- CHAIN ASSY	1	

Key No.	Prt's Number		Description	Q'ty	Remarks	
	G320AV, AVS	G380AV, AVS				
A-1	3607-52110		BAR 14 (for 91SG)	1	Sprocket Nose	
	3602-52110		BAR 14 (for 91SG)	1	OP Hard Nose	
	3606-52111		BAR 12 (for 91SG)	1	OP Sprocket Nose	
	--	3608-52110	BAR 16 (for 91SG)	1	OP Sprocket Nose	
	--	3612-52110	BAR 16 (for 21BP)	1	Sprocket Nose	
	--	3314-97120	BAR 16 (for 91SG)	1	OP Hard Nose	
	--	3611-52110	BAR 14 (for 21BP)	1	OP Sprocket Nose	
	--	3607-52110	BAR 14 (for 91SG)	1	OP Sprocket Nose	
	--	3602-52110	BAR 14 (for 91SG)	1	OP Hard Nose	
	--	3610-52110	BAR 12 (for 21BP)	1	OP Sprocket Nose	
	2	3602-52210		CHAIN, for 14" bar	1	Oregon 91SG-52E
		3600-52210		CHAIN, for 12" bar	1	OP 91SG-46E
		--	3604-52210	CHAIN, for 16" bar	1	Oregon 91SG-57E
		--	3612-52210	CHAIN, for 16" bar	1	OP 21BP-66E
--		3611-52210	CHAIN, for 14" bar	1	OP 21BP-60E	
--		3602-52210	CHAIN, for 14" bar	1	OP 91SG-52E	
--		3610-52210	CHAIN, for 12" bar	1	OP 21BP-54E	
B-1	3330-81002	3340-81002	CARBURETOR ASSY	1		
			· BODY ASSY	1	3330-81002 3340-81002	
	2	3306-81380	· SCREEN, inlet	1		
	3	3310-81280	· COVER, metering diaphragm	1		
	4	3330-81120	· COVER, pump	1		
	5	3330-81370	· SHAFT, throttle ASSY	1		
	6	1282-81340	· VALVE, throttle	1		
	7	3310-81390	· CLIP, throttle shaft	1		
	8	3310-81311	· VALVE, inlet	1		
	9	3330-00601	· GASKET DIAPHRAGM KIT	1		
	9	3304-81140	· GASKET, pump	1		
	10	3310-81290	· GASKET, metering diaphragm	1		
	11	3304-81150	· DIAPHRAM, pump	1		
	12	3310-81260	· DIAPHRAGM ASSY	1		
	13	3310-81351	· SCREW ASSY	5		
	14	3310-81360	· SCREW, shutter	1		
	15	3310-81240	· SCREW metering lever pin	1		
	16	3310-81130	· SCREW, pump cover	1		
	17	1145-81540	· SCREW, idle adj.	1		
	18	3310-81411	· SPRING, throttle return	1		
	19	1282-81460	· SPRING, idle adj.	1		
	20	3310-81320	· SPRING, high needle adj.	1		
	21	3310-81160	· SPRING, low needle	1		
	22	1262-81270	· SPRING, metering lever	1		
	23	3330-81330	· NEEDLE, high speed	1		
	24	3378-81170	· NEEDLE, low speed	1		
	25	3310-81250	· PIN, metering lever	1		
	26	3310-81230	· LEVER, metering	1		
	27	3304-81440	· RING, screen retaining	1		
28	1282-81560	· SCREEN, check valve	1			
29	3304-81420	· PLUG, welck	1			
	3332-91000	3343-91000	TOOL SET.	1		
C-1	1820-91111		· BAG	1		
	3317-91130		· WRENCH, combination	1		
	1030-91340		· DRIVER	1		
	3381-91510	3320-97310	· FILE, round	1		
	3381-91530		· GRIP	1		
	3310-91540		· GAUGE, chain setting	1		
	3310-97112	3314-97111	PROTECTOR	1		
D-1	3320-96410		STOPPER, piston	1	OP	
	3330-97110		WRENCH, clutch	1	OP	
	3330-97210		WRENCH, crankcase	1	OP	
	3330-97310		GAUGE, air gap	1	OP	



Free Manuals Download Website

<http://myh66.com>

<http://usermanuals.us>

<http://www.somanuals.com>

<http://www.4manuals.cc>

<http://www.manual-lib.com>

<http://www.404manual.com>

<http://www.luxmanual.com>

<http://aubethermostatmanual.com>

Golf course search by state

<http://golfingnear.com>

Email search by domain

<http://emailbydomain.com>

Auto manuals search

<http://auto.somanuals.com>

TV manuals search

<http://tv.somanuals.com>