

IBM Netfinity EXP300 - Type 3531



Hardware Maintenance Manual



IBM Netfinity EXP300 - Type 3531



Hardware Maintenance Manual

Note: Before using this information and the product it supports, be sure to read the general information under "Notices" on page 81.

First Edition (March 2000)

INTERNATIONAL BUSINESS MACHINES CORPORATION PROVIDES THIS PUBLICATION "AS IS" WITHOUT WARRANTY OF ANY KIND, EITHER EXPRESS OR IMPLIED, INCLUDING, BUT NOT LIMITED TO, THE IMPLIED WARRANTIES OF MERCHANTABILITY OR FITNESS FOR A PARTICULAR PURPOSE. Some states do not allow disclaimer of express or implied warranties in certain transactions, therefore, this statement may not apply to you.

This publication could include technical inaccuracies or typographical errors. Changes are periodically made to the information herein; these changes will be incorporated in new editions of the publication. IBM may make improvements and/or changes in the product(s) and/or the program(s) described in this publication at any time.

This publication was developed for products and services offered in the United States of America. IBM may not offer the products, services, or features discussed in this document in other countries, and the information is subject to change without notice. Consult your local IBM representative for information on the products, services, and features available in your area.

Requests for technical information about IBM products should be made to your IBM reseller or IBM marketing representative.

Netfinity EXP 300 - Type 3531

© COPYRIGHT INTERNATIONAL BUSINESS MACHINES CORPORATION, 2000. All rights reserved.

Note to U.S. Government Users — Documentation related to restricted rights — Use, duplication or disclosure is subject to restrictions set forth in GSA ADP Schedule Contract with IBM Corp.

About this manual

This manual contains diagnostic information, a Symptom-to-FRU index, service information, error indications, and configuration information for the Netfinity EXP300 – Type 3531 storage expansion unit.

Important: This manual is intended for trained servicers who are familiar with IBM PC Server products.

Important safety information

Be sure to read all caution and danger statements in this book before performing any of the instructions.

Leia todas as instruções de cuidado e perigo antes de executar qualquer operação.

注意和危险声明 (简体中文)

重要事项:

本书中的所有注意和危险声明之前都有编号。该编号用于英语的注意或危险声明与 *Safety Information* 一书中可以找到的翻译版本的注意或危险声明进行交叉引用。

例如，如果一个注意声明以编号 1 开始，那么对该注意声明的翻译出现在 *Safety Information* 一书中的声明 1 中。

在按说明执行任何操作前，请务必阅读所有注意和危险声明。

注意及危险声明 (中文)

重要資訊：

本書中所有「注意」及「危險」的聲明均以數字開始。此一數字是用來作為交互參考之用，英文「注意」或「危險」聲明可在「安全資訊」(Safety Information) 一書中找到相同內容的「注意」或「危險」聲明的譯文。

例如，有一「危險」聲明以數字 1 開始，則該「危險」聲明的譯文將出現在「安全資訊」(Safety Information) 一書的「聲明」1 中。

執行任何指示之前，請詳讀所有「注意」及「危險」的聲明。

Prenez connaissance de toutes les consignes de type Attention et

Danger avant de procéder aux opérations décrites par les instructions.

Lesen Sie alle Sicherheitshinweise, bevor Sie eine Anweisung ausführen.

Accertarsi di leggere tutti gli avvisi di attenzione e di pericolo prima di effettuare qualsiasi operazione.

주의 및 위험 경고문(한글)

중요:

이 책에 나오는 모든 주의 및 위험 경고문은 번호로 시작됩니다. 이 번호는 *Safety Information* 책에 나오는 영문판 주의 및 위험 경고문과 한글판 주의 및 위험 경고문을 상호 참조하는데 사용됩니다.

예를 들어 주의 경고문이 번호 1로 시작되면 *Safety Information* 책에서 이 주의 경고문은 경고문 1번 아래에 나옵니다.

지시를 따라 수행하기 전에 먼저 모든 주의 및 위험 경고문을 읽도록 하십시오.

Lea atentamente todas las declaraciones de precaución y peligro ante de llevar a cabo cualquier operación.

Online support

Use the World Wide Web (WWW) to download Diagnostic, BIOS Flash, and Device Driver files, and Documents.

The Web address is:

<http://www.ibm.com/support>

Contents

About this manual	iii
Important safety information	iii
Online support	iv

Chapter 1.Netfinity EXP300 Type 3531 . . .	1
---	----------

Chapter 2.Related service information . .	41
--	-----------

Chapter 1. Netfinity EXP300 Type 3531

Features	1	Front controls, indicators, and devices	14
Clustering support	2	Rear controls, indicators, and connectors	15
Diagnostics and Test Information	3	Power-supply controls, indicators, connectors	15
Additional Service Information	3	ESM board user controls	16
Turning the expansion unit on and off	3	Working with hot-swap drives	17
Turning on the expansion unit	3	Installing hot-swap drives	18
Turning off the expansion unit	4	Replacing hot-swap drives	20
Turning off the expansion unit in an emergency	5	Working with hot-swap power	21
Turning on the expansion unit after an emergency	5	Removing a hot-swap power supply/fan unit	21
Operating specifications	5	Installing a hot-swap power supply / fan unit	22
System-management software support	6	Working with cards and boards	22
Symptom-to-FRU index	7	Replacing a bridge card	22
Locations	8	Replacing the switch card	23
Getting started	8	Replacing an ESM board	24
Preparing the expansion unit	9	Conversion of EXP300 to a tower or from a tower	25
Removing CRUs	9	Installing the EXP300 in a rack	26
Setting the interface options and ID settings	10	Installing the EXP300 in a Tower	29
External option switches	10	Installing identification labels	31
Internal option switches	10	Installing the EXP300 in a NetBAY enclosure	33
Unit ID dial switch	11	Completing the installation	35
Netfinity EXP300 bays	12	Installing identification labels	35
Hot-swap drive bays	12	Cabling the expansion unit	36
Bridge card bay	12	Parts Listing	37
ESM and power supply bays	13	System	37
Switch card bay	13	Power Cords	39

Features

The IBM® Netfinity® EXP300 is a compact unit that provides high-capacity, small computer system interface (SCSI) disk storage. It supports up to 14 Ultra160 SCSI drives on a single or dual logical bus. It delivers fast, high-volume data transfer, retrieval, and storage functions across multiple drives, to multiple hosts. The expansion enclosure is designed for continuous, reliable service; the modular, redundant disk drives, power supplies with built-in fans, and environmental services monitor (ESM) boards use hot-swap technology for easy replacement without turning off the expansion unit.

The expansion unit supports Ultra160 SCSI for the host and drive interfaces and it is designed for easy installation and integration into a variety of system environments.

The following table summarizes the features of the expansion unit. For a list of the operating specifications, such as weight, height, and heat output, see “Operating specifications” on page 5.

<p>General</p> <ul style="list-style-type: none"> • Modular components: <ul style="list-style-type: none"> — High-capacity disk drives — Environmental services monitor (ESM) boards — Power supplies with built-in fans • Technology: <ul style="list-style-type: none"> — Supports disk array technology — Supports clustering — SCSI (Ultra160) host interface — Redundant data storage, power and cooling system, and ESM boards — Hot-swap technology for drives, power supplies with built-in fans, and ESM boards 	<ul style="list-style-type: none"> • User interface: <ul style="list-style-type: none"> — Built-in power, activity, and fault indicators — Identification labeling on customer replaceable units (CRUs) rear indicator lights, switches, and connectors — Easy-to-replace drives, power supplies, ESM boards, and fans <p>Disk drive storage</p> <ul style="list-style-type: none"> • Current capabilities: <ul style="list-style-type: none"> — Maximum drives per expansion unit: 14 — Drives per SCSI bus: 7 — SCSI buses per unit: 2 — SCSI buses can be configured as one continuous SCSI bus. 	<p>ESM boards</p> <ul style="list-style-type: none"> • Technology and interfaces: <ul style="list-style-type: none"> — SCSI: Ultra160 — SCSI bus interface: Two 68-pin, Very High Density Connector Interface (VHDCI) connectors for SCSI bus cables
---	---	--

Clustering support

Clustering is a feature of the expansion unit. Clustering is a means of sharing SCSI buses and disk drives among SCSI controllers to provide redundancy of SCSI controllers and servers. This redundancy is important if a hardware component fails. If a hardware component fails after clustering has been set up, another server will take ownership of the disk drives or SCSI bus.

The IBM Netfinity EXP300 supports twin-tailed clustering. With twin-tailed clustering, you can connect two IBM ServeRAID[®] controllers to an EXP300 expansion unit. In the twin-tailed clustering environment, you can use dual-host controllers cabled separately to the EXP300 expansion unit; however, only a single logical bus of 13 drives is supported. Each SCSI device on a SCSI bus must have a unique ID. To prevent conflicts in a twin-tailed configuration, do not install a drive in the bay that uses SCSI ID 6 because your secondary SCSI ServeRAID controller is set to 6.

Service tip: If you use IBM ServeRAID controllers in a cluster configuration, the termination power LED on the back of the expansion unit is useful. The ServeRAID controller provides the signal for termination power. If the termination power LED is not lit, it indicates that a particular EXP300 expansion unit is not attached to a controller that is turned on. Make a note of which EXP300 expansion unit is attached to which server before the hardware is serviced.

Clustering requires additional hardware and specialized software. For more information, visit the IBM Netfinity Cluster Solutions Web site at:

<http://www.ibm.com/pc/us/netfinity/clustering>

Diagnostics and Test Information

Note: The service procedures are designed to help you isolate problems. They are written with the assumption that you have model-specific training on all computers, or that you are familiar with the computers, functions, terminology, and service-related information provided in this manual and the appropriate IBM PC/Netfinity Server Hardware Maintenance Manual.

The following is a list of problems and references for diagnosing the IBM Netfinity EXP300 - Type 3531.

Problem	Reference
Hard Disk Drive Numbering	See "Installing identification labels" on page 35
Error codes/Error messages	Refer to the Symptom-to-FRU index for the server that the Storage Expansion Unit you are servicing is connected to.
Expansion Unit options switches	See "Setting the interface options and ID settings" on page 10
Front controls and indications	See "Front controls, indicators, and devices" on page 14
Rear controls and indications	See "Rear controls, indicators, and connectors" on page 15
Tuning the power on and off	See "Turning the expansion unit on and off"
Power supply controls and indicators	See "Power-supply controls, indicators, connectors" on page 15

Additional Service Information

Turning the expansion unit on and off

This section contains instructions for turning the expansion unit on and off under normal and emergency circumstances.

If you are turning on the expansion unit after an emergency shutdown or power outage, refer to "Turning on the expansion unit after an emergency" on page 5.

Turning on the expansion unit

Use this procedure to turn on the power for the initial startup of the expansion unit.

1. Verify that:
 - a. All cables are properly attached.
 - b. Both power cords are plugged into the back of the expansion unit and into properly grounded electrical outlets.
 - c. All hard disk drives are locked securely in place.
 - d. All switches are set correctly: the internal option switches 1 through 4, external option switches 1 through 5, and the unit ID switch on the expansion unit. (See "Setting the interface options and ID settings" on page 10 for more information.)

2. Check the system documentation for all the hardware devices you intend to turn on and determine the proper power-on sequence.

Note: Be sure to turn on the IBM Netfinity EXP300 expansion unit before or at the same time as you turn on the server.

3. Turn on each device, based on this power-on sequence.
4. Turn on both power supplies on the back of the unit.

The expansion unit might take a few seconds to turn on. During this time, you might see the fault (amber) and the power (green) LEDs on the expansion unit turn on and off intermittently. When the power-on sequence is complete, only the power (green) LEDs on the front and back should remain on. If one or more fault (amber) LEDs remain lit, refer to “Symptom-to-FRU index” on page 7.

Attention: If you have data stored on the drives, label the drives before you remove them. Then, when you replace the drives, install each one in the same drive bay from which you removed it. Failure to do so will result in a loss of data.

Turning off the expansion unit

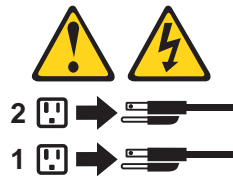
Attention: Except in an emergency situation, never turn off the power if any fault LEDs are lit on the expansion unit. Correct the fault before you attempt to turn off the power, using the proper troubleshooting or servicing procedure. This will ensure that the expansion unit will turn on correctly later. Refer to “Symptom-to-FRU index” on page 7.

Statement 5



CAUTION:

The power control button on the device and the power supply do not turn off the electrical current supplied to the device. The device also might have more than one power cord. To remove all electrical current from the device, ensure that all power cords are disconnected from the power source.



The expansion unit is designed to run continuously, 24 hours a day. Turn off the power only when at least one of the following is true:

- Instructions in a hardware or software procedure require you to turn off the power.
- A service technician tells you to turn off the power.
- A power outage or emergency situation occurs (see “Turning off the expansion unit in an emergency” on page 5).

Use the following procedure to turn off the expansion unit:

1. Power down the server attached to the expansion unit.

2. Make sure that all amber fault LEDs are off. If any fault LEDs are lit (drives, power supplies, or ESM boards), correct the problem before you turn off the power. For guidance, refer to “Symptom-to-FRU index” on page 7.
3. Turn off both power supplies.

Turning off the expansion unit in an emergency

Attention: Emergency situations might include fire, flood, extreme weather conditions, or other hazardous circumstances. If a power outage or emergency situation occurs, always turn off all power switches on all computing equipment. This will help safeguard your equipment from potential damage due to electrical surges when power is restored. If the expansion unit loses power unexpectedly, it might be due to a hardware failure in the power system or midplane (see “Symptom-to-FRU index” on page 7).

Use the following procedure to turn off the expansion unit during an emergency situation:

1. Power down the server attached to the expansion unit.
2. If you have time, stop all activity and check the LEDs (front and back). Make note of any fault LEDs that are lit so that you can correct the problem when you turn on the power again.
3. Turn off all power supplies; then, unplug the power cables from the expansion unit.

Turning on the expansion unit after an emergency

Use the following procedure to restart the expansion unit if you turned off the power supplies during an emergency shutdown, or if a power failure or a power outage occurred:

1. After the emergency situation is over or power is restored, check the expansion unit for damage. If there is no visible damage, continue with Step 2; otherwise, consult with customer to repair the unit.
2. After you have checked for damage, plug in the expansion-unit power cables and turn on the power switches.
3. Check the system documentation for the hardware devices you intend to turn on, and determine the proper power-on sequence.

Note: Be sure to turn on the IBM Netfinity EXP300 before or at the same time you turn on the system unit.

4. Turn on each device, based on the power-on sequence.
5. Turn on both power supplies on the back of the IBM Netfinity EXP300.
6. Only the power (green) LEDs on the front and back should be on. If one or more of the fault (amber) LEDs are on, refer to “Symptom-to-FRU index” on page 7 for instructions.
7. Use your installed software application as appropriate to check the status of the expansion unit.

Operating specifications

The following table summarizes the operating specifications of the expansion unit.

<p>Electrical input</p> <ul style="list-style-type: none"> • Sine-wave input (50 to 60 Hz) is required • Input voltage: <ul style="list-style-type: none"> — Low range: <ul style="list-style-type: none"> - Minimum: 90 V ac - Maximum: 127 V ac — High range <ul style="list-style-type: none"> - Minimum: 198 V ac - Maximum: 257 V ac — Input kilovolt-amperes (kVA) approximately: <ul style="list-style-type: none"> - Minimum configuration: 0.06 kVA - Maximum configuration: 0.45 kVA 	<p>Environment</p> <ul style="list-style-type: none"> • Air temperature: <ul style="list-style-type: none"> — Expansion unit on: 10° to 35° C (50° to 95° F) Altitude: 0 to 914 m (3000 ft) — Expansion unit on: 10° to 32° C (50° to 90° F) Altitude: 914 m (3000 ft.) to 2133 m (700 ft) • Humidity: 8% to 80% <p>Size (with front panel and without mounting rails)</p> <ul style="list-style-type: none"> • Depth: 53.8 cm (21.2 in) • Height: 12.8 cm (5 in) • Width: 44.7 cm (17.6 in) <p>Weight</p> <ul style="list-style-type: none"> • Standard expansion unit as shipped: 22.5 kg (49.5 lbs) • Typical expansion unit fully loaded: 36.1 kg (79.4 lbs) 	<p>Acoustical noise emissions values</p> <p>For open bay (no drives installed) and maximum system configurations (14 hard disk drives installed).</p> <ul style="list-style-type: none"> • Sound power (idling): <ul style="list-style-type: none"> — 5.6 bels (open bay) — 5.7 bels (typical) • Sound power (operating): <ul style="list-style-type: none"> — 5.6 bels (open bay) — 6.5 bels (typical) • Sound pressure (idling): <ul style="list-style-type: none"> — 44 dBA (open bay) — 47 dBA (typical) • Sound pressure (operating): <ul style="list-style-type: none"> — 44 dBA (open bay) — 54 dBA (typical) <p>These levels are measured in controlled acoustical environments according to ISO 7779 and are reported in accordance with ISO 9296. The declared sound power levels indicate an upper limit, below which a large portion of machines operate. Sound pressure levels in your location might exceed the average 1-meter values stated because of room reflections and other nearby noise.</p>
--	---	--

System-management software support

The Netfinity EXP300 provides software alert functions through the system monitor functions provided in the IBM Netfinity Manager, IBM Netfinity Director, and IBM ServeRAID manager software.

The following alerts are supported:

- Disk drive disabled
- Power supply failure
- Cooling failure
- IBM Netfinity EXP300 too hot
- Vital Product Data for subcomponents

Note: You must have the correct level of management software on your server to enable this functionality.

You must use ServeRAID version 4.10 or later for your ServeRAID controller to report status and alerts properly. To download the latest ServeRAID family software, visit the following IBM web site at: <http://www.ibm.com/pc/support>.

For up-to-date information about the IBM Netfinity Manager and Netfinity Director software support available for your EXP300, visit the following IBM Web site at: <http://www.ibm.com/pc/us/netfinity>

For Netfinity Manager users, download Netfinity Manager version 5.20.6 SP1 or later.

For Netfinity Director users, download Netfinity Director, UM Server extensions version 2.12 SP1.

Symptom-to-FRU index

This index supports Netfinity EXP300 – Type 3531 expansion units.

Use this chart to find solutions to problems that have definite symptoms.

Problem indicator	FRU/Action
Amber LED on Drive CRU	<ol style="list-style-type: none"> Failed drive Refer to “Replacing hot-swap drives” on page 20
Amber LED on ESM board	<ol style="list-style-type: none"> Failed ESM board Refer to “Replacing an ESM board” on page 24.
Amber LED on front panel	<ol style="list-style-type: none"> Indicates that a Fault LED somewhere on the expansion unit has been turned on. (Check for amber LEDs and CRUs.) Refer to “Rear controls, indicators, and connectors” on page 15
Amber LED on and green LED off	<ol style="list-style-type: none"> Turn on all power supplies Power supply
Amber and green LEDs on	<ol style="list-style-type: none"> Failed power supply
All green LEDs off	<ol style="list-style-type: none"> Check that all expansion unit power cables are plugged in and the power is on. If applicable, check that the main circuit breakers for the rack are turned on. Check the main circuit breaker and ac outlet. If the external switch 1 is set to Off, the SCSI controller must be cabled to the EXP300 and turned on. Power supply Mid-plane board
Amber LED flashing on Drive CRU	<ol style="list-style-type: none"> Drive rebuild or identity is in process.
Amber LED flashing on power supply	<ol style="list-style-type: none"> Power supply
Amber LED on and green dc power LED off on power supply	<ol style="list-style-type: none"> Turn power switch on Power supply

Problem indicator	FRU/Action
Amber LED on and green ac power LED off on power supply	<ol style="list-style-type: none"> 1. Make sure AC power is good at the source. 2. Power Cord 3. Power supply
Green LED on (Drive CRU ID=6)	<ol style="list-style-type: none"> 1. If not currently cluster configured, power cycle the Netfinity EXP300 to re-enable ID=6.
One or more green LEDs off (one or two drive CRUs)	(No activity to the drive. No action is required.)
One or more green LEDs off (all drive CRUs or those on one bus)	<p>(No activity to the drive. No action is required.)</p> <ol style="list-style-type: none"> 1. Check SCSI-bus cables and connections. 2. Use RAID management software to check the SCSI-bus status. 3. ESM board
One or more green LEDs off (front panel)	<ol style="list-style-type: none"> 1. Make sure the cables are plugged in and power supplies are turned on. 2. Power supply
Intermittent or sporadic power loss to the expansion unit	<ol style="list-style-type: none"> 1. Check the ac power source 2. Resecure all installed power cables and power supplies 3. Power supply
Unable to access drives on one or both SCSI buses	<ol style="list-style-type: none"> 1. Make sure SCSI cables are undamaged and properly connected. 2. Check the drive SCSI ID settings. Ensure that option switches 1 and 3 (inside the switch card) are set to the appropriate positions. Attention: Change switch positions only when your host server and expansion unit is turned off. 3. ESM board 4. Bridge card (All high address or all low address hard-disk drive failed)
Random errors	<ol style="list-style-type: none"> 1. Mid-plane

Locations

Getting started

You can install the EXP300 expansion unit in the following types of enclosures:

- An Electronic Industries Association (EIA) 310 standard rack cabinet
- The IBM Netfinity EXP300 Rack-to-Tower Conversion Kit
- An IBM Netfinity NetBAY enclosure

You will need a flat-blade screwdriver and a Phillips-head screwdriver to install your expansion unit. Each type of enclosure comes with general installation instructions for installing optional devices.

Before you begin, review the following assumptions:

- If you are installing the expansion unit in a rack, you have already installed the other components in the rack and moved the rack to its permanent operating location.
- You have already installed and configured the host controllers and appropriate host adapters.
- There are 68-pin VHDCI SCSI cables attached to the host controllers, ready for final connection to the expansion unit.
- The installation site meets all area, environmental, power, and site requirements for the expansion unit. Refer to the expansion unit requirements listed under “Operating specifications” on page 5.

Preparing the expansion unit

This section explains how to remove the CRUs and set the interface options to prepare the expansion unit for installation.

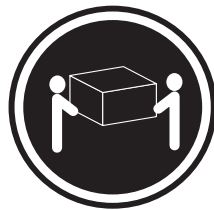
Removing CRUs

It is easier to lift the expansion unit and install it in a rack or tower enclosure if you remove all CRUs (disk drives, power supplies, and ESMs) first. A fully loaded expansion unit with 14 disk drives and two power supplies with built-in fans installed weighs 36.1 kg (79.5 lb). The standard unit with two power supplies weighs 22.5 kg (49.5 lb). If you remove all the CRUs, you can reduce the overall weight.

Attention: If you have data stored on the drives, label the drives before you remove them. Then, when you replace the drives, install each one in the same drive bay from which you removed it.

See “Locations” on page 8 for information on removing the CRUs.

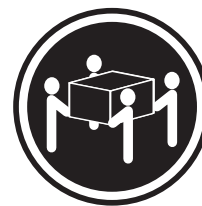
Statement 4



≥18 kg (37 lbs)



≥32 kg (70.5 lbs)



≥55 kg (121.2 lbs)

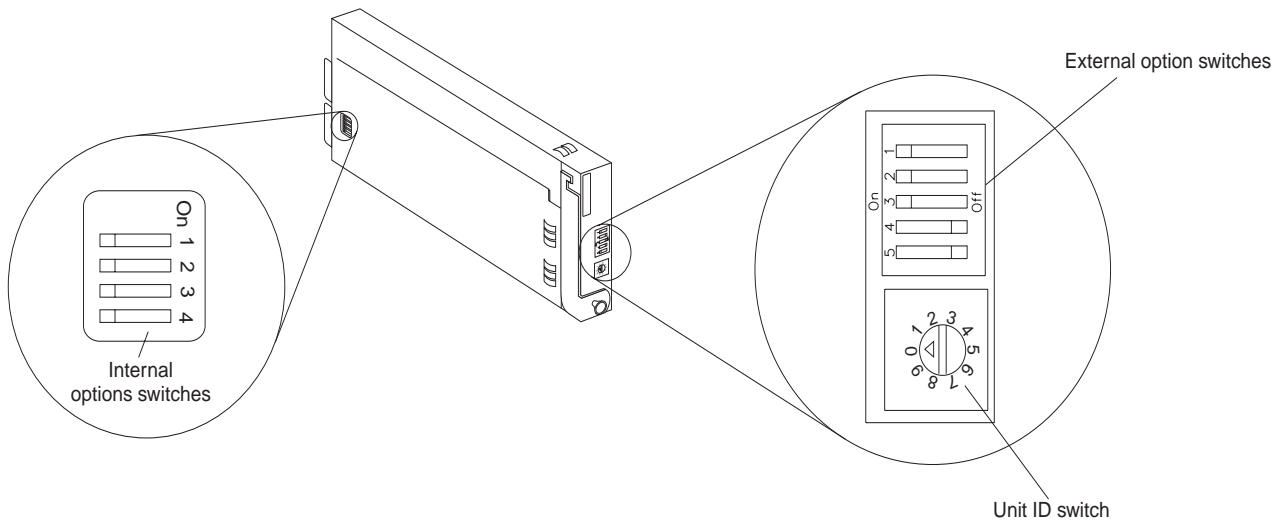
CAUTION:
Use safe practices when lifting.

Setting the interface options and ID settings

When you install a drive CRU in the expansion unit, the drive tray plugs into a printed circuit board called the *midplane*. The midplane sets the SCSI bus number and ID automatically.

The switch card located on the back of the expansion unit has five external option switches, four internal option switches, and a unit ID switch. It is easier to set these switches before you install the expansion unit in a rack or tower enclosure.

Attention: Always set the option switches while the expansion unit and host server are turned off. Failure to do so will result in loss of data.



External option switches

The five option switches on the exterior of the switch card are: Option switch 1 controls the power supply to the expansion unit. Option switches 2 through 5 are reserved; leave these switches in the default positions.

Option switch 1 — Power-control switch

When this option switch is set to Off, the expansion unit turns on and off automatically when you turn the host machine on and off. This occurs only if termination power is present (the termination-power LED is on) at the external SCSI connector.

When this option switch is set to On (the default), you must turn the expansion unit on and off separately.

Option switches 2 through 5 — Reserved

These option switches are reserved; leave these option switches set to the default positions. Set switches 2 through 5 (On, On, Off, Off) respectively.

Internal option switches

The four option switches inside the switch card are: Option switch 1 controls SCSI addresses for the rack and tower installation modes. Option switch 2 controls the front panel power and fault LEDs for the rack and tower. Option switch 3 controls the SCSI bus, and option switch 4 is reserved; leave this switch in the Off position.

Attention: A loss of data can occur if you change the position of internal option switch 1 or internal option switch 3 after storing data on the drives. Refer to “Conversion of EXP300 to a tower or from a tower” on page 25 if you want to change the configuration of your expansion unit from a rack (internal switch 1 Off) to a tower (internal switch 1 On) or from a tower to a rack orientation.

SCSI buses and IDs

There are two SCSI buses (bus 1 and bus 2) in the expansion unit. Each bus uses seven SCSI ID numbers. Each disk drive within the expansion unit has a unique SCSI bus and ID assignment, based on its physical location in the expansion unit and the setting of option switch 1 (inside the switch card).

Option switch 1 — SCSI-address switch

This switch sets the order of the SCSI IDs. The default is Off for a rack unit installation. In the rack unit, the SCSI IDs are from left to right, 0, 1, 2, 3, 4, 5, 6, 8, 9, 10, 11, 12, 13, and 14. When this switch is set to On for a tower installation, the SCSI IDs are from top to bottom, 0, 1, 2, 3, 4, 5, 6, 8, 9, 10, 11, 12, 13, and 14.

Option switch 2 — Rack/tower LED switch

Note: If you are installing the EXP300 in a tower, refer to the Rack-to-Tower Conversion Kit instructions for option switch settings and labeling information.

Option switch 2 is the rack and tower mode switch. Put this switch in the Off position when the unit is placed in a rack and in the On position when the unit is placed in a tower.

When shipped, option switch 2 is set to the rack (Off) position. When you make the change to install it into a tower, option switch 2 is in the On position and the general system error indicator on the front panel is swapped with the power-on LED, placing the green power-on LED above the general-system error indicator.

Set this switch to Off (the default) for a rack unit and On for a tower unit.

Option switch 3 — SCSI bus split switch

This switch controls the SCSI bus configuration. When this option switch is set to Off (the default), the expansion unit configuration is set as a single SCSI bus mode. When this option switch is set to On, the expansion unit configuration is set as a dual SCSI bus (split bus) mode.

Option switch 4 — Reserved

This switch is reserved; leave this option switch set to Off (the default).

Unit ID dial switch

The unit ID switch has 10 settings. You can use these settings (0 through 9) to set an ID for the expansion unit. System-management software, such as IBM Netfinity Director, uses this expansion unit ID when it provides data and alerts for the expansion unit.

Important information for IBM ServeRAID:

If you are using a ServeRAID software version earlier than the Version 3.50, the View Configuration screens might show SCSI IDs or bay numbers. If the data shown on the View Configuration screen begins with 0, it denotes SCSI IDs. If the data shown on the View Configuration screen begins with 1, it denotes bay numbers.

Netfinity EXP300 bays

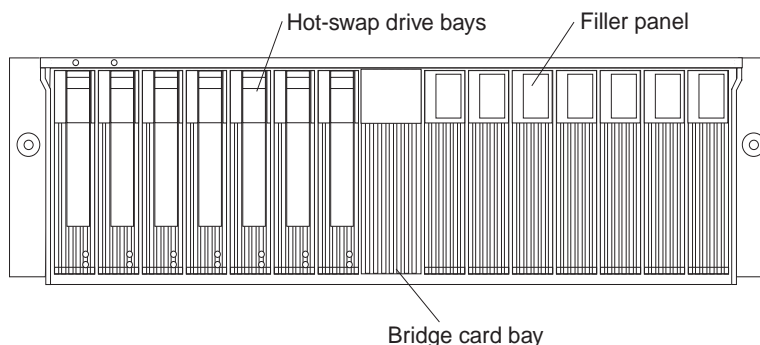
The following sections describe the hot-swap CRUs, the switch card bay, and the bridge card bay on the Netfinity EXP300 expansion unit.

With the hot-swap features of the Netfinity EXP300, you can remove and replace hard disk drives, power supplies/fans, and ESM boards without turning off the expansion unit. Therefore, you can maintain the availability of your system while a hot-swap device is removed, installed, or replaced.

Hot-swap drive bays

The following illustration shows the location of the hot-swap drive bays accessible from the front of your expansion unit. The Netfinity EXP300 supports up to 14 IBM Ultra160 SCSI or Ultra2 SCSI hard disk drives. These drives come pre installed in a drive tray. The drive and tray assembly is called a *drive CRU* (customer replaceable unit). You can install the drive CRUs in the 14 drive bays on the front of the expansion unit.

In the following figure, seven of the 14 bays contain drive CRUs, and seven bays contain filler panels. To maintain proper cooling within your expansion unit, always keep a filler panel in each drive bay that does not contain a drive CRU. For information on installing and replacing drive CRUs, refer to “Working with hot-swap drives” on page 17.



Attention: Never hot-swap a drive CRU when its green activity light emitting diode (LED) is flashing. Hot-swap a drive CRU only when its amber fault LED is lit (not flashing) or when the drive is inactive with the green activity LED off (not flashing).

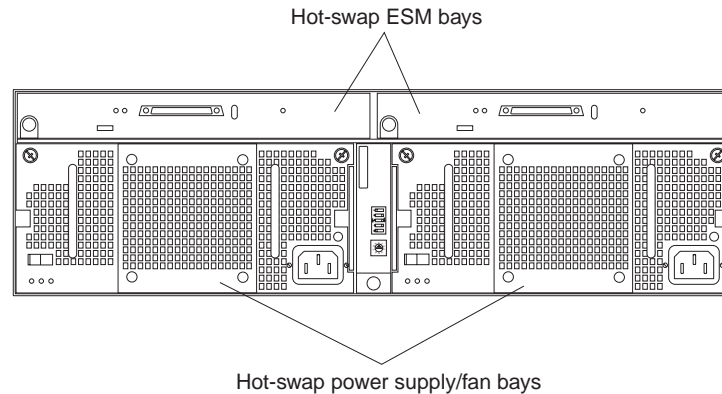
Bridge card bay

The bridge card is accessible from the front of the unit. You can replace the bridge card CRU but you must turn off the expansion unit before doing so. Refer to “Replacing a bridge card” on page 22 for step-by-step instructions.

Attention: Never remove the bridge card while the expansion unit is turned on. Refer to “Turning the expansion unit on and off” on page 3.

ESM and power supply bays

The following illustration shows the location of the environmental services monitor (ESM) bays (for the hot-swap ESM boards) and the power supply bays where the hot-swap power supplies are located.



Hot-swap ESM bays

These are the locations of the environmental services monitor (ESM) boards. The ESM boards provide a SCSI interface to the drives and monitor the overall status of the expansion unit. The ESM boards are hot-swappable. Refer to “Replacing an ESM board” on page 24 for step-by-step instructions.

Hot-swap power supply/fan bays

Your expansion unit comes with two 500 Watt hot-swap and redundant power supplies with built-in fans. The power supplies are redundant in that a single power supply can provide adequate power and cooling for the entire expansion unit. A single power supply can support up to 14 disk drives; however, both power supplies must be installed, even if one power supply is not operational. Refer to “Working with hot-swap power” on page 21 for step-by-step instructions.

Switch card bay

Your expansion unit comes with a switch card that contains five external option switches and four internal option switches. The switch card is located on the back of the expansion unit between the two power supplies. The switch card contains switches that control how power is supplied to the expansion unit and what expansion unit services are enabled (for example, switching between a tower configuration and a rack configuration or switching between a single bus and a dual-bus configuration.) In a dual-bus configuration, each bus uses seven drives. A single-bus configuration uses all 14 drives. To access the four internal option switches, you must turn off the expansion unit; then remove the switch card. Refer to “Replacing the switch card” on page 23 for step-by-step instructions.

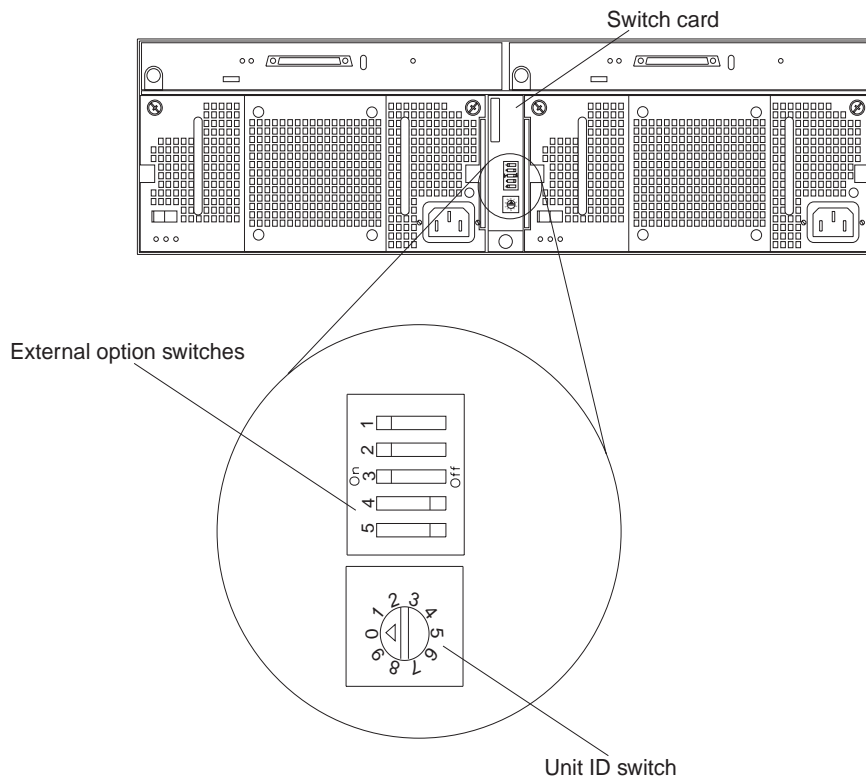
Attention: Never remove the switch card or change the switch card settings while the expansion unit and host server is turned on. Refer to “Turning the expansion unit on and off” on page 3.

In addition to the internal and external option switches, the switch card also has a 10-position unit ID switch for setting the expansion unit ID using values 0 through 9.

System-management software, such as IBM Netfinity Manager™, uses the ID when it provides data and alerts for the expansion unit.

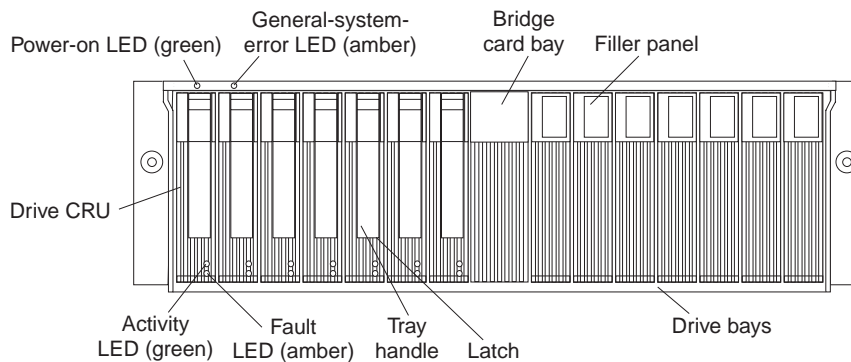
For more information on option switch settings, see “Setting the interface options and ID settings” on page 10.

The following illustration shows the location of the switch card on the expansion unit.



Front controls, indicators, and devices

The primary controls on the front of the expansion unit are shown in the following illustration.



Power-on LED (green)

This green light indicates that the unit has good dc power.

General-system-error LED (amber)

When lit, this amber LED indicates that the unit has a fault, such as in a power supply, ESM board, or hard disk drive.

Bridge card bay

This is the location of the bridge card CRU.

Filler panel

Expansion units shipped without a full set of drives (14) contain filler panels in the unused drive bays. Before installing new drives, you must remove the filler panels and save them for later use. Each of the 14 bays must always contain either a filler panel or a drive CRU.

Drive bays There are 14 drive bays that contain either a drive CRU or a filler panel.

Latch This multipurpose blue latch releases or locks the drive CRU in place.

Tray handle You can use this multipurpose handle to insert and remove a drive CRU in the bay.

Fault LED (amber)

Each drive CRU has a fault LED. When lit, this amber LED indicates a drive failure. When flashing, this amber LED indicates that a drive Identify or Rebuild is in progress.

Activity LED (green)

Each drive CRU has an activity LED. When flashing, this green LED indicates drive activity.

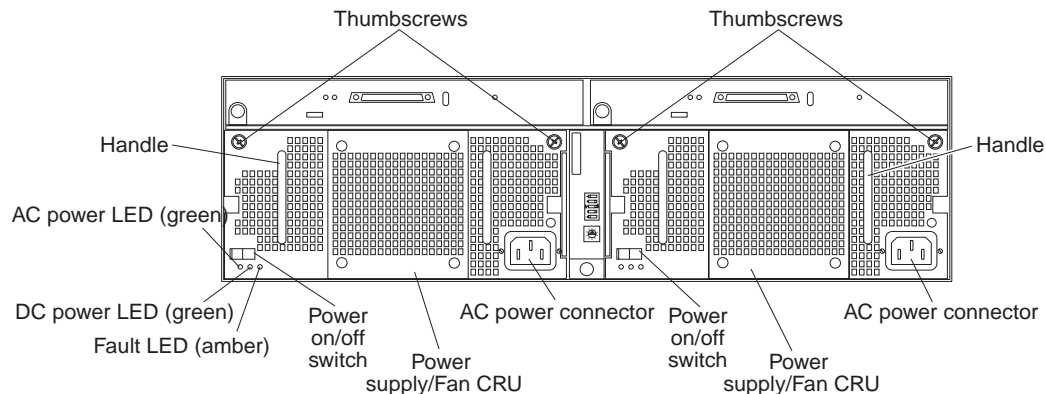
Drive CRU You can install up to 14 hot-swap drive CRUs in the expansion unit. Each drive CRU consists of a hard disk drive and tray.

Rear controls, indicators, and connectors

Two hot-swap power supplies with built-in fans and two environmental services monitor (ESM) boards are accessible from the back of the expansion unit. These components contain several user indicators and connectors.

Power-supply controls, indicators, connectors

The following is a list of the controls, indicators, and connectors at back of the EXP300 expansion unit. A description of each item is included:



Thumbscrews Loosen the thumbscrews to remove or install a power supply.

AC power connector

The power cord for the power supply connects here.

Power-supply/Fan CRU

The two hot-swap power supplies with built-in fans are located on the back of the expansion unit.

Attention: The EXP300 comes with two power-supply/fan units installed. When one power supply fails, the power-supply unit must be replaced to re-establish redundancy. When replacing the failed unit with the new power supply unit, ensure that this operation is performed in less than 10 minutes to prevent any overheating.

The fan that is visible from the rear of the power supply is an auxiliary fan that is normally off. This fan turns on only when the main fan within the power supply fails.

Power on/off switch

Use this switch to turn the power supply on and off.

Fault LED (amber)

When completely lit, this amber fault LED indicates a power supply failure or that a redundant power supply is not on. This LED also flashes when the built-in fan fails.

DC power LED (green)

This green LED is lit when the expansion unit is turned on and is supplying both 5 V and 12 V dc power.

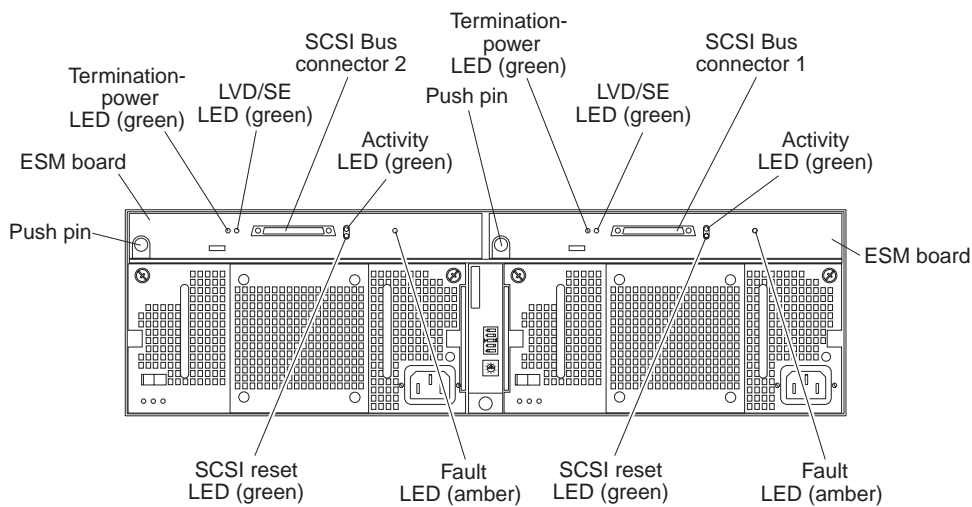
AC power LED (green)

This green LED is lit when the expansion unit is receiving ac power.

Handles The two handles are used for installing and removing the power supply.

ESM board user controls

Two environmental services monitor (ESM) boards are accessible from the back of the expansion unit. These components contain several user controls, indicators, and connectors.



ESM board The environmental services monitor (ESM) boards contain the SCSI controls and LEDs.

Fault LED (amber)

When lit, this amber LED indicates an ESM board failure.

SCSI reset LED

When lit, this green LED indicates a SCSI bus reset.

Push pins Each ESM board has an orange push pin to the bottom left of the board. Use the orange push pin and lever to remove and insert the ESM board.

Termination-power LED (green)

When lit, this green LED indicates that termination power is present. (When a termination-power LED is lit, it indicates that the other end of the cable is connected to a powered-on controller.) Each external bus has a separate termination-power LED.

LVD/SE LED (green)

When lit, this green LED indicates that the external host bus is in low voltage differential (LVD) mode. When this LED is off, this indicates that the external host bus is in single-ended (SE) mode. Each external bus has a separate LVD/SE LED. Only LVD host bus controllers are supported.

SCSI bus connector

The 68-pin Very High Density Connector Interface (VHDCI) connectors are for attaching your SCSI cables to SCSI bus 1 and SCSI bus 2.

Activity LED (green)

When lit, this green LED indicates there is activity on the external SCSI bus. Each external bus has a separate activity LED.

Working with hot-swap drives

Before you begin

- Read the safety and handling guidelines provided in "Safety information" on page 41 and "Handling electrostatic discharge-sensitive devices."
- Ensure that your current system configuration is working properly.
- Back up all important data before you make changes to storage devices, such as hard disk drives.

This section explains how you can increase the expansion unit capacity by adding more drives or replacing existing drives with larger capacity drives.

Before you install or remove drive CRUs, review the following information:

Hot-swap hardware

You can replace a failed hard disk drive without turning off the expansion unit. Therefore, you can continue to operate your system while a hard disk drive is removed or installed. These drives are known as *hot-swap* drives.

Drive CRUs Your expansion unit supports IBM Ultra160 and IBM Ultra2 SCSI hard disk drives. These IBM drives come pre-installed in a drive tray, ready for installation. (Do not detach the drive from the tray.) This drive and tray assembly is called a *drive customer replaceable unit (CRU)*. You can install the drive CRUs directly into the 14 drive bays on the front of the expansion unit.

Be sure to record the location information for each drive *before* you remove it. Ensure that you keep track of the drives and their corresponding bays.

Attention: If you re-install a drive in the wrong bay, you could lose data.

Drive LEDs Each drive bezel has two LEDs, which indicate the status for that particular drive. The drive LED states and descriptions are as follows:

LED	LED State	Description
Activity LED	Green/flashing	Flashes during read/write or inquiry operations to the drive
Fault LED	Amber/flashing	Flashes to indicate a drive rebuild is under way, or that a drive has been identified by software
Fault LED	Amber On	On to indicate a drive failure

Filler panel

Expansion units are shipped without a full set of drives (14). They contain filler panels in the unused drive bays. Before installing new drives, you must remove the filler panels, which should be saved. Each of the 14 bays must always contain either a filler panel or a drive CRU.

Hard disk drives

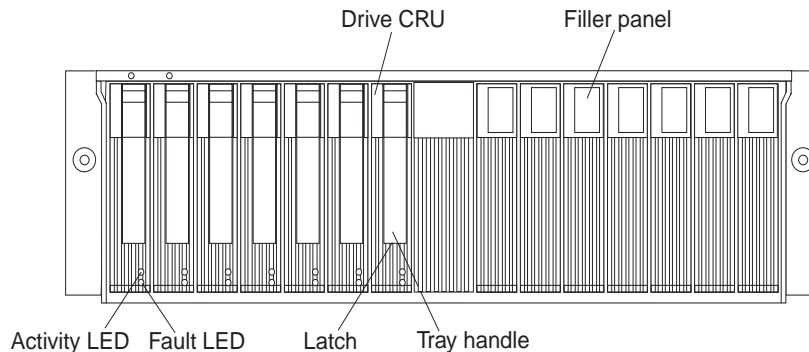
You can install only slim hot-swap drive CRUs in the EXP300 expansion unit.

Installing hot-swap drives

Use the following procedure to install drives in the expansion unit. You can install additional drives while the expansion unit is turned on.

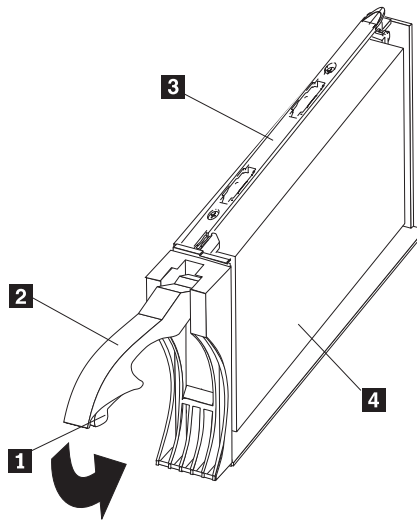
Note: If you are replacing a drive, see “Replacing hot-swap drives” on page 20.

1. Read the instructions that come with the drive CRU.
2. Check for fault LEDs. If any amber LEDs are lit, refer to “Symptom-to-FRU index” on page 7.



3. Determine the bay into which you want to install the drive.
4. Remove the filler panel.
 - a. Insert a finger into the square hole at the top of the filler panel to grip and pull the panel out of the drive bay.
 - b. Save the filler panel for later use.
5. Install the drive CRU:

Note: The hard disk drive comes with a tray already attached. Do not attempt to detach the drive **4** from the tray **3**.



- a. Release the blue latch **1** on the drive CRU by pressing on the inside of the bottom of the tray handle **2**.
 - b. Pull the handle **2** on the tray out into the open position.
 - c. Slide the drive CRU into the empty bay until the tray handle **2** touches the expansion-unit bezel.
 - d. Push the tray handle **2** down into the closed (latched) position.
6. Check the drive LEDs.
 - a. When a drive is ready for use, the green activity LED and the amber fault LED are off.
 - b. If the amber fault LED is on, remove the drive from the unit and wait 10 seconds; then, reinstall the drive.

ServeRAID information

In some cases, the ServeRAID controller will automatically reset the drive to the Hot Spare or Rebuild state. If the drive state change does not occur automatically (amber LED stays lit), refer to your ServeRAID documentation for information about manually changing the state of the drive from the current state to another state, such as Hot Spare or Ready. The amber LED should turn off within 10 seconds after the drive-state change.

7. Configure the drive using the appropriate software.

Replacing hot-swap drives

Drive problems include any malfunctions that delay, interrupt, or prevent successful I/O activity between the hosts and the hard disk drives in the expansion unit. This includes transmission problems between the host controllers, the ESM boards, and the drives. This section explains how to replace a failed drive.

Attention: Failure to replace the drives in their correct bays might result in loss of data. If you are replacing a drive that is part of a RAID level 1 or RAID level 5 logical drive, ensure that you install the replacement drive in the correct bay.

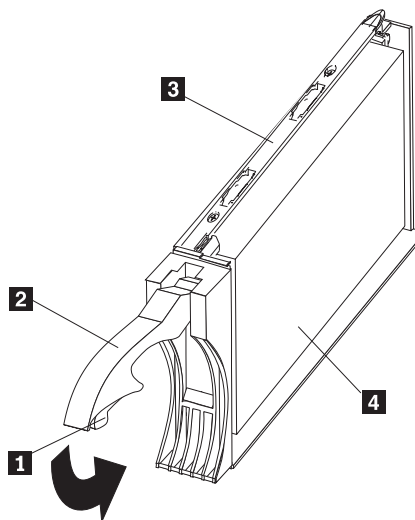
Check the hardware and software documentation provided with your system to see if there are restrictions regarding hard disk drive configurations. Some system SCSI configurations might not allow mixing different drive capacities or types within an array.

To replace a hot-swap drive:

1. Determine the location of the drive that you want to remove.

Attention: Never hot swap a drive CRU when its green activity LED is flashing. Hot swap a drive CRU only when its amber fault LED is lit (not flashing) or when the drive is inactive (activity LED is off).

2. Remove the drive CRU.
 - a. Press on the inside of the bottom of the tray handle **2** to release the blue latch **1**.
 - b. Pull the handle **2** on the tray **3** out into the open position.
 - c. Lift the drive tray partially out of the bay.
 - d. To avoid possible damage to the drive **4**, wait at least 20 seconds before fully removing the drive CRU from the expansion unit, to allow for the drive to spin down.
 - e. Verify that there is proper identification (such as a label) on the drive CRU, and then slide it completely out of the expansion unit.
3. Install the new drive CRU.



- a. Gently push the drive CRU into the empty bay until the tray handle **2** touches the expansion unit tray.
- b. Push the tray handle **2** down into the closed (latched) position.

4. Check the drive LEDs.
 - a. When a drive is ready for use, the green activity LED and the amber fault LED are off.
 - b. If the amber fault LED is on, remove the drive from the unit and wait 10 seconds; then, reinstall the drive.

ServeRAID information

In some cases, the ServeRAID controller will automatically reset the drive to the Hot Spare or Rebuild state. If the drive state change does not occur automatically (amber LED stays lit), refer to your ServeRAID documentation for information about manually changing the state of the drive from the current state to another state, such as Hot Spare or Ready. The amber LED should turn off within 10 seconds after the drive-state change.

Working with hot-swap power

Before you begin

- Read the safety and handling guidelines provided in "Safety information" on page 41 and "Handling electrostatic discharge-sensitive devices."

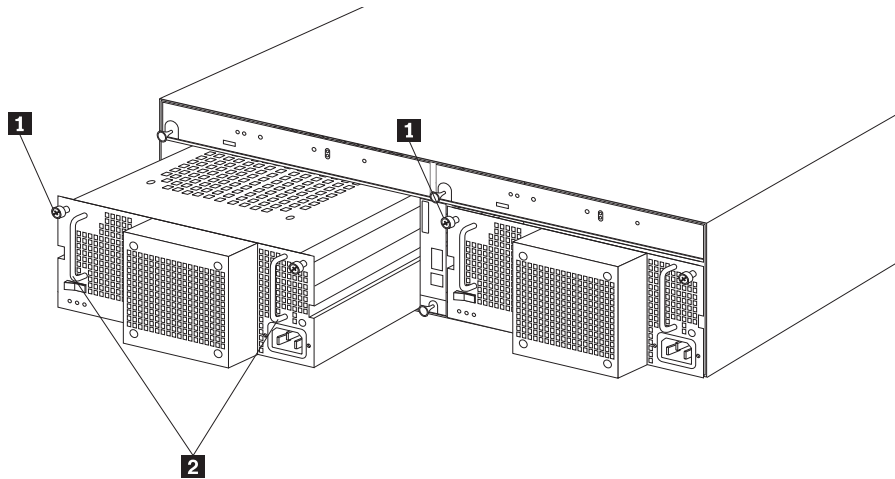
The power supplies are customer replaceable units (CRUs) and do not require preventive maintenance.

- The power supplies must always be installed in the proper place to maintain proper expansion unit cooling.
- Use only the supported power supplies for your specific expansion unit.

Removing a hot-swap power supply/fan unit

Complete the following steps to remove a hot-swap power supply:

1. Turn off the power supply.
2. Unplug the power supply cord from the electrical outlet.
3. Disconnect the power cord from the power supply.
4. Loosen the power supply thumbscrews **1**.
5. Grasp the handles **2** on each side of the power supply, and pull the unit out of the expansion unit.



Installing a hot-swap power supply / fan unit

Complete the following steps to install a hot-swap power supply:

1. Ensure that the power supply you are installing is turned off.
2. Grasp the handles **2** and slide the power supply into the expansion unit.
3. Tighten the power supply thumbscrews **1**.
4. Connect the power cord to the power supply.
5. Plug the supply power cord into a properly grounded electrical outlet.

If you just installed a second (redundant) supply, the fault (amber) LED will light because its power switch is turned off.

6. Turn on the power supply.

If you just installed a second (redundant) supply, after you turn on the power, the fault (amber) LED will turn off and the ac and dc power (green) LEDs will turn on.

Working with cards and boards

Before you begin

- Read the safety and handling guidelines provided in "Safety information" on page 41 and "Handling electrostatic discharge-sensitive devices."
- Ensure that your current system configuration is working properly.
- Back up all important data before you make changes to storage devices, such as hard disk drives.

The expansion unit bridge card, switch card, and ESM boards are customer replaceable units (CRUs). This section contains step-by-step instructions for removing and replacing each device.

Replacing a bridge card

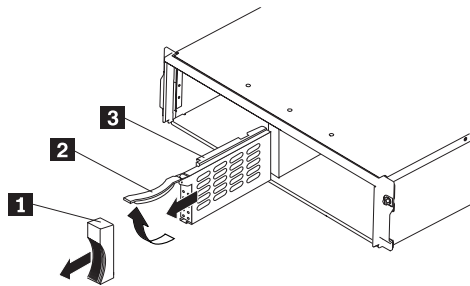
To replace the bridge card CRU in the EXP300 expansion unit, follow the instructions for removing the bridge card and installing a bridge card.

Removing a bridge card:

Attention: Before removing the EXP300 bridge card, you must turn off the expansion unit. Refer to “Turning the expansion unit on and off” on page 3 for detailed instructions.

Complete the following steps to remove the EXP300 bridge card:

1. Turn off the expansion unit. Refer to “Turning the expansion unit on and off” on page 3.
2. Remove the drive CRUs or blank filler panels from the left and right of the bridge card bay. Refer to “Replacing hot-swap drives” on page 20.
3. Squeeze the bridge-card cover **1** clips, and pull the bridge card cover **1** off.
4. Lift the tray handle **2**, and pull the tray **3** that contains the bridge card out of the bridge card bay.



Installing a bridge card:

Attention: Make sure the expansion unit is turned off before installing a bridge card. Refer to “Turning the expansion unit on and off” on page 3.

Complete the following steps to install the EXP300 bridge card:

1. Make sure the expansion unit is turned off.
2. Hold the bridge card tray **3** so the tray handle **2** is at the top of the bridge card tray and pointing outward.
3. Slide the tray **3** that contains the bridge card into the bridge card bay.
4. Push the tray handle **2** down, locking the bridge-card tray into place.
5. Replace the bridge card cover **1** by squeezing each of the four tabs, locking the cover into place.
6. Turn on the expansion unit. Refer to “Turning the expansion unit on and off” on page 3.

Replacing the switch card

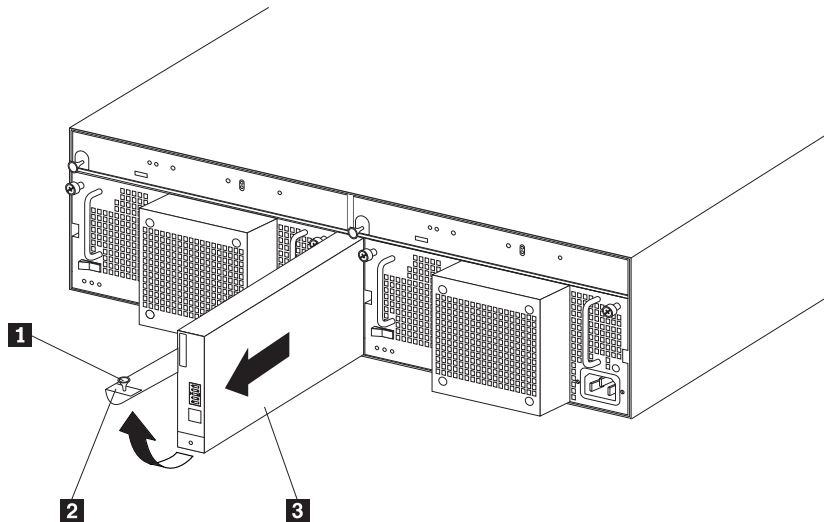
To replace the switch card CRU in the EXP300 expansion unit, follow the instructions for removing the switch card and installing the switch card.

Removing the switch card:

Attention: Before removing the switch card, be sure to turn off the expansion unit. Refer to “Turning the expansion unit on and off” on page 3. Make note of the switch card settings so you can set the new card to the same settings. Failure to do so will result in loss of data.

There is one switch card located between the two power supply/fan units at the back of the unit. Complete the following steps to remove the switch card:

1. Turn off the expansion unit.
2. Locate the blue push pin **2** at the bottom of the switch card tray.
3. Pull out the blue push pin **2**.
4. Pull up on the switch-card tray handle **1**.
5. Slide the tray that contains the switch card out of the switch card bay.



Installing a switch card: **Attention:** Before installing a new switch card, make sure that the switch card settings are the same as the settings on the switch card being replaced, and that the expansion unit is turned off. Refer to “Turning the expansion unit on and off” on page 3. Failure to do so will result in loss of data.

There is one switch card located between the two power supply/fan assemblies at the back of the unit. Complete the following steps to install the switch card:

1. Make sure the expansion unit is turned off.
2. Hold the switch card so the blue push pin **1** is at the bottom of the card and the tray handle **2** is to the left of the card.
3. Hold the tray handle **2** up and slide the card **3** into the bay until it stops.
4. Push the tray handle **2** all the way down; then, push in the push pin **1**.

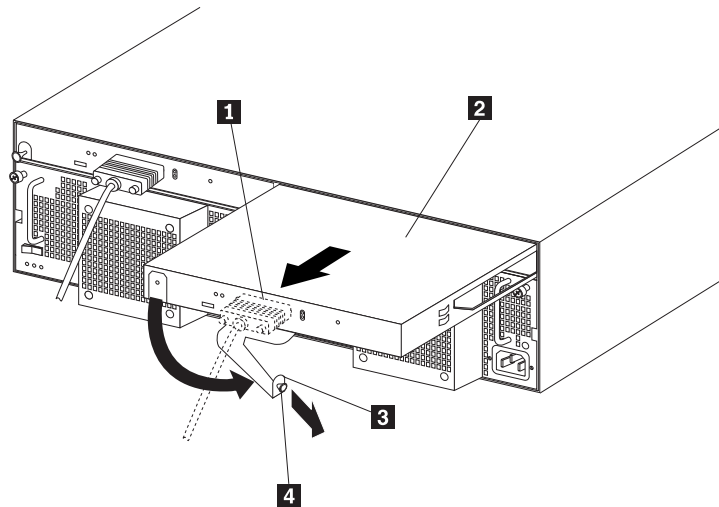
Replacing an ESM board

To replace an ESM board CRU in the EXP300 expansion unit, follow the instructions for removing an ESM board and installing an ESM board.

Removing an ESM board: There are two hot-swap ESM boards at the back of the unit. You can remove the ESM board and SCSI cable without turning off power to the EXP300. Complete the following steps to remove an EXP300 ESM board:

1. Power down the server attached to the ESM Board.
2. Disconnect the SCSI cable **1** from the ESM Board.
3. Locate the orange push pin **4** to the left of each ESM board.
4. Pull the orange push pin **4** out.

5. Holding the pin, pull the tray handle **3** out and to the right.
6. Slide the ESM board **2** out of the expansion unit.



Installing an ESM board: There are two hot-swap ESM boards at the back of the unit. You can install the ESM board and SCSI cable without turning off power to the EXP300. Complete the following steps to install an EXP300 ESM board:

1. Hold the board so the tray handle **3** is attached to the bottom of the tray, and the tray handle **3** is fully extended.
2. Slide the ESM board **2** into the bay, and move the handle **3** to the closed position (left) until it clicks.
3. Push in the orange push pin **4**.
4. Connect the SCSI cable **1** to the ESM board.
5. Power on the server attached to the ESM board.

Conversion of EXP300 to a tower or from a tower

Attention: The following procedure must be performed before you move your EXP300 to a tower from a rack or NetBAY or move the EXP300 from a tower to a rack or NetBAY.

1. Read through all the steps below. Make sure you are ready to complete all the steps prior to starting the conversion process.
2. Back up all data.
3. Shutdown all servers attached to the Netfinity EXP300.
4. Power off the Netfinity EXP300. See “Turning the expansion unit on and off” on page 3
5. Remove switch card. See “Removing the switch card” on page 23. Set internal switches appropriate for the new configuration. See “Setting the interface options and ID settings” on page 10. Place the switch card back into the EXP300. See “Installing a switch card” on page 24
6. Swap the disk drives according to the following table; the ID's are the SCSI ID's referenced on your SCSI ID label on the front of your Netfinity EXP300.

Example: Put ID0 drive into ID14 position and put ID 14 drive into ID0 position

- ID0 - ID14,

- ID1 - ID13,
 - ID2 - ID12,
 - ID3 - ID11,
 - ID4 - ID10,
 - ID5 - ID9,
 - ID6 - ID8.
7. Remove the Netfinity EXP300 from its current rack, Netbay or tower.
 8. Place the Netfinity EXP300 into its new home, rack, Netbay or tower.
 9. If internal switch 3 on the switch card of your Netfinity EXP300 is set on (split bus or dual bus mode), then ensure that the SCSI cable, if plugged into the left side of the Netfinity EXP300, is now plugged into the right side and vice versa. If internal switch 3 is off, you do not have to switch the SCSI cable.
 10. Place the correct SCSI ID label on top of the existing SCSI ID label. See “Installing identification labels” on page 35. These labels were shipped with both the Netfinity EXP300 and with the Rack to Tower Conversion Kit.
 11. Use the power on procedures in “Turning on the expansion unit” on page 3 to power your system back on.

Installing the EXP300 in a rack

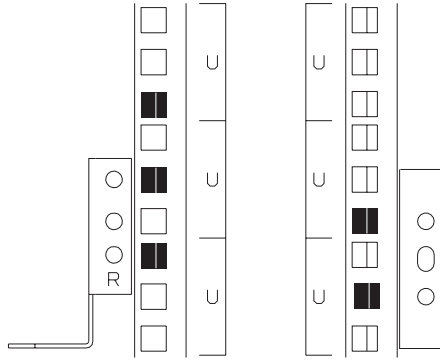
The EXP300 expansion unit requires 3U (5.25 in) of Electronic Industries Association (EIA) rack-mounting space.

Important: Review the documentation that comes with your rack enclosure for safety and cabling considerations. When installing your server in a rack, the following considerations should be made:

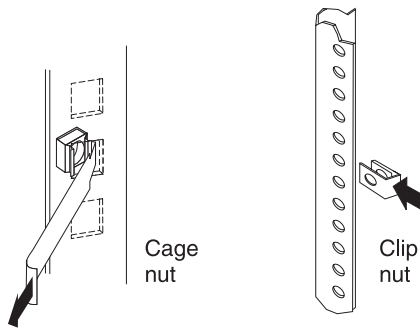
- Install the expansion unit in a maximum 35 degree C environment.
 - To ensure proper air flow, do not block the air vents; usually 15 cm (6 inches) of air space is sufficient.
- Note:** Because of the limited space in some racks, it might be easier to connect and route cables before you install the mounting brackets and hardware devices.
- To ensure stability, take precautions to prevent uneven loading of the rack. Loading of the rack should begin at the bottom.
 - Turn off the power to your rack.
 - When multiple components are installed in a rack, take precautions to prevent overloading of the power outlets.
 - The expansion unit should always be connected to a properly grounded outlet.
 - Refer to the rack documentation for instructions on removing the rack enclosure doors and side panels.

Use the rack-mounting template that comes with the expansion unit to locate the rack-mounting holes and install the unit in a rack cabinet. If you do not have the template, you can use the following steps to install your expansion unit:

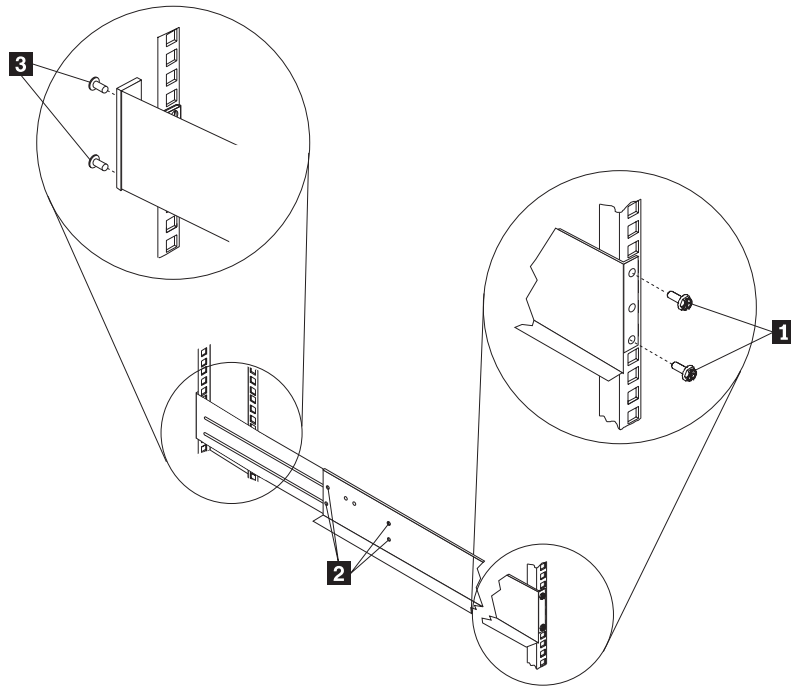
1. Use the following illustration of the front and rear rack mounting flanges to determine the appropriate rack-mounting holes for installing cage nuts or clip nuts to secure the Netfinity EXP300 rails. From left to right, the illustration shows the front and rear flanges respectively.



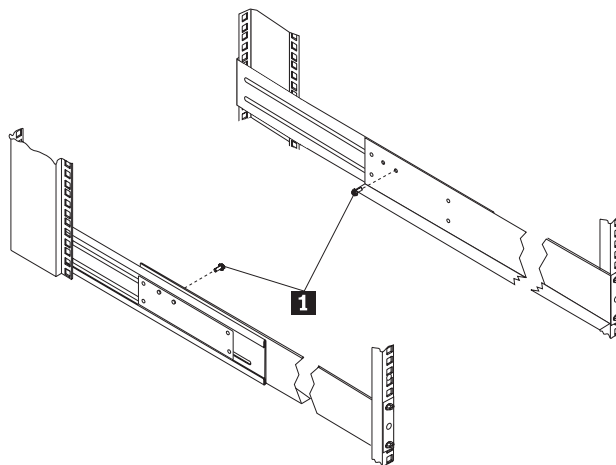
Note: Use clip nuts if your rack has round holes. If your rack has square holes, you can use the rack-insertion tool or a flat-blade screwdriver to install cage nuts.



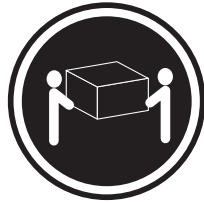
- On the rail marked *R*, loosen the four screws **2** and adjust the rail.



- Hold the rail against the outside of the right rack-mounting flange, and loosely insert the two front M6 hex screws **1**.
- Extend the rail outside of the rear rack-mounting flange; then, install and tighten two rear M6 hex screws **3**.
- Tighten the two front screws **1**; then, tighten the four screws **2**.
Repeat step 2 through step 5 to install the rail marked *L* on the left side of the rack.
- Loosely insert one M5 screw **1** into each rail.



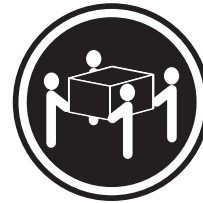
Statement 4



≥18 kg (37 lbs)



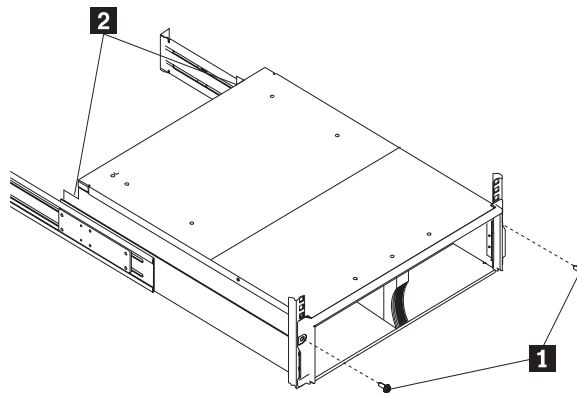
≥32 kg (70.5 lbs)



≥55 kg (121.2 lbs)

CAUTION:
Use safe practices when lifting.

- Slide the expansion unit into the rack, and insert the M6 screws **1**. Do not overtighten the M6 **1** screws.



- Tighten the rear screws **2**.
- Verify that option switches 1 and 2 (inside the switch card) are set to off (see “Setting the interface options and ID settings” on page 10 for more information).
- Install hard disk drives and power supplies in the EXP300 expansion unit according to “Locations” on page 8; then, return here to complete the installation.
- Continue with “Completing the installation” on page 35.

Installing the EXP300 in a Tower

The IBM® Netfinity® EXP300 Rack-to-Tower Conversion Kit converts the EXP300 storage expansion unit into a tower mounted installation. You will need a flat-blade screwdriver and a phillips screwdriver to install the EXP300. Use the mounting hardware that comes with your unit to secure it in the enclosure.

Before installing the expansion unit you must:

- Review the Safety Information that comes with your EXP300
- Refer to “Locations” on page 8 for removing the switch card, environmental services monitor (ESM) boards, fan and power supply assemblies, and hard drives to reduce the weight of your EXP300

Note: The illustrations in this documentation might be slightly different from your hardware.

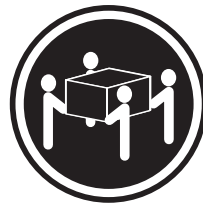
Statement 4



≥18 kg (37 lbs)



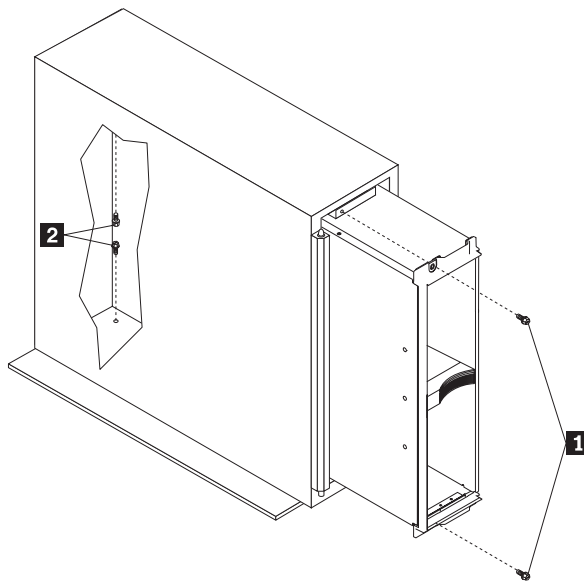
≥32 kg (70.5 lbs)



≥55 kg (121.2 lbs)

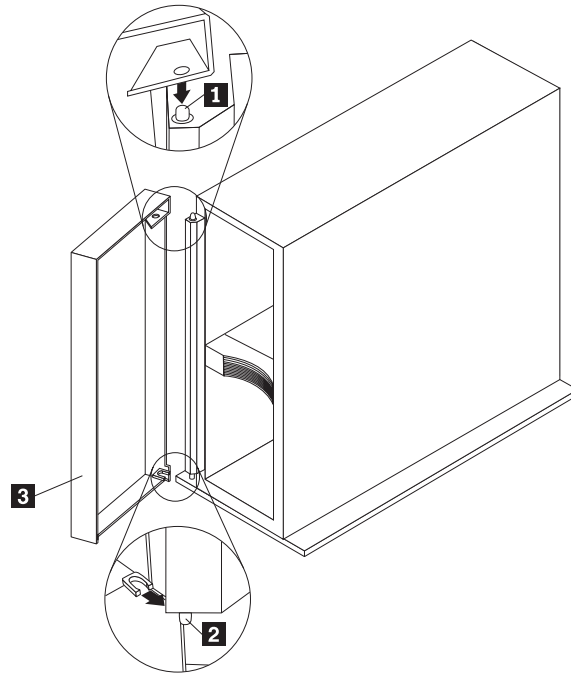
CAUTION:
Use safe practices when lifting.

1. Loosely insert two M5 screws **2** in the rear of the enclosure; then, turn the EXP300 counter-clockwise onto its left side and slide it fully into the enclosure.



2. Secure the front of the EXP300 with black M6 hex screws **1** on the top and bottom; then, tighten the rear M5 screws **2** to secure the back of the EXP300.

- Unlock the door **3** and hold it at a 90 degree angle to the front of the enclosure; then, lower the top of the door over the tab **1** on the top of the enclosure.



- Push the bottom of the door until it snaps into place over the tab **2** on the bottom of the enclosure.
- Verify the settings for internal Option Switch 1 and internal Option Switch 2 on the switch card.

Internal Option Switch 1 defines hard drive enumeration as either left-to-right (Off) or top-to-bottom (On). Internal Option Switch 2 swaps the operation of the general system error indicator with the power-on indicator. Both switches must be set to On when a new expansion unit is placed in a tower.

Attention: A loss of data can occur if you change the position of internal Option Switch 1 or internal Option Switch 3 after storing data on the hard drives. Refer to “Conversion of EXP300 to a tower or from a tower” on page 25 if you previously stored data on the drives and you now want to change the configuration of your expansion unit from a rack to a tower orientation.

- Install the components in the EXP300 that you removed

Installing identification labels

The EXP300 Rack-to-Tower Conversion Kit comes with SCSI ID labels for rack and tower orientations. This kit also includes expansion unit ID labels for tower orientations.

To install the identification labels:

- Install the SCSI ID label:

The internal Option Switch 3 on the switch card determines whether you have a single-bus (Off) or dual-bus (On) configuration. When internal Option Switch 3 is set to Off, all 14 drive bays are on a single SCSI bus. When internal Option Switch 3 is set to On, two independent internal seven drive SCSI buses are created. External SCSI Bus 1 maps to internal SCSI Bus 1 and external SCSI Bus 2 maps to internal SCSI Bus 2. The EXP300 assigns the seven internal Bus-1 bays to SCSI IDs

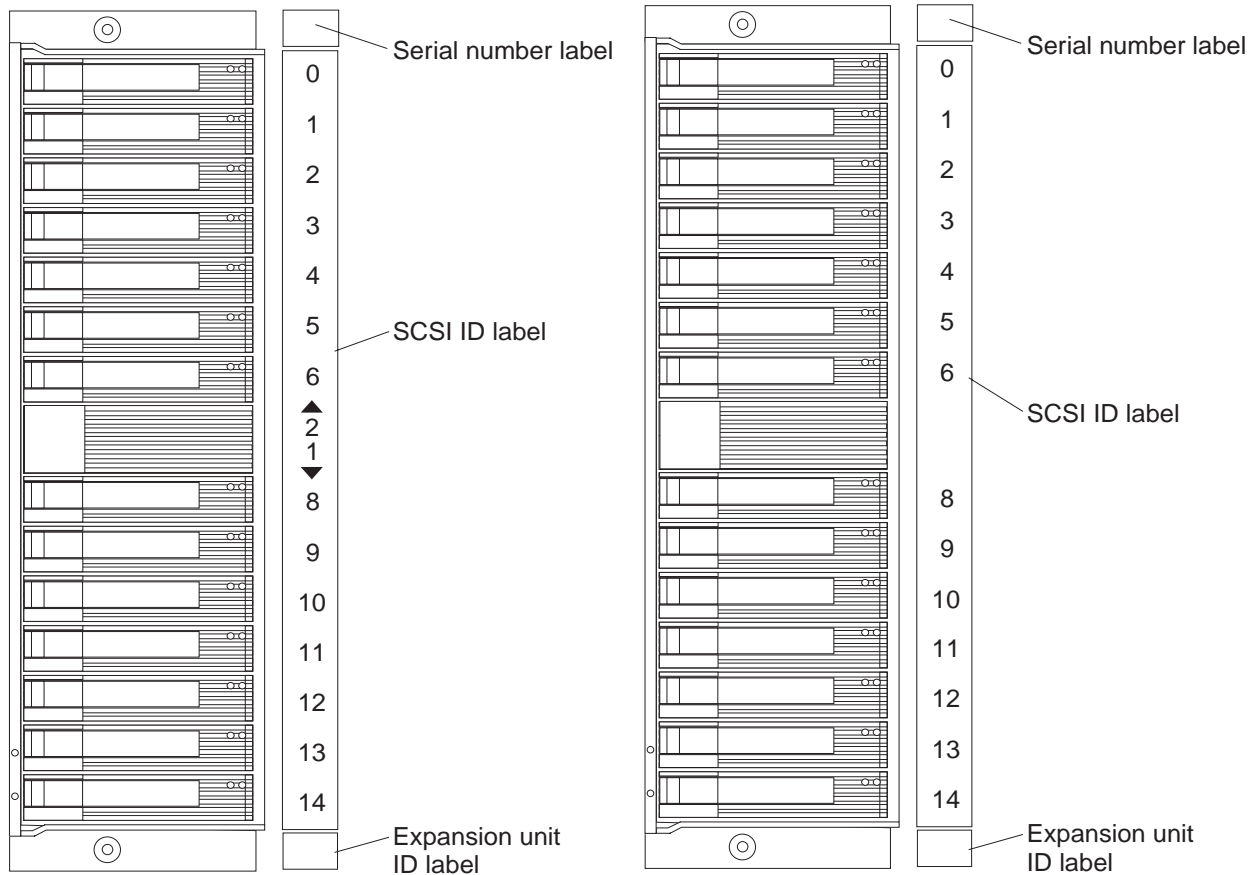
8, 9, 10, 11, 12, 13, and 14; and the seven internal Bus-2 bays to SCSI IDs 0, 1, 2, 3, 4, 5, and 6

Attention: A loss of data can occur if you change the position of internal Option Switch 1 or internal Option Switch 3 after storing data on the hard drives. Refer to “Conversion of EXP300 to a tower or from a tower” on page 25 if you previously stored data on the drives and you now want to change the configuration of your expansion unit from a rack to a tower orientation.

- a. Verify the setting of internal Option Switch 3 and refer to the appropriate illustration:

Dual-bus Tower Mode (Switch 3 On) Switch 1 and Switch 2 On

Single-bus Tower Mode (Switch 3 Off) Switch 1 and Switch 2 On



- b. Locate the SCSI ID label for your configuration. Use the single-bus label if you set internal Option Switch 3 to the Off position; otherwise, use the dual-bus label.
 - c. Orient the label so that the printed numbers are legible from top-to-bottom; then, peel the backing away from the adhesive side of the label.
 - d. Carefully butt the edge of the ID label up against the edge of the serial number label so that the 14 printed ID numbers are located to the right of each of the drive bays.
 - e. Apply the label to the front of the unit as shown.
2. Install the expansion unit ID label:

- a. Verify the setting of the unit ID switch (sometimes referred to as a box ID or a tray ID).
 - b. Locate the expansion unit ID labels that come with this kit; then, apply the label that matches the setting for the unit ID in the blank label area directly below the SCSI ID label.
3. Refer to “Turning the expansion unit on and off” on page 3 for information about turning on the expansion unit.

Note: Important information for IBM ServeRAID users:

If you are using a ServeRAID software version earlier than Version 3.50, the View Configuration screens might show SCSI IDs or bay numbers. If the data shown on the View Configuration screen begins with '0', it denotes SCSI IDs. If the data shown on the View Configuration screen begins with '1', it denotes bay numbers.

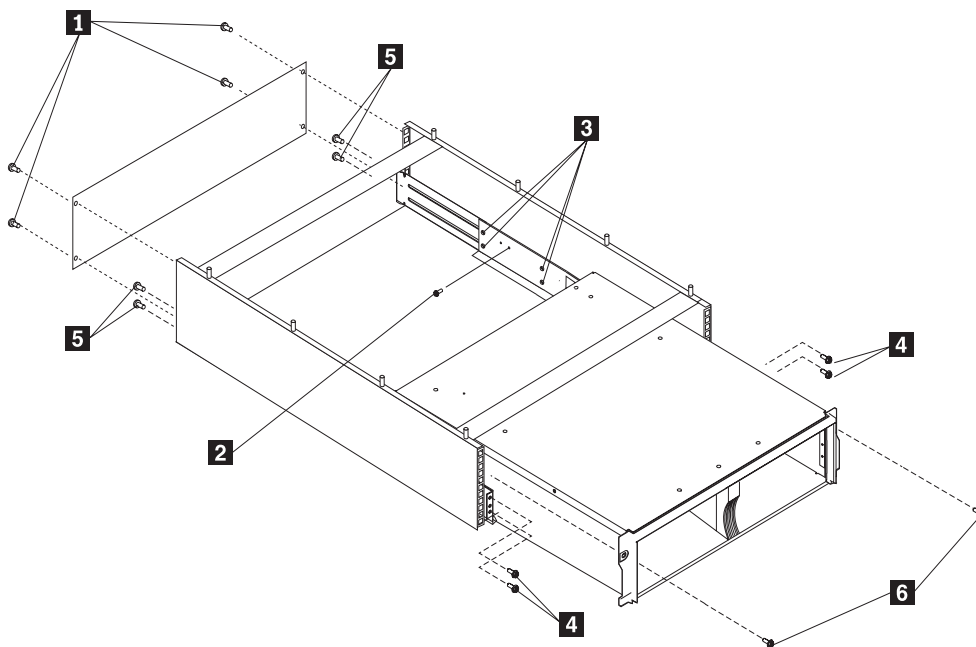
Installing the EXP300 in a NetBAY enclosure

NetBAY enclosures are stackable and each can store a different device, such as the EXP300 expansion unit. You also can attach a server to the top of the enclosure. Refer to the NetBAY documentation for details on installing other devices.

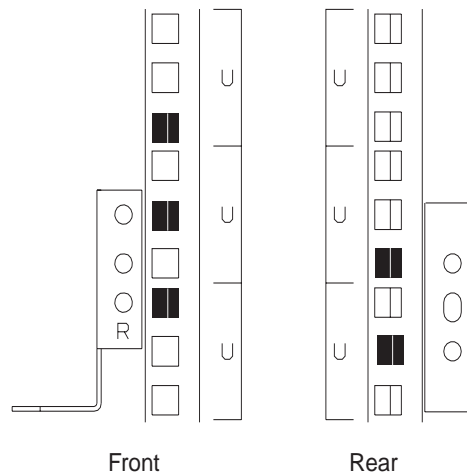
Note: Because of the depth of the NetBAY3 enclosure, it might be difficult to set the expansion unit option switches once installed. Verify that internal option switches 1 and 2 are set to Off, and that internal option switch 3 and the Unit ID dial ID switch are set properly for your environment (see “Setting the interface options and ID settings” on page 10 for more information).

To install the expansion unit in the enclosure, use the following procedure:

1. Remove the rear of the enclosure **1**.

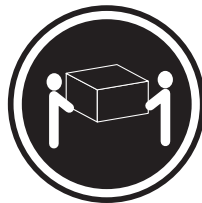


2. Use the following illustration of the front and rear rack-mounting flanges to determine the appropriate enclosure-mounting holes for installing cage nuts to secure your device and rails. From left to right, the illustration shows the front and rear flanges respectively.



3. On the rail marked *L*, loosen the four screws **3**.
4. Hold the rail against the outside of the left enclosure-mounting flange, and loosely insert the two M6 hex screws **4**.
5. Extend the rail outside of the rear enclosure mounting flange; then, install and tighten the two rear M6 hex screws **5**.
6. Tighten the two front hex screws **4**; then, tighten the four screws **3**.
Repeat step 3 through step 5 to install the rail marked *R* on the right side of the enclosure.
7. Loosely insert an M5 screw **2** into each rail.

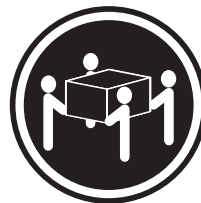
Statement 4



≥18 kg (37 lbs)



≥32 kg (70.5 lbs)



≥55 kg (121.2 lbs)

CAUTION:
Use safe practices when lifting.

8. Slide the expansion unit into the enclosure.
9. Insert two M6 screws **6**, and tighten the M5 screws **2**.
10. Install hard disk drives and power supplies in the EXP300 expansion unit according to “Locations” on page 8; then, continue with “Completing the installation” on page 35.

Completing the installation

After you install the hard disk drives and power supplies, follow the instructions in this section to complete the installation. Instructions for installing the identification labels and cabling the expansion unit are included.

Installing identification labels

Your expansion unit comes with one sheet of 10 labels (0-9) and one sheet of 4 labels (SCSI ID) labels.

Note: If you are installing the EXP300 expansion unit in a tower, refer to the information provided with the Rack-to-Tower Conversion Kit to set the option switches and install the SCSI ID labels.

Complete the following steps to install the SCSI identification labels:

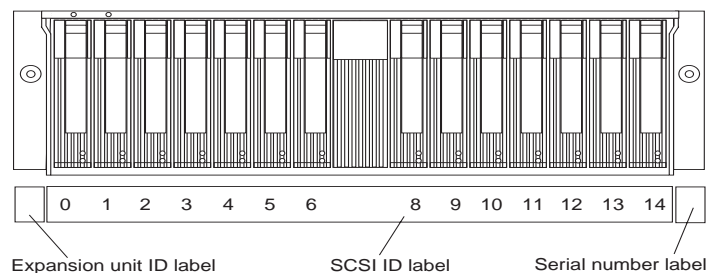
To install the label:

1. Locate the SCSI ID label for your configuration.

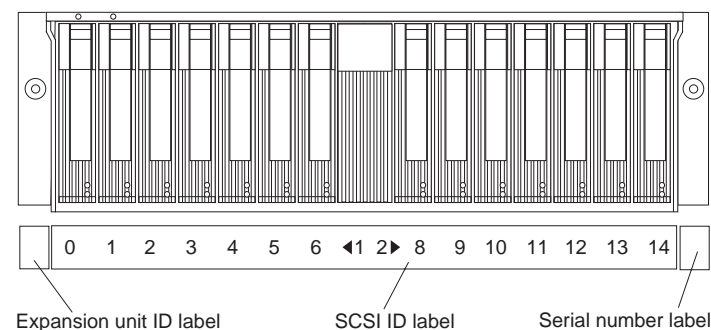
Note: For a dual-bus configuration, the SCSI ID label includes an arrow with a 1 and a 2 pointing to each bus. Use the single-bus label if internal option switch 3 is set to Off. Use the dual-bus label if internal option switch 3 is set to On.

- a. Orient the label so that the printed numbers are legible from left-to-right.
- b. Peel the backing away from the adhesive side of the label.
- c. Carefully butt the edge of the SCSI ID label up against the edge of the serial number label so that the 14 printed ID numbers are located beneath each of the drive bays.
- d. Apply the label to the front of the unit, as shown in the following illustrations.

Single-bus configuration



Dual-bus configuration



2. Install the expansion unit ID label.
 - a. Verify the setting of the expansion unit number switch (0-9).
 - b. Apply the expansion unit ID label that matches the setting for the unit ID switch in the blank label area directly to the left of the SCSI ID label.
3. Continue with “Cabling the expansion unit”.

Cabling the expansion unit

This section provides the SCSI and power cabling information. After you attach your SCSI and power cables, use the instructions provided in “Turning the expansion unit on and off” on page 3 for the initial startup of the expansion unit.

SCSI cabling information: The IBM Netfinity EXP300 comes with two ESM boards. There are two 68-pin SCSI Very High Density Connector Interface (VHDCI) connectors. From left to right as seen from the back, these connectors are for SCSI bus 2 and SCSI bus 1. (See “Rear controls, indicators, and connectors” on page 15 for the location of these connectors.) There are three ways to configure these buses.

Attention: A loss of data can occur if you change the position of internal switch 1 or internal switch 3 after storing data on the drives. Refer to “Conversion of EXP300 to a tower or from a tower” on page 25 if you previously stored data on the drives and you now want to change the configuration of your expansion unit from a rack to a tower orientation.

- To configure each bus independently:
 1. Verify that option switch 3 (inside the switch card) is set to On. (See “Setting the interface options and ID settings” on page 10 for more information.)
 2. Attach one external SCSI cable from the controller in the server to the SCSI-bus 1 connector.
 3. Attach a second external SCSI cable from the controller in the server to the SCSI-bus 2 connector.
- To configure the expansion unit as a single 14-drive SCSI bus:
 1. Verify that Option Switch 3 (inside the switch card) is set to Off. (See “Setting the interface options and ID settings” on page 10 for more information.)
 2. Attach one external SCSI cable from the controller in the server to either SCSI-bus connector.
- To configure the expansion unit as a cluster of 13 drives on a single SCSI bus when using IBM ServeRAID controllers:

Note: When clustering with IBM ServeRAID adapters, you must configure all 13 disk drives on a single SCSI bus. The drive bay with SCSI ID=6 is automatically disabled to avoid an ID conflict with one of the ServeRAID controllers.

 1. Verify that internal option switch 3 is set to Off. (See “Setting the interface options and ID settings” on page 10 for more information.)
 2. Attach one external SCSI cable from the controller in server 1 to the SCSI-bus 1 connector.
 3. Verify that the drive bay with SCSI ID=6 contains a filler panel.
 4. Verify that one of the ServeRAID controllers is set to SCSI ID=6.
 5. Attach a second external SCSI cable from the controller in server 2 to the SCSI-bus 2 connector.

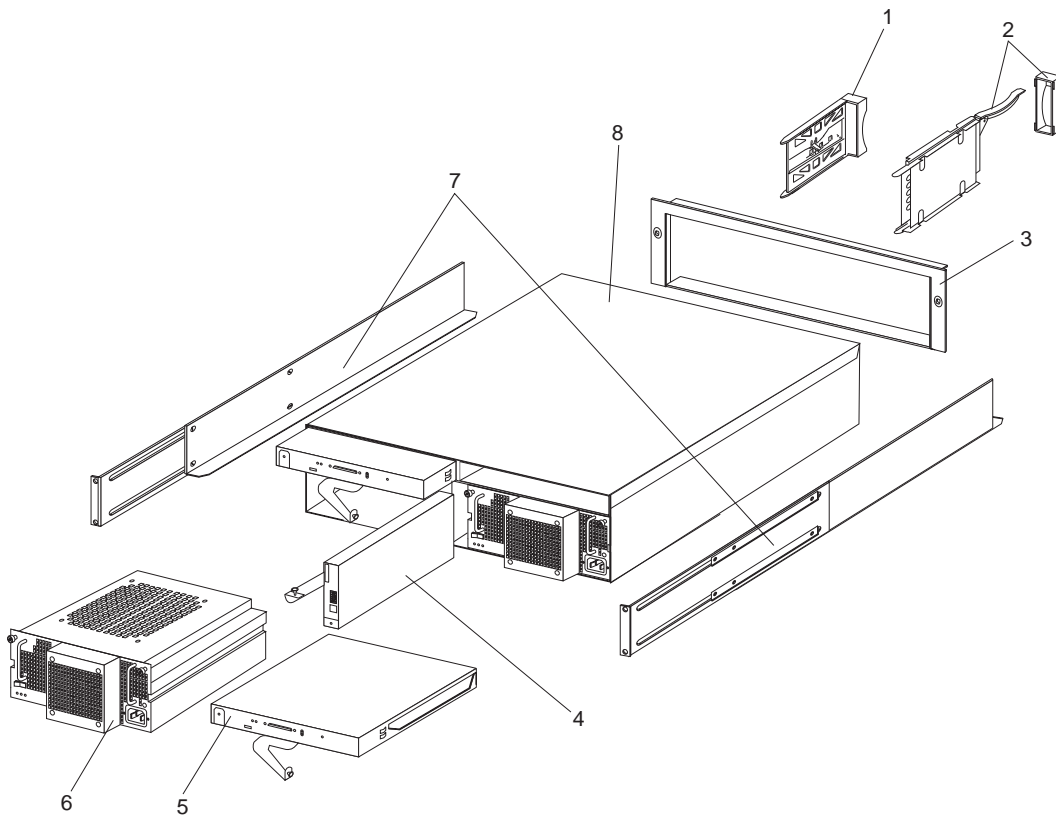
SCSI cable restriction: The SCSI controller inside your server must have a dedicated SCSI channel for the expansion unit. If an external channel is being used for the expansion unit, its corresponding internal channel must not be used for other devices.

Power cabling: The expansion unit uses two or four power cords, depending on your country. You can connect the power cords to a primary power unit inside the rack, such as a properly grounded ac distribution unit or uninterruptible power supply (UPS), or to an external source, such as a properly grounded electrical outlet.

Attach the power supply power cords as follows:

1. Connect the power cord to the power supply.
2. Plug the power supply cord into a properly grounded electrical outlet.
3. Go to “Turning the expansion unit on and off” on page 3 below for information about the initial startup of the expansion unit.

Parts Listing



System

Index	System (Netfinity EXP300 – Type 3531)	FRU No.
1	Filler Panel assembly	00N7259
2	Bridge card assembly	19K1172

Index	System (Netfinity EXP300 – Type 3531)	FRU No.
3	Front bezel	19K1168
4	Switch card assembly	19K1173
5	ESM card assembly	19K1171
6	Power supply unit	07K5985
7	Rail kit, left/right	19K1169
8	Midplane/Frame, EXP300 chassis	19K1170
	Miscellaneous hardware kit, contains:	19K1174
	<ul style="list-style-type: none"> • Label - Expansion Unit ID • Label - Expansion unit ID for tower • Label - rack/tower SCSI ID • Light pipe (1) • Bridge card cover (1) • M6 rail screws (2) • M6 Nut clips (2) • M6 Cage Nut (2) • Screw, M5x8L, SL Flat HD (2) • Screw, Slotted M5 (2) 	
	Line cord	6952300
	Line cord jumper, high voltage	36L8886
	Tower enclosure	19K1184
	Tower feet (4)	09N7269
	Tower lock/pawl/latch asm (1)	19K1186
	Tower front cover assembly	19K1223
 Options:		
	2 M LVD Cable	09N7276
	4 M LVD Cable	09N7278
	20 M LVD Cable	09N7282
	9.1 GB 7200 rpm SCSI Hard Disk Drive	37L6212
	18.2 GB 7200 rpm SCSI Hard Disk Drive	37L6213
	9.1 GB Ultra160 SCSI Hard Disk Drive	19K0610
	18.2 GB Ultra160 SCSI Hard Disk Drive	19K0611
	36.4 GB Ultra160 SCSI Hard Disk Drive	19K0612
	9.1 GB 10K rpm Ultra2 SCSI Hard Disk Drive	37L6216
	18.2 GB 10K rpm Ultra2 SCSI Hard Disk Drive	37L6217
	9.1 GB 10K rpm Ultra160 SCSI Hard Disk Drive	19K0613

Index	System (Netfinity EXP300 – Type 3531)	FRU No.
	18.2 GB 10K rpm Ultra160 SCSI Hard Disk Drive	19K0614
	36.4 GB 10K rpm Ultra160 SCSI Hard Disk Drive	19K0615
	EXP300 Rack-to-Tower Conversion Kit	09N7296

Power Cords

IBM power cord part number	Used in these countries and regions
13F9940	Argentina, Australia, China (PRC), New Zealand, Papua New Guinea, Paraguay, Uruguay, Western Samoa
13F9979	Afghanistan, Algeria, Andorra, Angola, Austria, Belgium, Benin, Bulgaria, Burkina Faso, Burundi, Cameroon, Central African Rep., Chad, Czech Republic, Egypt, Finland, France, French Guiana, Germany, Greece, Guinea, Hungary, Iceland, Indonesia, Iran, Ivory Coast, Jordan, Lebanon, Luxembourg, Macau, Malagasy, Mali, Martinique, Mauritania, Mauritius, Monaco, Morocco, Mozambique, Netherlands, New Caledonia, Niger, Norway, Poland, Portugal, Romania, Senegal, Slovakia, Spain, Sudan, Sweden, Syria, Togo, Tunisia, Turkey, former USSR, Vietnam, former Yugoslavia, Zaire, Zimbabwe
13F9997	Denmark
14F0015	Bangladesh, Burma, Pakistan, South Africa, Sri Lanka
14F0033	Antigua, Bahrain, Brunei, Channel Islands, Cyprus, Dubai, Fiji, Ghana, Hong Kong, India, Iraq, Ireland, Kenya, Kuwait, Malawi, Malaysia, Malta, Nepal, Nigeria, Polynesia, Qatar, Sierra Leone, Singapore, Tanzania, Uganda, United Kingdom, Yemen, Zambia
14F0051	Liechtenstein, Switzerland
14F0069	Chile, Ethiopia, Italy, Libya, Somalia
14F0087	Israel
1838574	Thailand
6952300	Bahamas, Barbados, Bermuda, Bolivia, Brazil, Canada, Cayman Islands, Colombia, Costa Rica, Dominican Republic, Ecuador, El Salvador, Guatemala, Guyana, Haiti, Honduras, Jamaica, Japan, Korea (South), Liberia, Mexico, Netherlands Antilles, Nicaragua, Panama, Peru, Philippines, Saudi Arabia, Suriname, Taiwan, Trinidad (West Indies), United States of America, Venezuela

Chapter 2. Related service information

Note: The service procedures are designed to help you isolate problems. They are written with the assumption that you have model-specific training on all computers, or that are familiar with the computers, functions, terminology, and service information provided in this manual.

Safety information

The following section contains the safety information that you need to be familiar with before servicing an IBM computer.

General safety

Follow these rules to ensure general safety:

- Observe good housekeeping in the area of the machines during and after maintenance.
- When lifting any heavy object:
 1. Ensure you can stand safely without slipping.
 2. Distribute the weight of the object equally between your feet.
 3. Use a slow lifting force. Never move suddenly or twist when you attempt to lift.
 4. Lift by standing or by pushing up with your leg muscles; this action removes the strain from the muscles in your back. *Do not attempt to lift any objects that weigh more than 16 kg (35 lb) or objects that you think are too heavy for you.*
- Do not perform any action that causes hazards to the customer, or that makes the equipment unsafe.
- Before you start the machine, ensure that other service representatives and the customer's personnel are not in a hazardous position.
- Place removed covers and other parts in a safe place, away from all personnel, while you are servicing the machine.
- Keep your tool case away from walk areas so that other people will not trip over it.
- Do not wear loose clothing that can be trapped in the moving parts of a machine. Ensure that your sleeves are fastened or rolled up above your elbows. If your hair is long, fasten it.
- Insert the ends of your necktie or scarf inside clothing or fasten it with a nonconductive clip, approximately 8 centimeters (3 inches) from the end.
- Do not wear jewelry, chains, metal-frame eyeglasses, or metal fasteners for your clothing.

Remember: Metal objects are good electrical conductors.
- Wear safety glasses when you are: hammering, drilling soldering, cutting wire, attaching springs, using solvents, or working in any other conditions that might be hazardous to your eyes.

- After service, reinstall all safety shields, guards, labels, and ground wires. Replace any safety device that is worn or defective.
- Reinstall all covers correctly before returning the machine to the customer.

Electrical safety



CAUTION:

Electrical current from power, telephone, and communication cables can be hazardous. To avoid personal injury or equipment damage, disconnect the attached power cords, telecommunication systems, networks, and modems before you open the server covers, unless instructed otherwise in the installation and configuration procedures.

Observe the following rules when working on electrical equipment.

Important: Use only approved tools and test equipment. Some hand tools have handles covered with a soft material that does not insulate you when working with live electrical currents.

Many customers have, near their equipment, rubber floor mats that contain small conductive fibers to decrease electrostatic discharges. Do not use this type of mat to protect yourself from electrical shock.

- Find the room emergency power-off (EPO) switch, disconnecting switch, or electrical outlet. If an electrical accident occurs, you can then operate the switch or unplug the power cord quickly.
- Do not work alone under hazardous conditions or near equipment that has hazardous voltages.
- Disconnect all power before:
 - Performing a mechanical inspection
 - Working near power supplies
 - Removing or installing main units
- Before you start to work on the machine, unplug the power cord. If you cannot unplug it, ask the customer to power-off the wall box that supplies power to the machine and to lock the wall box in the off position.
- If you need to work on a machine that has exposed electrical circuits, observe the following precautions:
 - Ensure that another person, familiar with the power-off controls, is near you.

Remember: Another person must be there to switch off the power, if necessary.
 - Use only one hand when working with powered-on electrical equipment; keep the other hand in your pocket or behind your back.

Remember: There must be a complete circuit to cause electrical shock. By observing the above rule, you may prevent a current from passing through your body.
 - When using testers, set the controls correctly and use the approved probe leads and accessories for that tester.
 - Stand on suitable rubber mats (obtained locally, if necessary) to insulate you from grounds such as metal floor strips and machine frames.

Observe the special safety precautions when you work with very high voltages; these instructions are in the safety sections of maintenance information. Use extreme care when measuring high voltages.

- Regularly inspect and maintain your electrical hand tools for safe operational condition.
- Do not use worn or broken tools and testers.
- *Never assume* that power has been disconnected from a circuit. First, *check* that it has been powered-off.
- Always look carefully for possible hazards in your work area. Examples of these hazards are moist floors, nongrounded power extension cables, power surges, and missing safety grounds.
- Do not touch live electrical circuits with the reflective surface of a plastic dental mirror. The surface is conductive; such touching can cause personal injury and machine damage.
- Do not service the following parts with the power on when they are removed from their normal operating places in a machine:
 - Power supply units
 - Pumps
 - Blowers and fans
 - Motor generators

and similar units. (This practice ensures correct grounding of the units.)

- If an electrical accident occurs:
 - Use caution; do not become a victim yourself.
 - Switch off power.
 - Send another person to get medical aid.

Safety inspection guide

The intent of this inspection guide is to assist you in identifying potentially unsafe conditions on these products. Each machine, as it was designed and built, had required safety items installed to protect users and service personnel from injury. This guide addresses only those items. However, good judgment should be used to identify potential safety hazards due to attachment of non-IBM features or options not covered by this inspection guide.

If any unsafe conditions are present, you must determine how serious the apparent hazard could be and whether you can continue without first correcting the problem.

Consider these conditions and the safety hazards they present:

- Electrical hazards, especially primary power (primary voltage on the frame can cause serious or fatal electrical shock).
- Explosive hazards, such as a damaged CRT face or bulging capacitor
- Mechanical hazards, such as loose or missing hardware

The guide consists of a series of steps presented in a checklist. Begin the checks with the power off, and the power cord disconnected.

Checklist:

1. Check exterior covers for damage (loose, broken, or sharp edges).
2. Power-off the computer. Disconnect the power cord.
3. Check the power cord for:
 - a. A third-wire ground connector in good condition. Use a meter to measure third-wire ground continuity for 0.1 ohm or less between the external ground pin and frame ground.
 - b. The power cord should be the appropriate type as specified in the parts listings.
 - c. Insulation must not be frayed or worn.
4. Remove the cover.
5. Check for any obvious non-IBM alterations. Use good judgment as to the safety of any non-IBM alterations.
6. Check inside the unit for any obvious unsafe conditions, such as metal filings, contamination, water or other liquids, or signs of fire or smoke damage.
7. Check for worn, frayed, or pinched cables.
8. Check that the power-supply cover fasteners (screws or rivets) have not been removed or tampered with.

Handling electrostatic discharge-sensitive devices

Any computer part containing transistors or integrated circuits (ICs) should be considered sensitive to electrostatic discharge (ESD). ESD damage can occur when there is a difference in charge between objects. Protect against ESD damage by equalizing the charge so that the machine, the part, the work mat, and the person handling the part are all at the same charge.

Notes:

1. Use product-specific ESD procedures when they exceed the requirements noted here.
2. Make sure that the ESD protective devices you use have been certified (ISO 9000) as fully effective.

When handling ESD-sensitive parts:

- Keep the parts in protective packages until they are inserted into the product.
- Avoid contact with other people.
- Wear a grounded wrist strap against your skin to eliminate static on your body.
- Prevent the part from touching your clothing. Most clothing is insulative and retains a charge even when you are wearing a wrist strap.
- Use the black side of a grounded work mat to provide a static-free work surface. The mat is especially useful when handling ESD-sensitive devices.
- Select a grounding system, such as those listed below, to provide protection that meets the specific service requirement.

Note: The use of a grounding system is desirable but not required to protect against ESD damage.

- Attach the ESD ground clip to any frame ground, ground braid, or green-wire ground.
- Use an ESD common ground or reference point when working on a double-insulated or battery-operated system. You can use coax or connector-outside shells on these systems.

- Use the round ground-prong of the ac plug on ac-operated computers.

Grounding requirements

Electrical grounding of the computer is required for operator safety and correct system function. Proper grounding of the electrical outlet can be verified by a certified electrician.

Safety notices (multi-lingual translations)

The caution and danger safety notices in this section are provided in the following languages:

- English
- Brazilian/Portuguese
- Chinese
- French
- German
- Italian
- Korean
- Spanish

Important:

All caution and danger statements in this section begin with a number. This number is used to cross reference an English caution or danger statement with translated versions of the caution or danger statement in this section.

For example, if a caution statement begins with a number 1, translations for that caution statement appear in this section under statement 1.

Be sure to read all caution and danger statements before performing any of the instructions.

- Statement 1



DANGER

Electrical current from power, telephone and communication cables is hazardous.

To avoid a shock hazard:

- **Do not connect or disconnect any cables or perform installation, maintenance, or reconfiguration of this product during an electrical storm.**
- **Connect all power cords to a properly wired and grounded electrical outlet.**
- **Connect to properly wired outlets any equipment that will be attached to this product.**
- **When possible, use one hand only to connect or disconnect signal cables.**
- **Never turn on any equipment when there is evidence of fire, water, or structural damage.**

- **Disconnect the attached power cords, telecommunications systems, networks, and modems before you open the device covers, unless instructed otherwise in the installation and configuration procedures.**
- **Connect and disconnect cables as described in the following table when installing, moving, or opening covers on this product or attached devices.**

To Connect	To Disconnect
1. Turn everything OFF.	1. Turn everything OFF.
2. First, attach all cables to devices.	2. First, remove power cords from outlet.
3. Attach signal cables to connectors.	3. Remove signal cables from connectors.
4. Attach power cords to outlet.	4. Remove all cables from devices.
5. Turn device ON.	

- Statement 2



CAUTION:

When replacing the lithium battery, use only IBM Part Number 33F8354 or an equivalent type battery recommended by the manufacturer. If your system has a module containing a lithium battery, replace it only with the same module type made by the same manufacturer. The battery contains lithium and can explode if not properly used, handled, or disposed of.

Do not:

- **Throw or immerse into water**
- **Heat to more than 100°C (212°F)**
- **Repair or disassemble**

Dispose of the battery as required by local ordinances or regulations.

- Statement 3



CAUTION:

When laser products (such as CD-ROMs, DVD-ROM drives, fiber optic devices, or transmitters) are installed, note the following:

- **Do not remove the covers. Removing the covers of the laser product could result in exposure to hazardous laser radiation. There are no serviceable parts inside the device.**
- **Use of controls or adjustments or performance of procedures other than those specified herein might result in hazardous radiation exposure.**

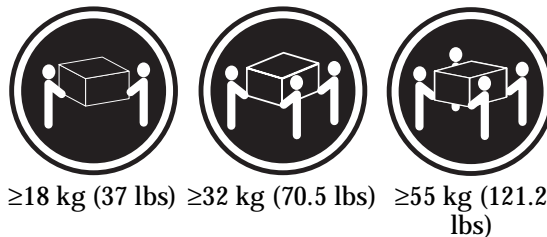


DANGER

Some laser products contain an embedded Class 3A or Class 3B laser diode. Note the following:

Laser radiation when open. Do not stare into the beam, do not view directly with optical instruments, and avoid direct exposure to the beam.

- Statement 4

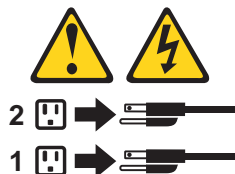


CAUTION:
Use safe practices when lifting.

- Statement 5



CAUTION:
The power control button on the device and the power switch on the power supply do not turn off the electrical current supplied to the device. The device also might have more than one power cord. To remove all electrical current from the device, ensure that all power cords are disconnected from the power source.



- Statement 10

CAUTION:

Do not place any object weighing more than 82 kg (180 lbs.) on top of rack-mounted devices.



Importante:

Todas as instruções de cuidado e perigo da *Netfinity Server Library* começam com um número. Este número é utilizado para fazer referência cruzada de uma instrução de cuidado ou perigo no idioma inglês com as versões traduzidas das instruções de cuidado ou perigo encontradas nesta seção.

Por exemplo, se uma instrução de cuidado é iniciada com o número 1, as traduções para aquela instrução de cuidado aparecem nesta seção sob a instrução 1.

Certifique-se de ler todas as instruções de cuidado e perigo antes de executar qualquer operação.

Instrução 1**PERIGO**

A corrente elétrica proveniente de cabos de alimentação, de telefone e de comunicações é perigosa.

Para evitar risco de choque:

- Não conecte ou desconecte cabos e não realize instalação, manutenção ou reconfiguração deste produto durante uma tempestade com raios.
- Conecte todos os cabos de alimentação a tomadas elétricas corretamente instaladas e aterradas.
- Conecte todos os equipamentos ao qual esse produto será conectado a tomadas corretamente instaladas.
- Sempre que possível, utilize apenas uma das mãos para conectar ou desconectar cabos de sinal.
- Nunca ligue qualquer equipamento quando existir evidência de danos por fogo, água ou na estrutura.
- Desconecte cabos de alimentação, sistemas de telecomunicação, redes e modems antes de abrir as tampas dos dispositivos, a menos que especificado de maneira diferente nos procedimentos de instalação e configuração.
- Conecte e desconecte cabos conforme descrito na seguinte tabela, ao instalar ou movimentar este produto ou os dispositivos conectados, ou ao abrir suas tampas.

Para Conectar:	Para Desconectar:
<ol style="list-style-type: none"> 1. DESLIGUE Tudo. 2. Primeiramente, conecte todos os cabos aos dispositivos. 3. Conecte os cabos de sinal aos conectores. 4. Conecte os cabos de alimentação às tomadas. 5. LIGUE os dispositivos. 	<ol style="list-style-type: none"> 1. DESLIGUE Tudo. 2. Primeiramente, remova os cabos de alimentação das tomadas. 3. Remova os cabos de sinal dos conectores. 4. Remova todos os cabos dos dispositivos.

Instrução 2



CUIDADO:

Ao substituir a bateria de lítio, utilize apenas uma bateria IBM, Número de Peça 33F8354 ou uma bateria de tipo equivalente, recomendada pelo fabricante. Se o seu sistema possui um módulo com uma bateria de lítio, substitua-o apenas pelo mesmo tipo de módulo, do mesmo fabricante. A bateria contém lítio e pode explodir se não for utilizada, manuseada e descartada de maneira correta.

Não:

- Jogue ou coloque na água
- Aqueça a mais de 100°C (212°F)
- Conserte nem desmonte

Para descartar a bateria, entre em contato com a área de atendimento a clientes IBM, pelo telefone (011) 889-8986, para obter informações sobre como enviar a bateria pelo correio para a IBM.

Instrução 3



PRECAUCIÓN:

Quando produtos a laser (unidades de CD-ROM, unidades de DVD, dispositivos de fibra ótica, transmissores, etc.) estiverem instalados, observe o seguinte:

- Não remova as tampas. A remoção das tampas de um produto a laser pode resultar em exposição prejudicial à radiação de laser. Nenhuma peça localizada no interior do dispositivo pode ser consertada.
- A utilização de controles ou ajustes ou a execução de procedimentos diferentes dos especificados aqui pode resultar em exposição prejudicial à radiação.

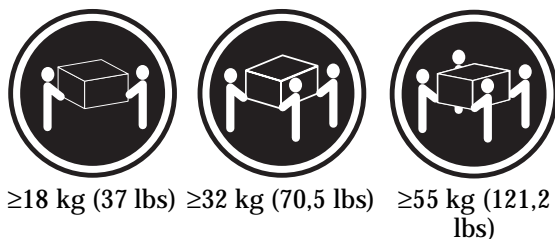
PERIGO



Alguns produtos a laser contêm um diodo laser da Classe 3A ou Classe 3B embutido. Observe o seguinte:

Radiação de laser quando aberto. Não olhe diretamente para o raio a olho nu ou com instrumentos óticos, e evite exposição direta ao raio.

Instrução 4



CUIDADO:

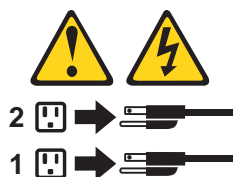
Ao levantar a máquina, faça-o com segurança.

Instrução 5



CUIDADO:

Os botões Liga/Desliga localizados no dispositivo e na fonte de alimentação não desligam a corrente elétrica fornecida ao dispositivo. O dispositivo também pode ter mais de um cabo de alimentação. Para remover toda a corrente elétrica do dispositivo, assegure que todos os cabos de alimentação estejam desconectados da fonte de energia elétrica.



CUIDADO:

Instrução 10



CUIDADO:



Não coloque nenhum objeto com peso superior a 82 kg (180 lbs.) sobre dispositivos montados em rack.

重要:

Netfinity Server Library 中的所有提醒和危险条款前都有一个数字标识。该数字是用来交叉引用一个英文的提醒和危险条款及本部分中的与之对应的已翻译成其它文字的提醒和危险条款。

例如，如果一个提醒条款前的数字为 1，则本部分中相应的译文也带有标号 1。

在执行任何指示的操作之前，请确保您已经阅读了全部提醒和危险条款。

声明 1



危险

电源、电话和通信电缆中带有危险电流。
为避免电击：
雷电期间不要拆接电缆或安装、维修及重新配置本产品。
将所有电源线连接至正确布线并已安全接地的电源插座上。
将与本产品连接的所有设备连接至正确布线的插座上。
尽量只使用单手拆接信号电缆。
有水、火及结构损坏迹象时，请勿打开任何设备。
除非在安装配置过程中有明确指示，否则，打开设备机盖前应先断开与电源线、远程通信系统、网络和调制解调器的所有连接。
安装、移动或打开本产品及其附带设备的机盖时，应按下表所述连接和断开电缆。

- | 连接时: | 断开连接时: |
|------------------|-----------------|
| 1. 关闭所有设备。 | 1. 关闭所有设备。 |
| 2. 首先将所有电缆连接至设备。 | 2. 首先从插座中拔出电源线。 |
| 3. 将信号电缆连接至接口。 | 3. 从接口上拔下信号电缆。 |
| 4. 将电源线连接至插座。 | |

声明 2



警告:

更换锂电池时，只能使用 IBM 产品号 33F8354 或者是厂商推荐的等同类型的电池。

如果系统模块中含有锂电池，则只能使用同一厂商制造的同一类型的模块进行更换。电池中含有锂，如果使用、拿放或处理不当，可能会发生爆炸。

请勿对电池进行下列操作：
扔入或浸入水电。
加热超过 100 (212 F)
进行修理或分解
请按本地法规要求处理电池。

声明 3



警告:

安装激光产品（如 CD-ROM、DVD 驱动器、光纤设备或送话器）时，应注意以下事项：

不要拆除外盖。拆除激光产品的外盖可能会导致激光辐射的危险，本设备中没有用户可维修的部件。

非此处指定的其它控制、调整或与性能有关的操作都有可能致激光辐射的危险。



危险

某些激光产品中包含内嵌的 3A 级或 3B 级激光二极管。请注意以下事项。
打开时会产生激光辐射。不要直视光束，不要使用光学仪器直接观看光束，避免直接暴露于光束之下。

声明 4



≥18 kg (37 磅)



≥32 kg (70.5 磅)



≥55 kg (121.2 磅)

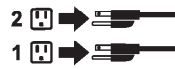
警告：
抬起时请采用安全操作方法。

声明 5



警告：

使用设备上的电源控制按钮和电源上的开关都不能断开本设备上的电流。
另外，本设备可能带有多条电源线。如要断开设备上的所有电流，请确
保所有电源线均已与电源断开连接。



声明 6



警告：

如果在电源线连接设备的一端安装了固定松紧夹，则必须将电源线的另一端连接至
使用方便的电源。

声明 7



警告:

如果设备带有外门，则在移动或抬起设备前应将其拆除或固定以避免造成人员伤害。外门支撑不了设备的重量。

声明 8



警告:

不要拆除电源外盖或贴有下列标签的任何部件。



贴有此标签的组件内部存在高电压、高电流的危险。这些组件中没有用户可维修的部件。如果怀疑其中的部件存在问题，应与服务技术人员联系。

声明 9



警告:

为避免人员伤害，拆除设备上的风扇前应按下热插拔风扇电缆。

声明 10



警告:

机柜安装的设备上面不能放置重于 82kg (180 磅) 的物品。



> 82 kg (180 磅)

声明 11



警告:

下面的标签表明附近有锋利的边、角或接头。



声明 12



警告:

下面的标签表明附近有高热表面。



重要資訊：

Netfinity Server Library 中所有「注意」及「危險」的聲明均以數字開始。此一數字是用來作為交互參考之用，英文「注意」或「危險」聲明可在本節中找到相同內容的「注意」或「危險」聲明的譯文。

例如，有一「危險」聲明以數字 1 開始，則該「危險」聲明的譯文將出現在本節的「聲明」1 中。

執行任何指示之前，請詳讀所有「注意」及「危險」的聲明。

聲明 1



危險

電源、電話及通信電纜上所產生的電流均有危險性。

欲避免電擊危險：

- 在雷雨期間，請勿連接或切斷本產品上的任何電纜線，或安裝、維修及重新架構本產品。
- 請將電源線接至接線及接地正確的電源插座。
- 請將本產品隨附的設備連接至接線正確的插座。
- 儘可能使用單手來連接或切斷信號電纜線。
- 當設備有火燒或泡水的痕跡，或有結構性損害時，請勿開啓該設備的電源。
- 在安裝及架構之時，若非非常熟悉，在開啓裝置蓋子之前，請切斷電源線、電信系統、網路及數據機。
- 在安裝、移動本產品或附加裝置，或開啓其蓋子時，請依照下表中「連接」及「切斷」電纜線的步驟執行。

連接：

1. 關閉所有開關。
2. 先將所有電纜線接上裝置。
3. 將信號電纜接上接頭。
4. 再將電源線接上電源插座。
5. 開啓裝置的電源。

切斷：

1. 關閉所有開關。
2. 先自電源插座拔掉電源線。
3. 拔掉接頭上的所有信號電纜。
4. 再拔掉裝置上的所有電纜線。

聲明 2



注意：

更換鋰電池時，只可使用 IBM 零件編號 33F8354 的電池，或製造商建議之相當類型的電池。若系統中具有包含鋰電池的模組，在更換此模組時，請使用相同廠商製造的相同模組類型。如未正確使用、處理或丟棄含有鋰的電池時，可能會引發爆炸。

請勿將電池：

- 丟入或浸入水中
- 加熱超過 100 °C (212 °F)
- 修理或拆開

請遵照當地法令規章處理廢棄電池。

聲明 3



注意：

安裝雷射產品(如 CD-ROM、DVD 光碟機、光纖裝置或發射器)時，請注意下列事項：

- 請勿移開蓋子。移開雷射產品的蓋子，您可能會暴露於危險的雷射輻射之下。裝置中沒有需要維修的組件。
- 不依此處所指示的控制、調整或處理步驟，您可能會暴露於危險的輻射之下。



危險

有些雷射產品含有內嵌式 Class 3A 或 Class 3B 雷射二極體。請注意下列事項：

開啓時會產生雷射輻射。請勿凝視光束，不要使用光學儀器直接觀察，且應避免直接暴露在光束下。

聲明 4



≥ 18 公斤 (37 磅) ≥ 32 公斤 (70.5 磅) ≥ 55 公斤 (121.2 磅)

注意：

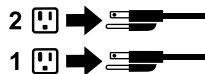
抬起裝置時，請注意安全措施。

聲明 5



注意：

裝置上的電源控制按鈕及電源供應器上的電源開關均無法關閉裝置上的電流。本裝置可能有一條以上的電源線。如要移除裝置上的所有電流，請確認所有電源線已與電源分離。



聲明 10



注意：

請勿將任何重量超過 82 公斤 (180 磅) 的物品置於已安裝機架的裝置上方。



> 82 公斤 (180 磅)

Important:

Toutes les consignes Attention et Danger indiquées dans la bibliothèque *Netfinity Server* sont précédées d'un numéro. Ce dernier permet de mettre en correspondance la consigne en anglais avec ses versions traduites dans la présente section.

Par exemple, si une consigne de type Attention est précédée du chiffre 1, ses traductions sont également précédées du chiffre 1 dans la présente section.

Prenez connaissance de toutes les consignes de type Attention et Danger avant de procéder aux opérations décrites par les instructions.

Notice n° 1



DANGER

Le courant électrique passant dans les câbles de communication, ou les cordons téléphoniques et d'alimentation peut être dangereux.

Pour éviter tout risque de choc électrique:

- Ne manipulez aucun câble et n'effectuez aucune opération d'installation, d'entretien ou de reconfiguration de ce produit au cours d'un orage.
- Branchez tous les cordons d'alimentation sur un socle de prise de courant correctement câblé et mis à la terre.
- Branchez sur des socles de prise de courant correctement câblés tout équipement connecté à ce produit.
- Lorsque cela est possible, n'utilisez qu'une seule main pour connecter ou déconnecter les câbles d'interface.
- Ne mettez jamais un équipement sous tension en cas d'incendie ou d'inondation, ou en présence de dommages matériels.
- Avant de retirer les carters de l'unité, mettez celle-ci hors tension et déconnectez ses cordons d'alimentation, ainsi que les câbles qui la relient aux réseaux, aux systèmes de télécommunication et aux modems (sauf instruction contraire mentionnée dans les procédures d'installation et de configuration).
- Lorsque vous installez ou que vous déplacez le présent produit ou des périphériques qui lui sont raccordés, reportez-vous aux instructions ci-dessous pour connecter et déconnecter les différents cordons.

Connexion	Déconnexion
1. Mettez les unités hors tension.	1. Mettez les unités hors tension.
2. Commencez par brancher tous les cordons sur les unités.	2. Débranchez les cordons d'alimentation des prises.
3. Branchez les câbles d'interface sur des connecteurs.	3. Débranchez les câbles d'interface des connecteurs.
4. Branchez les cordons d'alimentation sur des prises.	4. Débranchez tous les câbles des unités.
5. Mettez les unités sous tension.	



Notice n° 2

ATTENTION:

Remplacez la pile au lithium usagée par une pile de référence identique exclusivement - voir la référence IBM - ou par une pile équivalente recommandée par le fabricant. Si votre système est doté d'un module contenant une pile au lithium, vous devez le remplacer uniquement par un module identique, produit par le même fabricant. La pile contient du lithium et présente donc un risque d'explosion en cas de mauvaise manipulation ou utilisation.

- **Ne la jetez pas à l'eau.**
- **Ne l'exposez pas à une température supérieure à 100 °C.**
- **Ne cherchez pas à la réparer ou à la démonter.**

Pour la mise au rebut, reportez-vous à la réglementation en vigueur.



Notice n° 3

ATTENTION:

Si des produits laser sont installés (tels que des unités de CD-ROM ou de DVD, des périphériques contenant des fibres optiques ou des émetteurs-récepteurs), prenez connaissance des informations suivantes:

- **N'ouvrez pas ces produits pour éviter une exposition directe au rayon laser. Vous ne pouvez effectuer aucune opération de maintenance à l'intérieur.**
- **Pour éviter tout risque d'exposition au rayon laser, respectez les consignes de réglage et d'utilisation des commandes, ainsi que les procédures décrites dans le présent document.**



DANGER

Certains produits laser contiennent une diode laser de classe 3A ou 3B. Prenez connaissance des informations suivantes:

Rayonnement laser lorsque le carter est ouvert. évitez de regarder fixement le faisceau ou de l'observer à l'aide d'instruments optiques. évitez une exposition directe au rayon.

Notice n° 4



≥18 kg



≥32 kg



≥55 kg

ATTENTION:

Faites-vous aider pour soulever ce produit.

Notice n° 5



ATTENTION:

Le bouton de mise sous tension/hors tension de l'unité et l'interrupteur d'alimentation du bloc d'alimentation ne coupent pas l'arrivée de courant électrique à l'intérieur de la machine. Il se peut que votre unité dispose de plusieurs cordons d'alimentation. Pour isoler totalement l'unité du réseau électrique, débranchez tous les cordons d'alimentation des socles de prise de courant.



Notice n° 10



ATTENTION:

Ne posez pas d'objet dont le poids dépasse 82 kg sur les unités montées en armoire.

Wichtig:

Alle Sicherheitshinweise in dieser *Netfinity Server-Bibliothek* beginnen mit einer Nummer. Diese Nummer verweist auf einen englischen Sicherheitshinweis mit den übersetzten Versionen dieses Hinweises in diesem Abschnitt.

Wenn z. B. ein Sicherheitshinweis mit der Nummer 1 beginnt, so erscheint die Übersetzung für diesen Sicherheitshinweis in diesem Abschnitt unter dem Hinweis 1.

Lesen Sie alle Sicherheitshinweise, bevor Sie eine Anweisung ausführen.

Hinweis 1



VORSICHT

Elektrische Spannungen von Netz-, Telefon- und Datenübertragungsleitungen sind gefährlich.

Aus Sicherheitsgründen:

- Bei Gewitter an diesem Gerät keine Kabel anschließen oder lösen. Ferner keine Installations-, Wartungs- oder Rekonfigurationsarbeiten durchführen.
- Gerät nur an eine Schutzkontaktsteckdose mit ordnungsgemäß geerdetem Schutzkontakt anschließen.
- Alle angeschlossenen Geräte ebenfalls an Schutzkontaktsteckdosen mit ordnungsgemäß geerdetem Schutzkontakt anschließen.
- Signalkabel möglichst einhändig anschließen oder lösen.
- Keine Geräte einschalten, wenn die Gefahr einer Beschädigung durch Feuer, Wasser oder andere Einflüsse besteht.
- Die Verbindung zu den angeschlossenen Netzkabeln, Telekommunikationssystemen, Netzwerken und Modems ist vor dem Öffnen des Gehäuses zu unterbrechen. Es sei denn, dies ist in den zugehörigen Installations- und Konfigurationsprozeduren anders angegeben.
- Nur nach den nachfolgend aufgeführten Anweisungen arbeiten, die für Installation, Transport oder Öffnen von Gehäusen von Personal Computern oder angeschlossenen Einheiten gelten.

Kabel anschließen:	Kabel lösen:
<ol style="list-style-type: none"> 1. Alle Geräte ausschalten und Netzstecker ziehen. 2. Zuerst alle Kabel an Einheiten anschließen. 3. Signalkabel an Anschlußbuchsen anschließen. 4. Netzstecker an Steckdose anschließen. 5. Gerät einschalten. 	<ol style="list-style-type: none"> 1. Alle Geräte ausschalten. 2. Zuerst Netzstecker von Steckdose lösen. 3. Signalkabel von Anschlußbuchsen lösen. 4. Alle Kabel von Einheiten lösen.

Hinweis 2



ACHTUNG:

Eine verbrauchte Batterie nur durch eine Batterie mit der IBM Teilenummer 33F8354 oder durch eine vom Hersteller empfohlene Batterie ersetzen. Wenn Ihr System ein Modul mit einer Lithium-Batterie enthält, ersetzen Sie es immer mit dem selben Modultyp vom selben Hersteller. Die Batterie enthält Lithium und kann bei unsachgemäßer Verwendung, Handhabung oder Entsorgung explodieren.

Die Batterie nicht:

- mit Wasser in Berührung bringen.
- über 100 C erhitzen.
- reparieren oder zerlegen.

Die örtlichen Bestimmungen für die Entsorgung von Sondermüll beachten.

Hinweis 3



ACHTUNG:

Wenn ein Laserprodukt (z. B. CD-ROM-Laufwerke, DVD-Laufwerke, Einheiten mit Glasfaserkabeln oder Transmitter) installiert ist, beachten Sie folgendes.

- Das Entfernen der Abdeckungen des CD-ROM-Laufwerks kann zu gefährlicher Laserstrahlung führen. Es befinden sich keine Teile innerhalb des CD-ROM-Laufwerks, die vom Benutzer gewartet werden müssen. Die Verkleidung des CD-ROM-Laufwerks nicht öffnen.

- Steuer- und Einstellelemente sowie Verfahren nur entsprechend den Anweisungen im vorliegenden Handbuch einsetzen. Andernfalls kann gefährliche Laserstrahlung auftreten.



VORSICHT

Manche CD-ROM-Laufwerke enthalten eine eingebaute Laserdiode der Klasse 3A oder 3B. Die nachfolgend aufgeführten Punkte beachten.

Laserstrahlung bei geöffneter Tür. Niemals direkt in den Laserstrahl sehen, nicht direkt mit optischen Instrumenten betrachten und den Strahlungsbereich meiden.

Hinweis 4



ACHTUNG:

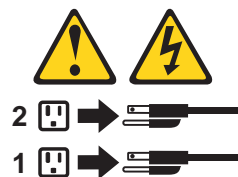
Beim Anheben der Maschine die vorgeschriebenen Sicherheitsbestimmungen beachten.

Hinweis 5



ACHTUNG:

Mit dem Betriebsspannungsschalter an der Vorderseite des Servers und dem Betriebsspannungsschalter am Netzteil wird die Stromversorgung für den Server nicht unterbrochen. Der Server könnte auch mehr als ein Netzkabel aufweisen. Um die gesamte Stromversorgung des Servers auszuschalten, muß sichergestellt werden, daß alle Netzkabel aus den Netzsteckdosen herausgezogen wurden.



Hinweis 10



ACHTUNG:



Keine Gegenstände, die mehr als 82 kg wiegen, auf Rack-Einheiten ablegen.

Importante:

Tutti gli avvisi di attenzione e di pericolo riportati nella pubblicazione *Netfinity Server Library* iniziano con un numero. Questo numero viene utilizzato per confrontare avvisi di attenzione o di pericolo in inglese con le versioni tradotte riportate in questa sezione.

Ad esempio, se un avviso di attenzione inizia con il numero 1, la relativa versione tradotta è presente in questa sezione con la stessa numerazione.

Prima di eseguire una qualsiasi istruzione, accertarsi di leggere tutti gli avvisi di attenzione e di pericolo.

Avviso 1

**PERICOLO**

La corrente elettrica circolante nei cavi di alimentazione, del telefono e di segnale è pericolosa.

Per evitare il pericolo di scosse elettriche:

- Non collegare o scollegare i cavi, non effettuare l'installazione, la manutenzione o la riconfigurazione di questo prodotto durante i temporali.
- Collegare tutti i cavi di alimentazione ad una presa elettrica correttamente cablata e munita di terra di sicurezza.
- Collegare qualsiasi apparecchiatura collegata a questo prodotto ad una presa elettrica correttamente cablata e munita di terra di sicurezza.
- Quando possibile, collegare o scollegare i cavi di segnale con una sola mano.
- Non accendere qualsiasi apparecchiatura in presenza di fuoco, acqua o se sono presenti danni all'apparecchiatura stessa.
- Scollegare i cavi di alimentazione, i sistemi di telecomunicazioni, le reti e i modem prima di aprire i coperchi delle unità, se non diversamente indicato nelle procedure di installazione e configurazione.
- Collegare e scollegare i cavi come descritto nella seguente tabella quando si effettuano l'installazione, la rimozione o l'apertura dei coperchi di questo prodotto o delle unità collegate.

Per collegare:	Per scollegare:
1. SPEGNERE tutti i dispositivi.	1. SPEGNERE tutti i dispositivi.
2. Collegare prima tutti i cavi alle unità.	2. Rimuovere prima i cavi di alimentazione dalle prese elettriche.
3. Collegare i cavi di segnale ai connettori.	3. Rimuovere i cavi di segnale dai connettori.
4. Collegare i cavi di alimentazione alle prese elettriche.	4. Rimuovere tutti i cavi dalle unità.
5. ACCENDERE le unità.	

Avviso 2



ATTENZIONE:

Quando si sostituisce la batteria al litio, utilizzare solo una batteria IBM con numero parte 33F8354 o batterie dello stesso tipo o di tipo equivalente consigliate dal produttore. Se il sistema di cui si dispone è provvisto di un modulo contenente una batteria al litio, sostituire tale batteria solo con un tipo di modulo uguale a quello fornito dal produttore. La batteria contiene litio e può esplodere se utilizzata, maneggiata o smaltita impropriamente.

Evitare di:

- Gettarla o immergerla in acqua
- Riscaldarla ad una temperatura superiore ai 100°C
- Cercare di ripararla o smontarla

Smaltire secondo la normativa in vigore (D.Lgs 22 del 5/2/9) e successive disposizioni nazionali e locali.

Avviso 3



ATTENZIONE:

Quando si installano prodotti laser come, ad esempio, le unità DVD, CD-ROM, a fibre ottiche o trasmettitori, prestare attenzione a quanto segue:

- Non rimuovere i coperchi. L'apertura dei coperchi di prodotti laser può determinare l'esposizione a radiazioni laser pericolose. All'interno delle unità non vi sono parti su cui effettuare l'assistenza tecnica.
- L'utilizzo di controlli, regolazioni o l'esecuzione di procedure non descritti nel presente manuale possono provocare l'esposizione a radiazioni pericolose.

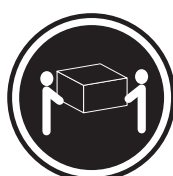


PERICOLO

Alcuni prodotti laser contengono all'interno un diodo laser di Classe 3A o Classe 3B. Prestare attenzione a quanto segue:

Aperto l'unità vengono emesse radiazioni laser. Non fissare il fascio, non guardarlo direttamente con strumenti ottici ed evitare l'esposizione diretta al fascio.

Avviso 4



≥18 kg



≥32 kg



≥55 kg

ATTENZIONE:

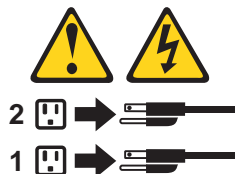
Durante il sollevamento della macchina seguire delle norme di sicurezza.

Avviso 5



ATTENZIONE:

Il pulsante del controllo dell'alimentazione situato sull'unità e l'interruttore di alimentazione posto sull'alimentatore non disattiva la corrente elettrica fornita all'unità. L'unità potrebbe disporre di più di un cavo di alimentazione. Per disattivare la corrente elettrica dall'unità, accertarsi che tutti i cavi di alimentazione siano scollegati dalla sorgente di alimentazione.



Avviso 10



ATTENZIONE:



Non poggiare oggetti che pesano più di 82 kg sulla parte superiore delle unità montate in rack.

경고문 1



위험

전원, 전화 및 통신 케이블로부터 흘러 나오는 전류는 위험합니다.

전기 충격을 피하려면:

- 뇌우를 동반할 때는 케이블의 연결이나 철수, 이 제품의 설치, 유지보수 또는 재구성을 하지 마십시오.
- 모든 전원 코드를 적절히 배선 및 접지해야 합니다.
- 이 제품에 연결될 모든 장비를 적절하게 배선된 콘센트에 연결하십시오.
- 가능한 한 신호 케이블을 한 손으로 연결하거나 끊으십시오.
- 화재, 수해 또는 구조상의 손상이 있을 경우 장비를 켜지 마십시오.
- 설치 및 구성 프로시저에 다른 설명이 없는 한, 장치 덮개를 열기 전에 연결된 전원 코드, 원거리 통신 시스템, 네트워크 및 모뎀을 끊어 주십시오.
- 제품 또는 접속된 장치를 설치, 이동 및 덮개를 열 때 다음 설명에 따라 케이블을 연결하거나 끊도록 하십시오.

연결하려면:	연결을 끊으려면:
1. 모든 스위치를 끕니다.	1. 모든 스위치를 끕니다.
2. 먼저 모든 케이블을 장치에 연결합니다.	2. 먼저 콘센트에서 전원 코드를 뽑습니다.
3. 신호 케이블을 커넥터에 연결합니다.	3. 신호 케이블을 커넥터에서 제거합니다.
4. 콘센트에 전원 코드를 연결합니다.	4. 장치에서 모든 케이블을 제거합니다.
5. 장치 스위치를 켭니다.	

경고문 2



주의:

리튬 배터리를 교체할 때는 IBM 부품 번호 33F8354 또는 제조업체에서 권장하는 동등한 유형의 배터리를 사용하십시오. 시스템에 리튬 배터리를 갖고 있는 모듈이 있으면 동일한 제조업체에서 생산된 동일한 모듈 유형으로 교체하십시오. 배터리에 리튬이 있을 경우 제대로 사용, 처리 또는 처분하지 않으면 폭발할 수 있습니다.

다음은 주의하십시오.

- 던지거나 물에 담그지 않도록 하십시오.
- 100°C(212°F) 이상으로 가열하지 마십시오.
- 수리하거나 분해하지 마십시오.

지역 법령이나 규정의 요구에 따라 배터리를 처분하십시오.

경고문 3



주의:

레이저 제품(CD-ROMs, DVD 드라이브, 광 장치 또는 트랜스미터 등과 같은)이 설치되어 있을 경우 다음을 유의하십시오.

- 덮개를 제거하지 마십시오. 레이저 제품의 덮개를 제거했을 경우 위험한 레이저 광선에 노출될 수 있습니다. 이 장치 안에는 서비스를 받을 수 있는 부품이 없습니다.

- 여기에서 지정하지 않은 방식의 제어, 조절 또는 실행으로 인해 위험한 레이저 광선에 노출될 수 있습니다.



위험

일부 레이저 제품에는 클래스 3A 또는 클래스 3B 레이저 다이오드가 들어 있습니다. 다음을 주의하십시오.

열면 레이저 광선에 노출됩니다. 광선을 주시하거나 광학 기계를 직접 쳐다보지 않도록 하고 광선에 노출되지 않도록 하십시오.

경고문 4



≥ 18 kg (37 lbs)



≥ 32 kg (70.5 lbs)



≥ 55 kg (121.2 lbs)

주의:

기계를 들 때는 안전하게 들어 올리십시오.

경고문 5



주의:

장치의 전원 제어 버튼 및 전원 공급기의 전원 스위치는 장치에 공급되는 전류를 차단하지 않습니다. 장치에 둘 이상의 전원 코드가 연결되어 있을 수도 있습니다. 장치에서 모든 전류를 차단하려면 모든 전원 코드가 전원으로부터 차단되어 있는 지 확인하십시오.



경고문 10



주의:
서랍형 모델의 장치 상단에 82 kg(180 lbs.)이 넘는 물체를 올려
놓지 마십시오.



> 82 kg (180 lbs)

Importante:

Todas las declaraciones de precaución de esta *Biblioteca del servidor Netfinity* empiezan con un número. Dicho número se emplea para establecer una referencia cruzada de una declaración de precaución o peligro en inglés con las versiones traducidas que de dichas declaraciones pueden encontrarse en esta sección.

Por ejemplo, si una declaración de peligro empieza con el número 1, las traducciones de esta declaración de precaución aparecen en esta sección bajo Declaración 1.

Lea atentamente todas las declaraciones de precaución y peligro antes de llevar a cabo cualquier operación.

Declaración 1**PELIGRO**

La corriente eléctrica de los cables telefónicos, de alimentación y de comunicaciones es perjudicial.

Para evitar una descarga eléctrica:

- No conecte ni desconecte ningún cable ni realice las operaciones de instalación, mantenimiento o reconfiguración de este producto durante una tormenta.
- Conecte cada cable de alimentación a una toma de alimentación eléctrica con conexión a tierra y cableado correctos.
- Conecte a tomas de alimentación con un cableado correcto cualquier equipo que vaya a estar conectado a este producto.
- Si es posible, utilice una sola mano cuando conecte o desconecte los cables de señal.
- No encienda nunca un equipo cuando haya riesgos de incendio, de inundación o de daños estructurales.
- Desconecte los cables de alimentación, sistemas de telecomunicaciones, redes y módems conectados antes de abrir las cubiertas del dispositivo a menos que se indique lo contrario en los procedimientos de instalación y configuración.
- Conecte y desconecte los cables tal como se describe en la tabla siguiente cuando desee realizar una operación de instalación, de traslado o de apertura de las cubiertas para este producto o para los dispositivos conectados.

Para la conexin	Para la desconexiín
<ol style="list-style-type: none"> 1. APÁGUELO todo. 2. En primer lugar, conecte los cables a los dispositivos. 3. Conecte los cables de señal a los conectores. 4. Conecte cada cable de alimentaciín a la toma de alimentaciín. 5. ENCIENDA el dispositivo. 	<ol style="list-style-type: none"> 1. APÁGUELO todo. 2. En primer lugar, retire cada cable de alimentaciín de la toma de alimentaciín. 3. Retire los cables de señal de los conectores. 4. Retire los cables de los dispositivos.

Declaración 2



PRECAUCIÓN:

Cuando desee sustituir la batería de litio, utilice únicamente el número de pieza 33F8354 de IBM o cualquier tipo de batería equivalente que recomiende el fabricante. Si el sistema tiene un módulo que contiene una batería de litio, sustitúyalo únicamente por el mismo tipo de módulo, que ha de estar creado por el mismo fabricante. La batería contiene litio y puede explotar si el usuario no la utiliza ni la maneja de forma adecuada o si no se desprende de la misma como corresponde.

No realice las acciones siguientes:

- Arrojarla al agua o sumergirla
- Calentarla a una temperatura que supere los 100°C (212°F)
- Repararla o desmontarla

Despréndase de la batería siguiendo los requisitos que exija el reglamento o la legislación local.

Declaración 3



PRECAUCIÓN:

Cuando instale productos láser (como, por ejemplo, CD-ROM, unidades DVD, dispositivos de fibra óptica o transmisores), tenga en cuenta las advertencias siguientes:

- No retire las cubiertas. Si retira las cubiertas del producto láser, puede quedar expuesto a radiación láser perjudicial. Dentro del dispositivo no existe ninguna pieza que requiera mantenimiento.

- El uso de controles o ajustes o la realización de procedimientos que no sean los que se han especificado aquí pueden dar como resultado una exposición perjudicial a las radiaciones.



PELIGRO

Algunos productos láser contienen un diodo de láser incorporado de Clase 3A o de Clase 3B. Tenga en cuenta la advertencia siguiente.

Cuando se abre, hay radiación láser. No mire fijamente el rayo ni lleve a cabo ningún examen directamente con instrumentos ópticos; evite la exposición directa al rayo.

Declaración 4



≥18 kg (37 libras)



≥32 kg (70,5 libras)



≥55 kg (121,2 libras)

PRECAUCIÓN:

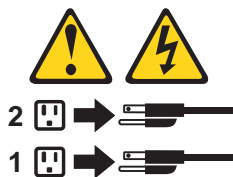
Tome medidas de seguridad al levantar el producto.

Declaración 5



PRECAUCIÓN:

El botón de control de alimentación del dispositivo y el interruptor de alimentación de la fuente de alimentación no apagan la corriente eléctrica suministrada al dispositivo. Es posible también que el dispositivo tenga más de un cable de alimentación. Para eliminar la corriente eléctrica del dispositivo, asegúrese de desconectar todos los cables de alimentación de la fuente de alimentación.



Declaración 10



PRECAUCIÓN:



No coloque ningún objeto que pese más de 82 kg (180 libras) encima de los dispositivos montados en bastidor.

Send us your comments!

We want to know your opinion about this manual (part number 06P8514). Your input will help us to improve our publications.

Please photocopy this survey, complete it, and then fax it to **IBM HMM Survey at 919-543-8167 (USA)**.

Name: _____

Phone number: _____

1. Do you like this manual?

Yes No

2. What would you like to see added, changed, or deleted in this manual?

3. What is your service experience level?

Less than five years

More than five years

4. Which Servers to you service most?

Thank you for your response!

Problem determination tips

Due to the variety of hardware and software combinations that can be encountered, use the following information to assist you in problem determination. If possible, have this information available when requesting assistance from Service Support and Engineering functions.

- Machine type and model
- Processor or hard disk upgrades
- Failure symptom
 - Do diagnostics fail?
 - What, when, where, single, or multiple systems?
 - Is the failure repeatable?
 - Has this configuration ever worked?
 - If it has been working, what changes were made prior to it failing?
 - Is this the original reported failure?
- Reference/Diagnostics version
 - Type and version level
- Hardware configuration
 - Print (print screen) configuration currently in use
 - BIOS level
- Operating system software
 - Type and version level

Note: To eliminate confusion, identical systems are considered identical only if they:

1. Are the exact machine type and models
2. Have the same BIOS level
3. Have the same adapters/attachments in the same locations
4. Have the same address jumpers/terminators/cabling
5. Have the same software versions and levels
6. Have the same Reference/Diagnostics Diskette (version)
7. Have the same configuration options set in the system
8. Have the same setup for the operation system control files

Comparing the configuration and software set-up between "working and non-working" systems will often lead to problem resolution.

Notices

References in this publication to IBM products, programs, or services do not imply that IBM intends to make these available in all countries in which IBM operates. Any reference to an IBM product, program, or service is not intended to state or imply that only that IBM product, program, or service may be used. Subject to IBM's valid intellectual property or other legally protectable rights, any functionally equivalent product, program, or service may be used instead of the IBM product, program, or service. The evaluation and verification of operation in conjunction with other products, except those expressly designated by IBM, are the responsibility of the user.

Trademarks

The following items are trademarks of the IBM Corporation in the United States and other countries or both:

IBM
NetBAY
Netfinity Manager
SystemXtra

Netfintiy Director
Netfinity
ThinkPad
ServeRAID

The following terms are trademarks of other companies:

Notes

Lotus Development Corporation

MMX and Pentium are trademarks or registered trademarks of Intel Corporation.

UNIX is a trademark or registered trademark of The Open Group in the United States and other countries.

Windows NT is a trademark or registered trademark of Microsoft Corporation.



Part Number: 06P8514



Printed in the United States of America
on recycled paper containing 10%
recovered post-consumer fiber.

06P8514



IBM



Free Manuals Download Website

<http://myh66.com>

<http://usermanuals.us>

<http://www.somanuals.com>

<http://www.4manuals.cc>

<http://www.manual-lib.com>

<http://www.404manual.com>

<http://www.luxmanual.com>

<http://aubethermostatmanual.com>

Golf course search by state

<http://golfingnear.com>

Email search by domain

<http://emailbydomain.com>

Auto manuals search

<http://auto.somanuals.com>

TV manuals search

<http://tv.somanuals.com>