

ENGLISH



Thank you for purchasing a JVC product. Please read all instructions carefully before operation, to ensure your complete understanding and to obtain the best possible performance from the unit.

For safety....

- Do not raise the volume level too much, as this will block outside sounds, making driving dangerous.
- Stop the car before performing any complicated operations.

CAUTIONS AND NOTES

This unit is designed to operate on **12 V DC, NEGATIVE ground electrical systems.**

- This unit uses BTL (Balanced Transformerless) amplifier circuitry, i.e., floating ground system, so please comply with the following:
 - Do not connect the "⊖" terminals of the speakers to each other.
 - Do not connect the "⊖" terminals of the speakers to the metal body or chassis.
- Cover the unused terminals with insulating tape to prevent them from short circuiting.
- When an extension lead is used, it should be as thick and short as possible; connect it firmly with insulating tape.
- Be sure to leave an appropriate space between the antenna (aerial) and the wires of this unit.
- When replacing the fuse, only use a 25 A fuse for KS-AX4504 or a 20 A fuse for KS-AX4302.
- Do not let pebbles, sand or metallic objects get inside the unit.
- To keep the heat dissipation mechanism running effectively, wipe the accumulated dust off periodically.
- Listening to the tape, radio, CD or Digital Audio Player, etc. with the volume set at a high level for a long period of time will exhaust the battery, while the engine is turned off or while the engine is idling.
- This unit becomes very hot. Be careful not to touch the unit not only when using but for a while after using.

DO NOT disassemble the units since there are no user serviceable parts inside.

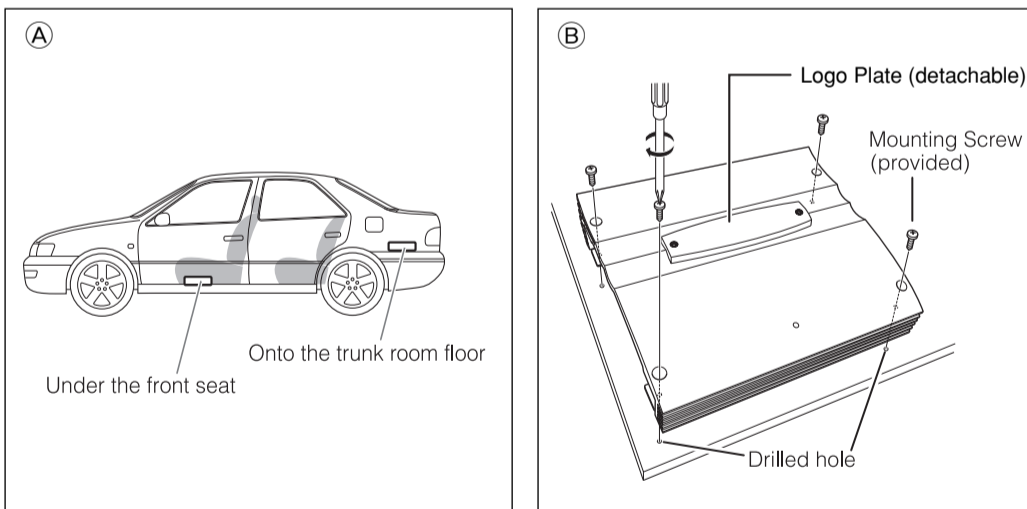
For Customer Use:

Enter below the Model No. and Serial No. which are located on the top or bottom of the cabinet. Retain this information for future reference.

Model No. _____ Serial No. _____

INSTALLATION

The following illustration shows a typical installation. However, you should make adjustments corresponding to your specific car. If you have any questions or require information regarding installation kits, consult your "JVC IN-CAR ENTERTAINMENT" car audio dealer or a company supplying the kits.

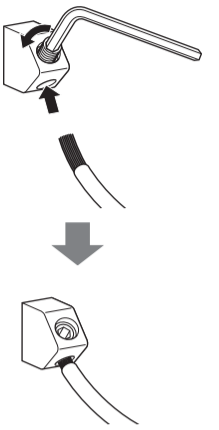


- A** Mount this unit on a firm surface, such as in the trunk room or under the front seat.
- Since heat is generated in the unit, do not mount it near inflammable objects. In addition, mount it in an area that will not prevent the unit from dissipating the heat.
 - Do not mount the unit in the places subject to heat: near a radiator, in a glove compartment or in insulated areas such as under a car mat that will prevent the unit from dissipating heat.
 - When mounting the unit under the front seat, make sure that adjusting the seat position will not catch any wire of the unit.
- B** When mounting this unit, be sure to use the provided screws. If any other screws are used, there is a risk of loosening the unit or damaging parts inside it.
- Before drilling holes in the trunk to install the unit, make sure that there is a sufficient space under the trunk so that you do not drill holes in the fuel tank, etc.
 - To detach and rotate the Logo Plate 180 degrees, use the provided hex wrench (3 mm).

TERMINAL CONNECTIONS

When making the terminal connections...

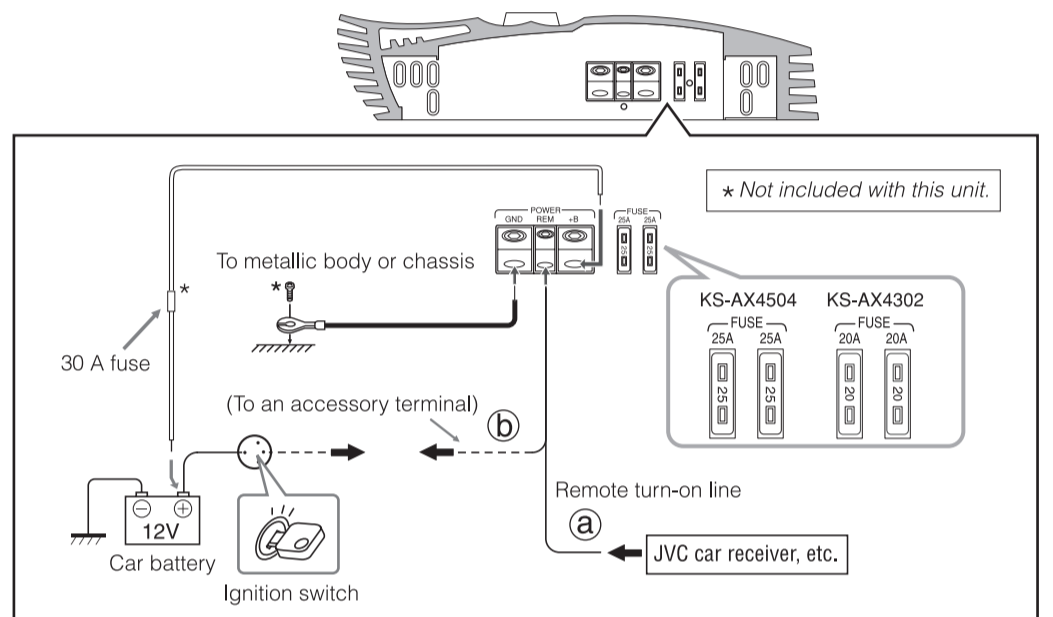
- 1** Peel the insulating vinyl cover of a cord 7 mm (5/16 in.) to 10 mm (7/16 in.) long and expose the inside conductor.
- 2** Loosen the hex screw in a terminal with a provided hex wrench and insert the conductor into the terminal. Then fix the hex screw again to secure the conductor.



Note

- The exposed conductor should be 7 mm (5/16 in.) to 10 mm (7/16 in.) long.
 - If shorter, it may cause a poor conductivity.
 - If longer, it may cause a short circuit.
- Use a proper hex wrench for each terminal.
 - 4 mm: +B terminal and GND terminal
 - 3 mm: Speaker terminals of KS-AX4302 and REM terminal
 - 2 mm: Speaker terminals of KS-AX4504

POWER SUPPLY



CAUTION

To prevent short circuits while making connections, keep the battery's negative terminal disconnected.

- When using a power cord (purchased separately), be sure to place the 30 A fuse near the battery as shown.
- Connect the lead wire (power cord) through which power is supplied directly to the battery's "⊕" terminal only after all the other connections have been made.

The proper lead wire connected to each POWER terminal is as follows.

- **+ B and GND:** AWG 8 to AWG 4 (The cross section is about 8 mm² to 21 mm².)
- **REM:** AWG 18 to AWG 8 (The cross section is about 0.8 mm² to 8 mm².)

- If you have any questions regarding the thickness of the power cord, etc., consult your nearest "JVC IN-CAR ENTERTAINMENT" car audio dealer.

- a** When you use JVC car receiver with a remote lead, connect to the REM terminal on this unit.
- b** When you connect a unit without a remote lead, connect to the accessory circuit of the car which is activated by the ignition switch. In this case, noise may occur when the car receiver is turned on or off. To avoid this noise, do not turn on or off the car receiver itself. You can turn on or off the car receiver along with the on/off operation of the ignition switch.

If the **POWER/PROTECTOR lamp lights in red**, it indicates incorrect speaker wiring or connections (see "TROUBLESHOOTING" on page 3). Make sure to correct speaker wiring and other connections.

SPEAKER SYSTEMS

This amplifier provides two types of speaker connections: Normal Mode and Bridge Mode. You can choose either type of connections depending on the speakers configuration equipped on your car.

Make sure to comply with the following notes:

- Be sure not to connect the "⊖" terminals of the speakers to a common point.
- If the ground wire is common to both left/right and front/rear speaker wirings, this unit cannot be used. Always use the independent lead wires for the speakers to be used. In this case, redo the wirings.
- Use the speakers with an impedance of 2 Ω to 8 Ω (4 Ω to 8 Ω: when used in Bridge Mode).
- Use the speakers which have sufficient capacity to the unit.

The proper lead wire connected to each SPEAKER OUTPUT terminal is as follows.

- **KS-AX4504:** AWG 18 to AWG 12 (The cross section is about 0.8 mm² to 3.3 mm².)
- **KS-AX4302:** AWG 18 to AWG 8 (The cross section is about 0.8 mm² to 8 mm².)

For KS-AX4504:

When you connect 4 speakers to the unit, down mixed signals (front and rear) are emitted through the PRE OUT jacks.

For KS-AX4302:

Incoming signals are emitted through the PRE OUT jacks.

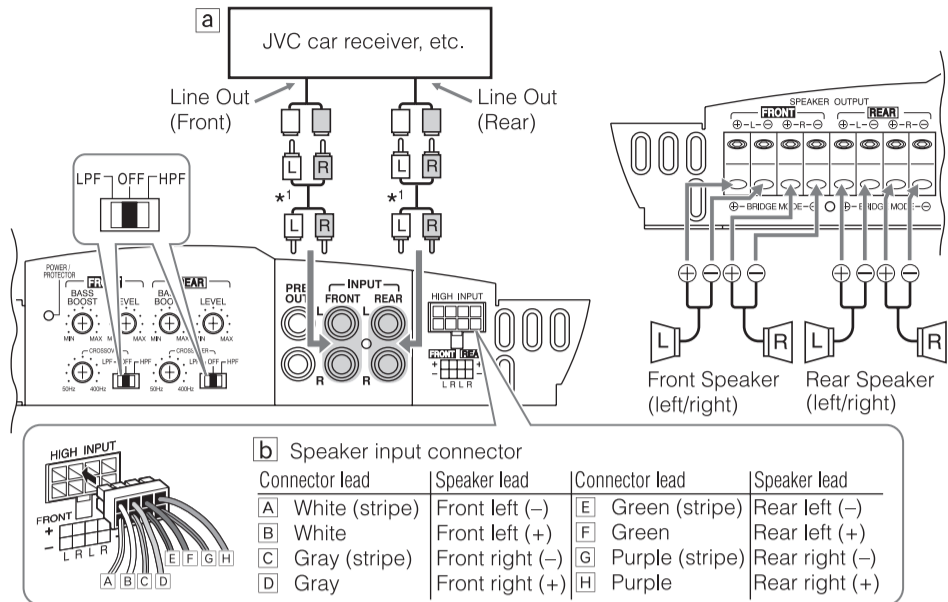
SPEAKER CONNECTIONS

Connection varies depending on the number of the speakers used in your car. Select the appropriate connection referring to the following diagrams.

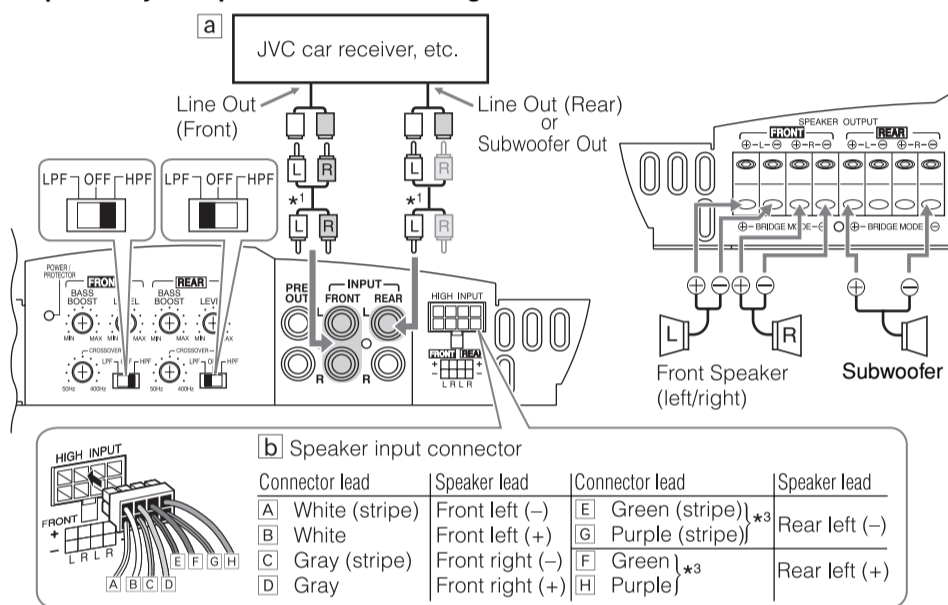
Before connecting: Securely connect all the parts. If the connections are loose, due to contact resistance etc., heat will break out and may cause an accident. Secure and cover the cords with insulating tape and run them under the car mats.

KS-AX4504

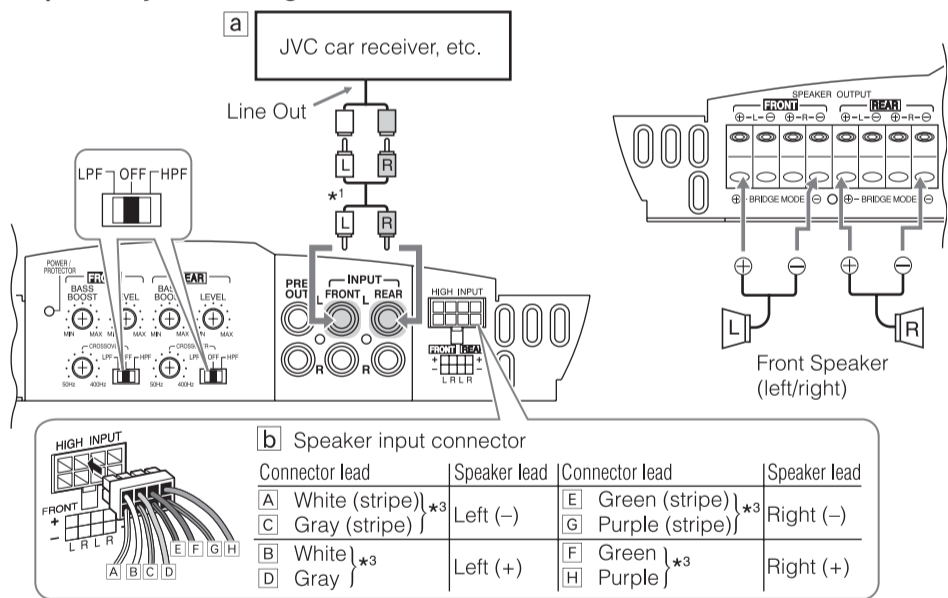
4-speaker system



2-speaker system plus subwoofer—Bridge Mode*2

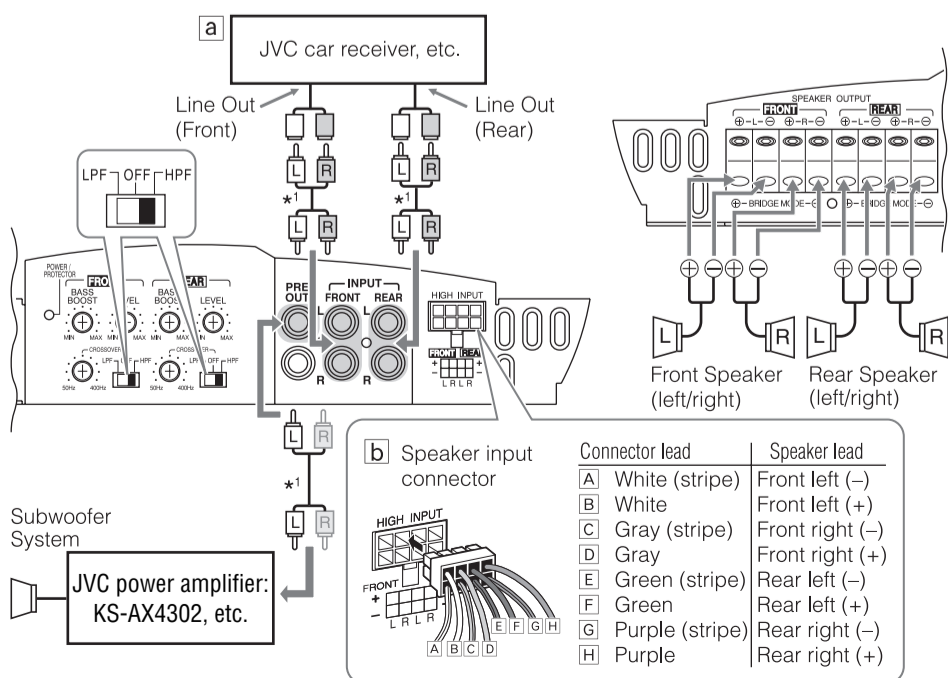


2-speaker system—Bridge Mode*2



4-speaker system plus subwoofer (PRE OUT)

Down mixed signals are emitted through PRE OUT jacks.

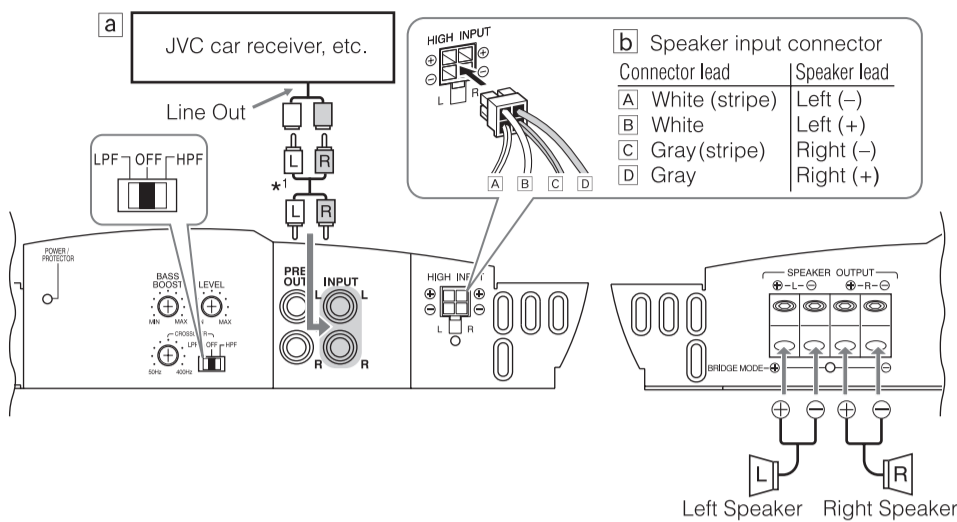


a When your receiver is equipped with Line Output, connect the Line Output (through the receiver) to the INPUT jacks on this unit.

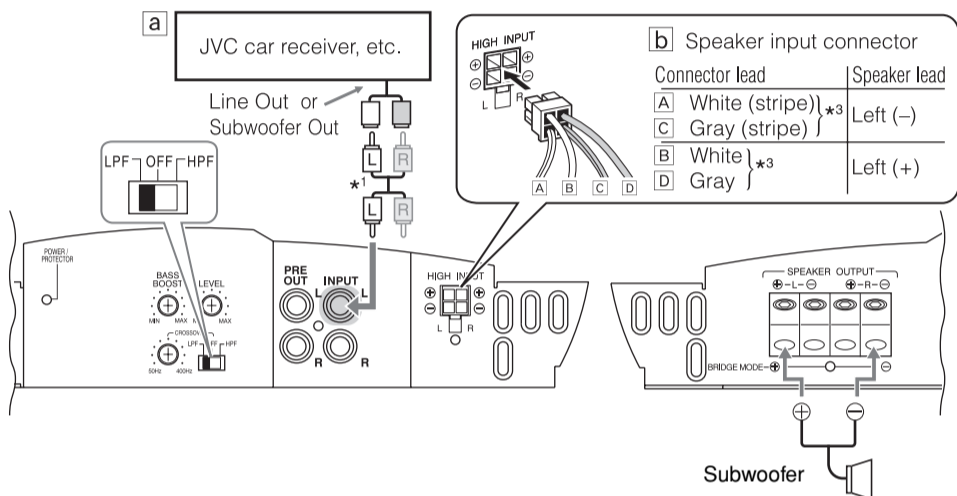
b When your receiver is NOT equipped with Line Output, connect the provided speaker input connector (through the receiver) to the HIGH INPUT terminal on this unit.

KS-AX4302

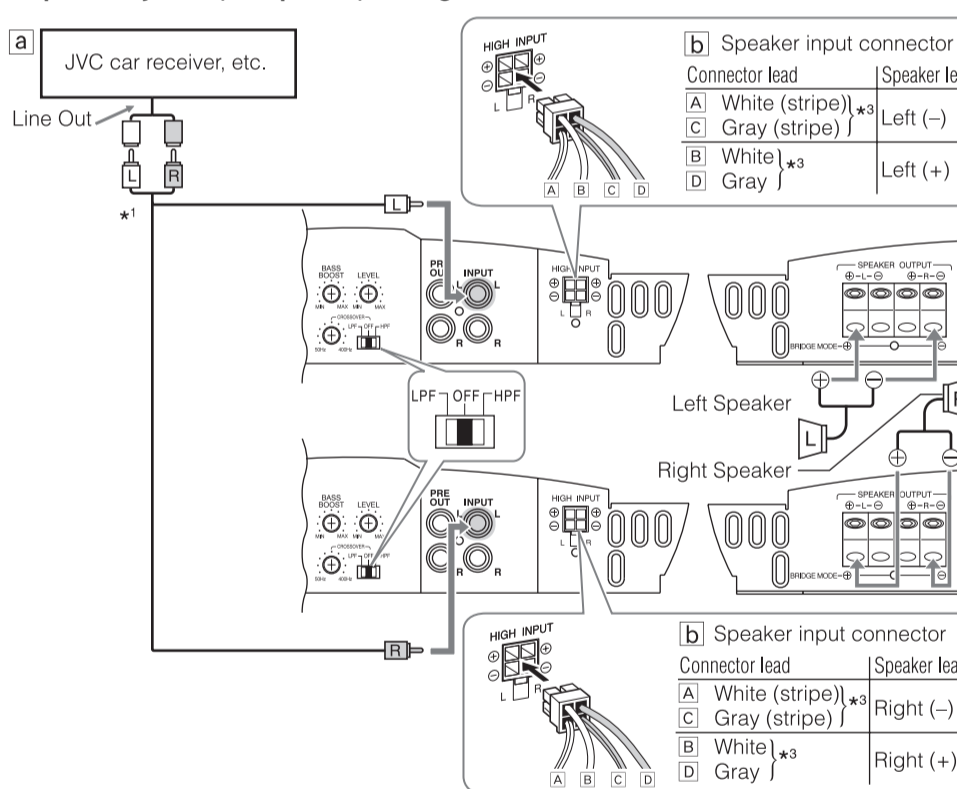
2-speaker system



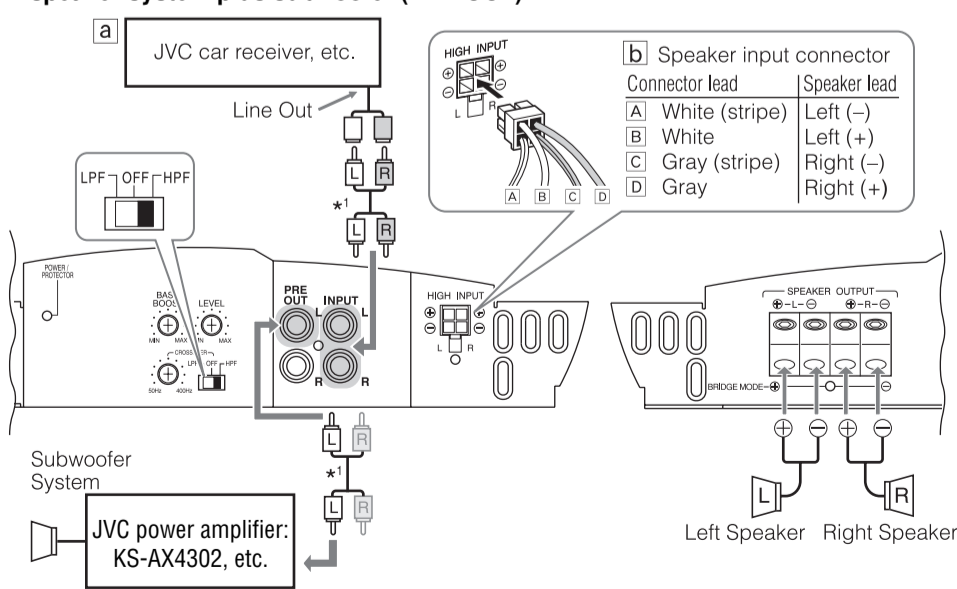
Subwoofer system—Bridge Mode*2



2-speaker system (2 amplifiers)—Bridge Mode*2



2-speaker system plus subwoofer (PRE OUT)



*1 Not provided for this unit.

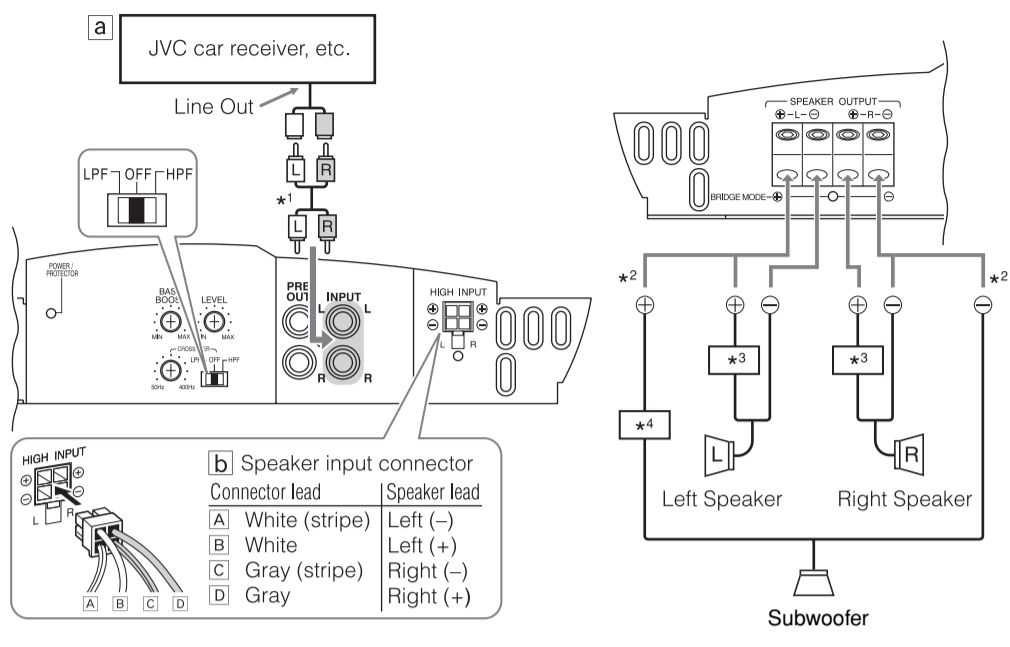
*2 Bridge Mode: Be sure to connect the line output from the receiver to the left (L) jack on this unit.

*3 Be sure to connect the both leads to the target speaker lead.

KS-AX4302 (For U.S.A)

2-speaker system plus subwoofer (1 amplifier)

The minimum impedance should be 4 Ω for each of left and right speakers, and the subwoofer.



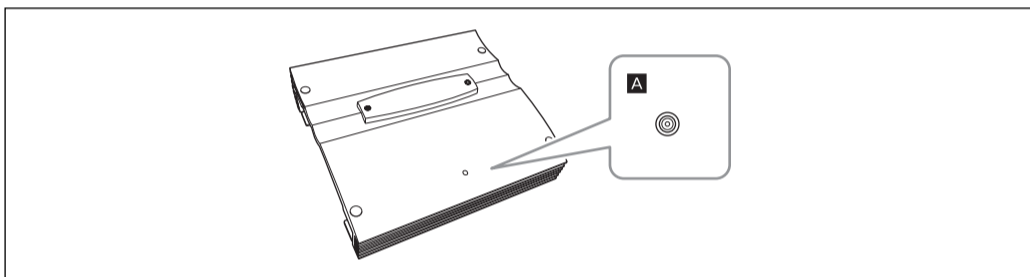
*1 Not provided for this unit.

*2 Bridge wiring

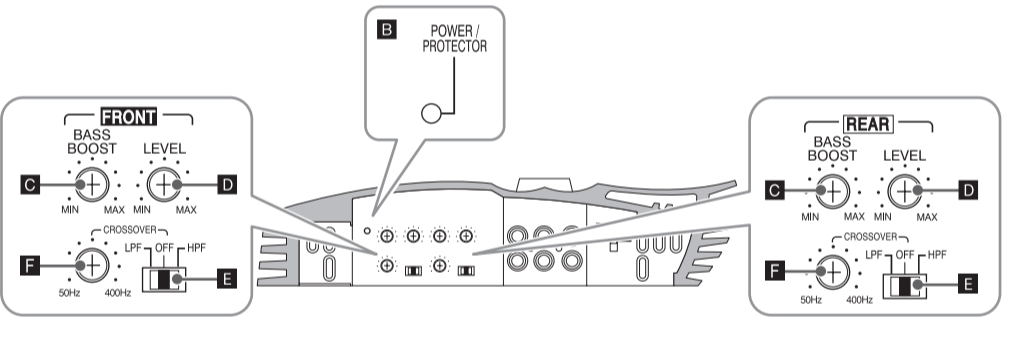
*3 Use a High-pass crossover (not provided).

*4 Use a Low-pass crossover (not provided).

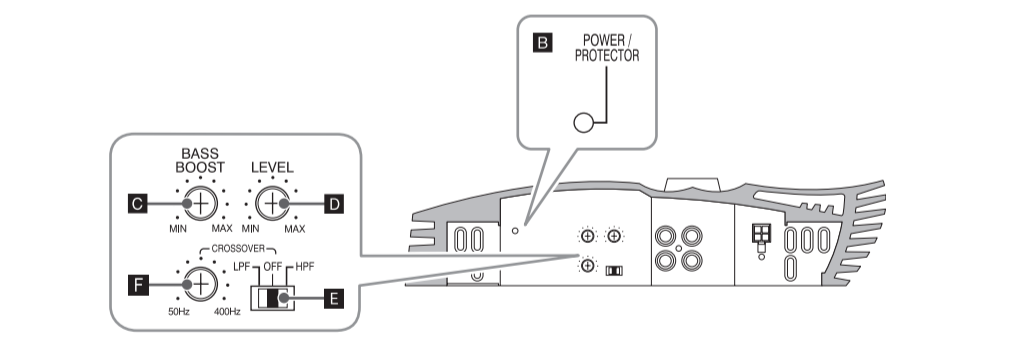
CONTROLS



KS-AX4504



KS-AX4302



A Power Indicator

The blue lamp illuminates while the unit is turned on.

B POWER/PROTECTOR lamp

The lamp lights in green while the unit is turned on. When the lamp does not light or lights in red with the unit on, it indicates there may be any trouble (see "TROUBLESHOOTING").

C BASS BOOST controller

Turning this boosts the 45 Hz frequency within the range of 0 dB to +12 dB. Adjust the level while listening to the sound. This control is preset to MIN when the unit is shipped.

D Input LEVEL controller

The input level can be adjusted with this control when this unit is connected to other source equipment. Adjust the level while listening to the sound. This control is preset to MIN when the unit is shipped.

E CROSSOVER filter switch

OFF: Normally, set to this position. The switch is preset to this position when the unit is shipped.

LPF: Set to this position when you want to turn on the LPF (Low-Pass Filter) switch (the Low-Pass Filter transmits frequencies lower than the cutoff frequency).

HPF: Set to this position when you want to turn on the HPF (High-Pass Filter) switch (the High-Pass Filter transmits frequencies higher than the cutoff frequency).

F CROSSOVER frequency controller

Turning this adjusts the cutoff frequency within the range of 50 Hz to 400 Hz. Adjust the level while listening to the sound. This control is preset to 50 Hz when the unit is shipped.

TROUBLESHOOTING

For more details, consult your "JVC IN-CAR ENTERTAINMENT" car audio dealer.

The POWER/PROTECTOR lamp does not light.

- Change the fuses if the current one is blown.
- Connect the ground lead securely to a metal part of the car.
- Turn on the equipment connected to this unit.
- Use a relay if your system employs too many amplifiers.
- Confirm the battery voltage (11 V to 16 V).

The POWER/PROTECTOR lamp lights in red and/or the unit heats up abnormally.

- Use the speakers of suitable impedance.
- Correct the speaker wirings if they are short-circuited.
- Leave the unit turned off for a while to cool it down.

No sound is heard.

- Confirm the connections for power supply (see "POWER SUPPLY" on page 1).
- Connect RCA pin cords to the INPUT jacks, or the speaker input connector to the HIGH INPUT terminal.

Alternator noise is heard.

- Keep the power cords away from the RCA pin cords.
- Keep the RCA pin cords away from other electrical cables in the car.
- Connect the ground lead securely to a metal part of the car.
- Make sure the negative speaker leads do not touch the car chassis.
- Replace the plugs or use plugs with load resistors.
- Connect a bypass capacitor across the accessory switches (horn, fan, etc.).

Noise is made when you connect the unit to an AM (MW/LW) tuner.

- Move the speaker and power cords away from the antenna (aerial) lead.

SPECIFICATIONS

Power Output	KS-AX4504: 65 W RMS x 4 channels at 4 Ω and ≤ 1% THD + N KS-AX4302: 100 W RMS x 2 channels at 4 Ω and ≤ 1% THD + N
Signal-to-Noise Ratio	80 dBA (reference: 1 W into 4 Ω)



Maximum Power Output	600 W
Load Impedance	4 Ω (2 Ω to 8 Ω allowance) 4 Ω (4 Ω to 8 Ω allowance) (Bridge Mode)
Frequency Response	5 Hz to 50,000 Hz* (+0, -3 dB) * Subsonic filter limits extremely low frequency signals less than 20 Hz.
Input Sensitivity/Impedance	2 V/45 kΩ (0.3 V to 6 V, variable)
Distortion	Less than 0.04% (at 1 kHz)
Power Requirement	DC 14.4 V (11 V to 16 V allowance)
Grounding system	Negative ground
Dimensions (W×H×D)	300 mm × 63 mm × 265 mm (11-13/16 in. × 2-1/2 in. × 10-7/16 in.)
Mass (approx.)	3.8 kg (8.4 lbs.)
Accessories	Speaker input connector KS-AX4504: 8P × 1 KS-AX4302: 4P × 1 Mounting Screw (φ 4 × 20 mm (13/16 in.)) × 4 Hex wrench 4 mm × 1 3 mm × 1 2 mm × 1 (KS-AX4504 only)

Design and specifications are subject to change without notice.

Information for Users on Disposal of Old Equipment



This symbol indicates that the product with this symbol should not be disposed as general household waste at its end-of-life. If you wish to dispose of this product, please do so in accordance with applicable national legislation or other rules in your country and municipality. By disposing of this product correctly, you will help to conserve natural resources and will help prevent potential negative effects on the environment and human health.

This symbol is only valid in the European Union.

Dear Customer,

This apparatus is in conformance with the valid European directives and standards regarding electromagnetic compatibility and electrical safety.

European representative of Victor Company of Japan, Limited is:
JVC Technology Centre Europe GmbH
Postfach 10 05 52
61145 Friedberg
Germany

Free Manuals Download Website

<http://myh66.com>

<http://usermanuals.us>

<http://www.somanuals.com>

<http://www.4manuals.cc>

<http://www.manual-lib.com>

<http://www.404manual.com>

<http://www.luxmanual.com>

<http://aubethermostatmanual.com>

Golf course search by state

<http://golfingnear.com>

Email search by domain

<http://emailbydomain.com>

Auto manuals search

<http://auto.somanuals.com>

TV manuals search

<http://tv.somanuals.com>