

# JVC

## MICRO COMPONENT SYSTEM

### UX-F2B

—consists of CA-UXF2B and SP-UXF2B

## INSTRUCTIONS



MP3/WMA

Thank you for purchasing a JVC product.

For turning off the demonstration display, see "Canceling the display demonstration" in "Initial settings."

LVT2119-015A[US/UK]  
0410YOMMDWCDT

©2010 Victor Company of Japan, Limited

## Precautions

- Notes on the power cord**
- When you go away for an extended period of time, remove the plug from the wall outlet.
  - When unplugging the System from the wall outlet, always pull the plug, not the power cord.
  - Do not handle the power cord with wet hands.
  - Disconnect the power cord before cleaning the System or moving the System.
  - Do not alter, twist or pull the power cord, or put anything heavy on it, which may cause fire, electric shock, or other accidents.
- Avoid moisture, water, dust, and high temperatures**
- Do not place the System in moist or dusty places.
  - If water gets inside the System, turn off the power and remove the plug from the wall outlet, then consult your dealer. Using the System in this state may cause a fire or electrical shock.
  - Do not expose the System to direct sunlight or place it near a heating device.

- Notes on installation**
- Select a place which is level, dry and neither too hot nor too cold—between 5°C and 35°C.
  - Do not install the System in a place subject to vibrations.
  - Do not put heavy objects on the System.
- To prevent malfunction or damage to the System**
- Do not insert any metallic objects, such as wires, hairpins, coins, etc. into the System.
  - Do not block the vents.

**There are no user-serviceable parts inside. If anything goes wrong, unplug the power cord and consult your dealer.**

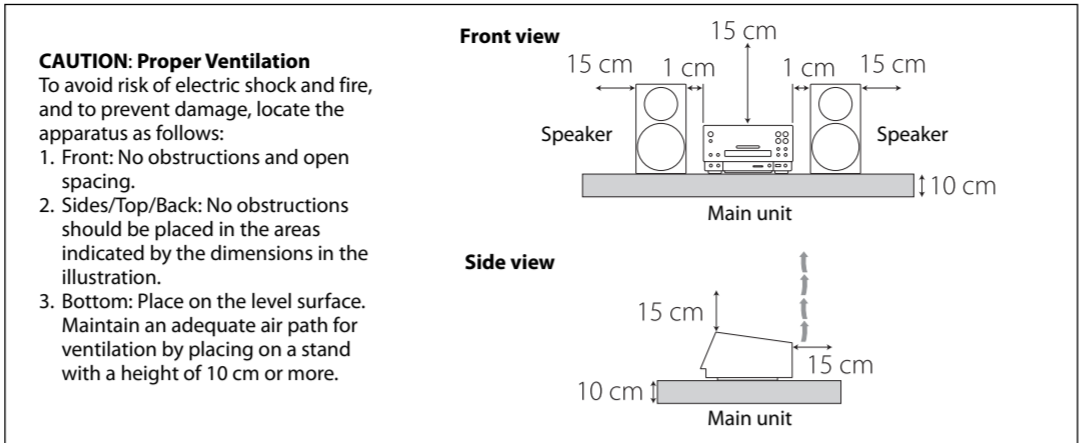
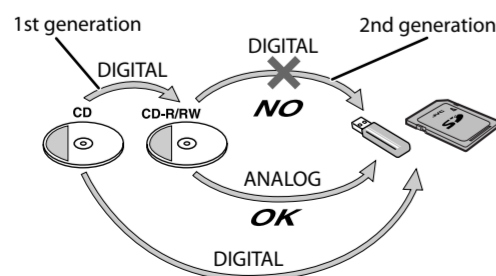
## Maintenance

- To get the best performance of the System, keep your discs and the mechanism clean.
- Handling discs**
- Remove the disc from its case by holding it at the edge while pressing the center hole lightly.
  - Do not touch the shiny surface of the disc, or bend the disc.
  - Put the disc back in its case after use.
  - Be careful not to scratch the surface of the disc when placing it back in its case.
  - Avoid exposure to direct sunlight, temperature extremes, and moisture.
- To clean the disc:**
- Wipe the disc with a soft cloth in a straight line from center to edge.
- Cleaning the System**
- Stains should be wiped off with a soft cloth. If the System is heavily stained, wipe it with a cloth soaked in water-diluted neutral detergent and wrung well, then wipe clean with a dry cloth.
  - Since the System may deteriorate in quality, become damaged or get its paint peeled off, be careful about the following:
    - DO NOT wipe it hard.
    - DO NOT wipe it with thinner or benzene.
    - DO NOT apply any volatile substances such as insecticides to it.
    - DO NOT allow any rubber or plastic to remain in contact for a long time.

## Playable disc/file

- This System can play back...
  - Audio CD and CD-R/CD-RW in Audio CD format.
  - MP3/WMA files on a CD-R/CD-RW (ISO 9660 format), USB mass storage class device (maximum data transfer rate: 2 Mbps) or SD card.
- This System cannot play "packet write" discs.
- This System can recognize up to 255 groups on a disc. The total number of groups and tracks (on a disc) that can be recognized by the System is 512 (for MP3/WMA).
- This System can recognize up to 99 groups and 999 tracks (with a maximum number of 255 tracks in a group) on a USB mass storage class device/SD card.
- For MP3/WMA playback...
  - Some MP3/WMA files may not be played back due to their recording conditions.
  - This System can play only discs of ISO 9660 Level 1 or Level 2.
  - It is recommended to record each file at a sampling rate of 44.1 kHz and at a data transfer rate of 128 kbps.
  - This System cannot play back files made at a bit rate of less than 64 kbps.
  - This System can show the Tag data (version 1).
- For playback of files on a USB mass storage class device/SD card.
  - You cannot play back files larger than 2 GB.
  - This System may not play back some USB mass storage class devices/SD card and does not support DRM (Digital Rights Management).

**About SCMS (Serial Copy Management System)**  
The System uses the Serial Copy Management System which allows only first-generation digital copies to be made of premastered software such as regular CDs. If you try to record from a duplicated CD-R or CD-RW to a USB mass storage class device or SD card, "PROTECT" appears on the display.



## Specifications

<b>Main unit—CA-UXF2B</b>		<b>Speaker—SP-UXF2B</b>	
<b>General</b>		Speaker type:	Bass-reflex type
Power source:	AC 110 – 127 V/AC 220 – 240 V ~ (adjustable with the voltage selector), 50 Hz/60 Hz	Tweeter:	4 cm
Power consumption (at operation):	40 W	Woofer:	12 cm
Power consumption (on standby):	1.00 W or less	Impedance:	6 Ω
Dimensions (approx.) (W x H x D) (including projecting parts):	236 mm x 123 mm x 285 mm	Dimensions (approx.) (W x H x D) (including projecting parts):	141 mm x 250 mm x 181 mm
Mass (approx.):	2.0 kg	Mass (approx.):	1.8 kg each
<b>Amplifier</b>		<b>Supplied accessories</b>	See "Supplied accessories" in "Getting started."
Output Power:	100 W (50 W + 50 W) at 6 Ω (10% THD)		
Audio Input:	AUDIO IN: Stereo mini (ø 3.5 mm)		
Speaker impedance:	6 Ω - 16 Ω		
<b>Tuner</b>			
FM frequency:	87.50 MHz – 108.00 MHz (at 9 kHz intervals)		
AM frequency:	531 kHz – 1710 kHz (at 10 kHz intervals)		
<b>USB</b>			
USB specification:	Compatible with USB 2.0 Full Speed		
Compatible device:	Mass storage class		
Compatible system:	FAT16, FAT32		
Output power:	DC 5 V ~ 500 mA		
<b>SD</b>			
Compatible device:	SD, SDHC		
Compatible system:	FAT16, FAT32		

• Microsoft and Windows Media are either registered trademarks or trademarks of Microsoft Corporation in the United States and/or other countries.  
• SDHC Logo is a trademark.

*Design and specifications are subject to change without notice.*

## Getting started

- Supplied accessories**  
After unpacking, check to make sure that you have all the following items:
- Remote control (x 1)
  - Lithium coin battery CR2025 (x 1)
    - The battery has been installed in the remote control when shipped from the factory.
  - AM loop antenna (x 1)
  - FM antenna (x 1)
  - AC plug adaptor (x 1)
- If anything is missing, consult your dealer immediately.

**In this manual...**  
The remote control buttons are used for explaining the operations unless mentioned otherwise. However, if the System has the same or similar button names, they can also be used for the operations.  
• "SD card" refers to both SD card and SDHC card.  
• "File" and "track" are used interchangeably.

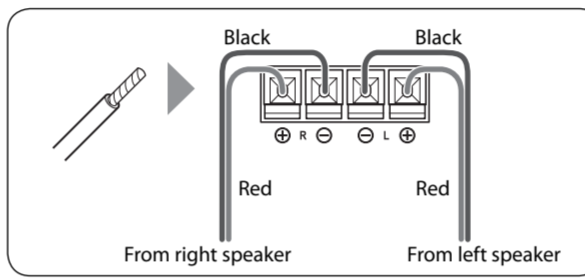
- Prepare the remote control**  
When you use the remote control for the first time, pull out the insulation sheet.
- To replace the battery in the remote control**
- 
- NOTES:**
- Store the battery in a place where children cannot reach. If a child accidentally swallows the battery, consult a doctor immediately.
  - To prevent the battery from overheating, cracking, or starting a fire:
    - Do not recharge, short, disassemble or heat the battery or dispose of it in a fire.
    - Do not leave the battery with other metallic materials.
    - Wrap the battery with tape and insulate when throwing away or saving it.
    - Do not poke the battery with tweezers or similar tools.
  - Dispose of battery in the proper manner, according to federal, state, and local regulations.
  - The battery (battery pack or battery installed) shall not be exposed to excessive heat source such as sunshine, fire or the like.

**CAUTION:**  
Danger of explosion if battery is incorrectly replaced. Replace only with the same or equivalent type.

## Connections

**Do not connect the AC power cord until all other connections have been made.**

- NOTES:**
- Make sure the antenna conductors do not touch any other terminals, connecting cords or the power cord. Also, keep the antennas away from metallic parts of the System, connecting cords, and the AC power cord. Otherwise, it could cause poor reception.
  - When connecting the speaker cords, match the polarities of the speaker terminals: red to (+) and black to (-).
  - DO NOT connect more than one speaker to each terminal.
  - Use only speakers with the same speaker impedance as indicated by the speaker terminals on the rear of the System.
  - DO NOT allow the conductor of the speaker cords to come into contact with the metallic parts of the System.

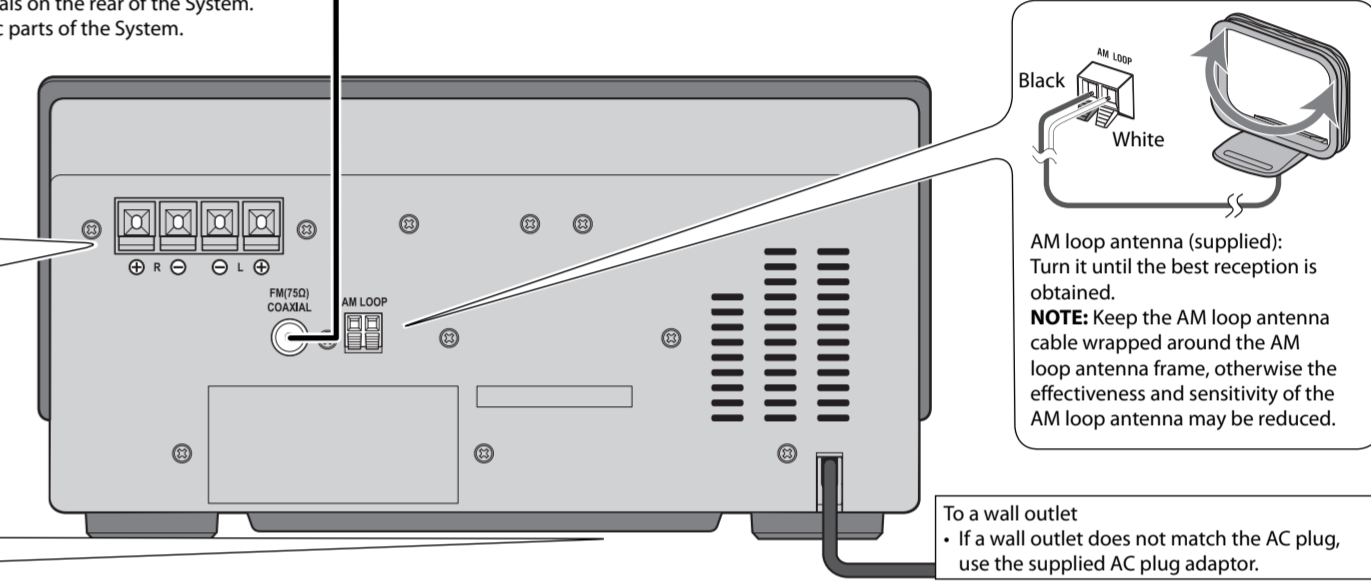


### Voltage selector switch (on the bottom of the System)

**CAUTION for mains (AC) line**  
BEFORE PLUGGING IN, do check that your mains (AC) line voltage corresponds with the position of the voltage selector switch provided on the outside of this equipment and, if different, reset the voltage selector switch, to prevent from a damage or risk of fire/electric shock.

FM antenna (supplied): Extend it so that you can obtain the best reception.

**For better FM reception**  
Disconnect the supplied FM antenna, and connect to an outdoor FM antenna (not supplied) using a 75 Ω wire with coaxial type connector.



**AM loop antenna (supplied):**  
Turn it until the best reception is obtained.  
**NOTE:** Keep the AM loop antenna cable wrapped around the AM loop antenna frame, otherwise the effectiveness and sensitivity of the AM loop antenna may be reduced.

To a wall outlet  
• If a wall outlet does not match the AC plug, use the supplied AC plug adaptor.

## Sound and other adjustments

**Initial settings**

**Canceling the display demonstration**  
When you plug in and turn on the System, the display demonstration starts automatically if no operation is done for about 2 minutes.

**To cancel the display demonstration**  
(On the main unit)  
Press the DEMO button (Hold) to turn off the DEMO display.

**Setting the clock**  
1. Press the CLOCK/TIMER button to enter the clock setting mode. The display shows 00:00.  
• If you have already set the clock before, press and hold CLOCK/TIMER until the current time is shown on the display then press SET to activate the clock setting mode.  
2. Adjust the hour and minute.  
Use the UP and DOWN buttons to adjust the time. Press SET to confirm.  
• To go back to the previous step, press MENU/CANCEL.  
• The clock may gain or lose 1 to 2 minutes per month. You may need to readjust the clock periodically.

**Display settings**

**Display brightness**  
You can dim the display window.  
Press the DIMM button to cycle through DIM 1, DIM 2, and DIM OFF.

**Display information**  
You can change the information shown on the display.  
Ex.: During playback of a CD...  
The display shows 01 05:6.  
The arrow indicates the current track's elapsed time, and the clock indicates the total time.

**Sound adjustments**

**Fade muting**  
To drop the volume in a moment, press the FADE MUTING button.  
• To restore the volume, press again or adjust the volume level.

**Sound Turbo**  
To emphasize the sound, press the SOUND TURBO button. The display shows TURBO ON. Press the button again to turn it off (TURBO OFF).

**Hyper Bass Sound (HBS)**  
To reinforce the bass sound, press the HBS button. The display shows HBS ON. Press the button again to turn it off (HBS OFF).

**Sound Mode**  
To select the sound mode suitable for your favorite music, press the SOUND MODE button. The display shows ROCK.  
Press the left and right arrow buttons to cycle through ROCK, POP, CLASSIC, FLAT (Canceled), and JAZZ.

**Timers**

**Sleep Timer**  
Specify the time (in minutes).  
Press the SLEEP button. The display shows SLEEP 10.  
Use the left and right arrow buttons to set the time (SLEEP 10, SLEEP 20, SLEEP 30, SLEEP 180). Press the SLEEP button to confirm.  
• To check the remaining time until the System shuts off, press SLEEP once.

**Daily Timer**  
By using Daily Timer, you can wake up with your favorite music.  
• You can store three Daily Timer settings.  
• Tune into a station, insert a disc or SD card, or connect a USB mass storage class device to the System beforehand.  
1. Select a Daily Timer number.  
Press the CLOCK/TIMER button. The display shows DAILY 1.  
Use the left and right arrow buttons to select a number (DAILY 1, DAILY 2, DAILY 3). Press the SET button to confirm.  
2. Set the timer contents.  
Use the left and right arrow buttons to set the timer contents (Hour and minute for on-time and off-time, Playback source, Volume).  
• If you select "VOL --", the volume is set to the same level as when the System was last turned off.  
• To correct a misentry during the process, press MENU/CANCEL. You can return to the previous step.  
• To exit from Daily Timer setting, press CLOCK/TIMER repeatedly as required.  
3. Turn off the System.  
Press the OFF button. The timer indicator (⊙) is not displayed.



## Free Manuals Download Website

<http://myh66.com>

<http://usermanuals.us>

<http://www.somanuals.com>

<http://www.4manuals.cc>

<http://www.manual-lib.com>

<http://www.404manual.com>

<http://www.luxmanual.com>

<http://aubethermostatmanual.com>

Golf course search by state

<http://golfingnear.com>

Email search by domain

<http://emailbydomain.com>

Auto manuals search

<http://auto.somanuals.com>

TV manuals search

<http://tv.somanuals.com>