



DISHWASHER

SERVICE MANUAL

NOTE

BEFORE SERVICING THE UNIT, PLEASE READ THIS MANUAL CAREFULLY FOR SAFETY AND CORRECT SERVICES.

MODEL : LDS4821(WW,BB,ST)

CONTENTS

1. CAUTION.....	4
2. SPECIFICATIONS	5
3. WIRING DIAGRAM.....	6
4. FEATURES & TECHNICAL EXPLANATION	7
5. PARTS NAME	11
6. PROGRAM CHART	12
7. HOW TO DISASSEMBLE	13
8. TROUBLE SHOOTING METHODS.....	21
A. TROUBLE SHOOTING ACCORDING TO DISPLAYED ERROR MESSAGE.....	21
B. TROUBLE DIAGNOSES AND REPAIR BY SYMPTOM.....	23
9. INSTALLATION INSTRUCTION	27
10. EXPLODED VIEW	34
11. REPLACEMENT PART LIST	41

CAUTION !

- DISCONNECT POWER CORD BEFORE SERVICING
- RECONNECT ALL GROUNDING DEVICES

IMPORTANT SAFETY NOTICE !

This service information is intended for individuals possessing adequate backgrounds of electrical, electronic and mechanical experience.

Any attempt to repair this appliance may result in personal injury and property damage.

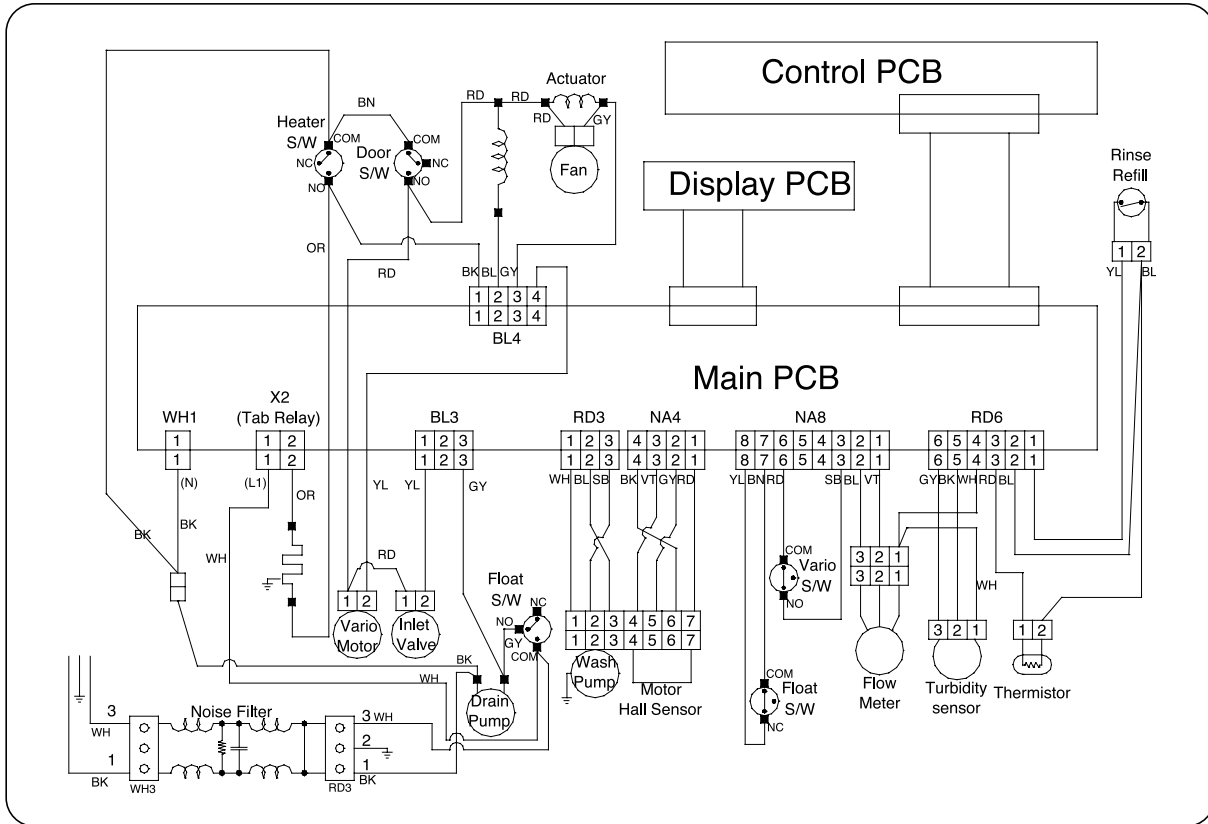
The manufacturer or seller can not be responsible for the interpretation of this information, nor can it assume any liability in connection with its use.

2. SPECIFICATION

ITEM	SPECIFICATION
Rated Voltage / Frequency	AC 120V/60Hz
Installation	Built-In
Place Settings	16
Product Dimension(in)	23 3/4" x 24 5/8" x 33 5/8"
Product Weight(lbs)	89lbs
Door Color	White, Black, Stainless
Tub Material	Stainless Steel
Control	Electronic
Rated Power(Watt)	1,350
Heater Power(Watt)	1,200
Programs	4
Upper Rack Position	manual
Lower Rack	Fixed Tines
Water Consumption (ℓ)	10-26 (Normal)
Power Consumption(kWh/year)	285-310
Operating Time (min)	101-135 (Normal)
Fan Dry System	Yes
Delay Start Function	No
Auto-Off Power Switch	Yes
Process Monitor	Yes
Wash Level	5
Racks	Nylon Coating
Operating Water Pressure (Bar)	20-120 (140-830kPa)

3. WIRING DIAGRAM

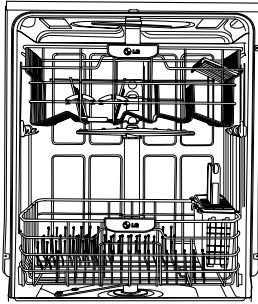
LDS4821 serie



4. FEATURES & TECHNICAL EXPLANATION

4-1. Product Features

■ Ultra Big Capacity

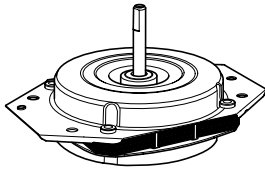


If you raise the Upper Rack, you can load large dishes in the Lower Rack. (Max. 14 in.)

The tall tub provides large dishes loading as well as large capacity.

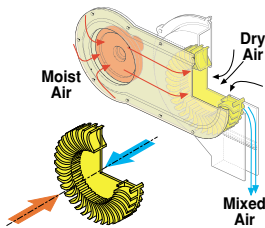
LG dishwashers let you load oversized items in the Lower and Upper Rack.

■ Slim Direct Motor™



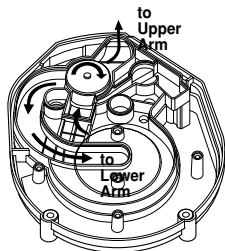
Newly introduced Slim Direct Inverter motor is inverter-controlled. Speed is controlled based on program selection. It also offers high energy efficiency to minimize energy loss.

■ Hybrid Drying System



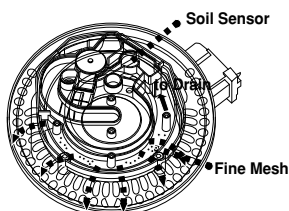
This is one of the best performance solutions for drying dishes because it minimizes venting humid air to the outside of the dishwasher. In addition, this system ensures better drying results compared to the condensing drying system.

■ Vario Spray System



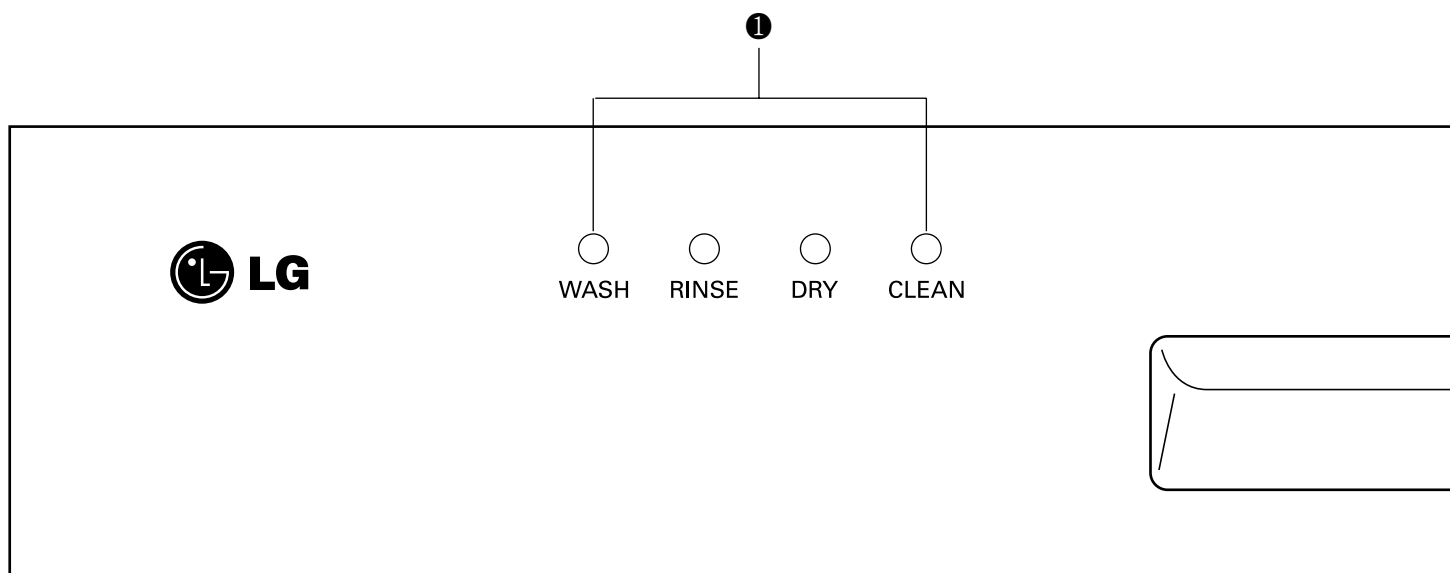
Because of alternating water spray between the Upper and Lower Rack, the water pressure allows superior performance and reduced consumption of water and electricity.

■ Self Cleaning Filter



For best wash results, the self-cleaning filter system continuously cleans the water as it circulates. Your LG dishwasher has a self-cleaning filter that grinds food into small particles before it goes down the drain.

4-2. Display Panel LDS 4821 Series



❶ PROCESS INDICATOR (Signalight™)

- Current program phase is indicated.

❷ INDICATOR

- Child Lock (🔒): Lamp will turn on when Child Lock setting is on.
- Rinse Aid (💧): Refill with rinse aid when Lamp turns on.

❸ TIME REMAINING

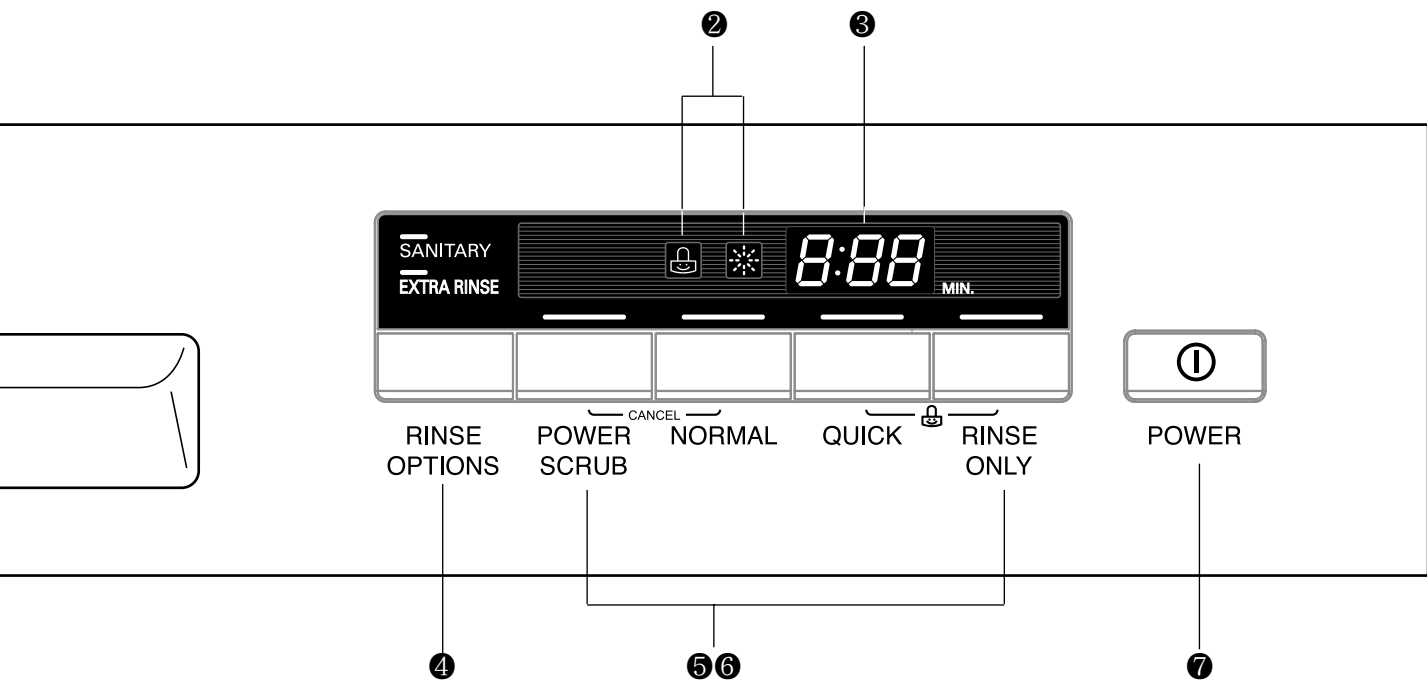
- Indicates normal run time for the cycle selected.
- During the cycle, the estimated time remaining for the selected cycle will be displayed.

❹ RINSE

Repeated pressing of the Rinse button will select Sanitary, Extra Rinse or both.

- If you select the Sanitary Function, Sanitary Light blinks when the water temperature meet sanitary Temp. and illuminates at the end of cycle when Conditions have been met to achieve sanitization.
- When you select Extra Rinse, an additional rinse cycle is added.

NOTE These high temperature rinse sanitizes dishware and glassware in accordance with NSF/ANSI Standard 184 for Residential Dishwashers. Certified residential dishwashers are not intended for licensed food establishments.



5 PROGRAM

- Press the program that corresponds to your desired wash cycle.

POWER SCRUB	This program is for very heavily soiled loads.
NORMAL	This program is for normally soiled, every loads.
QUICK	This program is for that quick wash of lightly soiled, recently used dishes and cutlery.
RINSE ONLY	This program is for just a quick rinse dishes. No detergent is used.

6 CANCEL & CHILD LOCK

- To cancel a running cycle, open the door, then press and hold the POWER SCRUB and NORMAL buttons together for 3 seconds. The drain pump will be activated and the cycle will be canceled.
- To lock/unlock the buttons, press QUICK and RINSE ONLY simultaneously for 3 seconds. When CHILD LOCK is set, all buttons are disabled.

7 POWER

Pressing the POWER button turns on power to the control.

- After the cycle is complete, the power automatically switches off after 4 minutes for safety and economy.
- If there is an unusual Power surge or disturbance, the power will be automatically turned off for safety and the cycle will have to be started over.

NOTE Only sanitary cycle have been designed to meet the requirements of performance for soil removal and sanitization efficacy. There is no intention, either directly or indirectly, that all cycle on a certified machine have passed the sanitization performance test.

4-3. TEST MODE LDS4821 Series

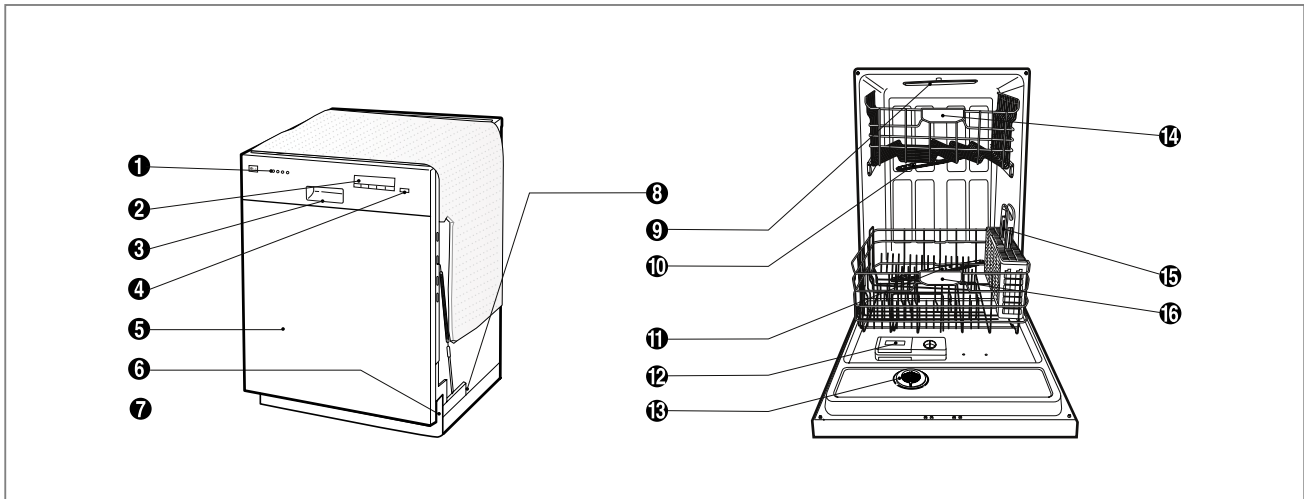
CHECK PROGRAM

BUTTON	The number of pushing button	Top Display	Load and Checking points	Door open/closed
RINSE+NORMAL +POWER S/W	1 TIME	n : 3H/U00	All LEDs are lighting	Both
POWER SCRUB	1 TIME	1:11	All LEDs are lighting	Both
NORMAL	1 TIME	2:22	All LEDs are lighting	Both
QUICK	1 TIME	3:33	All LEDs are lighting	Both
RINSE ONLY	1 TIME	4:44	All LEDs are lighting	Both
RINSE	1 TIME	Soil Level	Soil Sensor	Both
	2 TIME	n:32	Wash Pump	Closed
	3 TIME	n:33	Drain Pump	Closed
	4 TIME	①Frequency	Inlet Valve	Both
	5 TIME	n:35	Dispenser	Closed
	6 TIME	n:36	Heater (for 10 sec)	Closed
	7 TIME	n:37	Fan	Closed
	8 TIME	n:38		
	9 TIME	Temp.(°C)	Thermistor	Both
	10 TIME	n:3a	Lower Nozzle(VARIO)	Closed
	11 TIME	n:3b	Upper Nozzle(VARIO)	Closed
	12 TIME	n:3c	Auto-Off(Wash-Drain-Water Supply)	Closed

① Normal Water Level : 270

5. PARTS NAME

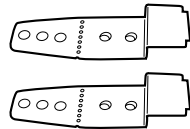
5-3. LDS 4821 Series



- ❶ Control Panel
- ❷ Front Display
- ❸ Door Handle
- ❹ Power Button
- ❺ Front Cover
- ❻ Lower Cover
- ❼ Leveling Foot
- ❽ Base

- ❹ Top Spray Arm
- ❺ Upper Spray Arm
- ❻ Lower Spray Arm
- ❼ Detergent & Rinse Aid Dispenser
- ❽ Vapor Vent Cover
- ❾ Upper Rack
- ❿ Cutlery Basket
- ⓫ Lower Rack

Accessories



INSTALL BRACKET



WOOD SCREW

※ The appearance and specifications may be varied without notice according to localities.

6. PROGRAM CHART(SCHEMATIC DIAGRAM)

LDS 4821 Series

Program chart

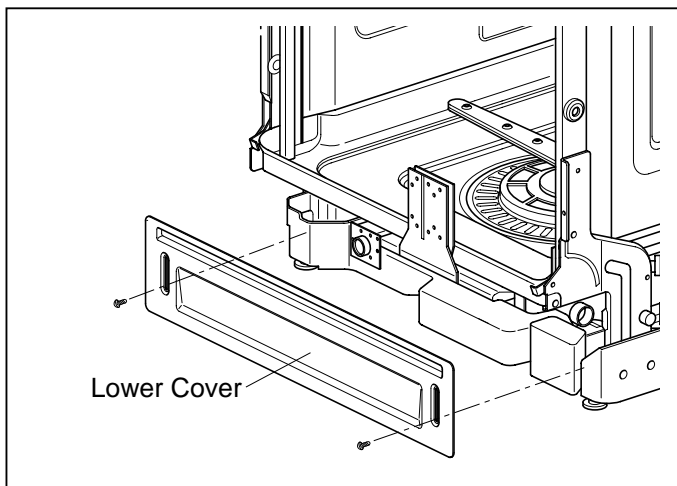
Program	Wash																				Rinse																				Dry									
	Pre Wash 1					Pre Wash 2					Pre Wash 3					Main Wash					Rinse 1					Rinse 2					Heating Rinse				Dry															
	Drain A	Water Supply	Wash	Stop	Drain B	Drain B	Wash	Water Supply	Drain B	Wash	Water Supply	Drain B	Wash	Water Supply	Drain B	Wash	Water Supply	Drain B	Wash	Water Supply	Drain B	Wash	Water Supply	Drain B	Wash	Water Supply	Drain B	Wash	Water Supply	Drain B	Wash	Water Supply	Drain B	Heating A	Heating B	STOP	Drain	STOP	Drain	STOP	Drain	Dry	Dry	Drain D						
Power Scub	17		11		11		36		63		12		12		12		12		12		26	2	66		26	2																			28					
Normal	11		11				32		60		12		12								20	5	65		20	5																			28					
Rinse Only																																																		
Upper Only	6		6		6		22		60		6		6		6		6		6		20	2	65		20	2																				28				
W/Motor																																																		
Drain Pump																																																		
Inlet Valve																																																		
Heater																																																		
Water Motor																																																		
Fan Motor																																																		
Dispenser																																																		
Thermal Act																																																		
Auto Off SW																																																		

7. HOW TO DISASSEMBLE

BEFORE DISASSEMBLING THE DISHWASHER ;

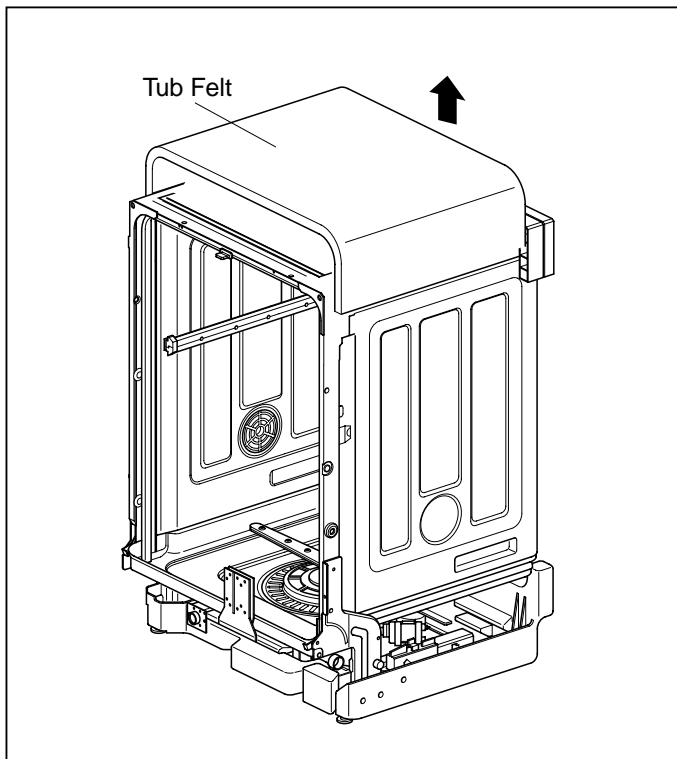
- 1) Remove the cord from electric outlet to avoid electric shock.
- 2) Close the Water Tap (faucet).
- 3) Remove all dishes and items in the dishwasher.
- 4) Remove the Lower Rack and the Upper Rack.
- 5) Remove the inlet hose and drain hose connection to avoid the hose damages.
- 6) Prepare some towels to avoid floor wet by the water left in the dishwasher.

7-1. FULL DISASSEMBLE



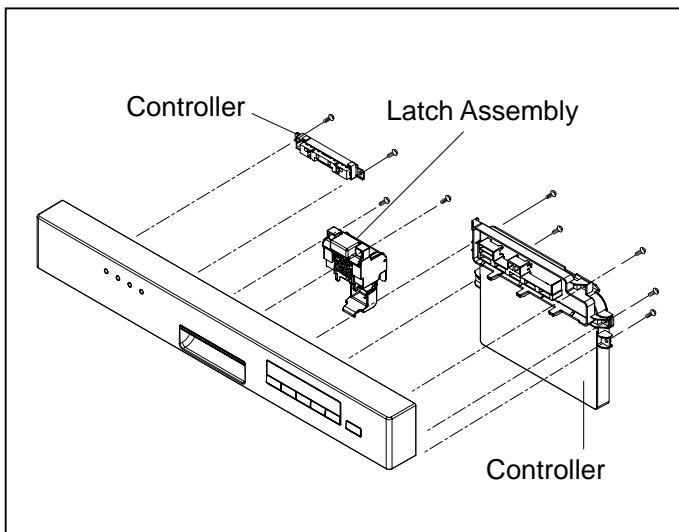
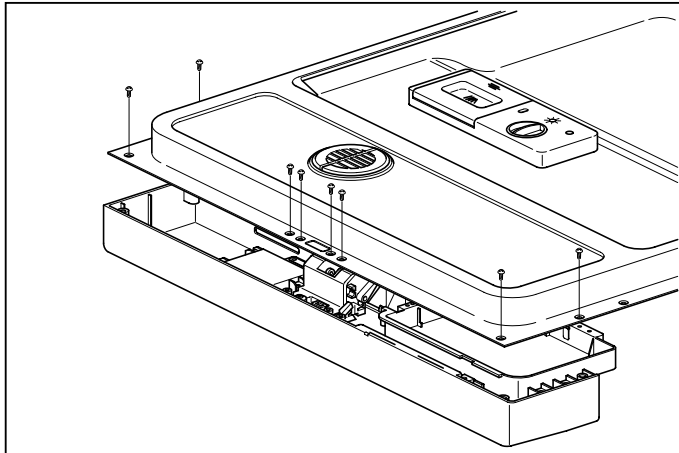
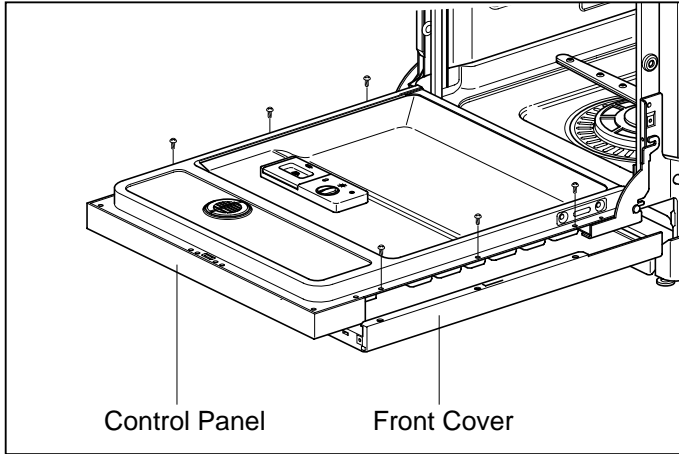
1. Lower Cover and Lower Felt

- 1) Remove the front 2 screws.
- 2) Remove the Inlet Hose and Power Supply Cable.



2. Tub Felt

- 1) Tub Felt
 - ① Pull the Tub Felt.



3-1. Door Assembly

1) Front Cover

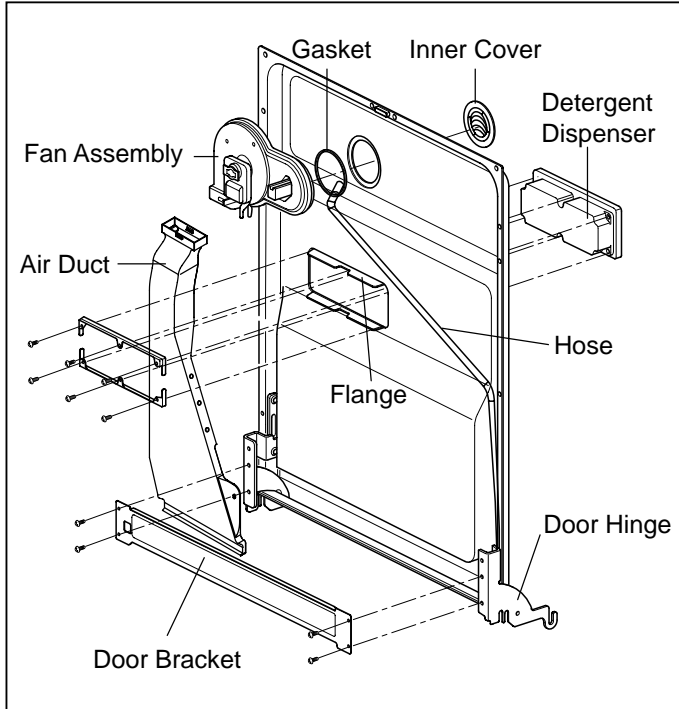
- ① Open the door.
- ② Remove 6 screws(stainless).

2) Control Panel Assembly

- ① Remove 8 screws(Stainless).
- ② Remove the wire connections.

Be sure the wiring should not be changed in reassembling

- ③ Remove the Latch assembly.
- ④ Remove the Front Display.
- ⑤ Remove 8 screws for Controller.

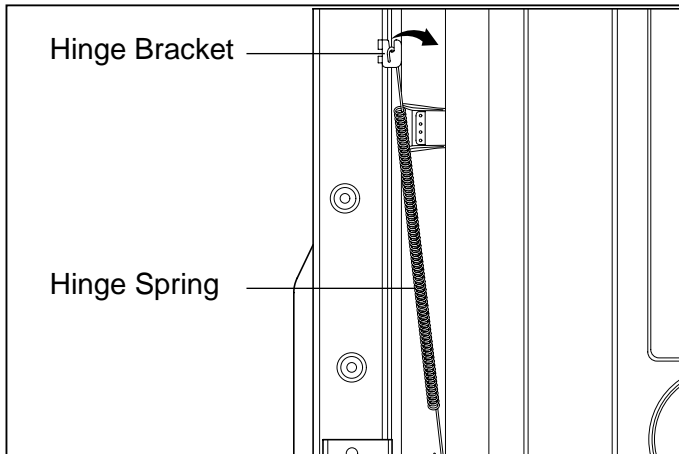


3) Fan Assembly

- ① Open the door.
- ② Remove 4 screws and a earth screw for Door Bracket.
- ③ Remove the wire connetions.
- ④ Remove the Air Duct.
- ⑤ Turn the Inner Cover counterclockwise.

4) Detergent Dispenser

- ① Close the door
- ② Remove the wire connections.
- ③ Remove 6 screws with brackets.
- ④ Push the Detergent slowly pulling up the the Flange by Standard Screwdriver.

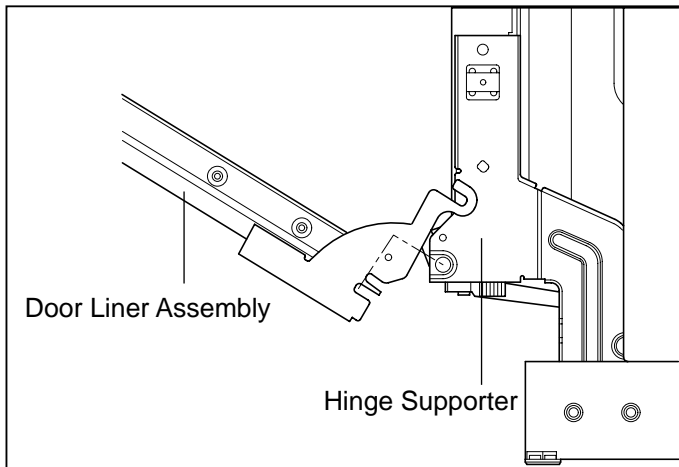


5) Door Spring (Right & Left)

- ① Push the Spring upwards and take it off from the Hinge Bracket.

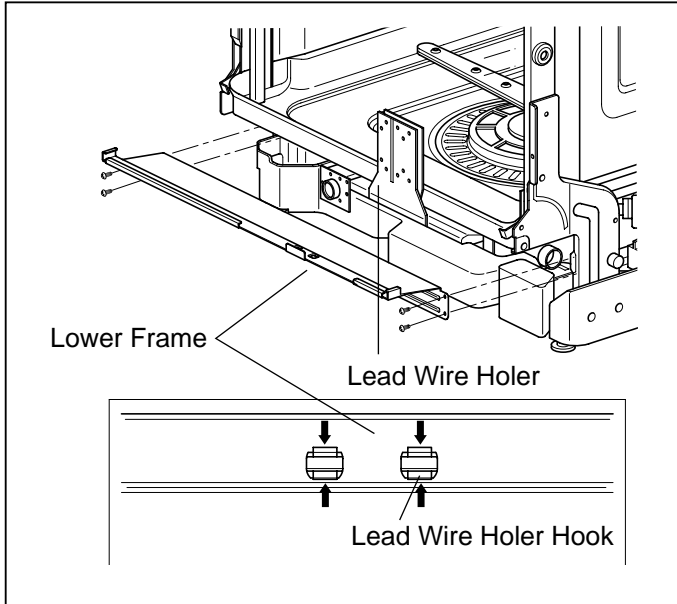
Be careful not to be injured by the sharpedge of Tub.

- ② Take off the Hinge Link from the Hinge.



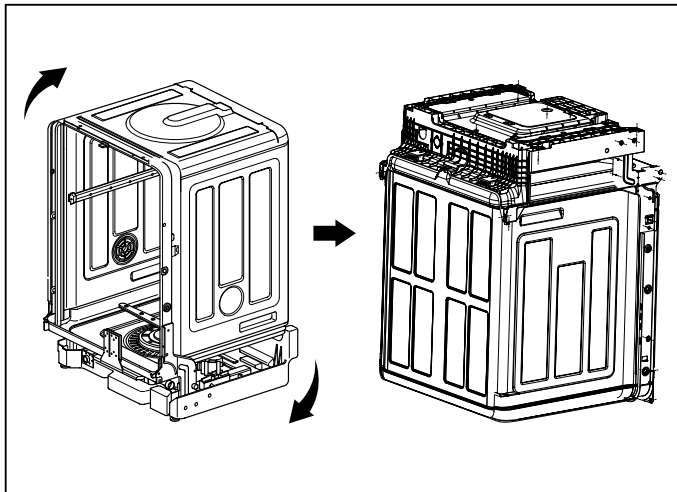
6) Door Liner

- ① Open the door.
- ② Pull the Door Liner and take it off from the Hinge Supporter.

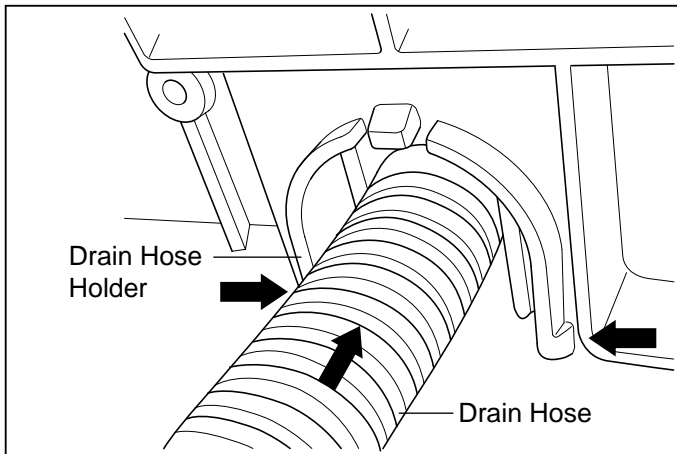


4. Lower Frame

- 1) Press the holder hook as shown in figure.
- 2) Remove 4 screws.

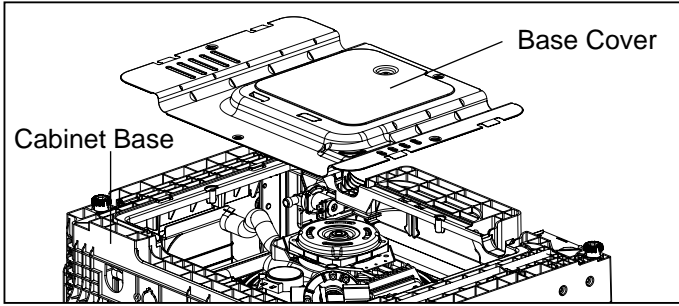


5. Put the Dishwasher upside down.



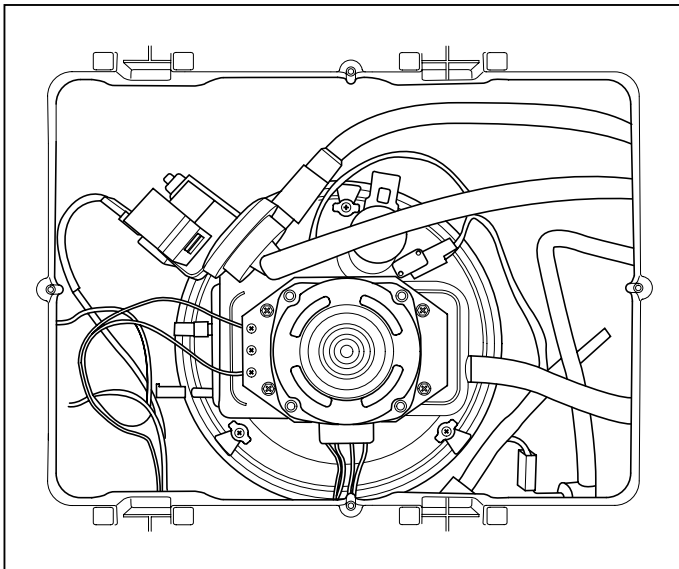
6. Drain Hose Holder

- 1) Press the holder hook as shown in figure.
- 2) Pull the Drain Hose and remove the Drain Hose Holder.



7. Base Cover

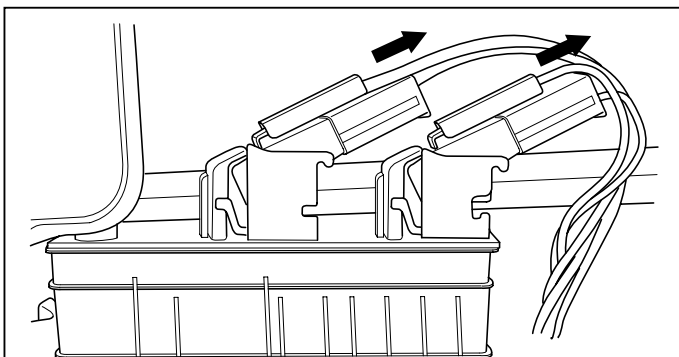
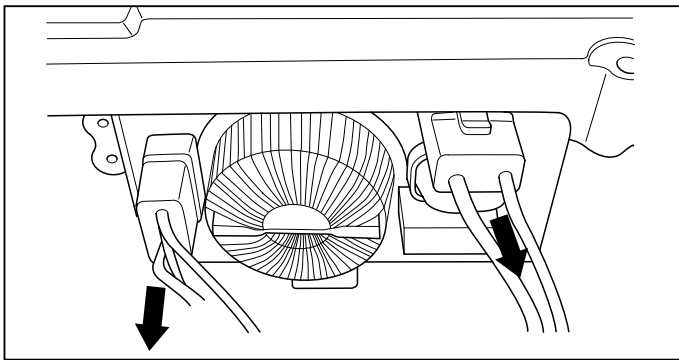
- 1) Remove 2 screws.
- 2) Pull the Base Cover out.

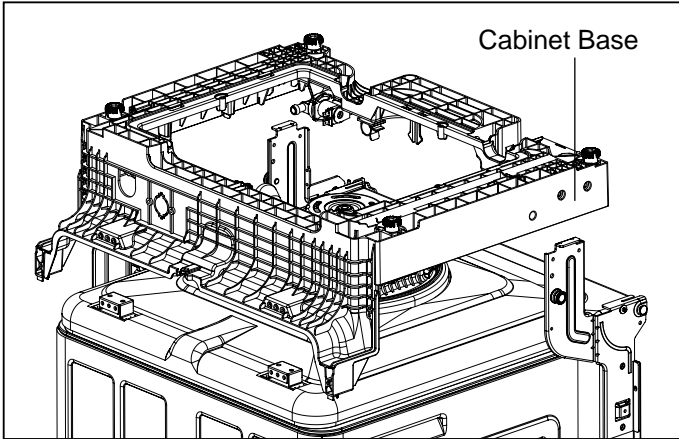


8. Harness & Hose Assembly

- 1) Remove the wiring connections.
- 2) Remove the Hose connections from Sump Assembly.

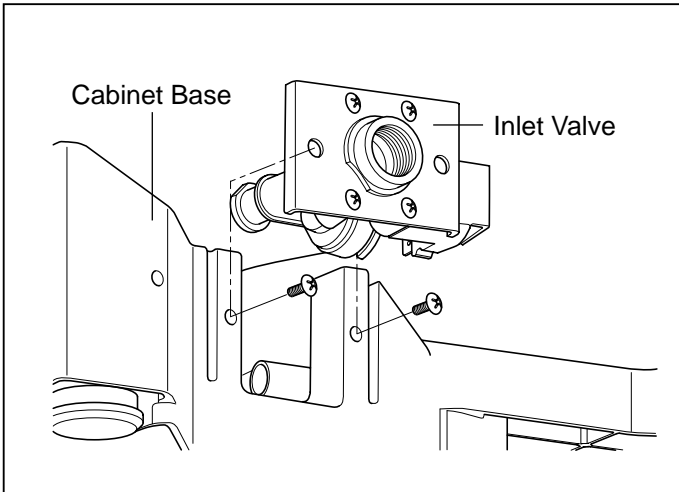
You can see the information of Wiring Diagram at the back of Lower Cover.





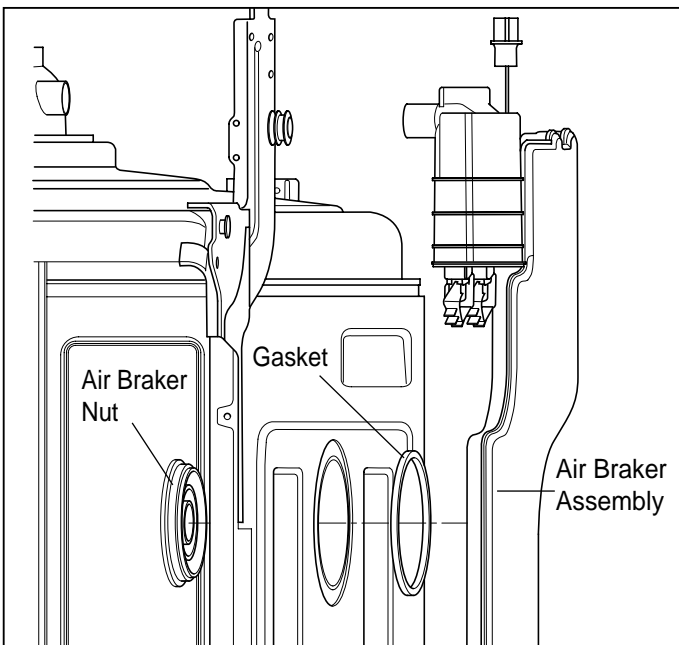
9. Cabinet Base

- 1) Remove 8 screws.
- 2) Lift it upward.



10. Inlet Valve

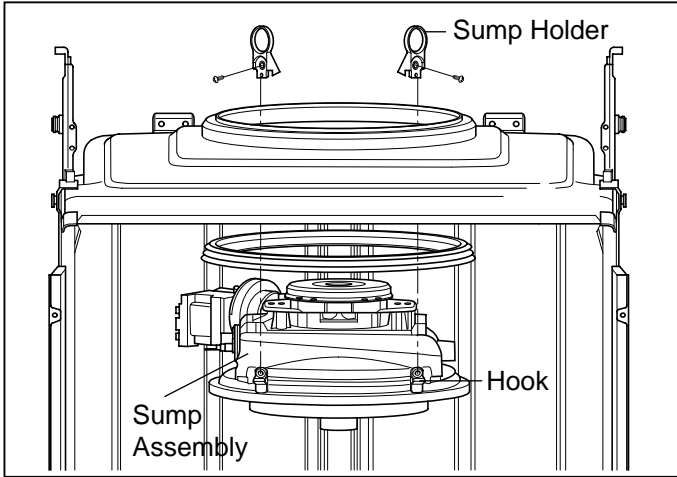
- 1) You can disassemble the Inlet Valve by removing the 2 screws.



11. Air Braker Assembly

- 1) Disconnect the 3 hoses assembly.
- 2) Turn the Air Braker Nut counterclockwise.

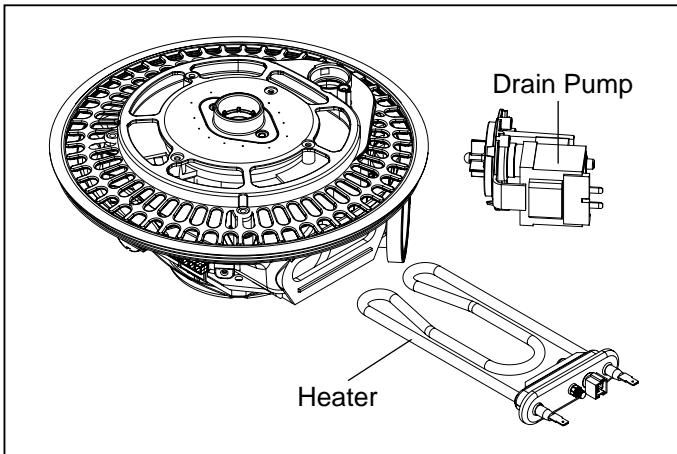
Be careful the o-ring should not be lost.



12. Sump Assembly

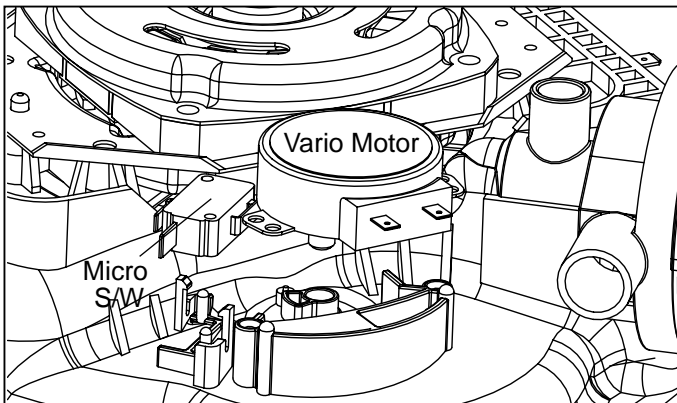
- ① Remove 2 screws.
- ② Remove the Sump Holder and push the Sump Assembly down with pulling aside Hook.

Be careful not to drop the Sump Assembly to the bottom.



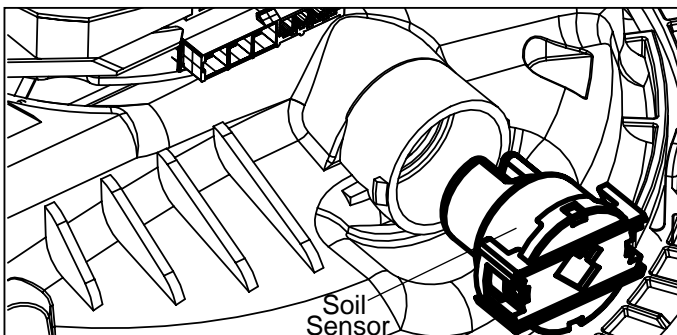
1) Heater & Drain Motor

- ① Pull the Heater out of the Sump after releasing the nut.
- ② Remove 3 screws.



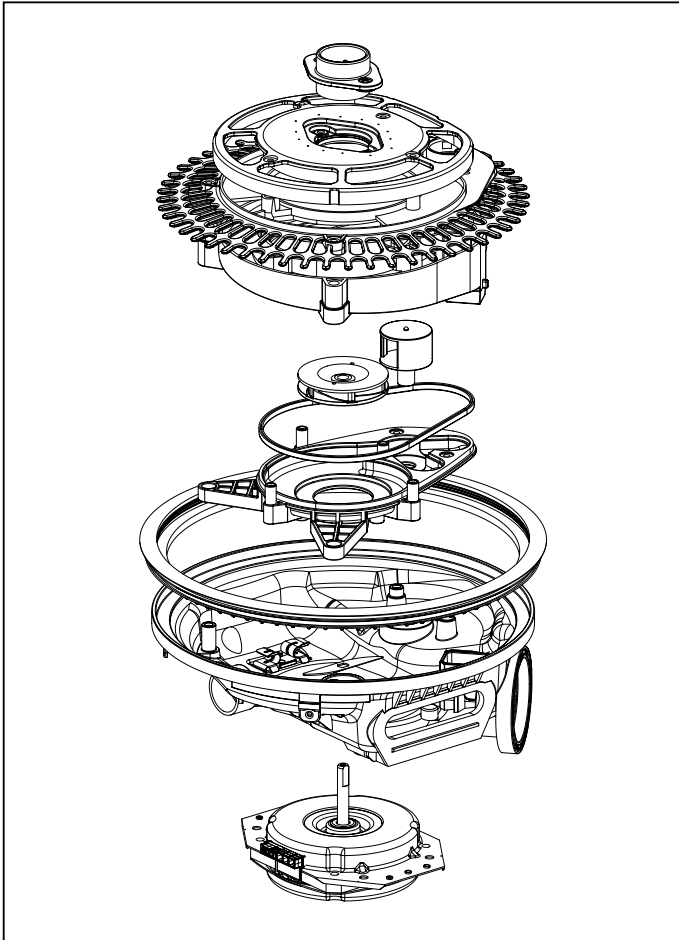
2) Vario Motor

- ① Remove 2 screws for Vario Motor.
- ② Pull the Vario Motor and Micro S/W.



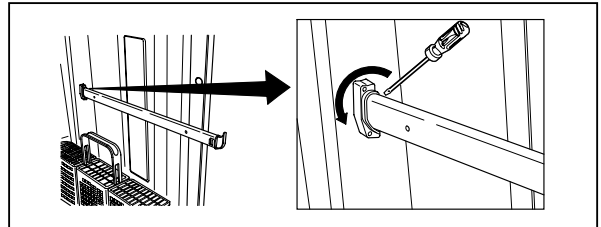
3) Soil Sensor

- ① Pull the Soil Sensor.



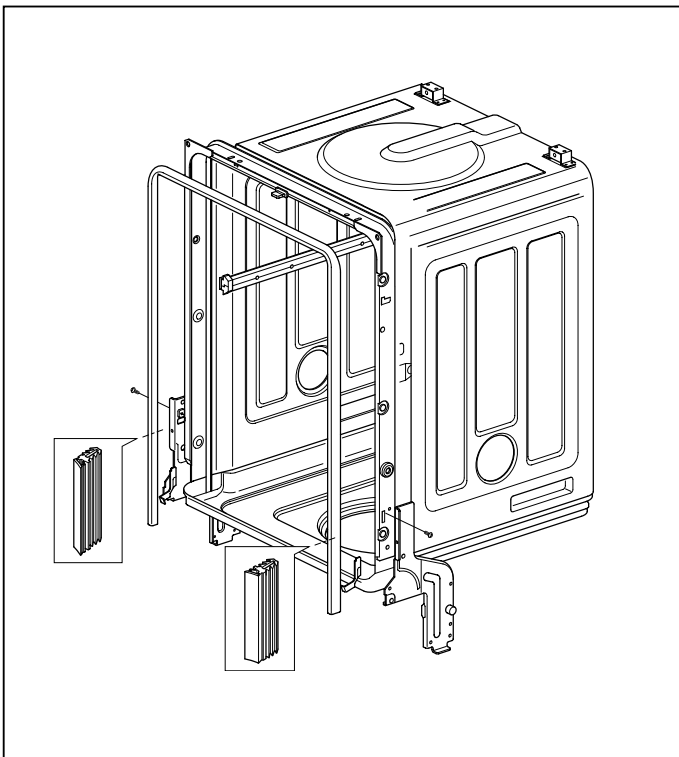
When you reassemble the Sump Assembly, be careful not to kink, tear and take off the seals.

13. Holder Supporter, Tub Packing and Hinge Supporter Assembly.






Rotate the screwdriver, after slide it into the gap between Stopper Roller and Rail Roller.


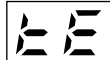

You must take off Stopper Roller(F117) by – screwdriver to change the Rail Assembly. (Stopper Roller could be broken while you are taking off. So you should be careful not to be hurt and have extra stopper rollers ready at servicing at all times)



8.TROUBLE SHOOTING METHODS

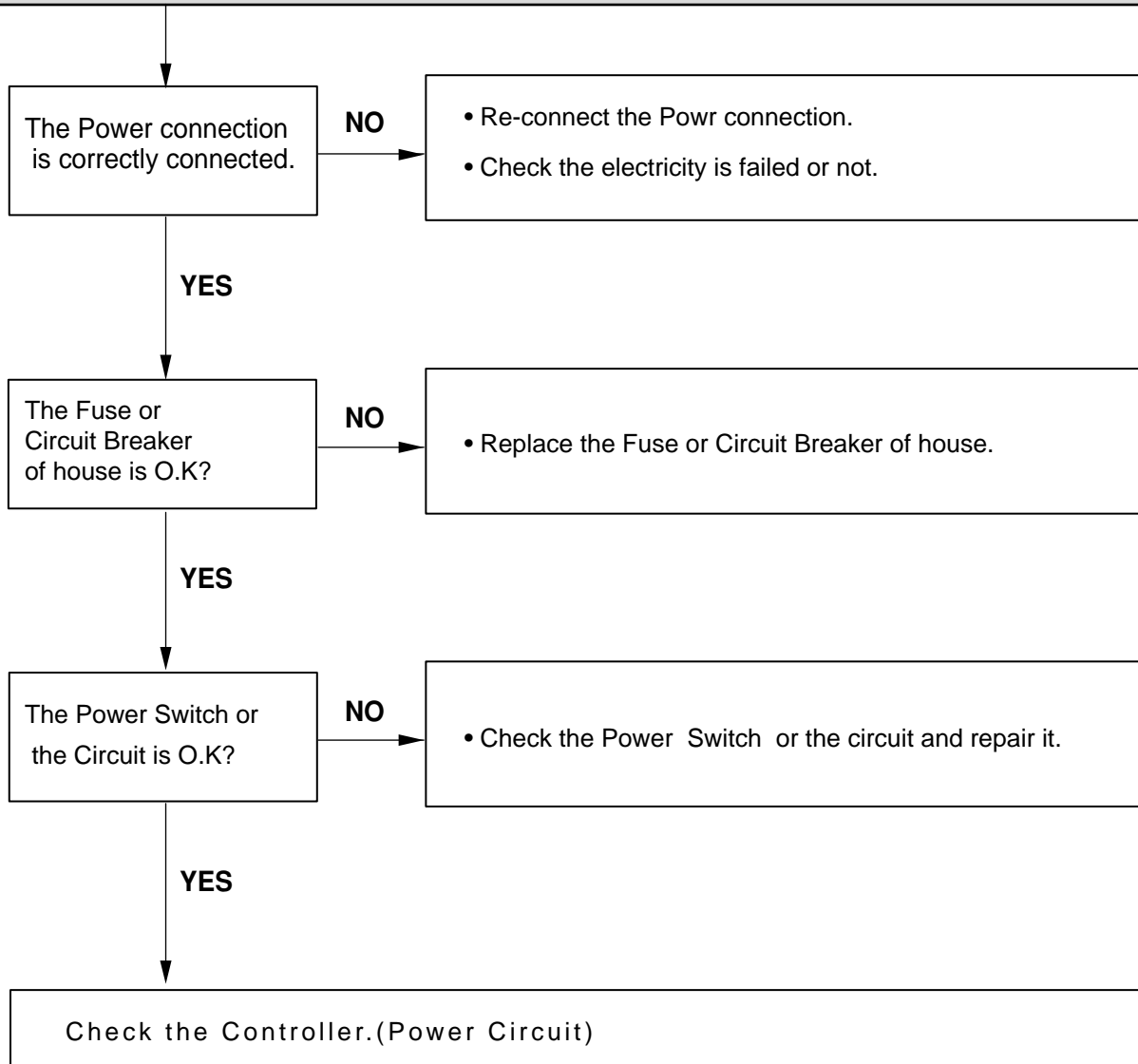
A. TROUBLE SHOOTING ACCORDING TO DISPLAYED ERROR MESSAGE

ERROR MESSAGE	POSSIBLE CAUSE FOR ERROR OCCURRENCE	REMEDY
<p>INLET ERROR</p>  <p>displayed</p> <p>Condition Not reached to the normal water level in spite of 10 min. water supply</p>	<ul style="list-style-type: none"> • The Water Supply Tap is closed. • The Water Supply is shut off. • The Inlet Hose is kinked. • The Water Pressure is very low. (below 10 psi) • Inlet Valve is OK? • The filter of Inlet Valve is clogged by impure water. • The Hall sensor is OK? • The Impeller of Air Guide is bound. 	<ul style="list-style-type: none"> • Take action on Water Supply device. • Measure the electric resistance of Inlet Valve. (950-1300 Ω) • Clean the filter of Inlet Valve. • Check the frequency of Inlet Water by the Test Mode. • Replace the Air Braker.
<p>DRAIN ERROR</p>  <p>displayed</p> <p>Condition Not fully drained out in spite of 5 min. drain operation</p>	<ul style="list-style-type: none"> • The Drain Hose kinked or blocked. • Wiring connection is OK? • The drain outlet of sump is blocked. • The Drain Pump/Motor or circuit is troubled. 	<ul style="list-style-type: none"> • Remove the cause of kink or block. • Check the wiring connection. • Measure the electric resistance of Drain Motor. (20-40 Ω) • Replace the Drain Motor or repair the Circuit.
<p>LEAKAGE ERROR</p>  <p>displayed</p> <p>Condition The excessive RPM of Washing Motor happened during Wash cycle due to water leakage.</p>	<ul style="list-style-type: none"> • Water leakage in Hose connections. • Water is leaked by damages. • The Motor Water Seal leakage of Sump assembly. • The height of Drain Hose connection (sink-Drain Hose) is not over 20". • Impeller of the Washing Pump is worn away. 	<ul style="list-style-type: none"> • Replace the connections of Hose. • Check the point of damages and repair or replace the related parts. • Read the Installation Instructions (page 9) and fix it to the recommended Height. • Replace the Impeller of the Washing Pump.

ERROR MESSAGE	POSSIBLE CAUSE FOR ERROR OCCURRENCE	REMEDY
<p>EXCESS ERROR</p>  <p>displayed</p> <p>Condition</p> <p>Excessive water is supplied than normal water level.(Automatically drain Pump operated.)</p>	<ul style="list-style-type: none"> • The Inlet Valve is troubled. • The Controller is troubled. 	<ul style="list-style-type: none"> • Replace the Inlet Valve. • Repair or replace the Controller.
<p>THERMAL ERROR</p>  <p>displayed</p> <p>Condition</p> <p>The resistance of thermistor not normally out put.</p>	<ul style="list-style-type: none"> • The Inlet Water Temperature is very high. (over 194 °F) • Wiring connection is OK? • The Thermistor is OK? 	<p>Check the temperature. (Test Mode)</p> <ol style="list-style-type: none"> 1) If the temperature is displayed, <ul style="list-style-type: none"> ① adjust the Inlet Water Temperature to 120 °F. 2) If the temperature is not displayed, <ul style="list-style-type: none"> ① check the wiring connection. ② check the electric resistance of Thermistor. (11~14k Ω at 77 °F) ③ Replace the PCB.
<p>MOTOR ERROR</p>  <p>displayed</p> <p>Condition</p> <p>The Motor is working abnormally.</p>	<ul style="list-style-type: none"> • Wiring connection is OK? • The Impeller of Washing Pump is locked. • The rotor of Washing Motor is locked. • The Blade is locked. 	<ul style="list-style-type: none"> • Check the wiring connection. • Replace the cause of restriction. • Replace the Washing Motor. • Replace the PCB.

B. TROUBLE DIAGNOSES AND REPAIR BY SYMPTOM

No Power on when the power button pressed.



The Wash Pump/Motor does not run.

The Door is tightly closed?

NO

- close the Door tightly.
- Check the Door Switch in Latch Handle.

YES

The Wiring connections is OK?

NO

- Re-connect the wiring connections related to the Washing Motor.

YES

The Blade is not locked by a small and sharp object?

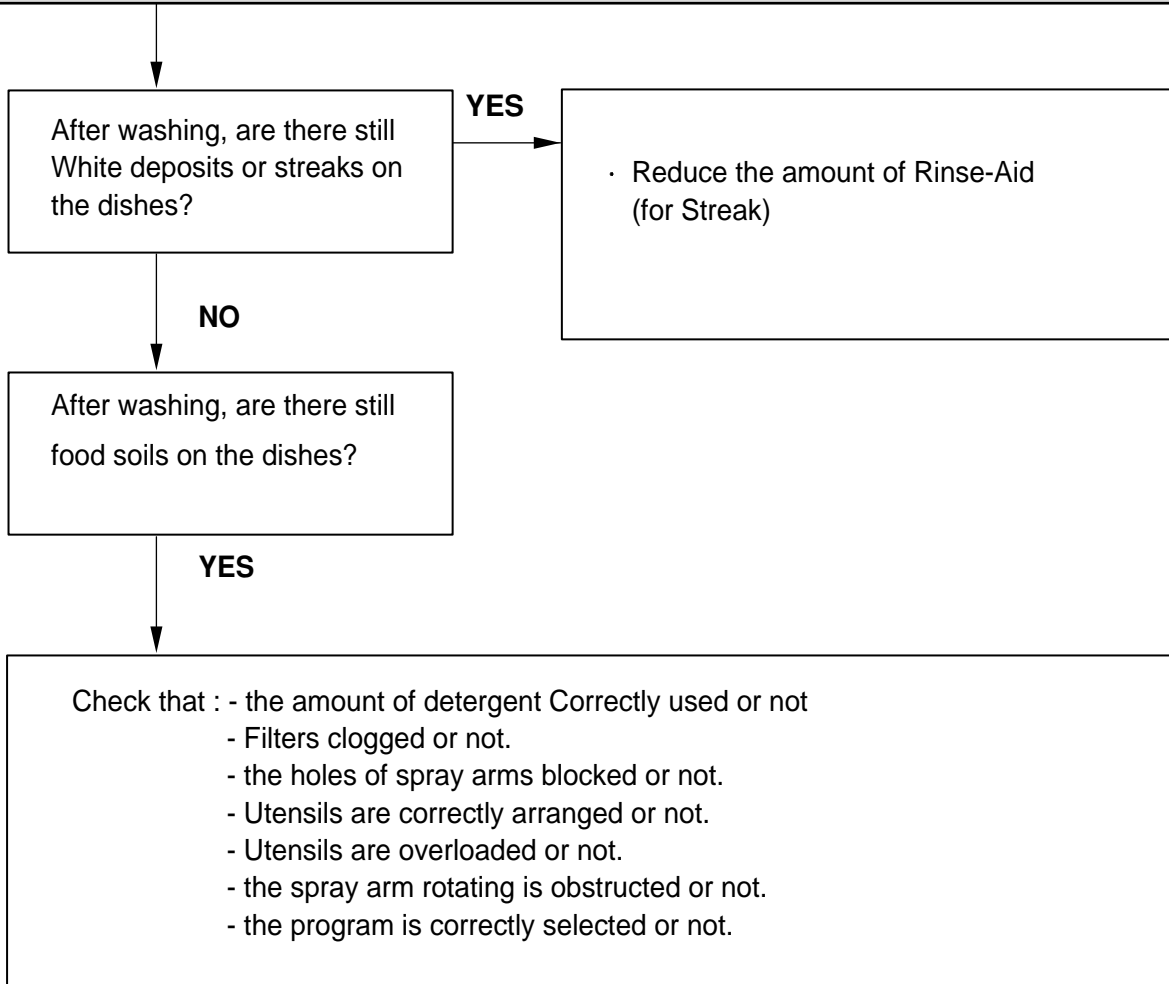
NO

- Remove the cause of lock or replace the Blade.

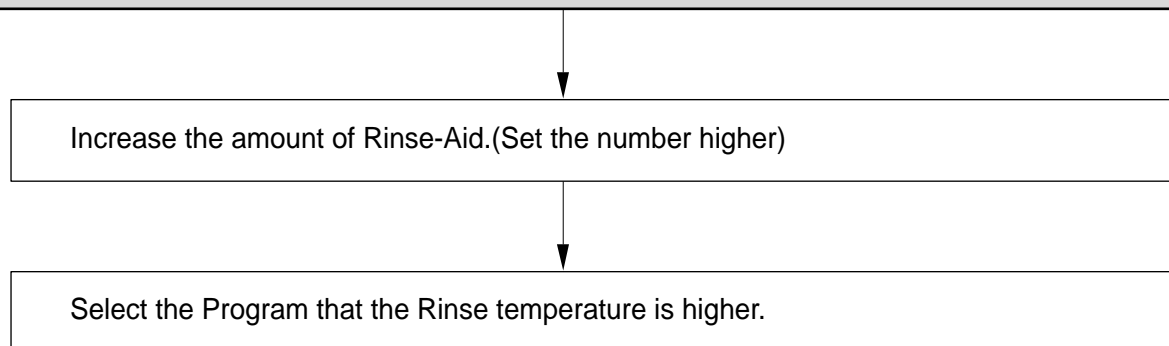
YES

Replace the Wahing Pump/Motor

Washing Results are not Satisfactory



Dry Results are not satisfactory



Power Button not automatically off after operation.

Check the button is blocked by foreign materials.

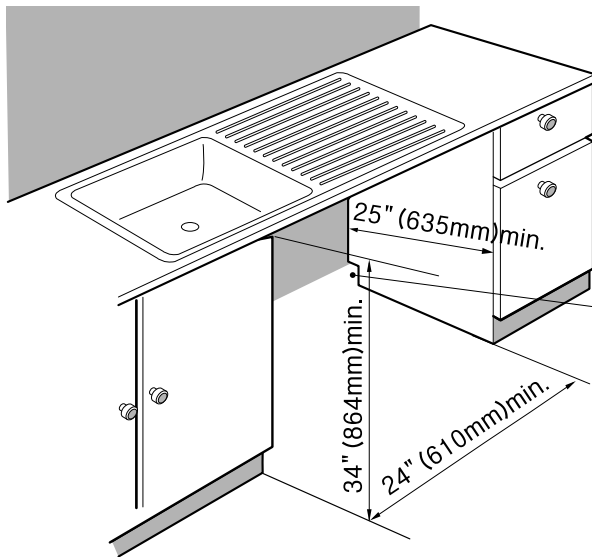
Check the Power Switch.(Replace it, if necessary.)

Check the Controller.(Replace it, if necessary.)

9. INSTALLATION INSTRUCTION

Step 1: PREPARE CUPBOARD OPENING

1. This dishwasher is designed to fit a standard dishwasher opening as shown below.
2. Select a location as close to sink as possible for easy connections to water and drain lines.
3. The dishwasher should not be installed more than 10 ft. (3m) from the sink for proper drainage.
4. If dishwasher is to be installed in a corner, a minimum of 2 in. (50mm) is required between the dishwasher and an adjacent wall.



If dishwasher will sit directly on subflooring, subfloor should be sealed with a waterproof paint or sealer to prevent damage from steam.

Drill a 1-1/2" (38mm) dia hole or cut out for drain hose, inlet hose and electrical cables on either side.
approx. 4" (100mm, W) X 4" (100mm, H)
These openings must be within 4" (100mm) from the floor and 1-5/8" (40mm) from the back wall. If there is a floor in the cabinet under the sink, it will also be necessary to drill or cut through the floor to connect the water and drain under the sink.

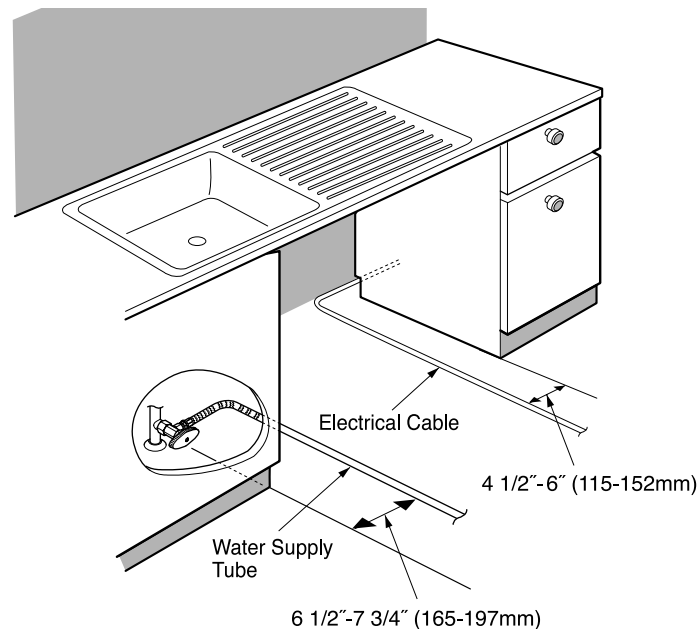
- Ensure the floor under the dishwasher is at the same level as the rest of the room to allow for any service requirements.

Step 2: PREPARE THE ELECTRICAL WIRING

⚠ WARNING

For personal safety, remove house fuse or open circuit breaker before installation.
Do not use an extension cord or adapter plug with this dishwasher.
Electrical and grounding connections must comply with the national electrical code/provincial and municipal code and/or other local codes.

1. This appliance must be operated with correct voltage as shown in this manual and on the rating plate, and connected to an individual, properly grounded branch circuit, protected by time delay fuse. Wiring must be 3 wires including ground.
2. The wiring or cord should be in an accessible location adjacent to, and not behind the dishwasher and within 4 ft. (1.2m) of the dishwasher side.
3. The wiring or cord must be grounded properly, if in doubt, have it checked by a qualified electrician. No other appliance shall be connected to the same outlet by a double adapter or similar plug.
4. The wiring or cord must be oriented as shown in Figure A below.
5. Check the dishwasher for any damage before trying to install it.
6. Make sure water line and Electrical line are oriented in the bottom channels as shown in the figure below.
If you find any damage to the dishwasher, Please contact your dealer or builder immediately.

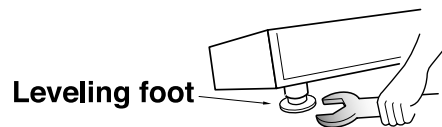


Step 3: PREPARE THE WATER SUPPLY CONNECTION

1. This dishwasher may be connected to either hot or cold water. If the water can not be maintained below 149°F (65°C), the dishwasher must be connected to cold water.
2. When connecting the dishwasher water line, sealing tape or compound should be used to avoid leaks.
3. When connecting the dishwasher water line, the house supply should be shut off.
4. The Water Supply Tube must be oriented as shown in Figure A on page 6.

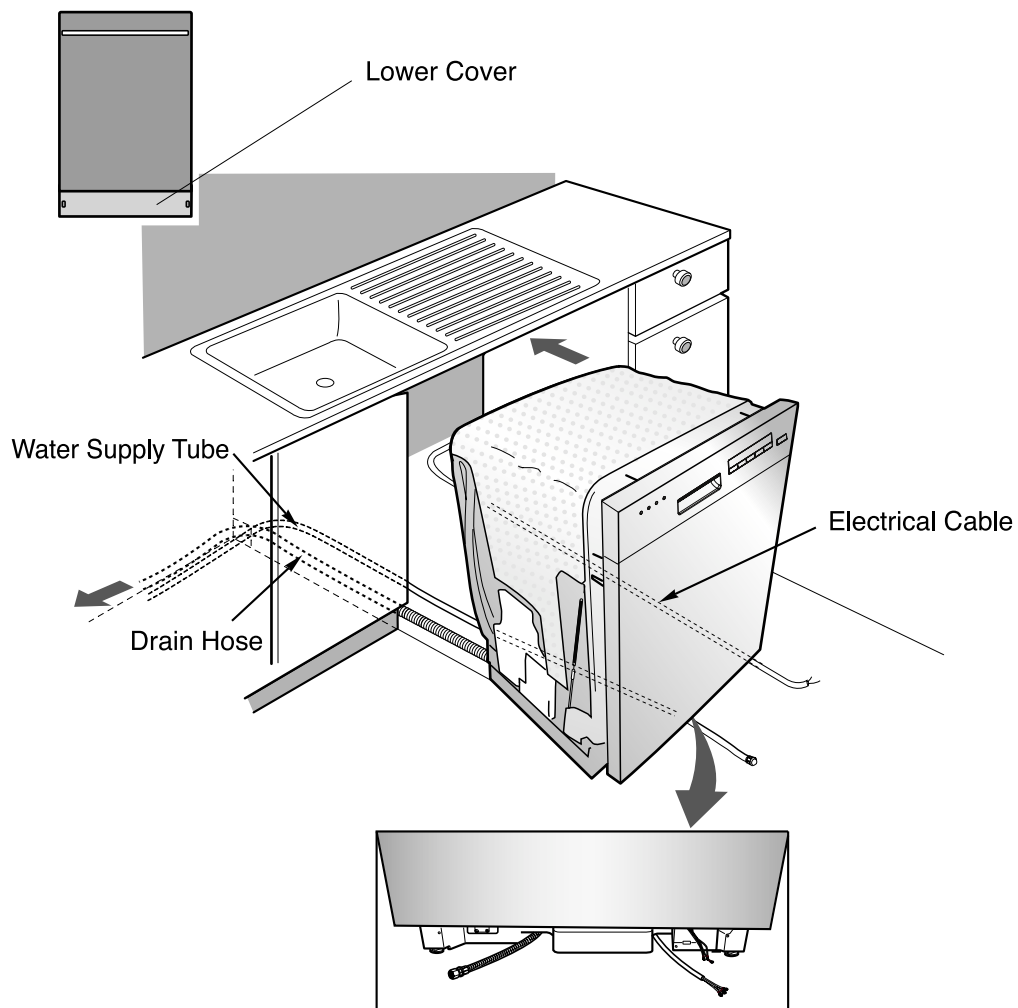
Step 4: PREPARE DISHWASHER FOR INSTALLATION

1. Adjust the legs to the required height to fit properly under the countertop as shown below.
2. Check the level of dishwasher by using level.



Step 5: INSTALL THE DISHWASHER IN CUPBOARD

1. Remove the Lower Cover and orient dishwasher as shown below.
2. Before sliding the dishwasher into the cupboard opening, make all necessary height adjustments using the legs.
3. Slide the dishwasher into the cabinet opening carefully. Make sure that the drain hose inside the cabinet is not kinked.
4. Follow the instruction as in Figure B.



Step 6: DRAIN LINE CONNECTION

1. If the end of the drain hose does not fit to the drain line, use an adapter (not supplied) that must be resistant to heat and detergent and may be obtained from a plumbing shop.
2. There are 2 typical connections as shown in Figures C & D.
 - ① There may be other options than shown here for connection the drain hose. The drain connection must meet local plumbing regulations.
 - ② The S trap spigot must be drilled out cleanly and free of obstruction to its maximum internal diameter, if used for drainage.
 - ③ To prevent syphoning, one of the following instruction methods must be followed:

Figure C: Connection to Disposer or waste Tee.

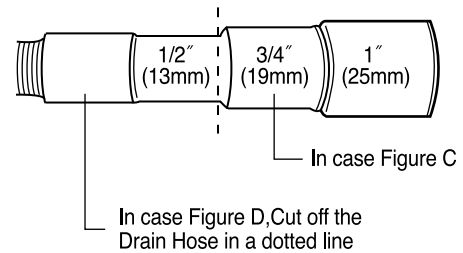
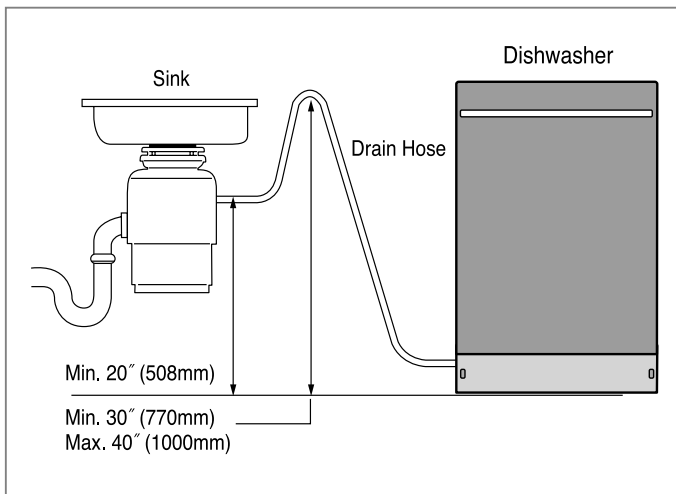
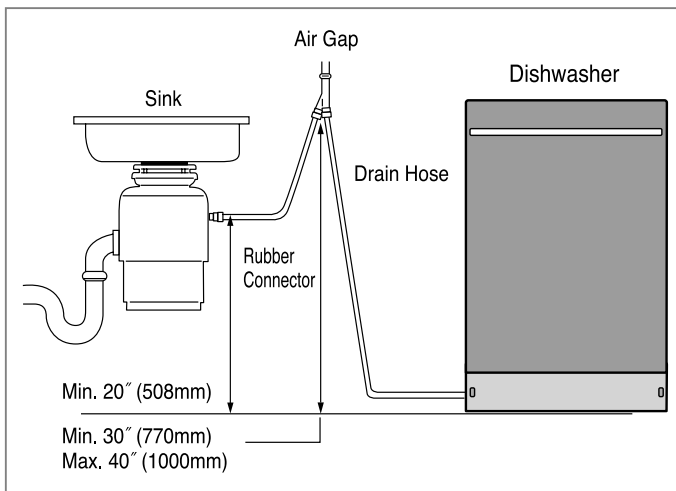


Figure D: Connection to Air Gap.

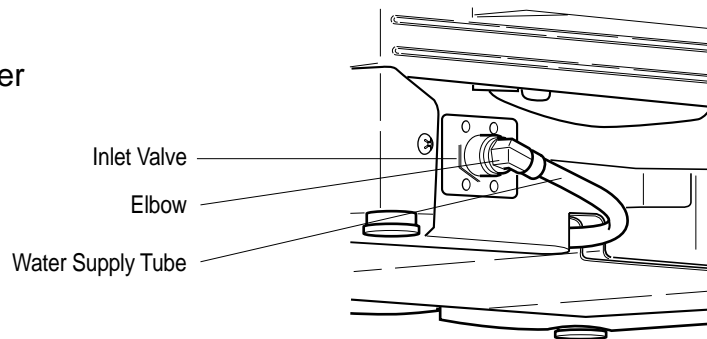


Drain Requirements

- Follow local codes and ordinances.
- Do not exceed 10 ft. (3m) distance to drain.
- Do not connect drain lines from other devices to the dishwasher drain hose.

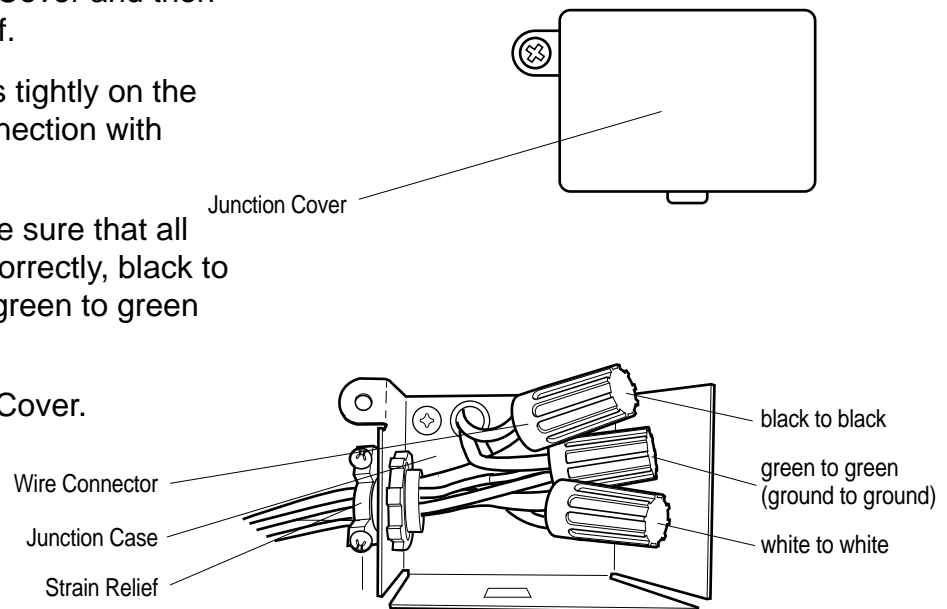
Step 7: WATER SUPPLY CONNECTION

1. When connecting, sealing tape or sealing compound should be used to avoid water leaks.
2. Before connecting, turn off the water supply.
3. After fitting the Elbow into the Inlet Valve, slide the Flexible Stainless Tube or Copper Tube into the Elbow.
4. Tighten the nut and make sure that the line is not kinked or sharply bent.



Step 8: ELECTRICAL POWER CONNECTION

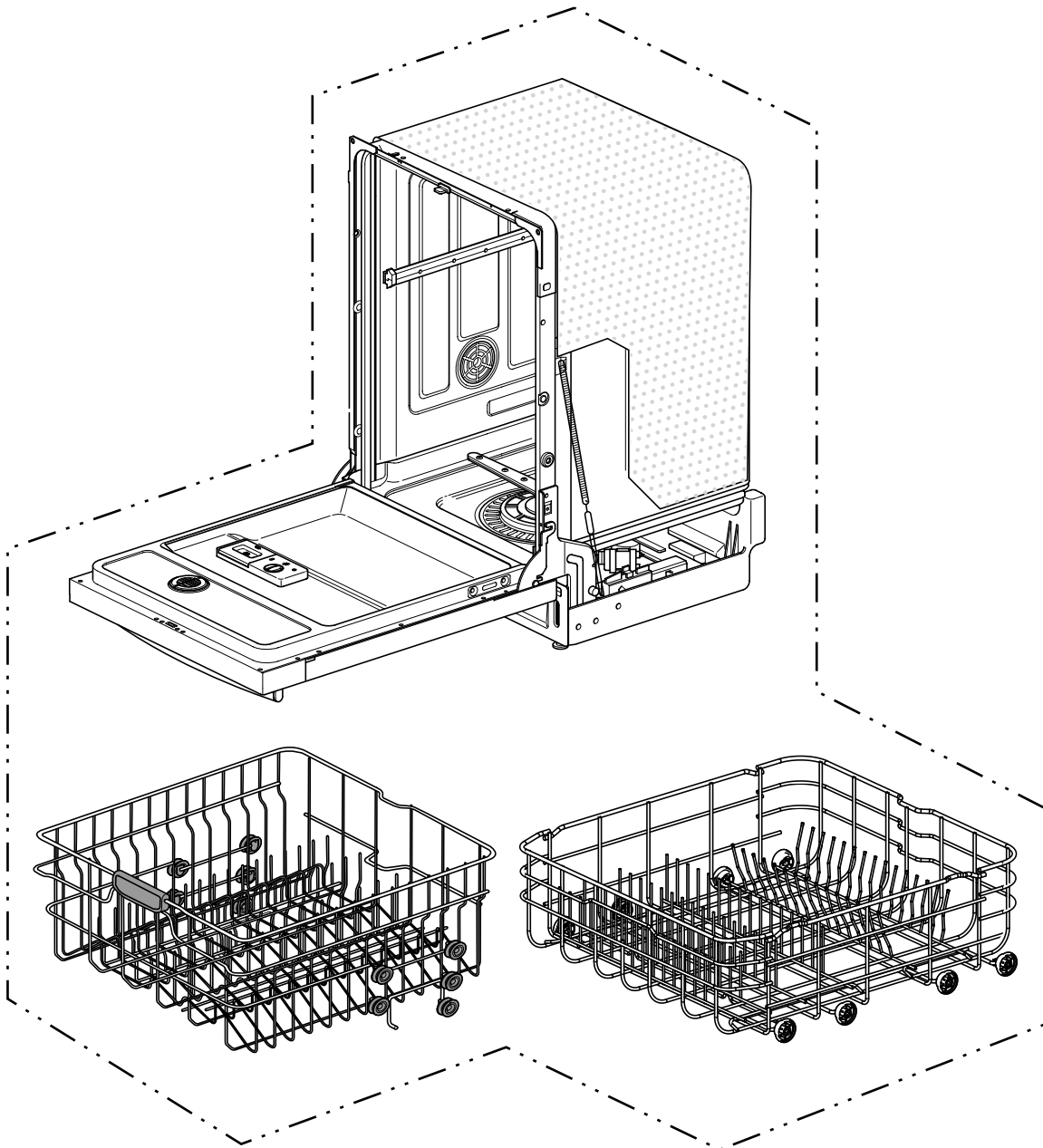
1. Before beginning, turn off electrical power to the unit at the circuit breaker.
2. Remove the Junction Cover and then Install the Strain Relief.
3. Twist Wire Connectors tightly on the wires. Wrap each connection with Electrical tape.
4. Check again and make sure that all wires are connected correctly, black to black, white to white, green to green (ground to ground).
5. Replace the Junction Cover.



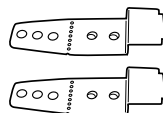
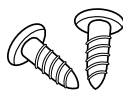
Step 9: FINAL CHECKS

1. Turn electrical power back on at the circuit breaker.
2. Turn house water supply back on.
3. Operate the dishwasher through one cycle (Quick cycle is recommended) to check for water leaks and operating conditions.
4. Replace the Lower Cover.

10. EXPLODED VIEW

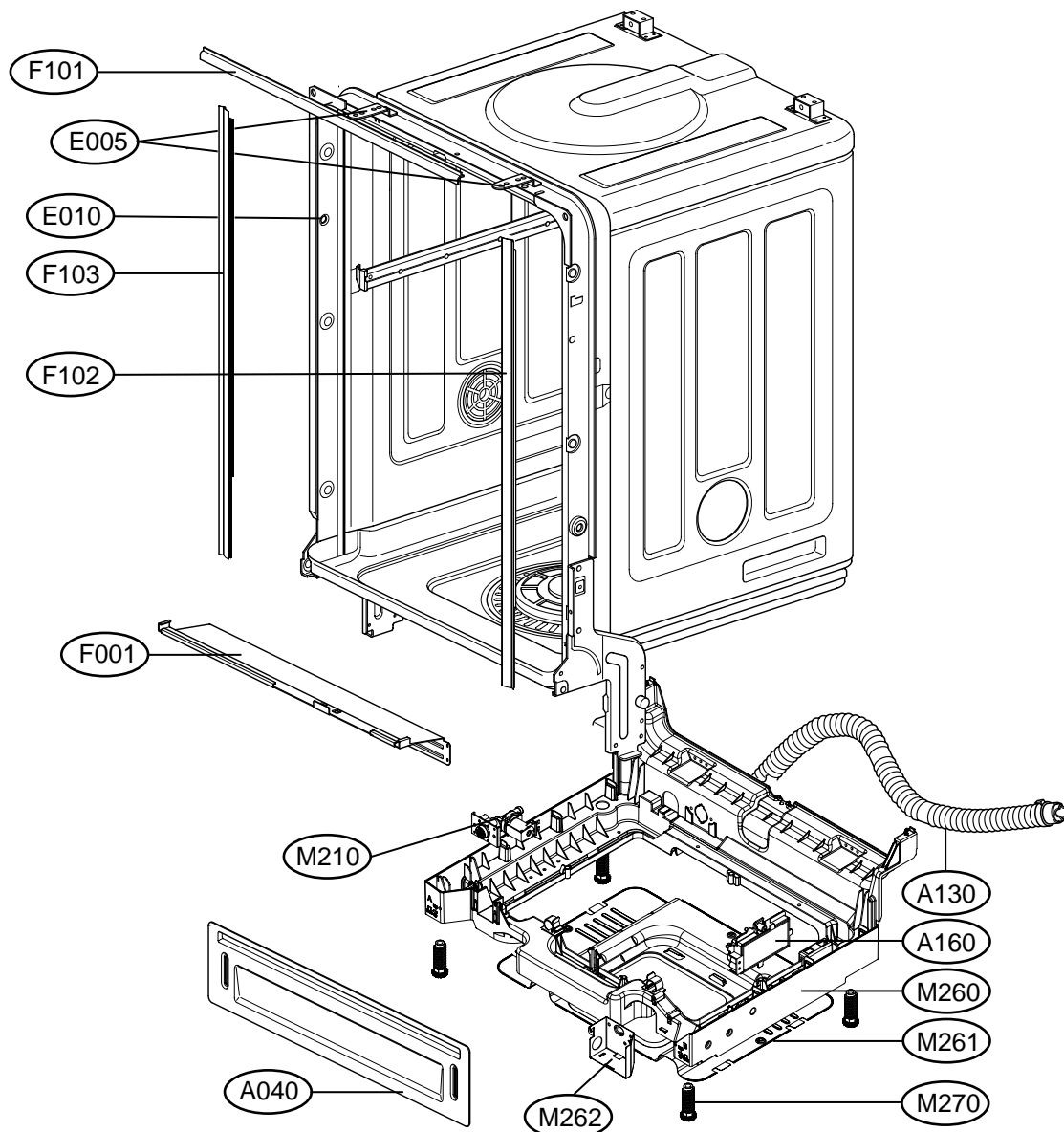


ACCESSORIES

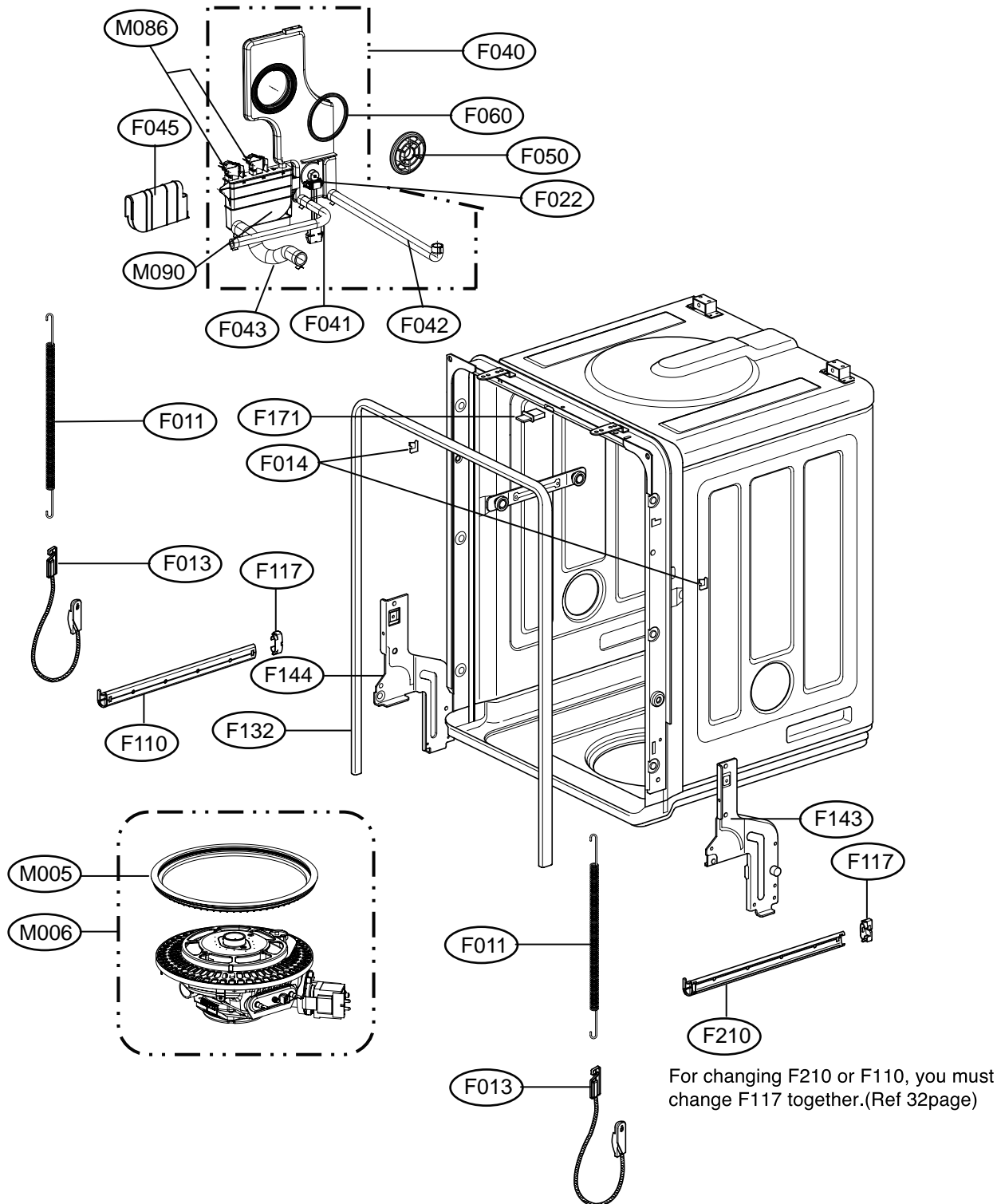


E005

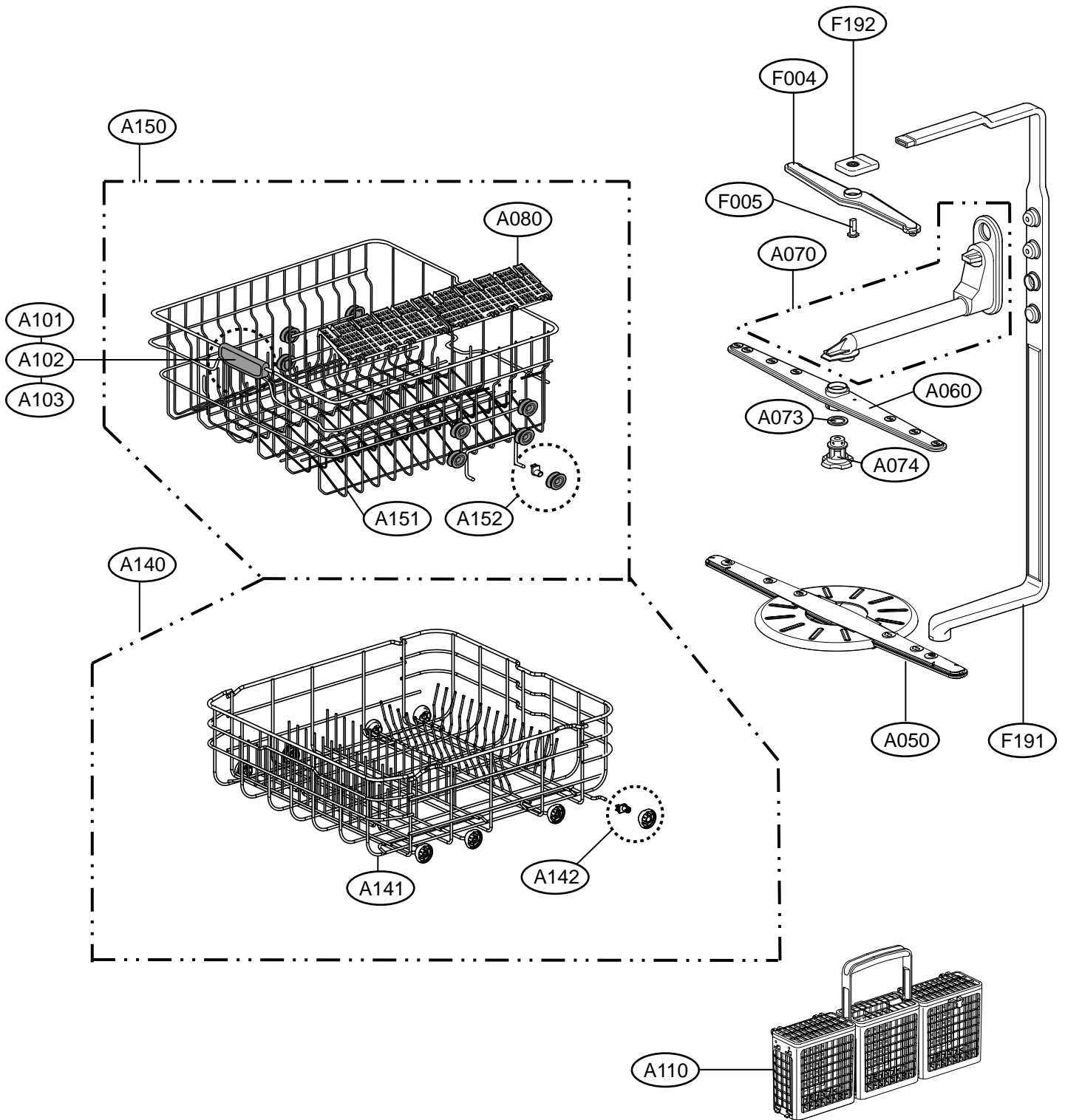
EXPLODED VIEW



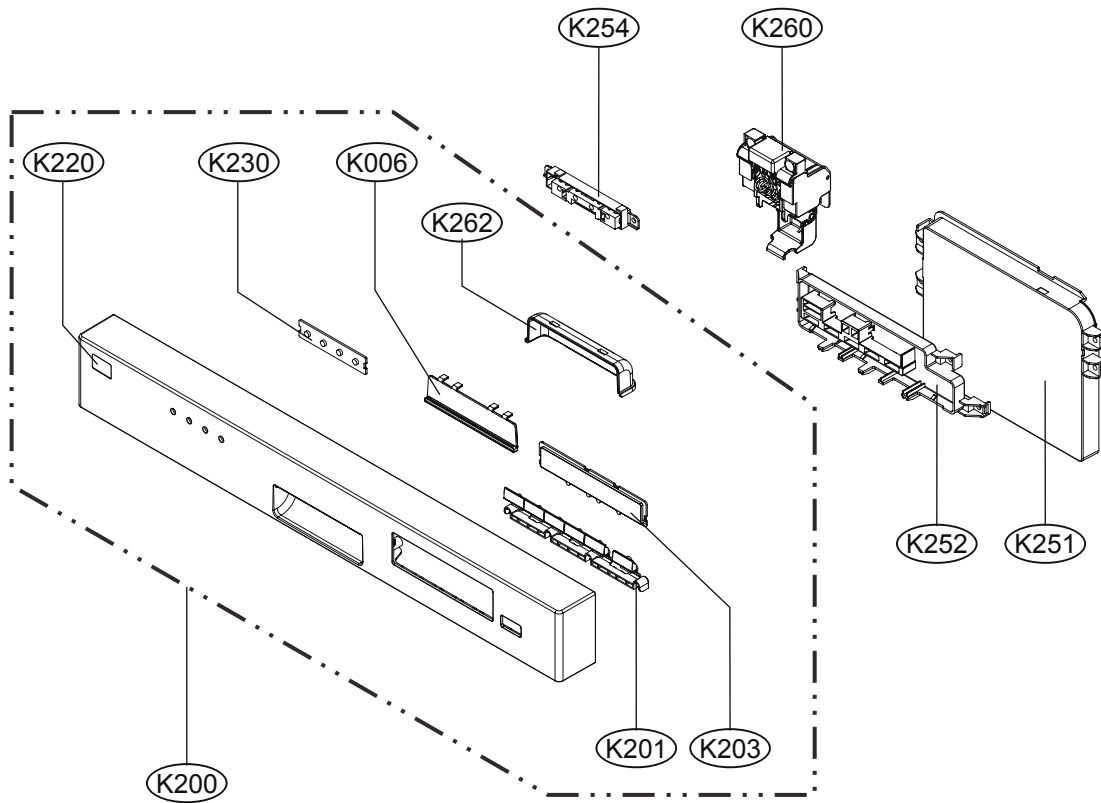
EXPLODED VIEW - TUB ASSEMBLY



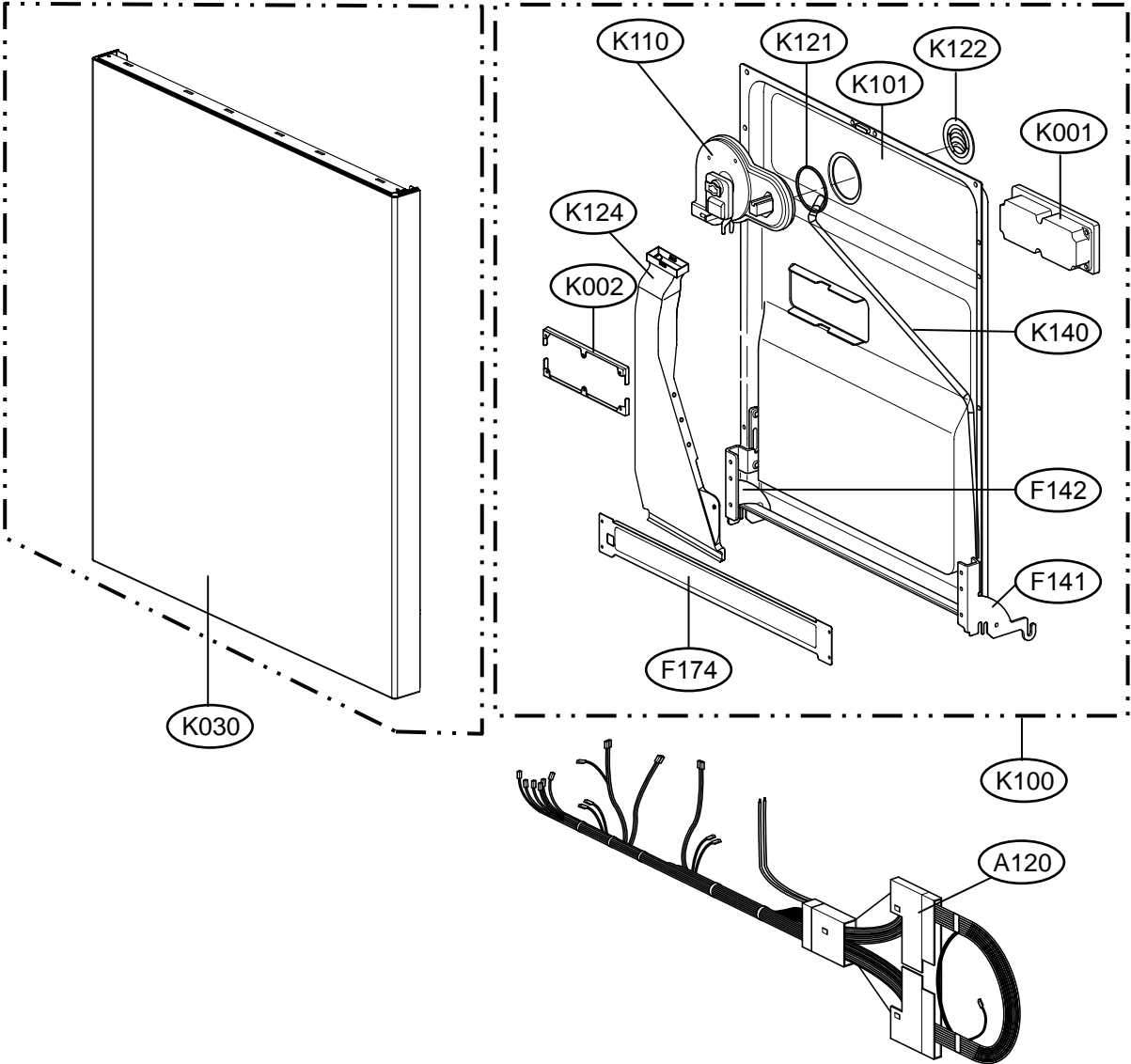
EXPLODED VIEW - RACK ASSEMBLY



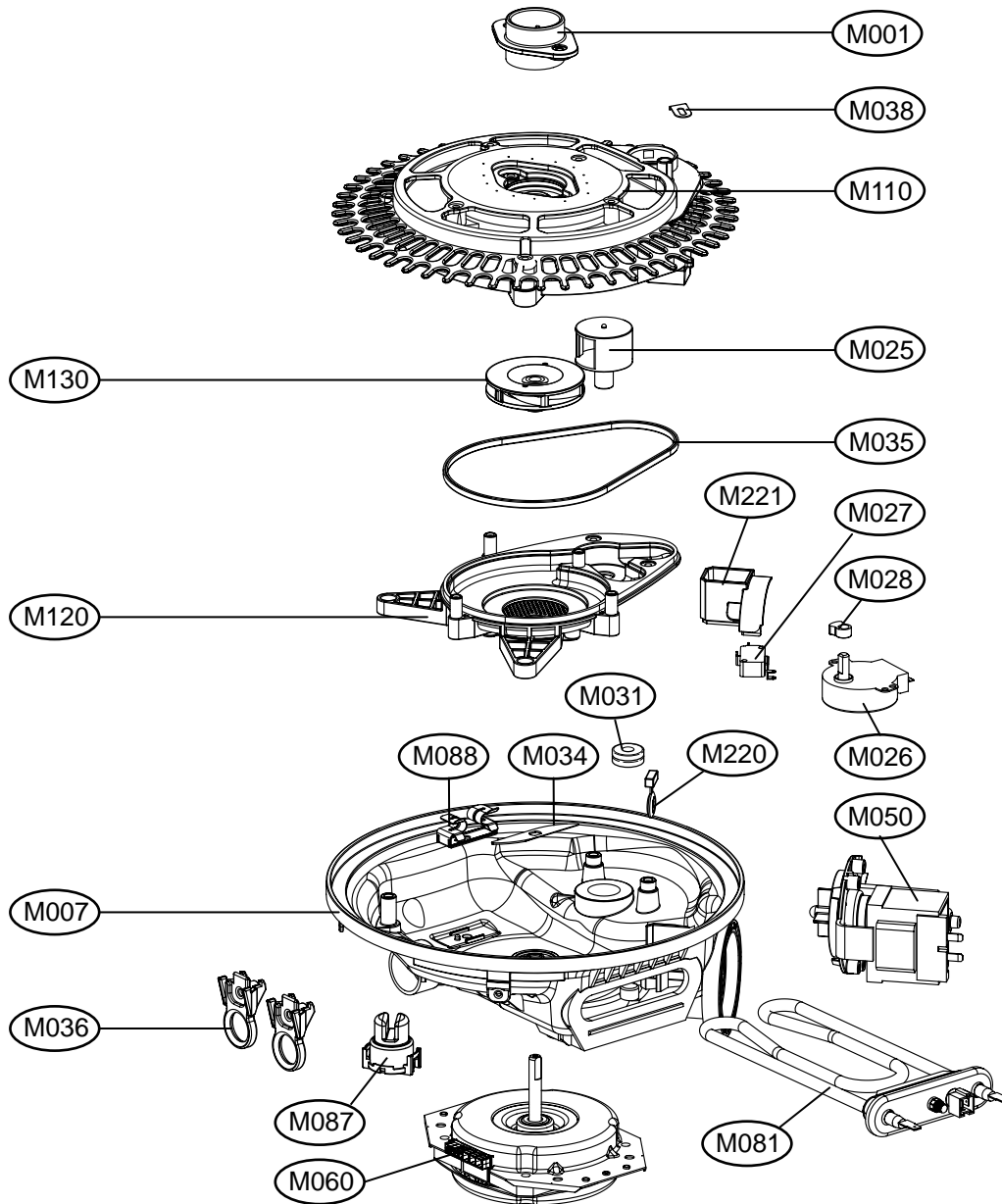
EXPLODED VIEW - PANEL ASSEMBLY



EXPLODED VIEW - DOOR ASSEMBLY



EXPLODED VIEW - SUMP ASSEMBLY



11. REPLACEMENT PART LIST

CAUTION : BEFORE REPLACING ANY OF THESE COMPONENTS.
READ CAREFULLY THE SAFETY PRECAUTIONS IN THIS MANUAL

■ **NOTE :** S(SAFETY PARTS), AL(ALTERNATIVE PARTS)

LG MODEL: D1607(WB,BB,TB)				Run_Date : 2008-04-20	
YOUR MODEL: LDS4821(WW,BB,ST)				SPECIFICATION: 120V 60Hz	
LOC	DESC	PART No.	COMMENTS	QTY	
*001	MANUAL ASSEMBLY,OWNERS	AFN31666748		1	
*002	BOX,CARTON	3890DZ3015A		1	
*003	MANUAL,SERVICE	MFL37554804		0	
E005	ACCESSORY ASSEMBLY	5001DD4001A		1	
				1	
				1	
A040	COVER ASSEMBLY,LOWER	WB	3551DD2001G		1
		BB	3551DD2001H		1
		ST	3551DD2001J		1
A050	NOZZLE ASSEMBLY	AGB32598301	LOWER NOZZLE	1	
A060	NOZZLE ASSEMBLY	5249DD1001A	UPPER NOZZLE	1	
A070	GUIDE ASSEMBLY	4975DD1002A	UPPER NOZZLE	1	
A073	WASHER,COMMON	1WZZDD3001A		1	
A074	SHAFT,NOZZLE	4370ED3007A		1	
A080	RACK	3750DD2001A	CUP SHELF	2	
A101	DECOR,HANDLE	3806DD3004A	STS	1	
A102	HANDLE	3650DD3001A	FRONT	1	
A103	HANDLE	3650DD3002A	REAR	1	
A110	BASKET ASSEMBLY,SPOON	5005DD1001A		1	
A120	HARNESS,MULTI	EAD35070402		1	
A130	HOSE ASSEMBLY,DRAIN	AEM30700301	INNER PHI 15, 21	1	
A140	RACK ASSEMBLY	AHB55759501	LOWER RACK	1	
A141	RACK	MGR47998601		1	
A142	ROLLER ASSEMBLY	4581DD3003B		8	
A150	RACK ASSEMBLY	AHB55759501	UPPER RACK	1	
A151	RACK	MGR47998501		1	
A152	ROLLER ASSEMBLY	4581DD3002A		10	
A160	FILTER ASSEMBLY	6201EC1006A		1	
A301	SCREW,TAPTITE	1SBF0402418		3	
E010	BUSH	4830ED4001A		2	
F001	FRAME, LOWER	3210ED1003A		1	
F004	NOZZLE ASSEMBLY	5249DD2001A	TOP NOZZLE	1	
F005	SHAFT,NOZZLE	4370ED3006A	TOP NOZZLE	1	
F011	SPRING,HINGE	4970ED4004D		2	
F013	CONNECTOR ASSEMBLY	4933DD3001A		2	
F014	BRACKET,HINGE	4810ED4004A		2	
F022	SENSOR ASSEMBLY	6501DD2001A		1	
F040	GUIDE ASSEMBLY	4975DD1001A		1	
F041	HOSE,INLET	5214DD3001A		1	
F042	HOSE,CONNECTOR	5214DD3003A		1	
F043	HOSE,CONNECTOR	5214DD3002A		1	
F045	COVER,PROTECT	3550DD2001A		1	
F050	NUT,COMMON	4020FD3641C		1	
F060	GASKET	4986DD3001A		1	

LOC	DESC	PART No.	COMMENTS	Q'ty
F101	PACKING	3920DD3002A	TOP	1
F102	PACKING	MFZ42591601	SIDE RIGHT	1
F103	PACKING	MFZ42591701	SIDE LEFT	1
F110	RAIL ASSEMBLY	5219DD2002A		1
F117	STOPPER,ROLLER	4620ED3001A		2
F132	PACKING	3920DD3005A	TUB PACKING	1
F141	HINGE ASSEMBLY	4775DD2002A	DOOR RIGHT	1
F142	HINGE ASSEMBLY	4775DD2001A	DOOR LEFT	1
F143	HINGE ASSEMBLY	4775ED3004A	TUB RIGHT	1
F144	HINGE ASSEMBLY	4775ED3003A	TUB LEFT	1
F171	LOCKER,LOCK	4026DD3001A		1
F174	BRACKET,HINGE	4810DD1001A	DOOR FRAME	1
F191	GUIDE,WATER	MEA36937101		1
F192	GUIDE,NOZZLE	4974DD3001A		1
F210	RAIL ASSEMBLY	5219DD2001A		1
K001	DISPENSER	4924FD2123E		1
K002	BRACKET ASSEMBLY	4810FD3805A	FIX DISPENSER TO DOOR LINER	2
K006	DECOR,HANDLE	WB	MCR42565801	1
		BB	MCR42565802	1
		ST	MCR42565802	1
K030	COVER ASSEMBLY,FRONT	WB	ACQ36969701	1
		BB	ACQ36969702	1
		ST	ACQ36969703	1
K100	DOOR LINER ASSEMBLY	4937DD1001D	DOORLINER+CASING+VENT+DISPENSER	1
K101	PARTS ASSEMBLY	AGM34891602	DOORLINER+DAMPING SHEET+GASKET	1
K110	CASING ASSEMBLY	ABT35083801	BLOWER	1
K121	GASKET	4986DD3003A	BLOWER GASKET	1
K122	COVER,BLOWER	3550ED3011A		1
K124	VENT	MJZ39902101		1
K140	HOSE	5214ER4001S	HOSE, NEW BLOWER	1
K141	CLAMP	4861FR3068M	HOSE ~ BLOWER	1
K200	PANEL ASSEMBLY,CONTROL	WB	AGL36868101	1
		BB	AGL36868102	1
		ST	AGL36868103	1
K209	BUTTON,CONTROL	WB	MBG42564701	CONTROL BUTTON
		BB	MBG42564702	1
		ST	MBG42564703	1
K203	WINDOW	MKC42565001	DISPLAY WINDOW	1
K230	WINDOW	MKC42606301	PROGRESS WINDOW	1
K251	PCB ASSEMBLY,MAIN	EBR33469402		1
K252	PCB ASSEMBLY,DISPLAY	EBR43245901		1
K254	PCB ASSEMBLY,DISPLAY	EBR33469702	PROGRESS DDISPLAY	1
K260	LOCKER ASSEMBLY	4027ED3002D		1
K262	HANDLE	WB	MEB42566001	1
		BB	MEB42566002	1
		ST	MEB42566003	1
K303	Screw,Customized	1SZZED3002A	LATCH ~ PANEL	8
K304	Screw,Customized	1SZZED3003A	DOORLINER ~ FRONT COVER	6
M001	HOLDER	4930DD3002A		1

LOC	DESC	PART No.	COMMENTS	Q'ty
M005	GASKET	MDS37912401	SUMP GASKET	1
M006	SUMP ASSEMBLY	AJH31248602		2
M007	SUMP	AJH32598001		1
M025	VALVE,CHECK	MJX32862501	VARIO	1
M026	MOTOR ASSEMBLY,AC,DRAIN	4681ED3001B	VARIO MOTOR	1
M027	SWITCH,MICRO	3W40025C	CHECK THE POSITION OF THE VARIO(CAM)	1
M028	CAM,SWITCH	MBJ32856401		1
M031	PACKING	3920ED4009B	VARIO PACKING	1
M034	BLADE	5832DD4001A		1
M035	PACKING	MFZ32863101		1
M036	HOLDER	4930DD3008A	SUMP ASM ~ TUB LOW	2
M038	HOLDER	4930DD3012A	WATER GUIDE ~ SUMP	1
M050	MOTOR ASSEMBLY,AC,PUMP	4681EA2002D	DRAIN MOTOR	1
M060	MOTOR ASSEMBLY,DC	4681ED1004A	WASHING MOTOR	1
M081	HEATER ASSEMBLY	5301DD1001A		1
M086	SWITCH,MICRO	3W40025P		1
M087	SENSOR ASSEMBLY	6501ED2002F	SOIL SENSOR	1
M088	COVER	3740ED3003A	HOLDER HEATER	1
M090	FLOAT ASSEMBLY	4769DD2001A		1
M110	FILTER ASSEMBLY,MESH	ADQ32598201		1
M120	CASE ASSEMBLY	ABQ32598101	PUMP CASE	1
M130	IMPELLER ASSEMBLY	5911ED3003A		1
M210	VALVE ASSEMBLY,INLET	5221DD1001A		0
M220	VALVE,CHECK	5220ED4004A	DRAIN	1
M221	COVER	MCK32863301	DRAIN COVER	1
M260	BASE,CABINET	MAM34326301		1
M261	COVER ASSEMBLY,BASE	ACQ31707201		1
M262	CASE	3110DD3002A	JUNCTION BOX	1
M270	LEG	4778DD3001A		4
M300	ACCESSORY ASSEMBLY	5001DD2001D	LEVELING KIT	1
M301	SCREW,CUSTOMIZED	4W51229F	BASE + HINGE SUPPORT	4
M302	SCREW,CUSTOMIZED	1SZZED3005A	SUMP FILTER	8
M303	SCREW,CUSTOMIZED	1SZZED3006A	IMPELLER	1
M304	SCREW,CUSTOMIZED	1SZZFA4305A	SUMP ~ DRAIN PUMP	3
M305	SCREW,CUSTOMIZED	4W51194D	SUMP ~ MOTOR	4



LG Electronics Inc.

P/No. : MFL37554804

Free Manuals Download Website

<http://myh66.com>

<http://usermanuals.us>

<http://www.somanuals.com>

<http://www.4manuals.cc>

<http://www.manual-lib.com>

<http://www.404manual.com>

<http://www.luxmanual.com>

<http://aubethermostatmanual.com>

Golf course search by state

<http://golfingnear.com>

Email search by domain

<http://emailbydomain.com>

Auto manuals search

<http://auto.somanuals.com>

TV manuals search

<http://tv.somanuals.com>