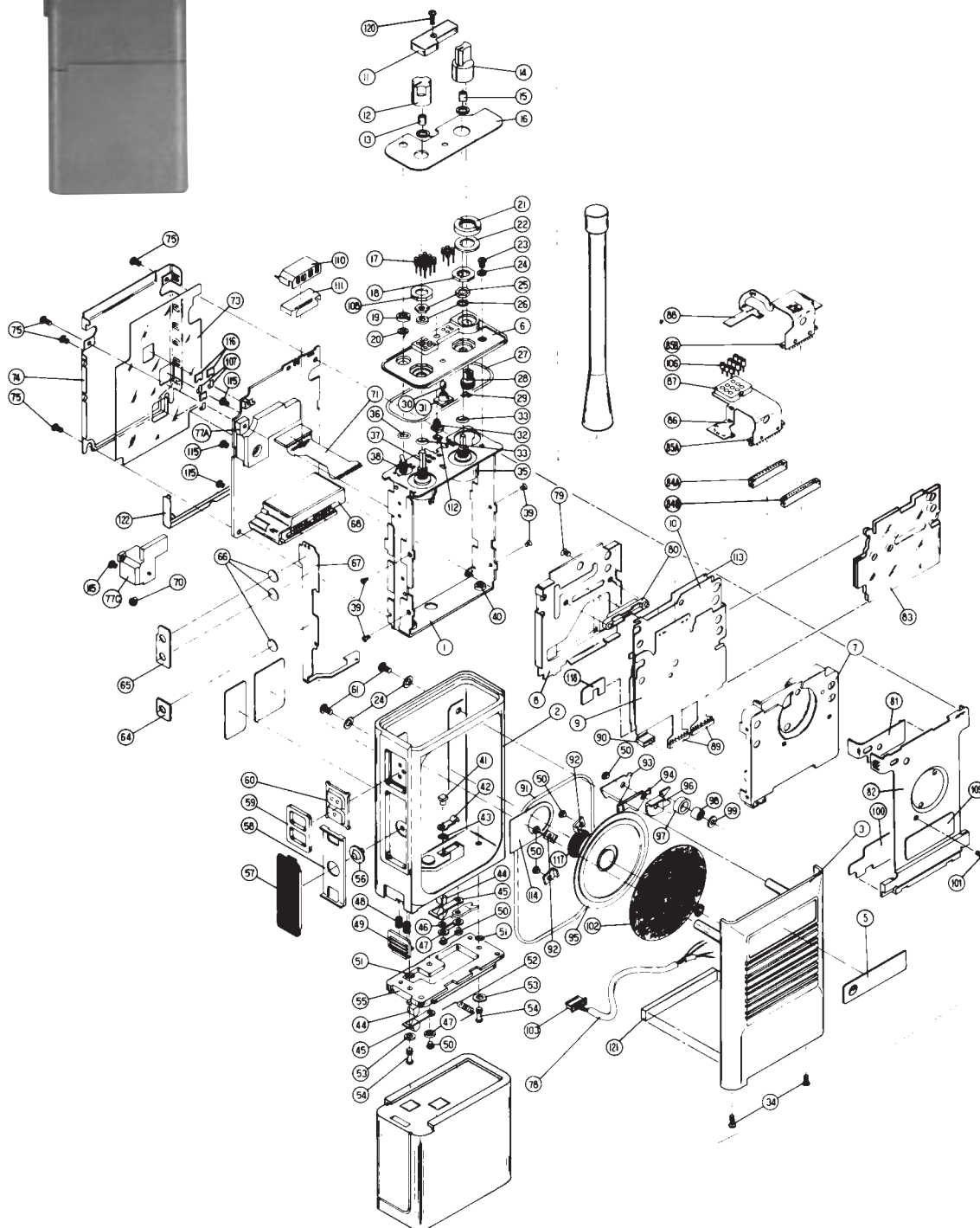


HT600 Series

Parts List



HT600 Series

Parts List

REF. NO.	PART NO.	DESCRIPTION	REF. NO.	PART NO.	DESCRIPTION	REF. NO.	PART NO.	DESCRIPTION
1	0105956M63	Assembly, Frame; includes: *Item 1 Frame *Item 40	34	0300132342	Screw, Phillips; 2-56 x 1/4"	84A	See Note	*Jack (J2), part of item 9
2	0105955N18	Assembly, Housing; includes: *Item 2 Housing *Items 56, 58, 59, and 60	35	4005148Q05	Switch, Frequency (S2)	84B	See Note	*Jack (J1), part of item 9
3	1505527P01	Cover, Front	36	3205141Q03	Gasket, "O" Ring	85A	See Note	*Jack (P2), part of item 86
5	3305543P01	Nameplate, Front	37	1805100Q04	Switch/Pot, On-Off/Volume (S1/R140)	85B	See Note	*Jack (P1), part of item 88
6	0105951N41	Assembly, Top Control Panel; includes: *Item 6 Panel *Items 17, 28, 29, and 32	38	4005101Q01	Switch, PL (S3)	86	---	Assembly, Volume Pot Flex; includes: *Item 86 Volume Pot Flex *Items 85A and 106
7	---	Carrier, Flex Top	39	0300140369	Screw, Flat Hd.; 2-56 x 1/8"	88	0105956M68	Assembly, Frequency Switch Flex; includes: *Item 88 Frequency Switch Flex *Item 85B
8	---	Shield, Bottom	40	See Note	*Insert, Frame; part of item 1	89A	See Note	*Jack (J3), part of item 9
9	---	Assembly, Controller Flex; includes: *Item 9 Controller Flex *Items 10, 80, 84, 89, and 90 (The Controller Flex Assembly also includes electrical parts. See Note)	41	4605945K05	Contact Stud, Battery	89B	See Note	*Jack (J4), part of item 9
10	See Note	*Shield, Center; part of item 9	42	3905127Q01	Contact, B+	90	See Note	*Jack (J5), part of item 9
11	0102706J99	Cover, Dust	43	3205082E24	Gasket, "O" Ring	91	3205141Q01	Gasket, "O" Ring
12	0105951N79	Assembly, Knob; includes: *Item 12 Knob *Item 13	44	0705830C02	Support, Contact	92	4205140Q01	Clamp, Speaker
13	4205123Q02	Clip, Push; part of item 12	45	3905421C13	Contact, Battery	93	1405135P01	Insulator, Microphone
14	0105950N92	Assembly, Knob; includes: *Item 14 Knob *Item 15	46	2905124Q01	Lug	94	See Note	*Flex, Microphone; part of item 98
15	See Note	*Clip, Push; part of item 14	47	0400002625	Lockwasher, Split #2	95	5005155Q03	Speaker (LS1)
16	1305676R01	Escutcheon (2-Freq. Radios)	48	4105944K01	Spring, Battery Latch	96	4205139Q01	Retainer, Microphone
	or		49	5505536P01	Latch	97	See Note	*Boot, Microphone; part of item 98
17	1305676R02	Escutcheon (6-Freq. Radios)	50	0300139444	Screw, Phillips Hd.; 2-56 x 5/32"	98	0105956M62	Assembly, Microphone; includes: *Item 98 Microphone *Items 78, 94, 97, 98, and 103
		*Pin, Contact (P7); (not field replaceable, order top control panel assembly 0105951N41)	51	3205082E03	Gasket, "O" Ring	99	---	Pad, Microphone Boot
18	0405218Q01	Washer	52	6505214E05	Fuse (F1)	101	0300138620	Screw, Flat Phillips Hd.; 2-56 x 7/16"
19	0205163Q01	Nut, Spanner	53	0400009761	Lockwasher, Split #4	102	3505143Q04	Felt, Speaker
20	0405162Q01	Washer, Flat	54	0305941K01	Screw	103	See Note	*Plug (P5), part of item 98
21	0205765L02	Nut, Spanner	55	6405531P02	Plate, Base	105	---	Not used
22	0405216L04	Washer, Flat	56	3805236Q01	*Actuator, PTT part of item 2	106	See Note	*Sockets (J7), part of item 86
23	0300136785	Screw, Phillips Hd., 4-40 x 3/16"	57	4505535P01	Lever, PTT	107	3905509R02	Contact, 3 req'd
24	0484345A06	Washer, Seal	58	4205534P01	*Retainer, PTT part of item 2	108	0405534R01	Washer, Flat
25	0205629L02	Nut, Hex; 2 req'd	59	6405186Q01	*Plate, Actuator Button; part of item 2	109	5402446J01	Label, Instruction
26	0405162Q02	Washer, Flat; 2 req'd	60	3805187Q01	*Button, Actuator; part of item 2	110	---	Shield, I-F
27	3205141Q02	Gasket, "O" Ring	61	0305137Q04	Screw, Phillips; 4-40 x 1/2"	111	1405496R01	Insulator, I-F Shield
28	See Note	*Bushing, Antenna; part of item 6	64	See Note	*Seal, Dome (PTT); part of item 67	112	3905130N01	Contact Strip
29	See Note	*Lug, Antenna; part of item 6	65	See Note	*Seal, Dome, (Mon); part of item 67	113	2605573S01	Shield
30	4805729G24	LED, Bicolor (CR413A/CR413B)	66	See Note	*Contact, Snap Dome; part of item 67	114	1405299Q01	Insulator, Speaker
31	3205131S01	Seal, LED	67	0105951N40	Assembly, B+ PTT Flex; includes: *Item 67 Flex *Items 64, 65, and 66	115	0300136771	Screw, Phillips; 2-56 x 3/16"
32	---	Stud, Insert; part of item 6	68	---	Housing, VCO	117	7505501R02	Pad, Speaker
33	3205082E01	Gasket, "O" Ring	70	---	Screw, Flat - not available	118	2605762R01	Shield, Controller Flex
			74	2605775R02	Shield, Main Back	120	0305103S01	Screw, Captive
			75	0300136783	Screw, Phillips Hd.; 2-56 x 5/16"	121	7505501R03	Pad, Front Cover
			76	---	Not used	122	2605123S01	Shield, Back
			77B	---	Not used			
			77C	2605578P02	Heatsink (Low Power Models)			
			78	See Note	*Tubing, Heat Shrink; part of item 98			
			79	0300138620	Screw, Phillips; 2-56 x 5/16"			
			80	See Note	*Header, part of item 9			
			81	1405753R01	Insulator, Front Shield			
			82	2605711R03	Shield Front			
			83	---	Insulator, Flex			

*111NOTE: Not field replaceable, order parent Assembly.

**Cancelled Product HT600:
Aftermarket support criteria has
been met for spare parts. Items
may no longer be available.**



HT600 Series

Portable Accessories

Chargers

Rapid/Regular Rate Desktop Chargers

A variety of chargers are available to fit the charging capabilities of your batteries. Choose rapid or regular rate, single unit chargers. The rapid chargers are equipped with red and green lights to indicate rapid charging or charge complete. All desktop units will accept any of the three battery sizes, with or without radio attached.



NTN4633C

NTN4636A Desktop, Regular Charge Rate, 220V, 50-60 Hz, (supplied with 2 prong plug)

NTN4633C Desktop, Rapid Charge Rate, 117V

NTN4634B Desktop, Rapid Charge Rate, 220V, 50-60 Hz, (supplied with 2 prong plug)

Compact Chargers

The compact charger provides a 16 hour charge rate. The charger's small size and weight make it ideal for users who occasionally charge their radio at home.

NTN4666B Compact, Regular Charge Rate, 117V

NTN4667A Compact, Regular Charge Rate, 220V, 50-60 Hz, (supplied with 2 prong plug)

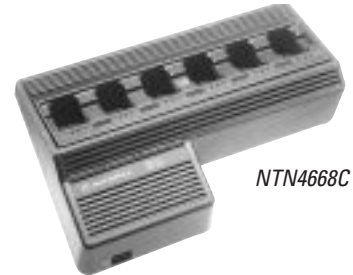


NTN4666B

Chargers

Multi-Unit Chargers

NTN4668C Multi-Unit Desktop, Rapid Rate, 117V AC, 50-60 Hz



NTN4668C



NLN7967A

NLN7967A Wall Mount for 6 Unit Charger

Vehicular Chargers

***NTN5438A** 12V DC, Vehicular Charger (16 hour charge rate) PAC-RT compatible

NKN6428A 12V Cable Kit. (Only required if not used with a PAC-RT/mobile system)

NTN5368A RF Adapter (Utilizes universal connector, incompatible with audio accessories)



NTN5368A

NKN6408A RF Cable Kit (Does not include antenna)



NKN6408A

**Not compatible with Kits NKN6149A, NKN6150A and NKN6151A.*

HT600 Series

Portable Accessories

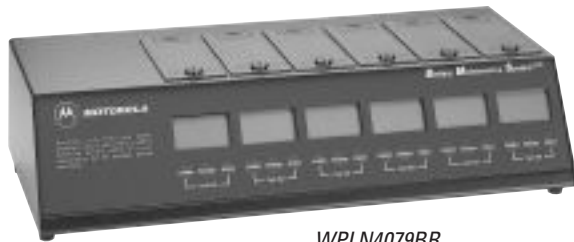
Battery Maintenance System^{plus} (BMS^{plus})

Using interchangeable battery adapters (sold separately), the BMS^{plus} is capable of charging and discharging, analyzing, conditioning and cycle test on batteries; tracking battery voltage and capacity (mAh).

The BMS^{plus} offers a 3 year warranty. Its easy-to-use design supports hundreds of 2-way, cellular, and camcorder batteries with printer port* (Serial-RS-232C port – uses female 9-pin to male 25-pin cable).

WPLN4079BR Six-Station, 110V AC, 50/60 Hz

WPLN4080BR Six-Station, 230V AC, 50/60 Hz



WPLN4079BR

BMS^{plus} Adapter

TDN9441A Standard Adapter, HT600

Battery Optimizing System II (BOS II)



WPLN4124AR

No other battery analyzer matches the speed, accuracy, and versatility of the Battery Optimizing System II. Ideal for large fleet, public safety, and all other users who rely on their battery performance. Now with increased power, more sophisticated programming options, and easier to use navigation paths, optimizing your batteries was never easier. Key features include:

- Support for NiCd, NiMH, Li-ion, and SLA batteries
- 100 watt power supply and programmable from 100 mA to 4 amps per station
- Interchangeable adapters accommodate all major brands
- Includes a variety of user programs and allows for customizable programming
- Proprietary recondition cycle restores NiCd and NiMH batteries
- Increased processing power and testing resolution – including a three minute Quicktest that measures the batteries State of Health (SoH)
- Printer output for reports and labels
- Three year warranty

WPLN4124AR BOS II, Four-Station, 100-240V AC (US line cord)

WPLN4125AR BOS II, Four-Station, 100-240V AC (UK/Euro line cords)

BOS II Adapter

RL-71173 Standard Adapter, HT600

*Compatible with the STAR Micronics SP200 series printers, available from any STAR Micronics distributor, and other printers with STAR emulation.



HT600 Series

Portable Accessories

Motorola Conditioning Charger (MCC)

The MCC will help extend battery life and enhance battery operation. It will safely condition and charge your specified Nickel Cadmium (NiCd) and Nickel Metal Hydride (NiMH) batteries in approximately an hour.



WPPN4009AR

WPPN4009BR 110V AC
Base Charge Unit with
Adapter Plate

3080384G15 Cigarette Lighter Adapter Cord

RLN4814A Mounting Bracket for Motorola
Conditioning Chargers

MCC Multi-Unit Conditioning Chargers

WPPN4074BR Four-station, 110V with permanent adapter plates

WPPN4075BR Four-station, 220V with permanent adapter plates

Carrying Accessories

Carrying Cases

A variety of carrying accessories are available for your comfort and convenience. The carrying cases are made of top quality leather and are available in sizes designed to fit your radio and battery. Cases are available with standard belt loop or swivel back covers, with a restraining T-strap.



NTN5460B

Standard

NTN5460B Leather Carry Case with
T-Strap and Spacer, for High or Medium
Capacity Battery (Snap)

Swivel

NTN5461B Leather Carry Case with T-Strap, Spacer and
2-1/2" Belt Loop, for High or Medium Capacity Battery (Snap)

NTN5883A Leather Carry Case with T-strap, Spacer, and Belt Loop,
for High or Medium Capacity Battery (Snap), fits 3" Belt

NTN5450B Leather DTMF Swivel Carry Case, Long (Snap),
fits 2-1/4" Belt

NTN5884A Leather DTMF Carry Case, Long (Snap), fits 3" Belt

HT600 Series

Portable Accessories

Carrying Accessories

Belt Loops

4282421J06 Swivel Belt Loop, 2-1/2"

4205857B01 Swivel Belt Loop, 2"



4282421J06



NTN4813B

Belt Clip

NTN4813B Belt Clip, 1-1/2"

NTN5389B Belt Clip, 2-1/4"

NTN5602A Public Safety Full 3" Clip, Black Aluminum



NTN4814C

Belt Clip Carry Holder

NTN4814C Belt Clip Carry Holder, fits 2-1/4" Belt

NTN5827A Belt Clip Carry Holder, fits 3" Belt

Portable Radio Hanger

The portable radio hanger slides over and hangs from the door panel in a vehicle. The radio's belt clip slides onto the portable hanger allowing convenient, easy mounting. Two sizes are available to fit door panels.

TDN9327A Portable Radio Hanger, for Door Panels up to 2-3/4"

TDN9373A Portable Radio Hanger, for Door Panels 2-3/4" to 3-1/4"



TDN9327A

Carrying Accessories



NTN5243A

Carrying Strap

NTN5243A Carrying Strap, Black

Belt

4200865599 1-3/4" Wide Leather Belt, for all models



4200865599



4205386S01

T-Straps

4205386S03 T-strap, Nylon for Leather Carrying Cases (Snap)

4205386S01 T-Strap, Nylon for Leather Carrying Cases (Velcro)

4205447R03 T-Strap, Urethane, for Carry Holder (Snap)



4205447R03

Spacer

Enables light capacity battery to fit in a small case and medium capacity battery to fit in a medium case. Spacer is included in every carry case.

4305525R02 Spacer (spare)

Button Back Cover

NTN5497A T-Bar Button Back Cover Kit, Black (order swivel belt loop separately)



NTN5497A

HT600 Series

Portable Accessories

Carrying Accessories

Universal Carry Accessories

HLN6602A Universal Chest Pack with Radio Holder, Pen Holder and Velcro Secured Pocket



HLN6602A

1505596Z02 Replacement Strap for HLN6602

RLN4815A Universal RadioPAK™ with Radio Holder. Worn around waist with adjustable belt.

Includes attached 6" by 8" zippered pouch for other job necessities

RLN4570A Break-A-Way Chest Pack; all of the same features as the original chest pack (HLN6602A) plus break-a-way tabs that allow that allow the entire pack to be pulled off with approximately 10 lbs of pressure.

4280384F89 Universal RadioPAK™ belt lengthener; fits waists larger than 40"

Audio Accessories



NMN6156B

Remote Speaker Microphone

This speaker microphone provides remote talk and listen capability. By attaching the microphone to the universal connector, you can use the remote speaker microphone to transmit or receive while the radio remains comfortably on the belt in the case.

NMN6145B Remote Speaker Microphone with Clip, Coil Cord and 2.5 mm Earphone Jack

NMN6156B Remote Speaker/ Microphone with Clip and Coil Cord

NTN5493A UHF Public Safety Remote Speaker Microphone with Clip Back and Straight Cord (Order required antenna separately)

Audio Accessories

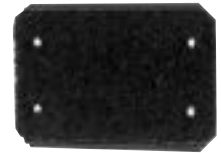
NTN5050A UHF Public Safety Speaker Microphone with velcro back and straight cord (order antenna and velcro patch separately)

Antennas for Public Safety Microphones

8505309N09400-440 MHz

8505309N10440-470 MHz

8505309N11470-512 MHz



NLN8410A

NLN8410A Velcro pin attachment

Ear Piece

5083693B01 Earphone and volume control (requires NTN4812B)

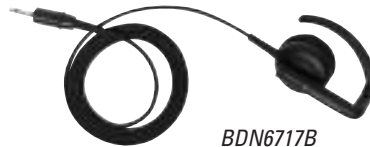
5083693B04 Earpiece and Volume Control (2.5 mm)

5880378B84 2.5 to 3.5 Jack Adapter

5880380B35 3.5 to 2.5 Jack Adapter

NTN4812B Earphone Jack Adapter

Flexible Ear Receiver



BDN6717B

BDN6717B Ear receiver with 3.5 mm plug rests on the outside of the ear, to be used with adapter NTN4812

Surveillance

ZMN6031A Three wire surveillance accessory with microphone and push-to-talk separate. Factory Mutual Approved. Requires NTN5075B

ZMN6032A Two wire surveillance accessory with microphone and push-to-talk combined. Factory Mutual Approved. Requires NTN5075B



ZMN6031A

NTN5075B Hirose Adapter for Two- and Three-Wire Surveillance Accessories.

HT600 Series

Portable Accessories

Audio Accessories



RLN4294A

Epaulet Strap

Black leather epaulet straps secure remote speaker microphones to epaulet of shirts or jackets and attach around cord. Allows reliable communications in hostile environments with Velcro or clip style strap.

RLN4294A Epaulet Strap, Velcro



RLN4295A

RLN4295A Epaulet Strap, Small Clip

Ear Mics

Single unit microphone and speaker worn in the ear. Eliminates the need for handheld microphones or conventional headsets. Compact, rugged design allows use under hearing protectors and protective clothing. Order cable separately.

RMN4001B Ear Mike, EM200



RMN4001B

0180359A39 Interface Cable for HT600

0180359A51 Optional PTT Ring Switch for RMN4001A only

0180356B97 Optional PTT Ring Switch for RMN4001B Only



0180359A51

Audio Accessories

Ear Microphone System

This compact unit picks up the voice through bone vibrations in the ear canal. Ideal for use in high noise environments. Available in PTT or Voice activated (VOX) capabilities for total hands free communications. Order Interface Module separately.



BDN6677A

***BDN6677A** Ear Microphone for Standard Noise Levels (up to 95 dB), Black

***BDN6678A** Ear Microphone for Standard Noise Levels (up to 95 dB), Beige

***BDN6641A** Ear Microphone for High Noise Levels (up to 105 dB), Grey



BDN6657B

(shown with BDN6677A)

Interface Modules

***BDN6656B** Push-To-Talk Interface Module

***BDN6657B** Voice-Activated Interface Module

Optional Accessories

0180300E25 Earguard with Adjustable Loop

***0180358B38** Remote Push-To-Talk Ring Switch



0180358B38

0180358B32 Earholder, Black, Size Small; Secures microphone in ear



0180358B33

0180358B33 Earholder, Black, Size Medium; Secures microphone in ear

0180358B34 Earholder, Black, Size Large; Secures microphone in ear

0180358B35 Earholder, Clear, Size Small; Secures microphone in ear

0180358B36 Earholder, Clear, Size Medium, Secures microphone in ear

0180358B37 Earholder, Clear, Size Large; Secures microphone in ear

4280369E44 Replaceable Belt Clip with Screws

5080358B28 Eartips, Black, Size Medium (10 per pack)

5080358B29 Eartips, Black, Size Large (10 per pack)

5080358B30 Eartips, Beige, Size Medium (10 per pack)

5080358B31 Eartips, Beige, Size Large (10 per pack)

* *Intrinsically safe*

HT600 Series

Portable Accessories

Audio Accessories

Headsets

High noise level headset (up to 125 dB) with noise cancelling microphone and push-to-talk switch located on ear cup. Vox module contained within headset on voice activated units. Factory Mutual Approved. NOTE: Can be worn with or without hard hat or fire helmet.



BDN6645A

BDN6639A Radio Adapter Cable for BDN6635, BDN6636 and BDN6645

BDN6645A Push-To-Talk Headset with Boom Microphone, Requires Adapter Cable.

BDN6635B Voice-Activated Headset with Boom Microphone, Requires Adapter Cable, Includes 110V Charger

BDN6636B Voice-Activated Headset with Throat Microphone, Requires Adapter Cable, Includes 110V Charger



BDN6636B

RMN4015A Lightweight Headset with Swivel Boom Microphone, single speaker and in-line PTT

0180357B05 Spare Vox Headset Charger

6881126E79 Instruction Manual for BDN6645A

6881126E78 Instruction Manual for BDN6635B and BDN6636B

Audio Accessories

Vehicular Adapter Accessories

The Basic MVA console kits may be ordered separately. These items allow use of the portable radio in a mobile application. Order antenna separately.



NSN6054A

NSN6054A 12-watt External Speaker

HMN1035C Microphone, Heavy-Duty Palm

HMN1056D Microphone, Compact Palm

HMN3013A Microphone, DTMF



HMN1056D

HT600 Series

Antennas, Batteries

Portable Antennas

Heliflex Antenna

Motorola Heliflex antennas are specifically engineered for maximum output and greatest communication coverage.

8505816K01

Heliflex Molded, 136-150.8 MHz, 6.5"

8505816K21

Heliflex Molded, 150.8-162 MHz, 6"

8505816K23

Heliflex Molded, 162-174 MHz, 6"

8505816K24

Heliflex Molded, 403-433 MHz, 3"

8505816K25

Heliflex Molded, 440-470 MHz, 3"

8505816K26

Heliflex Molded, 470-512 MHz, 3"



Flexible Whip

Flexible Whip antennas have a one-piece finish and steel core for optimal radiation characteristics. Provides more comfort when radio is worn on the belt.

8505247K06

Flexible Whip, 403-512 MHz, 5.5"

Portable Batteries

Nickel-Cadmium Premium

Part Number: **NTN4564B**
 Volts: 10
 Avg. mAh: 550
 Height: 2-7/16"
 Intrinsically Safe: Yes



NTN4564B

Part Number: **NTN4584BR**
 Volts: 10
 Avg. mAh: 630
 Height: 2-7/16"
 Intrinsically Safe: No

Part Number: **NTN5414BR**
 Volts: 10
 Avg. mAh: 1100
 Height: 3-5/16"
 Intrinsically Safe: No



NTN5414BR

Part Number: **NTN5415B**
 Volts: 10
 Avg. mAh: 1000
 Height: 3-5/16"
 Intrinsically Safe: Yes

Nickel Metal Hydride Premium

Part Number: **NTN7016A**
 Volts: 10
 Avg. mAh: 950
 Height: 2-7/16"
 Intrinsically Safe: No



NTN7016A

HT600 Series

Service Tools, Aids

Alignment Tool

6605106N01 Tuning Tool, Adjusts Tunable Coils, Preselector, Reference Oscillator Frequency and Trimmer Capacitors



6605106N01

Service Tools



RSX4043A

RSX4043A Torque Screwdriver, Order Bits Separately

6680321B86 #0 Phillips Bit for Radio Screws

6680321B79 #1 Phillips Power Bit for Radio Screws

6680370B95 Spanner Tool Bit for Toggle Switch Nut

6680371B34 Spanner Bit for Antenna Bushing

6680371B03 Nut Driver Bit for Volume Control and Frequency Select Switch

6680371B34

6680321B86

Service Aids

Battery Eliminator

The Battery Eliminator acts like a battery with a cable to access a DC external power supply. It is ideal to inspect transmitters and receivers on incoming radios. Reverse supply polarity protection and input fuse protection are provided.

RTL4226B Battery Eliminator



RTL4226B

Service Aids

Battery Adapter

Replaces radio housing during servicing and provides easy mounting for battery eliminator, RTL4226B.

1580368B62 Battery Adapter



1580368B62

Cloning Cable

Enables the frequencies, squelch codes, squelch and deviation settings to be duplicated from one radio to another. Only identical models and sub-models are compatible for cloning.



NKN6376A

NKN6376A
Cloning Cable

Antenna Adapters

NTN5368A Adapter for HT600

NKN6408A Cable Adapter for HT600



RTK4205C

Radio Test and Programming Cable

Used with Portable Radio Test Set, RTX4005, for transmitter, receiver alignment and performance checks. Also used in programming radio.

RTK4205C
Test and Programming Cable

HT600 Series

Service Aids, Manuals

Service Aids

Radio Interface Box

Links radio programming cable and computer interface together. Provides required voltage shift to enable communications between radio and computer. Requires computer interface cable, radio test and programming cable, and a 9 volt snap type battery (6082728J01), order separately.



RLN4008E

RLN4008E Radio Interface Box

Computer Interface Cable

Used to connect computer's serial adapter to radio interface box.

3080369B71 Cable, RIB to 25 pin D

3080369B72 Cable, RIB to 9 pin D



3080369B71



REN4000A

Controller Flex Extender

Allows access to all electrical points on the controller flex and the interior of the RF board for troubleshooting purposes.

REN4000A
Controller Flex Extender

Wall Mounted Power Supply

Used to supply power to the radio interface box, RLN4008E

0180357A57 Wall Mounted Power Supply, 110 Volts

0180358A56 Wall Mounted Power Supply, 220 Volts



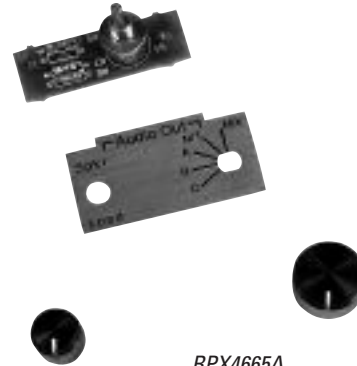
0180357A57

Service Aids

Field Modification Kit

Allows for quick field modification of RTX4005 "A" test sets to provide operation with the HT600 Radio.

RPX4665A Field Modification, RTX4005A



RPX4665A

Programming Aid

Enables programming of the DTMF pad from outside of HT600 DTMF optioned radios.

0180358A59 Programming Aid

Programming Software

Utilizing your personal computer, this software enables you to add or reprogram frequencies as your requirements change. Compatible with IBM, XT, AT, Model 30 50, 60 and 80. Requires Radio Interface Box and proper cables, order separately.

RVN4005H Programming Software, 3-1/2" diskettes (includes manual and software box)

Manuals

6881065C75 Service Manual

0180305J46 Ear Microphone System and Temple Transducer CD-ROM

Free Manuals Download Website

<http://myh66.com>

<http://usermanuals.us>

<http://www.somanuals.com>

<http://www.4manuals.cc>

<http://www.manual-lib.com>

<http://www.404manual.com>

<http://www.luxmanual.com>

<http://aubethermostatmanual.com>

Golf course search by state

<http://golfingnear.com>

Email search by domain

<http://emailbydomain.com>

Auto manuals search

<http://auto.somanuals.com>

TV manuals search

<http://tv.somanuals.com>