

# ET-PKD55S

## Ceiling Mount Bracket for high ceilings

### Description

This ceiling mount bracket is to be used when mounting Panasonic projectors.

### Specifications

Vertical correction angle:	+5°, -17°
Horizontal slant correction angle:	±2.5°
Horizontal turn correction angle:	±1.2°
Dimensions (W x H x D):	367 x 104 x 407.5 mm (14-7/16" x 4-1/8" x 16-1/32")
Weight:	5.9 kg (13.0 lbs)

Weights and dimensions shown are approximate. Specifications subject to change without notice.

### Parts

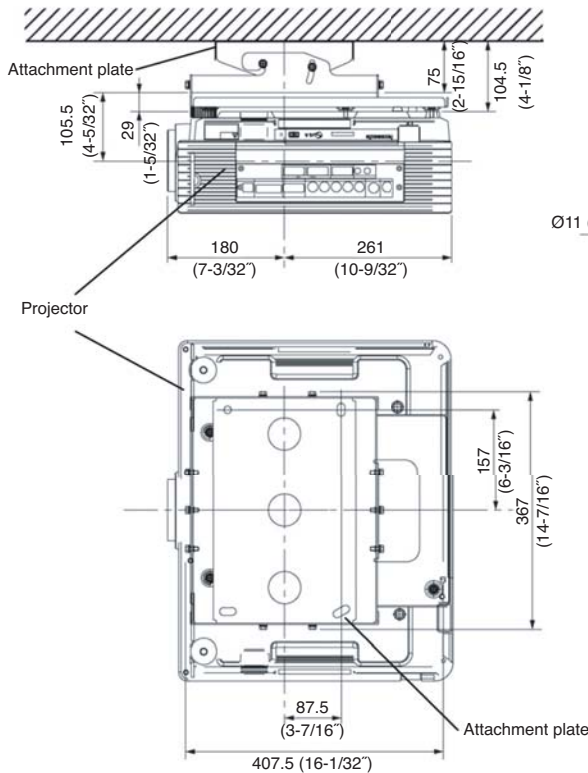
Attachment plate . . . . .	1	Washer-fitted screws (M6 x 12) . . . . .	30
Angle adjustment . . . . .	1	Hanging bolts (M10 x 600) . . . . .	4
Projector mount bracket . . . . .	1	Spring washer (M10) . . . . .	8
Safety fitting . . . . .	2	Flat washer (M10) . . . . .	16
Washer-fitted screws (M4 x 8) . . . . .	4	Hexagonal nuts (M10) . . . . .	16

### Caution:

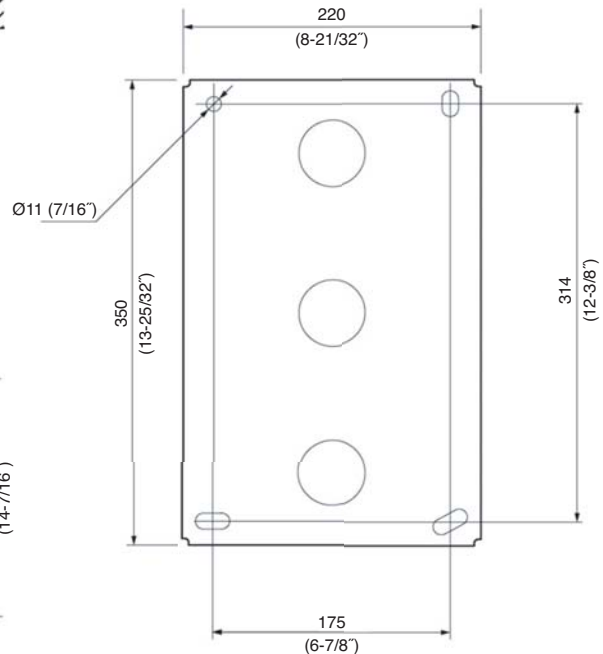
Mounting should be done by a qualified technician. Make sure that the mounting (ceiling) area has sufficient strength. Read the enclosed mounting instructions thoroughly before starting.

### Dimensions

The assembled ET-PKD55S with a projector mounted



Attachment Plate



Note: This illustration is not drawn to scale.

unit: mm (inch)  
(Dimensions given in inches are approximate.)

## Free Manuals Download Website

<http://myh66.com>

<http://usermanuals.us>

<http://www.somanuals.com>

<http://www.4manuals.cc>

<http://www.manual-lib.com>

<http://www.404manual.com>

<http://www.luxmanual.com>

<http://aubethermostatmanual.com>

Golf course search by state

<http://golfingnear.com>

Email search by domain

<http://emailbydomain.com>

Auto manuals search

<http://auto.somanuals.com>

TV manuals search

<http://tv.somanuals.com>