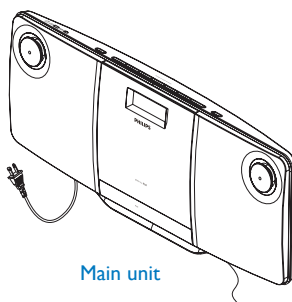
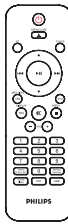

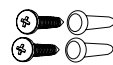

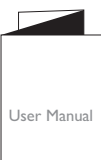

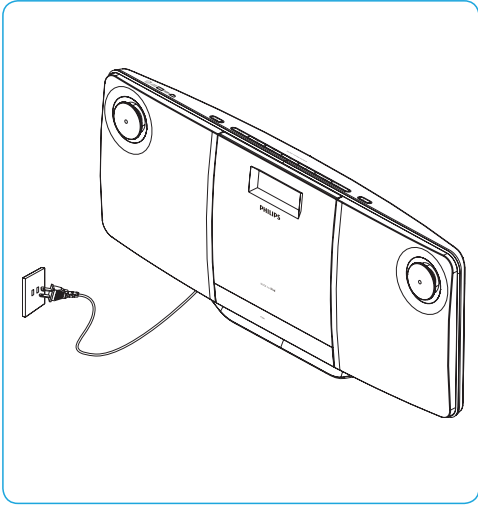


Quick Start Guide

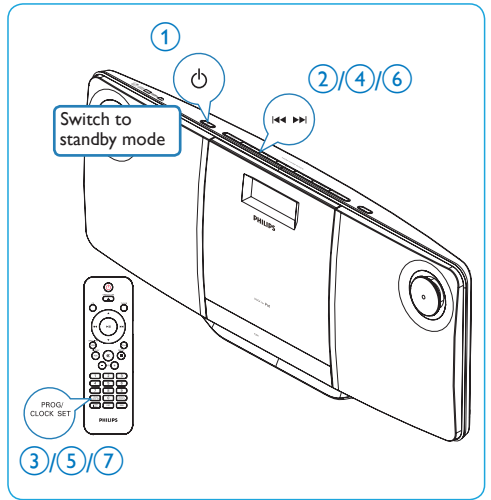


			
Main unit	Remote Control	1 x MP3 link cable	Mounting kit
			
Wall mounting instructions	User Manual	Quick Start Guide	

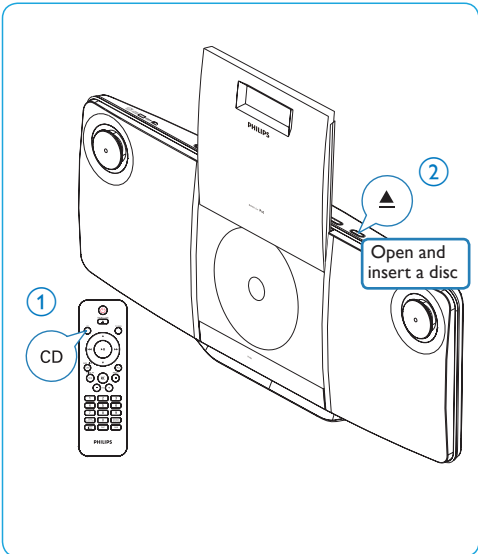
A Connect



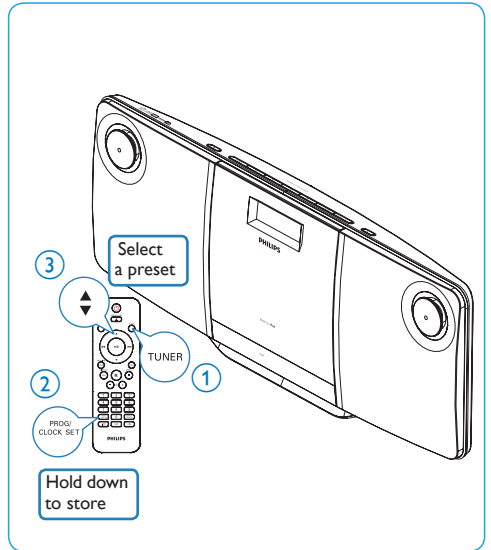
B Set clock



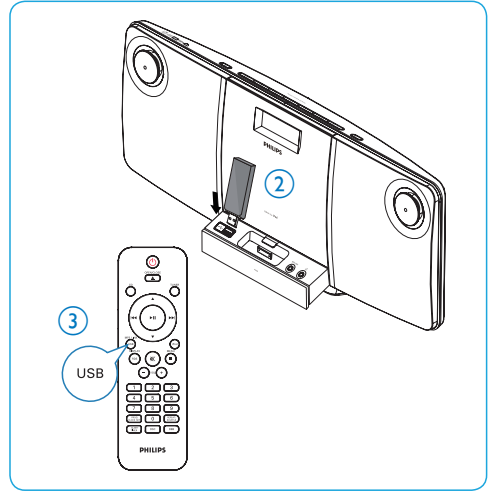
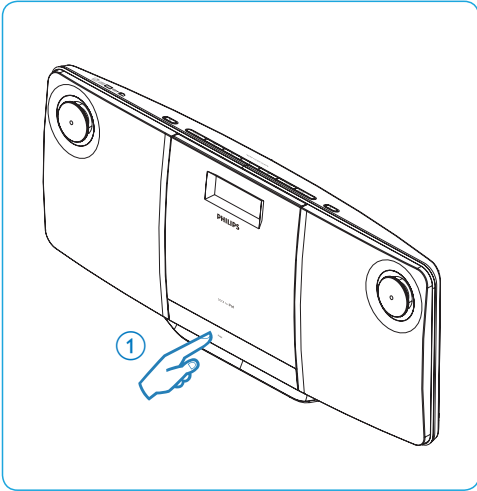
C Play disc



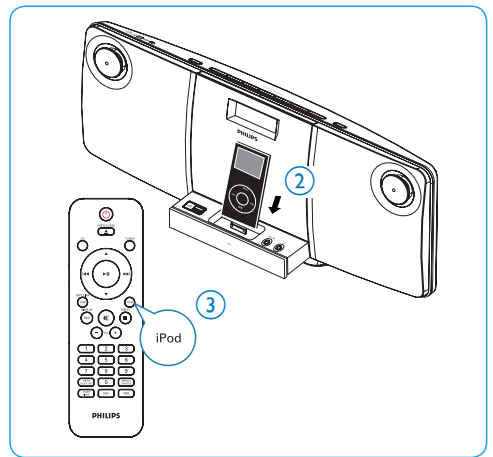
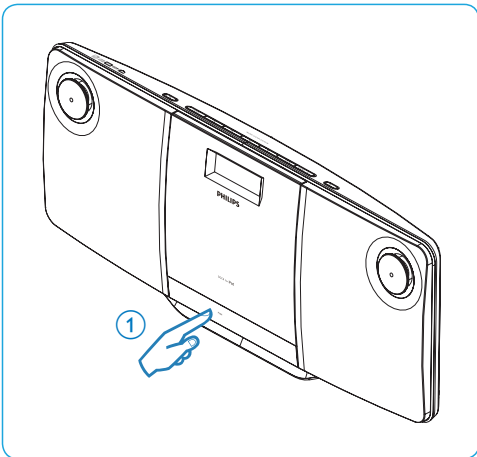
D Listen to radio



E Play from USB



F Play from iPod



Free Manuals Download Website

<http://myh66.com>

<http://usermanuals.us>

<http://www.somanuals.com>

<http://www.4manuals.cc>

<http://www.manual-lib.com>

<http://www.404manual.com>

<http://www.luxmanual.com>

<http://aubethermostatmanual.com>

Golf course search by state

<http://golfingnear.com>

Email search by domain

<http://emailbydomain.com>

Auto manuals search

<http://auto.somanuals.com>

TV manuals search

<http://tv.somanuals.com>