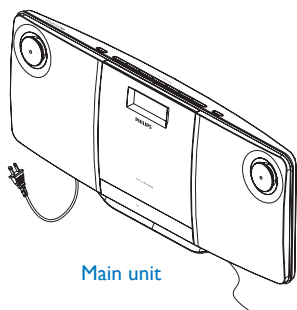
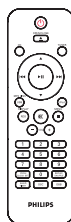


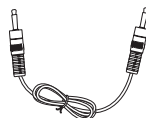
# Quick Start Guide



Main unit



Remote Control



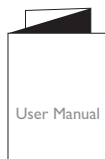
1 x MP3 link cable



Mounting kit



Wall mounting instructions

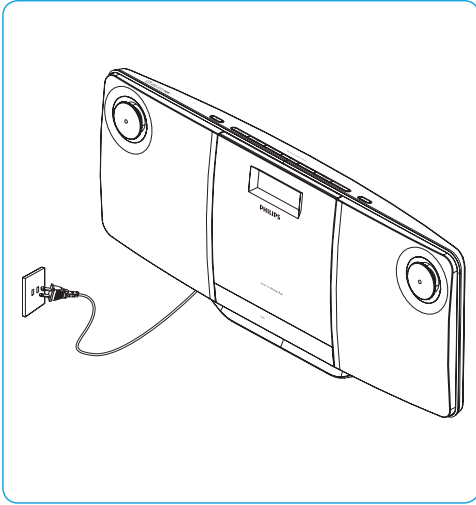


User Manual

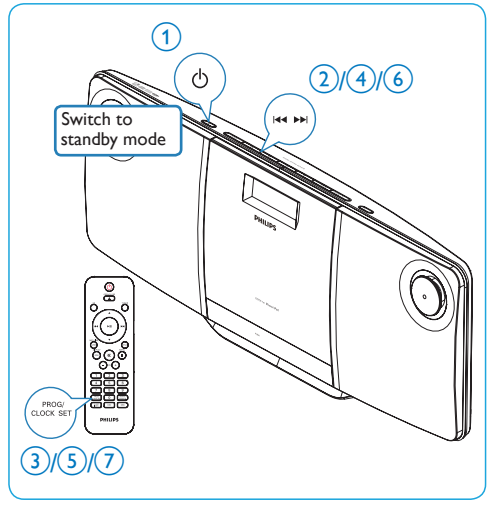


Quick Start Guide

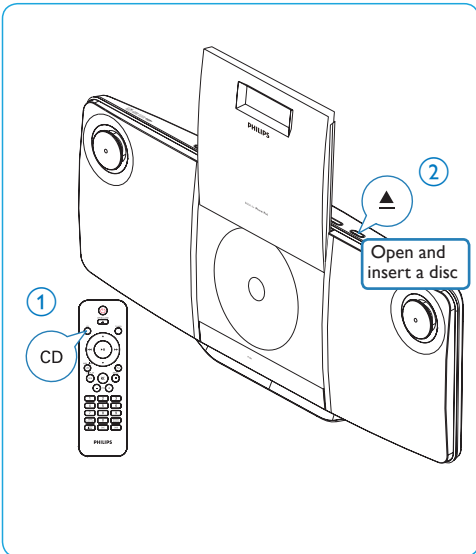
# A Connect



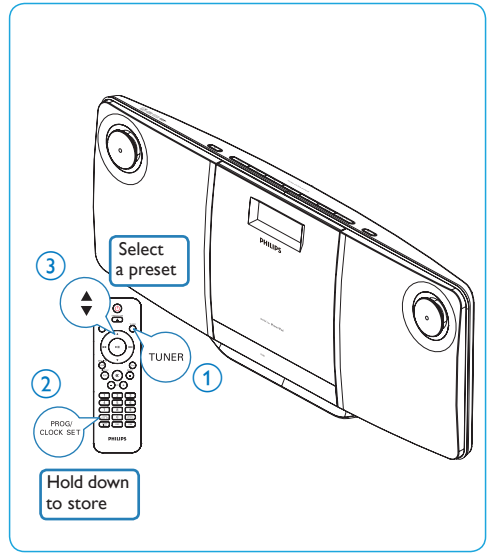
# B Set clock



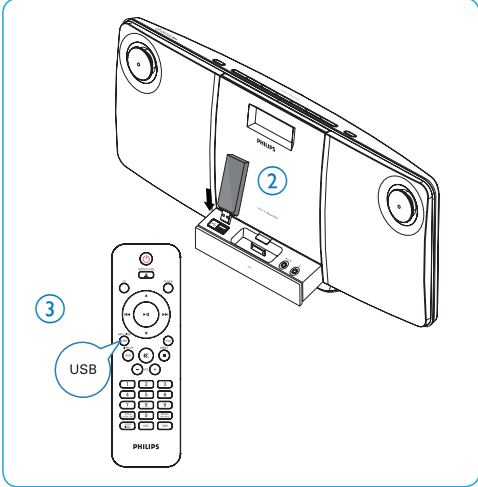
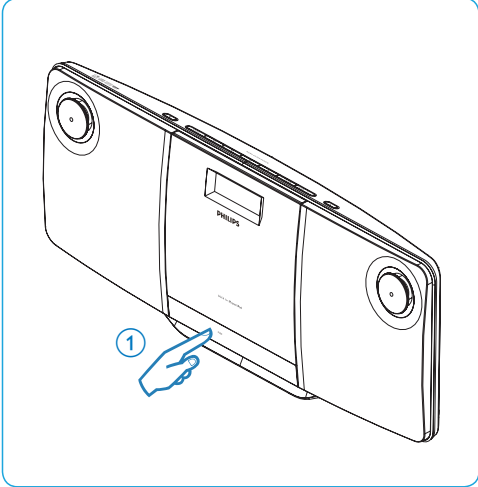
# C Play disc



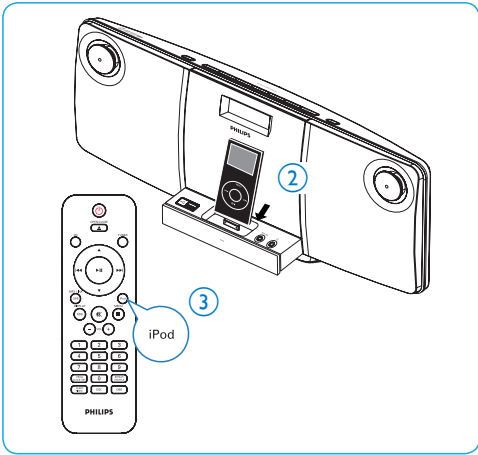
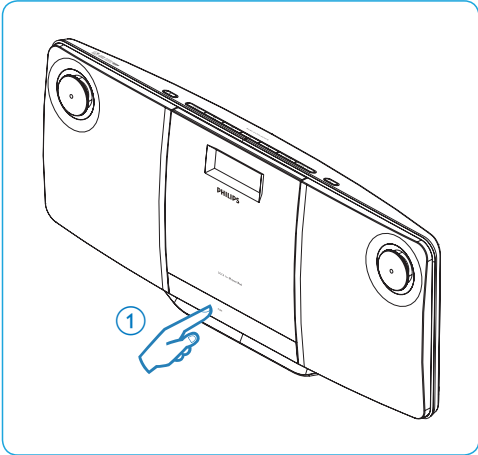
# D Listen to radio



# E Play from USB



# F Play from iPod/iPhone



## Free Manuals Download Website

<http://myh66.com>

<http://usermanuals.us>

<http://www.somanuals.com>

<http://www.4manuals.cc>

<http://www.manual-lib.com>

<http://www.404manual.com>

<http://www.luxmanual.com>

<http://aubethermostatmanual.com>

Golf course search by state

<http://golfingnear.com>

Email search by domain

<http://emailbydomain.com>

Auto manuals search

<http://auto.somanuals.com>

TV manuals search

<http://tv.somanuals.com>