

**Instruction for use**

**1. Introduction**

Congratulations! You have just bought a most sophisticated RF/FM wireless stereo sound system. This system uses the latest RF/FM wireless technology, which gives you complete freedom of movement while enjoying your own favorite music. No more inconvenience from cables or headphone wires! To ensure you get the best performance of your RF/FM stereo sound system, please read this document carefully.

**2. Features**

- **Wide transmission range** - the FM speaker (receiver) receives signals from up to 100 meter away from the FM transmitter.
- **High-frequency radio system** - the FM speaker set uses a high radio frequency as the signal carrier, ensuring a very clear, sharp reception.
- **Mute function** - suppresses excessive noise when there is no input signal.
- **No space limitation** - the FM speaker (receiver) is able to receive signals from the transmitter, even through barriers such as doors, walls and glasses.
- **Multiple headphones/speaker with one transmitter** - additional number of headphones and/or wireless speakers can be used with a single transmitter.
- **Trackball volume control**
- **Built-in 4 Watt amplifier**
- **Easily portable**
- **Battery or mains operated**
- **Bass reflex system**

**3. Components included**

In this FM speaker set the following components are included :

- FM receiver (speaker) SBC BC200

**4. Explanation of Controls**

1. Power On/Off
2. Trackball volume control
3. Stereo / Mono On/Off
4. Power indication LED
5. Bass reflex port
6. Tuning control knob
7. AC/DC adaptor input
8. Stereo output jack
9. Battery cover
10. Left - Right switch

**5. Installation**

- Insert the batteries (6 x R6,AA) into the battery compartment as shown in Figure 1. Ensure that the polarity is correct.
- SBC BC200 powered by AC/DC adaptor. Insert the AC/DC adaptor plug into the DC input jack (7). Then plug the AC/DC adaptor into a standard mains power wall outlet. The voltage mentioned on the rating label of the AC/DC adaptor should be in line with the voltage of the wall outlet.

**6. Operation**

- Switch on the RF/FM headphone.
- Apply an audio signal to the transmitter (using an audio source such as CD player, TV, or HiFi). The RF/ FM transmitter will switch on automatically.
- Tune the tuning control on the speaker until signal (audio sound) is at its clearest.
- Adjust the volume of the audio source to the highest acceptable undistorted level.
- When you no longer require the speakers, turn the power switch off to conserve batteries.
- When the battery power runs low, the battery indication (4) becomes less bright and the sound quality degrades; when this happens replace the batteries.
- Switch the "mono-stereo" switch to "mono" to listen to one speaker in mono only.
- Switch the "mono-stereo" switch to "stereo" to listen to two or more speakers in stereo.
- Switch the "L-R" switch, (located inside the battery compartment) to LEFT or RIGHT to determine the speaker's signal reproduction side (L=Left, R=Right). This only works in stereo mode!

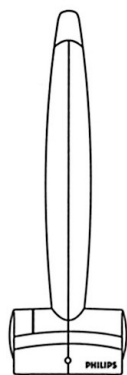
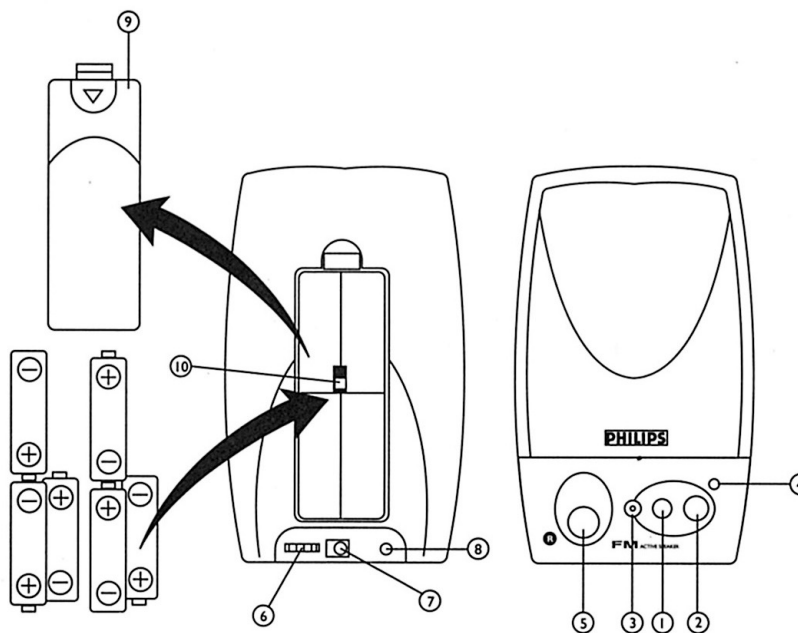
Note : There is more audible noise from the speaker in stereo mode compared to mono operation; this is not due to your speaker, but due to the FM stereo principle.

**7. Specifications**

System	: Radio Frequency (RF)
Carrier frequency	: Tunable 433.2 to 434.7 MHz
Modulation	: Frequency Modulation (FM)
Maximum output power	: 4 Watt
Effective transmission range	: 60-100 meter, omni directional (360°)
Power supply	: 6 x R6 (AA) batteries
Frequency range	: 80 ~ 20,000 Hz
Signal / Noise ratio	: > 50 dB
Distortion	: < 5% THD
Channel separation	: > 30 dB

**8. Precautions**

- This speaker system works only on a 9V DC supply. If the system has not being used or will not be used for some time, please remove the batteries to prevent leakage and corrosion.
- Do not leave the speakers near heat sources. Do not expose to direct sunlight, excessive dust, moisture, rain or any kind of mechanical shock.
- Do not use alcohol, thinner or petroleum-based substances to clean the speakers.
- If fluid spills into the speakers, remove the batteries immediately and consult an authorised dealer.
- Keep the mini speakers away from TV or credit cards using magnetic coding to prevent any damage caused by the speakers' magnets.

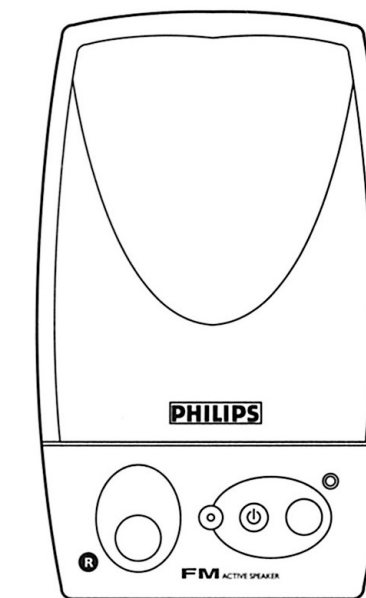
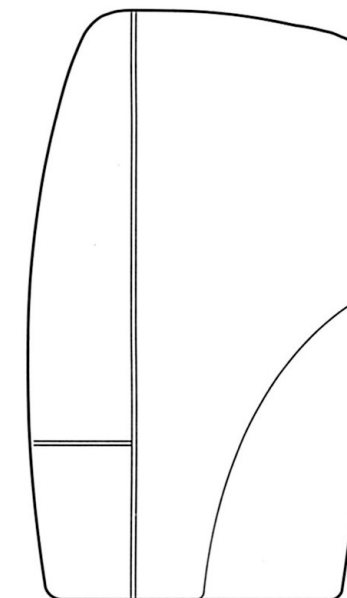


NOT INCLUDED

USE : PHILIPS FM TRANSMITTER  
SBC HC712  
SBC HC612  
SBC HC552

# PHILIPS

Instructions for use  
Mode d'emploi  
Gebrauchsanleitung  
Mini casse acustiche IFU  
Gebruiksaanwijzing  
Mini altifalantes IFU  
Minialtavoces IFU  
Minihögtalare IFU  
使用説明書



**PHILIPS**

SBC BC200

## Free Manuals Download Website

<http://myh66.com>

<http://usermanuals.us>

<http://www.somanuals.com>

<http://www.4manuals.cc>

<http://www.manual-lib.com>

<http://www.404manual.com>

<http://www.luxmanual.com>

<http://aubethermostatmanual.com>

Golf course search by state

<http://golfingnear.com>

Email search by domain

<http://emailbydomain.com>

Auto manuals search

<http://auto.somanuals.com>

TV manuals search

<http://tv.somanuals.com>