

BRIDGEABLE TWO-CHANNEL
POWER AMPLIFIER

AMPLIFICATEUR DE PUISSANCE
PONTABLE A DEUX VOIES

Owner's Manual

GM-5300T

Mode d'emploi

PIONEER CORPORATION

4-1, MEGURO 1-CHOME, MEGURO-KU, TOKYO 153-8654, JAPAN

PIONEER ELECTRONICS (USA) INC.

P.O. Box 1540, Long Beach, California 90801-1540, U.S.A.
TEL: (800) 421-1404

PIONEER EUROPE NV

Haven 1087, Keetberglaan 1, B-9120 Melsele, Belgium
TEL: (0) 3/570.05.11

PIONEER ELECTRONICS ASIACENTRE PTE. LTD.

253 Alexandra Road, #04-01, Singapore 159936
TEL: 65-6472-7555

PIONEER ELECTRONICS AUSTRALIA PTY. LTD.

178-184 Boundary Road, Braeside, Victoria 3195, Australia
TEL: (03) 9586-6300

PIONEER ELECTRONICS OF CANADA, INC.

300 Allstate Parkway, Markham, Ontario L3R OP2, Canada
TEL: 1-877-283-5901

PIONEER ELECTRONICS DE MEXICO, S.A. de C.V.

Blvd.Manuel Avila Camacho 138 10 piso
Col.Lomas de Chapultepec, Mexico, D.F. 11000
TEL: 55-9178-4270

Published by Pioneer Corporation.
Copyright © 2006 by Pioneer Corporation.
All rights reserved.

Publication de Pioneer Corporation.
Copyright © 2006 Pioneer Corporation.
Tous droits de reproduction et de traduction réservés.

Printed in China
Imprimé en Chine

<YRD5096-A/U> UC

<KMINX> <06J00000>

Before Using This Product

Thank you for purchasing this PIONEER product. It is designed to give you many years of enjoyment.

PIONEER SUGGESTS USING A PROFESSIONAL INSTALLER DUE TO THE COMPLEXITY OF THIS PRODUCT. Please read all instructions and **WARNINGS** in this manual before attempting operation. Should you have any questions, contact your nearest Pioneer authorized dealer or installation specialist.

Information to User

Alteration or modifications carried out without appropriate authorization may invalidate the user's right to operate the equipment.

Important

The serial number of this amplifier is written on the bottom of the unit. For your own security and convenience, write it down on the enclosed warranty card. Keep the card handy for future reference.

After-sales service for Pioneer products

Please contact the dealer or distributor from where you purchased the product for its after-sales service (including warranty conditions) or any other information. In case the necessary information is not available, please contact the companies listed below:

Please do not ship your product to the companies at the addresses listed below for repair without advance contact.

■ U.S.A.

Pioneer Electronics (USA) Inc.
CUSTOMER SUPPORT DIVISION
P.O. Box 1760
Long Beach, CA 90801-1760
800-421-1404

■ CANADA

Pioneer Electronics of Canada, Inc.
CUSTOMER SATISFACTION
DEPARTMENT
300 Allstate Parkway
Markham, Ontario L3R OP2
1-877-283-5901

For warranty information please see the Limited Warranty sheet included with your product.

Product registration

Visit us at the following site:

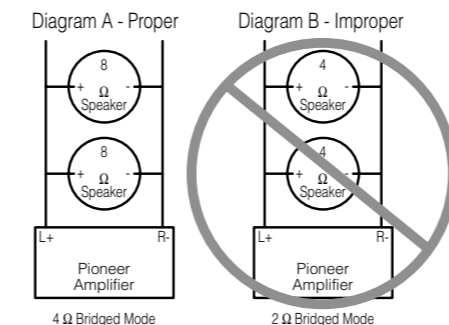
<http://www.pioneerelectronics.com>

- 1 Register your product. We will keep the details of your purchase on file to help you refer to this information in the event of an insurance claim such as loss or theft.
- 2 Receive updates on the latest products and technologies.
- 3 Download owner's manuals, order product catalogues, research new products, and much more.

CAUTION

Never replace the fuse with one of greater value or rating than the original fuse. Use of an improper fuse could result in overheating and smoke and could cause damage to the product and injury including burns.

CAUTION



Do NOT install or use your Pioneer amplifier by wiring speakers rated at 4 Ω (or lower) in parallel to achieve a 2 Ω (or lower) bridged mode (Diagram B).

Amplifier damage, smoke, and overheating could result from improper bridging. The amplifier surface could also become hot to the touch and minor burns could result. To properly install or use a bridged mode for a two-channel amplifier and achieve a 4 Ω load, wire two 8 Ω speakers in parallel with Left + and Right - (Diagram A) or use a single 4 Ω speaker. For a four-channel amplifier, follow the speaker output connection diagram for bridging as shown on the back of your amplifier, and wire two 8 Ω speakers in parallel to achieve a 4 Ω load or use a single 4 Ω speaker per channel.

If you have any questions or concerns, please contact your local authorized Pioneer dealer or call Pioneer customer service.

WARNING

- Handling the cord on this product or cords associated with accessories sold with the product will expose you to lead, a chemical known to the State of California and other governmental entities to cause cancer and birth defects or other reproductive harm. **Wash hands after handling.**
- Always use the special red battery and ground wire [RD-223], which is sold separately. Connect the battery wire directly to the car battery positive terminal (+) and the ground wire to the car body.
- Do not touch the amplifier with wet hands. Otherwise you may get an electric shock. Also, do not touch the amplifier when it is wet.
- For traffic safety and to maintain safe driving conditions, keep the volume low enough so that you can still hear normal traffic sound.
- Check the connections of the power supply and speakers if the fuse of the separately sold battery wire or the amplifier fuse blows. Detect the cause and solve the problem, then replace the fuse with another one of the same size and rating.
- To prevent malfunction of the amplifier and speakers, the protective circuit will cut the power supply to the amplifier (sound will stop) when an abnormal condition occurs. In such a case, switch the power to the system OFF and check the connection of the power supply and speakers. Detect the cause and solve the problem.
- Contact the dealer if you cannot detect the cause.
- To prevent an electric shock or short-circuit during connection and installation, be sure to disconnect the negative (-) terminal of the battery beforehand.
- Confirm that no parts are behind the panel when drilling a hole for installation of the amplifier. Be sure to protect all cables and important equipment such as fuel lines, brake lines and the electrical wiring from damage.
- DO NOT allow amplifier to come into contact with liquids due to, for example, the location where the amplifier is installed. Electrical shock could result. Also, amplifier and speaker damage, smoke, and overheating could result from contact with liquids. In addition, the amplifier surface and the surface of any attached speakers could become hot to the touch and minor burns could result.

Power Indicator

The power indicator lights when the power is switched on.

Gain Control

If the sound level is too low, even when the volume of the car stereo used along with this power amplifier is turned up, turn gain control on the front of the power amplifier clockwise. If the sound distorts when the volume is turned up, turn the gain control counter-clockwise.

- When using with an RCA equipped car stereo (standard output of 500 mV), set to the NORMAL position. When using with an RCA equipped Pioneer car stereo with max. output of 4 V or more, adjust level to match the car stereo output level.
- If you hear too much noise when using the speaker input terminals, turn the gain control counter-clockwise.

BFC (Beat Frequency Control) Switch

If you hear a beat while listening to an AM broadcast with your car stereo, change the BFC switch using a small standard tip screwdriver.

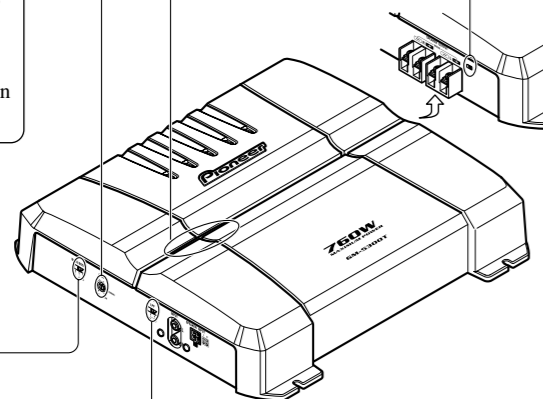
Bass Boost Level Control Switch

You can select a bass boost level from 0 dB, 6 dB and 12 dB.

LPF (Low-Pass Filter) Select Switch

Set the LPF select switch as follows according to the type of speaker that is connected to the speaker output connector and the car stereo system:

LPF Select Switch	Audio frequency range to be output	Speaker Type	Remarks
LPF (right)	80 Hz and below with -12 dB/oct. cut off slope	Subwoofer	Connect a subwoofer.
OFF (left)	Full range	Full range	



CAUTION

- Disconnect the negative (-) terminal of the battery to avoid the risk of short-circuit and damage to the unit.
- Secure the wiring with cable clamps or adhesive tape. To protect the wiring, wrap adhesive tape around it where they lie against metal parts.
- Do not route wires where they will get hot, for example where the heater will blow over them. If the insulation heats up, it may become damaged, resulting in a short-circuit through the vehicle body.

CAUTION:

To prevent damage and/or injury

- Do not ground the speaker wire directly or connect a negative (-) lead wire for several speakers.
- This unit is for vehicles with a 12-volt battery and negative grounding. Before installing it in a recreational vehicle, truck or bus, check the battery voltage.
- If the car stereo is kept on for a long time while the engine is at rest or idling, the battery may go dead. Turn the car stereo off when the engine is at rest or idling.
- If the system remote control wire of the amplifier is connected to the power terminal through the ignition switch (12 V DC), the amplifier will always be on when the ignition is on— regardless of whether the car stereo is on or off. Because of this, the battery could go dead if the engine is at rest or idling.

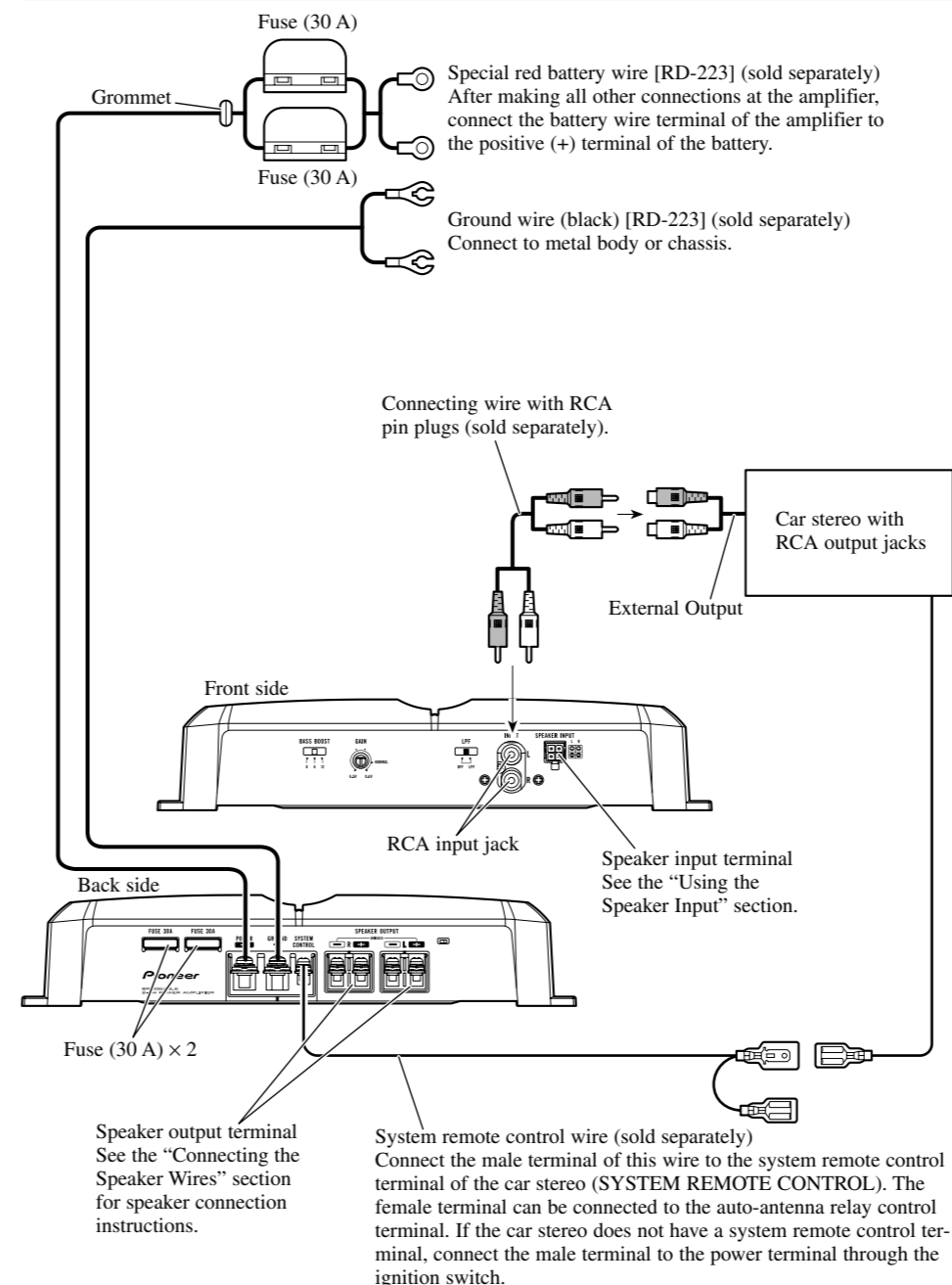
- Make sure that wires will not interfere with moving parts of the vehicle, such as the gearshift, handbrake or seat sliding mechanism.
- Do not shorten any wires. Otherwise the protection circuit may fail to work when it should.
- Never feed power to other equipment by cutting the insulation of the power supply wire to tap from the wire. The current capacity of the wire will be exceeded, causing overheating.
- Never replace the fuse with one of greater value or rating than the original fuse. Use of an improper fuse could result in overheating and smoke and could cause damage to the product and injury including burns.

- Speakers to be connected to the amplifier should conform with the standards listed below. If they do not conform, they may catch fire, emit smoke or become damaged. The speaker impedance must be 2 Ω to 8 Ω for stereo connection, and 4 Ω to 8 Ω for monaural and other bridge connection.
- Install and route the separately sold battery wire as far away as possible from the speaker wires.
- Install and route the separately sold battery wire, ground wire, speaker wires and the amplifier as far away as possible from the antenna, antenna cable and tuner.

• Cords for this product and those for other products may be different colors even if they have the same function. When connecting this product to another product, refer to the supplied manuals of both products and connect cords that have the same function.

Speaker Channel	Speaker Type	Power
Two-channel	Subwoofer	Nominal input: Min. 120 W
	Other than subwoofer	Max. input: Min. 250 W
One-channel	Subwoofer	Nominal input: Min. 420 W
	Other than subwoofer	Max. input: Min. 760 W

Connection Diagram

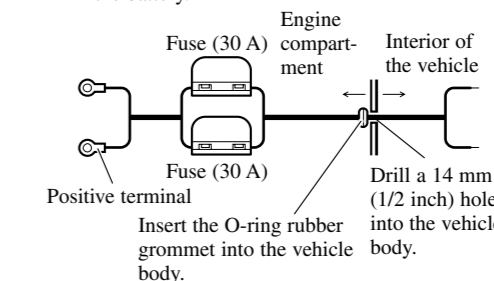


Connecting the Power Terminal

- Always use the special red battery and ground wire [RD-223], which is sold separately. Connect the battery wire directly to the car battery positive terminal (+) and the ground wire to the car body.

1. Pass the battery wire from the engine compartment to the interior of the vehicle.

- After making all other connections to the amplifier, connect the battery wire terminal of the amplifier to the positive (+) terminal of the battery.

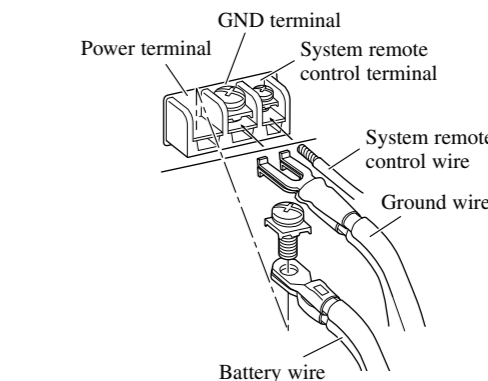


2. Twist the battery wire, ground wire and system remote control wire.

- Use pliers, etc., to crimp lugs to wires.

3. Attach lugs to wire ends. Lugs not supplied.

- Fix the wires securely with the terminal screws.



WARNING

Failure to securely fasten the battery wire to the terminal using the terminal screws could cause the terminal area to overheat and could result in damage and injury including minor burns.

Connecting the Speaker Output Terminals

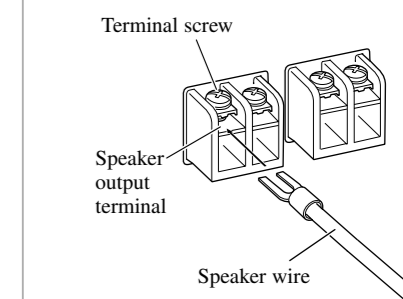
1. Expose the end of the speaker wires using nippers or a cutter by about 10 mm (3/8 inch) and twist.

2. Attach lugs to speaker wire ends. Lugs not supplied.

- Use pliers, etc., to crimp lugs to wires.

3. Connect the speaker wires to the speaker output terminals.

- Fix the speaker wires securely with the terminal screws.

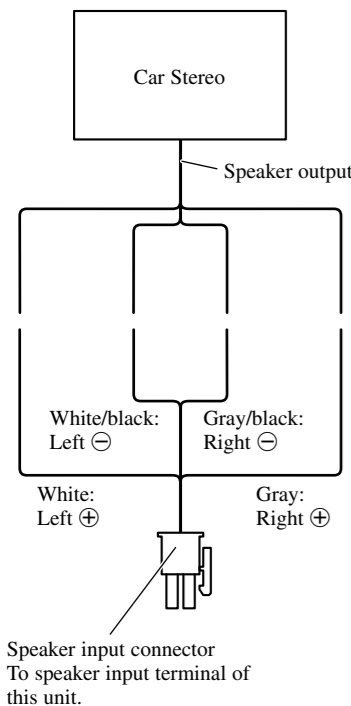


Using the Speaker Input

Connect the car stereo speaker output wires to the amplifier using the supplied speaker input connector.

- Do not connect both the RCA input and the speaker input at the same time.

Connections when using the speaker input

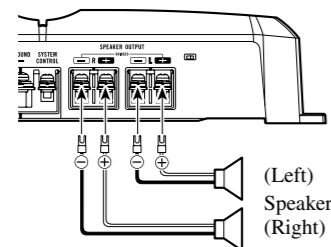


Connecting the Speaker Wires

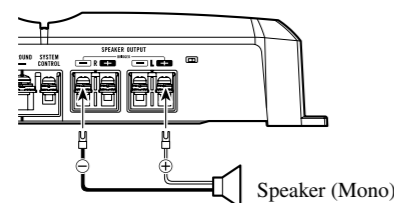
The speaker output mode can be two-channel (stereo) or one-channel (mono). Connect the speaker leads to suit the mode according to the figures shown below.

- Do not connect both the RCA input and the speaker input at the same time.

Two-channel mode (stereo)



One-channel mode (mono)



CAUTION

- Do not install in:
 - Places where it could injure the driver or passengers if the vehicle stops suddenly.
 - Places where it may interfere with the driver, such as on the floor in front of the driver's seat.
- Make sure that wires are not caught in the sliding mechanism of the seats, resulting in a short-circuit.
- Confirm that no parts are behind the panel when drilling a hole for installation of the amplifier. Protect all cables and important equipment such as fuel lines, brake lines and electrical wiring from damage.
- Install tapping screws in such a way that the screw tip does not touch any wire. This is important to prevent wires from being cut by vibration of the car, which can result in fire.
- DO NOT allow amplifier to come into contact with liquids due to, for example, the location where the amplifier is installed. Electrical shock could result. Also, amplifier and speaker damage, smoke, and overheating could result from contact with liquids. In addition, the amplifier surface and the surface of any attached speakers could become hot to the touch and minor burns could result.
- To ensure proper installation, use the supplied parts in the manner specified. If any parts other than the supplied ones are used, they may damage internal parts of the amplifier, or they may become loose causing the amplifier to shut down.
- Never replace the fuse with one of greater value or rating than the original fuse. Use of an improper fuse could result in overheating and smoke and could cause damage to the product and injury including burns.

CAUTION:

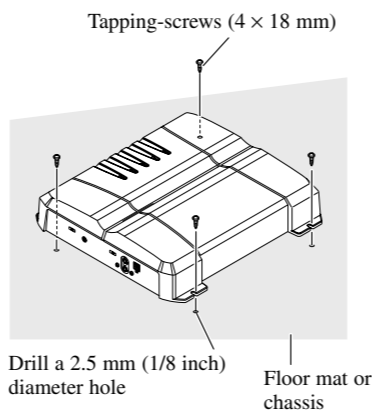
To prevent malfunction and/or injury

- To ensure proper heat dissipation of the amplifier, be sure of the following during installation.
 - Allow adequate space above the amplifier for proper ventilation.
 - Do not cover the amplifier with a floor mat or carpet.
- DO NOT allow amplifier to come into contact with liquids due to, for example, the location where the amplifier is installed. Electrical shock could result. Also, amplifier and speaker damage, smoke, and overheating could result from contact with liquids. In addition, the amplifier surface and the surface of any attached speakers could become hot to the touch and minor burns could result.

- Do not install the amplifier on unstable places such as the spare tire board.
- The best location for installation differs with the car model and installation location. Secure the amplifier at a sufficiently rigid location.
- Make temporary connections first and check that the amplifier and the system operate properly.
- After installing the amplifier, confirm that the spare tire, jack and tools can be easily removed.

Example of installation on the floor mat or on the chassis

- Place the amplifier where it is to be installed. Insert the supplied tapping screws (4 × 18 mm) into the screw holes. Push on the screws with a screwdriver so they make marks where the installation holes are to be located.
- Drill 2.5 mm (1/8 inch) diameter holes at the point marked, and install the amplifier, either on the carpet or directly to the chassis.



Power source	14.4 V DC (10.8 V to 15.1 V allowable)
Grounding system	Negative type
Current consumption	30.0 A (at continuous power, 4 Ω)
Average current drawn*	10.0 A (4 Ω for two channels) 19.0 A (4 Ω for one channel)
Fuse	30 A × 2
Dimensions	300 mm (W) × 60 mm (H) × 334 mm (D) [12 in. (W) × 2-3/8 in. (H) × 1ft. 1 in. (D)]
Weight	3.9 kg (8.6 lbs.) (Leads for wiring not included)
Maximum power output	250 W × 2 (4 Ω) / 760 W × 1 (4 Ω)
Continuous power output	125 W × 2 (at 14.4 V, 4 Ω, 20 Hz to 20 kHz 0.2% THD) 380 W × 1 (at 14.4 V, 4 Ω, 20 Hz to 20 kHz 0.8% THD) 190 W × 2 (at 14.4 V, 2 Ω, 20 Hz to 20 kHz 0.8% THD)
Load impedance	4 Ω (2 Ω to 8 Ω allowable) (Bridge connection: 4 Ω to 8 Ω allowable)
Frequency response	10 Hz to 50 kHz (+0 dB, -1 dB)
Signal-to-noise ratio	95 dB (IHF-A network)
Distortion	0.015 % (10 W, 1 kHz)
Separation	70 dB (1 kHz)
Low pass filter	Cut off frequency: 80 Hz Cut off slope: -12 dB/oct
Bass boost	Frequency: 50 Hz Level: 0 dB/6 dB/12 dB
Gain control	RCA: 400 mV to 6.5 V Speaker: 1.6 V to 26 V
Maximum input level / impedance	RCA: 6.5 V / 22 kΩ Speaker: 26 V / 40 kΩ

Power output	125 W RMS × 2 channels (4 Ω and ≅ 1 % THD+N) 380 W RMS × 1 channel (4 Ω and ≅ 1 % THD+N) 190 W RMS × 2 channels (2 Ω and ≅ 1 % THD+N)
Signal-to-noise ratio	75 dBA (Reference: 1 W into 4 Ω)



Note:

- Specifications and the design are subject to possible modification without notice due to improvements.

*Average current drawn

- The average current drawn is nearly the maximum current drawn by this unit when an audio signal is input. Use this value when working out total current drawn by multiple power amplifiers.

Nous vous remercions d'avoir porté votre choix sur un appareil PIONEER. Il a été conçu et fabriqué pour vous apporter de nombreuses années de satisfaction. En raison des problèmes posés par l'installation de cet appareil, Pioneer vous conseille de consulter un professionnel. Avant d'utiliser l'appareil, prenez connaissance de ce mode d'emploi et tout spécialement des **AVERTISSEMENTS**. Pour toute question concernant cet appareil, veuillez vous adresser au revendeur ou à l'installateur.

Service après-vente pour un produit Pioneer

Pour toute question, et en particulier pour toute question relative au service après-vente (y compris celles qui relèvent de la garantie), veuillez vous adresser au revendeur ou au distributeur auprès de qui vous avez acquis ce produit. Dans l'hypothèse où vous ne pourriez pas être renseigné comme vous le désirez, consultez l'une des sociétés mentionnées ci-dessous. N'expédiez pas le produit à l'une de ces sociétés, quelle qu'en soit la raison, avant d'y avoir été expressément invité.

■ Etats-Unis

Pioneer Electronics (USA) Inc.
CUSTOMER SUPPORT DIVISION
P.O. Box 1760
Long Beach, CA 90801-1760
800-421-1404

■ Canada

Pioneer électroniques du Canada, Inc.
Département de service aux consommateurs
300 Allstate Parkway
Markham, Ontario L3R 0P2
1-877-283-5901

Pour toute question concernant la garantie, veuillez consulter le document Garantie Limitée qui accompagne le produit.

Enregistrement du produit

Rendez-nous visite sur le site suivant:

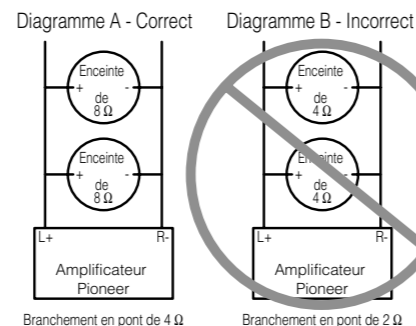


- 1 Enregistrez votre produit. Nous conserverons sur fichier les détails de votre achat pour vous permettre de vous reporter à ces informations en cas de déclaration de sinistre à votre assurance pour perte ou vol.
- 2 Recevez les mises à jour sur les derniers produits et les plus récentes technologies.
- 3 Téléchargez les manuels de l'utilisateur, commandez les catalogues des produits, recherchez de nouveaux produits, et bien plus.

⚠ PRÉCAUTION

Ne remplacez pas le fusible par un fusible de plus grande valeur ou de plus grand calibre. L'utilisation d'un fusible inadéquat peut entraîner une surchauffe et de la fumée, et peut provoquer l'endommagement de l'appareil et des blessures, y compris des brûlures.

⚠ PRÉCAUTION



NE PAS installer ou utiliser l'amplificateur Pioneer en câblant des haut-parleurs de 4 Ω (ou moins) en parallèle pour obtenir un branchement en pont de 2 Ω (ou moins) (schéma B).

Ce type de branchement incorrect peut provoquer des détériorations, de la fumée et une surchauffe de l'amplificateur. Le boîtier de l'amplificateur peut aussi devenir chaud et être à l'origine de brûlures légères.

Pour installer ou utiliser correctement un branchement en pont sur un amplificateur à double canal et obtenir une charge de 4 Ω, câbler deux haut-parleurs de 8 Ω en parallèle avec Gauche + et Droite - (schéma A) ou utiliser un seul haut-parleur de 4 Ω. Pour un amplificateur à quatre canaux, se reporter au schéma de connexion de sortie des haut-parleurs pour un branchement en pont se trouvant sur le panneau arrière de l'amplificateur et câbler deux haut-parleurs de 8 Ω en parallèle pour obtenir une charge de 4 Ω ou utiliser un seul haut-parleur de 4 Ω par canal. En cas de questions ou de difficultés, contacter le revendeur local Pioneer

agréé ou appeler le service à la clientèle de Pioneer.

ATTENTION

- Utilisez le faisceau de câbles de liaison à la batterie (un câble rouge et un câble de masse) qui est vendu séparément [RD-223]. Reliez le câble rouge à la borne positive (+) de la batterie et le câble de masse à la carrosserie du véhicule.
- Ne touchez pas l'amplificateur quand vous avez les mains mouillées, faute de quoi vous risquez de ressentir une secousse électrique. Pareillement, ne touchez pas l'amplificateur s'il est mouillé.
- Pour votre sécurité et celles des autres usagers de la route, maintenez le niveau d'écoute à une valeur telle que les bruits de la circulation demeurent nettement perceptibles.
- Si le fusible monté sur le câble de liaison à la batterie, câble qui est vendu séparément, a grillé ou bien s'il en est ainsi de celui de l'amplificateur, vérifiez soigneusement toutes les connexions d'alimentation. Recherchez la cause de l'anomalie puis corrigez-la; enfin, remplacez le fusible grillé par un fusible de même taille et de même calibre.
- Pour éviter d'endommager l'amplificateur et les haut-parleurs, le circuit de protection coupe l'alimentation de l'amplificateur (les sons ne sont plus émis) dès que survient une situation anormale. Dans ce cas, mettez l'ensemble des appareils hors tension et contrôlez les liaisons entre l'amplificateur et les haut-parleurs. Le cas échéant, recherchez la cause de l'anomalie et corrigez-la.
- Consultez le revendeur si vous n'êtes pas en mesure de résoudre le problème qui se pose à vous.
- Pour éviter toute secousse électrique et tout risque de court-circuit au cours des opérations de raccordement et d'installation, n'oubliez pas de débrancher le câble relié au pôle négatif de la batterie (-) avant d'effectuer quelque opération que ce soit.
- Avant d'effectuer un perçage requis par l'installation de l'amplificateur, assurez-vous que vous pouvez le faire sans danger pour les câbles, canalisations, flexibles, etc., qui sont placés derrière le panneau que vous devez percer.
- NE LAISSEZ PAS l'amplificateur entrer en contact avec des liquides à cause, par exemple, de l'emplacement où il a été placé. Cela pourrait entraîner une secousse électrique. De plus, le contact avec un liquide pourrait endommager l'amplificateur et les enceintes, produire de la fumée ou surchauffer l'appareil. Enfin, la surface de l'amplificateur et des enceintes connectées peut devenir chaude au toucher et entraîner de légères brûlures.

Témoin d'alimentation

Ce témoin s'éclaire lorsque l'amplificateur est sous tension.

Commande du gain

- Si le niveau d'écoute est faible même lorsque la commande de l'autoradio est sur la position correspondant au maximum, tournez la commande de gain, placée le devant de l'amplificateur, dans le sens des aiguilles d'une montre. Inversement, si vous constatez de la distorsion lorsque vous augmentez le niveau de sortie de l'autoradio, tournez cette commande dans le sens contraire des aiguilles d'une montre.
- Choisissez la position NORMAL si l'autoradio stéréo est équipé de prises Cinch (RCA) (niveau de sortie standard à 500 mV). Si cet appareil est utilisé conjointement avec un autoradio stéréo Pioneer pourvu de prises Cinch (RCA) sur lesquelles peuvent se trouver une tension de sortie de 4 V ou plus, réglez le niveau en fonction du niveau de sortie de l'autoradio.
 - Si vous notez que le bruit est trop élevé quand vous utilisez les prises d'entrée pour haut-parleur, tournez la commande de gain dans le sens contraire des aiguilles d'une montre.

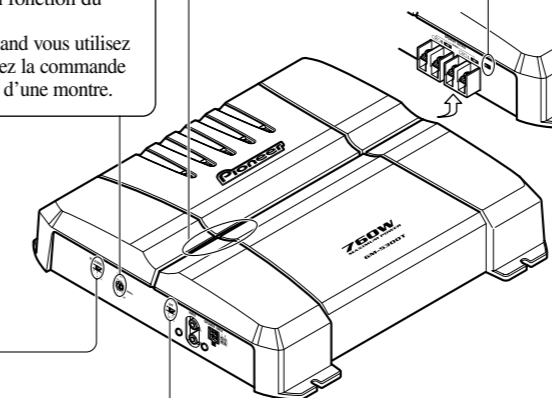
Commutateur de commande d'amplitude de l'accentuation des graves

Vous pouvez choisir un niveau d'accentuation de 0 dB, 6 dB ou 12 dB.

Sélecteur LPF (Filtre passe-bas)

Positionnez le sélecteur LPF comme indiqué ci-dessous en tenant compte de l'autoradio et du type du haut-parleur relié au connecteur de sortie.

Sélecteur LPF	Gamme des fréquences disponibles en sortie	Type de haut-parleur	Remarques
LPF (Droite)	80 Hz et inférieur avec une pente de -12 dB/oct.	Haut-parleur d'extrêmes graves	Utilisez un haut-parleur d'extrêmes graves.
OFF (Gauche)	Tout le spectre des fréquences	Haut-parleur pleine gamme	



Interrupteur BFC (Commande de fréquence de battement)

Si l'on entend un battement pendant que l'on écoute une transmission AM avec le stéréo de la voiture, changer l'interrupteur BFC en utilisant un petit tournevis standard de pointe.

⚠ PRÉCAUTION

- Pour éviter tout risque de court-circuit ou d'endommager cet appareil, débranchez le câble relié à la borne négative (-) de la batterie, au niveau de cette borne.
- Fixez les câbles au moyen de colliers ou du ruban adhésif. Lorsque l'isolant du câble peut être endommagé par une pièce métallique, assurez sa protection en le gainant de ruban adhésif.
- Faites cheminer les câbles en évitant les zones chaudes telles que les bouches du chauffage. La chaleur peut endommager l'isolant et il peut en résulter un court-circuit si l'âme du câble vient en contact avec la carrosserie.
- Assurez-vous que les câbles ne gênent en rien la manoeuvre des organes mobiles tels que rails de siège mais aussi levier de frein de stationnement, pédale de frein, etc.

- Veillez à ce qu'aucun câble ne soit en court-circuit, faute de quoi le circuit de protection pourrait être dans l'incapacité de remplir son office.
- N'alimentez pas un appareil par un piquage sur le câble qui alimente un autre appareil. Ce câble n'a peut-être pas la section suffisante pour supporter sans danger l'intensité consommée par les deux appareils.
- Ne remplacez pas le fusible par un fusible de plus grande valeur ou de plus grand calibre. L'utilisation d'un fusible inadapté peut entraîner une surchauffe et de la fumée, et peut provoquer l'endommagement de l'appareil et des blessures, y compris des brûlures.

⚠ PRÉCAUTION:

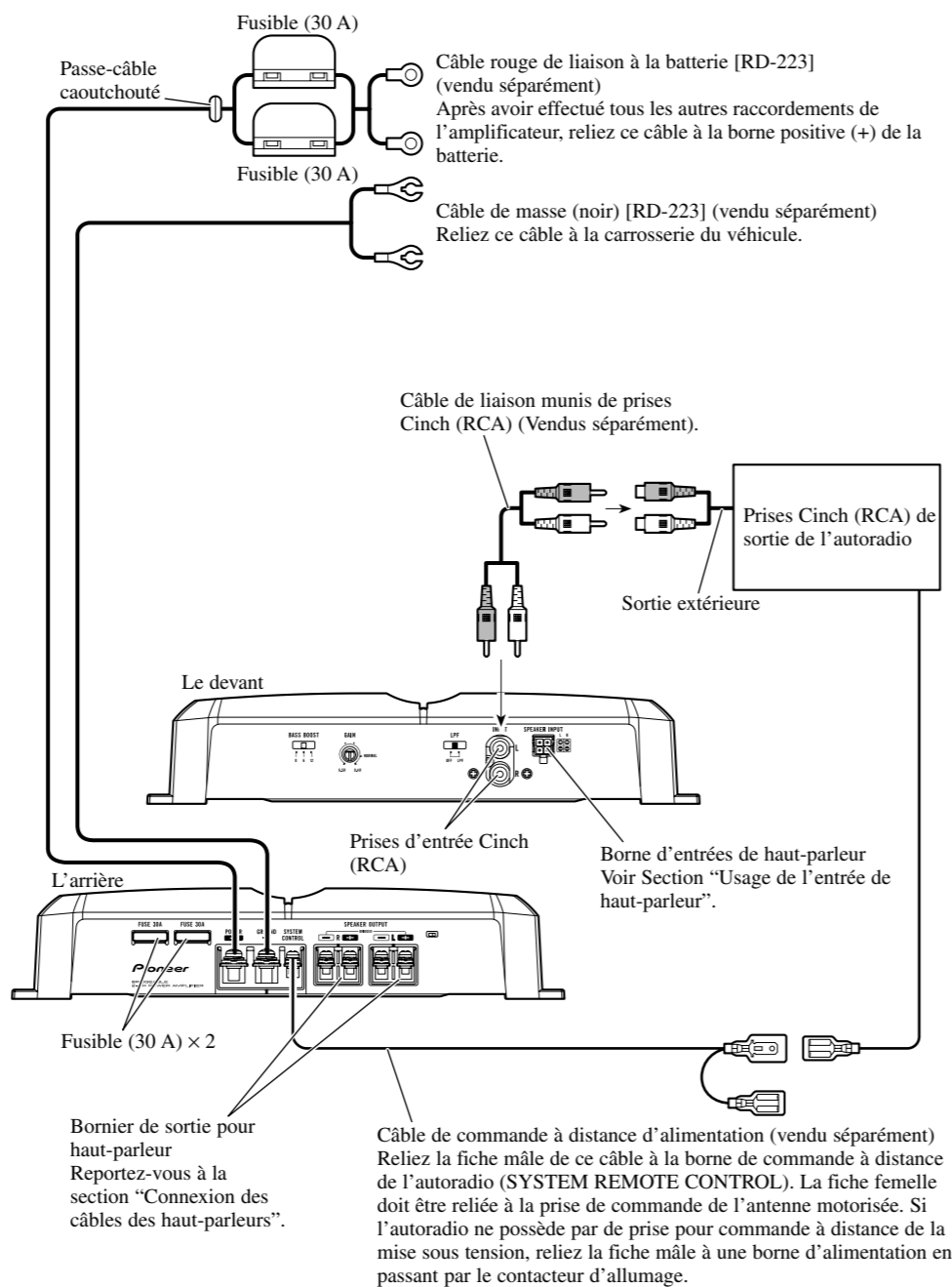
Pour éviter toute anomalie ou blessure

- Ne reliez pas à la masse le câble (-) d'un haut-parleur; ne reliez pas ensemble plusieurs câbles négatifs de haut-parleurs.
- Cet appareil est conçu pour les véhicules alimentés par une batterie 12 V dont le pôle négatif est à la masse. Avant d'installer cet appareil, contrôlez la tension de la batterie.
- Si vous conservez l'autoradio en fonctionnement alors que le moteur est arrêté ou tourne au ralenti, la batterie peut être déchargée au bout d'un certain temps. Pour éviter cela, mettez l'autoradio hors tension.
- Si le câble de commande à distance de l'amplificateur est relié à la borne d'alimentation par l'intermédiaire du contacteur d'allumage (12 V CC), l'amplificateur sera sous tension dès que vous mettez le contact, et cela quelle que soit la situation de l'autoradio. En conséquence, la batterie peut être rapidement déchargée si le moteur ne tourne pas, ou tourne au ralenti.

- Les haut-parleurs qui sont connectés à l'amplificateur doivent se conformer aux standards suivants. Sinon, ils pourraient prendre feu, fumer ou être endommagés. L'impédance du haut-parleur doit être 2 Ω à 8 Ω pour la connexion stéréo, et 4 Ω à 8 Ω pour la connexion monaurale et celle de l'autre pont.
- Installez le câble de liaison à la batterie, vendu séparément, et faites-le cheminer aussi loin que possible des câbles de liaison aux haut-parleurs. Installez le câble de liaison à la batterie, vendu séparément, le câble de masse, les câbles de liaison aux haut-parleurs et l'amplificateur aussi loin que possible de l'antenne, du câble d'antenne et du syntoniseur.

- Les câbles de cet appareil et ceux d'autres appareils peuvent fort bien ne pas être de la même couleur bien que remplissant la même fonction. Pour relier cet appareil à un autre appareil, utilisez le manuel de chacun et effectuez les raccordements en ne tenant compte que de la fonction de chaque câble.

Schéma de raccordement



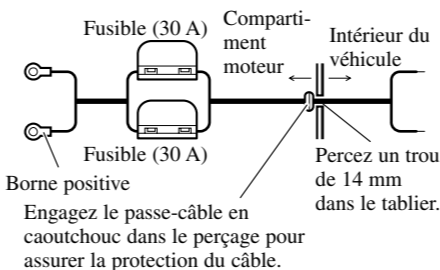
Voie de sortie	Type de haut-parleur	Puissance
Deux voies	Haut-parleur d'extrêmes graves	P. nominale d'entrée: 120 W minimum
	Autre que haut-parleur d'extrêmes graves	P. maximale d'entrée: 250 W minimum
Un voie	Haut-parleur d'extrêmes graves	P. nominale d'entrée: 420 W minimum
	Autre que haut-parleur d'extrêmes graves	P. maximale d'entrée: 760 W minimum

Raccordement de la borne d'alimentation

- Utilisez le faisceau de câbles de liaison à la batterie (un câble rouge et un câble de masse) qui est vendu séparément [RD-223]. Reliez le câble rouge à la borne positive (+) de la batterie et le câble de masse à la carrosserie du véhicule.

1. Faites passer le câble de liaison à la batterie du compartiment moteur vers l'intérieur du véhicule.

- Après avoir effectué tous les autres raccordements de l'amplificateur, reliez la borne d'alimentation de l'amplificateur à la borne positive (+) de la batterie.

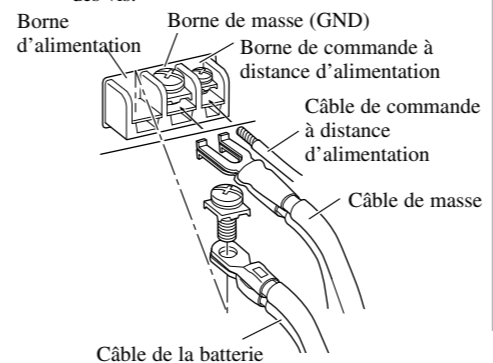


2. Torsadez le câble de la batterie, celui de masse et celui de la commande à distance.

- Utilisez un outil spécial, etc., pour sertir la cosse sur le câble.

4. Reliez les câbles aux bornes.

- Serrez soigneusement les câbles au moyen des vis.



⚠ ATTENTION

Faute de serrer soigneusement le câble de batterie sur la borne au moyen d'une vis de borne, une élévation importante de température de la borne peut se produire et provoquer dommages et blessures, y compris brûlures légères.

Raccordement des bornes de sortie vers les haut-parleurs

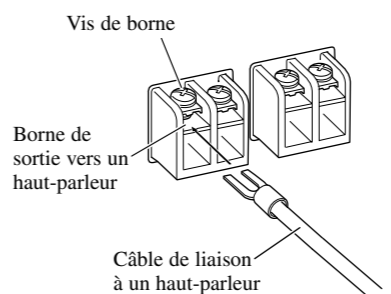
1. Dénudez l'extrémité des câbles de liaison aux haut-parleurs par une pince ou un couteau sur 10 mm environ et torsadez les brins des câbles.

2. Fixez une cosse à l'extrémité de chaque câble de haut-parleur. Les cosses ne sont pas fournies.

- Utilisez un outil spécial, etc., pour sertir la cosse sur le câble.

3. Reliez les câbles de liaisons aux haut-parleurs aux bornes de sortie vers les haut-parleurs.

- Serrez soigneusement les cosses au moyen des vis.

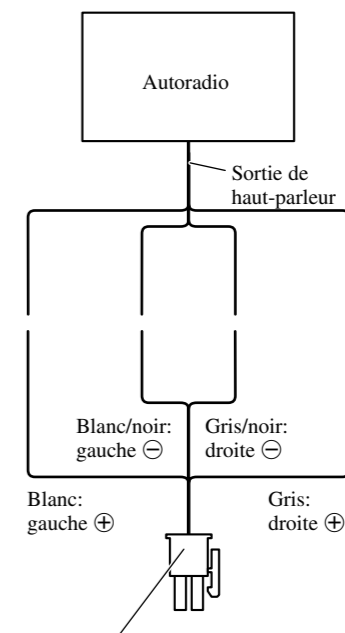


Usage de l'entrée de haut-parleur

Sélection du joint d'entrée du haut-parleur fourni avec la voiture, dont la connection de sortie pour le haut-parleur à stéréo sera liée à l'amplifier.

- Ne connectez pas l'entrée de haut-parleur et l'entrée de RCA en même temps.

■ Connexion lors de l'utilisation de l'entrée du haut-parleur



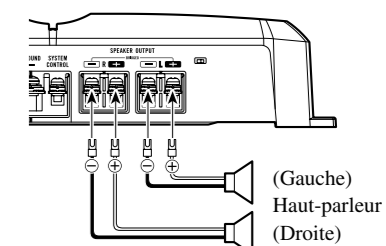
Connecteur d'entrée de haut-parleur À la borne d'entrée du haut-parleur de cet appareil.

Connexion des câbles des haut-parleurs

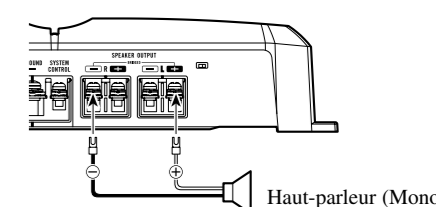
Deux modes de sortie de l'amplificateur sont possibles: deux voies (stéréophonie) ou une voie (monophonie). Connecter les fils du haut-parleur pour se conformer au mode suivant les figures cidessous.

- Ne connectez pas l'entrée de haut-parleur et l'entrée de RCA en même temps.

Mode deux voies (stéréo)



Mode une voie (monophonie)



⚠ PRÉCAUTION

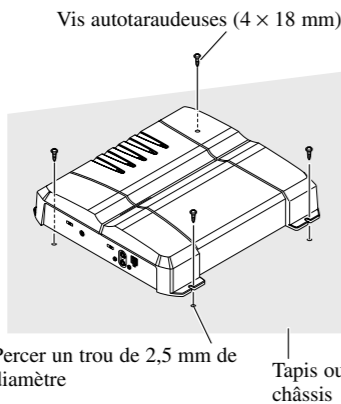
- N'installez pas l'appareil:
 - dans un endroit où il pourrait blesser un occupant du véhicule en cas d'arrêt brusque;
 - dans un endroit où il pourrait gêner le conducteur, par exemple devant son siège.
- Veillez à ce que les câbles ne puissent pas être pincés et endommagés par les sièges, ce qui peut conduire à un court-circuit.
- Avant d'effectuer un perçage requis par l'installation de l'amplificateur, assurez-vous que vous pouvez le faire sans danger pour les câbles, canalisations, flexibles, etc., qui sont placés derrière le panneau que vous devez percer.
- Posez les vis autotaraudeuses de manière que leur extrémité ne puisse pas endommager les câbles. Il est important que l'isolant d'un câble ne soit pas endommagé par le frottement sur une pièce, ce qui pourrait ultérieurement entraîner un court-circuit.
- NE LAISSEZ PAS l'amplificateur entrer en contact avec des liquides à cause, par exemple, de l'emplacement où il a été placé. Cela pourrait entraîner une secousse électrique. De plus, le contact avec un liquide pourrait endommager l'amplificateur et les enceintes, produire de la fumée ou surchauffer l'appareil. Enfin, la surface de l'amplificateur et des enceintes connectées peut devenir chaude au toucher et entraîner de légères brûlures.
- Pour effectuer convenablement l'installation, utilisez les pièces fournies et procédez comme il est indiqué. L'utilisation de pièces autres que celles fournies peut endommager l'amplificateur.
- Ne remplacez pas le fusible par un fusible de plus grande valeur ou de plus grand calibre. L'utilisation d'un fusible inadapté peut entraîner une surchauffe et de la fumée, et peut provoquer l'endommagement de l'appareil et des blessures, y compris des brûlures.

De plus, le contact avec un liquide pourrait endommager l'amplificateur et les enceintes, produire de la fumée ou surchauffer l'appareil. Enfin, la surface de l'amplificateur et des enceintes connectées peut devenir chaude au toucher et entraîner de légères brûlures.

- N'installez pas l'amplificateur sur une surface instable telle que le tapis amovible cachant la roue de secours.
- Le meilleur emplacement d'installation dépend du véhicule, mais, quoi qu'il en soit, doit être rigide et solide.
- Effectuez tout d'abord des raccordements temporaires pour vous assurer que l'amplificateur et les autres appareils fonctionnent correctement.
- Choisissez un emplacement qui permette le retrait sans peine de la roue de secours, du cric et de la boîte à outils.

Exemple d'installation sur le tapis de sol ou sur le châssis

- Posez l'amplificateur à l'emplacement choisi. Introduisez les vis autotaraudeuses fournies (4 × 18 mm) dans les perçages. Appuyez fermement sur les vis au moyen d'un tournevis pour marquer les points de perçage.**
- Percer des trous de 2,5 mm de diamètre aux emplacements marqués puis fixez l'amplificateur soit à travers le tapis, soit directement sur le châssis.**



⚠ PRÉCAUTION:

- Pour éviter toute anomalie de fonctionnement ou blessure**
- Pour que la chaleur puisse se dissiper sans mal, respectez ce qui suit:
 - veillez à ce qu'un espace dégagé existe au-dessus de l'amplificateur;
 - ne recouvrez pas l'amplificateur d'un tapis ou d'une moquette.
 - NE LAISSEZ PAS l'amplificateur entrer en contact avec des liquides à cause, par exemple, de l'emplacement où il a été placé. Cela pourrait entraîner une secousse électrique.

Alimentation	14,4 V CC (10,8 V à 15,1 V permis)
Mise à la masse	Pôle négatif de la batterie
Consommation de courant	30,0 A (à la puissance continue, 4 Ω)
Consommation moyenne de courant*	10,0 A (4 Ω pour deux voies) 19,0 A (4 Ω pour une voie)
Fusible	30 A × 2
Dimensions	300 mm (L) × 60 mm (H) × 334 mm (P)
Poids	3,9 kg (sans les câbles)
Puissance maximale de sortie	250 W × 2 (4 Ω) / 760 W × 1 (4 Ω)
Puissance continue de sortie	125 W × 2 (pour 14,4 V, 4 Ω, 20 Hz à 20 kHz, avec une DHT de 0,2%) 380 W × 1 (pour 14,4 V, 4 Ω, 20 Hz à 20 kHz, avec une DHT de 0,8%) 190 W × 2 (pour 14,4 V, 2 Ω, 20 Hz à 20 kHz, avec une DHT de 0,8%)
Impédance de charge	4 Ω (2 Ω à 8 Ω permis) (Montage ponté: 4 Ω à 8 Ω permis)
Réponse en fréquence	10 Hz à 50 kHz (+0 dB, -1 dB)
Rapport signal/bruit	95 dB (Réseau IHF-A)
Distorsion	0,015% (10 W, 1 kHz)
Séparation des voies	70 dB (1 kHz)
Filtre passe-bas	Fréquence de coupure: 80 Hz Pente: -12 dB/oct.
Accentuation des graves	Fréquence: 50 Hz Niveau: 0 dB/6 dB/12 dB
Commande du gain	RCA: 400 mV à 6,5 V Haut-parleur: 1,6 V à 26 V
Niveau maximale / impédance d'entrée	RCA: 6,5 V / 22 kΩ Haut-parleur: 26 V / 40 kΩ

Puissance de sortie	125 W eff. × 2 voies (4 Ω et ≤ 1 % DHT+N) 380 W eff. × 1 voie (4 Ω et ≤ 1 % DHT+N) 190 W eff. × 2 voies (2 Ω et ≤ 1 % DHT+N)
Rapport signal/bruit	75 dBA (Référence: 1 W sur 4 Ω)



Remarque:

- Les caractéristiques et la présentation peuvent être modifiées sans avis préalable à fin d'amélioration.
- * Consommation moyenne de courant**
- Le courant moyen est proche du courant maximal lorsqu'un signal audio est appliqué à l'entrée de l'amplificateur. Utilisez cette valeur lorsque vous désirez calculer le courant total consommé par plusieurs amplificateurs de puissance.

Gracias por haber adquirido este producto PIONEER. Este producto ha sido diseñado para le proporcionar muchos años de disfrute. PIONEER SUGIERE QUE SE PIDA LA INSTALACIÓN A UN ESPECIALISTA DE INSTALACIÓN DEBIDO A LA COMPLEJIDAD DE ESTE PRODUCTO. Lea todas las instrucciones y **ADVERTENCIAS** en este manual antes de intentar operar el producto. En caso de cuestiones, póngase en contacto con su revendedor autorizado de Pioneer o con un especialista de instalación más próximo.

Servicio posventa para productos Pioneer

Póngase en contacto con el revendedor o distribuidor al que compró este producto para obtener el servicio posventa (incluidas las condiciones de garantía) o cualquier otra información. En caso de que no esté disponible la información necesaria, póngase en contacto con las empresas enumeradas abajo. No envíe su producto para su reparación a las empresas cuyas direcciones se indican abajo sin haberse puesto antes en contacto con ellas.

■ **EE.UU.**

Pioneer Electronics (USA) Inc.
CUSTOMER SUPPORT DIVISION
P.O. Box 1760
Long Beach, CA 90801-1760
800-421-1404

■ **CANADÁ**

Pioneer Electronics of Canada, Inc.
CUSTOMER SATISFACTION
DEPARTMENT
300 Allstate Parkway
Markham, Ontario L3R 0P2
1-877-283-5901

Para obtener información sobre la garantía, véase la hoja de Garantía limitada adjunta a este producto.

Registro del producto

Visítenos en el siguiente sitio:



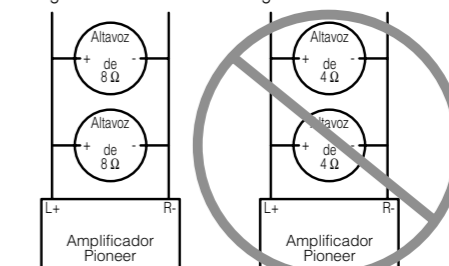
- Registre su producto. Conservaremos los datos de su compra archivados para que pueda consultar esta información en el caso de que deba efectuar un reclamo al seguro ante una eventualidad tal como pérdida o robo.
- Reciba informes actualizados sobre los últimos productos y tecnologías.
- Descargue manuales de instrucciones, solicite catálogos de productos, busque nuevos productos y disfrute de muchos beneficios más.

⚠ PRECAUCION

No reemplace nunca el fusible por uno con un valor de régimen mayor que el fusible original. El uso de un fusible inadecuado podría causar el sobrecalentamiento o humo, así como podría causar daños al producto y lesiones, incluyendo quemaduras.

⚠ PRECAUCION

Diagrama A - Correcto Diagrama B - Incorrecto



Modo de conexión en puente de 4 Ω

Modo de conexión en puente de 2 Ω

NO instale o use el amplificador Pioneer mediante la conexión de los cables de las bocinas de 4 Ω nominales (o menos) en paralelo para lograr un modo en puente de 2 Ω (o menos) (Diagrama B). Realizar un puente incorrecto podría resultar en un sobrecalentamiento y daño del amplificador, así como en un desprendimiento de humo del mismo. La superficie del amplificador podría también ponerse caliente al tacto y resultar en quemaduras ligeras. Para instalar o usar adecuadamente el modo de puente para un amplificador de dos canales y lograr una carga de 4 Ω, conecte los cables de dos bocinas de 8 Ω en paralelo con Izquierdo + y Derecho - (Diagrama A), o use una sola bocina de 4 Ω. Para un amplificador de cuatro canales, siga el diagrama de la conexión de salida de la bocina para crear un puente como se muestra en la parte posterior del amplificador, y conecte los cables de dos bocinas de 8 Ω en paralelo para lograr una carga de 4 Ω o use una sola bocina de 4 Ω por canal. Si tiene preguntas o dudas, comuníquese con el distribuidor Pioneer autorizado en su localidad o llame al Servicio al Cliente de Pioneer.

ADVERTENCIA

- Siempre utilice el cable de batería rojo especial y el cable de tierra [RD-223], vendidos separadamente. Conecte el cable de batería directamente al terminal positivo de la batería del vehículo (+) y el cable de tierra a la carrocería del vehículo.
- No toque en el amplificador con las manos mojadas. Caso contrario, usted puede llevar un choque eléctrico. Igualmente, no toque en el amplificador cuando esté mojado.
- Para seguridad del tráfico y para mantener condiciones de conducción seguras, mantenga el volumen suficientemente bajo de manera que aun se pueda escuchar el sonido del tráfico normal.
- Verifique las conexiones del suministro de energía y altavoces para ver si el fusible del cable de batería vendido separadamente o el fusible del amplificador se queman. Detecte la causa y solucione el problema, y reemplace el fusible con un otro del mismo tamaño y régimen.
- Para evitar mal funcionamiento del amplificador y altavoces, el circuito de protección cortará la alimentación al amplificador (el sonido se detendrá) cuando se produzca una situación anormal. En tal caso, apague el sistema y verifique la conexión de la alimentación y altavoces. Detecte la causa y resuelva el problema.
- Contacte a su distribuidor si no puede detectar la causa.
- Para evitar choques eléctricos o cortocircuitos durante la conexión e instalación, asegúrese de desconectar el terminal negativo (-) de la batería antes de proceder.
- Confirme que ninguna parte quede detrás del panel, cuando perforo un orificio para la instalación del amplificador. Asegúrese de proteger todos los cables y equipos importantes, tales como líneas de combustibles, líneas de frenos y el cableado eléctrico.
- NO permita que el amplificador entre en contacto con líquidos debido a, por ejemplo, la localización donde el amplificador esté instalado. Esto podría causar una sacudida eléctrica. El contacto con líquidos también podría causar daños y sobrecalentamiento al amplificador e altavoces. Además, la superficie del amplificador y la superficie de cualquier altavoz instalado también podrían ponerse muy calientes al tacto, pudiendo causar pequeñas quemaduras.

Indicador de alimentación

El indicador de alimentación se ilumina cuando la unidad se encuentra activada.

Control de ganancia

Si el nivel del sonido está muy bajo, aún cuando se aumenta el volumen del equipo estéreo para automóvil usado con este amplificador de potencia, gire a la derecha el control de ganancia en la parte delantera del amplificador de potencia. Si hay distorsión del sonido cuando se aumenta el volumen del equipo estéreo de automóvil, gire los controles a la izquierda.

- Cuando se usa un estéreo de automóvil equipado con RCA (salida estándar de 500 mV), ajuste a la posición NORMAL. Cuando use con un estéreo de automóvil Pioneer equipado con RCA con una salida máxima de 4 V o más, ajuste el nivel para adecuarse al nivel de salida del estéreo del automóvil.
- Si se oye ruido excesivo cuando se usan los terminales de entrada de altavoz, gire el control de nivel a la izquierda.

Interruptor BFC (Control de la frecuencia de batido)

Si escucha sonidos de batido mientras está recibiendo una emisora de AM con su estéreo de automóvil, cambie el interruptor BFC usando un destornillador pequeño.

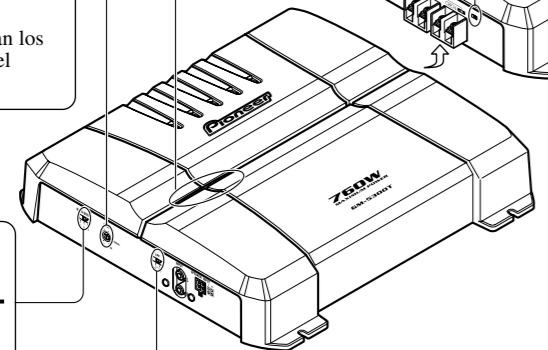
Interruptor del control del nivel de refuerzo de graves

Se puede seleccionar un nivel de refuerzo de graves de 0 dB, 6 dB y 12 dB.

Interruptor de selección LPF (Filtro de paso bajo)

Ajuste el interruptor de selección LPF de la manera siguiente, de acuerdo al tipo de altavoz que se encuentra conectado al conector de salida de altavoz y al sistema estéreo de automóvil:

Interruptor de selección LPF	Gama de frecuencia de audio a ser generada	Tipo de altavoz	Observaciones
LPF (derecha)	80 Hz o menos con pendiente de corte de -12 dB/oct.	Altavoz de graves secundario	Conecte a un altavoz de graves secundario.
OFF (izquierda)	Gama completa	Gama completa	

**PRECAUCIÓN**

- Quite el terminal negativo (-) de la batería para evitar riesgo de cortocircuitos y daño a la unidad.
- Asegure el alambrado con abrazaderas de cable o cinta adhesiva. Para proteger el alambrado, envuelva cinta adhesiva alrededor de ellos en donde contacta con partes metálicas.
- No tienda cables por donde puedan calentarse, por ejemplo donde el calentador sopla sobre ellos. Si la aislación se calienta, podría resultar dañada, resultando en cortocircuito a través de la carrocería del vehículo.
- Asegúrese que los alambres no interfieran con partes móviles del vehículo como la palanca de cambios, el freno de mano o el mecanismo de deslizamiento de los asientos.

PRECAUCIÓN:**Para evitar daños y/o lesiones**

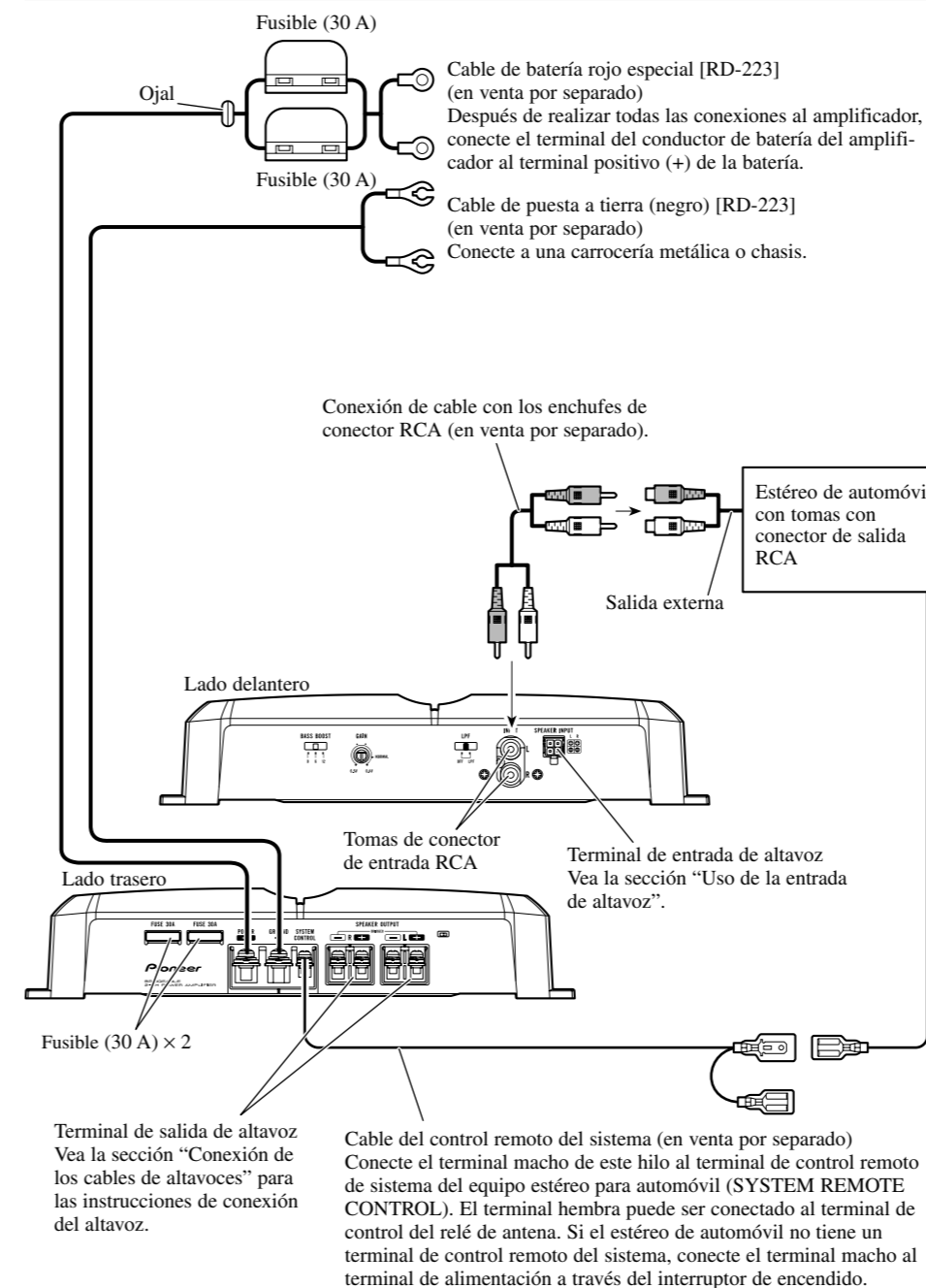
- No conecte a tierra (masa) el cable del altavoz directamente ni conecte un cable negativo (-) a varios altavoces.
- Esta unidad es para vehículos con una batería de 12 voltios y terminal negativo a tierra. Antes de instalar en un vehículo de recreación, camión u ómnibus, verifique el voltaje de la batería.
- Si el sistema estereofónico del coche está funcionando por un largo período de tiempo mientras el motor permanece inactivo o en marcha al ralentí, la batería puede agotarse. Apague el estéreo de automóvil cuando el motor se encuentre funcionando en marcha al ralentí o permanece inactivo.
- Si el cable del control remoto del sistema del amplificador se conecta al terminal de alimentación a través del interruptor de encendido (12 V de CC), el amplificador estará siempre activado cuando el encendido está activado, sin considerar de si el estéreo de automóvil se encuentra activado o desactivado. Debido a esto, la batería puede agotarse si deja el motor funcionando en marcha al ralentí o permanece inactivo.

- No corte ningún cable. De otra manera, el circuito de protección podría no funcionar cuando debiera.
- Nunca alimente otro equipo cortando la aislación del cable de alimentación y conectándolo al cable. La capacidad de corriente del cable será excedida, causando sobrecalentamiento.
- No reemplace nunca el fusible por uno con un valor de régimen mayor que el fusible original. El uso de un fusible inadecuado podría causar el sobrecalentamiento o humo, así como podría causar daños al producto y lesiones, incluyendo quemaduras.

- Los altavoces a ser conectados al amplificador deben estar conforme con las normas listadas debajo. Si no cumplen con las normas, pueden combustionar, emitir humos o dañarse. La impedancia del altavoz debe ser de 2 Ω a 8 Ω para conexiones estéreo, y de 4 Ω a 8 Ω para conexiones monaurales y acoplamientos en derivación.
- Instale y coloque el cable de batería vendido separadamente lo más alejado posible de los cables de los altavoces. Instale y coloque el cable de batería y cable de tierra vendidos separadamente, los cables de los altavoces, y el amplificador lo más alejados posible de la antena, cable de antena y sintonizador.

- Los cables para esta unidad y aquéllas para las unidades pueden ser de colores diferentes aun si tienen la misma función. Cuando se conecta esta unidad a otra, refiérase a los manuales de ambas unidades y conecte los cables que tienen la misma función.

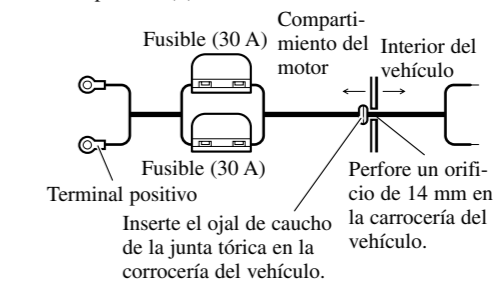
Canal de altavoces	Tipo de altavoz	Alimentación
Dos canales	Altavoz de graves secundario	Entrada nominal: 120 W mín.
	Diferente a un altavoz de graves secundario	Entrada máxima: 250 W mín.
Un canal	Altavoz de graves secundario	Entrada nominal: 420 W mín.
	Diferente a un altavoz de graves secundario	Entrada máxima: 760 W mín.

Diagrama de conexión**Conexión del terminal de alimentación**

- Siempre utilice el cable de batería rojo especial y el cable de tierra [RD-223], vendidos separadamente. Conecte el cable de batería directamente al terminal positivo de la batería del vehículo (+) y el cable de tierra a la carrocería del vehículo.

1. Pase el cable de batería desde el compartimiento del motor al interior del vehículo.

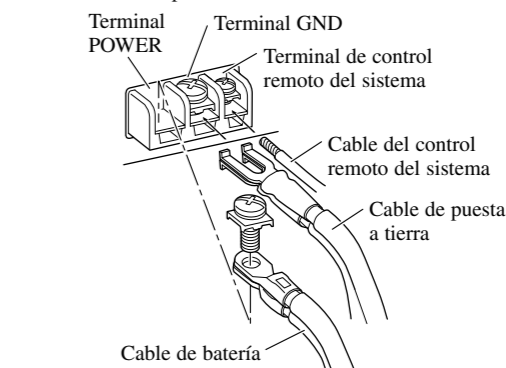
- Luego de hacer todas las otras conexiones al amplificador, conecte el terminal del conductor de batería del amplificador al terminal positivo (+) de la batería.

**2. Tuerza el cable de batería, cable de puesta a tierra y cable de control remoto del sistema.****3. Fije las orejetas a los extremos de los cables. Orejetas no suministradas.**

- Utilice alicates, etc. para plegar las orejetas a los cables.

4. Conecte los cables al terminal.

- Fijar los cables firmemente utilizando los tornillos para terminales.

**ADVERTENCIA**

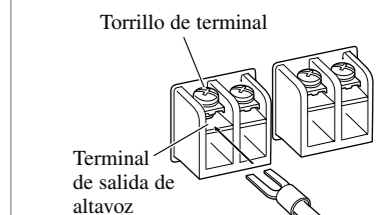
Dejar de apretar firmemente el cable de puesta a tierra al terminal usando los tornillos para terminales podría causar el sobrecalentamiento del área de los terminales, así como podría causar daños y lesiones incluyendo pequeñas quemaduras.

Conexión del terminal de salida de altavoz**1. Desnude la extremidad de los cables de altavoces utilizando alicates o una tajadera por aproximadamente 10 mm y tuérzala.****2. Fije las orejetas a los extremos de los cables de altavoz. Orejetas no suministradas.**

- Utilice alicates, etc. para plegar las orejetas a los cables.

3. Conecte los cables de altavoz al terminal de salida de altavoz.

- Fije los cables firmemente utilizando los tornillos para terminales.

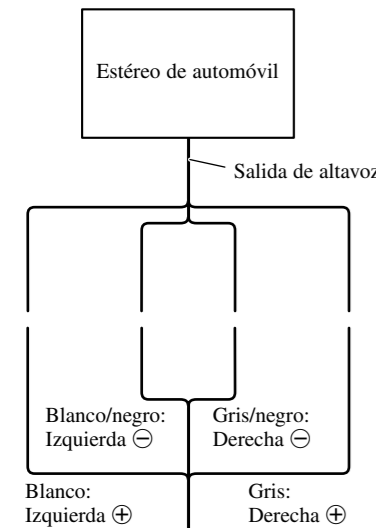


Uso de la entrada de altavoz

Conecte los hilos de la salida de altavoz del estéreo de automóvil al amplificador usando el conector de entrada de altavoz suministrado.

- No poder conectar tanto la entrada de RCA y la entrada de altavoz al mismo tiempo.

Conexiones cuando se usa la entrada de altavoz



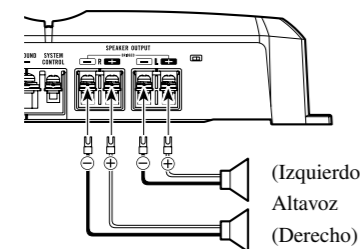
Conector de entrada de altavoz
Al terminal de entrada de altavoz de esta unidad.

Conexión de los cables de altavoces

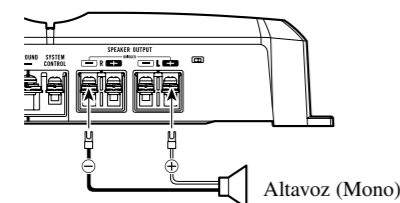
El modo de salida de altavoces puede ser en dos canales (estéreo) o uno canal (mono). Conecte los cables de altavoz para ajustarse al modo según los diagramas mostrados abajo.

- No poder conectar tanto la entrada de RCA y la entrada de altavoz al mismo tiempo.

Modo de dos canales (estéreo)



Modo de uno canal (mono)



PRECAUCION

- No lo instale en:
 - Donde podría lesionar al conductor o a los pasajeros si se detiene el vehículo bruscamente.
 - Donde podría interferir con el conductor, como por ejemplo en el piso en frente al asiento del conductor.
- Asegúrese que los cables no se enganchen en el mecanismo deslizante de los asientos, resultando en cortocircuito.
- Confirme que ninguna parte quede detrás del panel, cuando perfore un orificio para la instalación del amplificador. Asegúrese de proteger todos los cables y equipos importantes, tales como líneas de combustibles, líneas de frenos y el cableado eléctrico.
- Instale los tornillos de conexión de manera tal que la punta del tornillo no toque ningún cable. Esto es importante para evitar que los cables se corten por vibración del automóvil, lo que podría causar un incendio.
- NO permita que el amplificador entre en contacto con líquidos debido a, por ejemplo, la localización donde el amplificador esté instalado. Esto podría causar una sacudida eléctrica. El contacto con líquidos también podría causar daños y sobrecalentamiento al amplificador e altavoces. Además, la superficie del amplificador y la superficie de cualquier altavoz instalado también podrían ponerse muy calientes al tacto, pudiendo causar pequeñas quemaduras.
- Para asegurar una instalación apropiada, utilice las partes suministradas de la manera especificada. Si se utiliza cualquier otra parte que no sean las suministradas, puede dañarse las partes internas del amplificador, o pueden aflojarse y el amplificador puede dejar de funcionar.
- No reemplace nunca el fusible por uno con un valor de régimen mayor que el fusible original. El uso de un fusible inadecuado podría causar el sobrecalentamiento o humo, así como podría causar daños al producto y lesiones, incluyendo quemaduras.

PRECAUCION:

Para evitar fallas de funcionamiento y/o lesiones

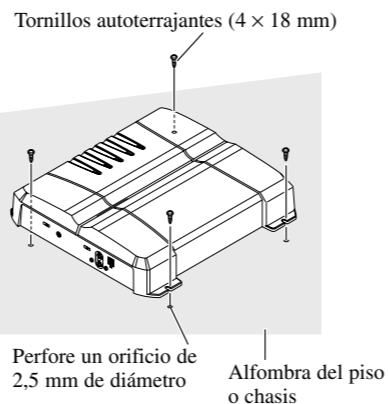
- Para asegurar la disipación de calor apropiada del amplificador, cuide de lo siguiente durante la instalación.
 - Permita un espacio adecuado en la parte superior del amplificador para una ventilación apropiada.
 - No cubra el amplificador con la cubierta de piso o alfombra.
- NO permita que el amplificador entre en contacto con líquidos debido a, por ejemplo, la localización donde el amplificador esté instalado. Esto podría causar una sacudida eléctrica. El contacto con líquidos también podría causar daños y sobrecalentamiento al amplificador e altavoces.

Además, la superficie del amplificador y la superficie de cualquier altavoz instalado también podrían ponerse muy calientes al tacto, pudiendo causar pequeñas quemaduras.

- No instale el amplificador sobre superficies inestables como el tablero del neumático de repuesto.
- Confirme que ninguna parte quede detrás del panel, cuando perfore un orificio para la instalación del amplificador. Asegúrese de proteger todos los cables y equipos importantes, tales como líneas de combustibles, líneas de frenos y el cableado eléctrico.
- Realice primero conexiones provisionarias y compruebe que el amplificador y el sistema operan adecuadamente.
- Para asegurar una instalación apropiada, utilice las partes suministradas de la manera especificada. Si se utiliza cualquier otra parte que no sean las suministradas, puede dañarse las partes internas del amplificador, o pueden aflojarse y el amplificador puede dejar de funcionar.

Ejemplo de instalación en la alfombra del piso o en el chasis

- Ubique el amplificador en la posición en donde va a ser instalado. Inserte los tornillos autoterrajantes suministrados (4 x 18 mm) en los orificios de los tornillos. Presione los tornillos con un destornillador de modo que puedan dejar puntos marcados de la posición en donde irán los orificios para la instalación.
- Perfore orificios de 2,5 mm de diámetro en el punto marcado, e instale el amplificador, ya sea en la alfombra o directamente en el chasis.



Alimentación	CC 14,4 V (10,8 V a 15,1 V permisible)
Sistema de puesta a tierra	Tipo negativo
Consumo de corriente	30,0 A (potencia continua, 4 Ω)
Consumo de corriente promedio*	10,0 A (4 Ω para dos canales) 19,0 A (4 Ω para uno canal)
Fusible	30 A x 2
Dimensiones	300 mm (An) x 60 mm (Al) x 334 mm (Pr)
Peso	3,9 kg (No se incluyen los conductores para el cableado)
Potencia de salida máxima	250 W x 2 (4 Ω) / 760 W x 1 (4 Ω)
Potencia de salida continua.....	125 W x 2 (en 14,4 V, 4 Ω, 20 Hz a 20 kHz, 0,2% THD) 380 W x 1 (en 14,4 V, 4 Ω, 20 Hz a 20 kHz, 0,8% THD) 190 W x 2 (en 14,4 V, 2 Ω, 20 Hz a 20 kHz, 0,8% THD)
Impedancia de carga	4 Ω (2 Ω a 8 Ω permisible) (Acoplamiento en derivación: 4 Ω a 8 Ω permisible)
Respuesta de frecuencia.....	10 Hz a 50 kHz (+0 dB, -1 dB)
Relación de señal a ruido	95 dB (IHF-Red A)
Distorsión	0,015% (10 W, 1 kHz)
Separación de canales	70 dB (1 kHz)
Filtro de paso bajo	Frecuencia de corte: 80 Hz Pendiente de corte: -12 dB/oct
Refuerzo de graves	Frecuencia: 50 Hz Nivel: 0 dB/6 dB/12 dB
Control de ganancia	RCA: 400 mV a 6,5 V Altavoz: 1,6 V a 26 V
Impedancia / nivel de entrada máxima	RCA: 6,5 V / 22 kΩ Altavoz: 26 V / 40 kΩ

Potencia de salida	125 W RMS x 2 canales (4 Ω y $\leq 1\%$ THD+N) 380 W RMS x 1 canal (4 Ω y $\leq 1\%$ THD+N) 190 W RMS x 2 canales (2 Ω y $\leq 1\%$ THD+N)
Relación de señal a ruido	75 dBA (Referencia: 1 W en 4 Ω)



Nota:

- Las especificaciones y el diseño están sujetos a posibles modificaciones sin previo aviso debido a mejoramientos.

*Consumo de corriente promedio

- El consumo de corriente promedio es casi el consumo de corriente máximo de esta unidad, cuando se ingresa una señal de audio. Utilice este valor cuando tenga que trabajar con la corriente total consumida por múltiples amplificadores de potencia.

Free Manuals Download Website

<http://myh66.com>

<http://usermanuals.us>

<http://www.somanuals.com>

<http://www.4manuals.cc>

<http://www.manual-lib.com>

<http://www.404manual.com>

<http://www.luxmanual.com>

<http://aubethermostatmanual.com>

Golf course search by state

<http://golfingnear.com>

Email search by domain

<http://emailbydomain.com>

Auto manuals search

<http://auto.somanuals.com>

TV manuals search

<http://tv.somanuals.com>