

**UNIVERSAL  
MULTI-CD SYSTEM  
SYSTEME DE CD  
MULTIPLE UNIVERSEL**

**130FM677**



**Operation Manual**

**CDX-FM677**

**Mode d'emploi**

***Pioneer***

# Contents/Table des matières

## English

|   |       |
|---|-------|
| Dear Customer .....                               | 3     |
| Precautions .....                                 | 4     |
| Preparing to Use the Remote Controller Unit ..... | 5     |
| Precautions .....                                 | 5     |
| Loading Battery .....                             | 5     |
| Using the Compact Discs Magazine .....            | 6~8   |
| Inserting discs .....                             | 6~7   |
| Loading the magazine .....                        | 8     |
| Playing Compact Discs .....                       | 9~22  |
| Start the CD player .....                         | 9     |
| Disc Number Search .....                          | 9     |
| Using Track Search/Fast Forward and Reverse ..... | 10    |
| Pausing .....                                     | 11    |
| Repeat .....                                      | 11    |
| Random Play .....                                 | 12    |
| ITS (Instant Track Selection) .....               | 13~15 |
| Disc Title .....                                  | 16~19 |
| Setting Player to Play Discs via Radio .....      | 20~21 |
| Display shows this message .....                  | 22    |
| Pressing the Clear Button .....                   | 23    |
| Discs .....                                       | 23    |
| Transportation of multi-CD player .....           | 24    |
| Specifications .....                              | 25    |

## Français

|   |       |
|---|-------|
| Cher Client .....   | 27    |
| Précautions .....   | 28    |
| Avant d'utiliser la télécommande .....  | 29    |
| Précautions .....   | 29    |
| Mise en place de la pile .....  | 29    |
| Utilisation du chargeur de disque compact .....                                     | 30~32 |
| Mise en place des disques .....   | 30~31 |
| Mise en place d'un chargeur .....   | 32    |
| Lecture de disques compacts .....   | 33~46 |
| Commandez la lecture du CD .....  | 33    |
| Recherche de numéro de disque .....   | 33    |
| Utilisation de la recherche de plage/<br>de l'avance rapide et de l'inversion ..... | 34    |
| Pause .....   | 35    |
| Répétition .....  | 35    |
| Lecture aléatoire .....   | 36    |
| ITS (Sélection de plage instantanée) .....  | 37~39 |
| Titre de disques .....  | 40~43 |
| Réglage du lecteur pour la lecture de<br>disques via la radio .....                 | 44~45 |
| Affichage du message .....  | 46    |
| En appuyant sur la touche d'effacement .....  | 47    |
| Disques .....   | 47    |
| Transport du lecteur de CD à chargeur .....   | 48    |
| Spécifications .....  | 49    |



## Dear Customer:

Selecting fine audio equipment such as the unit you've just purchased is only the start of your musical enjoyment. Now it's time to consider how you can maximize the fun and excitement your equipment offers. This manufacturer and the Electronic Industries Association's Consumer Electronics Group want you to get the most out of your equipment by playing it at a safe level. One that lets the sound come through loud and clear without annoying blaring or distortion—and, most importantly, without affecting your sensitive hearing.

Sound can be deceiving. Over time your hearing "comfort level" adapts to higher volumes of sound. So what sounds "normal" can actually be loud and harmful to your hearing. Guard against this by setting your equipment at a safe level BEFORE your hearing adapts.

### To establish a safe level:

- Start your volume control at a low setting.
- Slowly increase the sound until you can hear it comfortably and clearly, and without distortion.

### Once you have established a comfortable sound level:

- Set the dial and leave it there.

Taking a minute to do this now will help to prevent hearing damage or loss in the future. After all, we want you listening for a lifetime.

## We Want You Listening For A Lifetime

Used wisely, your new sound equipment will provide a lifetime of fun and enjoyment. Since hearing damage from loud noise is often undetectable until it is too late, this manufacturer and the Electronic Industries Association's Consumer Electronics Group recommend you avoid prolonged exposure to excessive noise. This list of sound levels is included for your protection.

### Decibel

#### Level Example

|    |   |
|----|---|
| 30 | Quiet library, soft whispers                                      |
| 40 | Living room, refrigerator, bedroom away from traffic              |
| 50 | Light traffic, normal conversation, quiet office                  |
| 60 | Air conditioner at 20 feet, sewing machine                        |
| 70 | Vacuum cleaner, hair dryer, noisy restaurant                      |
| 80 | Average city traffic, garbage disposals, alarm clock at two feet. |

### THE FOLLOWING NOISES CAN BE DANGEROUS UNDER CONSTANT EXPOSURE

|     |   |
|-----|---|
| 90  | Subway, motorcycle, truck traffic, lawn mower       |
| 100 | Garbage truck, chain saw, pneumatic drill           |
| 120 | Rock band concert in front of speakers, thunderclap |
| 140 | Gunshot blast, jet plane                            |
| 180 | Rocket launching pad                                |

Information courtesy of the Deafness Research Foundation.



# Precautions

**CAUTION:**

USE OF CONTROL OR ADJUSTMENT OR PERFORMANCE OF PROCEDURES OTHER THAN THOSE SPECIFIED HEREIN MAY RESULT IN HAZARDOUS RADIATION EXPOSURE.

**CAUTION:**

THE USE OF OPTICAL INSTRUMENTS WITH THIS PRODUCT WILL INCREASE EYE HAZARD.

**NOTES:**

THIS DEVICE COMPLIES WITH PART 15 OF THE FCC RULES. OPERATION IS SUBJECT TO THE FOLLOWING CONDITIONS: (1)THIS DEVICE MAY NOT CAUSE HARMFUL INTERFERENCE, AND (2)THIS DEVICE MUST ACCEPT ANY INTERFERENCE RECEIVED, INCLUDING INTERFACE THAT MAY CAUSE UNDESIRE OPERATION.

CHANGES OR MODIFICATIONS TO THIS PRODUCT BY OTHER THAN AN AUTHORIZED SERVICE FACILITY COULD VOID AUTHORIZATION TO USE THIS EQUIPMENT.

SHOULD THE USE OF THIS PRODUCT CAUSE HARMFUL INTERFERENCE WITH ANY RADIO DEVICES, CONTACT YOUR DEALER.

THE USE OF THIS PRODUCT MAY CAUSE A NOTICEABLE LOSS IN **AM** SIGNAL RECEPTION. THIS IS NOT A MALFUNCTION BUT IS PART OF THE NORMAL OPERATION OF THIS MODEL.

- *When you use this universal multi-CD system, the effective sensitivity of your radio will be reduced slightly.*
- *When you turn the car radio off, the system stays on. If you leave it on for a long time, the car battery may go flat.*
- *You can connect this unit to a Multi-CD controller (e.g. a head unit) with an IP-BUS cable (sold separately). If you do this, refer to the manual provided with the Multi-CD controller before using it to operate this unit.*
- *With this player, you can use the ITS functions to store up to 99 tracks per disc. Even if the Head unit's manual indicates ITS memory is up to 24 tracks per disc, this player can store up to 99 tracks per disc.*
- *When driving on an uneven road, the player may not reproduce every sound properly.*
- *When this universal multi-CD system is connected to a vehicle's diversity antenna, there may be distortion if a station is broadcasting a strong signal on the frequency you're using for the system. If this occurs, switch to another frequency.*
- *During winter the inside of the vehicle may be very cold. If the heater is turned on and the player is used soon after, the disc or optical parts (prism, lens, etc.) may become misted up, and the player will not operate correctly. If the disc is misted up, wipe it with a soft cloth. If the optical parts are misted up, wait for about an hour for them to warm up. They will return to their normal condition.*
- *This product conforms to the track skip function of the CD-R disc. The tracks containing the track skip information are skipped over automatically.*

**After-sales service for Pioneer products**

Please contact the dealer or distributor from where you purchased the product for its after-sales service (including warranty conditions) or any other information. In case the necessary information is not available, please contact the companies listed below:

Please do not ship your product to the companies at the addresses listed below for repair without advance contact.

**U.S.A.**

Pioneer Electronics Service, Inc.  
CUSTOMER SERVICE DEPARTMENT  
P.O. Box 1760  
Long Beach, CA 90801  
800-421-1404

**CANADA**

Pioneer Electronics of Canada, Inc.  
CUSTOMER SERVICE DEPARTMENT  
300 Allstate Parkway  
Markham, Ontario L3R 0P2  
(905) 479-4411  
1-877-283-5901

For warranty information please see the Limited Warranty sheet included with your product.

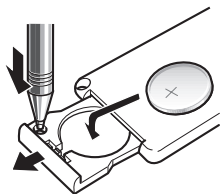
**Important**

The serial number of this device is located on the rear of the unit. For your own security and convenience, be sure to record this number on the enclosed warranty card.

## Precautions

- Keep the remote controller unit in an area not exposed to long periods of direct sunlight.
- The remote controller unit may not operate properly if the transmitter of the remote controller unit is pointed towards the floor or the seat of the vehicle.
- Since the transmitter employs an infrared system, it may not operate properly while car stereo unit is exposed to direct sunlight. In such a case, block the sunlight from the sensor and then perform the desired operation.
- If the remote controller fails to operate unless it is brought close to the unit, it may indicate that battery power is low. Replace the batteries in the remote controller.

## Loading Battery



**Remove the cover on the back of the remote controller unit and insert the battery with the (+) and (-) poles pointing in the proper direction.**

- Use only lithium battery "CR2025", 3 V.



### **WARNING:**

- Keep the Lithium Battery out of reach of children. Should the Battery be swallowed, immediately consult a doctor.

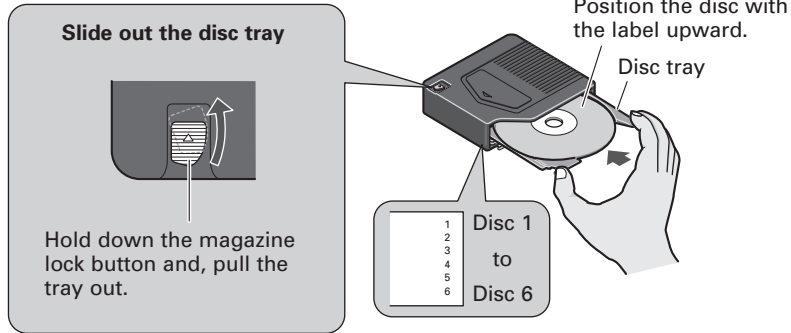


### **CAUTION:**

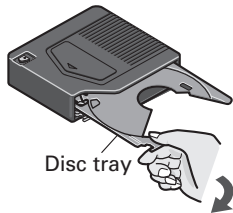
- Do not recharge, disassemble, heat or dispose of battery in fire.
- Use a CR2025 (3 V) Lithium Battery only. Never use other types of battery with this unit.
- Do not handle the battery with metallic tools.
- Do not store the Lithium Battery with metallic materials.
- When disposing of used batteries, please comply with governmental regulations or environmental public institution's rules that apply in your country/area.
- Always check carefully that you are loading battery with its (+) and (-) poles facing in the proper directions.

## Inserting discs

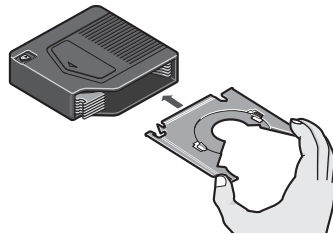
[Page 6~7]



## Changing disc trays



Gently pull the disc tray out.

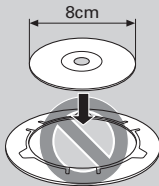


Align the disc tray with the left and right grooves, and push it in until you hear it click.

- Be sure to remove the disc before changing a disc tray.
- If the tray is not aligned with the right and left grooves, it cannot be pushed to the end. Do not bend or force the tray.
- Always load 6 trays in a magazine to prevent loss or warping of trays.
- If you load a disc with the label generally printed in black facing down, not only will the player not be able to recognize whether the disc is set or not, but also, the display unit will not display an error message to let you know about it. So make sure all the discs in each magazine have their label sides facing up.

### Notes on 8-cm (3-inch) CDs

Do not use an 8-cm CD adapter. If it is used, the player may fail. To load an 8-cm CD, you need a special 8-cm CD tray (Part No. CXB5931). Ask your Pioneer service station about it.



### Precautions when handling magazines

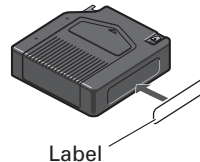
- Do not put the magazine in a place where it will be exposed to high temperatures or direct sunlight.
- Do not disassemble the magazine.
- Take care not to drop the magazine or knock it against anything.
- Do not use cracked or warped trays.
- Never insert anything other than discs. Do not attach a label or tape to a disc.
- The use of benzine, thinner, insecticide, or other volatile chemicals may damage the magazine surface.

### Extra magazines

If you need more magazines, please ask your nearest dealer for magazine JD-612V.

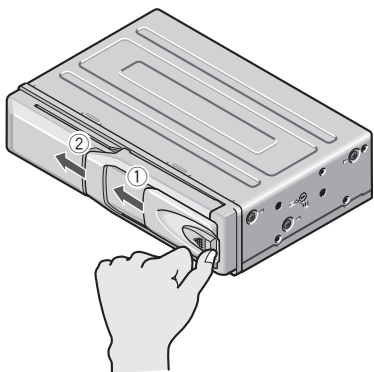
### Attaching the label

Attach the supplied label in the specified position. Attaching the label in an incorrect place or attaching more than one label will cause malfunction.

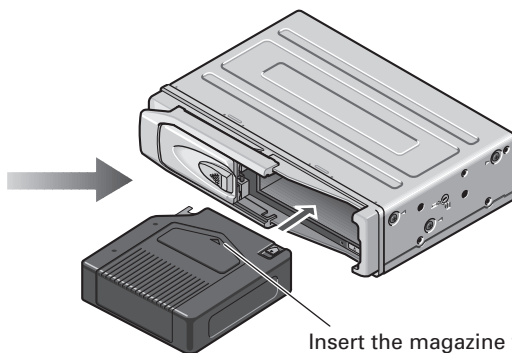


# Using the Compact Discs Magazine

## Loading the magazine



- ① Slide and open the door.
- ② Open it fully until it locks with a click.

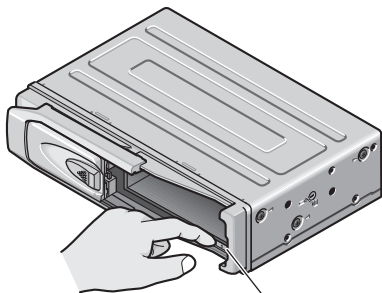


Insert the magazine.

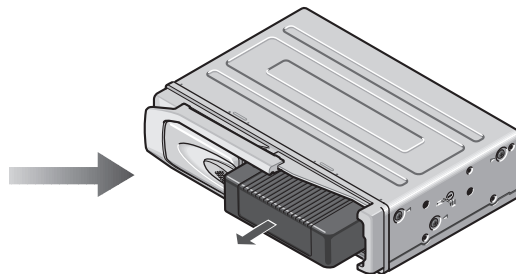
Insert the magazine with the arrow upward.

- Do not put your fingers in the magazine tray as this may lead to incorrect operation and damage to the player.
- If the label on the magazine is coming off or wrinkled up, it may damage the eject mechanism, and in some cases, the magazine may not be ejected. Therefore, remove a damaged label completely before use.
- Never leave the door open while playing discs. The entry of dirt, dust, or any other foreign matter into the player may cause it to fail.

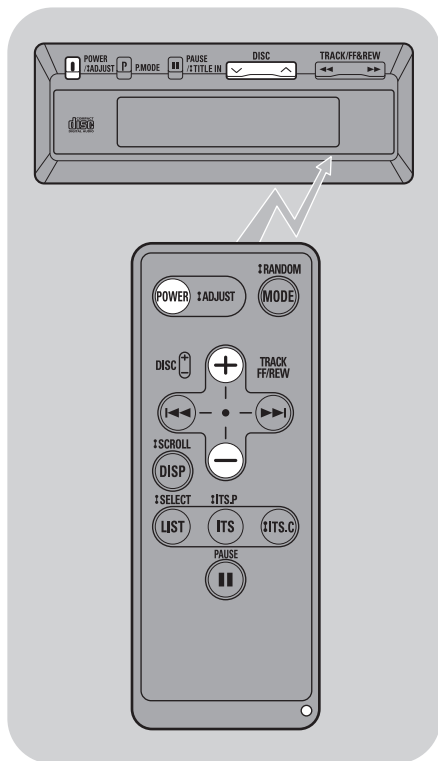
## To remove the magazine



Press the eject button.



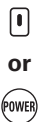




## Start the CD player

### 1. Switch the radio on and tune to Modulating Frequencies.

- The initial value is 89.1 MHz. (See Page 20 regarding switching CD player transmission frequency.)
- If your radio does not have muting, there may be some noise before power switch of control unit is ON. If this happens, turn down the volume of the radio.



### 2. Press button to switch on and start the player.

## Disc Number Search

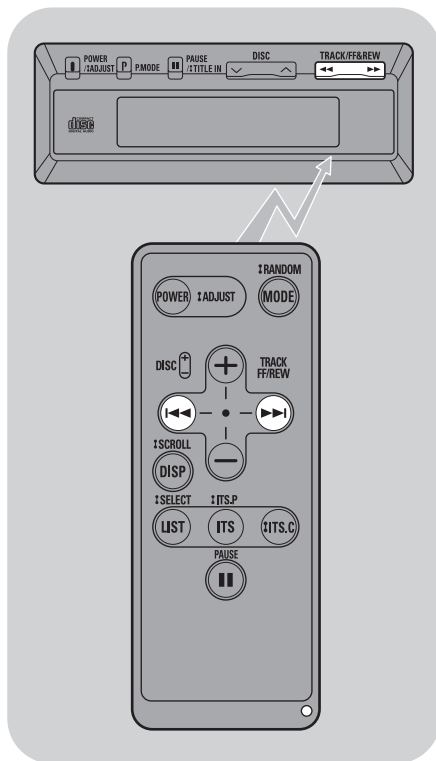


Disc Number

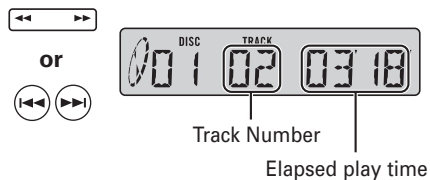
: increase the number.

: decrease the number.

# Playing Compact Discs



## Using Track Search/Fast Forward and Reverse

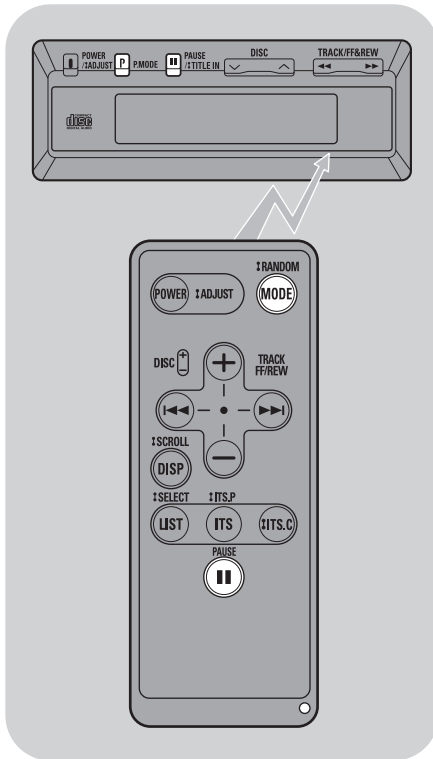


This product lets you select the track search function or fast forward/reverse function by changing the length of the time you press the button.

 : decrease the number.  
: Fast Reverse

 : increase the number.  
: Fast Forward

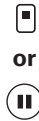
|                      |                     |
|----------------------|---------------------|
| Track search         | 0.5 seconds or less |
| Fast forward/Reverse | Continue pressing   |



## MEMO

- Changing to a different song or using fast forward or reverse during track repeat will cause the mode to change to disc repeat.
- Changing discs during track repeat or disc repeat will cause the mode to change to normal play.

## Pausing



or



**Press button to pause during disc playback.**

Press button again to release pause.

## MEMO

You can select a track using the track search during pause. ("PAUSE" is off while a track is being searched.) When the track search ends, the found track is paused at its beginning.

## Repeat

Track Repeat

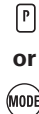


Play the current track repeatedly.

Disc Repeat



Play the same disc repeatedly.



or

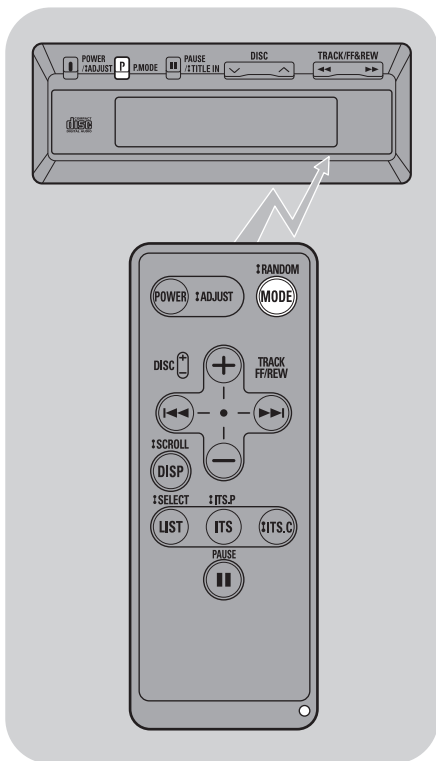


Normal play

Play all disc loaded in the magazine in the CD player repeatedly.

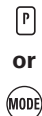
**Each press of button, the mode changes.**

# Playing Compact Discs



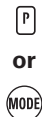
## Random Play

Example: Disc Repeat (See Page 11.)



1. Select the desired repeat mode.

Displayed during random play.



Random play will be performed within the selected repeat mode.

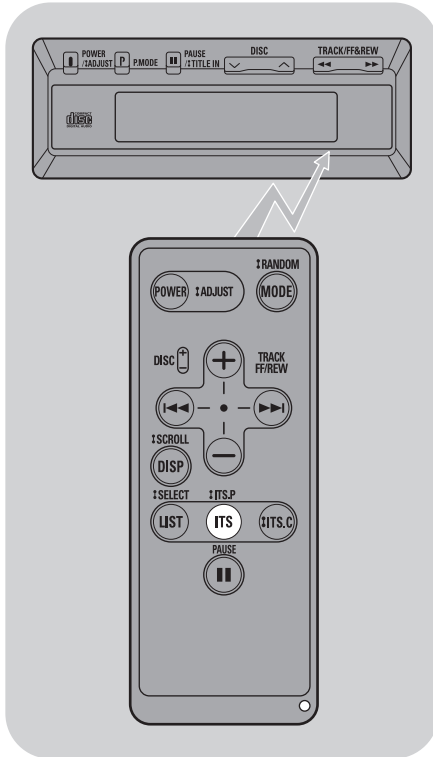
2. Hold down button for more than 2 second.

Once the current track has been played, the microprocessor will randomly select the next and subsequent tracks.

To cancel random play, hold down button for more than 2 seconds again.

### MEMO

If track repeat is selected as the repeat mode in step 1, it will automatically switch to disc repeat mode and random play will begin.



## ITS (Instant Track Selection)

[Page 13~15]

This function lets you program and play the tracks you want. You can listen to just your favorite tracks.

### Programming

1. Play the track you want to program.

2. Press button to program the track.

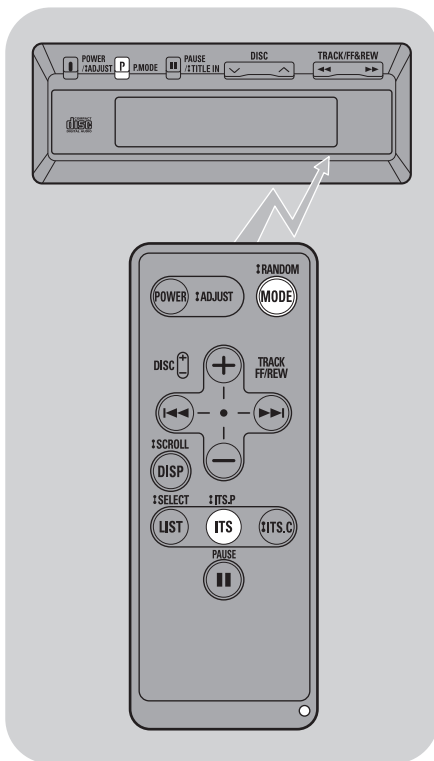


It will be displayed for about 2 seconds to indicate memory storage.

### MEMO

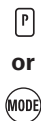
- The ADPS function\* of the multi-play CD player lets you program up to 100 discs.
- \* ADPS: Automatic Disc Program Selection.
- When the number of discs exceeds 100, the oldest disc that has been played in the past is overwritten by the newest.
- Up to 99 tracks can be programmed for a single disc.
- Tracks are programmed for each disc. Programmed tracks are not erased after the disc is changed.

# Playing Compact Discs



## ITS Play

Example : Disc Repeat (See Page 11.)



1. Select the desired repeat mode.

Displayed during ITS play.



ITS play will be performed within the selected repeat mode.

2. Hold down button for more than 2 seconds.

To cancel ITS play, hold down button for more than 2 seconds again.

## MEMO

- If track repeat is selected as the repeat mode in step 1, it will automatically switch to disc repeat mode and ITS play will begin.
- When you play a disc that has no tracks programmed, "EMPTY" will appear on the display for about 2 seconds, indicating that ITS play is not possible.
- During ITS play, both disc and track number search is performed only on programmed tracks.

## Erasing the ITS Play

To erase a single track program:

During ITS play, select the track you wish to erase by using track search.

Hold down button for more than 2 seconds to erase the program.

(When there are no more memorized tracks, "EMPTY" is displayed, and ITS play is canceled.)



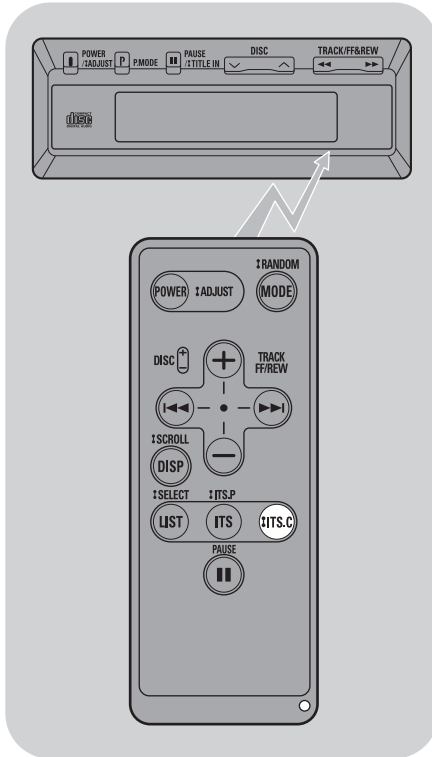
To erase the disc program:

During normal play, select the disc you wish to erase by using disc number search.

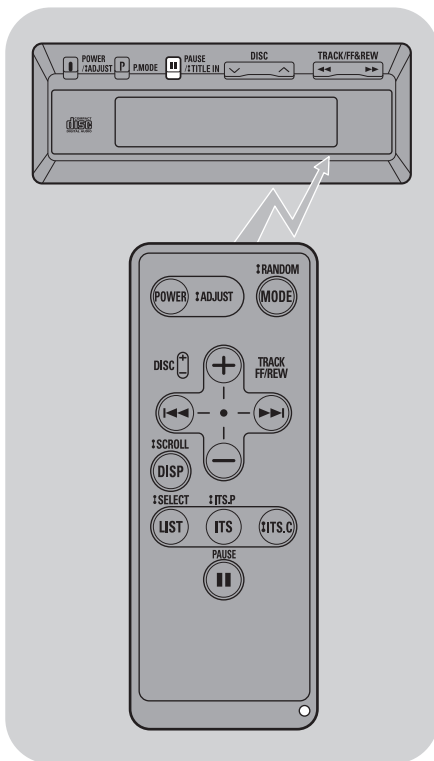
Hold down button for more than 2 seconds to erase the program.



It will be displayed for about 2 seconds to indicate deletion of memory contents in play.



# Playing Compact Discs



## Disc Title

[Page 16~19]

You can enter a title for the disc in the CD player. The title stored for the disc can be displayed.

### Entering Title

1. Select the disc for which you want to enter a title.

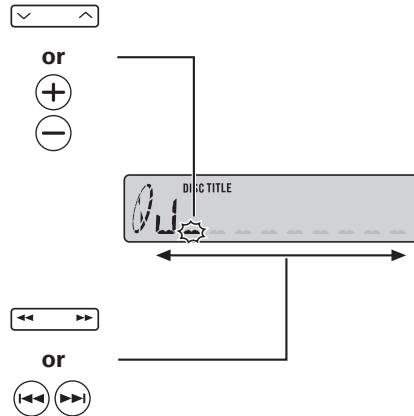
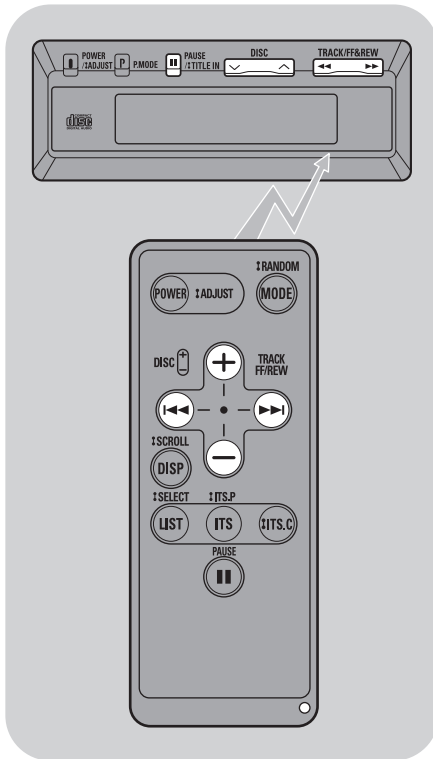
2. Hold down button for more than 2 seconds to select title input mode.



### MEMO

- You cannot switch to the Title Input mode while playing a CD TEXT disc.
- The ADPS function\* of the CD player lets you enter titles for up to 100 discs. (Up to 100 discs, including ITS, can be programmed.)  
\*ADPS: Automatic Disc Program Selection.
- A disc title can consist of up to 10 characters for a single disc.
- When the number of discs exceeds 100, the oldest disc that has been played in the past is overwritten by the newest.
- One title is stored for each disc. The title stored for a disc is not erased after the disc is changed.





### 3. Press the ◀ or ▶ side of button to select the input position.

The input position moves continuously when you hold down either side of the button.

### 4. Select characters using the + or - side of button.


When you hold down either side of the button, the character changes continuously.



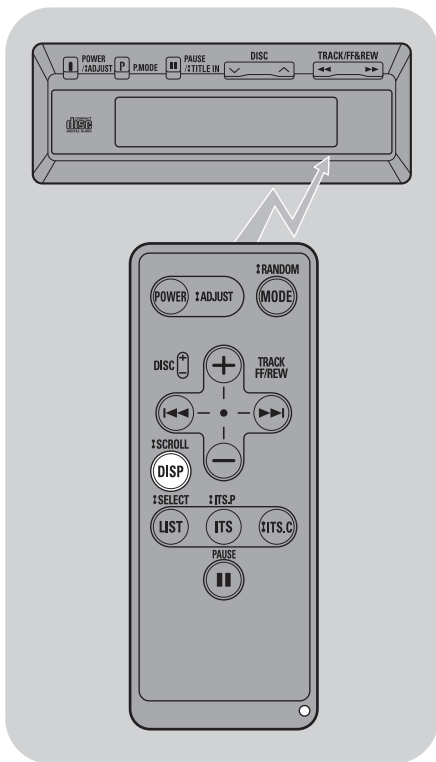
### 5. Select the input position farthest to the right and press the button to memorize.

The title will appear on the display.

## MEMO

To interrupt title input, press the  button for 2 seconds or more.

# Playing Compact Discs



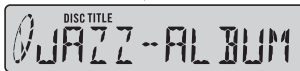
## Display Switching

Normal Operation



DISP

Disc Title



Each press of the button switches between display of track number (elapsed play time) and disc title indications.

- Normal Operation
- Disc Title
- Disc Artist Name
- Track Title
- Track Artist Name

When playing a CD TEXT disc, indications switch as shown on the left.

## MEMO

- When you perform any operation while the disc title is being displayed, the normal operation display will appear for 8 seconds.
- If TEXT data is not recorded on a CD TEXT disc, "NO ~" (e.g. NO TITLE) is displayed.

## CD TEXT Title Scroll

DISP



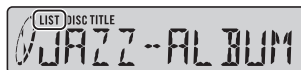
Press the button for more than 2 seconds to scroll CD TEXT titles.

## Disc Title List

You can list all discs loaded in the magazine being played. This function is convenient for checking discs in the magazine being played.

Each press of button displays the titles of the discs in magazine being played in ascending order of disc number.

LIST

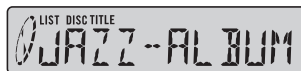


### MEMO

- The disc title is displayed for about 8 seconds, then the normal operation display returns.
- Nothing is displayed for discs having no titles.
- Trays with no discs are skipped.

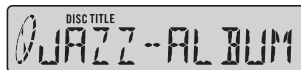
## Select the disc to be played from the disc list display

LIST

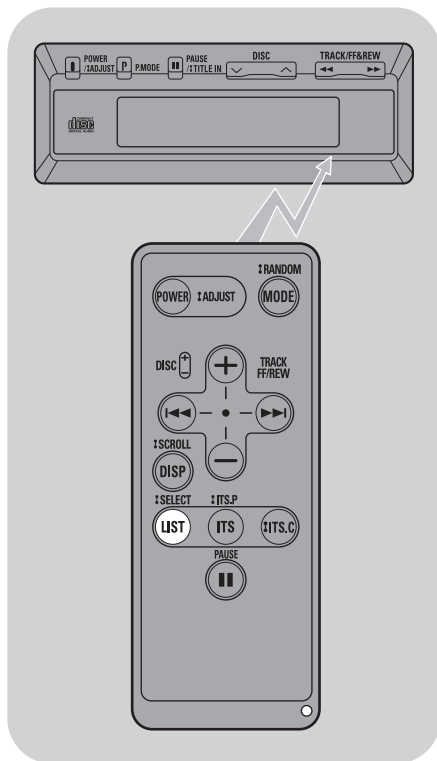


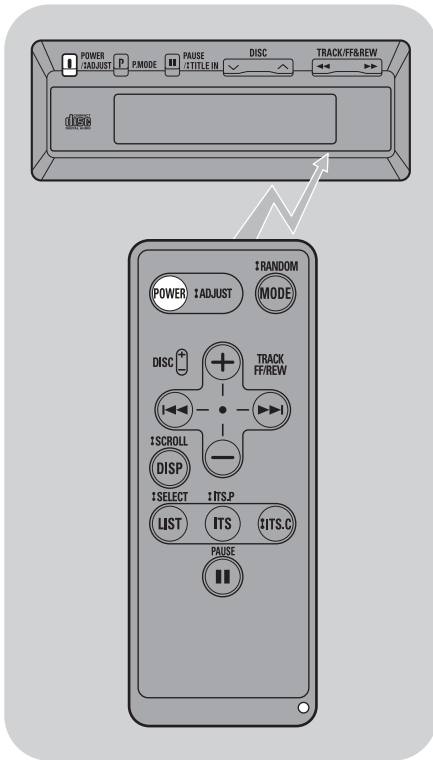
1. Press button to display the disc title list.

LIST



2. When the title of the disc you want to listen to is displayed, press button for more than 2 seconds.  
That disc is played.





## Setting Player to Play Discs via Radio [Page 20~21]

### Modulating frequencies selector

This system can change the frequency at which the FM car radio receives the CD audio signals within the range of 87.9 to 90.1 MHz in 0.2-MHz increments. (The initial setting is 89.1 MHz.) If there is a strong broadcast station signal near the current frequency, radio interference may occur. If it occurs, change the frequency.

### Source level adjuster

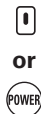
When you play discs, if the volume is low compared with that for FM increase the volume level. If the volume is high and there is distortion, decrease the volume level. (The initial setting is "LEVEL-4".)

### Pre-emphasis selector

Normally, set the pre-emphasis selector to "PRE-EMP 1". (The initial setting is "PRE-EMP 1".)

Play a disc. If you feel the treble is insufficient, switch the selector to "PRE-EMP 2" to boost the treble slightly.

- When the selector is set to "PRE-EMP 2", the sound may distort with some car radios. In this case, switch it back to "PRE-EMP 1".



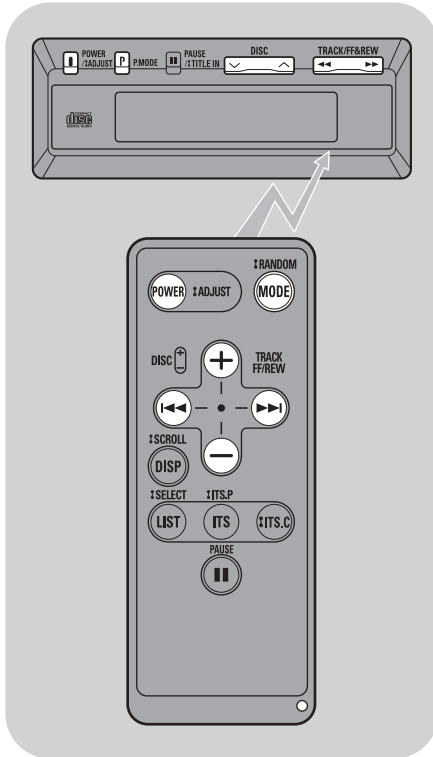
or



1. Hold down button for more than 2 seconds. The modulator setting mode will be entered, and the frequency will be displayed.

### MEMO

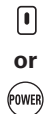
If you do nothing within the next 8 seconds, the modulator setting mode returns to the normal mode without changing the most recent settings.



| Item         | Button                  | Display |
|--------------|-------------------------|---------|
| Frequency    | ▾ ▸<br>or<br>(+)<br>(-) |         |
| Level        | ◀ ▶<br>or<br>(◀▶) (▶▶)  |         |
| Pre-emphasis | (P)<br>or<br>(MODE)     |         |

2. Set the items while referring to the chart on the left.

The last adjustment is kept as final.



3. Press the button for 2 seconds or more to return to normal play.

# Playing Compact Discs

## Display shows this message

### Take action according to the chart below.

Check discs and magazine once more.

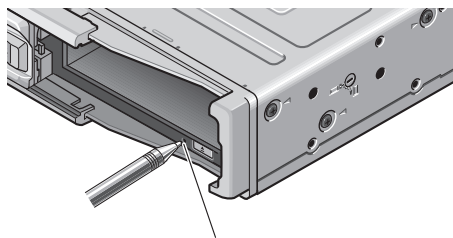
### If it still doesn't work after checking.

Press the CD player's Clear button. (See Page 23.)

### If it still doesn't work.

Read "After-sales service for Pioneer products" and request servicing.

| Message  | Cause   | Treatment  |
|--|---|--|
| No MAGAZINE (appears)  | Removing the magazine from the CD player during CD play.                        | To use this system, load the magazine into the CD player and then turn on the power.   |
| No MAGAZINE (flashes for 5 seconds)  | Power was turned on while the magazine was not loaded in the CD player.         | Turn on the power after loading the magazine into the CD player.   |
| READY  | The CD player is warming up.  | Please wait a few moments.   |
| Err 11, Err 12, Err 14, Err 17   | Dirt or a scratch on the disc stops the laser beam from being able to focus.    | Wipe off the dirt. Exchange the disc if it has been scratched. (See Page 23.)  |
| Err 30   | Dirt or a scratch on the disc hinders the track number search function.         |  |
| Err 11, Err 14   | The disc has been inserted upside down.   | Confirm that the disc has been inserted right side down. (See Page 6.)   |
| Err 14   | An unrecorded compact disc (CD-R), which can be recorded on once is being used. | When you use a CD-R, load one that has been recorded on.   |
| Err 44   | All tracks are setting track skip.  | Replace the disc.  |
| NO DISC  | There is no disc in the magazine.   | Load a disc into the magazine. (See Page 6.)   |
| Err 10, Err 11, Err 12, Err 14, Err 17<br>Err 19, Err 30, Err 50, Err 60, Err 70<br>Err A0, Err A1 | Electrical or mechanical system fault.  | Turn the car ignition switch off and on again, or press power ON/OFF button on the display unit, and start the CD playing again. |



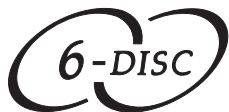
Clear button

After connecting everything up, press the clear button with the tip of a pencil. If the power will not switch on, or if the CD player does not operate, when the button on the control unit is pressed, or if the control unit display is incorrect, press this button with the tip of a pencil to restore normal operation. (This button is located inside the door.)

- If the clear button is pressed when the player contains a magazine or the ignition switch is set to the ON or ACC position, the CD title display and ITS memory are cleared.

## Discs

### Magazine



### Disc

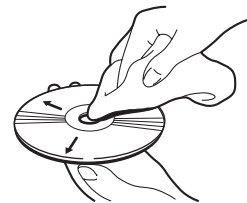


- With this unit, use discs and magazines bearing the above marks.



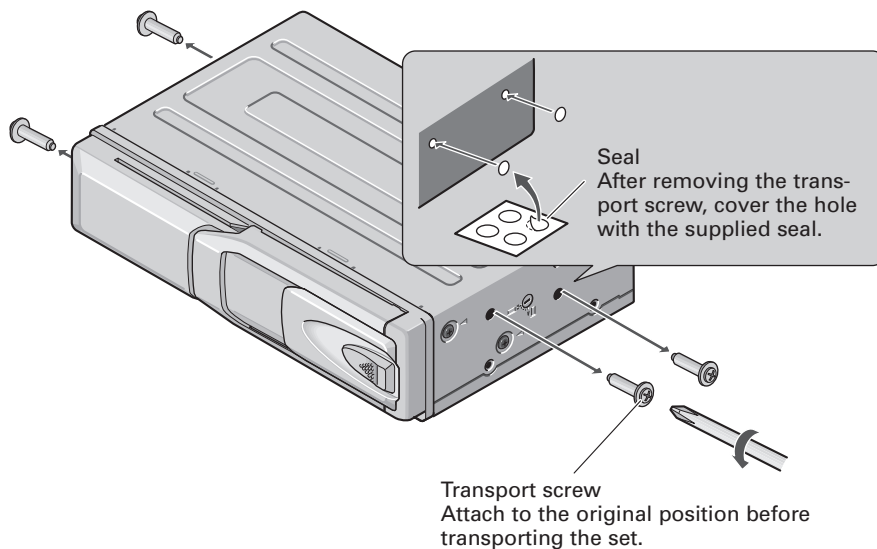
- This product is designed for use with conventional, fully circular CDs only. Use of shaped CDs are not recommended for this product.
- Check all CDs before playing, and discard cracked, scratched or warped discs.
- Normal playback of CD-R discs other than those recorded with a music CD recorder may not be possible.
- Playback of music CD-R discs, even those recorded with a music CD recorder, may not be possible with this product due to disc characteristics or scratches or dirt on the disc. Dirt or condensation on the lens inside this product may also prevent playback.
- Titles and other text information recorded on a CD-R disc may not be displayed by this product.

- Read the precautions with the CD-R discs before using.
- Avoid touching the recorded (iridescent) surface when handling discs.
- Do not affix labels or apply chemicals to discs.



- Wipe dirty or damp discs outward from the center with a soft cloth.
- Keep discs out of direct sunlight and high temperatures.

# Transportation of multi-CD player



A transport screw has been attached to the set in order to protect it during transportation. After removing the transport screw, cover the hole with the supplied seal.

Be sure to remove the transport screw before mounting the set. The removed transport screw should be retained in the accessory bag for use the next time the set is transported.



## CD Player unit

System ..... Compact disc audio system  
Usable discs ..... Compact Disc  
Signal format  
..... Sampling frequency: 44.1 kHz  
Number of quantization bits: 16; linear  
Power source  
..... 14.4 V DC (10.8 — 15.1 V allowable)  
Max. current consumption ..... 1.0 A  
Weight ..... 1.9 kg (4.2 lbs)  
Dimensions  
..... 248 (W) × 66 (H) × 168 (D) mm  
[9-3/4 (W) × 2-5/8 (H) × 6-5/8 (D) in]  
FM modulator usable frequency  
..... 87.9/88.1/88.3/88.5/88.7/88.9/89.1  
/89.3/89.5/89.7/89.9/90.1 MHz

## Antenna Switching unit

Weight ..... 140 g (0.3 lbs)  
Dimensions  
..... 45 (W) × 25 (H) × 43 (D) mm  
[1-3/4 (W) × 1 (H) × 1-5/8 (D) in]

## Display unit

Weight ..... 78 g (0.1 lbs)  
Dimensions  
..... 100 (W) × 37 (H) × 18 (D) mm  
[3-15/16 (W) × 1-7/16 (H) × 5/8 (D) in]

## Remote Controller unit

Power source  
..... Battery (CR2025)  
Weight (including battery)  
..... 15 g (0.03 lbs)  
Dimensions  
..... 36 (W) × 92 (H) × 9 (D) mm  
[1-2/5 (W) × 3-5/8 (H) × 1/3 (D) in]

### Note:

Specifications and the design are subject to possible modification without prior notice due to improvements.



**PIONEER CORPORATION**

4-1, MEGURO 1-CHOME, MEGURO-KU, TOKYO 153-8654, JAPAN

**PIONEER ELECTRONICS (USA) INC.**

P.O. Box 1760, Long Beach, California 90801, U.S.A.

TEL: (800) 421-1404

**PIONEER EUROPE NV**

Haven 1087, Keetberglaan 1, B-9120 Melsele, Belgium

TEL: (0) 3/570.05.11

**PIONEER ELECTRONICS AUSTRALIA PTY. LTD.**

178-184 Boundary Road, Braeside, Victoria 3195, Australia

TEL: (03) 9586-6300

**PIONEER ELECTRONICS OF CANADA, INC.**

300 Allstate Parkway, Markham, Ontario L3R OP2, Canada

TEL: (905) 479-4411

**PIONEER ELECTRONICS DE MEXICO, S.A. de C.V.**

San Lorenzo 1009 3er. Piso Desp. 302

Col. Del Valle Mexico, D.F. C.P. 03100

TEL: 5-688-52-90

Published by Pioneer Corporation.

Copyright © 2000 by Pioneer Corporation.

All rights reserved.

Publication de Pioneer Corporation.

Copyright © 2000 Pioneer Corporation.

Tous droits de reproduction et de traduction réservés.

# INSTALLATION MANUAL MANUEL D'INSTALLATION

CDX-FM677

**Pioneer**

<KFJFF/00H0000> <CRD3324-A/N> UC

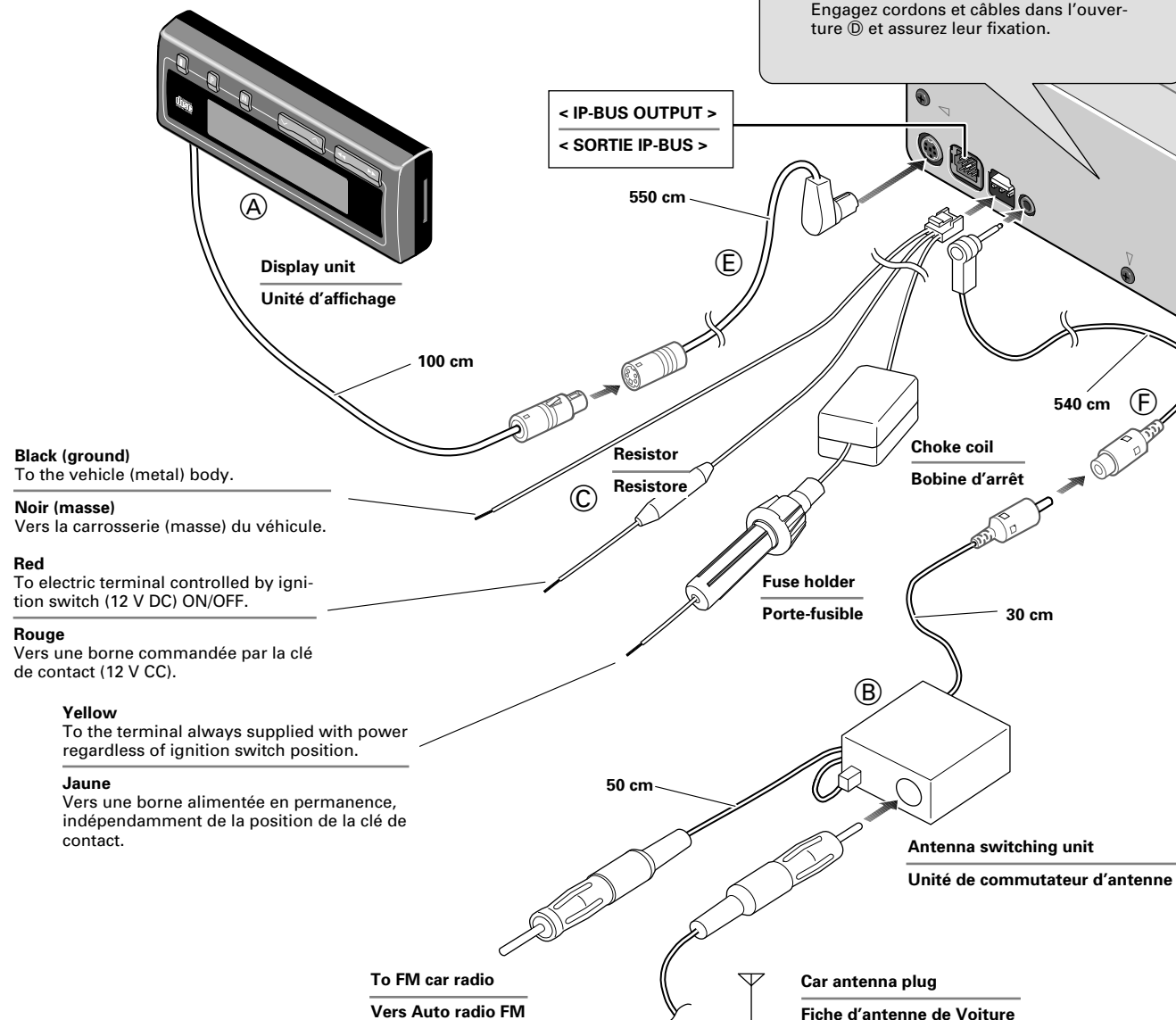
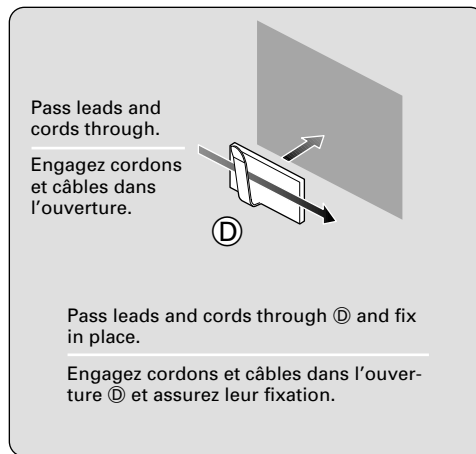
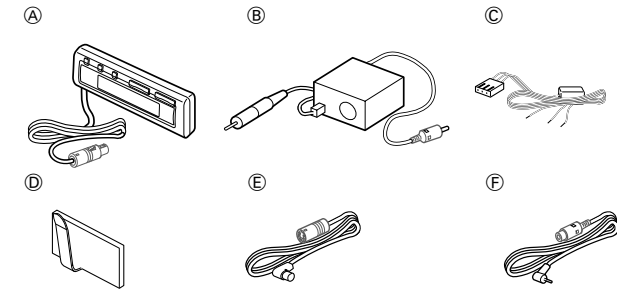
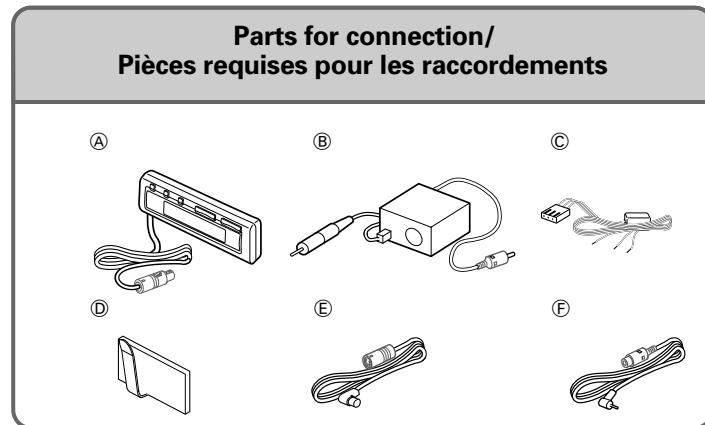
This product conforms to CEMA cord colors.  
Le code de couleur des câbles utilisé pour ce produit est conforme à CEMA.

Published by Pioneer Corporation.  
Copyright © 2000 by Pioneer Corporation.  
All rights reserved.

Publication de Pioneer Corporation.  
Copyright © 2000 Pioneer Corporation.  
Tous droits de reproduction et de traduction réservés.

Printed in Thailand  
Imprimé en Thaïlande

## Connecting the Units/Connexion des appareils



**Black (ground)**  
To the vehicle (metal) body.  
**Noir (masse)**  
Vers la carrosserie (masse) du véhicule.

**Red**  
To electric terminal controlled by ignition switch (12 V DC) ON/OFF.

**Rouge**  
Vers une borne commandée par la clé de contact (12 V CC).

**Yellow**  
To the terminal always supplied with power regardless of ignition switch position.

**Jaune**  
Vers une borne alimentée en permanence, indépendamment de la position de la clé de contact.

Cords for this product and those for other products may be different colors even if they have the same function. When connecting this product to another product, refer to the supplied Installation manuals of both products and connect cords that have the same function.

Les câbles de cet appareil et ceux d'autres appareils peuvent fort bien ne pas être de la même couleur bien que remplissant la même fonction. Pour relier cet appareil à un autre appareil, utilisez le manuel d'installation de chacun et effectuez les raccordements en ne tenant compte que de la fonction de chaque câble.

### English

- Before mounting, connect the units temporarily. Check that the units and the system are working correctly.
- After connection is complete, press the clear button on the CD player with the tip of a pencil.
- Be sure to connect the ground lead (black) to the vehicle body or some other metal part that is properly grounded to the chassis. If the ground lead is not properly connected, noise may occur or the system may not operate correctly.
- This unit is for vehicles with a 12-volt battery and negative grounding. Before installing it in a recreational vehicle, truck, or bus, check the battery voltage.
- To avoid shorts in the electrical system, be sure to disconnect the battery (-) cable before beginning installation.
- Check whether installation and wiring have been completed correctly. Replace the removed car components, then connect the end of the cable to the negative (-) terminal of the battery.
- Secure the wiring with cable clamps or adhesive tape. To protect the wiring, wrap adhesive tape around them where they lie against metal parts.
- Route and secure all wiring so it cannot touch any moving parts, such as the gear shift, handbrake, and seat rails. Do not route wiring in places that get hot, such as near the heater outlet. If the insulation of the wiring melts or gets torn, there is a danger of the wiring short-circuiting to the vehicle body.
- Do not pass the yellow lead through a hole into the engine compartment to connect to the battery. This will damage the lead insulation and cause a very dangerous short.
- Do not shorten any leads. If you do, the protection circuit may fail to work when it should.
- Never feed power to other equipment by cutting the insulation of the power supply lead of the unit and tapping into the lead. The current capacity of the lead will be exceeded, causing over heating.
- Replace fuses only with the types stipulated on the fuse holder.
- Even if the power is cut off because the power cord is removed or the battery is replaced, the CD title display and ITS memory are retained for 24 hours.

### < IP-BUS OUTPUT >

- Use this output when connecting a Multi-CD controller using a separately sold IP-BUS cable. If you perform this connection, do not connect this unit's supplied display unit or antenna switching unit. Also, after connecting, be sure to press the Clear button.

### Français

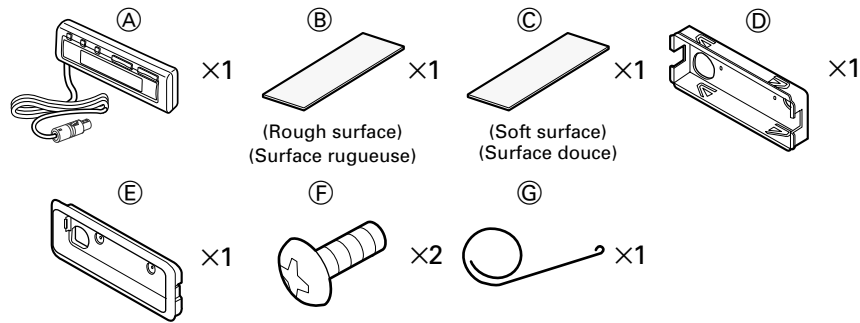
- Avant l'installation, retirer la goupille de transport et raccorder provisoirement les appareils. Vérifier que les appareils et la chaîne fonctionnent correctement.
- Lorsque le raccordement est effectué, appuyer sur le bouton d'annulation du lecteur CD avec la pointe d'un crayon.
- Veiller à bien raccorder le conducteur de masse (noir) à la carrosserie du véhicule ou à toute autre pièce métallique correctement mise à la masse sur le châssis. Si le conducteur de masse n'est pas raccordé correctement, il pourrait en résulter des parasites, ou la chaîne pourrait ne pas fonctionner correctement.
- Cet appareil est destiné aux véhicules avec une batterie de 12 V, négative à masse négative. Avant de l'installer dans un véhicule de loisir, un camion ou un car, vérifier la tension de la batterie.
- Afin d'éviter des court-circuits dans le système électrique, s'assurer de déconnecter le câble (-) de batterie avant de commencer l'installation.
- Vérifier si l'installation et le câblage ont été complétés correctement. Remplacer les composants de voiture retirés, puis connecter l'extrémité du câble à la borne négative (-) de la batterie.
- Fixer le câblage au moyen des attaches de câble ou une bande adhésive. Pour protéger le câblage, enrouler la bande adhésive autour des câbles à l'endroit où ceux-ci sont placés contre les parties métalliques.
- Acheminer et fixer tout le câblage de telle sorte qu'il ne touche pas les pièces mobiles, comme le levier de changement de vitesse, le frein à main et les rails des sièges. Ne pas acheminer les câbles dans des endroits qui peuvent devenir chauds, comme près de la sortie de radiateur.
- Si l'isolation des câbles fond ou se déchire, il existe un danger de court-circuit des câbles avec la carrosserie du véhicule.
- Ne faites pas passer le conducteur jaune dans le compartiment moteur par un trou pour le connecter avec la batterie. Ceci endommagerait l'isolation du conducteur et causerait un dangereux court-circuit.
- Ne pas court-circuiter les conducteurs. Sinon, le circuit de protection risque de ne pas fonctionner.
- Ne jamais alimenter un autre appareil en coupant l'isolation du conducteur d'alimentation de l'appareil et en la branchant dans le conducteur. L'intensité de courant du conducteur sera dépassée provoquant ainsi une surchauffe.
- Remplacer les fusibles seulement par des fusibles de type spécifié sur le porte-fusible.
- Même si l'alimentation est interrompue du fait que le câble d'alimentation a été déconnecté ou que la pile a été remplacée, l'affichage de titres de CD et la mémoire ITS resteront conservés pendant 24 heures.

### < SORTIE IP-BUS >

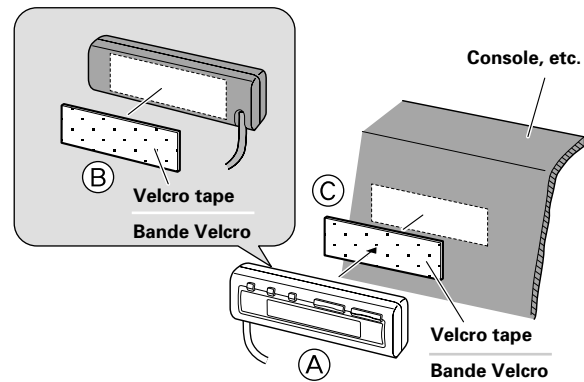
- Utilisez cette sortie pour relier un lecteur de CD à chargeur au moyen d'un câble IP-BUS vendu séparément. Si vous réalisez cette liaison, ne raccordez pas l'unité d'affichage ni l'unité de commutation d'antenne de cet appareil. La liaison une fois effectuée, n'oubliez pas d'appuyer sur la touche d'effacement.

# Installing the Display Unit/Installation de l'afficheur

## Parts for display unit mounting/ Pièces requises pour le montage de l'afficheur



## Fasten the display unit with Velcro tape/ Fixer l'afficheur à l'aide d'une bande Velcro



### English

- Thoroughly wipe off the surface before affixing the Velcro tape.
- Obviously, it is very dangerous if the cord gets tangled in the steering wheel, so install the cord so that it cannot get in the way.

### Français

- Essuyez soigneusement la surface avant d'attacher le morceau de bande Velcro.
- Il est naturellement dangereux si le cordon sera enchevêtré au volant de direction, et il faudra donc installer le cordon de telle façon qu'il ne soit pas pris.

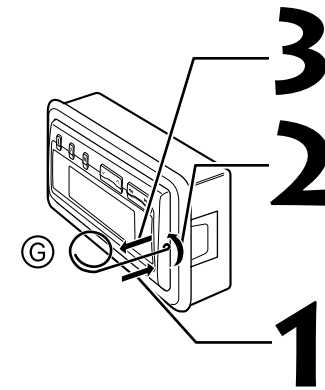
## Removing the Display Unit/ Enlever de l'afficheur

### English

Insert the ③ that comes with the unit as shown in the illustration. Turn it to the left and then pull it towards you.

### Français

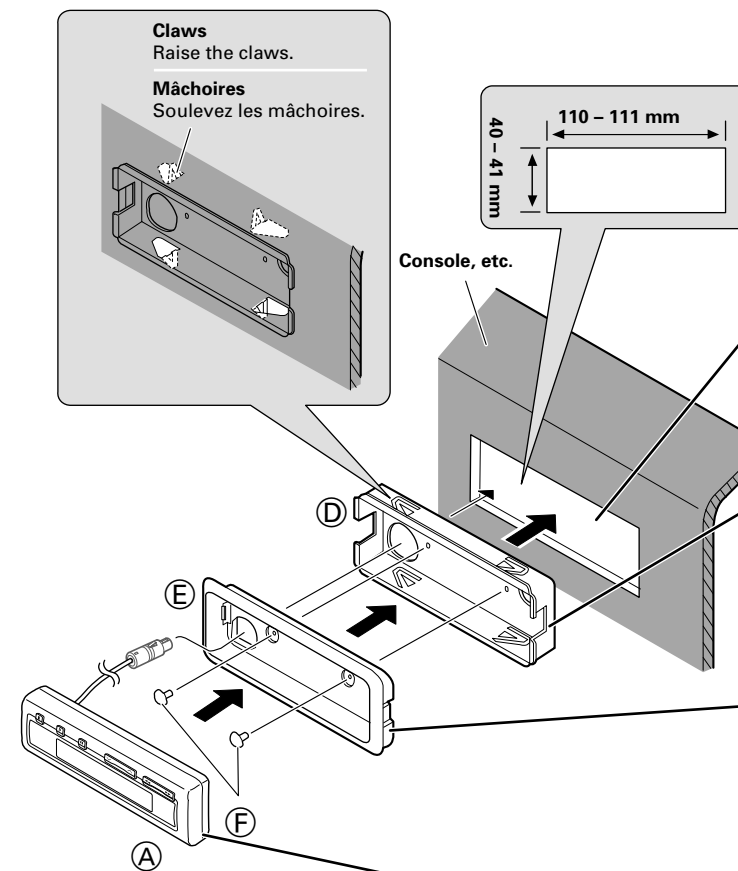
Insérer la pièce ③ fournie avec l'appareil comme montré sur l'illustration. La tourner vers la gauche puis la tirer vers soi.



## Installation using the flush mounting bracket/ Installation au moyen du support du montage affleurant

### English

### Français



- 1 Start by opening installation holes in the console, etc.
  - When opening holes in the console, etc., confirm that there is no object at the rear of the console, and be careful not to cut off the power supply cord.
  - A minimum depth of 20 mm is required for installation of the flush mounting bracket.

Tout d'abord, percer les trous d'installation dans la console, etc.

- Avant de percer les trous dans la console, s'assurer que l'on peut le faire sans danger et veiller à ne pas endommager les câbles d'alimentation électrique.
- La profondeur minimale requise pour le support de montage affleurant est de 20 mm.

- 2 Fit the ④ into the opening in the console, etc., raise the claws of the ④ with a flat-bladed screwdriver, and secure the bracket in place.

Engager la pièce ④ dans l'ouverture de la console, etc., soulever les griffes de la pièce ④ au moyen d'un tournevis plat et assurer de cette manière le maintien du support.

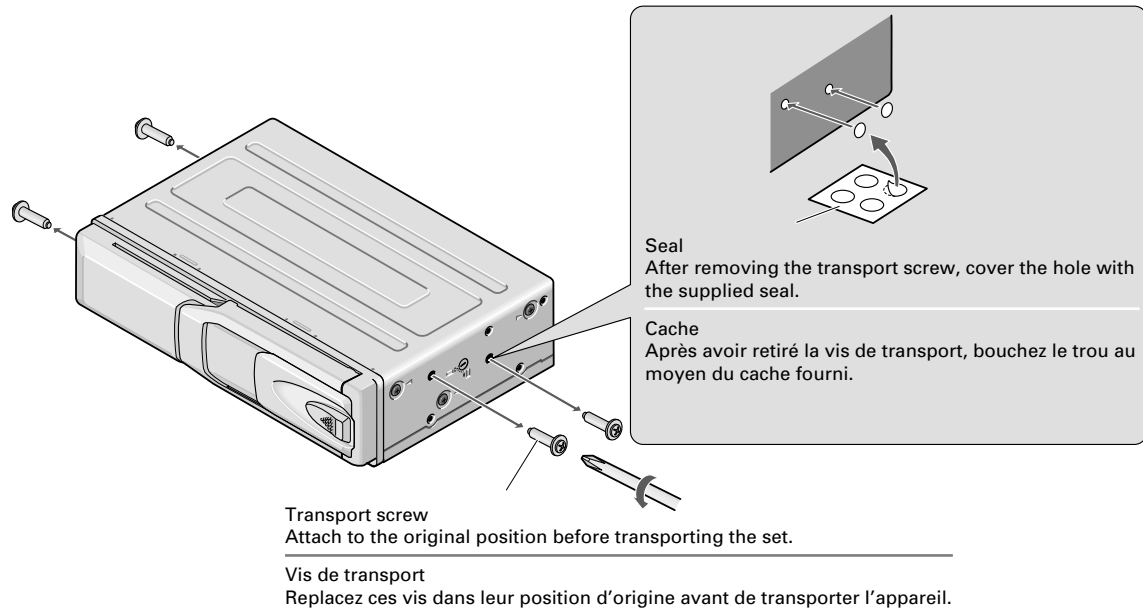
- 3 Fit the ⑤ into the ④ (the top and bottom of the holder are predetermined), then secure it with ⑥.

Engager la pièce ⑤ dans la pièce ④ (les parties supérieure et inférieure du support sont repérées) et assurer le maintien au moyen de ⑥.

- 4 Pass the display unit (A) cord through the hole in the holder, and fit the display unit into the holder.

Faire cheminer le cordon de l'afficheur (A) à travers le trou du support puis engager l'afficheur dans le support.

# Transportation of multi-CD Player/ Transport du lecteur de CD à chargeur



## English

## Français

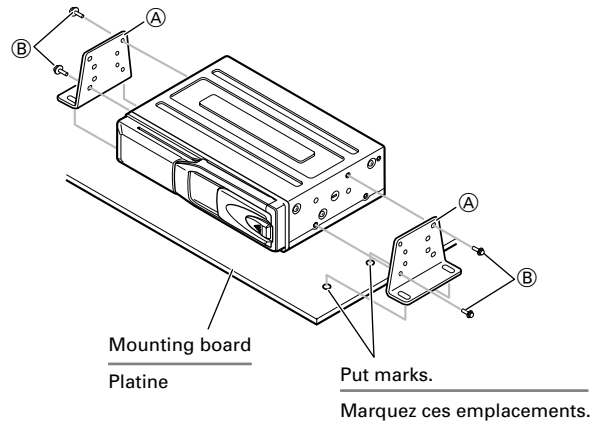
A transport screw has been attached to the set in order to protect it during transportation. After removing the transport screw, cover the hole with the supplied seal. Be sure to remove the transport screw before mounting the set. The removed transport screw should be retained in the accessory bag for use the next time the set is transported.

Des vis sont fixées sur le lecteur de façon à le protéger pendant le transport. Après avoir retiré la vis de transport, bouchez le trou au moyen du cache fourni. Veillez à retirer ces vis avant d'installer le lecteur. Conservez les vis dans le sac contenant les accessoires de manière à ne pas les égarer et à être en mesure de les remettre en place en cas de transport.

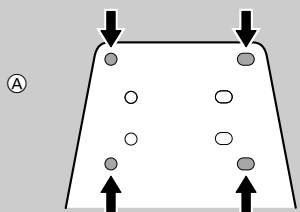
# Installing the CD Player Unit/Installation de la Unité lecteur CD

## Mounting the player on the mounting board with self-tapping screws/ Fixation du lecteur sur une platine à l'aide de vis autotaraudeuses

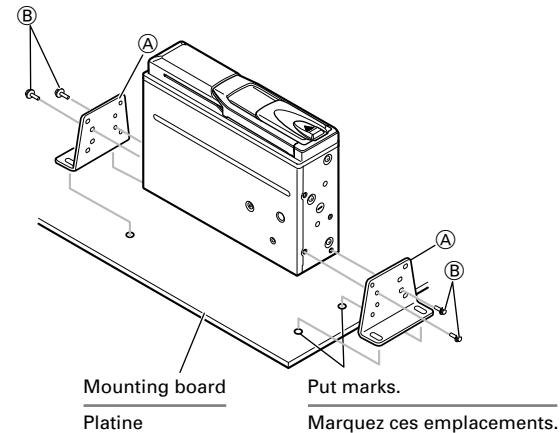
### 1 Horizontally/Horizontalement



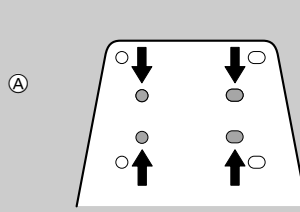
Use the holes indicated with arrows.  
Percez les trous indiqués par les flèches.



### Vertically/Verticalement



Use the holes indicated with arrows.  
Percez les trous indiqués par les flèches.



## Mounting parts/Pièces de fixation

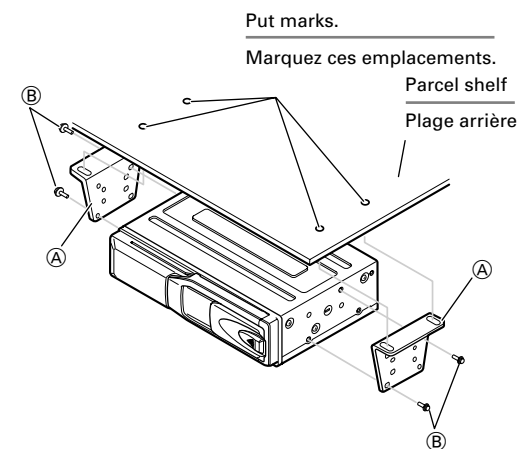
Refer to the following illustrations of mounting parts when mounting the player.

Les pièces servant à la fixation du lecteur sont illustrées ci-dessous.

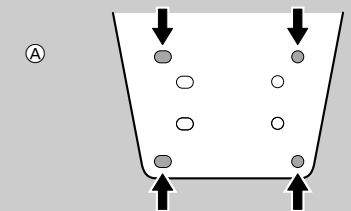


## Suspending the player from the parcel shelf with hex-screws/ Fixation du lecteur sous la plage arrière au moyen de vis à tête hexagonale

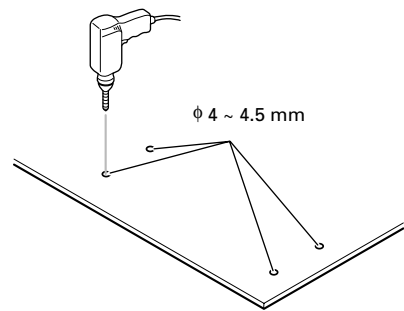
### 1



Use the holes indicated with arrows.  
Percez les trous indiqués par les flèches.



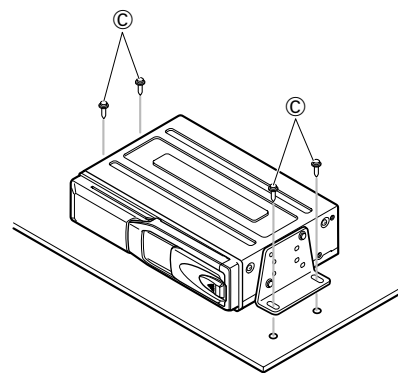
# 2



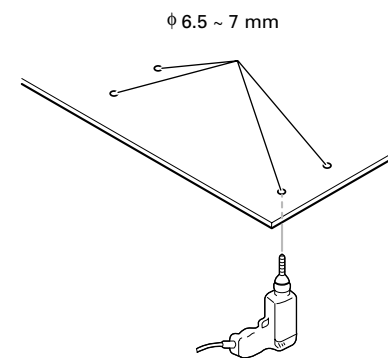
The following steps are the same for horizontal or vertical installation.

Les opérations suivantes sont les mêmes, que l'installation de l'appareil soit horizontale ou verticale.

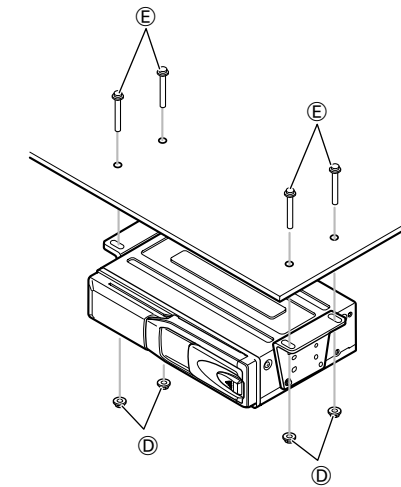
# 3



# 2



# 3

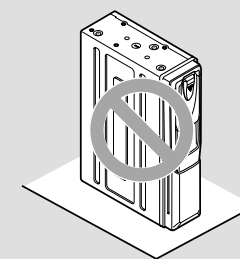


### Mounting angle/ Angle de montage

Use any angle in this range (up to 90 degrees).  
Tout angle compris entre 0 et 90 degrés convient.

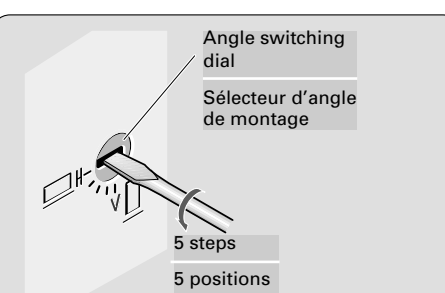
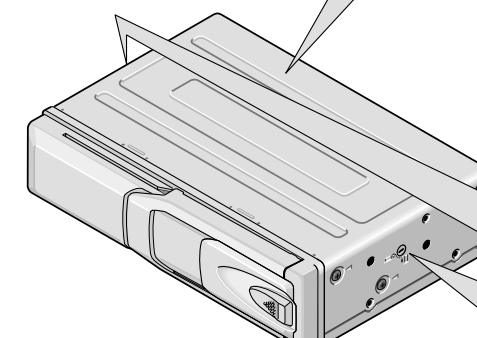
Top  
Sommet

The player cannot be installed in this direction.  
Le lecteur ne peut pas être installé de cette manière.



The angle switching dial must be set on both sides of the player to the same position.

Les boutons de commutation d'angle placés de chaque côté du lecteur doivent occuper les mêmes positions.

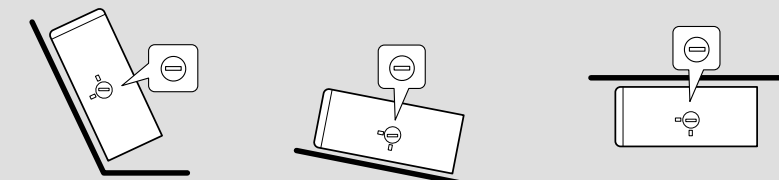


### Angle switching dial adjustment

Set the dial so that its slot is closest to the horizontal direction with respect to the ground surface.

### Positionnement du sélecteur d'angle de montage

Positionnez le sélecteur de manière que la fente soit horizontale.



### English

### Français

- Consult with your nearest dealer if installation requires the drilling of holes or other modifications of the vehicle.
- Before finally installing the unit, connect the wiring temporarily and make sure it is all connected up properly and the unit and the system work properly.
- Use only the parts included with the unit to ensure proper installation. The use of unauthorized parts can cause malfunctions.
- When mounting the player, make sure none of the leads are trapped between the player and the surrounding metalwork or fittings.

#### Location

- Install the unit where it does not get in the driver's way and cannot injure the passenger if there is a sudden stop, like an emergency stop.
- Be sure to mount the player on a rigid surface which is firm enough to hold the player in the proper position under all circumstances. Failure to do so may affect the optimum performance of the player.
- Before drilling a hole into the trunk, confirm that there is nothing behind the hole. Never drill a hole in the fuel tank or any other important part.
- Do not mount the player near the heater outlet, where it would be affected by heat, or near the doors, where rainwater might splash onto it.
- Do not mount the player on the spare tire board or any other unstable place.
- Mount the player in a place where it does not prevent the spare tire, jack, or tools from being easily removed.
- Do not mount the player anywhere that gets the sun and so becomes hot, like on the dashboard or the rear shelf.
- Mount the player on a flat surface.

#### Suspending the player from the parcel shelf with hex-screws

- Ideally, when the player is being mounted under the parcel shelf, two persons should work together. One person should hold the player, and the other should tighten the hex-nuts. If you do this job on your own, take great care not to drop or knock the player.
- When suspending the player under the parcel shelf, be sure that it is firmly installed on a solid surface. If the unit is not firmly installed, skipping will occur.

- Consultez le concessionnaire de votre véhicule si l'installation exige le perçage de trous ou toute autre modification du véhicule.
- Avant d'installer définitivement l'appareil, reliez provisoirement les câbles et assurez-vous que tout est correct et que l'ensemble fonctionne normalement.
- Pour réaliser une bonne installation, n'utilisez que les pièces fournies avec l'appareil. L'emploi de pièces non fournies peut provoquer une anomalie de fonctionnement.
- Installez l'appareil de manière qu'aucun câble ne soit écrasé entre le lecteur et les pièces métalliques voisines.

#### Emplacement

- Installez l'appareil de manière qu'il ne gêne pas le conducteur et qu'il ne puisse pas blesser un occupant du véhicule en cas de freinage brusque.
- Fixez l'appareil à une surface rigide suffisamment solide pour le maintenir en toutes circonstances, faute de quoi ses performances pourraient être altérées.
- Avant de percer une cloison, assurez-vous que vous n'endommagerez aucune pièce pouvant se trouver derrière cette cloison. Ne percez aucun trou dans le réservoir de carburant ou toute autre pièce importante.
- N'installez pas l'appareil près des ouïes du chauffage en raison de la chaleur dégagée, ni près des portières en raison de l'exposition aux intempéries.
- N'installez pas l'appareil sur la plaque cachant la roue de secours ni sur toute autre surface amovible.
- Installez l'appareil dans un endroit qui ne gêne pas le retrait de la roue de secours, du cric et des outils.
- N'installez pas l'appareil dans un endroit où il sera exposé à la lumière directe du soleil tel que la plage arrière ou le tableau de bord.
- Fixer le lecteur sur une surface plate.

#### Fixation du lecteur sous la plage arrière au moyen de vis à tête hexagonale

- Pour installer le lecteur sous la plage arrière, il est préférable de travailler à deux; une personne peut alors maintenir le lecteur tandis que l'autre pose les vis. Si vous devez procéder seul à cette installation, veillez à ce que le lecteur soit provisoirement maintenu en position de manière qu'il ne tombe pas dans le coffre pendant les opérations de fixation.
- Si vous installez le lecteur sous la plage arrière, veillez à ce qu'il soit solidement fixé, faute de quoi des erreurs de lecture peuvent se produire.



PIONEER ELECTRONICS (USA) INC. - PIONEER ELECTRONICS OF CANADA, INC.  
(PA) (POC)

### LIMITED WARRANTY

WARRANTY VALID ONLY IN COUNTRY OF PRODUCT PURCHASE

#### WARRANTY PERIOD

For the period specified below from date of original retail purchase (the warranty period) from an authorized Pioneer dealer, Pioneer Electronics (USA) Inc. (PA), and Pioneer Electronics Of Canada, Inc. (POC), warrant that products distributed by PA in the U.S.A., and by POC in Canada that fail to function properly under normal use due to a manufacturing defect when installed and operated according to the owner's manual enclosed with the unit will be repaired or replaced with a unit of comparable value, at the option of PA or POC, without charge to you for parts or actual repair work. Parts supplied under this warranty may be new or rebuilt at the option of PA or POC.

The warranty period for retail customers who rent the product commences upon the date product is first put into use (a) during the rental period or (b) retail sale, whichever occurs first.

The warranty does not cover any product which is used in any trade or business, or in an industrial or commercial application.

#### PRODUCT

WARRANTY PERIOD  
PARTS LABOR

Car Stereo Products .....ONE YEAR ONE YEAR

This warranty covers the product during the warranty period whether in the possession of the original owner or any subsequent owner. In the event service is required, the product must be delivered within the warranty period, transportation prepaid, from within the country of purchase as explained in this document. You will be responsible for removal and installation of the product. PA or POC, as appropriate, will pay for the cost of returning the repaired or replacement product to you within the country of purchase.

#### WHAT'S NOT COVERED

This warranty does not apply to any speaker that has been subjected to power in excess of its published power rating.

This warranty does not cover the cabinet or any appearance item, user attached antennas, any damage to recordings or recording tapes or discs, any damage to the product resulting from alterations, modifications not authorized in writing by PA or POC, accident, misuse or abuse, damage due to lightning or to power surges, subsequent damage from leaking, damaged or inoperative batteries or the use of batteries not conforming to those specified in the owner's manual.

This warranty does not cover the cost of parts or labor which would be otherwise provided without charge under this warranty, obtained from any source other than a PA or POC Authorized Service Company or other designated location. This warranty does not cover defects or damage caused by the use of unauthorized parts or labor, or from improper maintenance.

**ALTERED, DEFACED OR REMOVED SERIAL NUMBERS VOID THIS WARRANTY.**

#### YOUR RIGHTS

PA and POC exclude any obligation on their part for incidental or consequential damages related to the failure of products each distributes to function properly under the conditions set forth above.

**IN THE U.S.A.** - PA LIMITS ITS OBLIGATIONS UNDER ANY IMPLIED WARRANTIES INCLUDING, BUT NOT LIMITED TO, THE IMPLIED WARRANTIES OF MERCHANTABILITY AND FITNESS FOR A PARTICULAR PURPOSE TO A PERIOD NOT TO EXCEED THE WARRANTY PERIOD. NO WARRANTIES SHALL APPLY AFTER THE WARRANTY PERIOD. SOME STATES DO NOT ALLOW LIMITATIONS ON HOW LONG AN IMPLIED WARRANTY LASTS, AND SOME STATES DO NOT ALLOW THE EXCLUSION OR LIMITATION OF INCIDENTAL OR CONSEQUENTIAL DAMAGES, SO THE ABOVE LIMITATIONS OR EXCLUSIONS MAY NOT APPLY TO YOU. THIS WARRANTY GIVES YOU SPECIFIC LEGAL RIGHTS, AND YOU MAY HAVE OTHER RIGHTS WHICH MAY VARY FROM STATE TO STATE.

**IN CANADA** - EXCEPT AS EXPRESSLY PROVIDED HEREIN, THERE ARE NO REPRESENTATIONS, WARRANTIES, OBLIGATIONS OR CONDITIONS, IMPLIED, STATUTORY OR OTHERWISE, APPLICABLE TO THIS PRODUCT

#### TO OBTAIN SERVICE

##### CAR STEREO PRODUCTS (EXCEPT CAR SPEAKERS SOLD IN THE U.S.A. ONLY)

PA and POC have appointed a number of Authorized Service Companies throughout the U.S.A. and Canada should your product ever require service. To receive warranty service you will need to present your sales receipt or, if rented, your rental contract showing place and date of original owner's transaction.

Should it become necessary to ship the unit you will need to package the product carefully and send it, transportation prepaid by a traceable, pre-insured method, to an Authorized Service Company. Carefully package the product using adequate padding material to prevent damage in transit. The original container is ideal for this purpose. Include in the package your name, address, telephone number where you can be reached during business hours, a copy of your sales receipt and a detailed description of the problem.

#### TO OBTAIN SERVICE

##### CAR SPEAKERS SOLD IN THE U.S.A. ONLY

Should your car speaker require service, return defective car speaker to your retail dealer for exchange. To receive warranty service you will need to present your sales receipt showing place and date of original owner's retail purchase. If, for any reason, you cannot exchange the speakers at the selling dealer, call the Customer Service Department as given below.

#### - ADDITIONAL INFORMATION -

##### IN THE U.S.A.

For additional information on this warranty, please call or write:

CUSTOMER SERVICE DEPARTMENT  
PIONEER ELECTRONICS SERVICE, INC.  
P.O. BOX 1760  
LONG BEACH, CALIFORNIA 90801  
1-800-421-1404

**IN THE U.S.A. DO NOT RETURN ANY PRODUCT TO THE ABOVE ADDRESS. IT IS NOT A SERVICE LOCATION.**

##### INCANADA

Please contact a Pioneer authorized Dealer to find the nearest Pioneer authorized service location. For additional information on this warranty, please call or write:

CUSTOMER SERVICE DEPARTMENT  
PIONEER ELECTRONICS OF CANADA, INC.  
300 ALLSTATE PARKWAY  
MARKHAM, ON L3R 0P2  
(905) 479-4411

#### IN THE U.S.A.

RECORD THE PLACE AND DATE OF PURCHASE FOR FUTURE REFERENCE

FOR PRODUCT INFORMATION, TO PURCHASE REPLACEMENT PARTS OR TO LOCATE AN AUTHORIZED SERVICE COMPANY CALL. 1-800-421-1404

Model No. \_\_\_\_\_ Serial No. \_\_\_\_\_ Purchase Date \_\_\_\_\_

Purchased From \_\_\_\_\_

KEEP THIS INFORMATION AND YOUR SALES RECEIPT IN A SAFE PLACE



# PRODUCT REGISTRATION

Register ONLINE at [www.pioneerelectronics.com](http://www.pioneerelectronics.com)

**OFFICIAL RULES: NO PURCHASE NECESSARY TO WIN.** Sweepstakes is sponsored by a number of different companies. Will be offered in a number of different presentations, and will award the following prizes: one 1st Prize of \$50,000; one 2nd Prize of \$25,000; and five 3rd Prizes of \$5,000. Sweepstakes begins May 20, 1999, and ends December 31, 2001. Enter by completing this product registration or a 3" x 5" card with your name, address, city, state, ZIP Code, and the words "100,000 Give Away III" and mail to P.O. Box 174303, Dept. HMW, Denver, CO 80217-4303. Entries must be received no later than December 31, 2001, and are limited to one per household. Mechanically reproduced entries not acceptable. Not responsible for late, lost or illegible entries. A random drawing held in January 2002 will select the winners from all entries collectively received by the sponsoring companies. Odds of winning depend on the number of eligible entries received from all sponsors' presentations. Open to U.S. residents at least 18 years old, except employees and their families of the sweepstakes judge, all of the sponsoring companies, and their respective subsidiaries. Each winner must submit a signed and notarized affidavit of eligibility within a specified time after being notified of their prospective winner status, and if a satisfactory affidavit is not received within the stated time, a new winner will be selected. By submitting an entry, winner agrees to the use of their name, address, and photograph for advertising/publicity purposes without compensation. All entries become the property of the sweepstakes judge. No transfer or substitution of prize is allowed. Winner is solely responsible for all taxes. All federal, state and local laws apply. Offer void in Florida and where prohibited by law. For notice of sweepstakes winners, send a self-addressed, stamped envelope to: "\$100,000 Give Away III", P.O. Box 173133, Denver, CO 80217-3133.

**Pioneer**  
 Register your purchase with us  
 and automatically enter the  
 \$100,000 Give Away III...  
 for a chance to WIN  
 \$5,000, \$25,000 or  
 even \$50,000!!!

Please do not send products or other correspondence to this address.



First-Class  
 Postage  
 Required  
 Post Office will  
 not deliver  
 without proper  
 postage.

HMW01-01

Cassette - 2

**Pioneer**

PO BOX 174303  
 DENVER CO 80217-4303



Please fold here.

**28. To help us understand our customers' lifestyles, please indicate the interests and activities in which you or your spouse enjoy participating on a regular basis.**

- |  |   |  |
|--|---|--|
| 01. <input type="checkbox"/> Bicycling                 | 21. <input type="checkbox"/> Automotive Work                | 41. <input type="checkbox"/> Our Nation's Heritage         |
| 02. <input type="checkbox"/> Golf                      | 22. <input type="checkbox"/> Electronics                    | 42. <input type="checkbox"/> Real Estate Investments       |
| 03. <input type="checkbox"/> Physical Fitness/Exercise | 23. <input type="checkbox"/> Home Workshop/Do-It-Yourself   | 43. <input type="checkbox"/> Stock/Bond Investments        |
| 04. <input type="checkbox"/> Running/Jogging           | 24. <input type="checkbox"/> Recreational Vehicles          | 44. <input type="checkbox"/> Mutual Funds                  |
| 05. <input type="checkbox"/> Snow Skiing               | 25. <input type="checkbox"/> Listen to Records/Tapes/CDs    | 45. <input type="checkbox"/> Entering Sweepstakes          |
| 06. <input type="checkbox"/> Tennis                    | 26. <input type="checkbox"/> Avid Book Reading              | 46. <input type="checkbox"/> Casino Gambling               |
| 07. <input type="checkbox"/> Camping/Hiking            | 27. <input type="checkbox"/> Bible/Devotional Reading       | 47. <input type="checkbox"/> Science Fiction               |
| 08. <input type="checkbox"/> Fishing                   | 28. <input type="checkbox"/> Health/Natural Foods           | 48. <input type="checkbox"/> Wildlife/Environmental Issues |
| 09. <input type="checkbox"/> Hunting/Shooting          | 29. <input type="checkbox"/> Photography                    | 49. <input type="checkbox"/> Dieting/Weight Control        |
| 10. <input type="checkbox"/> Power Boating             | 30. <input type="checkbox"/> Home Decorating/Furnishing     | 50. <input type="checkbox"/> Science/New Technology        |
| 11. <input type="checkbox"/> Horseback Riding          | 31. <input type="checkbox"/> Attending Cultural/Arts Events | 51. <input type="checkbox"/> Self-Improvement              |
| 12. <input type="checkbox"/> Sailing                   | 32. <input type="checkbox"/> Fashion Clothing               | 52. <input type="checkbox"/> Walking for Health            |
| 13. <input type="checkbox"/> House Plants              | 33. <input type="checkbox"/> Fine Art/Antiques              | 53. <input type="checkbox"/> Watching Sports on TV         |
| 14. <input type="checkbox"/> Grandchildren             | 34. <input type="checkbox"/> Foreign Travel                 | 54. <input type="checkbox"/> Community/Civic Activities    |
| 15. <input type="checkbox"/> Needlework/Knitting       | 35. <input type="checkbox"/> Cruise Ship Vacations          | 55. <input type="checkbox"/> Home Video Games              |
| 16. <input type="checkbox"/> Flower Gardening          | 36. <input type="checkbox"/> Travel in USA                  | 56. <input type="checkbox"/> Motorcycles                   |
| 17. <input type="checkbox"/> Vegetable Gardening       | 37. <input type="checkbox"/> Gourmet Cooking/Fine Foods     | 57. <input type="checkbox"/> Watch Cable TV                |
| 18. <input type="checkbox"/> Sewing                    | 38. <input type="checkbox"/> Wines                          | 58. <input type="checkbox"/> Home Video Recording          |
| 19. <input type="checkbox"/> Crafts                    | 39. <input type="checkbox"/> Coin/Stamp Collecting          | 59. <input type="checkbox"/> Moneymaking Opportunities     |
| 20. <input type="checkbox"/> Buy Prerecorded Videos    | 40. <input type="checkbox"/> Collectibles/Collections       | 60. <input type="checkbox"/> Current Affairs/Politics      |

**29. Using the numbers in the above list, please indicate your 3 most important activities:**

Thanks for taking the time to fill out this questionnaire. Your answers will be used for market research studies and reports. They will also allow you to receive important mailings and special offers from a number of fine companies whose products and services relate directly to the specific interests, hobbies, and other information indicated above. Through this selective program, you will be able to obtain more information about activities in which you are involved and less about those in which you are not. Please check here if, for some reason, you would prefer *not* to participate in this opportunity.

Please check here if you do not want to receive mailings and offers using your E-mail address.

1.  Mr.    2.  Mrs.    3.  Ms.    4.  Miss

**H M W 0 1 - 0 1**

**First Name** \_\_\_\_\_ **Initial** \_\_\_\_\_ **Last Name** \_\_\_\_\_

**Street** \_\_\_\_\_ **Apt. No.** \_\_\_\_\_

**City** \_\_\_\_\_ **State** \_\_\_\_\_ **ZIP Code** \_\_\_\_\_

**E-mail Address:** \_\_\_\_\_

2. **Telephone Number:**  
(\_\_\_\_) \_\_\_\_\_ - \_\_\_\_\_

3. **Date of purchase:** MM/DD/YYYY

4. **Price paid (excluding sales tax):** \$ \_\_\_\_\_ .00

5. **Model #:** KEH - \_\_\_\_\_  
**Serial #:** \_\_\_\_\_

6. **Where did you purchase your Pioneer product?**

|  |  |
|--|--|
| 1. <input type="checkbox"/> Received as a Gift         | 6. <input type="checkbox"/> Walmart      |
| 2. <input type="checkbox"/> Car Audio Specialty Store  | 7. <input type="checkbox"/> Best Buy     |
| 3. <input type="checkbox"/> Electronics Only Store     | 8. <input type="checkbox"/> Circuit City |
| 4. <input type="checkbox"/> Mail Order                 | 9. <input type="checkbox"/> Sears        |
| 5. <input type="checkbox"/> Electronic/Appliance Store |  |

7. **In what vehicle will this Pioneer product be used?**  
*(Make: e.g. Ford, Nissan; Model: e.g. Taurus SHO, Maxima SE)*

**Make:** \_\_\_\_\_

**Model:** \_\_\_\_\_

**Year:** \_\_\_\_\_

A.  Bought new    C.  Lease  
B.  Bought used

8. **Please rate the importance of the following features in your purchase decision:**

|  | Not Important               | Somewhat Important          | Very Important              |
|--|-----------------------------|-----------------------------|-----------------------------|
| A. Detachable Face.....                    | 1. <input type="checkbox"/> | 2. <input type="checkbox"/> | 3. <input type="checkbox"/> |
| B. Can Control a Multi-Disc CD changer.... | 1. <input type="checkbox"/> | 2. <input type="checkbox"/> | 3. <input type="checkbox"/> |
| C. Dolby B.....                            | 1. <input type="checkbox"/> | 2. <input type="checkbox"/> | 3. <input type="checkbox"/> |
| D. Full Logic Cassette.....                | 1. <input type="checkbox"/> | 2. <input type="checkbox"/> | 3. <input type="checkbox"/> |
| E. EEQ (Easy EQ).....                      | 1. <input type="checkbox"/> | 2. <input type="checkbox"/> | 3. <input type="checkbox"/> |
| F. Mosfet 45X4 Power.....                  | 1. <input type="checkbox"/> | 2. <input type="checkbox"/> | 3. <input type="checkbox"/> |
| G. Cosmetics.....                          | 1. <input type="checkbox"/> | 2. <input type="checkbox"/> | 3. <input type="checkbox"/> |
| H. Flap Face Design.....                   | 1. <input type="checkbox"/> | 2. <input type="checkbox"/> | 3. <input type="checkbox"/> |

9. **What three factors MOST influenced your purchase decision? (check only three)**

|   |   |
|---|---|
| 1. <input type="checkbox"/> Brand Name/Reputation             | 5. <input type="checkbox"/> Friend/Relative Recommendation    |
| 2. <input type="checkbox"/> Price/Value                       | 6. <input type="checkbox"/> Warranty/Guarantee Recommendation |
| 3. <input type="checkbox"/> Dealer/Salesperson Recommendation | 7. <input type="checkbox"/> Magazine Test Report              |
| 4. <input type="checkbox"/> Store Demonstration               | 8. <input type="checkbox"/> Other: _____                      |

10. **How did you first become aware of this Pioneer product?**

|  |   |
|--|---|
| 01. <input type="checkbox"/> TV Ad                   | 08. <input type="checkbox"/> Salesperson Recommendation       |
| 02. <input type="checkbox"/> Radio Ad                | 09. <input type="checkbox"/> Friend/Relative Recommendation   |
| 03. <input type="checkbox"/> Newspaper Ad            | 10. <input type="checkbox"/> Previous Experience with Pioneer |
| 04. <input type="checkbox"/> Stereo Magazine Ad      | 11. <input type="checkbox"/> Other: _____                     |
| 05. <input type="checkbox"/> Stereo Magazine Article |   |
| 06. <input type="checkbox"/> Pioneer Website         |   |
| 07. <input type="checkbox"/> Other Internet Source   |   |

11. **Which, if any, accessories do you plan to purchase within three to twelve months? (check all that apply)**

|   |  |
|---|--|
| 1. <input type="checkbox"/> Single Play CD Head Unit    | 5. <input type="checkbox"/> Sub-woofer         |
| 2. <input type="checkbox"/> Multi-Disc CD Changer       | 6. <input type="checkbox"/> Amplifier          |
| 3. <input type="checkbox"/> Full Range Speakers         | 7. <input type="checkbox"/> Mobile Audio/Video |
| 4. <input type="checkbox"/> Component Speaker Separates |  |

12. **What percentage of your time do you spend listening to:**

|                    | (A) In Car | (B) At Home |
|--------------------|------------|-------------|
| 1. AM/FM?.....     | ____%      | ____%       |
| 2. Cassettes?..... | ____%      | ____%       |
| 3. CDs?.....       | ____%      | ____%       |

13. **Which of the following magazines do you subscribe to or read frequently?**

|  |   |
|--|---|
| 01. <input type="checkbox"/> Super Street          | 13. <input type="checkbox"/> Sound & Vision |
| 02. <input type="checkbox"/> Car & Driver          | 14. <input type="checkbox"/> Racer Magazine |
| 03. <input type="checkbox"/> Car Stereo Review     | 15. <input type="checkbox"/> The Source     |
| 04. <input type="checkbox"/> Auto Sound & Security | 16. <input type="checkbox"/> Maxim          |
| 05. <input type="checkbox"/> Car Sound             | 17. <input type="checkbox"/> Playboy        |
| 06. <input type="checkbox"/> Champ Car Magazine    | 18. <input type="checkbox"/> Gear           |
| 07. <input type="checkbox"/> Details               | 19. <input type="checkbox"/> Men's Health   |
| 08. <input type="checkbox"/> Sport Compact Car     | 20. <input type="checkbox"/> Spin           |
| 09. <input type="checkbox"/> Max Speed             | 21. <input type="checkbox"/> Rolling Stone  |
| 10. <input type="checkbox"/> Road & Track          | 22. <input type="checkbox"/> Blaze          |
| 11. <input type="checkbox"/> Automobile            | 23. <input type="checkbox"/> Vibe           |
| 12. <input type="checkbox"/> Automeia              | 24. <input type="checkbox"/> Other: _____   |

14. **Do you have a Multi-Disc CD Changer in your car?**  
1.  Yes    2.  No

15. **Do you own a Mini-Disc (MD) player?**  
1.  Yes    2.  No

16. **Your date of birth:** MM/DD/YYYY

17. **Marital status:** 1.  Married    2.  Single

18. **Not including yourself, what is the GENDER and AGE (in years) of children and other adults living in your household?**

|                             | Male                        | Female                      | Age       | Male                        | Female                      | Age       |
|-----------------------------|-----------------------------|-----------------------------|-----------|-----------------------------|-----------------------------|-----------|
| 1. <input type="checkbox"/> | 1. <input type="checkbox"/> | 2. <input type="checkbox"/> | ____ yrs. | 1. <input type="checkbox"/> | 2. <input type="checkbox"/> | ____ yrs. |
| 2. <input type="checkbox"/> | 1. <input type="checkbox"/> | 2. <input type="checkbox"/> | ____ yrs. | 1. <input type="checkbox"/> | 2. <input type="checkbox"/> | ____ yrs. |

19. **Occupation: (check all that apply)**

|  | You                      | Spouse                      |
|--|--------------------------|-----------------------------|
| Professional/Technical.....            | <input type="checkbox"/> | 1. <input type="checkbox"/> |
| Upper Management/Executive.....        | <input type="checkbox"/> | 2. <input type="checkbox"/> |
| Middle Management.....                 | <input type="checkbox"/> | 3. <input type="checkbox"/> |
| Sales/Marketing.....                   | <input type="checkbox"/> | 4. <input type="checkbox"/> |
| Clerical/Service Worker.....           | <input type="checkbox"/> | 5. <input type="checkbox"/> |
| Tradesman/Machine Operator/Laborer ... | <input type="checkbox"/> | 6. <input type="checkbox"/> |

20. **Are you or your spouse:**

|                                    | You                      | Spouse                      |
|------------------------------------|--------------------------|-----------------------------|
| A Homemaker?.....                  | <input type="checkbox"/> | 1. <input type="checkbox"/> |
| Retired?.....                      | <input type="checkbox"/> | 2. <input type="checkbox"/> |
| A Student?.....                    | <input type="checkbox"/> | 3. <input type="checkbox"/> |
| Self Employed/Business Owner?..... | <input type="checkbox"/> | 4. <input type="checkbox"/> |
| Working from a Home Office?.....   | <input type="checkbox"/> | 5. <input type="checkbox"/> |
| In the Military?.....              | <input type="checkbox"/> | 6. <input type="checkbox"/> |
| A Federal Employee?.....           | <input type="checkbox"/> | 7. <input type="checkbox"/> |

21. **Which group describes your annual family income?**

|  |  |
|--|--|
| 01. <input type="checkbox"/> Under \$15,000    | 08. <input type="checkbox"/> \$75,000-\$99,999   |
| 02. <input type="checkbox"/> \$15,000-\$19,999 | 09. <input type="checkbox"/> \$100,000-\$124,999 |
| 03. <input type="checkbox"/> \$20,000-\$29,999 | 10. <input type="checkbox"/> \$125,000-\$149,999 |
| 04. <input type="checkbox"/> \$30,000-\$39,999 | 11. <input type="checkbox"/> \$150,000-\$174,999 |
| 05. <input type="checkbox"/> \$40,000-\$49,999 | 12. <input type="checkbox"/> \$175,000-\$199,999 |
| 06. <input type="checkbox"/> \$50,000-\$59,999 | 13. <input type="checkbox"/> \$200,000-\$249,999 |
| 07. <input type="checkbox"/> \$60,000-\$74,999 | 14. <input type="checkbox"/> \$250,000 & over    |

22. **Level of education: (check highest level completed)**

|   |   |
|---|---|
| 1. <input type="checkbox"/> Completed High School | 3. <input type="checkbox"/> Completed Graduate School |
| 2. <input type="checkbox"/> Completed College     |   |

23. **Which credit cards do you use regularly?**

|   |
|---|
| 1. <input type="checkbox"/> American Express, Diners Club       |
| 2. <input type="checkbox"/> MasterCard, Visa, Discover          |
| 3. <input type="checkbox"/> Department Store, Oil Company, etc. |
| 4. <input type="checkbox"/> Do not use credit cards             |

24. **For your primary residence, do you:**  
1.  Own?    2.  Rent?

25. **Which of the following do you plan to do within the next:**

|                                | 1-3 Mos.                 | 4-6 Mos.                    | 7-12 Mos.                   |
|--------------------------------|--------------------------|-----------------------------|-----------------------------|
| Get Married?.....              | <input type="checkbox"/> | 1. <input type="checkbox"/> | 1. <input type="checkbox"/> |
| Have a Baby?.....              | <input type="checkbox"/> | 2. <input type="checkbox"/> | 2. <input type="checkbox"/> |
| Buy a House?.....              | <input type="checkbox"/> | 3. <input type="checkbox"/> | 3. <input type="checkbox"/> |
| Remodel a Home?.....           | <input type="checkbox"/> | 4. <input type="checkbox"/> | 4. <input type="checkbox"/> |
| Move to a New Residence?.....  | <input type="checkbox"/> | 5. <input type="checkbox"/> | 5. <input type="checkbox"/> |
| Buy a Personal Computer?.....  | <input type="checkbox"/> | 6. <input type="checkbox"/> | 6. <input type="checkbox"/> |
| Buy/Lease a New Vehicle?.....  | <input type="checkbox"/> | 7. <input type="checkbox"/> | 7. <input type="checkbox"/> |
| Buy/Lease a Used Vehicle?..... | <input type="checkbox"/> | 8. <input type="checkbox"/> | 8. <input type="checkbox"/> |

26. **Which type(s) of vehicles are you considering?**

|                                   |   |  |
|-----------------------------------|---|--|
| 1. <input type="checkbox"/> Car   | 3. <input type="checkbox"/> Sport Utility | 5. <input type="checkbox"/> Motorcycle |
| 2. <input type="checkbox"/> Truck | 4. <input type="checkbox"/> Minivan       |  |

27. **Please check all that apply to your household.**

|  |
|--|
| 01. <input type="checkbox"/> Shop by Catalog/Mail                    |
| 02. <input type="checkbox"/> Member of Frequent Flyer Program        |
| 03. <input type="checkbox"/> Donate to Charitable Causes             |
| 04. <input type="checkbox"/> Wear Women's Large/Tall Sizes           |
| 05. <input type="checkbox"/> Wear Men's Large/Tall Sizes             |
| 06. <input type="checkbox"/> Own a Compact Disc Player               |
| 07. <input type="checkbox"/> Own a Camcorder                         |
| 08. <input type="checkbox"/> Have a Dog                              |
| 09. <input type="checkbox"/> Have a Cat                              |
| 10. <input type="checkbox"/> Own a Cellular Phone                    |
| 11. <input type="checkbox"/> Subscribe to an Online/Internet Service |
| 12. <input type="checkbox"/> Own an IBM or Compatible Computer       |
| 13. <input type="checkbox"/> Own an Apple/Macintosh Computer         |
| 14. <input type="checkbox"/> Own a CD-ROM                            |
| 15. <input type="checkbox"/> Speak Spanish at Home                   |

## **Bag for keeping transportation screws**

The transportation screws removed during installation will need to be reinstalled if you transport the unit later, so keep the screws in this bag.

(DEALERS: Put the removed screws in this bag and give the bag to the customer.)

## **Etui pour conserver les vis pour le transport**

Les vis pour le transport déposées durant le montage devront être réinstallées si vous désirez transporter l'unité à une date ultérieure.

Nous vous recommandons par conséquent de conserver ces vis dans cet étui.

(A L'ATTENTION DES FOURNISSEURS: Placez les vis déposées dans cet étui et présentez celui-ci aux clients)

## Free Manuals Download Website

<http://myh66.com>

<http://usermanuals.us>

<http://www.somanuals.com>

<http://www.4manuals.cc>

<http://www.manual-lib.com>

<http://www.404manual.com>

<http://www.luxmanual.com>

<http://aubethermostatmanual.com>

Golf course search by state

<http://golfingnear.com>

Email search by domain

<http://emailbydomain.com>

Auto manuals search

<http://auto.somanuals.com>

TV manuals search

<http://tv.somanuals.com>