



Owner's Manual

PRS-D3000SPL

Mode d'emploi

PIONEER CORPORATION

4-1, MEGURO 1-CHOME, MEGURO-KU, TOKYO 153-8654, JAPAN

PIONEER ELECTRONICS (USA) INC.

P.O. Box 1540, Long Beach, California 90801-1540, U.S.A.
TEL: (800) 421-1404

PIONEER EUROPE NV

Haven 1087, Keetberglaan 1, B-9120 Melsele, Belgium
TEL: (0) 3/570.05.11

PIONEER ELECTRONICS ASIACENTRE PTE. LTD.

253 Alexandra Road, #04-01, Singapore 159936
TEL: 65-6472-7555

PIONEER ELECTRONICS AUSTRALIA PTY. LTD.

178-184 Boundary Road, Braeside, Victoria 3195, Australia
TEL: (03) 9586-6300

PIONEER ELECTRONICS OF CANADA, INC.

300 Allstate Parkway, Markham, Ontario L3R OP2, Canada
TEL: 1-877-283-5901

PIONEER ELECTRONICS DE MEXICO, S.A. de C.V.

Blvd.Manuel Avila Camacho 138 10 piso
Col.Lomas de Chapultepec, Mexico, D.F. 11000
TEL: 55-9178-4270

Published by Pioneer Corporation.
Copyright © 2004 by Pioneer Corporation.
All rights reserved.

Publication de Pioneer Corporation.
Copyright © 2004 Pioneer Corporation.
Tous droits de reproduction et de traduction réservés.

Printed in U.S.A.
Imprimé aux États-Unis

<HRD0242-A> UC

<KMINX> <04L00000>

Before Using This Product

Thank you for purchasing this PIONEER product. It is designed to give you many years of enjoyment.

PIONEER SUGGESTS USING A PROFESSIONAL INSTALLER DUE TO THE COMPLEXITY OF THIS PRODUCT. Please read all instructions and **WARNINGS** in this manual before attempting operation. Should you have any questions, contact your nearest Pioneer authorized dealer or installation specialist.

Information to User

Alteration or modifications carried out without appropriate authorization may invalidate the user's right to operate the equipment.

Important

The serial number of this amplifier is written on the bottom of the unit. For your own security and convenience, write it down on the enclosed warranty card. Keep the card handy for future reference.

After-sales service for Pioneer products

Please contact the dealer or distributor from where you purchased the product for its after-sales service (including warranty conditions) or any other information. In case the necessary information is not available, please contact the companies listed below:

Please do not ship your product to the companies at the addresses listed below for repair without advance contact.

■ U.S.A.

Pioneer Electronics (USA) Inc.
CUSTOMER SUPPORT DIVISION
P.O. Box 1760
Long Beach, CA 90801-1760
800-421-1404

■ CANADA

Pioneer Electronics of Canada, Inc.
CUSTOMER SATISFACTION
DEPARTMENT
300 Allstate Parkway
Markham, Ontario L3R OP2
1-877-283-5901

For warranty information please see the Limited Warranty sheet included with your product.

Product registration

Visit us at the following site:

<http://www.pioneerelectronics.com>

- 1 Register your product. We will keep the details of your purchase on file to help you refer to this information in the event of an insurance claim such as loss or theft.
- 2 Receive updates on the latest products and technologies.
- 3 Download owner's manuals, order product catalogues, research new products, and much more.

About This Product

This product is a class D amplifier for the subwoofer. If both L (left) and R (right) channels are connected to the RCA input of this product, output is mixed because this product is a mono amplifier.

CAUTION

Never replace the fuse with one of greater value or rating than the original fuse. Use of an improper fuse could result in overheating and smoke and could cause damage to the product and injury including burns.

WARNING

- Handling the cord on this product or cords associated with accessories sold with the product will expose you to lead, a chemical known to the State of California and other governmental entities to cause cancer and birth defects or other reproductive harm. **Wash hands after handling.**
- Always use the recommended battery wire and ground wire, which is sold separately. Connect the battery wire directly to the car battery positive terminal (+) and the ground wire to the car body.
- Do not touch the amplifier with wet hands. Otherwise you may get an electric shock. Also, do not touch the amplifier when it is wet.
- For traffic safety and to maintain safe driving conditions, keep the volume low enough so that you can still hear normal traffic sound.
- Check the connections of the power supply and subwoofer if a fuse for the separately sold battery wire blows. Detect the cause and solve the problem, then replace the fuse with another one of the same size and rating.
- To prevent malfunction of the amplifier and subwoofer, the protective circuit will cut the power supply to the amplifier (sound will stop) when an abnormal condition occurs. In such a case, switch the power to the system OFF and check the connection of the power supply and subwoofer. Detect the cause and solve the problem.
- Contact the dealer if you cannot detect the cause.
- To prevent an electric shock or short-circuit during connection and installation, be sure to disconnect the negative (-) terminal of the battery beforehand.
- Confirm that no parts are behind the panel when drilling a hole for installation of the amplifier. Be sure to protect all cables and important equipment such as fuel lines, brake lines and the electrical wiring from damage.
- DO NOT allow amplifier to come into contact with liquids due to, for example, the location where the amplifier is installed. Electrical shock could result. Also, amplifier and speaker damage, smoke, and overheating could result from contact with liquids. In addition, the amplifier surface and the surface of any attached speakers could become hot to the touch and minor burns could result.

Setting the Unit

Bass Boost Frequency Control

You can select a bass boost frequency from 40 to 120 Hz with the bass boost control.

Gain Control

If the sound level is too low, even when the volume of the car stereo used along with this power amplifier is turned up, turn gain control on the front of the power amplifier clockwise. If the sound distorts when the volume is turned up, turn the gain control counter-clockwise.

- When using with an RCA equipped car stereo (standard output of 500 mV), set to the NORMAL position. When using with an RCA equipped Pioneer car stereo with max. output of 4 V or more, adjust level to match the car stereo output level.
- For synced amplifier's gain control, see the "Setting the Gain for Synced Amplifier" section.

MODE SELECT Switch

You can select amplifier's sync mode from MASTER, SYNC and SYNC INV. For the position of the MODE SELECT switch, see the "Connecting the Speaker Wires" section.

Bass Boost Level Control

Bass boost level control can boost the level around the frequency selected by the bass boost frequency control from 0 to 12 dB.

Cut Off Frequency Control for LPF

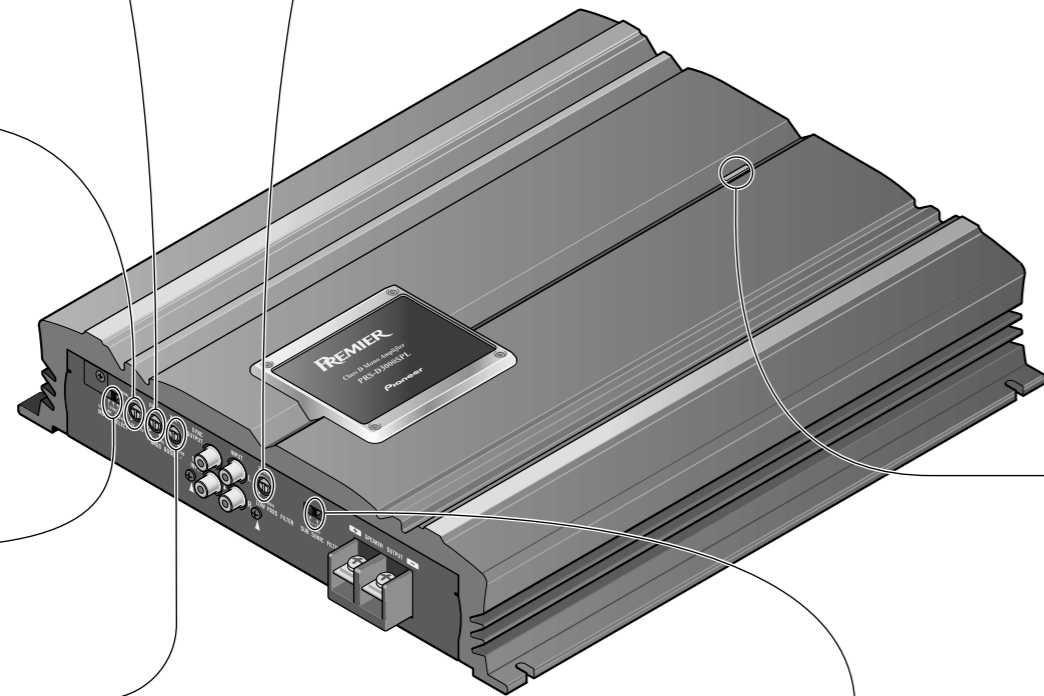
You can select a cut off frequency from 40 to 240 Hz.

Subsonic Select Switch

The subsonic filter cuts inaudible frequencies below 20 Hz to eliminate unwanted vibrations and minimize power loss.

Power Indicator

The power indicator lights when the power is switched on.



Connecting the Unit

CAUTION

- Disconnect the negative (-) terminal of the battery to avoid the risk of short-circuit and damage to the unit.
- Secure the wiring with cable clamps or adhesive tape. To protect the wiring, wrap adhesive tape around it where they lie against metal parts.
- Do not route wires where they will get hot, for example where the heater will blow over them. If the insulation heats up, it may become damaged, resulting in a short-circuit through the vehicle body.

CAUTION:

To prevent damage and/or injury

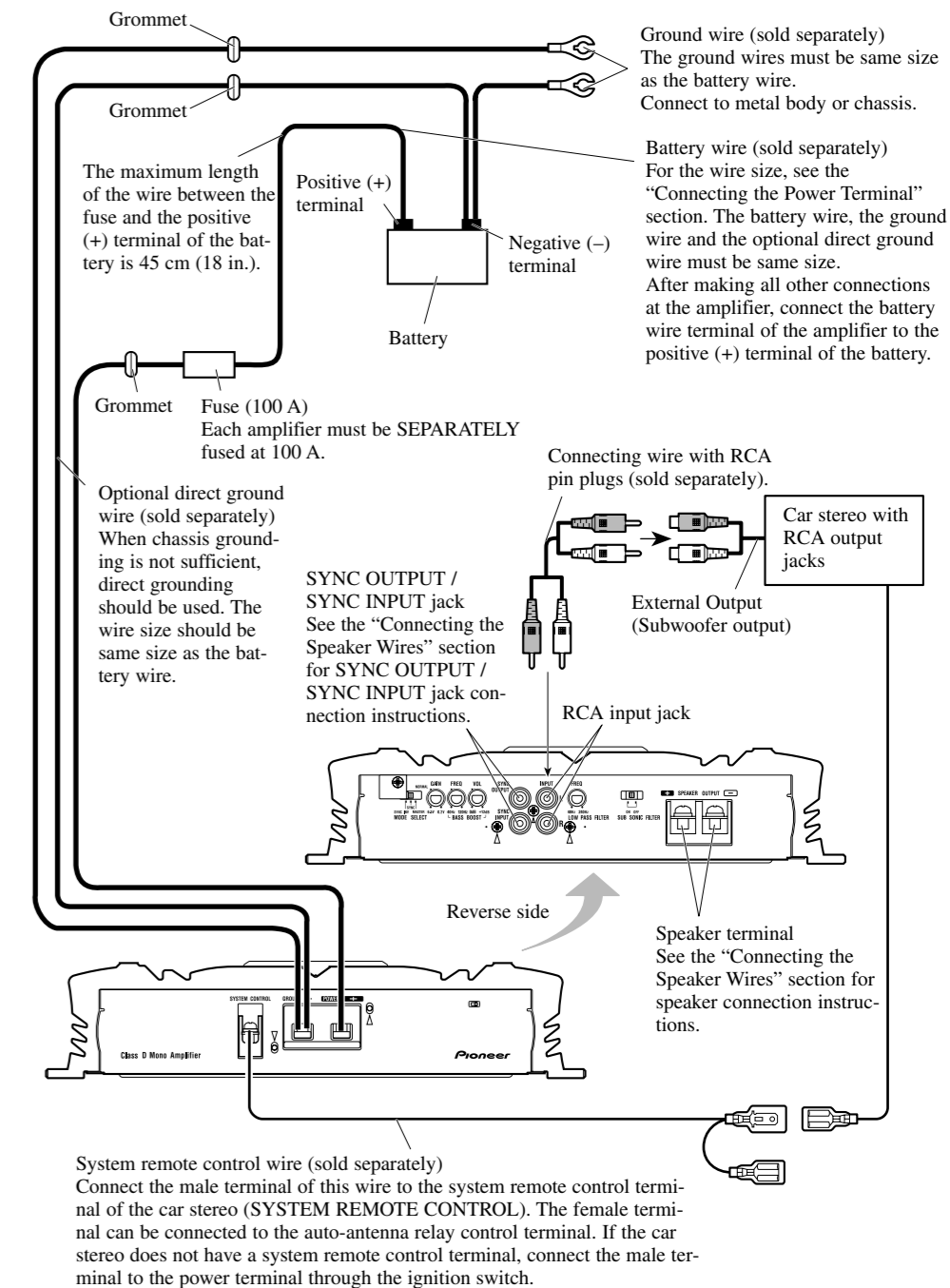
- Do not ground the speaker wire directly or connect a negative (-) lead wire for several speakers.
- This unit is for vehicles with a 12-volt battery and negative grounding. Before installing it in a recreational vehicle, truck or bus, check the battery voltage.
- If the car stereo is kept on for a long time while the engine is at rest or idling, the battery may go dead. Turn the car stereo off when the engine is at rest or idling.
- If the system remote control wire of the amplifier is connected to the power terminal through the ignition switch (12 V DC), the amplifier will always be on when the ignition is on—regardless of whether the car stereo is on or off. Because of this, the battery could go dead if the engine is at rest or idling.
- DO NOT connect a subwoofer with a lower impedance than specified in the "Connecting the Unit" section. Amplifier damage, smoke, and overheating could result from a non-specified connection. The amplifier surface could also become hot to the touch and minor burns could result.

- Make sure that wires will not interfere with moving parts of the vehicle, such as the gearshift, handbrake or seat sliding mechanism.
- Never feed power to other equipment by cutting the insulation of the power supply wire to tap from the wire. The current capacity of the wire will be exceeded, causing overheating.
- Never replace the fuse with one of greater value or rating than the original fuse. Use of an improper fuse could result in overheating and smoke and could cause damage to the product and injury including burns.

- Connect either of two subwoofers to the amplifier: 1: a subwoofer with a 500 W or larger nominal input and an impedance 4 Ω, or 2: a subwoofer with a 1,000 W or larger nominal input and an impedance 2 Ω. If the nominal input and impedance are out of the above ranges, the subwoofer may catch fire, emit smoke or become damaged.
- Install and route the separately sold battery wire as far away as possible from the speaker wires. Install and route the separately sold battery wire, ground wire, speaker wires and the amplifier as far away as possible from the antenna, antenna cable and tuner.

- Cords for this product and those for other products may be different colors even if they have the same function. When connecting this product to another product, refer to the supplied Installation manuals of both products and connect cords that have the same function.

Connection Diagram



Connecting the Unit

Connecting the Power Terminal

- Always use the recommended battery and ground wire, which is sold separately. Connect the battery wire directly to the car battery positive terminal (+) and the ground wire to the car body.
- Recommended wires size (AWG: American Wire Gauge) is as follows. The battery wire, the ground wire and the optional direct ground wire must be same size.

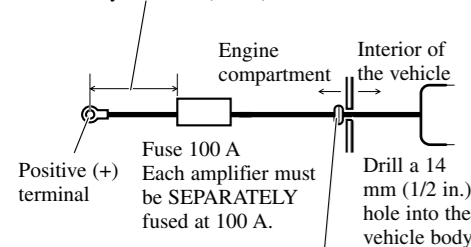
Battery Wire and Ground Wire Size

| Wire Length | less than 4 ft less than 1.2 m | 4—7 ft 1.2—2.1 m | 7—10 ft 2.1—3.0 m |
|-----------------------|-----------------------------------|-----------------------|-----------------------|
| Wire Size | 6 AWG | 6 AWG | 6 AWG |
| 10—13 ft 3.0—3.9 m | 13—16 ft 3.9—4.8 m | 16—19 ft 4.8—5.7 m | 19—22 ft 5.7—6.7 m |
| 6 AWG | 4 AWG | 4 AWG | 4 AWG |

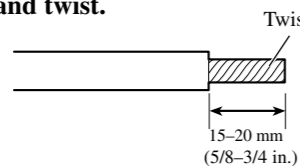
1. Pass the battery wire from the engine compartment to the interior of the vehicle.

- After making all other connections to the amplifier, connect the battery wire terminal of the amplifier to the positive (+) terminal of the battery.

The maximum length of the wire between the fuse and the positive (+) terminal of the battery is 45 cm (18 in.).

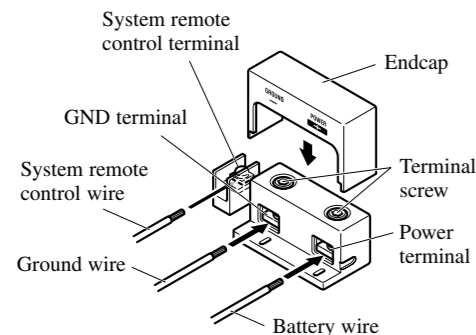


2. Expose the end of the battery wire and ground wire using nippers or a cutter by about 15–20 mm (5/8–3/4 in.) and twist.



3. Connect the wires to the terminal.

- Before connecting the wires to the terminals, remove the endcap. After connecting the wires to the terminals, attach the endcap.
- Fix the wires securely with the terminal screws.

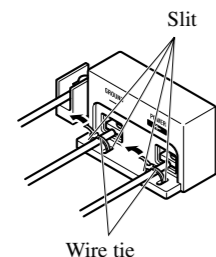


WARNING

Failure to securely fasten the battery wire to the terminal using the terminal screws could cause the terminal area to overheat and could result in damage and injury including minor burns.

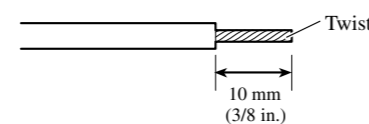
4. Put the wire ties in the slits and wrap the wire ties around the wires.

- Wrap the wire tie around the wire insulation, not the stripped wire.



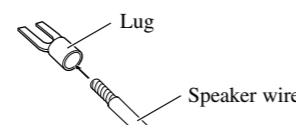
Connecting the Speaker Terminals

1. Expose the end of the speaker wires using nippers or a cutter by about 10 mm (3/8 in.) and twist.



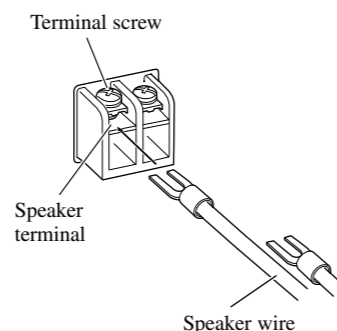
2. Attach lugs to speaker wire ends. Lugs not supplied.

- Use pliers, etc., to crimp lugs to wires.



3. Connect the speaker wires to the speaker terminals.

- Fix the speaker wires securely with the terminal screws.



Setting the Gain for Synced Amplifier

After connecting the speaker wires, adjust each synced amplifier's gain control. All synced amplifiers follow the master amplifier's settings.

Quick Setup of the Gain

Set each synced amplifier's gain control to the NORMAL position. This setting will balance output volumes sufficiently for most applications.

Advanced Setup of the Gain

Starting with the master amplifier, adjust the gain control on each amplifier in order.

- Output sin wave through this system at low output level.
- Use volt meter to measure the master amplifier's output voltage level.
- Use volt meter to measure the synced amplifier's output voltage level.
- Match the synced amplifier's output to the master's output using the gain control on the synced amplifier.
- Repeat for the each synced amplifier in the proper order.

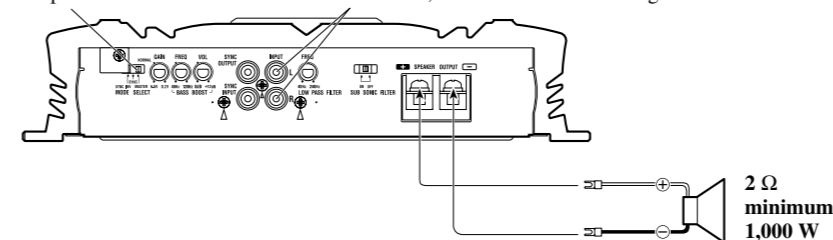
Connecting the Speaker Wires

Connect the speaker leads to suit the configuration according to the figures shown below and the next page.

Single Amplifier

- Speaker wire size must be 12 AWG minimum.
- Load may be any combination of speakers but impedance must be 2 Ω or larger.

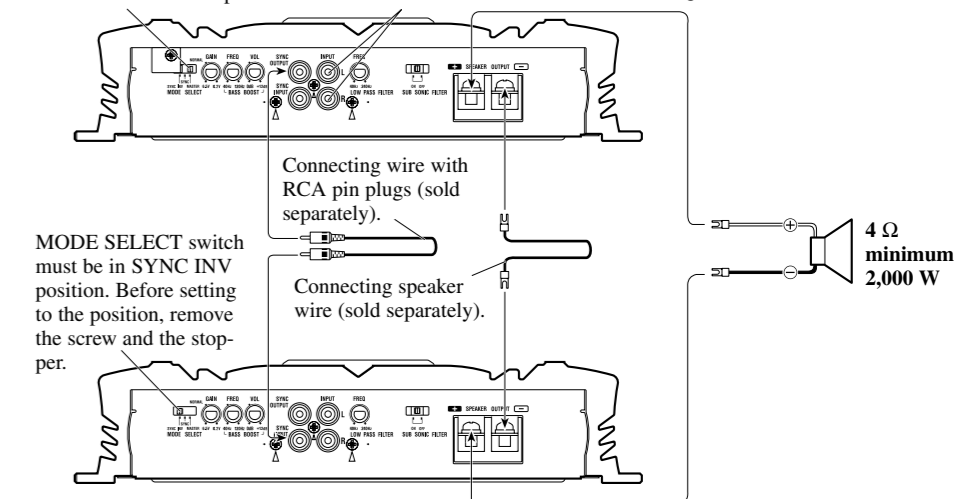
MODE SELECT switch must be in MASTER position. Connect to a car stereo. For details, see the "Connection Diagram" section.



Two Amplifier Bridged

- Speaker wire size must be 12 AWG minimum.
- Load may be any combination of speakers but impedance must be 4 Ω or larger.

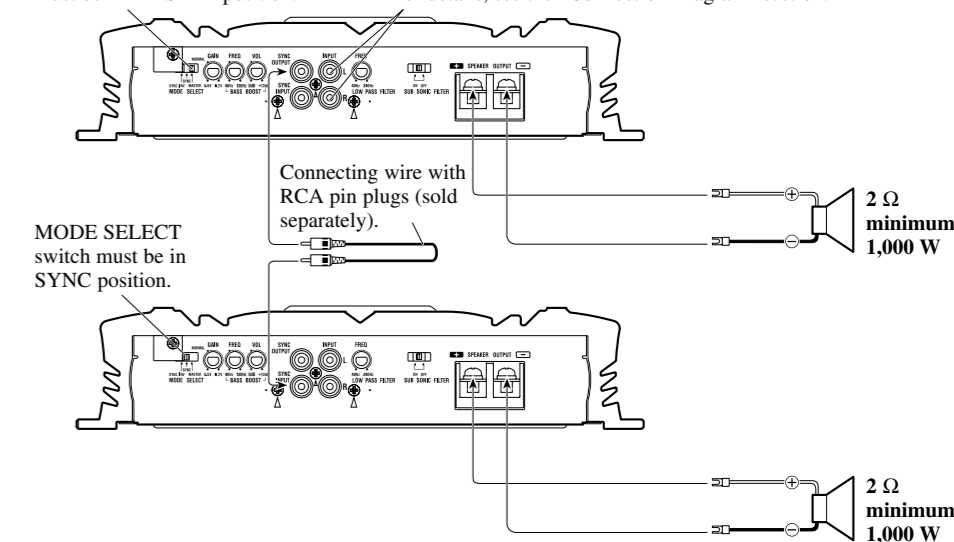
MODE SELECT switch must be in MASTER position. Connect to a car stereo. For details, see the "Connection Diagram" section.



Two Amplifier

- Speaker wire size must be 12 AWG minimum.
- Load may be any combination of speakers but impedance must be 2 Ω or larger.

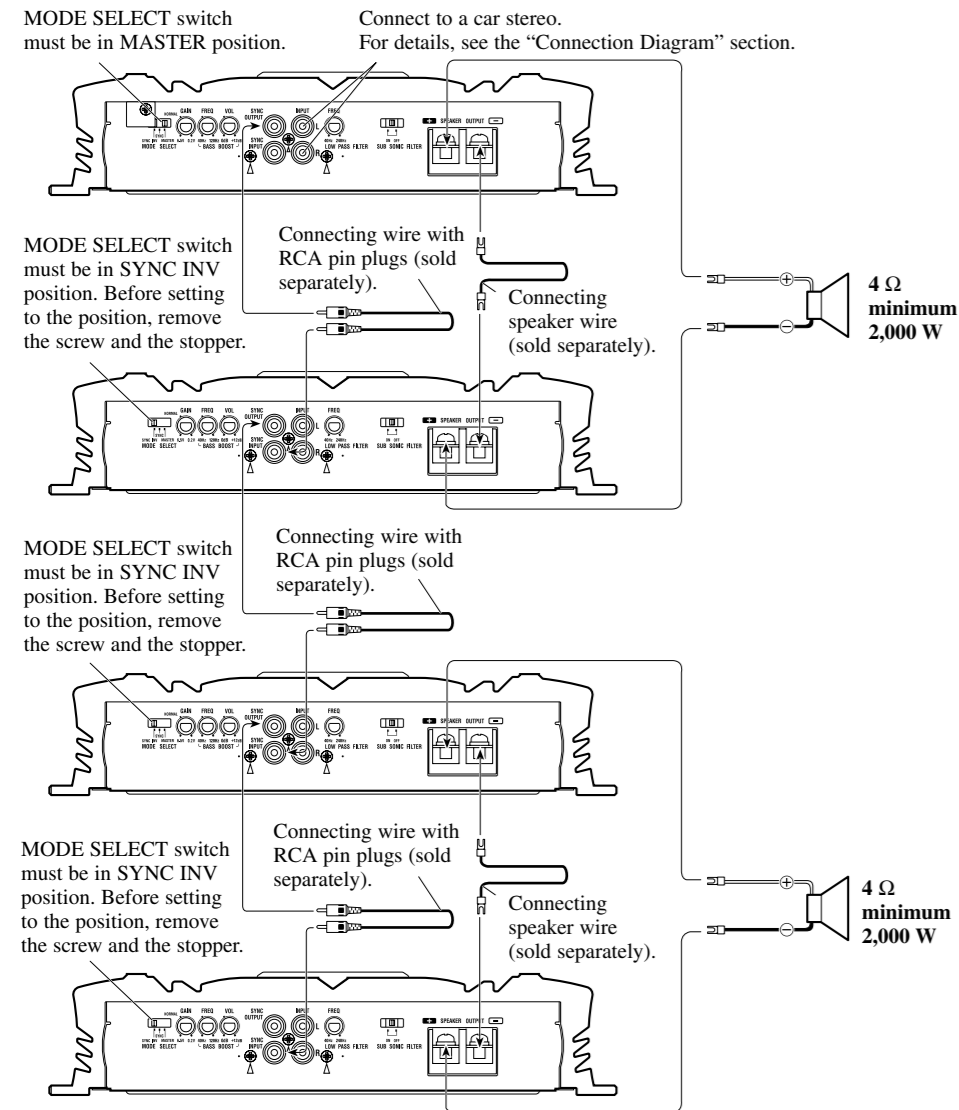
MODE SELECT switch must be in MASTER position. Connect to a car stereo. For details, see the "Connection Diagram" section.



Connecting the Unit

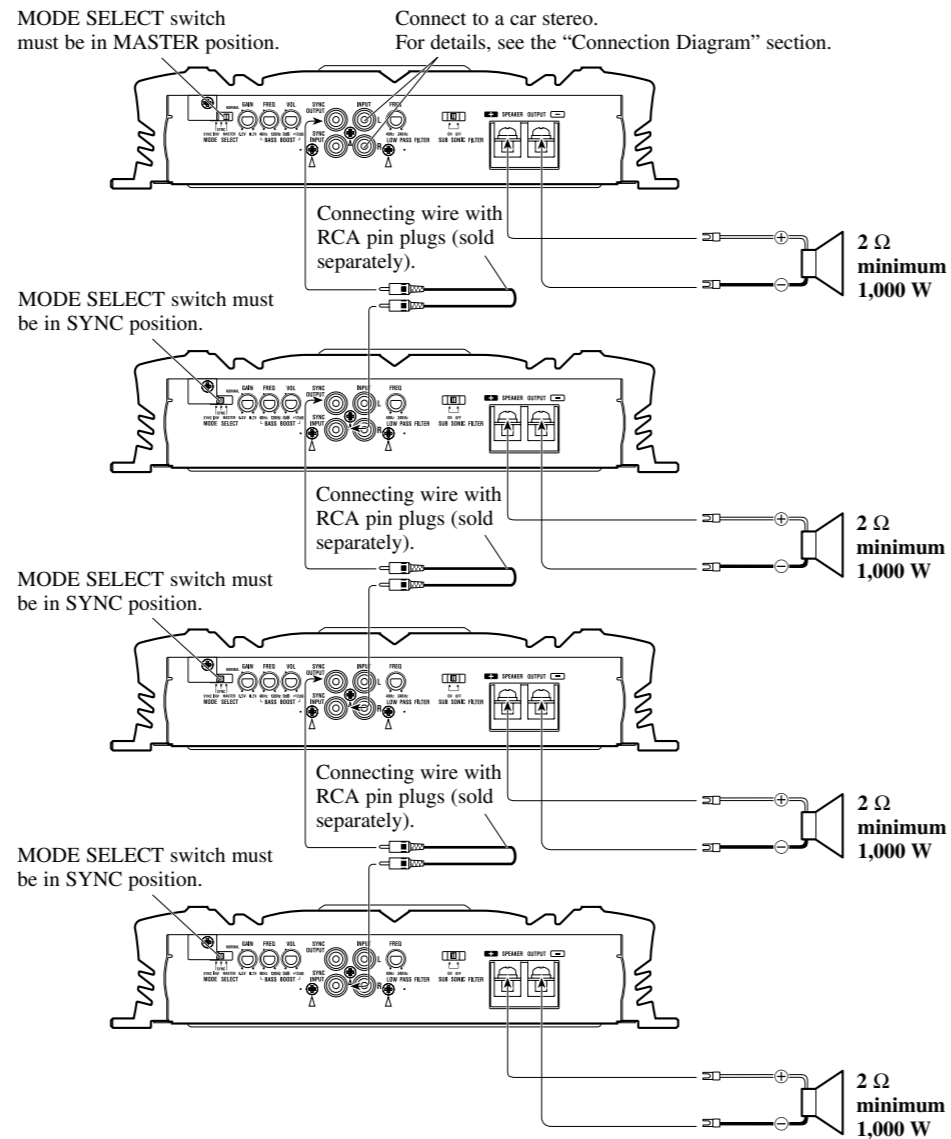
Four Amplifier Bridged

- Speaker wire size must be 12 AWG minimum.
- Load may be any combination of speakers but impedance must be 4 Ω or larger.



Four Amplifier

- Speaker wire size must be 12 AWG minimum.
- Load may be any combination of speakers but impedance must be 2 Ω or larger.



Installation

CAUTION

- Do not install in:
 - Places where it could injure the driver or passengers if the vehicle stops suddenly.
 - Places where it may interfere with the driver, such as on the floor in front of the driver's seat.
- Make sure that wires are not caught in the sliding mechanism of the seats, resulting in a short-circuit.
- Confirm that no parts are behind the panel when drilling a hole for installation of the amplifier. Protect all cables and important equipment such as fuel lines, brake lines and electrical wiring from damage.
- Install tapping screws in such a way that the screw tip does not touch any wire. This is important to prevent wires from being cut by vibration of the car, which can result in fire.
- DO NOT allow amplifier to come into contact with liquids due to, for example, the location where the amplifier is installed. Electrical shock could result. Also, amplifier and speaker damage, smoke, and overheating could result from contact with liquids. In addition, the amplifier surface and the surface of any attached speakers could become hot to the touch and minor burns could result.
- To ensure proper installation, use the supplied parts in the manner specified. If any parts other than the supplied ones are used, they may damage internal parts of the amplifier, or they may become loose causing the amplifier to shut down.
- Never replace the fuse with one of greater value or rating than the original fuse. Use of an improper fuse could result in overheating and smoke and could cause damage to the product and injury including burns.

CAUTION:

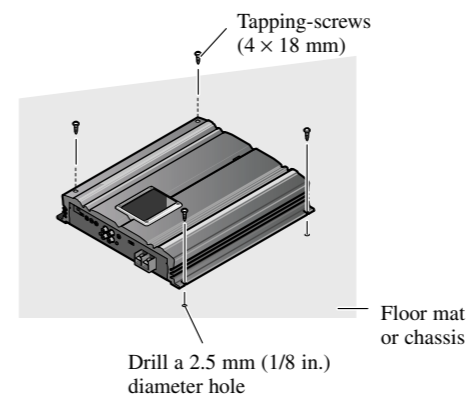
To prevent malfunction and/or injury

- To ensure proper heat dissipation of the amplifier, be sure of the following during installation.
 - Allow adequate space above the amplifier for proper ventilation.
 - Do not cover the amplifier with a floor mat or carpet.
- DO NOT allow amplifier to come into contact with liquids due to, for example, the location where the amplifier is installed. Electrical shock could result. Also, amplifier and speaker damage, smoke, and overheating could result from contact with liquids. In addition, the amplifier surface and the surface of any attached speakers could become hot to the touch and minor burns could result.

- Do not install the amplifier on unstable places such as the spare tire board.
- The best location for installation differs with the car model and installation location. Secure the amplifier at a sufficiently rigid location.
- Make temporary connections first and check that the amplifier and the system operate properly.
- After installing the amplifier, confirm that the spare tire, jack and tools can be easily removed.

Example of installation on the floor mat or on the chassis

1. Place the amplifier where it is to be installed. Insert the supplied tapping screws (4 × 18 mm) into the screw holes. Push on the screws with a screwdriver so they make marks where the installation holes are to be located.
2. Drill 2.5 mm (1/8 in.) diameter holes at the point marked, and install the amplifier, either on the carpet or directly to the chassis.



Specifications

| | |
|---------------------------------|--|
| Power source | 14.4 V DC (10.8 — 15.1 V allowable) |
| Grounding system | Negative type |
| Current consumption | 42 A (at continuous power, 4 Ω) |
| Average current drawn* | 8.3 A (4 Ω for one channel) 9.0 A (2 Ω for one channel) |
| Fuse (external) | 100 A |
| Dimensions | 300 (W) × 64 (H) × 279 (D) mm [12 (W) × 3 (H) × 11 (D) in.] |
| Weight | 5.9 kg (13 lbs.) (Leads for wiring not included) |
| Maximum power output | 1,000 W × 1 (4 Ω) / 2,000 W × 1 (2 Ω) |
| Continuous power output | 500 W × 1 (at 14.4 V, 4 Ω, 20 — 240 Hz 1.0% THD) 1,000 W × 1 (at 14.4 V, 2 Ω, 20 — 240 Hz 2.0% THD) |
| Load impedance | 4 Ω (2 — 8 Ω allowable), (Ex. Bridge 4 — 16 Ω) |
| Frequency response | 10 — 240 Hz (+0 dB, -1 dB) |
| S/N ratio | 90 dB (IHF-A network) |
| Distortion | 0.05 % (50 W, 100 Hz) |
| Low pass filter | Cut off frequency: 40 — 240 Hz Cut off slope: -24 dB/oct |
| Subsonic filter (HPF) | Frequency: 20 Hz Slope: -18 dB |
| Bass boost | Level: 0 — 12 dB Frequency: 40 — 120 Hz |
| Phase control | SYNC, SYNC INV |
| Gain control | 200 mV — 6.5 V |
| Maximum input level / impedance | RCA: 6.5 V / 22 kΩ |

| | |
|--------------|--|
| Power output | 500 W RMS × 1 channel (4 Ω and ≤ 1 % THD+N) 1,000 W RMS × 1 channel (2 Ω and ≤ 1 % THD+N, 240 Hz) |
| S/N ratio | 60 dBA (Reference: 1 W into 4 Ω) |



Note:

- Specifications and the design are subject to possible modification without notice due to improvements.

*Average current drawn

- The average current drawn is nearly the maximum current drawn by this unit when an audio signal is input. Use this value when working out total current drawn by multiple power amplifiers.

Avant d'utiliser cet appareil

Nous vous remercions d'avoir porté votre choix sur un appareil PIONEER. Il a été conçu et fabriqué pour vous apporter de nombreuses années de satisfaction. En raison des problèmes posés par l'installation de cet appareil, Pioneer vous conseille de consulter un professionnel. Avant d'utiliser l'appareil, prenez connaissance de ce mode d'emploi et tout spécialement des **AVERTISSEMENTS**. Pour toute question concernant cet appareil, veuillez vous adresser au revendeur ou à l'installateur.

Service après-vente pour un produit Pioneer

Pour toute question, et en particulier pour toute question relative au service après-vente (y compris celles qui relèvent de la garantie), veuillez vous adresser au revendeur ou au distributeur auprès de qui vous avez acquis ce produit. Dans l'hypothèse où vous ne pourriez pas être renseigné comme vous le désirez, consultez l'une des sociétés mentionnées ci-dessous. N'expédiez pas le produit à l'une de ces sociétés, quelle qu'en soit la raison, avant d'y avoir été expressément invité.

■ Etats-Unis

Pioneer Electronics (USA) Inc.
CUSTOMER SUPPORT DIVISION
P.O. Box 1760
Long Beach, CA 90801-1760
800-421-1404

■ Canada

Pioneer électroniques du Canada, Inc.
Département de service aux consommateurs
300 Allstate Parkway
Markham, Ontario L3R OP2
1-877-283-5901

Pour toute question concernant la garantie, veuillez consulter le document Garantie Limitée qui accompagne le produit.

Enregistrement du produit

Rendez-nous visite sur le site suivant:

<http://www.pioneerelectronics.com>

- 1 Enregistrez votre produit. Nous conserverons sur fichier les détails de votre achat pour vous permettre de vous reporter à ces informations en cas de déclaration de sinistre à votre assurance pour perte ou vol.
- 2 Recevez les mises à jour sur les derniers produits et les plus récentes technologies.
- 3 Téléchargez les manuels de l'utilisateur, commandez les catalogues des produits, recherchez de nouveaux produits, et bien plus.

Quelques mots concernant cet appareil

Cet appareil est un amplificateur de classe D pour haut-parleur d'extrême grave. Si les deux canaux, L (gauche) et R (droit), sont connectés à l'entrée cinch (RCA) de cet appareil, la sortie est mixée parce que cet appareil est un amplificateur monaural.

⚠ PRÉCAUTION

Ne remplacez pas le fusible par un fusible de plus grande valeur ou de plus grand calibre. L'utilisation d'un fusible inadapté peut entraîner une surchauffe et de la fumée, et peut provoquer l'endommagement de l'appareil et des blessures, y compris des brûlures.

ATTENTION

- Utilisez le câble de liaison à la batterie et le câble de masse conseillés; ils sont vendus séparément. Reliez le câble rouge à la borne positive (+) de la batterie et le câble de masse à la carrosserie du véhicule.
- Ne touchez pas l'amplificateur quand vous avez les mains mouillées, faute de quoi vous risquez de ressentir une secousse électrique. Pareillement, ne touchez pas l'amplificateur s'il est mouillé.
- Pour votre sécurité et celles des autres usagers de la route, maintenez le niveau d'écoute à une valeur telle que les bruits de la circulation demeurent nettement perceptibles.
- Vérifiez les raccordements de l'alimentation et du haut-parleur d'extrêmes graves si le fusible du câble de liaison (vendu séparément) à la batterie vient à griller. Recherchez la cause de l'anomalie puis corrigez-la; enfin, remplacez le fusible grillé par un fusible de même taille et de même calibre.
- Pour éviter d'endommager l'amplificateur et du haut-parleur d'extrême grave, le circuit de protection coupe l'alimentation de l'amplificateur (les sons ne sont plus émis) dès que survient une situation anormale. Dans ce cas, mettez l'ensemble des appareils hors tension et contrôlez les liaisons entre l'amplificateur et du haut-parleur d'extrême grave. Le cas échéant, recherchez la cause de l'anomalie et corrigez-la.
- Consultez le revendeur si vous n'êtes pas en mesure de résoudre le problème qui se pose à vous.
- Pour éviter toute secousse électrique et tout risque de court-circuit au cours des opérations de raccordement et d'installation, n'oubliez pas de débrancher le câble relié au pôle négatif de la batterie (-) avant d'effectuer quelque opération que ce soit.
- Avant d'effectuer un perçage requis par l'installation de l'amplificateur, assurez-vous que vous pouvez le faire sans danger pour les câbles, canalisations, flexibles, etc., qui sont placés derrière le panneau que vous devez percer.
- NE LAISSEZ PAS l'amplificateur entrer en contact avec des liquides à cause, par exemple, de l'emplacement où il a été placé. Cela pourrait entraîner une secousse électrique. De plus, le contact avec un liquide pourrait endommager l'amplificateur et les enceintes, produire de la fumée ou surchauffer l'appareil. Enfin, la surface de l'amplificateur et des enceintes connectées peut devenir chaude au toucher et entraîner de légères brûlures.

Réglage de l'appareil

Commande du gain

Si le niveau d'écoute est faible même lorsque la commande de l'autoradio est sur la position correspondant au maximum, tournez la commande de gain, placée à l'avant de l'amplificateur, dans le sens des aiguilles d'une montre. Inversement, si vous constatez de la distorsion lorsque vous augmentez le niveau de sortie de l'autoradio, tournez cette commande dans le sens contraire des aiguilles d'une montre.

- Choisissez la position NORMAL si l'autoradio stéréo est équipé de prises Cinch (RCA) (niveau de sortie standard à 500 mV). Si cet appareil est utilisé conjointement avec un autoradio stéréo Pioneer pourvu de prises Cinch (RCA) sur lesquelles peuvent se trouver une tension de sortie de 4 V ou plus, réglez le niveau en fonction du niveau de sortie de l'autoradio.
- Pour la commande de gain de l'amplificateur associé, reportez-vous à la section "Réglage du gain de l'amplificateur associé".

Commutateur MODE SELECT

Vous pouvez sélectionner le mode de synchronisation de l'amplificateur, à savoir MASTER, SYNC et SYNC INV. Pour ce qui concerne la position du commutateur MODE SELECT, reportez-vous à la section "Connexion des câbles des haut-parleurs".

Commande d'amplitude de l'accentuation des graves

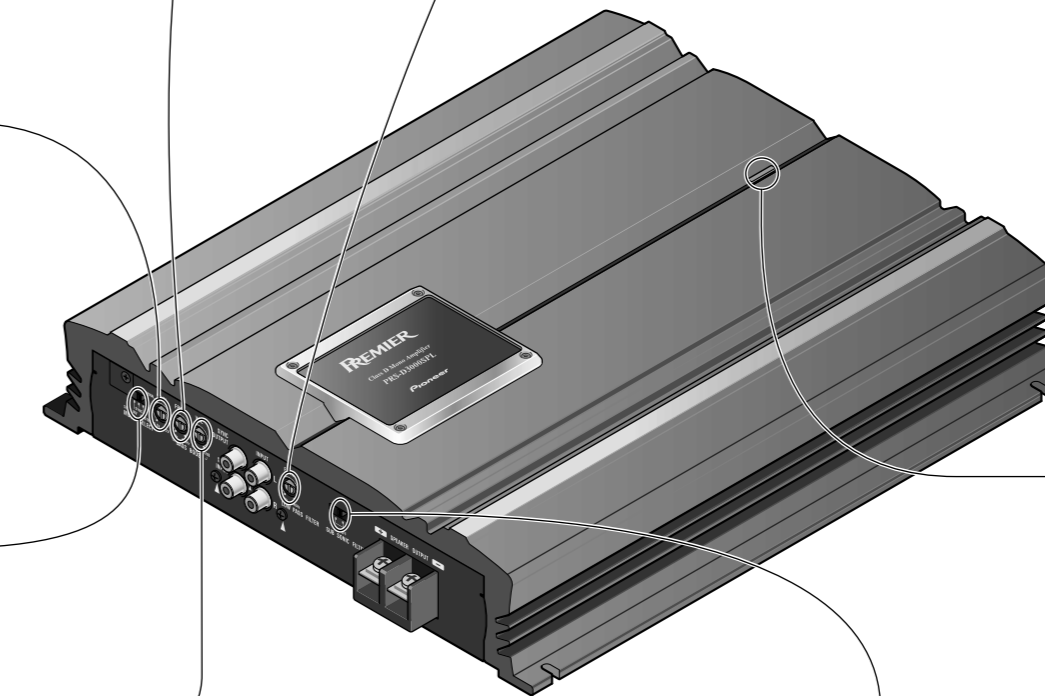
Après avoir choisie la fréquence grave à accentuer au moyen de la commande de fréquence, il est possible de faire varier, dans la plage de 0 à 12 dB, l'amplitude des signaux au voisinage de cette fréquence en agissant sur la commande d'amplitude.

Commande de fréquence de l'accentuation des graves

Cette commande permet de choisir la fréquence, entre 40 Hz et 120 Hz, autour de laquelle doit s'effectuer l'accentuation.

Commande de la fréquence de coupure pour LPF

La fréquence de coupure peut être choisie entre 40 et 240 Hz.



Témoin d'alimentation

Ce témoin s'éclaire lorsque l'amplificateur est sous tension.

Sélecteur infrasonore

Le filtre infrasonore coupe les fréquences inférieures à 20 Hz afin de supprimer les vibrations indésirables et de réduire les pertes de puissance.

⚠ PRÉCAUTION

- Pour éviter tout risque de court-circuit ou d'endommager cet appareil, débranchez le câble relié à la borne négative (-) de la batterie, au niveau de cette borne.
- Fixez les câbles au moyen de colliers ou du ruban adhésif. Lorsque l'isolant du câble peut être endommagé par une pièce métallique, assurez sa protection en le gainant de ruban adhésif.
- Faites cheminer les câbles en évitant les zones chaudes telles que les bouches du chauffage. La chaleur peut endommager l'isolant et il peut en résulter un court-circuit si l'âme du câble vient en contact avec la carrosserie.

⚠ PRÉCAUTION:

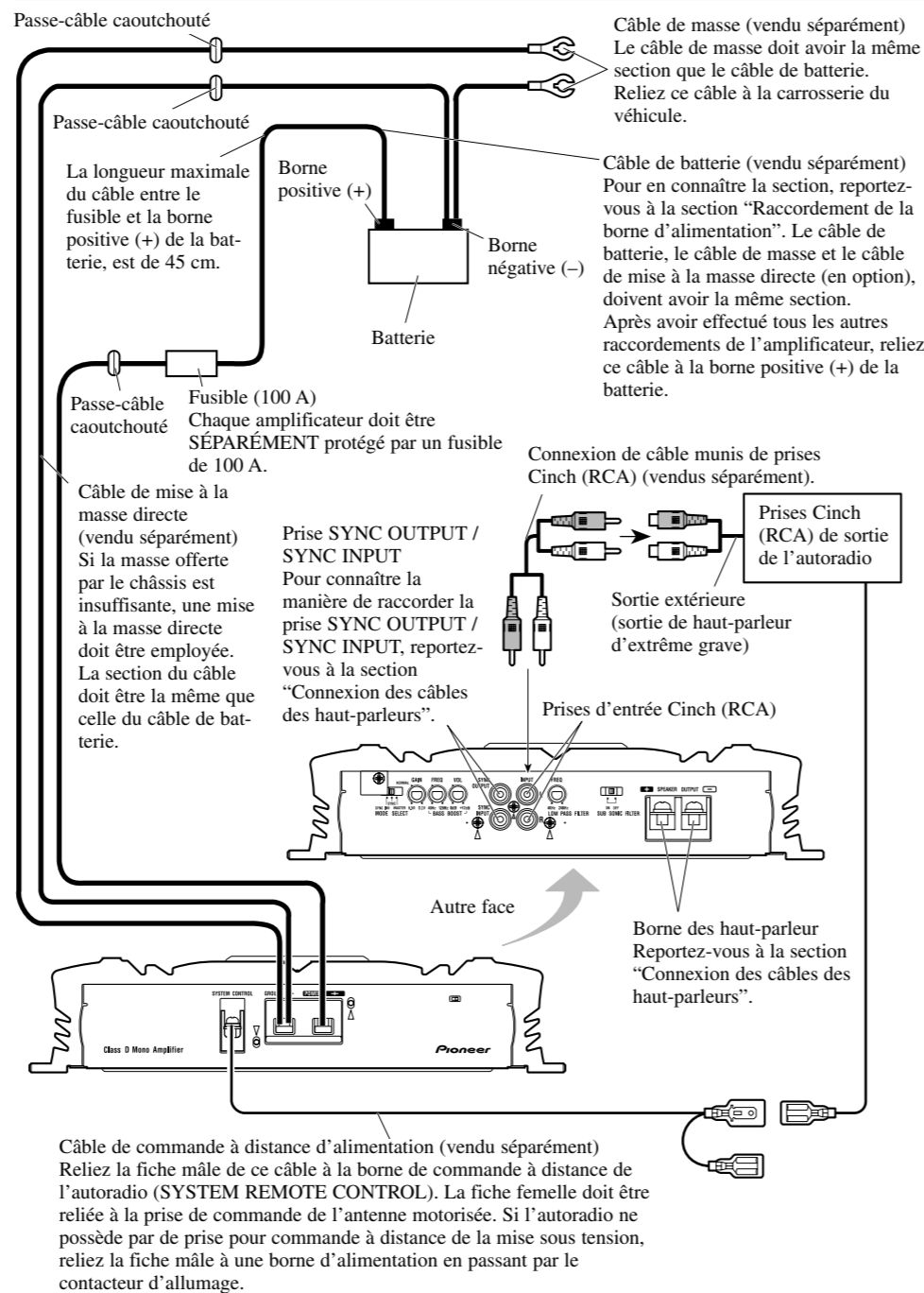
Pour éviter toute anomalie ou blessure

- Ne reliez pas à la masse le câble (-) d'un haut-parleur; ne reliez pas ensemble plusieurs câbles négatifs de haut-parleurs.
- Cet appareil est conçu pour les véhicules alimentés par une batterie 12 V dont le pôle négatif est à la masse. Avant d'installer cet appareil, contrôlez la tension de la batterie.
- Si vous conservez l'autoradio en fonctionnement alors que le moteur est arrêté ou tourne au ralenti, la batterie peut être déchargée au bout d'un certain temps. Pour éviter cela, mettez l'autoradio hors tension.
- Si le câble de commande à distance de l'amplificateur est relié à la borne d'alimentation par l'intermédiaire du contacteur d'allumage (12 V CC), l'amplificateur sera sous tension dès que vous mettez le contact, et cela quelle que soit la situation de l'autoradio. En conséquence, la batterie peut être rapidement déchargée si le moteur ne tourne pas, ou tourne au ralenti.
- **NE RACCORDEZ PAS un haut-parleur d'extrêmes graves dont l'impédance serait inférieure à celle prescrite dans la section "Raccordement de l'appareil".** Il pourrait en résulter un endommagement de l'amplificateur, voire de la production de fumée accompagnée de surchauffe. La surface de l'amplificateur pourrait s'échauffer au point de causer des brûlures légères.

- Assurez-vous que les câbles ne gênent en rien la manoeuvre des organes mobiles tels que rails de siège mais aussi levier de frein de stationnement, pédale de frein, etc.
- N'alimentez pas un appareil par un piquage sur le câble qui alimente un autre appareil. Ce câble n'a peut-être pas la section suffisante pour supporter sans danger l'intensité consommée par les deux appareils.
- Ne remplacez pas le fusible par un fusible de plus grande valeur ou de plus grand calibre. L'utilisation d'un fusible inadapté peut entraîner une surchauffe et de la fumée, et peut provoquer l'endommagement de l'appareil et des blessures, y compris des brûlures.

- Reliez l'un de ces deux caissons de graves à l'amplificateur; 1: un caisson de graves ayant une puissance admissible de 500 W ou mieux et une impédance de 4 Ω, ou 2: un caisson de graves ayant une puissance admissible de 1.000 W ou mieux et une impédance de 2 Ω. Si l'entrée nominale et l'impédance sont au-dessus de ces plages, le haut-parleur d'extrême grave risque de prendre feu, d'émettre de la fumée ou d'être endommagé.
 - Installez le câble de liaison à la batterie, vendu séparément, et faites-le cheminer aussi loin que possible des câbles de liaison aux haut-parleurs. Installez le câble de liaison à la batterie, vendu séparément, le câble de masse, les câbles de liaison aux haut-parleurs et l'amplificateur aussi loin que possible de l'antenne, du câble d'antenne et du syntoniseur.
- Les câbles de cet appareil et ceux d'autres appareils peuvent fort bien ne pas être de la même couleur bien que remplissant la même fonction. Pour relier cet appareil à un autre appareil, utilisez le manuel d'installation de chacun et effectuez les raccordements en ne tenant compte que de la fonction de chaque câble.

Schéma de raccordement



Raccordement de la borne d'alimentation

- Utilisez le câble de liaison à la batterie et le câble de masse conseillés; ils sont vendus séparément. Reliez le câble rouge à la borne positive (+) de la batterie et le câble de masse à la carrosserie du véhicule.
- La section conseillée des câbles est la suivante (suivant AWG, American Wire Gauge). Le câble de batterie, le câble de masse et le câble de mise à la masse directe doivent avoir la même section.

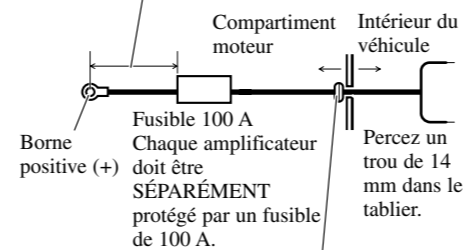
Section de câble de la batterie et le câble de masse

| Longueur du câble | moins de 1,2 m | 1,2—2,1 m | 2,1—3,0 m |
|-------------------|----------------|-----------|-----------|
| Section du câble | 6 AWG | 6 AWG | 6 AWG |
| 3,0—3,9 m | 3,9—4,8 m | 4,8—5,7 m | 5,7—6,7 m |
| 6 AWG | 4 AWG | 4 AWG | 4 AWG |

1. Faites passer le câble de liaison à la batterie du compartiment moteur vers l'intérieur du véhicule.

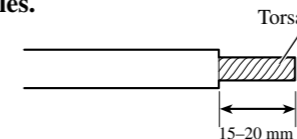
- Après avoir effectué tous les autres raccordements de l'amplificateur, reliez la borne d'alimentation de l'amplificateur à la borne positive (+) de la batterie.

La longueur maximale du câble entre le fusible et la borne positive (+) de la batterie, est de 45 cm.



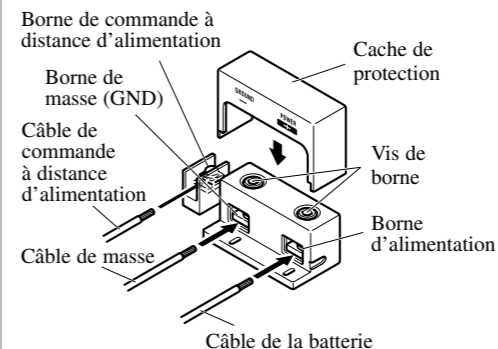
Engagez le passe-câble en caoutchouc dans le perçage pour assurer la protection du câble.

2. Dénudez l'extrémité du câble de la batterie et du câble de masse par une pince ou un couteau sur 15-20 mm environ et torsadez les brins des câbles.



3. Reliez les câbles aux bornes.

- Avant de relier les câbles aux bornes, retirez le cache de protection. Lorsque le raccordement est terminé, remplacez le cache de protection.
- Serrez soigneusement les câbles au moyen des vis.

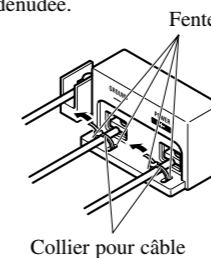


⚠ ATTENTION

Faute de serrer soigneusement le câble de batterie sur la borne au moyen d'une vis de borne, une élévation importante de température de la borne peut se produire et provoquer dommages et blessures, y compris brûlures légères.

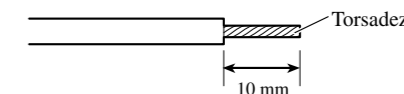
4. Engagez les colliers de câble dans les fentes et liez les câbles au moyen des colliers.

- Le collier doit entourer les câbles au niveau de leur isolant et non pas à hauteur de la partie dénudée.



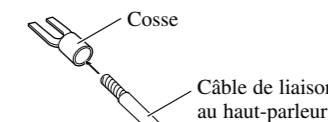
Raccordement des bornes des haut-parleurs

1. Dénudez l'extrémité des câbles de liaison aux haut-parleurs par une pince ou un couteau sur 10 mm environ et torsadez les brins des câbles.



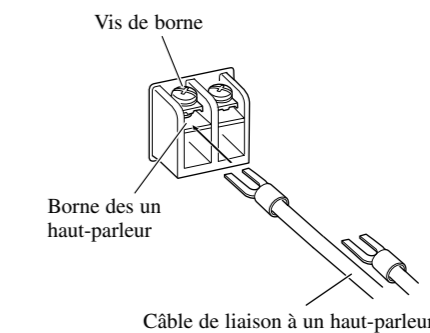
2. Fixez une cosse à l'extrémité de chaque câble de haut-parleur. Les cosse ne sont pas fournies.

- Utilisez un outil spécial, etc., pour sertir la cosse sur le câble.



3. Reliez les câbles de liaisons aux haut-parleurs aux bornes des haut-parleurs.

- Serrez soigneusement les cosse au moyen des vis.



Raccordement de l'appareil

Réglage du gain de l'amplificateur associé

Après avoir relié les câbles des haut-parleurs, réglez la commande de gain de l'amplificateur associé. Les amplificateurs associés suivent les réglages de l'amplificateur maître.

Réglage sommaire du gain

Réglez la commande de gain de chaque amplificateur sur la position NORMAL. Ce réglage est suffisant pour obtenir une sortie équilibrée dans la majeure partie des cas.

Réglage fin du gain

Réglez la commande de gain de chaque amplificateur associé, en commençant par l'amplificateur maître.

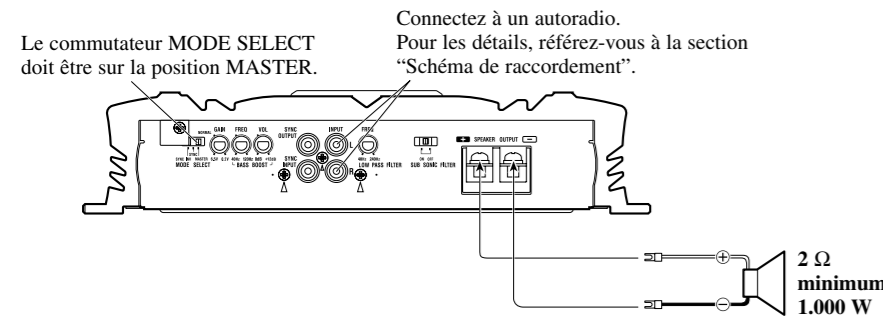
1. À l'aide de ce système, générez une sinusoïde de basse amplitude.
2. Au moyen d'un voltmètre, mesurez l'amplitude de la tension de sortie de l'amplificateur maître.
3. Au moyen d'un voltmètre, mesurez l'amplitude de la tension de sortie de l'amplificateur associé.
4. Au moyen de la commande de gain de l'amplificateur associé, réglez la tension de sortie de l'amplificateur associé au même niveau que celle de l'amplificateur maître.
5. Répétez les mêmes opérations, dans l'ordre, pour tous les amplificateurs associés.

Connexion des câbles des haut-parleurs

Reliez les câbles de liaison aux haut-parleurs en fonction de la configuration et en vous inspirant des figures ci-dessous et de celles de la page qui suit.

Amplificateur unique

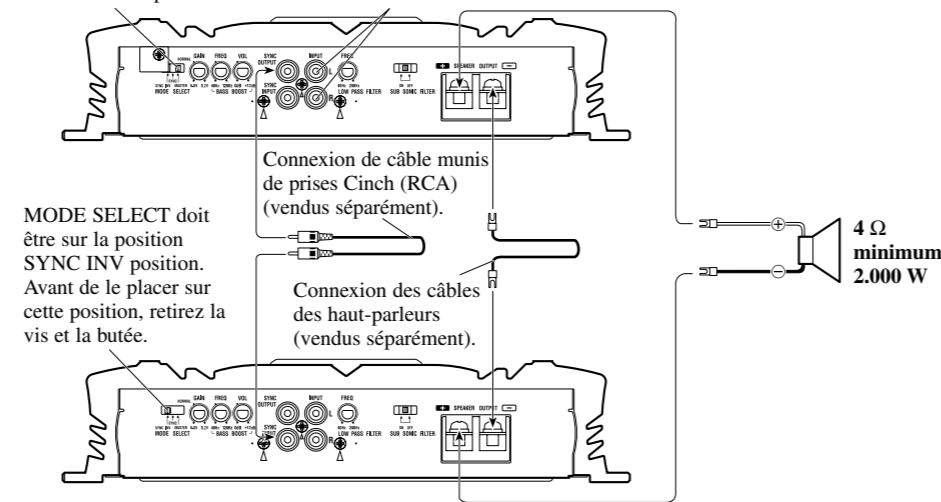
- La section du câble doit être au moins égale à 12 AWG.
- La charge peut être constituée par une combinaison quelconque de haut-parleurs mais l'impédance doit être au moins égale à 2 Ω.



Deux amplificateurs pontés

- La section du câble doit être au moins égale à 12 AWG.
- La charge peut être constituée par une combinaison quelconque de haut-parleurs mais l'impédance doit être au moins égale à 4 Ω.

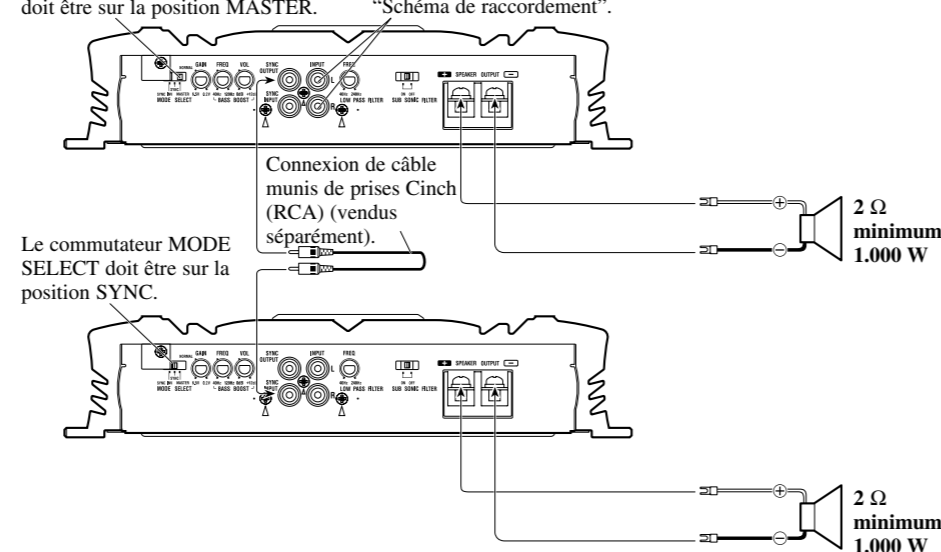
Le commutateur MODE SELECT doit être sur la position MASTER.



Deux amplificateurs

- La section du câble doit être au moins égale à 12 AWG.
- La charge peut être constituée par une combinaison quelconque de haut-parleurs mais l'impédance doit être au moins égale à 2 Ω.

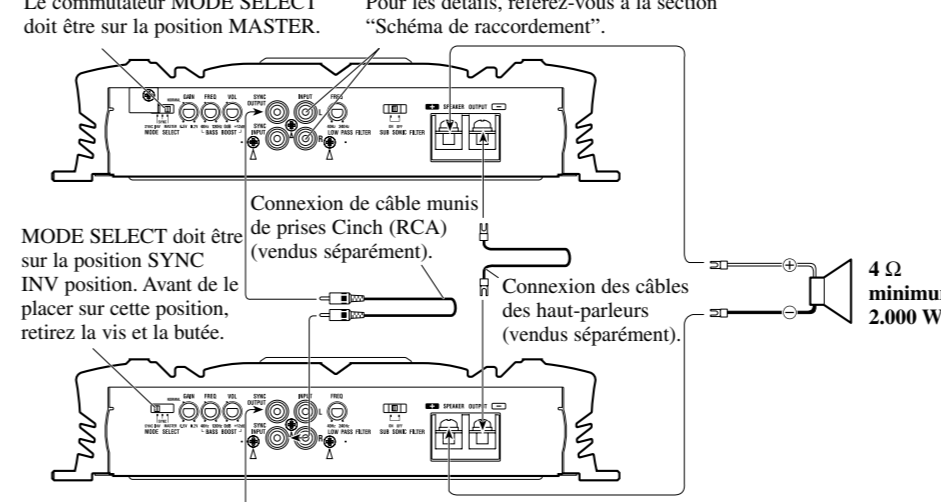
Le commutateur MODE SELECT doit être sur la position MASTER.



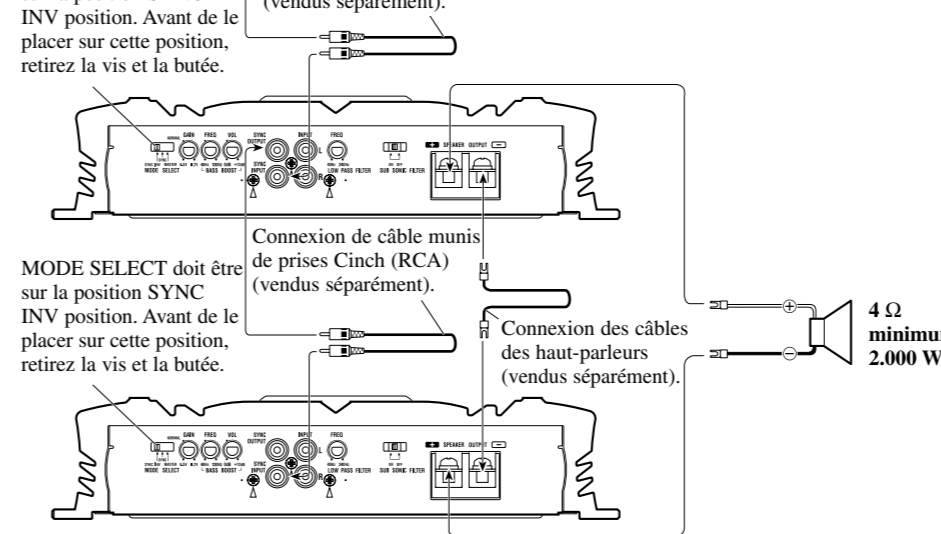
Quatre amplificateurs pontés

- La section du câble doit être au moins égale à 12 AWG.
- La charge peut être constituée par une combinaison quelconque de haut-parleurs mais l'impédance doit être au moins égale à 4 Ω.

Le commutateur MODE SELECT doit être sur la position MASTER.



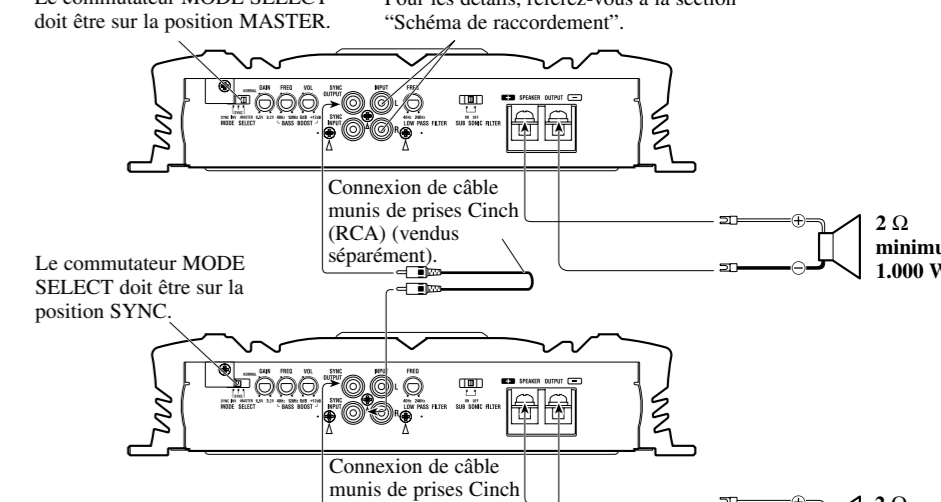
MODE SELECT doit être sur la position SYNC INV position. Avant de le placer sur cette position, retirez la vis et la butée.



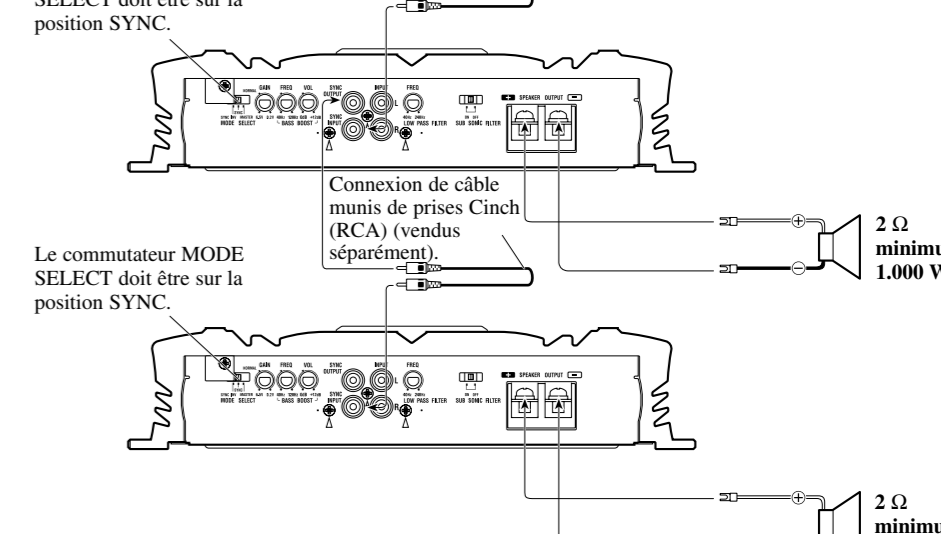
Quatre amplificateurs

- La section du câble doit être au moins égale à 12 AWG.
- La charge peut être constituée par une combinaison quelconque de haut-parleurs mais l'impédance doit être au moins égale à 2 Ω.

Le commutateur MODE SELECT doit être sur la position MASTER.



Le commutateur MODE SELECT doit être sur la position SYNC.



Installation

⚠ PRÉCAUTION

- N'installez pas l'appareil:
 - dans un endroit où il pourrait blesser un occupant du véhicule en cas d'arrêt brusque;
 - dans un endroit où il pourrait gêner le conducteur, par exemple devant son siège.
- Veillez à ce que les câbles ne puissent pas être pincés et endommagés par les sièges, ce qui peut conduire à un court-circuit.
- Avant d'effectuer un perçage requis par l'installation de l'amplificateur, assurez-vous que vous pouvez le faire sans danger pour les câbles, canalisations, flexibles, etc., qui sont placés derrière le panneau que vous devez percer.
- Posez les vis autotaraudeuses de manière que leur extrémité ne puisse pas endommager les câbles. Il est important que l'isolant d'un câble ne soit pas endommagé par le frottement sur une pièce, ce qui pourrait ultérieurement entraîner un court-circuit.
- NE LAISSEZ PAS l'amplificateur entrer en contact avec des liquides à cause, par exemple, de l'emplacement où il a été placé. Cela pourrait entraîner une secousse électrique. De plus, le contact avec un liquide pourrait endommager l'amplificateur et les enceintes, produire de la fumée ou surchauffer l'appareil. Enfin, la surface de l'amplificateur et des enceintes connectées peut devenir chaude au toucher et entraîner de légères brûlures.
- Pour effectuer convenablement l'installation, utilisez les pièces fournies et procédez comme il est indiqué. L'utilisation de pièces autres que celles fournies peut endommager l'amplificateur.
- Ne remplacez pas le fusible par un fusible de plus grande valeur ou de plus grand calibre. L'utilisation d'un fusible inadapté peut entraîner une surchauffe et de la fumée, et peut provoquer l'endommagement de l'appareil et des blessures, y compris des brûlures.

⚠ PRÉCAUTION:

Pour éviter toute anomalie de fonctionnement ou blessure

- Pour que la chaleur puisse se dissiper sans mal, respectez ce qui suit:
 - veillez à ce qu'un espace dégagé existe au-dessus de l'amplificateur;
 - ne recouvrez pas l'amplificateur d'un tapis ou d'une moquette.
- NE LAISSEZ PAS l'amplificateur entrer en contact avec des liquides à cause, par exemple, de l'emplacement où il a été placé. Cela pourrait entraîner une secousse électrique.

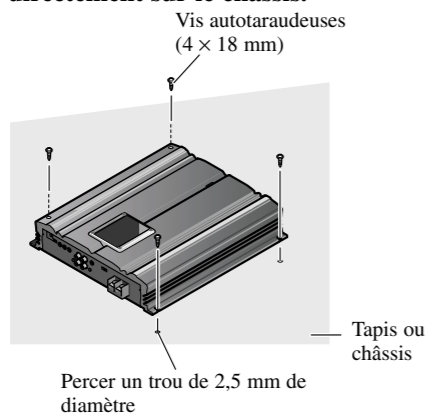
De plus, le contact avec un liquide pourrait endommager l'amplificateur et les enceintes, produire de la fumée ou surchauffer l'appareil. Enfin, la surface de l'amplificateur et des enceintes connectées peut devenir chaude au toucher et entraîner de légères brûlures.

- N'installez pas l'amplificateur sur une surface instable telle que le tapis amovible cachant la roue de secours.
- Le meilleur emplacement d'installation dépend du véhicule, mais, quoi qu'il en soit, doit être rigide et solide.
- Effectuez tout d'abord des raccordements temporaires pour vous assurer que l'amplificateur et les autres appareils fonctionnent correctement.
- Choisissez un emplacement qui permette le retrait sans peine de la roue de secours, du cric et de la boîte à outils.

Exemple d'installation sur le tapis de sol ou sur le châssis

1. Posez l'amplificateur à l'emplacement choisi. Introduisez les vis autotaraudeuses fournies (4 × 18 mm) dans les perçages. Appuyez fermement sur les vis au moyen d'un tournevis pour marquer les points de perçage.

2. Percer des trous de 2,5 mm de diamètre aux emplacements marqués puis fixez l'amplificateur soit à travers le tapis, soit directement sur le châssis.



Caractéristiques techniques

| | |
|--|--|
| Alimentation | 14,4 V CC (10,8 — 15,1 V permis) |
| Mise à la masse | Pôle négatif de la batterie |
| Consommation de courant | 42 A (à la puissance continue, 4 Ω) |
| Consommation moyenne de courant* | 8,3 A (4 Ω pour une voie) 9,0 A (2 Ω pour une voie) |

| | |
|------------------------------------|--|
| Fusible (externe) | 100 A |
| Dimensions | 300 (L) × 64 (H) × 279 (P) mm |
| Poids | 5,9 kg (sans les câbles) |
| Puissance maximale de sortie | 1.000 W × 1 (4 Ω) / 2.000 W × 1 (2 Ω) |
| Puissance continue de sortie | 500 W × 1 (à 14,4 V, 4 Ω, 20 — 240 Hz 1,0% THD) 1.000 W × 1 (à 14,4 V, 2 Ω, 20 — 240 Hz 2,0% THD) |

| | |
|----------------------------|---|
| Impédance de charge | 4 Ω (2 — 8 Ω permis), (Ex. Pont 4 — 16 Ω) |
| Réponse en fréquence | 10 — 240 Hz (+0 dB, -1 dB) |
| Rapport signal/bruit | 90 dB (Réseau IHF-A) |
| Distorsion | 0,05 % (50 W, 100 Hz) |
| Filtre passe-bas | Fréquence de coupure: 40 — 240 Hz |

| | |
|--------------------------------|---|
| Filtre infrasonore (HPF) | Fréquence: 20 Hz Pente: -24 dB/oct |
| Accentuation des graves | Niveau: 0 — 12 dB Fréquence: 40 — 120 Hz |

| | |
|--|--------------------|
| Commande de phase | SYNC, SYNC INV |
| Commande de gain | 200 mV — 6,5 V |
| Niveau maximale / impédance d'entrée | RCA: 6,5 V / 22 kΩ |

| | |
|----------------------------|--|
| Puissance de sortie | 500 W eff. × 1 voie (4 Ω et \leq 1 % DHT+N) 1.000 W eff. × 1 voie (2 Ω et \leq 1 % DHT+N, 240 Hz) |
| Rapport signal/bruit | 60 dBA (Référence: 1 W sur 4 Ω) |



Remarque:

- Les caractéristiques et la présentation peuvent être modifiées sans avis préalable à fin d'amélioration.

*Consommation moyenne de courant

- Le courant moyen est proche du courant maximal lorsqu'un signal audio est appliqué à l'entrée de l'amplificateur. Utilisez cette valeur lorsque vous désirez calculer le courant total consommé par plusieurs amplificateurs de puissance.

Free Manuals Download Website

<http://myh66.com>

<http://usermanuals.us>

<http://www.somanuals.com>

<http://www.4manuals.cc>

<http://www.manual-lib.com>

<http://www.404manual.com>

<http://www.luxmanual.com>

<http://aubethermostatmanual.com>

Golf course search by state

<http://golfingnear.com>

Email search by domain

<http://emailbydomain.com>

Auto manuals search

<http://auto.somanuals.com>

TV manuals search

<http://tv.somanuals.com>