

High power CD player with FM/AM tuner

Syntoniseur FM/AM et lecteur de CD, "Puissance élevée"

**SUPER TUNER III**

## Operation Manual

**DEH-1400**  
**DEH-14**

**Mode d'emploi**

**Pioneer**

English

Français

Español

## Thank you for buying this Pioneer product.

Please read through these operating instructions so you will know how to operate your model properly. *After you have finished reading the instructions, put them away in a safe place for future reference.*

### Before You Start

- Dear Customer **2**
- About this unit **3**
- About this manual **3**
- After-sales service for Pioneer products **3**
- Precautions **3**
- Protecting your unit from theft **4**
  - Removing the front panel **4**
  - Attaching the front panel **4**
- What's what **5**

### Power ON/OFF

- Turning the unit on **6**
- Selecting a source **6**
- Turning the unit off **6**

### Tuner

- Listening to the radio **6**
- Storing and recalling broadcast frequencies **7**
- Tuning in strong signals **8**
- Storing the strongest broadcast frequencies **8**

### Built-in CD Player

- Playing a CD **8**
- Playing tracks in a random order **9**
- Repeating play **9**
- Pausing CD playback **9**

### Audio Adjustments

- Introduction of audio adjustments **10**
- Using balance adjustment **10**
- Using the equalizer **11**
  - Recalling equalizer curves **11**
  - Adjusting equalizer curves **11**
- Adjusting loudness **11**
- Front image enhancer (FIE) **12**
- Adjusting source levels **12**

### Other Functions

- Setting the time **13**
- Setting the time display on or off **13**

### Additional Information

- CD player and care **14**
- CD-R/CD-RW discs **14**
- Understanding built-in CD player error messages **15**
- Specifications **16**



## Dear Customer:

Selecting fine audio equipment such as the unit you’ve just purchased is only the start of your musical enjoyment. Now it’s time to consider how you can maximize the fun and excitement your equipment offers. This manufacturer and the Electronic Industries Association’s Consumer Electronics Group want you to get the most out of your equipment by playing it at a safe level. One that lets the sound come through loud and clear without annoying blaring or distortion—and, most importantly, without affecting your sensitive hearing.

Sound can be deceiving. Over time your hearing “comfort level” adapts to higher volumes of sound. So what sounds “normal” can actually be loud and harmful to your hearing. Guard against this by setting your equipment at a safe level BEFORE your hearing adapts.

### To establish a safe level:

- Start your volume control at a low setting.
- Slowly increase the sound until you can hear it comfortably and clearly, and without distortion.

### Once you have established a comfortable sound level:

- Set the dial and leave it there.

Taking a minute to do this now will help to prevent hearing damage or loss in the future. After all, we want you listening for a lifetime.

## We Want You Listening For A Lifetime

Used wisely, your new sound equipment will provide a lifetime of fun and enjoyment. Since hearing damage from loud noise is often undetectable until it is too late, this manufacturer and the Electronic Industries Association’s Consumer Electronics Group recommend you avoid prolonged exposure to excessive noise. This list of sound levels is included for your protection.

### Decibel

<u>Level</u>	<u>Example</u>
30	Quiet library, soft whispers
40	Living room, refrigerator, bedroom away from traffic
50	Light traffic, normal conversation, quiet office
60	Air conditioner at 20 feet, sewing machine
70	Vacuum cleaner, hair dryer, noisy restaurant
80	Average city traffic, garbage disposals, alarm clock at two feet.

### THE FOLLOWING NOISES CAN BE DANGEROUS UNDER CONSTANT EXPOSURE

90	Subway, motorcycle, truck traffic, lawn mower
100	Garbage truck, chain saw, pneumatic drill
120	Rock band concert in front of speakers, thunderclap
140	Gunshot blast, jet plane
180	Rocket launching pad

Information courtesy of the Deafness Research Foundation.



## Before You Start

### About this unit

The tuner frequencies on this unit are allocated for use in North America. Use in other areas may result in improper reception.



#### Important

The serial number is located on the top of this unit. For your own security and convenience, be sure to record this number on the enclosed warranty card. ▣

### About this manual

This unit features a number of sophisticated functions ensuring superior reception and operation. All the functions have been designed for the easiest possible use, but many are not self-explanatory. This operation manual will help you benefit fully from this product's potential and to maximize your listening enjoyment.

We recommend that you familiarize yourself with the functions and their operation by reading through the manual before you begin using this unit. It is especially important that you read and observe precautions on this page and in other sections. ▣

### After-sales service for Pioneer products

Please contact the dealer or distributor from where you purchased this unit for after-sales service (including warranty conditions) or any other information. In case the necessary information is not available, please contact the companies listed below:

Please do not ship your unit to the companies at the addresses listed below for repair without advance contact.

#### U.S.A.

Pioneer Electronics Service, Inc.  
CUSTOMER SERVICE DEPARTMENT  
P.O. Box 1760  
Long Beach, CA 90801  
800-421-1404

#### CANADA

Pioneer Electronics of Canada, Inc.  
CUSTOMER SATISFACTION DEPARTMENT  
300 Allstate Parkway  
Markham, Ontario L3R 0P2  
(905) 479-4411  
1-877-283-5901

For warranty information please see the Limited Warranty sheet included with this unit. ▣

### Precautions

**CAUTION: USE OF CONTROL OR ADJUSTMENT OR PERFORMANCE OF PROCEDURES OTHER THAN THOSE SPECIFIED HEREIN MAY RESULT IN HAZARDOUS RADIATION EXPOSURE.**

**CAUTION: THE USE OF OPTICAL INSTRUMENTS WITH THIS PRODUCT WILL INCREASE EYE HAZARD.**

- Keep this manual handy as a reference for operating procedures and precautions.
- Always keep the volume low enough so you can hear sounds outside of the car.
- Protect this product from moisture.
- If the battery is disconnected or discharged, the preset memory will be erased and must be reprogrammed. ▣

### Protecting your unit from theft

The front panel can be detached from the head unit to discourage theft.

#### Important

- Never use force or grip the display and the buttons tightly when removing or attaching.
- Avoid subjecting the front panel to excessive shocks.
- Keep the front panel out of direct sunlight and high temperatures.

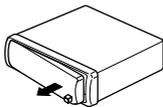
### Removing the front panel

#### 1 Press **DETACH** to release the front panel.

Press **DETACH** and the right side of the panel is released from the head unit.

#### 2 Grab the front panel and remove.

Grab the right side of the front panel and pull away to the left. The front panel will be detached from the head unit.

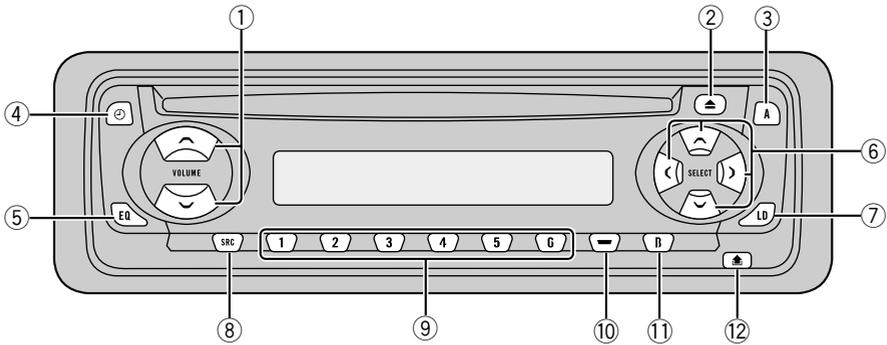


### Attaching the front panel

#### 1 Place the front panel flat against the head unit.

#### 2 Press the front panel into the face of the head unit until it is firmly seated.

## Before You Start



### What's what

#### ① **VOLUME button**

Press to increase or decrease the volume.

#### ② **CD EJECT button**

Press to eject a CD from your built-in CD player.

#### ③ **AUDIO button**

Press to select various sound quality controls.

#### ④ **CLOCK button**

Press to switch clock display on or off.

#### ⑤ **EQ button**

Press to select various equalizer curves.

#### ⑥ **▲/▼/◀/▶ buttons**

Press to do manual seek tuning, fast forward, reverse and track search controls. Also used for controlling functions.

#### ⑦ **LOUDNESS button**

Press to switch loudness function on or off.

#### ⑧ **SOURCE button**

This unit is switched on by selecting a source. Press to cycle through all of the available sources.

#### ⑨ **1-6 (PRESET TUNING) buttons**

Press for preset tuning.

#### ⑩ **LOCAL/BSM button**

#### ⑪ **BAND button**

Press to select among three FM and one AM band and cancel the control mode of functions.

#### ⑫ **DETACH button**

Press to remove the front panel from the head unit. ■

## Power ON/OFF

### Turning the unit on

#### Press SOURCE to turn the unit on.

When you select a source the unit is turned on.



### Selecting a source

You can select a source you want to listen to. To switch to the built-in CD player, load a disc in this unit (refer to page 8).

#### Press SOURCE to select a source.

Press **SOURCE** repeatedly to switch between the following sources:

#### Built-in CD player—Tuner



#### Notes

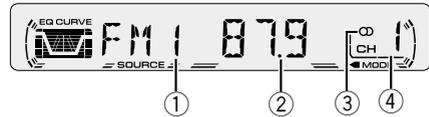
- When no disc is set in this product, built-in CD player source will not change.
- When this unit's blue/white lead is connected to the car's auto-antenna relay control terminal, the car's antenna extends when this unit's source is switched on. To retract the antenna, switch the source off.

### Turning the unit off

Press **SOURCE** and hold for at least one second to turn the unit off.

## Tuner

### Listening to the radio



#### ① BAND indicator

Shows which band the radio is tuned to, AM or FM.

#### ② FREQUENCY indicator

Shows to which frequency the tuner is tuned.

#### ③ STEREO (Ⓞ) indicator

Shows that the frequency selected is being broadcast in stereo.

#### ④ PRESET NUMBER indicator

Shows what preset has been selected.

## 1 Press **SOURCE** to select the tuner.

## 2 Use **VOLUME** to adjust the sound level.

When you press **VOLUME** up/+, the volume is raised and when pressed down/–, the volume is lowered.

## 3 Press **BAND** to select a band.

Press **BAND** until the desired band is displayed, **FM1**, **FM2**, **FM3** for FM or **AM**.

## 4 To perform manual tuning, press ◀ or ▶ with quick presses.

The frequencies move up or down step by step.

## 5 To perform seek tuning, press and hold ◀ or ▶ for about one second and release.

The tuner will scan the frequencies until a broadcast strong enough for good reception is found.

- You can cancel seek tuning by pressing either ◀ or ▶ with a quick press.
- If you press and hold ◀ or ▶ you can skip broadcasting stations. Seek tuning starts as soon as you release the buttons.



### Note

- When the frequency selected is being broadcast in stereo the **STEREO** (◻) indicator will light. ◻

## Storing and recalling broadcast frequencies

If you press any of the **PRESET TUNING** buttons you can easily store up to six broadcast frequencies for later recall with the touch of a button.

### When you find a frequency that you want to store in memory press a **PRESET TUNING** button and hold until the preset number stops flashing.

The number you have pressed will flash in the **PRESET NUMBER** indicator and then remain lit. The selected radio station frequency has been stored in memory.

The next time you press the same **PRESET TUNING** button the radio station frequency is recalled from memory.



### Notes

- Up to 18 FM stations, 6 for each of the three FM bands, and 6 AM stations can be stored in memory.
- You can also use ▲ and ▼ to recall radio station frequencies assigned to **PRESET TUNING** buttons. ◻

## Tuner

### Tuning in strong signals

Local seek tuning lets you tune in only those radio stations with sufficiently strong signals for good reception.

**1 Press LOCAL/BSM to turn local seek tuning on.**

Local seek sensitivity (**LOC**) appears in the display.

**2 When you want to return to normal seek tuning, press LOCAL/BSM to turn local seek tuning off.** ▢

### Storing the strongest broadcast frequencies

BSM (best stations memory) lets you automatically store the six strongest broadcast frequencies under **PRESET TUNING** buttons **1–6** and once stored there you can tune in to those frequencies with the touch of a button.

**Press and hold LOCAL/BSM for about two seconds to turn BSM on.**

**BSM** begins to flash. While **BSM** is flashing the six strongest broadcast frequencies will be stored under **PRESET TUNING** buttons in order of their signal strength. When finished, **BSM** stops flashing.

- To cancel the storage process, press **LOCAL/BSM**.



#### Note

- Storing broadcast frequencies with BSM may replace broadcast frequencies you have saved using **PRESET TUNING**. ▢

## Built-in CD player

### Playing a CD



**① TRACK NUMBER indicator**

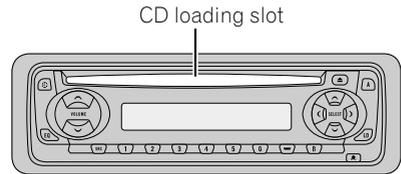
Shows the track currently playing.

**② PLAY TIME indicator**

Shows the elapsed playing time of the current track.

**1 Insert a CD into the CD loading slot.**

Playback will automatically start.



- You can eject a CD by pressing **CD EJECT**.

**2 After a CD has been inserted, press SOURCE to select the built-in CD player.**

**3 Use VOLUME to adjust the sound level.**

When you press **VOLUME** up/+, the volume is raised and when pressed down/–, the volume is lowered.

**4 To perform fast forward or reverse, press and hold ◀ or ▶.**

**5 To skip back or forward to another track, press ◀ or ▶.**

Pressing ▶ skips to the start of the next track. Pressing ◀ once skips to the start of the current track. Pressing again will skip to the previous track.



### Notes

- The built-in CD player plays one, standard, 12-cm or 8-cm (single) CD at a time. Do not use an adapter when playing 8-cm CDs.
- Do not insert anything other than a CD into the CD loading slot.
- If you cannot insert a disc completely or if after you insert a disc the disc does not play, check that the label side of the disc is up. Press **CD EJECT** to eject the disc, and check the disc for damage before inserting the disc again.
- If the built-in CD player does not operate properly, an error message such as **ERR 14** may be displayed. Refer to *Understanding built-in CD player error messages* on page 15. 

## Playing tracks in a random order

Random play lets you play back tracks on the CD in a random order.

**1 Press 4 to turn random play on.**

**RDM** appears in the display. Tracks will play in a random order.

**2 Press 4 to turn random play off.**

Tracks will continue to play in order. 



## Repeating play

Repeat play lets you hear the same track over again.

**1 Press 5 to turn repeat play on.**

**RPT** appears in the display. The track presently playing will play and then repeat.

**2 Press 5 to turn repeat play off.**

The track presently playing will continue to play and then play the next track.



### Note

- If you perform track search or fast forward/reverse, repeat play is automatically cancelled. 

## Pausing CD playback

Pause lets you temporarily stop playback of the CD.

**1 Press 6 to turn pause on.**

**PAUSE** appears in the display. Play of the current track pauses.

**2 Press 6 to turn pause off.**

Play will resume at the same point that you turned pause on. 

## Introduction of audio adjustments



### ① AUDIO display

Shows the audio adjustments status.

### ② LOUD indicator

Appears in the display when loudness is turned on.

### Press **AUDIO** to display the audio function names.

Press **AUDIO** repeatedly to switch between the following audio functions:

**FADER** (balance adjustment)—**EQ** (equalizer)—

**LOUD** (loudness)—**FIE** (front image

enhancer)—**SLA** (source level adjustment)

- When selecting the FM tuner as the source, you cannot switch to **SLA**.

- To return to the display of each source, press **BAND**.



### Note

- If you do not operate the audio function within about 30 seconds, the display is automatically returned to the source display. 

## Using balance adjustment

You can select a fader/balance setting that provides an ideal listening environment in all occupied seats.

### 1 Press **AUDIO** to select **FADER**.

Press **AUDIO** until **FADER** appears in the display.

- If the balance setting has been previously adjusted, **BAL** will be displayed.

### 2 Press **▲** or **▼** to adjust front/rear speaker balance.

Each press of **▲** or **▼** moves the front/rear speaker balance towards the front or the rear.

- **F15 – R15** is displayed as the front/rear speaker balance moves from front to rear.

- **0** is the proper setting when only two speakers are used.

### 3 Press **◀** or **▶** to adjust left/right speaker balance.

When you press **◀** or **▶**, **BAL:0** is displayed.

Each press of **◀** or **▶** moves the left/right speaker balance towards the left or the right.

- **BAL:L9 – BAL:R9** is displayed as the left/right speaker balance moves from left to right. 

## Using the equalizer

The equalizer lets you adjust the equalization to match car interior acoustic characteristics as desired.

## Recalling equalizer curves

There are six stored equalizer curves which you can easily recall at any time. Here is a list of the equalizer curves:

Display	Equalizer curve
<b>SBASS</b>	Super bass
<b>PWRFL</b>	Powerful
<b>NTRL</b>	Natural
<b>VOCAL</b>	Vocal
<b>CSTM</b>	Custom
<b>FLAT</b>	Flat

- **CSTM** is an adjusted equalizer curve that you create.
- When **FLAT** is selected no supplement or correction is made to the sound. This is useful to check the effect of the equalizer curves by switching alternatively between **FLAT** and a set equalizer curve.

### Press EQ to select the equalizer.

- If the equalizer has been previously set to an equalizer curve other than **PWRFL** then the title of that previously selected equalizer curve will be displayed, such as **SBASS**, **NTRL**, **VOCAL**, **CSTM**, or **FLAT**. 

## Adjusting equalizer curves

You can adjust the currently selected equalizer curve setting as desired. Adjusted equalizer curve settings are memorized in **CSTM**.

### 1 Press AUDIO to select the equalizer mode.

Press **AUDIO** until **EQ** appears in the display.

### 2 Select the band you want to adjust with

**◀/▶**.

**L (low)** — **M (mid)** — **H (high)**

### 3 Press ▲ or ▼ to adjust the equalizer curve.

Each press of **▲** or **▼** increases or decreases the equalizer curve respectively.

- **+6** — **-6** is displayed as the equalizer curve is increased or decreased.
- The actual range of the adjustments are different depending on which equalizer curve is selected.



### Note

- If you make adjustments when a curve other than **CSTM** is selected, the newly adjusted curve will replace the previous curve. Then a new curve with **CSTM** appears on the display while selecting the equalizer curve. 

## Adjusting loudness

Loudness compensates for deficiencies in the low- and high-sound ranges at low volume.

### 1 Press AUDIO to select LOUD.

Press **AUDIO** until **LOUD** appears in the display.

2 Select **LOUD** on or off with ▲/▼.

3 Select the desired level with ◀▶.

**LOW (low) —MID (mid) —HI (high)**



### Note

- You can also switch **LOUD** on or off by pressing the **LOUDNESS**.

## Front image enhancer (FIE)

The F.I.E. (Front Image Enhancer) function is a simple method of enhancing front imaging by cutting mid- and high-range frequency output from the rear speakers, limiting their output to low-range frequencies. You can select the frequency you want to cut.



### Precaution

- When the F.I.E. function is deactivated, the rear speakers output sound of all frequencies, not just bass sounds. Reduce the volume before disengaging F.I.E. to prevent a sudden increase in volume.

1 Press **AUDIO** to select **FIE**.

Press **AUDIO** until **FIE** appears in the display.

2 Select **FIE** on or off with ▲/▼.

3 Select the desired frequency with ◀▶.

**100—160—250 (Hz)**



### Notes

- After switching the F.I.E. function ON, select the Fader/Balance mode in the Audio Menu, and adjust front and rear speaker volume levels until they are balanced.
- Switch the F.I.E. function OFF when using a 2-speaker system.

## Adjusting source levels

SLA (Source level adjustment) lets you adjust the volume level of each source to prevent radical changes in volume when switching between sources.

- Settings are based on the volume level of the FM tuner, which remains unchanged.

1 Compare the **FM tuner volume level** with the level of the source you wish to adjust.

2 Press **AUDIO** to select **SLA**.

Press **AUDIO** until **SLA** appears in the display.

3 Press ▲ or ▼ to adjust the source volume.

Each press of ▲ or ▼ increases or decreases the source volume.

- **SLA +4 — SLA -4** is displayed as the source volume is increased or decreased.



### Notes

- Since the FM tuner volume is the control, it is not possible to apply source level adjustments to the FM tuner.
- The AM tuner volume level can also be adjusted with source level adjustments.

### Setting the time

This is used to set the time on the unit's clock display.

**1 Press SOURCE and hold until the unit turns off.**

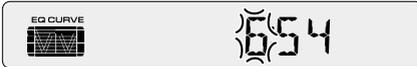
**2 Press AUDIO and hold until TIME (12:00) appears in the display.**

**3 Select the portion of the time display you wish to set with ◀/▶.**

Pressing ◀/▶ will select a portion of the clock display:

#### **HOUR—MINUTE**

As you select portions of the clock display the portion selected will blink.



**4 Select the correct time with ▲/▼.**

Pressing ▲ will increase the selected hour or minute. Pressing ▼ will decrease the selected hour or minute.

- To cancel time settings, press **BAND**.
- You can also cancel time settings by holding down **AUDIO** until the unit turns off. 

### Setting the time display on or off

You can turn the time display on even when the sources are off.

**Press CLOCK to select the time display.**

Each press of **CLOCK** turns time display on or off.

- The time display disappears temporarily when you perform other operations, but the time indication is displayed again after 25 seconds. 

### CD player and care

- Use only CDs that have the Compact Disc Digital Audio marks as shown below.



- Use only normal, round CDs. If you insert irregular, non-round, shaped CDs they may jam in the CD player or not play properly.



- Check all CDs for cracks, scratches or warped discs before playing. CDs that have cracks, scratches or are warped may not play properly. Do not use such discs.
- Avoid touching the recorded (non-printed side) surface when handling the disc.
- Store discs in their cases when not in use.
- Keep discs out of direct sunlight and do not expose the discs to high temperatures.
- Do not attach labels, write on or apply chemicals to the surface of the discs.

- To clean dirt from a CD, wipe the disc with a soft cloth outward from the center of the disc.



- If the heater is used in cold weather, moisture may form on components inside the CD player. Condensation may cause the CD player to not operate properly. If you think that condensation is a problem turn off the CD player for an hour or so to allow the CD player to dry out and wipe any damp discs with a soft cloth to remove the moisture.
- Road shocks may interrupt CD playback. ■

### CD-R/CD-RW discs

- CD-R (CD-Recordable)/CD-RW (CD-Rewritable) discs recorded on CD-R/CD-RW units other than a music CD recorder may not play properly on this CD player.
- Music CD-R/CD-RW discs, even recorded on a music CD recorder, may not play properly on this CD player due to differing disc characteristics, scratches or dirt on the disc. Dirt or condensation on the lens inside this unit may also prevent playback.
- Read the precautions with CD-R/CD-RW discs before using them. ■

### Understanding built-in CD player error messages

When problems occur during CD play an error message may appear on the display. If an error message appears on the display refer to the table below to see what the problem is and the suggested method of correcting the problem. If the error cannot be corrected, contact your dealer or your nearest Pioneer Service Center.

Message	Cause	Action
<b>ERR 11, 12, 17, 30</b>	Dirty disc	Clean disc.
<b>ERR 11, 12, 17, 30</b>	Scratched disc	Replace disc.
<b>ERR 14</b>	Blank disc	Check the disc.
<b>ERR 10, 11, 12, 14, 17, 30, A0</b>	Electrical or mechanical	Turn the ignition ON and OFF, or switch to a different source, then back to the CD player.
<b>HEAT</b>	CD player over-heated	Turn off the CD player until the CD player cools down.



## Specifications

### General

Power source .....	14.4 V DC (10.8 – 15.1 V allowable)
Grounding system .....	Negative type
Max. current consumption .....	10.0 A
Dimensions (W × H × D): (DIN)	
Chassis .....	178 × 50 × 157 mm (7 × 2 × 6-1/8 in)
Nose .....	188 × 58 × 19 mm (7-3/8 × 2-1/4 × 3/4 in)
(D)	
Chassis .....	178 × 50 × 162 mm (7 × 2 × 6-3/8 in)
Nose .....	170 × 48 × 14 mm (7 × 1-7/8 × 1/2 in)
Weight .....	1.3 kg (2.9 lbs)

### Audio

Continuous power output is 20W per channel min. into 4 ohms, both channels driven 50 to 15,000 Hz with no more than 5% THD.

Maximum power output .....	45 W × 4
Load impedance .....	4 Ω (4 – 8 Ω allowable)
Preout max output level/output impedance .....	2.2 V/1 kΩ
Equalizer (3-Band Equalizer):	
(Low) .....	Level: ±12 dB
(MID) .....	Level: ±12 dB
(HIGH) .....	Level: ±12 dB
Loudness contour	
(Low) .....	+3.5 dB (100 Hz), +3 dB (10 kHz)
(MID) .....	+10 dB (100 Hz), +6.5 dB (10 kHz)
(HIGH) .....	+11 dB (100 Hz), +11 dB (10 kHz) (volume : -30 dB)

### CD player

System .....	Compact disc audio system
Usable discs .....	Compact disc
Signal format:	
Sampling frequency ...	44.1 kHz
Number of quantization bits .....	16; linear
Frequency characteristics .....	5 – 20,000 Hz (±1 dB)
Signal-to-noise ratio .....	94 dB (1 kHz) (IHF-A network)
Dynamic range .....	92 dB (1 kHz)
Number of channels .....	2 (stereo)

### FM tuner

Frequency range .....	87.9 – 107.9 MHz
Usable sensitivity .....	9 dBf (0.8 μV/75 Ω, mono, S/N: 30 dB)
50 dB quieting sensitivity ...	15 dBf (1.5 μV/75 Ω, mono)
Signal-to-noise ratio .....	70 dB (IHF-A network)
Distortion .....	0.3% (at 65 dBf, 1 kHz, stereo)
Frequency response .....	30 – 15,000 Hz (±3 dB)
Stereo separation .....	40 dB (at 65 dBf, 1 kHz)
Selectivity .....	70 dB
Three-signal intermodulation (desired signal level) .....	30 dBf (two undesired signal level: 100 dBf)

### AM tuner

Frequency range .....	530 – 1,710 kHz (10 kHz)
Usable sensitivity .....	18 μV (S/N: 20 dB)
Selectivity .....	50 dB (±10 kHz)



### Note

- Specifications and the design are subject to possible modifications without notice due to improvements. ▣

## *Nous vous remercions d'avoir acquis cet appareil Pioneer.*

Veillez lire attentivement ce mode d'emploi de manière à vous familiariser avec le fonctionnement de l'appareil. *Cela fait, conservez ce mode d'emploi afin de pouvoir vous y référer en cas de besoin.*

### **Avant de commencer**

- Cher Client **2**
- Quelques mots sur cet appareil **3**
- Quelques mots sur ce mode d'emploi **3**
- Service après-vente des produits Pioneer **3**
- Précautions **3**
- Protection de l'appareil contre le vol **4**
  - Dépose de la face avant **4**
  - Pose de la face avant **4**
- Description de l'appareil **5**

### **Mise en service, mise hors service**

- Mise en service de l'appareil **6**
- Choix d'une source **6**
- Mise hors service de l'appareil **6**

### **Syntoniseur**

- Ecoute de la radio **6**
- Mise en mémoire et rappel des fréquences des stations **7**
- Accord sur les signaux puissants **8**
- Mise en mémoire des fréquences des émetteurs les plus puissants **8**

### **Lecteur de CD intégré**

- Ecoute d'un CD **8**
- Ecoute des plages musicales dans un ordre quelconque **9**
- Répétition de la lecture **9**
- Pause de la lecture d'un CD **9**

### **Réglages sonores**

- Introduction aux réglages sonores **10**
- Réglage de l'équilibre sonore **10**
- Utilisation de l'égaliseur **11**
  - Rappel d'une courbe d'égalisation **11**
  - Réglage des courbes d'égalisation **11**
- Réglage de la correction physiologique **11**
- Accentuation de l'image sonore avant (FIE) **12**
- Réglage du niveau sonore de la source **12**

### **Autres fonctions**

- Réglage de l'heure **13**
- Affichage ou non de l'heure **13**

### **Informations complémentaires**

- Soins à apporter au lecteur de CD **14**
- Disques CD-R/CD-RW **14**
- Signification des messages d'erreur du lecteur de CD intégré **15**
- Caractéristiques techniques **16**



## *Cher Client:*

La sélection d'un équipement audio de qualité comme l'unité que vous venez d'acheter n'est que le début de votre plaisir musical. Maintenant, il est temps de penser à la manière de profiter au maximum des plaisirs que vous offre votre équipement. Ce fabricant et le Groupe "Consumer Electronics Group" de l'Association des Industries Electroniques veut que vous profitiez au maximum de votre équipement en l'utilisation à un niveau sûr. Un niveau qui permet au son d'être fort et clair, sans beuglement ennuyant ou distorsion — et, ce qui est plus important, sans affecter votre ouïe sensible.

Le son peut être décevant. Avec le temps, le "niveau de confort" de votre ouïe s'adapte aux volumes sonores plus élevés. Ainsi, les sons "normaux" peuvent en fait être forts et affecter votre ouïe. Protégez-vous contre cela en réglant votre équipement à un niveau sûr AVANT l'adaptation de votre ouïe.

### **Pour établir un niveau sûr:**

- Démarrer votre commande de volume à un réglage bas.
- Augmentez lentement le son jusqu'à ce que vous l'entendiez confortablement et clairement, sans distorsion.

### **Lorsque vous avez établi un niveau sonore confortable:**

- Réglez le cadran et laissez-le tel quel.

En prenant une minute pour faire cela, vous pourrez éviter des dommages ou des pertes de sensibilités d'écoute dans le futur. Après tout, nous voulons que vous écoutiez pendant toute votre vie.

## **Nous voulons que vous écoutiez pendant toute votre vie**

Utilisé avec sagesse, votre nouvel équipement sonore sera une source de plaisir pendant toute votre vie. Comme les dommages de l'ouïe provenant d'un bruit fort ne sont souvent détectables que lorsqu'il est trop tard, ce fabricant et le Groupe "Consumer Electronics Group" de l'Association des Industries Electroniques vous recommandent d'éviter toute exposition prolongée à un bruit excessif. Cette liste de niveaux sonores est incluse pour votre protection.

### **Niveau de**

#### Décibels

#### Exemple

30	Bibliothèque tranquille, chuchotement
40	Salon, réfrigérateur, chambre à distance de la circulation
50	Circulation légère, conversation normale, bureau tranquille
60	Climatiseur à 20 pieds, machine à coudre
70	Aspirateur, sèche-cheveux, restaurant bruyant
80	Circulation moyenne en ville, évacuateurs de déchets, réveils à deux pieds

### **LES BRUITS SUIVANTS PEUVENT ETRE DANGEREUX DANS LE CAS D'UNE EXPOSITION CONSTANTE**

90	Méto, motocyclette, circulation de camion, tondeuse à gazon
100	Collecteurs de poubelle, scie à chaîne, perceuse pneumatique
120	Concert de groupe rock devant les haut-parleurs, coup de tonnerre
140	Coup de pistolet, avion à réaction
180	Aire de lancement d'une fusée

Ces informations ont été gracieusement fournies par la Fondation de la Recherche pour les Sourds.



### Quelques mots sur cet appareil

La plage de fonctionnement du syntoniseur correspond aux fréquences allouées à l'Amérique du Nord. Toute tentative d'utilisation dans une autre région peut conduire à une impossibilité. ■

### Quelques mots sur ce mode d'emploi

Cet appareil est doté d'un certain nombre de fonctions qui permettent la réception et le fonctionnement dans les meilleures conditions. Ces fonctions ont été élaborées pour que leur emploi soit aussi simple que possible, mais il exige toutefois quelques explications. Ce mode d'emploi a été rédigé pour vous aider à profiter au mieux de ces fonctions et à rendre votre plaisir de l'écoute aussi grand que possible. Nous vous conseillons de vous familiariser avec ces fonctions et avec leurs modes opératoires en lisant complètement ce mode d'emploi avant de vous servir de l'appareil. Il est particulièrement important que vous lisiez et respectiez les précautions mentionnées sur cette page et dans les autres sections. ■

### Service après-vente des produits Pioneer

Pour toute question relative au service après-vente (y compris les conditions de garantie), veuillez consulter le distributeur, ou le revendeur, qui vous a fourni cet appareil. Si les informations requises ne sont pas disponibles, prenez contact avec les compagnies mentionnées ci-dessous:

N'expédiez pas l'appareil pour réparation à l'une des adresses figurant ci-dessous sans avoir pris un contact préalable.

#### U.S.A.

Pioneer Electronics Service, Inc.  
CUSTOMER SERVICE DEPARTMENT  
P.O. Box 1760  
Long Beach, CA 90801  
800-421-1404

#### CANADA

Pioneer électroniques du Canada, Inc.  
Département de service aux consommateurs  
300 Allstate Parkway  
Markham, Ontario L3R 0P2  
(905) 479-4411  
1-877-283-5901

Pour connaître les conditions de garantie, reportez-vous au document, Garantie limitée, qui accompagne cet appareil. ■

### Précautions

- Conservez ce mode d'emploi à portée de main pour vous y référer pour ce qui touche les modes opératoires et les précautions.
- Maintenez le niveau d'écoute à une valeur telle que vous puissiez entendre les sons émis à l'extérieur du véhicule.
- Protégez l'appareil contre l'humidité.
- Si la batterie est débranchée, ou déchargée, le contenu de la mémoire est effacé et une nouvelle programmation est nécessaire. ■

### Protection de l'appareil contre le vol

Afin de décourager le vol, la face avant peut être retirée de l'appareil central.

#### Important

- N'exercez aucune force excessive, ne saisissez pas l'afficheur ni les touches pour retirer ou fixer la face avant.
- Evitez de heurter la face avant.
- Conservez la face avant à l'abri des températures élevées et de la lumière directe du soleil.

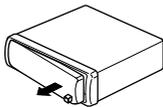
### Dépose de la face avant

#### 1 Appuyez sur **DETACH** pour libérer la face avant.

Appuyez sur **DETACH**; le côté droit de la face avant se trouve libéré de l'appareil central.

#### 2 Saisissez la face avant et retirez-la.

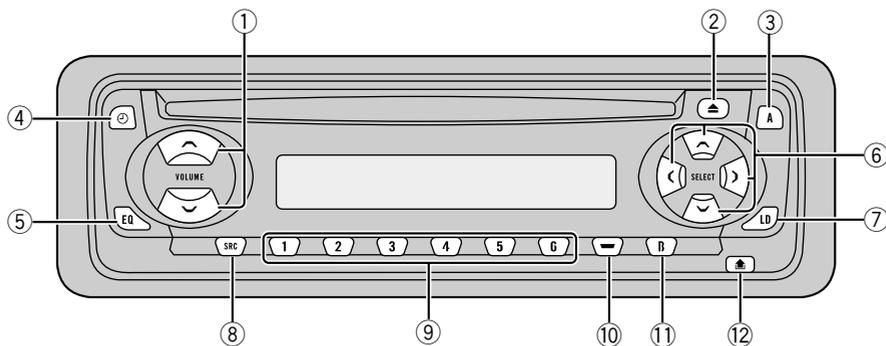
Saisissez la face avant par le côté droit et retirez-la en la faisant tourner vers la gauche. La face avant se sépare alors de l'appareil central.



### Pose de la face avant

#### 1 Placez la face avant bien à plat sur l'appareil central.

#### 2 Appuyez sur la face avant de manière qu'elle se loge fermement dans l'appareil central.



### Description de l'appareil

#### ① Touche **VOLUME**

Appuyez sur cette touche pour augmenter ou diminuer le niveau sonore.

#### ② Touche **CD EJECT**

Appuyez sur cette touche pour éjecter le CD que contient le lecteur de CD intégré.

#### ③ Touche **AUDIO**

Appuyez sur cette touche pour choisir les diverses commandes de correction sonore.

#### ④ Touche **CLOCK**

Appuyez sur cette touche pour afficher, ou non, l'heure.

#### ⑤ Touche **EQ**

Appuyez sur cette touche pour choisir une des courbes d'égalisation.

#### ⑥ Touches **▲/▼/◀/▶**

Appuyez sur ces touches pour effectuer un accord manuel, atteindre rapidement le début ou la fin du support, rechercher une plage musicale. Ces touches servent également aux commandes des fonctions.

#### ⑦ Touche **LOUDNESS**

Appuyez sur cette touche pour mettre en service, ou hors service, la correction physiologique.

#### ⑧ Touche **SOURCE**

L'appareil est mis en service par le choix d'une source. Appuyez sur cette touche pour choisir l'une après l'autre les sources disponibles.

#### ⑨ Touches (**PRESET TUNING**) 1-6

Appuyez sur cette touche pour choisir une fréquence en mémoire.

#### ⑩ Touche **LOCAL/BSM**

#### ⑪ Touche **BAND**

Appuyez sur cette touche pour choisir une des trois gammes FM et une gamme AM, ou encore abandonner la commande des fonctions.

#### ⑫ Touche **DETACH**

Appuyez sur cette touche pour libérer la face avant de l'appareil central.

### Mise en service de l'appareil

#### Appuyez sur **SOURCE** pour mettre en service l'appareil.

Le fait de choisir une source met l'appareil en service.

### Choix d'une source

Vous pouvez choisir la source que vous désirez. Pour écouter un disque, introduisez un disque dans le lecteur de CD intégré (reportez-vous à la page 8).

#### Appuyez sur **SOURCE** pour choisir une source.

Appuyez de manière répétée sur **SOURCE** pour choisir l'une après l'autre les sources suivantes:

**Lecteur de CD intégré—Syntoniseur**



#### Remarques

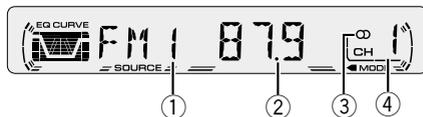
- Si aucun disque n'est déposé dans l'appareil, le lecteur de CD intégré ne peut être choisi comme source.
- Si le fil bleu/blanc de l'appareil est relié à la prise de commande du relais de l'antenne motorisée, celle-ci s'étend lorsque la source est mise en service. Pour rétracter l'antenne, mettez la source hors service.

### Mise hors service de l'appareil

Appuyez, pendant au moins une seconde, sur **SOURCE** pour mettre l'appareil hors service.



### Ecoute de la radio



#### ① Indicateur **BAND**

Il signale la gamme d'accord choisie, AM ou FM.

#### ② Indicateur **FREQUENCY**

Il indique la valeur de la fréquence d'accord.

#### ③ Indicateur **STEREO** (Ⓞ)

Il signale que la station émet en stéréophonie.

#### ④ Indicateur **PRESET NUMBER**

Il indique le numéro de la présélection choisie.

## 1 Pour choisir le syntoniseur, appuyez sur **SOURCE**.

## 2 Utilisez **VOLUME** pour régler le niveau sonore.

Lorsque vous appuyez sur **VOLUME** croissant/+, le sonore niveau augmente; lorsque vous appuyez sur **VOLUME** décroissant/-, le niveau diminue.

## 3 Appuyez sur **BAND** pour choisir la gamme.

Appuyez sur **BAND** jusqu'à ce que la gamme désirée, **FM1**, **FM2**, **FM3** en FM ou **AM**, soit affichée.

## 4 Pour effectuer l'accord manuel, appuyez à intervalles rapprochés sur **◀**, ou sur **▶**.

La fréquence augmente ou diminue par pas.

## 5 Pour effectuer l'accord automatique, appuyez, pendant environ une seconde, sur **◀**, ou sur **▶**.

Le syntoniseur examine les fréquences jusqu'à ce que se présente une émission dont la réception est jugée satisfaisante.

- Vous pouvez arrêter l'accord automatique en appuyant brièvement sur **◀**, ou sur **▶**.

- Si vous maintenez la pression d'un doigt sur **◀**, ou sur **▶**, les fréquences sont ignorées.

L'accord automatique ne commence qu'au moment où vous relâchez la pression sur la touche.



### Remarque

- Si la station émet en stéréophonie, l'indicateur **STEREO** (◻) s'éclaire. ◻

## Mise en mémoire et rappel des fréquences des stations

Grâce aux touches **PRESET TUNING** vous pouvez aisément mettre en mémoire six fréquences que vous pourrez ultérieurement rappeler par une simple pression sur la touche convenable.

### Lorsque se présente une fréquence que vous désirez mettre en mémoire, maintenez la pression d'un doigt sur une des touches **PRESET TUNING** jusqu'à ce que le numéro de la présélection cesse de clignoter.

Le numéro de la touche sur laquelle vous avez appuyé est affiché par l'indicateur **PRESET NUMBER**; il clignote puis il demeure éclairé. La fréquence de la station de radio est alors en mémoire.

Lorsque vous appuyez à nouveau sur cette même touche **PRESET TUNING**, la fréquence en mémoire est rappelée.



### Remarques

- La mémoire peut contenir 18 fréquences FM, 6 pour chacune des trois bandes FM, et 6 fréquences de la gamme AM.
- Vous pouvez également rappeler une fréquence mise en mémoire grâce aux touches **PRESET TUNING**, en appuyant sur **▲**, ou sur **▼**. ◻

### Accord sur les signaux puissants

L'accord automatique sur une station locale ne s'intéresse qu'aux émetteurs dont le signal reçu est suffisamment puissant pour garantir une réception de bonne qualité.

#### 1 Appuyez sur LOCAL/BSM pour mettre en service l'accord automatique sur les stations locales.

Le niveau de sensibilité pour l'accord automatique sur les stations locales (**LOC**) apparaît sur l'afficheur.

#### 2 Pour revenir à l'accord automatique ordinaire, appuyez sur LOCAL/BSM de façon à mettre hors service l'accord automatique sur une station locale.

### Mise en mémoire des fréquences des émetteurs les plus puissants

La fonction BSM (Mémoire des meilleures stations) vous permet d'utiliser les touches **PRESET TUNING 1-6** pour mémoriser les six fréquences des émetteurs les plus puissants que vous pouvez ultérieurement rappeler par une simple pression sur une de ces touches.

#### Appuyez, pendant environ deux secondes, sur LOCAL/BSM pour mettre en service BSM.

**BSM** clignote. Tandis que **BSM** clignote, les fréquences des six émetteurs les plus puissants sont mises en mémoire, par ordre décroissant de l'amplitude du signal reçu, grâce aux touches **PRESET TUNING**. Cela fait, **BSM** cesse de clignoter.

- Pour annuler la mise en mémoire, appuyez sur **LOCAL/BSM**.



#### Remarque

- La mise en mémoire de fréquences à l'aide de la fonction BSM peut provoquer le remplacement d'autres fréquences déjà conservées grâce aux touches **PRESET TUNING**. 

### Ecoute d'un CD



#### ① Indicateur TRACK NUMBER

Il indique la plage musicale en cours de lecture.

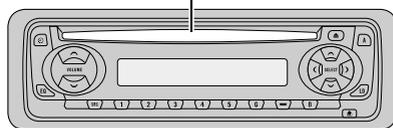
#### ② Indicateur PLAY TIME

Il indique le temps écoulé depuis le début de la plage musicale en cours de lecture.

#### 1 Introduisez un CD dans le logement pour le CD.

La lecture commence automatiquement.

Logement pour le CD



- Vous pouvez éjecter le CD en appuyant sur **CD EJECT**.

#### 2 Après avoir introduit un CD, appuyez sur SOURCE pour choisir le lecteur de CD.

#### 3 Utilisez VOLUME pour régler le niveau sonore.

Lorsque vous appuyez sur **VOLUME** croissant/+, le sonore niveau augmente; lorsque vous appuyez sur **VOLUME** décroissant/−, le niveau diminue.

**4 Pour déplacer rapidement le capteur dans un sens ou dans l'autre, maintenez la pression d'un doigt sur ◀, ou sur ▶.**

**5 Pour atteindre la plage précédente ou suivante, appuyez sur ◀, ou sur ▶.**

Une pression sur ▶ permet d'atteindre le début de la plage suivante.

Une pression sur ◀ permet d'atteindre le début de la plage en cours de lecture. Une nouvelle pression permet d'atteindre la plage précédente.



### Remarques

- Le lecteur de CD intégré permet la lecture d'un CD de 12 cm, ou d'un CD de 8 cm (Single). N'utilisez pas d'adaptateur pour la lecture des disques de 8 cm.
- N'introduisez aucun objet dans le logement pour le CD autre qu'un CD.
- Si vous ne parvenez pas à introduire complètement le disque, ou encore si la lecture du disque ne commence pas après qu'il a été introduit, assurez-vous que l'étiquette est bien tournée vers le haut.  
Appuyez sur **CD EJECT** pour éjecter le disque et avant de tenter une nouvelle introduction du disque, assurez-vous qu'il n'est pas endommagé.
- Si le lecteur de CD intégré présente une anomalie, un message d'erreur tel que **ERR 14** peut s'afficher. Reportez-vous à la page 15, *Signification des messages d'erreur du lecteur de CD intégré*. ▣

## Ecoute des plages musicales dans un ordre quelconque

La lecture dans un ordre quelconque des plages musicales du CD est possible.

**1 Appuyez sur 4 pour mettre en service la lecture dans un ordre quelconque.**

**RDM** apparaît sur l'afficheur. Les plages musicales sont lues dans un ordre quelconque.

**2 Appuyez sur 4 pour mettre hors service la lecture dans un ordre quelconque.**

Les plages musicales sont lues dans l'ordre normal. ▣

## Répétition de la lecture

La répétition de la lecture vous permet d'écouter à nouveau la même plage musicale.

**1 Appuyez sur 5 pour mettre en service la répétition de la lecture.**

**RPT** apparaît sur l'afficheur. La plage musicale en cours de lecture sera ensuite répétée.

**2 Appuyez sur 5 pour mettre hors service la répétition de la lecture.**

À la fin de la lecture de la plage musicale commence la lecture de la plage suivante.



### Remarque

- La répétition de la lecture est automatiquement abandonnée dès que commence la recherche d'une plage musicale ou le déplacement rapide du capteur dans un sens ou dans l'autre. ▣

## Pause de la lecture d'un CD

La pause est un arrêt momentané de la lecture du CD.

**1 Appuyez sur 6 pour mettre en service la pause.**

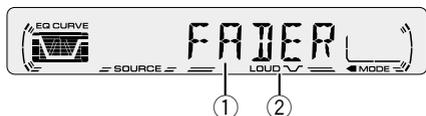
**PAUSE** apparaît sur l'afficheur. La lecture de la plage musicale marque une pause.

**2 Appuyez sur 6 pour mettre hors service la pause.**

La lecture reprend là où elle a été interrompue.



## Introduction aux réglages sonores



### ① Afficheur AUDIO

Il indique l'état des réglages sonores.

### ② Indicateur LOUD

Il s'éclaire lorsque la correction physiologique est en service.

### Appuyez sur AUDIO pour afficher le nom des fonctions audio.

Appuyez de manière répétée sur **AUDIO** pour choisir une des fonctions suivantes:

**FADER** (équilibre sonore)—**EQ** (égalisation)—**LOUD** (correction physiologique)—**FIE** (accentuation de l'image sonore avant)—**SLA** (réglage du niveau sonore de la source)

- Si le sintoniseur FM a été choisi comme source, vous ne pouvez pas afficher la fonction **SLA**.
- Appuyez sur **BAND** pour revenir à l'affichage de l'état de chaque source.



### Remarque

- Si vous ne réglez aucun paramètre de la fonction pendant environ 30 secondes, l'afficheur indique à nouveau l'état de la source. ■

## Réglage de l'équilibre sonore

Vous pouvez régler l'équilibre avant-arrière et droite-gauche de manière que l'écoute soit optimale quel que soit le siège occupé.

### 1 Appuyez sur AUDIO pour choisir FADER.

Appuyez sur **AUDIO** jusqu'à ce que **FADER** apparaisse sur l'afficheur.

- Si le réglage de l'équilibre sonore a déjà été effectué, **BAL** s'affiche.

### 2 Appuyez sur ▲, ou sur ▼, pour régler l'équilibre sonore entre les haut-parleurs avant et arrière.

Chaque pression sur ▲, ou sur ▼, modifie l'équilibre sonore entre les haut-parleurs avant et arrière.

- **F15 – R15** sont les valeurs extrêmes qui s'affichent tandis que l'équilibre entre les haut-parleurs avant et arrière varie.
- **0** est le réglage convenable dans le cas où seulement deux haut-parleurs sont utilisés.

### 3 Appuyez sur ◀, ou sur ▶, pour régler l'équilibre entre les haut-parleurs gauche et droit.

Lorsque vous appuyez sur ◀, ou sur ▶, **BAL:0** s'affiche.

Chaque pression sur ◀, ou sur ▶, modifie l'équilibre sonore entre les haut-parleurs gauche et droit.

- **BAL:L9 – BAL:R9** sont les valeurs extrêmes qui s'affichent tandis que l'équilibre entre les haut-parleurs gauche et droit varie. ■

### Utilisation de l'égaliseur

L'égaliseur vous permet de corriger les caractéristiques sonores de l'habitacle du véhicule en fonction de vos goûts.

### Rappel d'une courbe d'égalisation

La mémoire contient six courbes d'égalisation que vous pouvez utiliser à n'importe quel moment. Voici la liste de ces six courbes:

Indication affichée	Courbe d'égalisation
<b>SBASS</b>	Accentuation des graves
<b>PWRFL</b>	Accentuation de la puissance
<b>NTRL</b>	Sonorité naturelle
<b>VOCAL</b>	Chant
<b>CSTM</b>	Correction personnelle
<b>FLAT</b>	Absence de correction

- **CSTM** est la courbe d'égalisation que vous avez créée.
- Si vous choisissez **FLAT**, aucune correction n'est apportée aux sons. Cette courbe est utile pour apprécier l'effet d'une autre courbe en basculant alternativement de la courbe **FLAT** à la courbe considérée.

#### Appuyez sur EQ pour choisir l'égaliseur.

- Si une courbe de l'égaliseur autre que **PWRFL** a précédemment été utilisée, par exemple **SBASS**, **NTRL**, **VOCAL**, **CSTM** ou **FLAT**, c'est le nom de cette courbe qui s'affiche. 

### Réglage des courbes d'égalisation

Vous pouvez modifier comme bon vous semble la courbe d'égalisation présentement choisie. Les modifications apportées à une courbe d'égalisation sont conservées par la mémoire **CSTM**.

#### 1 Appuyez sur AUDIO pour choisir l'égaliseur.

Appuyez sur **AUDIO** jusqu'à ce que **EQ** apparaisse sur l'afficheur.

#### 2 Au moyen de ◀/▶ choisissez la plage de fréquence que vous désirez modifier. L (graves) — M (médium) — H (aigus)

#### 3 Appuyez sur ▲, ou sur ▼, pour régler la courbe d'égalisation.

Chaque pression sur ▲, ou sur ▼, augmente ou diminue l'amplitude de la courbe d'égalisation.

- **+6** — **-6** sont les valeurs extrêmes que peut prendre l'égalisation tandis qu'elle augmente ou diminue.
- La plage de réglage dépend de la courbe d'égalisation choisie.



#### Remarque

- Si vous modifiez une courbe d'égalisation autre que **CSTM**, la courbe ainsi modifiée remplace la courbe précédente. Une nouvelle courbe accompagnée de **CSTM** s'affiche sur l'écran quand vous choisissez la courbe d'égalisation. 

### Réglage de la correction physiologique

La correction physiologique a pour objet d'accentuer les graves et les aigus à bas niveaux d'écoute.

#### 1 Appuyez sur AUDIO pour choisir LOUD.

Appuyez sur **AUDIO** jusqu'à ce que **LOUD** apparaisse sur l'afficheur.

**2 Mettez en service, ou hors service, LOUD à l'aide de ▲/▼.**

**3 Choisissez le niveau désiré au moyen de ◀/▶.**

**LOW (graves) —MID (médium) —HI (aigus)**



### Remarque

- Vous pouvez également mettre en service, ou hors service, **LOUD** en appuyant sur **LOUDNESS**.

## Accentuation de l'image sonore avant (FIE)

La fonction F.I.E. (Front Image Enhancer) permet d'augmenter la présence de l'image sonore avant en réduisant simplement les fréquences moyennes et aiguës émises par les haut-parleurs arrière qui ne reproduisent plus que les sons du registre grave. Vous pouvez choisir la plage de fréquence à atténuer.



### Précaution

- Lorsque la fonction F.I.E. est hors service, les haut-parleurs arrière peuvent émettre tous les sons possibles du spectre audible et non pas seulement les sons graves. En conséquence, nous conseillons une réduction du niveau de sortie avant de mettre la fonction F.I.E. hors service.

**1 Appuyez sur AUDIO puis choisissez FIE.**

Appuyez sur **AUDIO** jusqu'à ce que **FIE** s'affiche.

**2 Mettez en service, ou hors service, FIE à l'aide de ▲/▼.**

**3 Choisissez la fréquence qui convient au moyen de ◀/▶.**

**100—160—250 (Hz)**



### Remarques

- Après avoir mis en service la fonction F.I.E., vous pouvez régler le niveau de sortie vers les haut-parleurs avant et arrière grâce au mode d'équilibrage avant/arrière du menu des réglages sonores; effectuez cette opération de façon à réaliser le meilleur équilibrage possible.
- Si l'installation ne comporte que 2 haut-parleurs, mettez hors service la fonction d'amélioration de l'image sonore avant.

## Réglage du niveau sonore de la source

Le réglage du niveau de la source au moyen de la fonction SLA, évite que ne se produisent de fortes variations d'amplitude sonore lorsque vous passez d'une source à l'autre.

- Le réglage est basé sur le niveau du signal FM qui, lui, demeure inchangé.

**1 Comparez le niveau sonore du syntoniseur FM au niveau sonore de la source concernée par le réglage.**

**2 Appuyez sur AUDIO pour choisir SLA.**

Appuyez sur **AUDIO** jusqu'à ce que **SLA** apparaisse sur l'afficheur.

**3 Appuyez sur ▲, ou sur ▼, pour régler le niveau de la source.**

Chaque pression sur **▲**, ou sur **▼**, augmente ou diminue le niveau sonore de la source.

- **SLA +4 – SLA –4** sont les valeurs extrêmes que peut prendre le niveau sonore tandis qu'il augmente ou diminue.



### Remarques

- Étant donné que le niveau du syntoniseur FM sert de référence, l'emploi de la fonction SLA n'est pas possible pour le syntoniseur FM.
- Le niveau du syntoniseur AM peut également être réglé à l'aide de cette fonction.

### Réglage de l'heure

La méthode suivante permet de régler l'heure de la pendulette de l'appareil.

- 1 Maintenez la pression d'un doigt sur **SOURCE** jusqu'à ce que l'appareil s'éteigne.
- 2 Maintenez la pression d'un doigt sur **AUDIO** jusqu'à ce que **TIME (12:00)** apparaisse sur l'afficheur.
- 3 Sélectionnez la portion de l'affichage de l'heure que vous désirez régler au moyen de ◀/▶.

Une pression sur ◀/▶ permet de choisir une portion de l'affichage de l'heure:

#### **HOURL—MINUTE**

Comme vous sélectionnez une portion de l'heure, cette portion clignote.



- 4 Sélectionnez l'heure correcte au moyen de ▲/▼.

Une pression sur ▲ augmente les heures ou les minutes. Une pression sur ▼ diminue les heures et les minutes.

- Appuyez sur **BAND** pour abandonner le réglage de l'heure.
- Vous pouvez également abandonner le réglage de l'heure en maintenant la pression d'un doigt sur **AUDIO** jusqu'à ce que l'appareil se mette hors service. ◻

### Affichage ou non de l'heure

Vous pouvez afficher l'heure même lorsque les sources sont hors service.

#### **Appuyez sur CLOCK pour sélectionner l'affichage de l'heure.**

Chaque pression sur **CLOCK** met en service, ou hors service, l'affichage de l'heure.

- L'affichage de l'heure s'éteint momentanément lorsque vous procédez à d'autres opérations, mais l'heure est à nouveau affichée 25 secondes plus tard. ◻

### Soins à apporter au lecteur de CD

- N'utilisez que les disques portant la marque Compact Disc Digital Audio indiquée ci-dessous.



- N'utilisez que des disques standard circulaires. L'utilisation de disques ayant une forme différente peut provoquer une anomalie du lecteur, ou encore leur lecture peut être impossible.



- Vérifiez les disques avant de les écouter. Rejetez tout disque fendu, rayé ou voilé car leur lecture peut être impossible. N'utilisez pas de disque en mauvais état.
- Pendant la manipulation des disques, évitez de toucher leur face gravée (face ne portant aucune indication).
- Rangez les disques dans leur coffret dès que vous ne les écoutez plus.
- Conservez les disques à l'abri de la lumière directe du soleil et ne les exposez pas à des températures élevées.
- Ne posez aucune étiquette à la surface des disques, n'écrivez pas sur un disque, n'appliquez aucun agent chimique sur un disque.
- Pour nettoyer un disque, utilisez un chiffon doux en partant du centre vers la périphérie.



- Lorsque, par temps froid, vous mettez le chauffage en service, l'humidité peut se condenser à l'intérieur du lecteur de CD. La condensation peut provoquer des anomalies de fonctionnement du lecteur. Si vous pensez que de la condensation s'est formée, mettez le lecteur de CD hors service pendant une heure environ, le temps nécessaire à son séchage, et essayez le disque avec un chiffon doux pour supprimer l'humidité qui le recouvre.
- Le cahots de la route peuvent interrompre la lecture d'un CD. ■

### Disques CD-R/CD-RW

- La lecture, à l'aide de cet appareil, d'un disque CD-R (disque compact enregistrable) et CD-RW (enregistrable et effaçable) réalisé au moyen d'un graveur CD-R/CD-RW autre qu'un graveur de signaux musicaux, peut s'accompagner d'anomalies.
- Les disques CD-R/CD-RW de musique, même s'ils ont été produits par un graveur de musique sur CD, ne sont pas nécessairement lus convenablement par cet appareil en raison des caractéristiques des disques, des rayures et des saletés. La poussière et la condensation qui peuvent s'être accumulées sur l'objectif, à l'intérieur de l'appareil, sont également susceptibles d'empêcher la lecture.
- Lisez les précautions qui accompagnent les CD-R/CD-RW avant de les utiliser. ■

### Signification des messages d'erreur du lecteur de CD intégré

En cas d'anomalie de fonctionnement du lecteur de CD, un message d'erreur peut s'afficher. Si un message d'erreur apparaît sur l'afficheur, reportez-vous au tableau ci-dessous pour connaître la nature de l'anomalie et l'action corrective suggérée. Si l'erreur ne peut pas être corrigée, consultez le revendeur ou le service d'entretien agréé par Pioneer.

Messages	Causes possibles	Action corrective
<b>ERR 11, 12, 17, 30</b>	Disque sale.	Nettoyez le disque.
<b>ERR 11, 12, 17, 30</b>	Disque rayé.	Utilisez un autre disque.
<b>ERR 14</b>	Disque vierge.	Vérifiez le disque.
<b>ERR 10, 11, 12, 14, 17, 30, A0</b>	Anomalie électrique ou mécanique.	Coupez le contact au moyen de la clé puis rétablissez le contact et choisissez à nouveau le lecteur de CD comme source.
<b>HEAT</b>	Surchauffe du lecteur de CD.	Arrêtez le fonctionnement du lecteur et attendez qu'il ait repris une température normale.



## Caractéristiques techniques

### Généralités

Alimentation .....	14,4 V CC (10,8 à 15,1 V possibles)
Mise à la masse .....	Pôle négatif
Consommation maximale .....	10,0 A
Dimensions (L x H x P):	
(DIN)	
Châssis .....	178 x 50 x 157 mm
Panneau avant ....	188 x 58 x 19 mm
(D)	
Châssis .....	178 x 50 x 162 mm
Panneau avant ....	170 x 48 x 14 mm
Poids .....	1,3 kg

### Audio

Puissance de sortie continue: 20 W par canal, minimum, sur 4 Ohms, les deux canaux étant excités, entre 50 et 15.000 Hz, avec une DHT ne dépassant pas 5%.

Puissance maximale de sortie

..... 45 W x 4

Impédance de charge ..... 4  $\Omega$  (4 à 8  $\Omega$  possibles)

Niveau maximum/impédance de sortie de l'étage de préamplification ..... 2,2 V/1 k $\Omega$

Egaliseur (Egaliseur à 3 bandes):

(GRAVES) ..... Niveau:  $\pm 12$  dB

(MÉDIUM) ..... Niveau:  $\pm 12$  dB

(AIGUS) ..... Niveau:  $\pm 12$  dB

Correction physiologique:

(GRAVES) ..... +3,5 dB (100 Hz),  
+3 dB (10 kHz)

(MÉDIUM) ..... +10 dB (100 Hz),  
+6,5 dB (10 kHz)

(AIGUS) ..... +11 dB (100 Hz),  
+11 dB (10 kHz)  
(Niveau: -30 dB)

### Lecteur de CD

Système .....	Compact Disc Digital Audio
Disques utilisables .....	Disques compacts
Format du signal:	
Fréquence d'échantillonnage .....	44,1 kHz
Nombre de bits de quantification .....	16; quantification linéaire
Réponse en fréquence .....	5 – 20.000 Hz ( $\pm 1$ dB)
Rapport signal/bruit .....	94 dB (1 kHz) (Réseau IHF-A)
Dynamique .....	92 dB (1 kHz)
Nombre de voies .....	2 (stéréo)

### Syntoniseur FM

Gamme de fréquence .....	87,9 – 107,9 MHz
Sensibilité utile .....	9 dBf (0,8 $\mu$ V/75 $\Omega$ , mono, signal/bruit: 30 dB)
Seuil de sensibilité 50 dB ...	15 dBf (1,5 $\mu$ V/75 $\Omega$ , mono)
Rapport signal/bruit .....	70 dB (Réseau IHF-A)
Distorsion .....	0,3% (à 65 dBf, 1 kHz, stéréo)
Réponse en fréquence .....	30 – 15.000 kHz ( $\pm 3$ dB)
Séparation stéréophonique ....	40 dB (à 65 dBf, 1 kHz)
Sélectivité .....	70 dB
Intermodulation trois signaux (niveau de signal désiré) ...	30 dBf (niveau deux signaux indésirés: 100 dBf)

### Syntoniseur AM

Gamme de fréquence .....	530 – 1.710 kHz (10 kHz)
Sensibilité utile .....	18 $\mu$ V (signal/bruit: 20 dB)
Sélectivité .....	50 dB ( $\pm 10$ kHz)



### Remarque

- Les caractéristiques et la présentation peuvent être modifiées sans avis préalable à fin d'amélioration. ■

## Gracias por haber comprado este producto Pioneer.

Sírvase leer con detención estas instrucciones sobre la operación de modo que aprenda el modo de operar correctamente su modelo. *Una vez que haya leído las instrucciones, consérvelas en un lugar seguro para consultarlas en el futuro.*

### Antes de empezar

- Acerca de este producto **2**
- Acerca de este manual **2**
- Servicio de posventas para productos Pioneer **3**
- Precauciones **3**
- Protección del producto contra robo **4**
  - Extracción del panel delantero **4**
  - Colocación del panel delantero **4**
- Qué es cada cosa **5**

### Encendido y Apagado

- Encendido del sistema **6**
- Selección de una fuente **6**
- Apagado del sistema **6**

### Sintonizador

- Audición de radio **6**
- Almacenaje y llamada de frecuencias **7**
- Sintonía de señales fuertes **8**
- Almacenaje de las frecuencias de radio más fuertes **8**

### Lector de CD incorporado

- Reproducción de un CD **8**
- Reproducción de pistas en un orden aleatorio **9**
- Repetición de reproducción **9**
- Pausa de la reproducción de CD **9**

### Ajustes de audio

- Introducción a los ajustes de audio **10**
- Uso del ajuste del equilibrio **10**
- Uso del ecualizador **11**
  - Llamada de las curvas de ecualización **11**
  - Ajuste de las curvas de ecualización **11**
- Ajuste de la sonoridad **11**
- Mejorador de imagen delantera (FIE) **12**
- Ajuste de los niveles de la fuente **12**

### Otras funciones

- Ajuste de la hora **13**
- Activación y desactivación de la visualización del reloj **13**

### Informaciones adicionales

- Activación y desactivación de la visualización del reloj **14**
- Lector de CD y cuidados **14**
- Discos CD-R/CD-RW **14**
- Comprensión de los mensajes de error del lector de CD incorporado **15**
- Especificaciones **16**

### Acerca de este producto

Las frecuencias del sintonizador en este producto se han repartidas para uso en Norteamérica. El uso en otras áreas puede resultar en una recepción incorrecta. ▣

### Acerca de este manual

Este producto viene con diversas funciones sofisticadas que aseguran una recepción y operación superior. Todas las funciones han sido proyectadas para facilitar su uso al máximo, pero muchas funciones requieren explicación. El propósito de este manual de instrucciones es ayudarle a beneficiarse completamente del potencial del producto y maximizar su disfrute de audición.

Se recomienda familiarizarse con las funciones y operaciones leyendo con detención el manual antes de usar el producto. Es especialmente importante leer y observar las precauciones en esta página y en otras secciones. ▣

### Servicio de posventas para productos Pioneer

Póngase en contacto con el revendedor o distribuidor donde ha comprado esta unidad para el servicio de posventas (incluyendo las condiciones de garantía) o cualquier otra información. En caso de que la información necesaria no sea disponible, póngase en contacto con las compañías enumeradas a continuación. No envíe su unidad a las compañías enumeradas a continuación para reparación sin previo contacto.

#### **U.S.A.**

Pioneer Electronics Service, Inc.  
CUSTOMER SERVICE DEPARTMENT  
P.O. Box 1760  
Long Beach, CA 90801  
800-421-1404

#### **CANADA**

Pioneer Electronics of Canada, Inc.  
CUSTOMER SATISFACTION DEPARTMENT  
300 Allstate Parkway  
Markham, Ontario L3R OP2  
(905) 479-4411  
1-877-283-5901

Para la información de la garantía, vea la hoja de Garantía Limitada incluida con esta unidad.



### Precauciones

- Mantenga este manual a mano como una referencia para los procedimientos de operación y precaución.
- Siempre mantenga el volumen suficientemente bajo de modo que pueda escuchar los sonidos fuera del coche.
- Proteja este producto de la humedad.
- Si se desconecta o se descarga la batería, la memoria preajustada se borrará y se debe reprogramarla. 

### Protección del producto contra robo

El panel delantero se puede extraer de la unidad principal como una medida antirrobo.

#### **Importante**

- Nunca presione ni agarre la pantalla y los botones con fuerza excesiva al extraer o colocar el panel delantero.
- Evite sujetar el panel delantero a impactos excesivos.
- Mantenga el panel delantero fuera del alcance de los rayos de luz del sol o alta temperaturas.

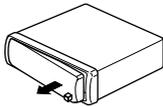
### Extracción del panel delantero

#### **1 Presione DETACH para soltar el panel delantero.**

Presione **DETACH** y el lado derecho del panel se suelta de la unidad principal.

#### **2 Agarre el panel delantero y extráigalo.**

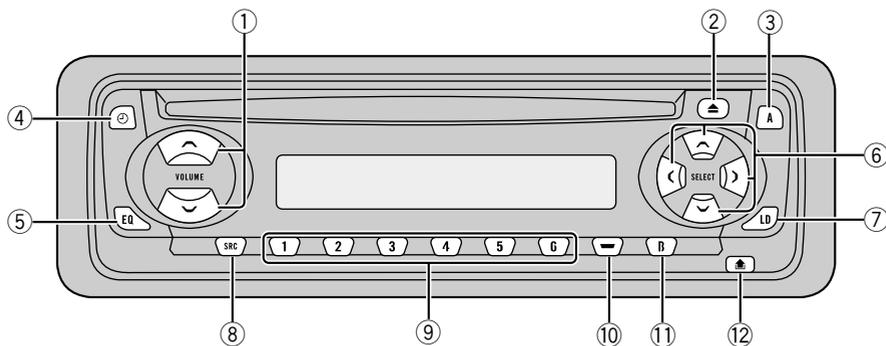
Agarre el lado derecho del panel delantero y tire del panel hacia la izquierda. El panel delantero sale de la unidad principal.



### Colocación del panel delantero

**1 Coloque el panel delantero de modo plano contra la unidad principal.**

**2 Presione el panel delantero hacia la cara de la unidad principal hasta que se asiente firmemente.** 



### Qué es cada cosa

#### ① Botón VOLUME

Presione para aumentar o disminuir el volumen.

#### ② Botón CD EJECT

Presione para expulsar un CD desde el lector de CD incorporado.

#### ③ Botón AUDIO

Presione para seleccionar los diversos controles de calidad del sonido.

#### ④ Botón CLOCK

Presione para activar o desactivar el visualización del reloj.

#### ⑤ Botón EQ

Presione para seleccionar las varias curvas del ecualizador.

#### ⑥ Botones ▲/▼/◀/▶

Presione para los controles de sintonía de búsqueda manual, avance rápido, inversión y búsqueda musical. También se usan para controlar las funciones.

#### ⑦ Botón LOUDNESS

Presione para activar o desactivar la función de sonoridad.

#### ⑧ Botón SOURCE

Esta unidad se enciende por la selección de una fuente. Presione para cambiar a través de todas las fuentes disponibles.

#### ⑨ Botones 1-6 (PRESET TUNING)

Presione para la sintonía preajustada.

#### ⑩ Botón LOCAL/BSM

#### ⑪ Botón BAND

Presione para seleccionar entre tres bandas FM y una banda AM y cancelar el modo de control de funciones.

#### ⑫ Botón DETACH

Presione para extraer el panel delantero de la unidad principal. ■

### Encendido del sistema

#### Presione SOURCE para encender el sistema.

Cuando se selecciona una fuente, la unidad se enciende.

### Selección de una fuente

Puede seleccionar la fuente que desea escuchar. Para cambiar al lector de CD incorporado, coloque un disco en el sistema (refiérase a la página 8).

#### Presione SOURCE para seleccionar una fuente.

Presione **SOURCE** repetidamente para cambiar entre las siguientes fuentes:

#### Lector de CD incorporado—Sintonizador



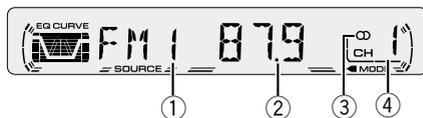
#### Notas

- Cuando no hay un disco cargado en este producto, la fuente del lector de CD incorporado no cambia.
- Cuando se conecta el cable azul/blanco de este producto al terminal de control de relé de antena automática del automóvil, la antena del automóvil se extiende cuando se enciende el producto. Para retraer la antena, cambie a otra fuente.

### Apagado del sistema

#### Presione SOURCE durante por lo menos un segundo para apagar el sistema.

### Audición de radio



- ① **Indicador BAND**  
Visualiza cuál banda la radio está sintonizada: AM o FM.
- ② **Indicador FREQUENCY**  
Visualiza la frecuencia en que el sintonizador está sintonizado.
- ③ **Indicador STEREO (OO)**  
Visualiza que la frecuencia seleccionada está siendo transmitida en estéreo.
- ④ **Indicador PRESET NUMBER**  
Visualiza la emisora preajustada seleccionada.

**1 Presione SOURCE para seleccionar el sintonizador.**

**2 Utilice VOLUME para ajustar el nivel de sonido.**

Presione **VOLUME +** para aumentar el volumen, y **VOLUME -** para disminuir el volumen.

**3 Presione BAND para seleccionar una banda.**

Presione **BAND** hasta que se visualice la banda deseada: **FM1, FM2, FM3** para FM o **AM**.

**4 Para realizar la sintonía manual, presione ◀ o ▶ rápidamente.**

Las frecuencias se desplazan hacia arriba o hacia abajo paso por paso.

**5 Para realizar la sintonía por búsqueda, presione ◀ o ▶ durante aproximadamente un segundo y suelte.**

El sintonizador explorará las frecuencias hasta que encuentre una emisora con suficiente intensidad para una buena recepción.

- Se puede cancelar la sintonía por búsqueda presionando ◀ o ▶ rápidamente.
- Si mantiene presionado ◀ o ▶, puede saltar las emisoras. La sintonía por búsqueda empieza así que se suelta el botón.



### Nota

- Cuando la frecuencia seleccionada está siendo transmitida en estéreo, el indicador **STEREO** (◯) se ilumina. ◻

## Almacenaje y llamada de frecuencias

Si se presiona uno de los botones **PRESET TUNING**, se puede fácilmente almacenar hasta seis frecuencias de emisoras para una llamada subsiguiente con la presión de un botón.

**Cuando encuentre una frecuencia que desea almacenar en la memoria, presione un botón PRESET TUNING hasta que el número preajustado pare de destellar.**

El número seleccionado destellará en el indicador **PRESET NUMBER** y permanecerá iluminado. La frecuencia de la emisora seleccionada ha sido almacenada en la memoria.

Cuando presione el mismo botón **PRESET TUNING** en la próxima vez, la frecuencia de la emisora se llamará de la memoria.



### Notas

- Hasta 18 emisoras FM, 6 para cada una de las tres bandas FM, y 6 emisoras AM se pueden almacenar en la memoria.
- También se puede usar ▲ y ▼ para llamar a las frecuencias de radio designadas a los botones **PRESET TUNING**. ◻

### Sintonía de señales fuertes

La sintonía por búsqueda local le permite sintonizar solamente las emisoras con señales suficientemente fuertes para una buena recepción.

#### 1 Presione LOCAL/BSM para activar la sintonía por búsqueda local.

La sensibilidad de búsqueda local (**LOC**) aparece en la pantalla.

#### 2 Cuando desee volver a la sintonía por búsqueda normal, presione LOCAL/BSM para desactivar la sintonía por búsqueda local.

### Almacenaje de las frecuencias de radio más fuertes

La función BSM (memoria de las mejores emisoras) le permite almacenar automáticamente las seis emisoras más fuertes bajo los botones **PRESET TUNING 1-6**. Después de almacenadas, las emisoras más fuertes se pueden sintonizar con la presión de un botón.

#### Presione LOCAL/BSM durante aproximadamente dos segundos para activar la función BSM.

**BSM** comienza a destellar. Mientras **BSM** está destellando, las seis emisoras más fuertes se almacenan en los botones **PRESET TUNING** en el orden de las señales más fuertes. Cuando se completa la operación, **BSM** para de destellar.

- Para cancelar el proceso de almacenaje, presione **LOCAL/BSM**.



#### Nota

- Almacenar las emisoras más fuertes con BSM puede reemplazar las emisoras almacenadas usando **PRESET TUNING**. 

### Reproducción de un CD



#### ① Indicador TRACK NUMBER

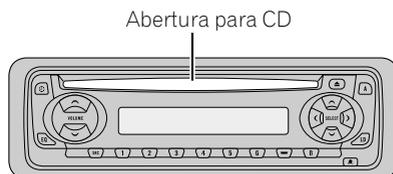
Visualiza la pista que está siendo reproducida actualmente.

#### ② Indicador PLAY TIME

Visualiza el tiempo transcurrido de reproducción de la pista actual.

#### 1 Coloque un CD en la abertura para CD.

La reproducción comenzará automáticamente.



- Se puede expulsar un CD presionando **CD EJECT**.

#### 2 Después colocar un CD, presione SOURCE para seleccionar el lector de CD incorporado.

#### 3 Utilice VOLUME para ajustar el nivel de sonido.

Presione **VOLUME +** para aumentar el volumen, y **VOLUME -** para disminuir el volumen.

**4 Para realizar el avance rápido o retroceso, mantenga presionado ◀ o ▶.**

**5 Para saltar hacia atrás o hacia adelante para otra pista, presione ◀ o ▶.**

Presionar ▶ salta al inicio de la próxima pista.

Presionar ◀ una vez salta al inicio de la pista actual. Presionar de nuevo salta a la pista precedente.



### Notas

- El lector de CD incorporado reproduce un CD estándar, de 12 o 8 cm (simple) a la vez. No utilice un adaptador para reproducir discos de 8 cm.
- No coloque nada que no sea un CD en la abertura para CD.
- Si no se puede insertar un disco completamente o si después de insertar un disco, el disco no se reproduce, compruebe que el lado de la etiqueta del disco está hacia arriba. Presione **CD EJECT** para expulsar el disco, y verifique si no hay daños en el disco antes de insertarlo de nuevo.
- Si el lector de CD incorporado no funciona apropiadamente, un mensaje de error como **ERR 14** puede aparecer. Consulte *Comprensión de los mensajes de error del lector de CD incorporado* en la página 15. 

## Reproducción de pistas en un orden aleatorio

La reproducción aleatoria le permite reproducir las pistas en el CD en un orden aleatorio.

**1 Presione 4 para activar la reproducción aleatoria.**

**RDM** aparece en la pantalla. Las pistas se reproducirán en un orden aleatorio.

**2 Presione 4 para desactivar la reproducción aleatoria.**

La reproducción de las pistas continuará en el orden normal. 



## Repetición de reproducción

La reproducción repetida le permite escuchar la misma pista de nuevo.

**1 Presione 5 para activar la reproducción repetida.**

**RPT** aparece en la pantalla. La pista que está siendo reproducida se reproducirá y se repetirá.

**2 Presione 5 para desactivar la reproducción repetida.**

La pista que está siendo reproducida continuará con la reproducción y después reproducirá la próxima pista.



### Nota

- Si no se realiza una búsqueda musical o avance rápido/retroceso, la reproducción repetida se cancela automáticamente. 

## Pausa de la reproducción de CD

La pausa le permite parar temporalmente la reproducción del CD.

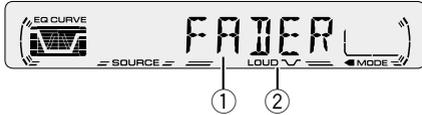
**1 Presione 6 para activar la pausa.**

**PAUSE** aparece en la pantalla. La reproducción de la pista actual se detiene.

**2 Presione 6 para desactivar la pausa.**

La reproducción continuará desde el mismo punto donde la pausa ha sido activada. 

## Introducción a los ajustes de audio



### 1 Visualización AUDIO

Visualiza el estado de los ajustes de audio.

### 2 Indicador LOUD

Aparece en la pantalla cuando se activa la sonoridad.

### Presione AUDIO para visualizar los nombres de las funciones de audio.

Presione **AUDIO** repetidamente para cambiar entre las siguientes funciones de audio:

**FADER** (ajuste del equilibrio)—**EQ** (ecualizador)  
—**LOUD** (sonoridad)—**FIE** (mejorador de imagen delantera)—**SLA** (ajuste de nivel de fuente)

- Cuando se selecciona el sintonizador FM como la fuente, se puede cambiar a **SLA**.
- Para volver a la visualización de cada fuente, presione **BAND**.



### Nota

- Si no se opera la función de audio dentro de aproximadamente 30 segundos, la pantalla vuelve automáticamente a la visualización de la fuente.

## Uso del ajuste del equilibrio

Se puede seleccionar el ajuste de potenciómetro/equilibrio que proporciona un entorno de audición ideal en todos os asientos ocupados.

### 1 Presione AUDIO para seleccionar FADER.

Presione **AUDIO** hasta que **FADER** aparezca en la pantalla.

- Si el ajuste de equilibrio ha sido ajustado previamente, se visualiza **BAL**.

### 2 Presione ▲ o ▼ para ajustar el equilibrio de los altavoces delanteros/traseros.

Cada presión de ▲ o ▼ mueve el equilibrio de los altavoces delanteros/traseros hacia adelante o hacia atrás.

- **F15 – R15** se visualiza mientras el equilibrio de los altavoces delanteros/traseros se mueve hacia adelante o hacia atrás.
- **0** es el ajuste apropiado cuando se usan solamente dos altavoces.

### 3 Presione ◀ o ▶ para ajustar el equilibrio de los altavoces izquierdos/derechos.

Cuando se presiona ◀ o ▶, se visualiza **BAL:0**.

Cada presión de ◀ o ▶ mueve el equilibrio de los altavoces izquierdos/derechos hacia la izquierda o hacia la derecha.

- **BAL:L9 – BAL:R9** se visualiza mientras se mueve el equilibrio de los altavoces izquierdos/derechos hacia la izquierda o hacia la derecha.

### Uso del ecualizador

El ecualizador le permite ajustar la ecualización de acuerdo a las características del interior del coche.

### Llamada de las curvas de ecualización

Hay seis curvas de ecualizadas almacenadas que se pueden llamar fácilmente a cualquier momento. A continuación se muestra la lista de las curvas de ecualización:

Visualización	Curva de ecualización
<b>SBASS</b>	Supergraves
<b>PWRFL</b>	Potente
<b>NTRL</b>	Natural
<b>VOCAL</b>	Vocal
<b>CSTM</b>	Personalizado
<b>FLAT</b>	Neutro

- **CSTM** es una curva de ecualización que se puede ajustar.
- Cuando se selecciona **FLAT**, no se hace ningún suplemento o corrección al sonido. Esto es útil para verificar el efecto de las curvas del ecualizador cambiándose alternativamente entre **FLAT** y una otra curva de ecualización.

#### Presione EQ para seleccionar el ecualizador.

- Si el ecualizador ha sido ajustado previamente a una curva de ecualización diferente de **PWRFL**, se visualizará el título de tal curva de ecualización seleccionada previamente, tal como **SBASS**, **NTRL**, **VOCAL**, **CSTM** o **FLAT**.

### Ajuste de las curvas de ecualización

Los ajustes de la curva del ecualizador seleccionada actualmente se pueden ajustar de la manera deseada. Los ajustes de la curva del ecualizador se memorizan en **CSTM**.

#### 1 Presione AUDIO para seleccionar el ecualizador modo.

Presione **AUDIO** hasta que **EQ** aparezca en la pantalla.

#### 2 Seleccione la banda que desea para ajustar con ◀ y ▶.

**L** (bajo) — **M** (medio) — **H** (alto)

#### 3 Presione ▲ o ▼ para ajustar la curva de ecualización.

Cada presión de ▲ o ▼ aumenta o disminuye la curva de ecualización respectivamente.

- **+6** — **-6** se visualiza mientras se aumenta o disminuye la curva de ecualización.
- La gama real de ajustes difiere dependiendo de la curva de ecualización seleccionada.



#### Nota

- Si realiza ajustes cuando se selecciona una curva diferente a **CSTM**, la curva recién ajustada se reemplaza con la curva anterior. Luego, una nueva curva con **CSTM** aparece en la pantalla mientras se selecciona la curva del ecualizador.

### Ajuste de la sonoridad

La sonoridad compensa las deficiencias en las gamas de sonido bajas y altas cuando se escucha en volumen bajo.

#### 1 Presione AUDIO para seleccionar LOUD.

Presione **AUDIO** hasta que **LOUD** aparezca en la pantalla.

#### 2 Active o desactive LOUD con ▲/▼.

#### 3 Seleccione el nivel deseado con ◀/▶.

**LOW** (bajo) — **MID** (medio) — **HI** (alto)



### Nota

- Es posible activar o desactivar la función **LOUD** presionando **LOUDNESS**.

## Mejorador de imagen delantera (FIE)

La función F.I.E. (Front Image Enhancer) provee un método simple de mejorar la imagen delantera mediante el corte de la salida de las frecuencias de gama media y alta desde los altavoces traseros, limitando sus salidas a las frecuencias de gama baja. Se puede seleccionar la frecuencia que desea cortar.



### Precaución

- Cuando se desactiva la función F.I.E., la salida de los altavoces traseros se genera en todas las frecuencias, y no solamente suenan los graves. Reduzca el volumen antes de desactivar la función F.I.E. para evitar un aumento repentino del volumen.

### 1 Presione **AUDIO** para seleccionar **FIE**.

Presione **AUDIO** hasta que **FIE** aparezca en la pantalla.

### 2 Active o desactive **FIE** con **▲/▼**.

### 3 Seleccione la frecuencia deseada con **◀/▶**. 100—160—250 (Hz)



### Notas

- Después de activar la función F.I.E., seleccione el modo de potenciómetro/equilibrio en el menú de audio, y ajuste los niveles de volumen de los altavoces delanteros y traseros, hasta que se equilibren.
- Desactive la función F.I.E. cuando utilice un sistema de 2 altavoces.

## Ajuste de los niveles de la fuente

La función SLA (ajuste de nivel de fuente) le permite ajustar el nivel de volumen de cada fuente para evitar cambios radicales en el volumen cuando se cambia entre fuentes.

- Los ajustes se basan en el nivel de volumen del sintonizador FM, que permanece inalterado.

### 1 Compare el nivel de volumen del sintonizador FM con el nivel de la fuente que desea ajustar.

### 2 Presione **AUDIO** para seleccionar **SLA**.

Presione **AUDIO** hasta que **SLA** aparezca en la pantalla.

### 3 Presione **▲** o **▼** para ajustar el volumen de la fuente.

Cada presión de **▲** o **▼** aumenta o disminuye el volumen de la fuente.

- **SLA +4 – SLA -4** se visualiza mientras se aumenta o disminuye el volumen de la fuente.



### Notas

- Como el volumen del sintonizador FM es el control, no es posible aplicar los ajustes de nivel de fuente al sintonizador FM.
- El nivel del volumen del sintonizador AM también se puede ajustar con el ajuste de nivel de fuente.

### Ajuste de la hora

Esto se usa para ajustar la hora en la visualización del reloj del sistema.

- 1 **Presione SOURCE y sostenga hasta que se apague el sistema.**
- 2 **Presione AUDIO y sostenga hasta que TIME (12:00) aparezca en la pantalla.**
- 3 **Seleccione los dígitos de la visualización del reloj que desea ajustar con ◀/▶.**

Presionar ◀/▶ cambia entre horas y minutos.

#### **HOUR—MINUTE**

Al seleccionar las horas o minutos de la visualización del reloj, los dígitos seleccionados destellan.



- 4 **Ajuste la hora correcta con ▲/▼.**

Presionar ▲ aumenta los dígitos seleccionados. Presionar ▼ disminuye los dígitos seleccionados.

- Para cancelar el ajuste de la hora, presione **BAND**.
- También se puede cancelar el ajuste de la hora presionando **AUDIO** hasta que se apague el sistema.

### Activación y desactivación de la visualización del reloj

Se puede activar la visualización de reloj aún cuando las fuentes están desactivadas.

#### **Presione CLOCK para seleccionar la visualización del reloj.**

Cada presión de **CLOCK** activa o desactiva la visualización del reloj.

- La visualización del reloj desaparece temporalmente cuando se realizan otras operaciones, pero la indicación de la hora se visualiza de nuevo después de 25 segundos.

### Lector de CD y cuidados

- Utilice solamente CDs que llevan marca Compact Disc Digital Audio que se muestra a continuación.



- Utilice solamente CDs normales, redondos. Si se coloca un CD de otra forma, no redondo, el CD puede atascarse en el lector de CD o no reproducirse apropiadamente.



- Verifique todos los CDs para ver si no hay grietas, arañazos o alabeos antes de reproducirlos. CDs con grietas, arañazos o alabeado pueden no reproducirse adecuadamente. No utilice tales discos.
- Evite tocar la superficie grabada (lado no impreso) cuando maneje los discos.
- Almacene los discos en sus cajas cuando no estén en uso.
- Mantenga los discos fuera del alcance de rayos solares directos y no exponga los discos a altas temperaturas.
- No fije etiquetas, no escriba ni aplique químicos en la superficie de los discos.
- Para limpiar la suciedad de un CD, limpie el disco con un paño suave, del borde al centro del disco.



- Si se usa un calentador en el invierno, se puede formar humedad condensada en las piezas internas del lector de CD. La humedad condensada puede causar una falla del lector de CD. Cuando esto ocurra, apague el lector de CD durante una hora más o menos para permitir que el lector de CD seque y limpie cualquier disco húmedo con un paño suave para eliminar la humedad.
- Vibraciones en la calle pueden interrumpir la reproducción de CD. ▣

### Discos CD-R/CD-RW

- Discos CD-R (CDs que se pueden grabar) y CD-RW (CDs que se pueden regrabar) grabados en unidades CD-R/CD-RW que no sean un grabador de CD de música, pueden no reproducirse adecuadamente en este lector de CD.
- Discos CD-R/CD-RW de música, aún que grabados en un grabador de CD de música, pueden no reproducirse correctamente en este lector de CD debido a diferentes características del disco, arañazos o suciedades en el disco. La suciedad o condensación de humedad en el lente interior de este sistema también pueden impedir la reproducción.
- Lea las precauciones con los discos CD-R/CD-RW antes de usarlos. ▣

### Comprensión de los mensajes de error del lector de CD incorporado

Cuando ocurren problemas durante la reproducción de CD, un mensaje de error puede aparecer en la pantalla. Cuando esto ocurra, refiérase a la tabla a continuación para ver la causa del problema y la acción correctiva sugerida. Si no es posible corregir el error, póngase en contacto con su revendedor o centro de servicios autorizado de PIONEER más cercano.

Mensaje	Causa	Acción
<b>ERR 11, 12, 17, 30</b>	Disco sucio	Limpie el disco.
<b>ERR 11, 12, 17, 30</b>	Disco arañado	Reemplace el disco.
<b>ERR 14</b>	Disco en blanco	Verifique el disco.
<b>ERR 10, 11, 12, 14, 17, 30, A0</b>	Problema eléctrico o mecánico	Cambie la llave de encendido del automóvil entre "ON" y "OFF", o cambie a una fuente diferente, y después vuelva al lector de CD.
<b>HEAT</b>	Recalentamiento del lector de CD	Apague el lector de CD y espere que se enfríe.



## Especificaciones

### General

Fuente de alimentación	..... 14,4 V CC (10,8 – 15,1 V permisible)
Sistema de conexión a tierra	..... Tipo negativo
Consumo de energía máximo	..... 10,0 A
Dimensiones (An x Al x Pr):	
(DIN)	
Bastidor	..... 178 x 50 x 157 mm
Cara anterior	..... 188 x 58 x 19 mm
(D)	
Bastidor	..... 178 x 50 x 162 mm
Cara anterior	..... 170 x 48 x 14 mm
Peso	..... 1,3 kg

### Audio

La potencia de salida continua es de 20 W por canal, mínima a 4 ohmios, ambos canales activados, 50 Hz a 15.000 Hz, con una distorsión armónica de no más del 5%.

Potencia de salida máxima	..... 45 W x 4
Impedancia de carga	..... 4 $\Omega$ (4 – 8 $\Omega$ permisible)
Nivel de salida máxima de presalida/impedancia de salida	..... 2,2 V/1 k $\Omega$
Ecualizador (Ecualizador de 3 bandas):	
(BAJO)	..... Nivel: $\pm 12$ dB
(MEDIO)	..... Nivel: $\pm 12$ dB
(ALTO)	..... Nivel: $\pm 12$ dB
Contorno de sonoridad:	
(BAJO)	..... +3,5 dB (100 Hz), +3 dB (10 kHz)
(MEDIO)	..... +10 dB (100 Hz), +6,5 dB (10 kHz)
(ALTO)	..... +11 dB (100 Hz), +11 dB (10 kHz) (volumen : -30 dB)

### Lector de CD

Sistema	..... Sistema de audio de discos compactos
Discos usables	..... Disco compacto
Formato de la señales:	
Frecuencia de muestreo	..... 44,1 kHz
Número de cuantización de bits	..... 16; lineal
Características de la frecuencia	..... 5 – 20.000 Hz ( $\pm 1$ dB)
Relación de señal a ruido	..... 94 dB (1 kHz) (red IHF-A)
Gama dinámica	..... 92 dB (1 kHz)
Número de canales	..... 2 (estéreo)

### Sintonizador FM

Gama de frecuencias	..... 87,9 – 107,9 MHz
Sensibilidad utilizable	..... 9 dBf (0,8 $\mu$ V/75 $\Omega$ , mono, Señal/ruido: 30 dB)
Umbral de silenciamiento a 50 dB	..... 15 dBf (1,5 $\mu$ V/75 $\Omega$ , mono)
Relación de señal a ruido	..... 70 dB (red IHF-A)
Distorsión	..... 0,3% (a 65 dBf, 1 kHz, estéreo)
Respuesta de frecuencia	..... 30 – 15.000 Hz ( $\pm 3$ dB)
Separación estéreo	..... 40 dB (a 65 dBf, 1 kHz)
Selectividad	..... 70 dB
Intermodulación de tres señales (Nivel de señal deseada)	..... 30 dBf (Nivel de señales no deseadas: 100 dBf)

### Sintonizador AM

Gama de frecuencias	..... 530 – 1.710 kHz (10 kHz)
Sensibilidad utilizable	..... 18 $\mu$ V (Señal/ruido: 20 dB)
Selectividad	..... 50 dB ( $\pm 10$ kHz)



### Nota

- Las especificaciones y el diseño están sujetos a posibles modificaciones sin previo aviso debido a mejoramientos.





**PIONEER CORPORATION**

4-1, MEGURO 1-CHOME, MEGURO-KU, TOKYO 153-8654, JAPAN

**PIONEER ELECTRONICS (USA) INC.**

P.O. Box 1760, Long Beach, California 90801, U.S.A.

TEL: (800) 421-1404

**PIONEER EUROPE NV**

Haven 1087, Keetberglaan 1, B-9120 Melsele, Belgium

TEL: (0) 3/570.05.11

**PIONEER ELECTRONICS AUSTRALIA PTY. LTD.**

178-184 Boundary Road, Braeside, Victoria 3195, Australia

TEL: (03) 9586-6300

**PIONEER ELECTRONICS OF CANADA, INC.**

300 Allstate Parkway, Markham, Ontario L3R OP2, Canada

TEL: (905) 479-4411

**PIONEER ELECTRONICS DE MEXICO, S.A. de C.V.**

San Lorenzo 1009 3er. Piso Desp. 302

Col. Del Valle Mexico, D.F. C.P. 03100

TEL: 5-688-52-90

Published by Pioneer Corporation.

Copyright © 2001 by Pioneer Corporation.

All rights reserved.

Publication de Pioneer Corporation.

Copyright © 2001 Pioneer Corporation.

Tous droits de reproduction et de traduction réservés.

## Free Manuals Download Website

<http://myh66.com>

<http://usermanuals.us>

<http://www.somanuals.com>

<http://www.4manuals.cc>

<http://www.manual-lib.com>

<http://www.404manual.com>

<http://www.luxmanual.com>

<http://aubethermostatmanual.com>

Golf course search by state

<http://golfingnear.com>

Email search by domain

<http://emailbydomain.com>

Auto manuals search

<http://auto.somanuals.com>

TV manuals search

<http://tv.somanuals.com>