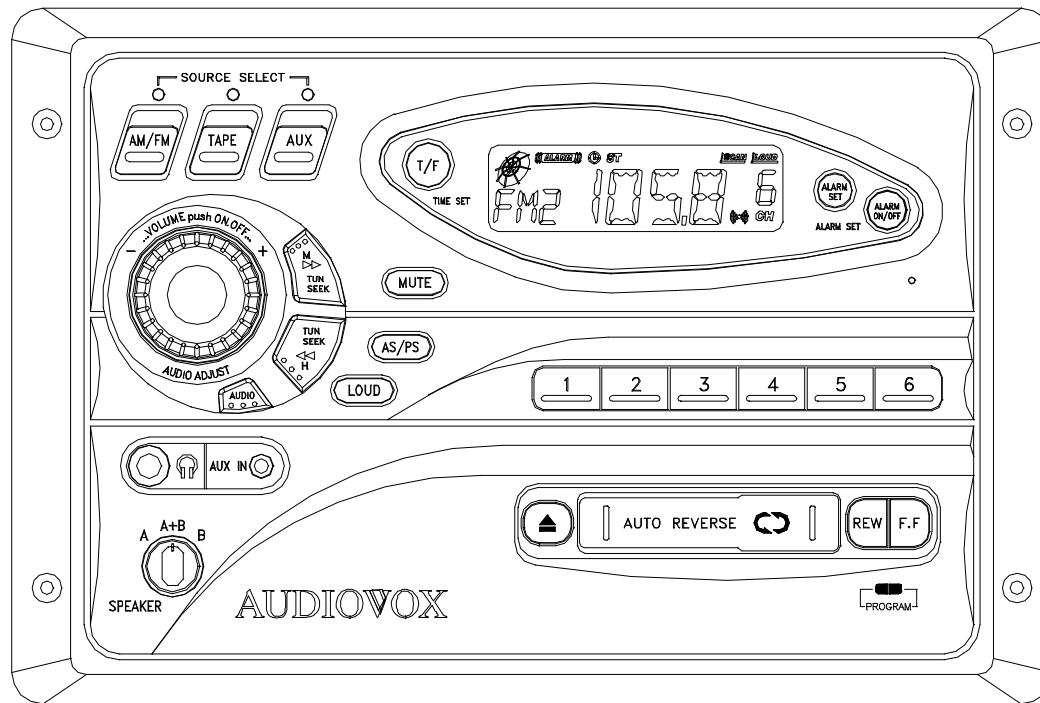
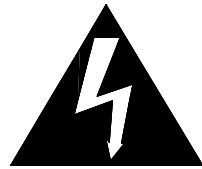


AUDIOVOX

AWM820 Owner's Manual

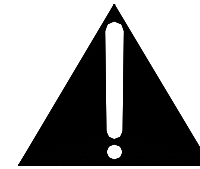


HIGH POWER AM/FM STEREO/CASSETTE PLAYER
DESIGNED SPECIFICALLY FOR
THE VAN AND RV INDUSTRIES

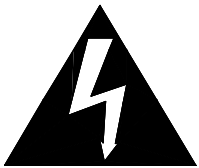


CAUTION

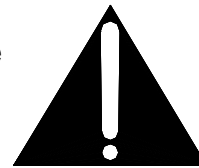
RISK OF ELECTRIC SHOCK
DO NOT OPEN



CAUTION: TO REDUCE THE RISK OF ELECTRIC SHOCK, DO NOT REMOVE COVER (ON BACK). NO USER-SERVICEABLE PARTS INSIDE. REFER SERVICING TO QUALIFIED SERVICE PERSONNEL.



The lightning flash and arrowhead within the triangle is a warning sign alerting you of "dangerous voltage" inside the product.



The exclamation point within the triangle is a warning sign alerting you of important instructions accompanying the product.

WARNING: TO PREVENT FIRE OR SHOCK HAZARD, DO NOT EXPOSE THIS APPLIANCE TO RAIN OR MOISTURE. DO NOT REMOVE COVER. PILOT LAMPS SOLDERED IN PLACE. NO USER SERVICEABLE PARTS INSIDE. REFER SERVICING TO QUALIFIED SERVICE PERSONNEL.

IMPORTANT NOTES

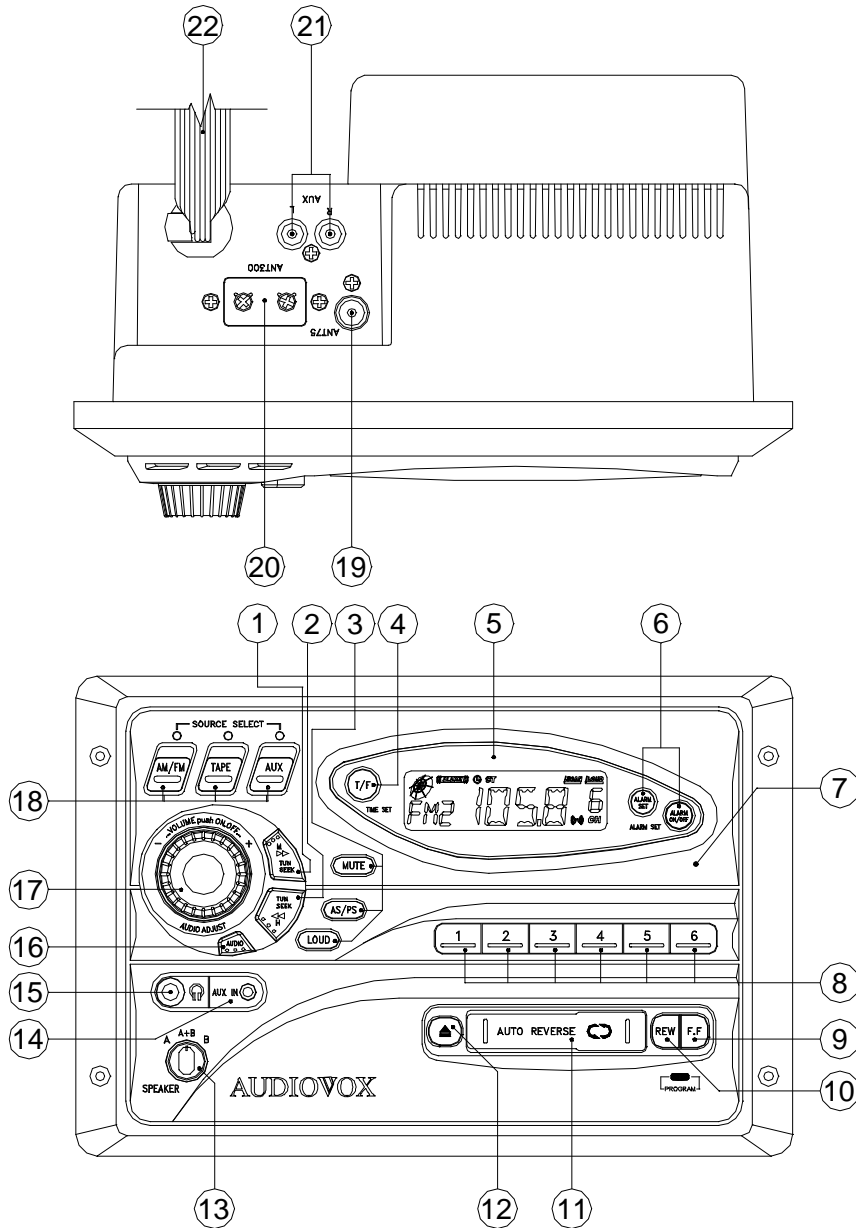
*Avoid installing the unit in locations described below:

- Places exposed to direct sunlight or close to heat radiating appliances such as electric heaters
- On top of other stereo equipment that radiates too much heat
- Places lacking ventilation or dusty places
- Humid or moist places

*Read Owner's Manual before operating

*Be sure all connections are properly made before turning power on.

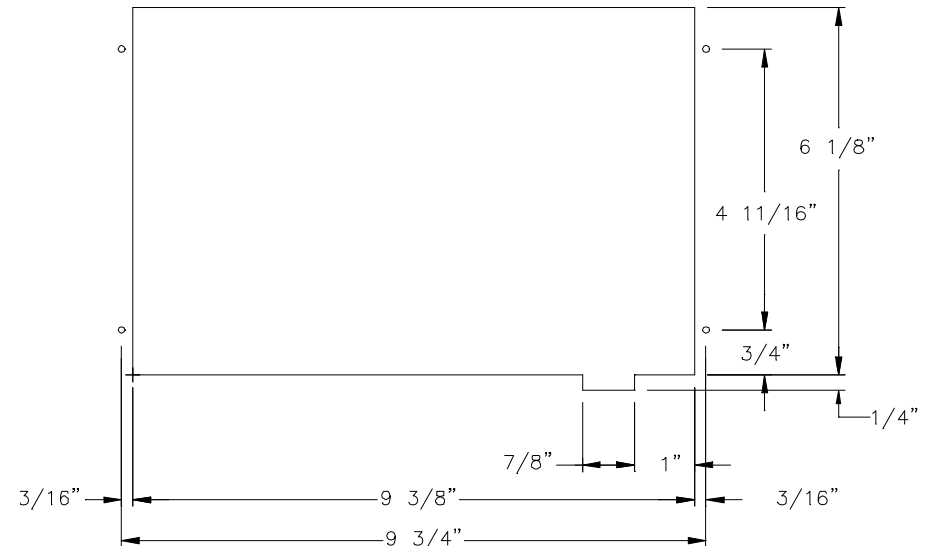
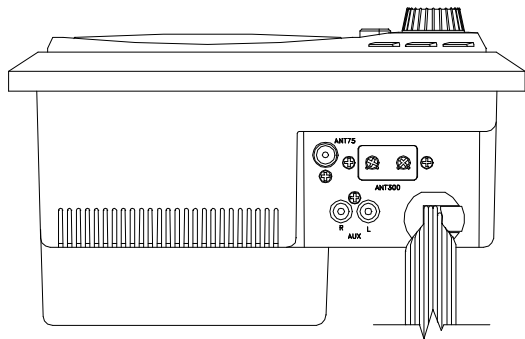
IDENTIFICATION OF CONTROLS / CONNECTIONS



- 1) Tuning Up / Minute Set Button
- 2) Tuning Down / Hour Set Button
- 3) Mute / AS/PS / Loud Buttons
- 4) Time Set Button
- 5) Display Window
- 6) Alarm Set / Alarm On/Off Buttons
- 7) Button Reset
- 8) Preset Buttons
- 9) Cassette Fast Forward Button
- 10) Cassette Rewind Button
- 11) Cassette Player
- 12) Cassette Eject Button
- 13) Speaker Selector
- 14) 1/8" Auxiliary Input Jack
- 15) Stereo Headphone Jack
- 16) Audio Adjust Button
- 17) Power Switch w/Volume Control
- 18) Source Selectors
- 19) Car Antenna Jack 75 Ω
- 20) FM Antenna Terminals
- 21) RCA Auxiliary Input Terminals
- 22) Harness

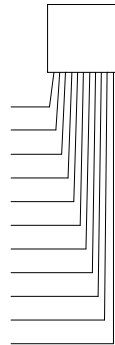
INSTALLATION AND HOOK UP

- 1) Cut mounting hole in desired location using mounting hole diagram (right).
- 2) Route power, speaker, and antenna cables through hole, and connect to unit as shown in hook up diagram below.
- 3) After making sure connections are correct, test unit operation as described in the operation section (Do not mount until AM antenna trimmer adjustment has been made).



WIRING COLOR CODE
FOR AWM-820

COLOR	FUNCTION
ORANGE/WHITE	+12VDC IGNITION POWER
GREEN/WHITE	+12VDC BATTERY POWER
BLACK/WHITE	TO CHASSIS GROUND
WHITE	LEFT (A) SPEAKER (+)
VIOLET	LEFT (A) SPEAKER (-)
BLUE	RIGHT (A) SPEAKER (+)
LIGHT GREEN	RIGHT (A) SPEAKER (-)
RED	LEFT (B) SPEAKER (+)
VIOLET/BLACK	LEFT (B) SPEAKER (-)
YELLOW	RIGHT (B) SPEAKER (+)
LT.GREEN/BLACK	RIGHT (B) SPEAKER (-)



NOTES:

- Speakers must have a minimum of four Ω impedance each.
- Either antenna may be used. Both do not have to be hooked up at the same time.
- Do not operate this unit with only one speaker hooked up. If a speaker fails, replace it before operating this unit.

NOTE: Always be sure when running cables to avoid sharp edges, extreme heat sources, and any other potential hazards.

OPERATING INSTRUCTIONS

NOTE: Number in parenthesis (#) corresponds with “Identification of Controls / Connections” on page 1 of this manual.

LIQUID CRYSTAL DISPLAY PANEL

The liquid crystal display (LCD) panel displays the frequency, time, and activated functions.

Note: It is a characteristic of LCD panels that if subjected to cold temperatures for an extended period of time, they will take longer to illuminate than under normal conditions. In addition, the visibility on the numbers of the LCD may slightly decrease. The LCD read out will return to normal when the temperature increases to a normal range.

TUNER

- 1) Turn power on by pushing the Power Switch Control Button (17).
- 2) Use the Source Selectors (18), select the AM /FM button.
- 3) Use the Speaker Selector Switch (13) to choose between speaker output, headphones, or both.
- 4) Use Tuning Up (1) or Down (2) buttons to select the station manually. Also, the Station Preset buttons can select stations (this will be discussed later in the manual). Push either of the Seek buttons (1 or 2) to tune to the next higher or lower active station.
- 5) Adjust Volume Control (17) to suit taste.

CASSETTE TAPE PLAYER

- 1) Turn power on by pushing the Power Switch/Volume Control button (17).
- 2) Use the Source Selectors (18), to select the TAPE button.
- 3) Use the Speaker Selector Switch (13) to choose between speaker output, headphones, or both.
- 4) Press the Cassette Eject button (12) to eject any cassettes that may already be in the player.
- 5) Insert a cassette into the Cassette Player (11).
- 6) The cassette will automatically play when inserted.
- 7) You may rewind or fast forward the cassette using the REW or F.F. buttons (10 and 9).
- 8) To change sides of the cassette, press the REW and F.F. buttons (10 and 9), simultaneously.
- 9) To eject the cassette, press the Cassette Eject button (12).

AUXILIARY INPUT

- 1) Push Power Switch (17) "on".
- 2) Using the Source Selectors (18), choose the button labeled "AUX".
- 3) If there is an external source (ie. CD shuttle) connected to the Auxiliary In Jacks (21) on the rear of the radio, then you can listen to your external source through the system.
- 4) An external auxiliary source can also be used (such as a portable cassette player) through the 1/8" Auxiliary Stereo Input Jack (14) on the front of the radio.

SETTING THE CLOCK

- 1) Push the Power Switch (17) "on".
 - 2) Hold the T/ F button (4).
 - 3) Use the H and M buttons (1 and 2) to adjust hours and minutes.
- Note: The T/ F also toggles between time and radio frequency on the display.

SETTING STATIONS INTO MEMORY PRESET

- 1) This unit has the ability to set 18 FM and 12 AM stations into memory.
- 2) To set the AM or FM stations into memory, first tune to the desired station.
- 3) Once at the desired station, press and hold preset button (8) you wish to program for more than 3 seconds.

USING THE AUDIO ADJUST BUTTON

- 1) You can toggle between volume, treble, bass, and balance control by pressing the Audio Adjust button (16).
- 2) Once at the desired function, you can use the volume knob to adjust.

SETTING THE ALARM

- 1) Hold the Alarm Set button (6).
- 2) Use the H and M buttons (1 and 2) to adjust hours and minutes.
- 3) The Alarm On /Off button (6) activates or deactivates the alarm.

BEEP FEATURE

- 1) Hold the Audio Adjust button to enable the beep feature (16). Lower right side will display an audio symbol when this feature is turned on.
- 2) When this feature is on, turning different features on or off will produce two different tones, higher tone for ON, and lower tone for OFF.
- 3) Completely removing power from the unit will turn the beep feature off.

AS/PS BUTTON

This button is for Auto-Store Tuning (AS) and Pre-set Scan Tuning (PS) (3)

- 1) Press this button momentarily during radio operation to scan the stations pre-set into the memories of that band. The unit will stop at each pre-set station for approx. 5 seconds before continuing on to the next pre-set station. Press this button again momentarily to stop pre-set scan operation and remain on the selected station.
- 2) Pressing this button for longer than 2 seconds will activate the Auto-store Tuning feature which will automatically scan the band and enter up to 6 strong stations into the 6 pre-set memories (the indication "AST" will flash on the display to show that Auto-store Tuning is in progress). After entering the stations into the memories, the unit will automatically stop at each station for approx. 5 seconds so each can be heard.

NOTE: If you have already set the pre-set memories to your favorite stations, Activating the Auto-store feature will erase those stations and enter the new strong stations.

SPECIFICATIONS

Size:	Overall Size	10.43" (W) x 7" (H) x 6.25" (D) 265mm (W) x 178mm (H) x 159mm (D)
	Mounting Size	9.25" (W) x 6.05" (H) x 5.25" (D) 235mm (W) x 154mm (H) x 133mm (D)
Operating Voltage:		10 to 16 Volts DC
Output Power:		50 Watts Total (25 Watts per Channel)
Output Wiring:		2/4 Speaker and Headphone System
Output Impedance:		Compatible with 4 to 8 Ω Speakers, 4 Ω load minimum
Tuning Range:		(AM) 530 -1720 KHz (FM) 87.5 – 107.9 MHz
Sensitivity:		(AM) less than 30uv (FM) less than 5uv
FM Stereo Separation:		More than 24dB
Frequency Response:		40-12,000 Hz
Wow & Flutter:		0.15%
Tape S/N Ratio:		50dB standard tape

Designs and Specifications are subject to change without notice

ACCESSORY LIST

Description	Part Number
AVT-988 9" Color Television with Remote (12V)	AVT988
AVT-597 5" Color Television with Remote (12V)	AVT597
AVT-1498 13" Color Television with Remote (12V)	AVT1498
AVP-7000 Video Cassette Player (12V)	AVP7000
AVP-7285 Video Cassette Player (12V)	AVP7285
Wireless Headphone Kit: Includes 2 sets Wireless Headphones and Transmitter	WRFKIT1
BPA-501-12 4 Amp Adapter for use with AVT-988 9" and AVT-1498 13" Televisions	0891412
AC2A- 2 Amp Adapter for use with AVT-597 5" TV and AVP-7000 Video Cassette Player	0891436
Unified Remote Control	0892325
VAC-21- 12 Volt Corded Vacuum	VAC21
AVF-1 12 Volt Rechargeable Flashlight	AVF1
HP-175 Headphones with Pivoting Ear Cup	HP175
HP-275 Headphones with Volume Control on Cord	HP275
HP-375 Studio Quality Headphones	HP375

Unlike household electronics, all of our products have been specifically designed and tested for the mobile environment and are only available through ASA. To order any of these products, please contact Audiovox Specialized Applications at www.asaelectronics.com or 800-688-3135.



AUDIOVOX **S**PECIALIZED **A**PPPLICATIONS, L.L.C.

23319 Cooper Drive

Elkhart, IN 46514

(219) 264-3135 FAX (219) 264-3007

www.asaelectronics.com

Revision F
12/00

Free Manuals Download Website

<http://myh66.com>

<http://usermanuals.us>

<http://www.somanuals.com>

<http://www.4manuals.cc>

<http://www.manual-lib.com>

<http://www.404manual.com>

<http://www.luxmanual.com>

<http://aubethermostatmanual.com>

Golf course search by state

<http://golfingnear.com>

Email search by domain

<http://emailbydomain.com>

Auto manuals search

<http://auto.somanuals.com>

TV manuals search

<http://tv.somanuals.com>