

**Pioneer** *sound.vision.soul*

**DVD- / CD-WRITER**  
**GRAVEUR DE DVD/CD**

# DVR-1910LS

Operating Instructions  
Mode d'emploi

## CAUTION

**RISK OF ELECTRICAL SHOCK  
DO NOT OPEN**

**CAUTION:**  
TO PREVENT THE RISK OF ELECTRICAL SHOCK OR INJURY, DO NOT REMOVE COVER (FRONT OR BACK). NO USER-SERVICABLE PARTS ARE INSIDE. REFER SERVICING TO QUALIFIED SERVICE PERSONNEL.



*(this page intentionally left blank)*

## IMPORTANT



The lightning flash with arrowhead symbol within an equilateral triangle is intended to alert the user to the presence of un-insulated "dangerous voltage" with the product's enclosure that may be of sufficient magnitude to constitute a risk of electrical shock to individuals.

## CAUTION

**RISK OF ELECTRICAL SHOCK  
DO NOT OPEN**

### CAUTION:

TO PREVENT THE POSSIBLE RISK OF ELECTRICAL SHOCK OR INJURY, DO NOT REMOVE THE COVER (FRONT, BACK, OR TOP). NO USER-SERVICABLE PARTS ARE INSIDE. REFER SERVICING TO QUALIFIED SERVICE PERSONNEL.



The exclamation mark within an equilateral triangle is intended to alert the user to the presence of important operating and maintenance (servicing) instructions in the literature accompanying the product.

**Note:** This equipment has been tested and found to comply with the limits for a Class B digital device, pursuant to Part 15 of the FCC Rules. These limits are designed to provide reasonable protection against harmful interference in a residential installation. This equipment generates, uses, and can radiate radio frequency energy and, if not installed and used in accordance with instructions, may cause harmful interference to radio communications. However, there is no guarantee that interference will not occur in a particular installation. If this equipment does cause harmful interference to radio or television reception, which can be determined by turning the equipment OFF and ON, the user is encouraged to try to correct the interference by one or more of the following measures:

- Reorient or relocate the receiver or receiving antenna.
- Increase the separation between the equipment and the receiver.
- Plug the equipment into an outlet on a circuit different from the receiver.
- Consult the dealer or an experienced radio/TV technician for assistance.

### Information to User:

Alteration or modifications carried out without appropriate authorization may invalidate the user's right to warranty service or other assistance.

[For Canadian Model]

This Class B apparatus complies with Canadian ICES-003.

[Pour le modèle Canadien]

Cet appareil numérique de la Classe B est conforme à la norme NMB-003 du Canada.

**DANGER – VISIBLE AND INVISIBLE LASER RADIATION WHEN OPEN. AVOID DIRECT EXPOSURE TO BEAM.**

**CAUTION:** Use of controls or adjustments or performance of procedures other than those specified herein may result in hazardous radiation exposure.

**CAUTION:** The use of optical instruments with this product will increase eye hazard.

*This product complies with the EMC Directives (89/336/EEC, amended by 92/31/EEC and 93/68/ECC).*

*Cet produit est conforme aux Directives relatives à la Compatibilité Électromagnétique (89/336/CEE, amendements 92/31/CEE et 93/68/CEE).*

*Este producto cumple con las Directivas EMC (89/336/CE, correcto por la 92/31/CE y la 93/68/CE).*

Federal Communications Commission  
Declaration of Conformity

*This device complies with part 15 of the FCC Rules. Operation is subject to the following two (2) conditions:*

- ( 1 ) This device may not cause harmful interference*
- ( 2 ) This device must accept any interference received, including interference that may cause undesired operation.*

Product Name: DVD / CD Writer

Model Numbers: DVR-1910LS

Responsible Party Name: PIONEER ELECTRONICS (USA) INC.  
Customer Support Division

Address: 1925 E. Dominguez Street, Long Beach, CA 90810 U.S.A.

Thank you for buying this Pioneer product. Please read through these operating instructions so you will know how to operate your model properly. After you have finished reading the instructions, put them away in a safe place for future reference.

**WARNING:**

**This product is not waterproof. To prevent a fire or shock hazard, do not place a container filled with liquid near this unit or expose it to other sources of moisture.**

**WARNING:** Handling the product's cord or cords associated with accessories sold with the unit will expose you to lead, a chemical known by California and other governmental entities to cause cancer and birth defects or other reproductive harm. ***Wash Hands After Handling.***

The generation of acoustical noise is less than 70dB (ISO7779/DIN45635)

**CAUTION**

This product is a Class 1 laser product but this product contains a laser diode higher than Class 1. To ensure continued safety, do not remove any covers or attempt to gain access to the inside of this product. Refer all servicing to qualified personnel. The caution label shown to the right appears on your unit (top of cover).

**CLASS 1 LASER PRODUCT  
LASER KLASSE 1**

**IMPORTANT NOTICE** – RECORD THE MODEL NUMBER AND SERIAL NUMBER OF THIS UNIT BELOW. THE NUMBERS ARE ON THE REAR PANEL.

MODEL #: **DVR-1910LS** \_\_\_\_\_

SERIAL #: \_\_\_\_\_

KEEP THESE NUMBERS FOR FUTURE REFERENCE.



is a trademark of the DVD Format / Logo Licensing Corporation.

## SAFETY INSTRUCTIONS

To ensure your personal safety and to maximize the full operating potential of your unit, read and follow these safety instructions.

**Environment** – Avoid installing this drive in a location with exposure to large quantities of dust, high temperatures, high humidity, or subject to excessive vibrations or shocks.

**Power** – Turn OFF the system before installing this or any other hardware device.

**Read & Retain Instructions** – Read all operating and user information provided with this drive.

**Cleaning** – Use a damp cloth to clean the exterior housing. Avoid using any fluids including liquid, aerosol or alcohol-based cleaning products.

**Water or Moisture** – Avoid operating or locating this drive near water or other sources of fluid.

**Power Sources** – Operate this drive only from the recommended power sources. If you are unsure of the power source, consult an authorized Pioneer representative.

**Overloading** – Avoid connecting too many devices to a single wall socket or power source as this can cause fires or short circuits.

**Object & Liquid Entry** – Never push inappropriate objects in to the device. Avoid spilling any liquids in to or on the outside of the drive.

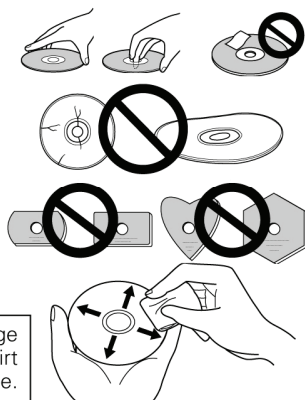
**Condensation** – Moisture can form in the operating section of the product if the drive is taken from cool surroundings to a room with a warmer temperature. Let the drive stand for one to two hours in the new location before turning it ON.

**Servicing** – Opening or removing the cover exposes you to possible electrical shock or other danger. Contact a Pioneer authorized service representative for repairing this drive (refer to the enclosed Service & Support Card).

**About DualDisc Playback** – DualDisc is a two-sided disc with one side containing DVD video / audio / etc. content and the opposite side containing non-DVD content such as digital audio material. The non-DVD audio side is not compliant with the CD Audio Specification; therefore, may not play. The DVD side of DualDisc media plays in this unit. For more details about the DualDisc specification, please refer to the disc manufacturer or your retailer.

- Avoid touching or scratching the signal surface (shiny side) of the disc.
- Hold the disc by the edges or by the center hole and one edge.
- Do not affix paper or labels to the disc.
- Discard warped or cracked discs as they may cause damage to the drive.
- Avoid specially shaped discs such as hearts or polygons.
- Remove dust or lint from the disc with a soft cloth by wiping from the inside to the outside edge rather than in a circular motion.
- Do not use record-cleaning or anti-static agents as the solutions may cause damage to a disc.

Always be sure to store your discs in proper DVD-R storage cases when not in use, and always be sure to check for dirt or dust on discs (especially on the recording side) before use.



*Note: Some discs may not be playable due to different recording formats or the physical condition of the disc at the time of recording or playback.*

## FEATURES

- Write Speed (\*CAV, \*\*ZCLV, \*\*\* This specification describes the maximum speed in one zone.)

DVD-R	1x, 2x, 6x, 8x**, 12x**, 16x**, 18x**, 20x**
DVD-R (DL)	2x, 4x, 6x, 8x***
DVD-RW	1x, 2x, 4x, 6x
DVD+R	2.4x, 4x, 6x, 8x**, 12x**, 16x**, 18x**, 19.6x**
DVD+R (DL)	2.4x, 4x, 6x, 8x***
DVD+RW	2.4x, 3.3x, 4x, 6x, 8x**
DVD-RAM	2x, 3x, 5x, 6x, 8x, 12x
CD-R	4x, 10x, 16x, 24x**, 32x**, 40x**
CD-RW	4x, 10x, 16x, 20x**, 24x**, 32x**

- Maximum Read Speed

DVD-ROM (single)	16x	DVD-ROM (DL)	8x
DVD-R, DVD+R	12x	DVD-R (DL)	8x
DVD-RW, DVD+RW	8x	DVD+R (DL)	8x
CD-ROM, CD-R	40x	CD-RW	32x
DVD-RAM	12x**		
DualDisc	<i>(please refer to the previous page in this document)</i>		

- IDE Data Transfer Mode PIO Mode 4 / Multi-Word DMA Mode 2 / Ultra DMA Mode 4
- Buffer Memory Size 2 MBytes (Read/Write)
- 5.25" Half-Height built-in type
- Stereo Audio Output
- Horizontal / Vertical orientation
- Low vibration mechanism
- LightScribe for identifying/marking discs (with applicable LightScribe software and media)
- Disc Format (Read/Write)
  - DVD single layer/dual layer / 120mm / 80mm disc
  - DVD-R (when writing, use only 650nm – for General use – media)
  - DVD-R (4x, 8x, 16x, 18x, 20x write speed)
  - Dual Layer DVD-R and Double Layer DVD+R
  - DVD-RW (1x, 2x, 4x, 6x write speed)
  - DVD+R (2.4x, 4x, 8x, 16x, 18x, 19.6x write speed)
  - DVD+RW (2.4x, 4x, 8x write speed)
  - DVD-RAM (non-cartridge, Version 2.0, Version 2.1) (2x, 3x, 5x, 6x, 8x, 12x write speed)
  - LightScribe DVD and CD (12cm, Ver 1.0 and 1.2)
  - CD-ROM Mode 1
  - CD-R XA Mode 2 (form 1, form 2)
  - Photo CD (single and multiple sessions)
  - CD-DA
  - CD-Extra (CD PLUS)
  - Video-CD
  - CD Text
  - CD-R
  - CD-RW / High Speed CD-RW / Ultra Speed CD-RW

### Note:

- A specific application program is necessary to write the formats listed above.
- Supported media required for specific DVD and CD writing speeds.
- When writing to DVD at 12x and 16x and above, use Pioneer-tested media. For media brand information, refer to the Pioneer website: [www.pioneerelectronics.com](http://www.pioneerelectronics.com)
- To use LightScribe, a LightScribe drawing software program and applicable media are necessary.
- When creating a LightScribe disc label image, burning a second drawing on top of the first drawing affects the final label quality.



### 1) Disc Tray

Press the Eject button to open the loading tray then place a CD or DVD disc onto the tray with the label facing up. Press the Eject button again or gently push the tray to close and load.  
**Do not attempt to pull out the disc tray forcibly – use the Forced Ejection Hole (1).**

### 2) BUSY Indicator

Operation status is indicated as follows:

During reading: Lights

During writing: Lights

### 3) Forced Ejection Hole

If the tray fails to eject when the Eject button is pressed, insert a stiff rod into the hole and push to eject the tray.

*During normal operation, the eject button should be used to unload the tray. Turn the power to the drive OFF then wait approximately one minute until the disc stops spinning before trying to eject the tray using the Forced Ejection Hole.*

### 4) Eject Button

Press the button to unload / load the disc.

---

## Precautions When Playing 8cm (3.15”) Discs

*An 8cm (3.15”) disc cannot be played when the drive is mounted vertically even with an adapter.*

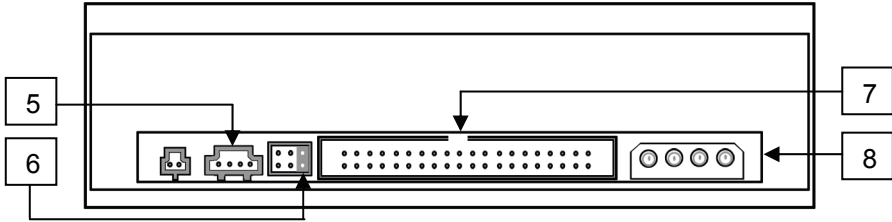
## ABOUT REGION CODES

The region code can only be changed five (5) times, including the initial setting. Please be aware that the fifth change becomes **PERMANENT**. Therefore, avoid changing the region code unless absolutely necessary.

- Region codes are part of the DVD Standard. However, region codes on DVD discs are optional. DVD discs with no specified region code can be played on all compliant players.



## INTERFACE



### 5) Audio Output

This connector outputs analog audio.

This connector is compatible with 'Molex 70553' choose a suitable connection cable.

Pin	Name	Function
1	L	(Left channel audio output
2	G	Ground
3	G	Ground
4	R	Right channel audio output

### 6) Device Configuration Jumper

(switch turns ON when a jumper is added)

Power OFF the drive before changing the jumper setting.

*Pin #1 is ON when shipped from the factory*

Pin	Name	Function
1	MA	ON   Drive set to Master mode
2	SL	ON   Drive set to Slave mode
3	CS	ON   Drive set to Cable-Select
4		Reserved
5		Reserved

### 7) Host IDE Interface

This is a 40-pin I/O connector in accordance with the ATA specifications.

### 8) DC Input

Pin	Name	Function
1	+12	Power Supply input for DC +12 V
2	G	Ground
3	G	Ground
4	+5	Power Supply input fo +5 V

## INSTALLATION

---

- 1) Turn OFF the computer's power and remove the power cord from the wall outlet before removing the front cover.
  - 2) Remove the blank panel from the front of the empty 5.25" bay slot.
  - 3) Install the slide rails on the drive if necessary.  
*(Please contact the store where the drive was purchase to obtain slide rails.)*
  - 4) Insert the drive into the slot.
  - 5) When anchoring is required, refer to the computer's instruction manual.
- Please use screws measuring 5mm (3/16") or less for mounting. Using longer screws may damage the drive.
  - When the mounting screws are loose, the vibrations from a spinning disc may generate a ripping noise. To prevent this noise, tighten the screws.

## LightScribe Direct Disc Labeling

---

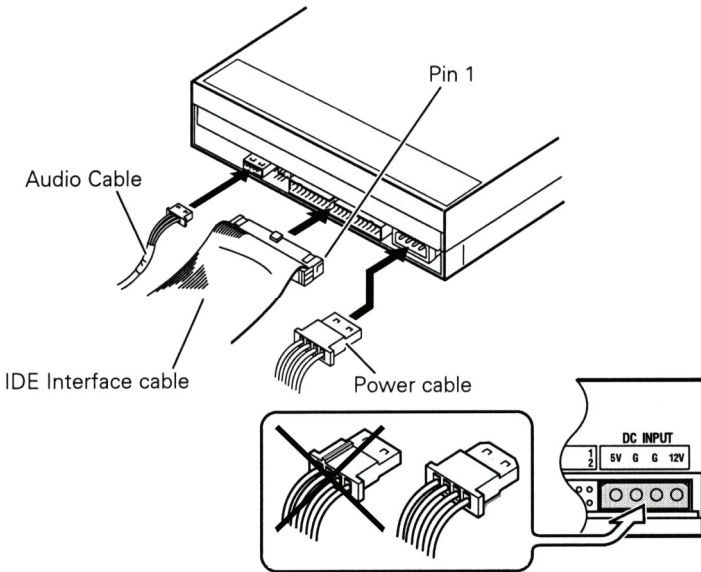
LightScribe Direct Disc Labeling technology allows the same laser that burns data to a disc, to produce a label that is burned directly on the media surface. This Pioneer DVD/CD Writer supports burning labels through a LightScribe software application on to media marked with the LightScribe logo. Only LightScribe-compatible media supports label burning on a disc.

- Look for the LightScribe logo on the packaging and/or the disc's lower edge.

To create a disc label, follow the steps below.

1. Design a label with the LightScribe software application.
2. Burn your data to the disc as usual.
3. Remove the disc from the drive.
4. Reinsert the disc upside down.
5. Follow the LightScribe application instructions to burn your label on the disc.

## CONNECTIONS



- Turn OFF the power to the computer.
- Connect the computer's power cable to the drive, checking the polarity of the cable.
- Connect the computer's IDE interface cable to the drive, confirming that cable's Pin #1 is matched to the drive's Pin #1.
- Connect an audio output cable to the drive if using a sound card.

The computer powers this product. Do NOT use a power supply other than the internal source provided by the PC.

*80-wire IDE cable is required for 16x (and above) DVD writing speed*

## SPECIFICATIONS

---

### [Position]

This unit may be installed vertically as well as horizontally.

### [Disc Size]

12 cm / 8 cm (Drive does not support non-standard shapes such as business cards, diamond, etc.)  
\* 8cm disc cannot be used vertically – adapters do not effect this limitation

### [Disc Transfer Rate]

Data Read (sustained)

DVD	Max. 21.6 MBytes/sec. (6.6x – 16x CAV Mode over 16 block transfer)
CD	Max. 6.00 MBytes/sec. (16.2x – 40x CAV Mode over 16 block transfer)

Data Write (sustained)

DVD	Max. 21.6 MBytes/sec. (Max 16x DVD-R)
CD	Max. 6.00 MBytes/sec. (Max. 40x CD-R)

Host Interface Specification

PIO Mode 4 / Multi-word DMA Mode 2	16.6 MBytes/sec.
Ultra DMA Mode2	33.3 MBytes/sec.
Ultra DMA Mode 4	66.6 MBytes/sec.

(U-ATA66 cable, 80 conductor)

\* 80-wire IDE cable is required for 16x DVD writing speed.

\* Media that is dirty or damaged can affect the transfer rate.

### [Access Time / Seek Time] (Random Averages)

Access Time	DVD-ROM 130 ms	CD-ROM 120 ms
Seek Time	DVD-ROM 120 ms	CD-ROM 110 ms

### [Audio Characteristics]

Line out 0.70 ± 0.15 Vms (at 10 Ω load)

### [Physical Information]

Dimensions (including front panel)	5.8" W x 1.7" H x 7.1" D	148 (W) x 42.3 (H) x 180 (D) mm
Power	DC +12 V, 1.5 A	DC +5 V, 1.6 A
Weight	2.2 pounds	1.0 Kg
Operating Temperature	+ 5° C a + 45° C	
Operating Humidity	5% al 85% (no condensation)	
Storage Temperature	– 40° C a + 60° C	
Storage Humidity	5% al 90% (no condensation)	

### [Accessories]

- Short-Circuit socket (jumper) ( x 1 )
- Mounting Screws ( x 4 )
- Operating Instructions ( x 1 )

Note: Specifications and designs are subject to possible modifications without notice, due to improvements.

*(this page intentionally left blank)*

Nous vous remercions pour cet achat d'un produit Pioneer.

Nous vous demandons de lire soigneusement ce mode d'emploi; vous serez ainsi a même de faire fonctionner l'appareil correctement. Après avoir bien lu le mode e

**AVERTISSEMENT:** Cet appareil n'est pas étanche. Pour éviter les risques d'incendie et de décharge électrique, ne placez près de lui un récipient rempli d'eau, tel qu'un vase ou un pot de fleurs, et ne l'exposez pas à des gouttes d'eau, des éclaboussures, de la pluie ou de l'humidité.

La production de bruits acoustiques est inférieure à 70dB. (ISO 779-DIN 45635)

### IMPORTANT



Ce symbole de l'éclair, place dans un triangle équilatéral, a pour but d'attirer l'attention de l'utilisateur sur la présence, à l'intérieur du coffret de l'appareil, de tensions dangereuses non isolées d'une grandeur suffisante pour représenter un risque d'électrocution pour les êtres humains.

### ATTENTION

**DANGER D'ELECTROCUTION  
NE PAS OUVRIR**

#### ATTENTION:

Pour éviter tout risque d'électrocution, ne pas enlever le couvercle (ni le panneau arrière). Aucune pièce réparable par l'utilisateur ne se trouve à l'intérieur. Confier tout entretien à un personnel qualifié uniquement.



Ce point d'exclamation, place dans un triangle équilatéral, a pour but d'attirer l'attention de l'utilisateur sur la présence, dans les documents qui accompagnent l'appareil, d'explications importantes du point de vue de l'exploitation ou de l'entretien.

### ATTENTION

Cet appareil est un produit laser de Classe 1, mai la diode laser qu'il renferme est supérieure à la Classe 1. Pour garantir une sécurité constante, ne retirez aucun des couvercles et n'essayez pas d'avoir accès à l'intérieur de l'appareil.

Confiez toute réparation à un personnel qualifié. L'étiquette suivante se trouve sur votre appareil. Emplacement : sur le dessus du couvercle.

**CLASS 1 LASER PRODUCT  
LASER KLASSE 1**

## INSTRUCTIONS DE SÉCURITÉ

Pour garantir votre sécurité personnelle et obtenir le maximum de votre lecteur, lire et suivre ces consignes de sécurité.

**ENVIRONNEMENT** – Ne pas utiliser cet appareil dans des endroits avec beaucoup de poussière, une température ou une humidité élevée. Utiliser l'appareil à un endroit où il n'est pas soumis à des vibrations ou des chocs.

**PUISSANCE** – Couper l'alimentation du système et des dispositifs joints avant l'installation.

**LIRE LES INSTRUCTIONS** – Lire toutes les instructions de sécurité et d'utilisation avant d'actionner le lecteur.

**CONSERVER LES INSTRUCTIONS** – Garder les instructions de sécurité et d'utilisation pour une future référence.

**SUIVRE LES INSTRUCTIONS** – Suivre toutes les instructions de fonctionnement et d'utilisation.

**ATTENTION AUX AVERTISSEMENTS** – Observer tous les avertissements.

**NETTOYAGE** – **NE PAS** utiliser de liquides, de détachants en aérosol ou de l'alcool. N'utiliser qu'un chiffon humide pour nettoyer les surfaces extérieures du boîtier.

**EAU ET HUMIDITE** – **NE PAS** utiliser ce produit à proximité d'eau.

**SOURCES D'ALIMENTATION** – Utiliser ce produit à avec le type d'alimentation indiqué sur l'étiquette de fabrication. En cas de doute à propos du type d'alimentation disponible, consulter un revendeur Pioneer agréé.

**SURCHARGE** – **NE PAS** surcharger les prises murales et les rallonges pour ne pas entraîner d'incendie ou de secousse électrique.

**PENETRATION D'OBJETS ET DE LIQUIDES** – Ne jamais enfoncer d'objet d'aucune sorte dans ce produit. Le contact avec des points de tension dangereux peut provoquer un court-circuit, entraînant un incendie ou une secousse électrique. Ne pas verser de liquide d'aucune sorte sur ce produit.

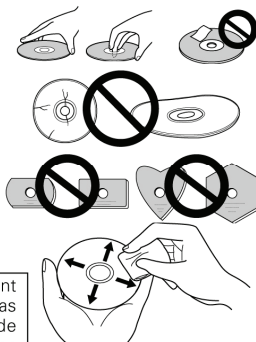
**CONDENSATION** – De l'humidité se forme sur la section de fonctionnement du produit entraînant une baisse de performances s'il est amené d'un endroit frais vers un environnement plus chaud. En cas de déplacement de l'appareil vers un endroit ayant une température plus chaude, laisser le produit pendant 1 à 2 heures dans le nouvel endroit avant de le remettre sous tension.

**ENTRETIEN** – Ne pas essayer de réparer soi-même ce produit. L'ouverture ou le retrait des capots peut vous exposer à une tension dangereuse ou d'autres dangers. Pour tout entretien, demander à un personnel d'entretien qualifié. (Se reporter à la carte d'entretien et de support jointe.)

**AU SUJET DE LA LECTURE DES DISQUES À DOUBLE COUCHE** – Un disque à double couche (DualDisc en anglais) est un tout disque deux faces. L'une de ces faces comprend le contenu DVD – vidéo, audio, etc. – et l'autre, le contenu non-DVD tel que le matériel audio numérique. La face audio non-DVD de ces disques n'est pas conforme aux spécifications CD audio, ce qui pourrait empêcher sa lecture. La face DVD des disques à double couche peut être jouée sur ce produit. Pour plus de détails sur la spécification des disque à double couche, veuillez communiquer avec le fabricant du disque ou votre détaillant.

- Evitez de toucher ou de griffer la surface du disque sur laquelle sont enregistrés les signaux (surface brillante).
- Saisissez le disque par les bords ou par le centre et un bord.
- Ne collez pas de papier ou d'étiquette sur le disque.
- Jetez les disques fissurés ou voilés, car ils peuvent endommager le lecteur.
- Evitez les disques de forme spéciale, notamment ceux en forme de coeur ou de polygone.
- Eliminez la poussière ou les peluches du disque à l'aide d'un linge doux en frottant de l'intérieur vers l'extérieur et non en effectuant un mouvement circulaire.
- N'utilisez jamais de produit de nettoyage pour disque ou d'agent antistatique, car ces solutions peuvent endommager le disque.

Rangez toujours vos disques dans les boîtes de rangement de DVD-R prévues à cet effet lorsque nous ne les utilisons pas et vérifiez s'ils ne sont pas couverts de saletés ou de poussières (surtout sur la face enregistrée) avant de les utiliser.



*Note: Il se peut que quelques disques ne jouent pas à cause des différents formats d'enregistrement ou de l'état physique du disque à l'heure de l'enregistrement ou de lecture.*

## CARACTÉRISTIQUES

- Vitesse écriture (\*CAV, \*\*ZCLV, \*\*\* Ces spécifications décrivent la vitesse maximum dans une zone.)

DVD-R	1x, 2x, 6x, 8x**, 12x**, 16x**, 18x**, 20x**
DVD-R (DL)	2x, 4x, 6x, 8x***
DVD-RW	1x, 2x, 4x, 6x
DVD+R	2.4x, 4x, 6x, 8x**, 12x**, 16x**, 18x**, 19.6x**
DVD+R (DL)	2.4x, 4x, 6x, 8x***
DVD+RW	2.4x, 3.3x, 4x, 6x, 8x**
DVD-RAM	2x, 3x, 5x, 6x, 8x, 12x
CD-R	4x, 10x, 16x, 24x**, 32x**, 40x**
CD-RW	4x, 10x, 16x, 20x**, 24x**, 32x**
  
- Vitesse de lecture maximale

DVD-ROM (single)	16x	DVD-ROM (DL)	8x
DVD-R, DVD+R	12x	DVD-R (DL)	8x
DVD-RW, DVD+RW	8x	DVD+R (DL)	8x
CD-ROM, CD-R	40x	CD-RW	32x
DVD-RAM	12x**		
- DualDisc  
(veuillez vous reporter à la page précédente du document)
  
- Mode de transfert de données IDE PIO modo 4 – DMA multi-mot mode Mode 2 – Ultra DMA Mode 4
- Taille de la mémoire tampon 2 MBytes (Écriture, Lecture)
- Type integer 5.25 pouces demi-hauteur
- Sortie audio stéréo
- Sevomécanisme de bascule d'écran a cristaux liquides
- Horizontale / Verticale au choix
- Mécanisme a faible vibration par système DRA
- LightScribe pour marquer des disques (avec le logiciel et les médias applicables de LightScribe)
- Format du Disque (Lecture / Écriture)
  - DVD simple couche / double couche / disque de 120 mm / disque de 80 mm
  - DVD-R (En cas écriture, disque 650nm pour usage général seul)
  - DVD-R (4x, 8x, 16x, 20x vitesse écriture)
  - Couche Duelle DVD-R et Double Couche DVD+R
  - DVD-RW (1x, 2x, 4x, 6x vitesse écriture)
  - DVD+R (2.4x, 4x, 8x, 16x, 18x, 19.6x vitesse écriture)
  - DVD+RW (2.4x, 4x, 8x vitesse écriture)
  - DVD-RAM (non-arrondi, Version 2.0, Version 2.1) (Lecture seul) (2x, 3x, 5x, 6x, 8x, 12x vitesse écriture)
  - LightScribe DVD et CD (12cm, Ver 1.0 et 1.2)
  - CD-ROM Mode 1
  - CD-R XA Mode 2 (forme 1, forme 2)
  - Photo CD (simple et plusieurs sessions)
  - CD-DA
  - CD-Extra (CD PLUS)
  - Video-CD
  - CD Text
  - CD-R
  - CD-RW / Haute Vitesse CD-RW / Ultra Rapide CD-RW

### Note:

- Un programme d'application prenant en charge le format ci-dessus est nécessaire pour écriture
- Médias supportent requis pour la vitesse écriture DVD et CD spécifiques.
- Pour effectuer une écriture sur DVD aux vitesses 12x ou 16x, utilisez des disques désignés par Pioneer. Pour plus de détails, consultez les informations disponibles sur le site web de Pioneer [www.pioneerelectronics.com](http://www.pioneerelectronics.com)
- Pour employer LightScribe, a LightScribe le programme de dessin de logiciel et les médias applicables sont nécessaires.
- En créant a LightScribe image d'étiquette de disque, graver à l'eau-forte d'un deuxième schéma sur le premier schéma affecte la qualité finale d'étiquette.





### 1) Tiroir du Disque

Ouvrir le tiroir de chargement en appuyant sur la touche d'éjection, puis placez un CD ou un DVD dans l'emplacement prévu avec l'étiquette tournée vers le haut. Appuyer sur la touche d'éjection ou sur la partie avant du plateau du tiroir pour charger le disque.

**N'essayez pas de retirer de force le plateau du disque.**

### 2) Voyant BUSY (occupé)

L'état de fonctionnement est signalé comme suit:

Pendant la lecture S'allume

Pendant l'écriture S'allume

### 3) Orifice d'éjection forcée

Insérer une tige rigide dans l'orifice et pousser pour éjecter le tiroir lorsque celui-ci ne s'ouvre pas lors d'un appui sur la touche d'éjection.

En fonctionnement, utiliser uniquement la touche d'éjection pour ouvrir le tiroir. Veiller à ce que l'alimentation du lecteur soit coupée et attendre l'arrêt de la rotation du disque pendant plus d'une minute avant de tenter d'éjecter le tiroir au moyen de l'orifice d'éjection.

### 4) Touche d'Éjection

Pour décharger / charger le disque, appuyer sur la touche.

---

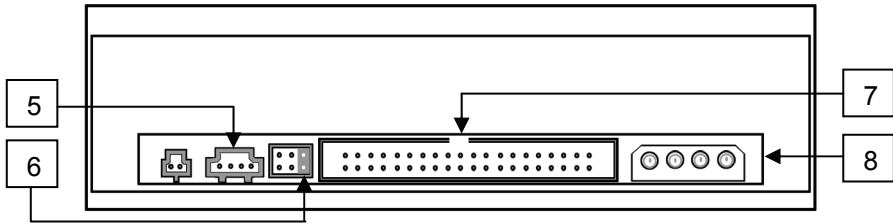
## Précautions à prendre lors de la lecture de disques de 8 cm

Les disques de 8 cm ne peuvent pas être lus par le lecteur même en utilisant un adaptateur intermédiaire au disque lorsque le lecteur est placé en position verticale.

## A PROPOS DES CODES REGIONAUX

Le code régional peut être modifié 5 fois SEULEMENT (premier réglage compris). Comme la cinquième modification sera DEFINITIVE, soyez particulièrement prudent lorsque vous décidez de modifier les codes régionaux.

- Les codes régionaux sont couverts par la norme DVD. Toutefois, les codes régionaux des disques DVD sont facultatifs. Les disques DVD qui ne possèdent pas de code régional peuvent être reproduits sur tous les lecteurs.



### 5) Sortie Audio

Connecteur pour sortie analogique audio.

Ce connecteur est compatible avec la norme 'Molex 70553'. Choisir un câble de connexion approprié.

Broche	Nom	Fonction
1	L	Sortie audio voie de droite (Left)
2	G	Terre
3	G	Terre
4	R	Sortie audio voie de gauche (Right)

### 6) Cavalier de Configuration

ON signifie que le cavalier réunit les deux broches de cette position.

Veiller à ce que l'alimentation du lecteur soit coupée avant de changer la configuration du cavalier. La broche n'est configurée sur ON en usine.

Broche	Nom	Fonction
1	MA	ON   Le lecteur est utilisé en mode maître (Master)
2	SL	ON   Le lecteur est utilisé en mode esclave (Slave)
3	CS	ON   Utilisation de la fonction de sélection par câble (Cable Select)
4		Réservé
5		Réservé

### 7) Interface IDE avec l'hôte

Connecteur d'E/S 40 broches conforme aux spécifications ATA.

### 8) Entrée cc {DC}

Broche	Nom	Fonction
1	+12	Entrée cc +12 V
2	G	Terre
3	G	Terre
4	+5	Entrée cc +5 V

## INSTALLATION

---

- 1) Couper l'alimentation de l'ordinateur personnel, débrancher le cordon d'alimentation et déposer le capot ou le panneau avant.
- 2) Retirer la plaque masquant de la fente de 5.25 pouces.
- 3) Poser les glissières de fixation sur le lecteur.  
*(S'adresser au magasin ou au fabricant de l'ordinateur lorsque des glissières sont nécessaires.)*
- 4) Introduire le lecteur dans la fente.
- 5) Lorsqu'il est nécessaire de fixer le lecteur, se reporter au manuel d'instruction de l'ordinateur.
  - Utiliser des vis ayant une longueur inférieure ou égale à 5 mm. L'utilisation de vis plus longues pourrait endommager le lecteur.
  - Lorsque les vis de fixation ne sont pas suffisamment serrées, etc. les vibrations provoquées par la rotation du disque peuvent générer un bruit de déchirure et il faut donc serrer les vis solidement pour éliminer ce bruit.

## Marquer Direct De Disque De LightScribe

---

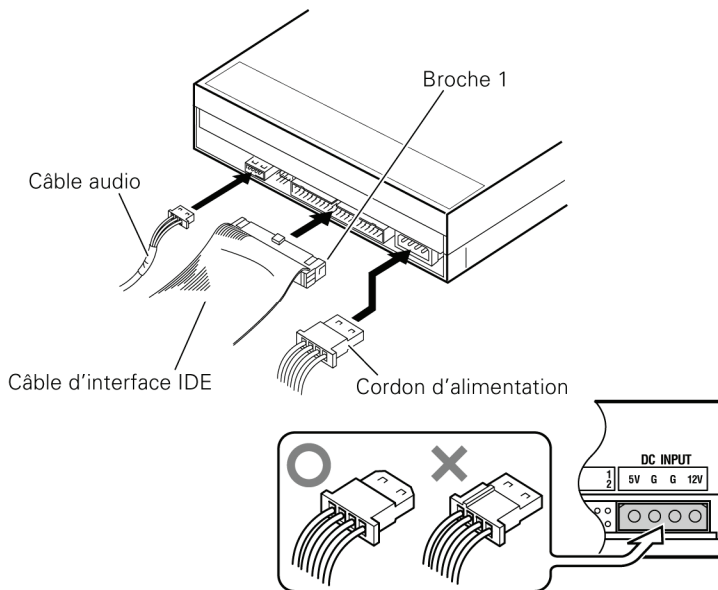
La technologie d'étiquetage direct LightScribe permet au même laser qui grave les données sur le disque de graver une étiquette personnalisée directement sur la surface du média. Ce graveur de DVD / CD Pioneer peut graver des étiquettes par le biais d'une application logicielle LightScribe sur des médias portant le logo LightScribe. Seuls les médias à compatibilité LightScribe permettent un tel étiquetage direct.

*Nota : Recherchez le logo LightScribe sur l'emballage et(ou) la partie inférieure du disque.*

Pour créer une étiquette de disque, suivez les directives suivantes.

- 1) Créez une étiquette au moyen de l'application logicielle LightScribe.
- 2) Gravez vos données sur un disque comme vous le faites d'habitude.
- 3) Retirez le disque du graveur.
- 4) Réinsérez le disque dans le graveur, mais à l'envers.
- 5) Suivez les directives de l'application LightScribe pour graver votre étiquette sur le disque.

## RACCORDEMENT



- Mettre l'ordinateur personnel hors tension.
- Connecter le cordon d'alimentation de l'ordinateur personnel. Respecter la polarité du cordon lors du raccordement.
- Connecter le câble d'interface IDE. Confirmer que la broche 1 du connecteur IDE du lecteur est bien connectée à la broche 1 du câble
- En cas d'utilisation d'une carte de sons, connecter la sortie audio à la carte de son à l'aide d'un câble audio.

N'oubliez pas que l'alimentation de cet appareil doit être fournie par l'ordinateur auquel il est relié. N'utilisez aucune autre alimentation que celle de l'ordinateur personnel.

Le câble de 80 fils IDE est exigé pour la vitesse d'écriture de 16x DVD.

## FICHE TECHNIQUE

---

### [Position]

Ce lecteur doit être utilisé en position horizontale et verticale.

### [Taille du Disque]

12 cm / 8 cm (*Les disques de 8 cm ne peuvent pas être utilisés en position verticale.*)

### [Vitesse de Transfert des Données]

Lecture de données (soutenu)

DVD Max. 21.6 Mo/s (Mode de vitesse angulaire constante 6.6 à 40x sur 16 transferts de blocs)

CD Max. 6.00 Mo/s (Mode de vitesse angulaire constante 17.2 à 40x sur 16 transferts de blocs)

Écriture de données (soutenu)

DVD Moy. 21.6 Mo/s (Écriture 16x sur DVD-R)

CD Moy. 6.00 Mo/s (Écriture 40x sur CD-R)

Spécification d'interface de l'hôte

PIO modo 4 / DMA Mode 2 multi-mot à 16.6 Mo/s

Ultra DMA Mode 2 à 33.3 Mo/s

Ultra DMA Mode 4 à 66.6 Mo/s

\* Le câble de 80 fils IDE est exigé pour la vitesse d'écriture de 16X DVD.

\* La vitesse de transfert des données peut varier en fonction de l'état du disque (rayures, etc.)

### [Temps d'accès é temps de recherche]

Temps d'accès (Moyenne aléatoire)	DVD-ROM 130 ms	CD-ROM 120 ms
Temps de recherche (Moyenne aléatoire)	DVD-ROM 120 ms	CD-ROM 110 ms

### [Caractéristiques Audio]

Sortie ligne 0.70 ± 0.15 V<sub>eff</sub>. (charge de 10 Ω)

### [Autres]

Dimensions externes (façade comprise) 5.8" W x 1.7" D x 7.1" L 148 (L) x 42.3 (H) x 180 (P) mm

Alimentation +12 V CC, 1.5 A +5 V CC, 1.6 A

Poids 1.0 Kg

Température de fonctionnement + 5° C à + 45° C

Humidité de fonctionnement 5% à 85% (sans condensation)

Température de remisage - 40° C à + 60° C

Humidité de remisage 5% à 90% (sans condensation)

### [Accessoires]

- Cavalier ( x 1 )
- Vis de fixation ( x 4 )
- Mode d'emploi ( x 1 )

*Note: Les caractéristiques techniques et présentation de ce produit sont sujets à des changements sans préavis pour améliorations.*

*(this page intentionally left blank)*

Enhorabuena por la adquisición de este producto Pioneer.  
Lea completamente este manual de instrucciones para aprender a operar correctamente el aparato. Después de haber terminado la lectura de las instrucciones, guarde el manual en un lugar seguro para poderlo consultar en el futuro.

**ADVERTENCIA:** EL APARATO NO ES IMPERMEABLE. NO PONER ALGUNA FUENTE DE AGUA CERCA DEL APARATO, COMO VASO DE FLORES, RECIPIENTES COSMÉTICOS Y MEDICINALES, ETC.

La generación de ruido acústico es de menos de 70dB.  
(ISO 779-DIN 45635)

### IMPORTANTE



El triángulo equilátero con el símbolo de un relámpago en su interior tiene por objeto alertar al usuario de la presencia de "voltaje peligroso" sin aislar en el interior del producto, el cual podría alcanzarla suficiente magnitud como para constituir un riesgo de descarga eléctrica para las personas.

### CAUTION

**RISK OF ELECTRIC SHOCK Do Not Open**

### PRECAUCIÓN

Para evitar el riesgo de descarga eléctrica, no retirar la tapa (ni la cubierta posterior). El interior no contiene piezas utilizables por el usuario. Toda Reparación deberá ser efectuada por personal técnico cualificado.



El triángulo equilátero con un signo de admiración en su interior tiene por objeto alertar al usuario de la existencia de importantes instrucciones de funcionamiento y mantenimiento (asistencia) en el manual que acompaña al aparato.

### PRECAUCIÓN

Este aparato contiene un diodo láser de clase superior a 1, Para mantener la seguridad apropiada, no seque ninguna cubierta ni intente acceder al interior del aparato. Lleve siempre el aparato a un centro con personal de servicio técnico cualificado.

La siguiente etiqueta de precaución se encuentra en su aparato.  
Situación: En la parte superior de la cubierta.

**CLASS 1 LASER PRODUCT  
LASER KLASSE 1**

Para equipos enchufables, la toma de corriente deberá instalarse cerca del equipo y deberá ofrecer un fácil acceso.

## INSTRUCCIONES DE SEGURIDAD

Para garantizar su seguridad personal y aprovechar todo el potencial de su unidad, lea y respete estas precauciones de seguridad:

**AMBIENTE** – No emplee la unidad en lugares con mucho polvo, altas temperaturas, o alta humedad. Emplee la unidad en un lugar en el que no quede sometida a vibraciones ni golpes.

**ALIMENTACIÓN** – Desconecte la alimentación del sistema y la de los dispositivos conectados antes de realizar la instalación.

**LEA LAS INSTRUCCIONES** – Guarde las instrucciones de seguridad y de operación ante de poner la unidad en funcionamiento.

**GUARDE LAS INSTRUCCIONES** – Guarde las instrucciones de seguridad y de operación para poderlas consultar en el futuro.

**SIGA LAS INSTRUCCIONES** – Siga todas las instrucciones de operación y de utilización.

**RESPETE LAS ADVERTENCIAS** – Deberán respetarse todas las advertencias.

**LIMPIEZA** – **NO** emplee limpiadores líquidos o de aerosol, ni alcohol. Emplee solo un paño húmedo para limpiar el exterior.

**AGUA Y HUMEDAD** – **NO** emplee este producto cerca del agua.

**FUENTES DE ALIMENTACIÓN** – Haga funcionar este producto con el tipo de alimentación indicada en la etiqueta de características. Si no esta seguro del tipo de alimentación disponible, consulte a un distribuidor Pioneer autorizado.

**SOBRECARGA** – **NO** sobrecargue las tomas de corriente ni los cables de extensión. De lo contrario podría producirse un incendio o descargas eléctricas.

**ENTRADA DE OBJETOS Y LIQUIDOS** – No introduzca nunca ningún tipo de objeto en este aparato. Si se tocan puntos con tensión peligrosos puede producirse un incendio o descargas eléctricas. No derrame ningún tipo de líquido sobre el aparato.

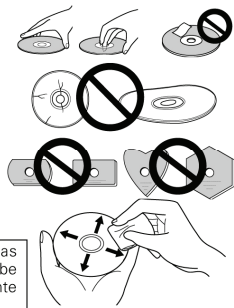
**CONDENSACIÓN** – Si se lleva el aparato desde un lugar fresco a otro caliente, puede formarse humedad en la sección de funcionamiento del producto, degradando su rendimiento. Si desplaza el aparato a un lugar con temperaturas mas altas, déjelo de 1 a 2 horas en el nuevo lugar antes de ponerlo en funcionamiento.

**SERVICIO** – No intente reparar usted mismo el aparato. La abertura o extracción de las cubiertas podrían exponerle a tensiones peligrosas u otros peligros. Solicite todo el servicio técnico a personal de servicio cualificado. (Consulte la tarjeta adjunta de servicio y de soporte.)

**SOBRE REPLICACIÓN DE LECTURA DE DualDisc** – Un DualDisc es un disco con dos aspectos nuevos, con un lado que contiene información en formato DVD (video/audio/etc) y el contenido lateral opuesto del disco que contiene material audio digital. El lado del disco que contiene audio digital no adrede a la especificación audio digital del CD, por lo tanto el c contenido no puede ser replicado. El lado de DVD de los medios de DualDisc en este producto si puede ser replicado. Para más detalles sobre la especificación de DualDisc, por favor refieran al fabricante del disco o a su minorista.

- No toque ni raye la superficie de señal (lado brillante) del disco.
- Tome el disco por los bordes o por el centro y un borde.
- No enganche papeles ni etiquetas en el disco.
- Tire los discos que estén deformados o agrietados porque pueden causar daños en la unidad.
- Evite la utilización de discos con formas irregulares, especialmente con formas de corazón o de polígonos.
- Extraiga el polvo y la suciedad del disco con un paño suave, frotando desde el interior al borde exterior en lugar de hacerlo en sentido circular.
- No emplee agentes de limpieza de discos ni antiestáticos porque estas soluciones pueden ocasionar daños en los discos.

Asegúrese de guardar siempre los discos en las cajas apropiadas de DVD-R cuando no los utilice, y compruebe siempre si hay polvo o suciedad en los discos (especialmente en el lado de grabación) antes de utilizarlos.



*Nota: Algunos discos no pueden ser replicados, esto puede ser por diferentes formatos de grabación o condición física del disco al tiempo de grabación o replicación.*



## CARACTERISTICAS

- Velocidad de Escritura (\*CAV, \*\*ZCLV, \*\*\* Esta especificación describe la velocidad máxima en una zona.)

DVD-R	1x, 2x, 6x, 8x**, 12x**, 16x*, 18x**, 20x**
DVD-R (DL)	2x, 4x, 6x, 8x***
DVD-RW	1x, 2x, 4x, 6x
DVD+R	2.4x, 4x, 6x, 8x**, 12x**, 16x*, 18x**, 19.6x**
DVD+R (DL)	2.4x, 4x, 6x, 8x***
DVD+RW	2.4x, 3.3x, 4x, 6x, 8x**
DVD-RAM	2x, 3x, 5x, 6x, 8x, 12x
CD-R	4x, 10x, 16x, 24x**, 32x**, 40x**
CD-RW	4x, 10x, 16x, 20x**, 24x**, 32x**

- Capacidad Máxima de Lectura

DVD-ROM (single)	16x	DVD-ROM (DL)	8x
DVD-R, DVD+R	12x	DVD-R (DL)	8x
DVD-RW, DVD+RW	8x	DVD+R (DL)	8x
CD-ROM, CD-R	40x	CD-RW	32x
DVD-RAM	12x**		
DualDisc	<i>(por favor refiera a la pagina anterior de este documento)</i>		

- Modo de transferencia de datos IDE PIO modo 4 – DMA multipalabras modo 2 – erti DMA modo 4
- Tamaño de la memoria intermedia 2 Mbytes (Escritura-Lectura)
- Tipo incorporado de altura media de 5.25 pulgadas
- Salida de audio estereo
- Servomecanismo de erti cal I de la pantalla LCD
- erti cal I erti cal I / erti cal ajustable
- Mecanismo de bajas vibraciones mediante el sistema DRA
- LightScribe a los discos de la marca (con programa del software y los médicos aplicables de LightScribe)
- Formato de discos (Lectura / Escritura)
  - DVD de un estrato / estrato doble / disco de 120 mm / disco de 80 mm
  - DVD-R (en caso de escritura, solo disco de 650 nm para General)
  - DVD-R (4x, 8x, 16x, 18x, 20x Velocidad de Escritura)
  - Capa Dual DVD-R y Capa Doble DVD+R
  - DVD-RW (1x, 2x, 4x, 6x Velocidad de Escritura)
  - DVD+R (2.4x, 4x, 8x, 16x, 18x, 19.6x Velocidad de Escritura)
  - DVD+RW (2.4x, 4x, 8x Velocidad de Escritura)
  - DVD-RAM (non-cartridge, Version 2.0, Version 2.1) (Lectura solamente)
  - LightScribe DVD y CD (12cm, Ver 1.0 y 1.2)
  - CD-ROM modo 1
  - CD-R XA modo 2 (forma 1, forma 2)
  - CD con fotos (sesión sencilla y múltiple)
  - CD-DA
  - CD-Extra (CD PLUS)
  - Video-CD
  - CD Text
  - CD-R
  - CD-RW / CD-RW de alta velocidad / Ultra Velocidad CD-RW

### Nota:

- Para escritura, se requiere un programa de aplicación específico que soporta el formato de arriba.
- Medios Compatibles necesarios para ciertas velocidades de escritura en discos DVD y CD.
- Para poder efectuar la escritura en un DVD a las velocidades de 12x o de 16x, será necesario utilizar un disco designado por Pioneer. Para encontrar mas detalles al respecto, consulte la información disponible en el sitio de Pioneer en la Web:  
[www.pioneerelectronics.com](http://www.pioneerelectronics.com)
- Para utilizar LightScribe, a LightScribe el programa de dibujo del software y los medios aplicables son necesarios.
- Al crear a LightScribe imagen de la etiqueta del disco, grabar al agua fuerte un segundo dibujo encima del primer dibujo afecta la calidad final de la etiqueta.



- 1) **Botón de Expulsión**  
Para extraer / insertar el disco, presione el botón.
- 2) **Indicador de Ocupado (BUSY)**  
El estado de operación se indica de la forma siguiente  
Durante la lectura se enciende  
Durante la escritura se enciende
- 3) **Orificio de Expulsión Forzada**  
Inserte una varilla rígida en el orificio y empújela para abrir la bandeja cuando no se abra la bandeja al presionar el botón de expulsión.  
Durante la operación normal, debe utilizarse el botón de expulsión para abrir la bandeja.  
Antes de introducir la varilla en el orificio de expulsión, asegúrese de que la alimentación de la unidad este desconectada y espere mas de un minuto hasta que el disco haya dejado de girar.
- 4) **Bandeja del Disco**  
Abra la bandeja del disco presionando el botón de expulsión, y ponga un disco CD o DVD en la ranura con la etiqueta arriba. Presione el botón de expulsión o empuje la parte frontal de la bandeja para introducir la bandeja con el disco.  
**No intente sacar a la fuerza la bandeja del disco.**

---

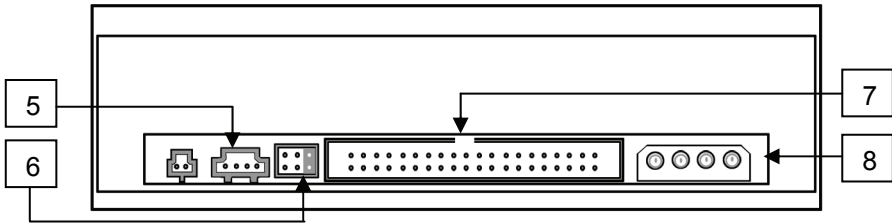
### Precauciones para la reproducción de discos de 8cm

Los discos de 8 cm no pueden reproducirse cuando la unidad se ha instalado verticalmente, aunque se coloque un adaptador en el disco.

### OBSERVACIÓN SOBRE LOS CODIGOS DE REGION

Los códigos de región SOLO pueden cambiarse 5 veces, incluyendo el primer ajuste. Tenga presente que el quinto cambio será el que quedara PERMANENTEMENTE, por lo que deberá tener cuidado cuando cambie los códigos de región.

- Los códigos de región forman parte de la Norma DVD. Sin embargo, los códigos de región de los discos DVD son opcionales. Los discos DVD que no tienen especificado ningún código de región pueden reproducirse en todos los reproductores.



**5) Salida de Audio**

Es un conector para salida de audio analógico. Este conector es compatible con 'Molex 70553' ' seleccione un cable de conexión adecuado.

Contacto	Nombre	Función
1	L	Salida de audio del canal izquierdo
2	G	Masa
3	G	Masa
4	R	Salida de audio del canal derecho

**6) Puenteador de Configuración del Dispositivo**

Cuando se puentean los contactos, el estado del interruptor es ON. Antes de cambiar la posición del puenteador, asegurese de que la alimentación de la unidad este desconectada.

Contacto	Nombre	Función
1	MA	ON se usa como unidad principal
2	SL	ON se usa como unidad secundaria
3	CS	ON se usa la función de selección de cable
4		Reserve
5		Reserve

**7) Interfaz IDE Principal**

Es un conector de entrada / salida de 40 contactos que conforma las especificaciones ATA.

**8) Entrada de CC {DC}**

Contacto	Nombre	Función
1	+12	Entrada de alimentación para +12 V CC
2	G	Masa
3	G	Masa
4	+5	Entrada de alimentación para +5 V CC

## INSTALACIÓN

---

- 6) Desconecte la alimentación del ordenador personal, desenchufe el cable de la alimentación de la toma de CA y extraiga la cubierta o el panel frontal.
- 7) Extraiga el panel de protección instalado delante de la ranura de 5,25 pulgadas.
- 8) Instale los rieles de deslizamiento de fijación en la unidad.  
*(Cuando sean necesarios los rieles de deslizamiento, póngase en contacto con la tienda o el fabricante del ordenador.)*
- 9) Inserte la unidad en la ranura.
- 10) Cuando se requiera la fijación, consulte el manual de instrucciones del ordenador.
  - Emplee unos tornillos con una longitud de 5 mm o para efectuar el montaje. El empleo de tornillos más largos podría causar daños en la unidad.
  - Cuando los tornillos de montaje están flojos, etc., las vibraciones de la rotación del disco pueden generar ruido de ondulación, y para evitarlo, los tornillos deberán estar apretados con seguridad.

## Etiquetado Directo Del Disco De LightScribe

---

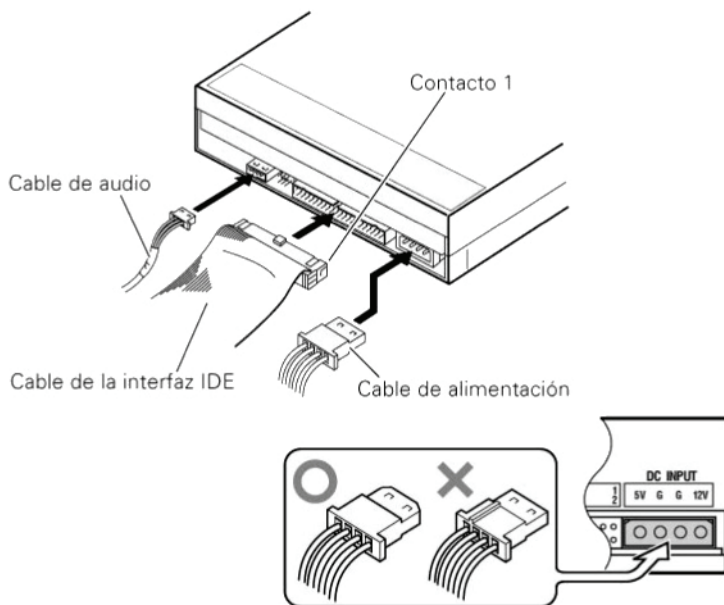
La Tecnología de "LightScribe Direct Disc Labeling" permite que el mismo Láser que quema datos al disco también queme la etiqueta directamente a la superficie del disco. Este quemador de Pioneer apoya la tecnología de quemar etiquetas por medio de un programa de LightScribe a discos marcados con el logo de LightScribe. Solamente discos que sean compatibles con LightScribe pueden ser etiquetados.

*Nota: Busque el logo LightScribe en la paquetería o en la parte baja del disco.*

Para crear una etiqueta, siga las siguientes indicaciones:

- 1) Diseñe una etiqueta con el programa de LightScribe.
- 2) Queme sus datos al disco como siempre.
- 3) Quite el disco del quemador. Meta el disco de nuevo al quemador boca bajo.
- 4) Siga las indicaciones del programa LightScribe para quemar la etiqueta al disco.

## CONEXIONES



- Desconecte la alimentación del ordenador personal.
- Conecte cable de alimentación desde el ordenador personal. Cuando efectuó la conexión, preste atención a la polaridad del cable.
- Conecte el cable de interfaz IDE. Entonces, confirme que el contacto 1 del conector IDE de la unidad este correctamente conectado al contacto 1 del cable.
- Cuando se emplee una tarjeta de sonido, conecte la salida de audio a la tarjeta de sonido con un cable de audio.

Asegúrese de suministrar la alimentación eléctrica para este producto desde el ordenador personal que se haya conectado. No emplee ninguna otra fuente de alimentación que no sea la interna del ordenador personal.

Un cable IDE de 80 pines es requerido para obtener velocidad 16x de grabación con DVD.

## ESPECIFICACIONES

---

### [Ajuste]

Esta unidad es para su utilización horizontal y vertical.

### [Tamaño de los discos]

12 cm / 8 cm (Los discos de 8 cm no pueden utilizarse en la posición vertical.)

### [Velocidad de transferencia de datos]

Lectura de datos (sostenida)

DVD	Max. 21.6 Mbytes / seg.
CD	Max. 6.00 Mbytes / seg.
	(17.2 – Modo CAV 40x con transferencia de 16 bloques)

Escritura de datos (sostenida)

DVD	Promedio de 21.6 Mbytes / seg. (DVD-R 16x)
CD	Promedio de 6.00 Mbytes / seg. (CD-R 40x)

Especificación de la interfaz principal

PIO modo 4 / DMA multipalabras modo 2	16.6 Mbytes-seg.
Ultra DMA modo 2	33.3 Mbytes-seg.
Ultra DMA modo 4	66.6 Mbytes-seg.

\* Un cable IDE de 80 pins es requirido para obtener velocidad 16x de grabación con DVD.

\* Es posible que no salga la transferencia de datos debido al estado del disco (rayadas, etc.)

### [Tiempo de acceso / búsqueda]

Tiempo de acceso (promedio aleatorio)	DVD-ROM 130 ms	CD-ROM 120 ms
Tiempo de búsqueda (promedio aleatorio)	DVD-ROM 120 ms	CD-ROM 110 ms

### [Características de audio]

Salida de línea 0.70 ± 0.15 V ms (a carga de 10 Ω)

### [Otros]

Dimensiones (incluyendo el panel frontal)	5.8" W x 1.7" D x 7.1" L	148 (An) x 42.3 (Al) x 180 (Prf) mm
Alimentación	+12 V CC, 1.5 A	+5 V CC, 1.6 A
Peso	1.0 Kg	
Temperatura de funcionamiento	+ 5° C a + 45° C	
Humedad de funcionamiento	5% al 85% (sin condensación)	
Temperatura de almacenaje	- 40° C a + 60° C	
Humedad de almacenaje	5% al 90% (sin condensación)	

### [Accesorios]

- Puente cortocircuitado ( x 1 )
- Tornillo de montaje ( x 4 )
- Manual de instrucciones ( x 1 )

*Nota: Especificaciones y diseño sujetos a posibles modificaciones sin previo aviso por razones de mejora del producto.*

*(this page intentionally left blank)*

## **AFTER SALES SERVICE FOR PIONEER PRODUCTS**

Please contact the dealer or distributor where you purchased this product for its after-sale service (including warranty conditions) or any other information. In case the necessary information is not available, please contact the Pioneer's subsidiaries (regional service headquarters) listed below.

### **PLEASE DO NOT SHIP YOUR PRODUCT TO THE COMPANIES**

at the addresses listed below for repair without advance contact as these locations are not repair facilities.

#### **UNITED STATES**

PIONEER ELECTRONICS (USA) INC.  
Customer Support Division  
P.O. Box 1760  
Long Beach, CA 90801-1760  
United States of America

#### **CANADA**

PIONEER ELECTRONICS OF CANADA, INC.  
Customer Support  
300 Allstate Parkway  
Markham, Ontario  
L 3 R – 0 P 2 Canada

® **PIONEER CORPORATION**

Published by Pioneer Corporation  
All Rights Reserved  
Copyright © 2007 Pioneer Corporation

---

PIONEER CORPORATION 4-1, Meguro, 1-Chrome, Meguro-ku, Tokyo 153-8654, Japan

Pioneer Electronics (USA) Inc.

Industrial Solutions Business Division  
2265 E. 220<sup>th</sup> Street, Long Beach, CA 90810 USA

Customer Support Division  
1925 East Dominquez Street, Log Beach, CA 90810 USA

**[www.pioneerelectronics.com/DVR1910LSupport/](http://www.pioneerelectronics.com/DVR1910LSupport/)**

Pioneer Electronics of Canada, Inc.

Industrial Products Division  
300 Allstate Parkway, Markham, Ontario, L3R-0P2 Canada

**[www.pioneerelectronics.com/DVR1910LSupport/](http://www.pioneerelectronics.com/DVR1910LSupport/)**

**For software related issues, please contact:**

### **NERO**

[www.nero.com](http://www.nero.com)

email support: [techsupport@nero.com](mailto:techsupport@nero.com)

Tel: 888/309-4212 (toll call)

FAQs: [http://www.nero.com/nero6/enu/tech\\_support.html](http://www.nero.com/nero6/enu/tech_support.html)



## Free Manuals Download Website

<http://myh66.com>

<http://usermanuals.us>

<http://www.somanuals.com>

<http://www.4manuals.cc>

<http://www.manual-lib.com>

<http://www.404manual.com>

<http://www.luxmanual.com>

<http://aubethermostatmanual.com>

Golf course search by state

<http://golfingnear.com>

Email search by domain

<http://emailbydomain.com>

Auto manuals search

<http://auto.somanuals.com>

TV manuals search

<http://tv.somanuals.com>