

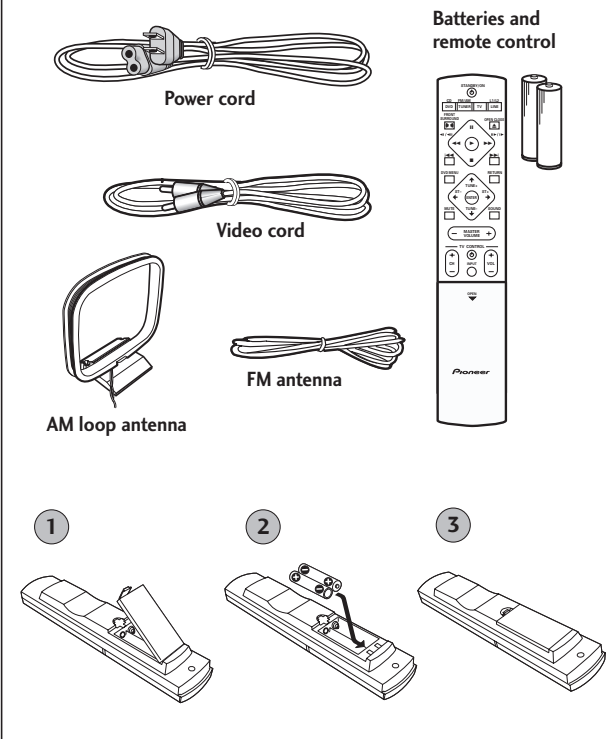
Setting up your DVD/CD Receiver



Caution

When connecting this system or changing connections, be sure to switch the power off with the **STANDBY/ON** button, and disconnect the power cord from the AC outlet. Do not use these speakers with any other system or amplifier as this may result in damage or fire.

1 Check that you have all the accessories, then put the batteries in the remote control.

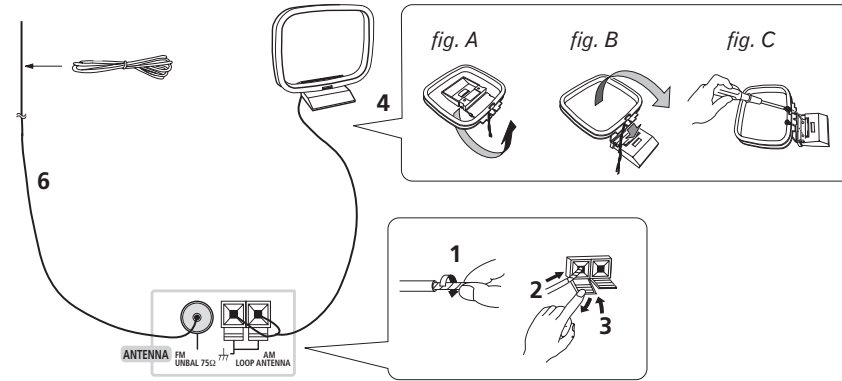


2 Connect the AM and FM antennas to the rear panel of the DVD/CD receiver.

- 1 Pull off the protective shields of both AM antenna wires.
- 2 Push open the tabs, then insert one wire fully into each terminal.
- 3 Release the tabs to secure the AM antenna wires.

- 4 Fix the AM loop antenna to the attached stand. To fix the stand to the antenna, bend in the direction indicated by the arrow (fig. A) then clip the loop onto the stand (fig. B).
- Note:** If you plan to mount the AM antenna to a wall or other surface, secure the stand with screws (fig. C) before clipping the loop to the stand. Make sure the reception is clear.

- 5 Place the AM antenna on a flat surface and point in the direction giving the best reception. Don't let it come into contact with metal objects and avoid placing near computers, television sets or other electrical appliances.



- 6 Connect the FM wire antenna to the FM UNBAL 75Ω antenna terminal. For best results, extend the FM antenna fully and fix to a wall or door frame. Don't drape loosely or leave coiled up.

Note: The signal earth (⌚) is designed to reduce noise that occurs when an antenna is connected. It is not an electrical safety earth.

Using the remote control

The remote control can be used within a range of about 7 meters from the remote sensor on the front panel, and within a 30 degree angle.

Precautions:

- The remote control may not work if there is an obstacle between the remote control and the display unit, or if the remote control is not directed towards the remote sensor of the display unit at the correct angle.
- The remote control may not work properly if strong light such as direct sunlight or fluorescent light is shining onto the unit's remote sensor.
- The remote control may not work properly when this unit is used near devices emitting infrared rays, or when remote controls of other devices which use infrared rays are used. Also, the use of this remote control may cause other devices to work improperly.
- When the operating range of the remote becomes too short, replace the batteries.

Remote control battery caution

Incorrect use of batteries may cause leakage or rupture.

Always be sure to follow these guidelines:

- Always insert batteries into the battery compartment correctly matching the positive (+) and negative (-) polarities, as shown by the display inside the compartment.
- Never mix new and used batteries.
- Batteries of the same size may have different voltages, depending on brand. Do not mix different brands of batteries.
- When disposing of used batteries, please comply with governmental regulations or environmental public instruction's rules that apply in your country or area.
- In order to prevent battery leakage, remove the batteries when not using the remote control for an extended period (one month or more). If leakage occurs, carefully wipe away any battery fluid inside the compartment, and replace the batteries with new ones.
- Do not allow books or other objects to rest on top of the remote control, since the buttons may be depressed, causing faster exhaustion of the batteries.

Additional notes on connecting antennas

- Keep antenna cables away from other cables and the display unit and main set.
- To assure optimum reception, pull the FM antenna so that it is fully extended and not coiled or hanging at the rear of the unit.
- If reception with the supplied antenna is poor, see the *Other Connections* section in the main operating instructions for details on connecting outdoor antennas.

Additional notes on speaker placement

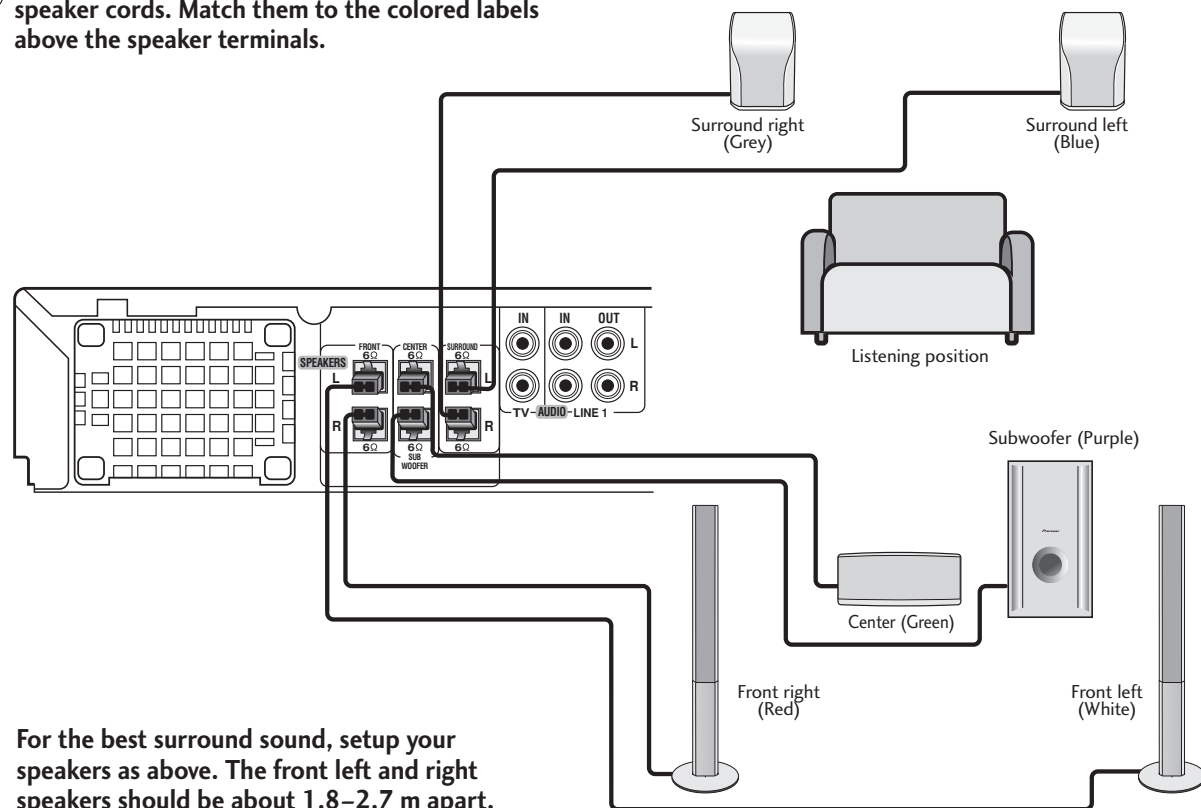
If your listening room is of adequate size, place the speakers as shown in step 3 to achieve the optimum surround sound effect. If you are listening in a fairly small room and a typical surround speaker setup is not possible, see *Home Theater sound setup* of the instruction manual and the speaker setup guide for information on the Front Surround speaker setup option. When using the standard speaker setup as shown in step 3, please observe the following guidelines:

- Install the main front left and right speakers at an equal distance from the TV.
- For optimum effect, install the rear speakers slightly above ear level.
- Install the center speaker above or below the TV so that the sound of the center channel is localized at the TV screen.

Precautions:

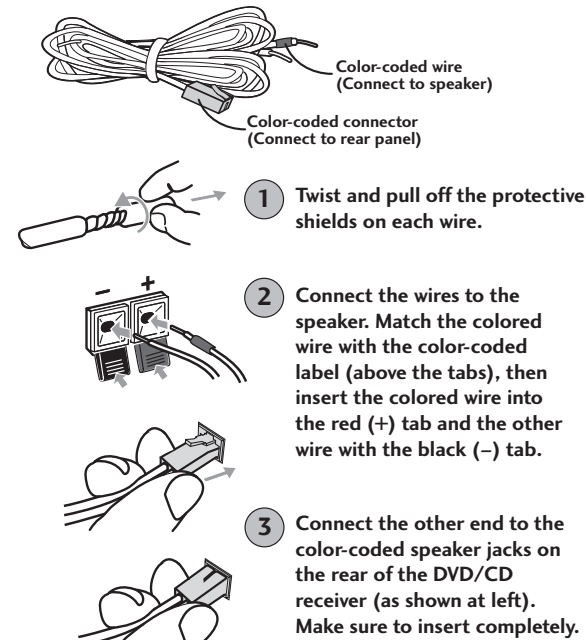
- When installing the center speaker on top of the TV, be sure to secure it with tape or some other suitable means. Otherwise, the speaker may fall from the TV due to external shocks such as earthquakes, endangering those nearby or damaging the speaker.
- Do not connect the supplied speakers with any other amplifier. This may result in malfunction or fire.
- The front, center and surround speakers supplied with this system are magnetically shielded. However, placing them extremely close to a television may result in color distortion on the screen. If this happens, move the speakers a little further away and switch off the television for 15-30 minutes.
- The subwoofer is not magnetically shielded and so should not be placed near a TV or monitor.
- Since it is not magnetically shielded, do not place any magnetic storage media (such as floppy disks and tape or video cassettes) close to the subwoofer.

3 Connect each speaker using the color-coded speaker cords. Match them to the colored labels above the speaker terminals.



For the best surround sound, setup your speakers as above. The front left and right speakers should be about 1.8-2.7 m apart.

Connect each speaker as shown below.

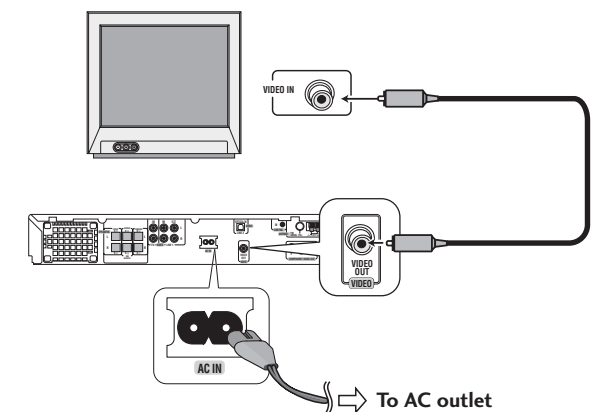


Caution

These speaker terminals can be hazardous when live. When you connect or disconnect the speaker cables, to prevent the risk of electric shock, do not touch uninsulated parts before disconnecting the power cord.

4 Connect the DVD/CD receiver to your TV, then connect the supplied power cord.

- 1 Connect one end to a video input on your TV. Use the supplied video cord.
- 2 Connect the other end to the video output of the DVD/CD receiver. This player is equipped with copy protection technology. Do not connect this player to your TV via a VCR using AV cables, as the picture from this player will not appear properly on your TV.
- 3 Connect the power cord to the AC inlet.



Congratulations! You're done setting up.

設定您的DVD/CD接收機



注意

連接本系統或變更接線方式時，請確實利用STANDBY/ON按鍵先將電源關閉，並將電源線自AC電源插座上脫離。切勿將這些揚聲器搭配其他的系統或擴大機使用，此種作法可能會導致損壞或引起火災。

1 檢查所有配件並無短缺，接著再將電池裝入遙控器內。

電池及遙控器

電源線

視頻線

AM環型天線

FM天線

1 2 3

2 將AM及FM天線裝設至DVD/CD接收機的背面板。

- 1 扯下AM天線兩條導線上的保護外皮。
- 2 將凸耳推開，接著將每條導線完全的插入每個端子內。
- 3 將凸耳放開以固定AM天線導線。
- 4 將AM環型天線固定在安裝底座上。欲將底座固定在天線上，則請對著箭頭所指的方向折彎(圖A)，接著將環圈夾緊於腳座上(圖B)。

附註：若您打算將AM天線裝於牆上或其他的表面上，則請在將環圈夾緊於腳座之前，先利用螺絲將腳座上緊(圖C)。完成安裝後請確定收聽情形清晰良好。

6 將FM線型天線裝設到FM UNBAL 75Ω天線端子上。為得到最佳的收聽效果，請將FM天線完全展開固定於牆上或門框上。切勿放鬆垂下或捲成圈狀。

附註：信號接地線(⏏)在設計上，主要是減少天線在裝設後所產生的雜訊。此線不作電氣安全地線用途。

3 利用標示顏色的揚聲器線將每只揚聲器接上。連接時請對照揚聲器端子上方的顏色標籤。

請依照下列步驟連接每只揚聲器。

- 1 將每條導線上的保護外皮扭轉後扯下。
- 2 將導線接至揚聲器上。將標示顏色的導線對照著標示顏色的標籤(凸耳上方)，接著將有色導線插入紅色(+)的凸耳內，而另一條導線則插入黑色(-)的凸耳內。
- 3 將導線的另一端接至位於DVD/CD接收機背面上標示顏色的揚聲器插孔內(如左圖所示)。請確實將線完全插入。

注意

這些揚聲器端子在導電時是具有危險性的。在您將線接上或脫離時，為避免受到電擊的危險，切勿在脫離電源線之前，觸及到未絕緣的部份。

為產生最佳的環繞音效，請照上圖方式佈置個人的揚聲器。左前置及右前置揚聲器二者應相距1.8-2.7公尺。

應用遙控器

遙控器所使用的範圍是與前面板上的感應器相差7公尺的距離，角度則在30度以內。

安全注意事項：

- 當遙控器與顯示裝置之間存在障礙物，或遙控器並非以正確的角度，直接對準顯示裝置上的遙控感應器，遙控器便無法操作。
- 當有日光或螢光燈等強光對準本機上的遙控感應器直接照射，遙控器便無法正常的操作。
- 當本機在有發射紅外線裝置附近使用，或有其他裝置的遙控器為以紅外線在操作，遙控器便會無法正常操作。同樣，本遙控器在使用時亦會造成其他設備無法正常運作。
- 當發現遙控器的操作範圍縮小，請立即更換電池。

遙控器電池使用注意事項

電池不當使用易造成電池液外漏或電池破裂。請隨時遵照下列規定：

- 隨時按照電池室內的標示，對照正(+)、負(-)極，以正確方式將電池裝入電池室內。
- 不得將新舊電池混合使用。
- 規格相同的電池，品牌不同電壓可能亦不盡相同。切勿混合使用不同品牌的電池。
- 動手廢棄使用過的電池時，請遵照個人所在國家或地區之政府法規或環境公共事務的規定處理。
- 為了避免電池液外漏，長時間(2個月以上)不使用遙控器時，請將電池取出。發生洩漏時，請小心的將電池室內的電池液擦拭乾淨，同時更換新的電池。
- 切勿將書本或其他重物置放在遙控器上，如此易令按鍵下壓而加速耗盡電池電力。

裝設天線之其餘注意事項

- 裝設天線時，請與其他纜線、顯示裝置及主機保持相當的距離。
- 為確保最佳的接收能力，請將FM天線完全展開，切勿捲成圈形或懸掛於本機的背面。
- 若隨附的天線接收能力不良，則請參閱主要操作手冊當中「其他接線方式」乙節，以求詳細了解如何的連接室外天線。

揚聲器佈置之其餘注意事項

若您的房間屬於大小適中的規格，則請您按照步驟9當中的方式來佈置揚聲器，便能享受到最佳的環繞聲效果。若您聆聽音樂的房間相當狹小因而無法採用典型的揚聲器設置方式，則請參閱操作手冊當中「家庭劇院音效設定」乙節及揚聲器設定指南說明，了解有關前置揚聲器(Front Speaker)在設定方面的資訊。當採用步驟9圖示的標準揚聲器設置方式，請遵照以下規定：

- 請將左前置及右前置揚聲器，與電視機相隔同等的距離來安裝。
- 為求產生最佳的效果，安裝時請置於較耳朵高度稍高的位置。
- 請將中置揚聲器置於電視機的上方或下方，可讓您感受有如電視螢幕直接發出中聲道的音效一樣。

安全注意事項：

- 將中置揚聲器置於電視機上方時，請確實以膠布或其他適當的方式來固定揚聲器。否則，揚聲器會因地震等外力震動而從電視機上掉落，危及週圍的人們或造成揚聲器損壞。
- 切勿將隨附的揚聲器接用其他的擴大機。此種作法會導致功能故障或起火。
- 隨本機附上之前置、中置及環繞揚聲器均已經過防磁處理。不過，若它們所擺設的位置太過靠近電視機，則仍會造成螢幕畫面的失真。若發生前述情形，請將揚聲器稍微移開位置並關閉電視機15-30分鐘。
- 重低音並未經過防磁處理，亦因此擺設時不得靠近電視機或顯示器。
- 由於重低音未經防磁處理，所以嚴禁任何磁性儲存媒體(如磁片及錄音帶或錄影帶等)就近擺放。

4 將DVD/CD接收機接至個人電視機上，然後接上隨附的電源線。

- 1 將接收機一端接至個人電視機上的視頻輸入。連接時利用隨附的視頻線。
- 2 將接收機另一端接至DVD/CD接收機的視頻輸出。本機為採用防盜拷技術。切勿使用AV傳輸線將本機透過VCR的方式接至個人的電視機，如此一來，經由本機所傳送的畫面便有可能無法正常的在電視上顯示。
- 3 將電源線接上AC電源插座。

至AC電源插座

恭喜！現在您已設定完成。

Free Manuals Download Website

<http://myh66.com>

<http://usermanuals.us>

<http://www.somanuals.com>

<http://www.4manuals.cc>

<http://www.manual-lib.com>

<http://www.404manual.com>

<http://www.luxmanual.com>

<http://aubethermostatmanual.com>

Golf course search by state

<http://golfingnear.com>

Email search by domain

<http://emailbydomain.com>

Auto manuals search

<http://auto.somanuals.com>

TV manuals search

<http://tv.somanuals.com>