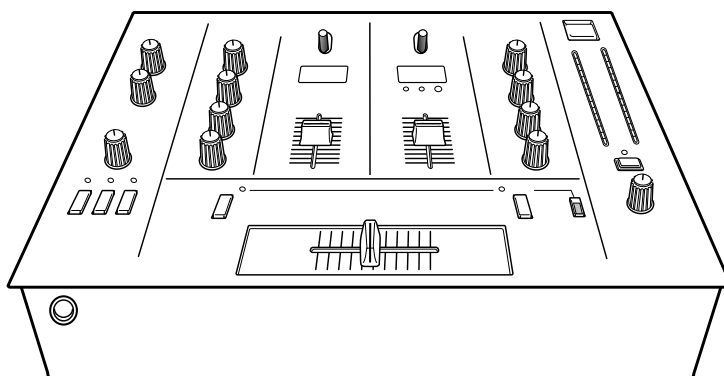


DJ MIXER
TABLE DE MIXAGE

DJM-300
DJM-300-S



English

Français

Thank you for buying this Pioneer product. Please read through these operating instructions so you will know how to operate your model properly. After you have finished reading the instructions, put them away in a safe place for future reference.

WARNING: TO PREVENT FIRE OR SHOCK HAZARD, DO NOT EXPOSE THIS APPLIANCE TO RAIN OR MOISTURE.

CAUTION: TO PREVENT ELECTRIC SHOCK DO NOT USE THIS (POLARIZED) PLUG WITH AN EXTENSION CORD, RECEPTACLE OR OTHER OUTLET UNLESS THE BLADES CAN BE FULLY INSERTED TO PREVENT BLADE EXPOSURE.

IMPORTANT NOTICE

The serial number for this equipment is located on the rear panel. Please write this serial number on your enclosed warranty card and keep it in a secure area. This is for your security.

CAUTION: This product satisfies FCC regulations when shielded cables and connectors are used to connect the unit to other equipment. To prevent electromagnetic interference with electric appliances such as radios and televisions, use shielded cables and connectors for connections.

Nous vous remercions pour cet achat d'un produit PIONEER.

Nous vous demandons de lire soigneusement ce mode d'emploi; vous serez ainsi à même de faire correctement fonctionner l'appareil.

Après avoir bien lu le mode d'emploi, le ranger dans un endroit sûr pour pouvoir s'y référer ultérieurement.

ATTENTION: AFIN DE PREVENIR TOUS RISQUES DE CHOC ELECTRIQUE OU DE DEBUT D'ENCENDIE, NE PAS EXPOSER CET APPAREIL A L'HUMIDITE OU A LA PLUIE.

ATTENTION: POUR PREVENIR LES CHOCS ELECTRIQUES NE PAS UTILISER CETTE FICHE POLARISEE AVEC UN PROLONGATEUR, UNE PRISE DE COURANT OU UNE AUTRE SORTIE DE COURANT, SAUF SI LES LAMES PEUVENT ETRE INSEREES A FOND SANS EN LAISSER AUCUNE PARTIE A DECOUVERT.

REMARQUE IMPORTANTE

Le numéro de série de cet appareil est inscrit sur le panneau arrière. Veuillez noter ce numéro sur la carte de garantie qui accompagne le lecteur et conserver celle-ci en lieu sûr. Cette précaution peut être utile en cas de vol.

IMPORTANT



The lightning flash with arrowhead symbol, within an equilateral triangle, is intended to alert the user to the presence of uninsulated "dangerous voltage" within the product's enclosure that may be of sufficient magnitude to constitute a risk of electric shock to persons.



CAUTION:
TO PREVENT THE RISK OF ELECTRIC SHOCK, DO NOT REMOVE COVER (OR BACK). NO USER-SERVICEABLE PARTS INSIDE. REFER SERVICING TO QUALIFIED SERVICE PERSONNEL.



The exclamation point within an equilateral triangle is intended to alert the user to the presence of important operating and maintenance (servicing) instructions in the literature accompanying the appliance.

IMPORTANT SAFETY INSTRUCTIONS

READ INSTRUCTIONS — All the safety and operating instructions should be read before the product is operated.

RETAIN INSTRUCTIONS — The safety and operating instructions should be retained for future reference.

HEED WARNINGS — All warnings on the product and in the operating instructions should be adhered to.

FOLLOW INSTRUCTIONS — All operating and use instructions should be followed.

CLEANING — Unplug this product from the wall outlet before cleaning. The product should be cleaned only with a polishing cloth or a soft dry cloth. Never clean with furniture wax, benzene, insecticides or other volatile liquids since they may corrode the cabinet.

ATTACHMENTS — Do not use attachments not recommended by the product manufacturer as they may cause hazards.

WATER AND MOISTURE — Do not use this product near water — for example, near a bathtub, wash bowl, kitchen sink, or laundry tub; in a wet basement; or near a swimming pool; and the like.

ACCESSORIES — Do not place this product on an unstable cart, stand, tripod, bracket, or table. The product may fall, causing serious injury to a child or adult, and serious damage to the product. Use only with a cart, stand, tripod, bracket, or table recommended by the manufacturer, or sold with the product. Any mounting of the product should follow the manufacturer's instructions, and should use a mounting accessory recommended by the manufacturer.

CART — A product and cart combination should be moved with care. Quick stops, excessive force, and uneven surfaces may cause the product and cart combination to overturn.



VENTILATION — Slots and openings in the cabinet are provided for ventilation and to ensure reliable operation of the product and to protect it from overheating, and these openings must not be blocked or covered. The openings should never be blocked by placing the product on a bed, sofa, rug, or other similar surface. This product should not be placed in a built-in installation such as a bookcase or rack unless proper ventilation is provided or the manufacturer's instructions have been adhered to.

POWER SOURCES — This product should be operated only from the type of power source indicated on the marking label. If you are not sure of the type of power supply to your home, consult your product dealer or local power company.

LOCATION — The appliance should be installed in a stable location.

NONUSE PERIODS — The power cord of the appliance should be unplugged from the outlet when left unused for a long period of time.

GROUNDING OR POLARIZATION

- If this product is equipped with a polarized alternating current line plug (a plug having one blade wider than the other), it will fit into the outlet only one way. This is a safety feature. If you are unable to insert the plug fully into the outlet, try reversing the plug. If the plug should still fail to fit, contact your electrician to replace your obsolete outlet. Do not defeat the safety purpose of the polarized plug.
- If this product is equipped with a three-wire grounding type plug, a plug having a third (grounding) pin, it will only fit into a grounding type power outlet. This is a safety feature. If you are unable to insert the plug into the outlet, contact your electrician to replace your obsolete outlet. Do not defeat the safety purpose of the grounding type plug.

POWER-CORD PROTECTION — Power-supply cords should be routed so that they are not likely to be walked on or pinched by items placed upon or against them, paying particular attention to cords at plugs, convenience receptacles, and the point where they exit from the product.

OUTDOOR ANTENNA GROUNDING — If an outside antenna or cable system is connected to the product, be sure the antenna or cable system is grounded so as to provide some protection against voltage surges and built-up static charges. Article 810 of the National Electrical Code, ANSI/NFPA 70, provides information with regard to proper grounding of the mast and supporting structure, grounding of the lead-in wire to an antenna discharge unit, size of grounding conductors, location of antenna-discharge unit, connection to grounding electrodes, and requirements for the grounding electrode. See Figure A.

LIGHTNING — For added protection for this product during a lightning storm, or when it is left unattended and unused for long periods of time, unplug it from the wall outlet and disconnect the antenna or cable system. This will prevent damage to the product due to lightning and power-line surges.

POWER LINES — An outside antenna system should not be located in the vicinity of overhead power lines or other electric light or power circuits, or where it can fall into such power lines or circuits. When installing an outside antenna system, extreme care should be taken to keep from touching such power lines or circuits as contact with them might be fatal.

OVERLOADING — Do not overload wall outlets, extension cords, or integral convenience receptacles as this can result in a risk of fire or electric shock.

OBJECT AND LIQUID ENTRY — Never push objects of any kind into this product through openings as they may touch dangerous voltage points or short-out parts that could result in a fire or electric shock. Never spill liquid of any kind on the product.

any kind into this product through openings as they may touch dangerous voltage points or short-out parts that could result in a fire or electric shock. Never spill liquid of any kind on the product.

SERVICING — Do not attempt to service this product yourself as opening or removing covers may expose you to dangerous voltage or other hazards. Refer all servicing to qualified service personnel.

DAMAGE REQUIRING SERVICE — Unplug this product from the wall outlet and refer servicing to qualified service personnel under the following conditions:

- When the power-supply cord or plug is damaged.
- If liquid has been spilled, or objects have fallen into the product.
- If the product has been exposed to rain or water.
- If the product does not operate normally by following the operating instructions. Adjust only those controls that are covered by the operating instructions as an improper adjustment of other controls may result in damage and will often require extensive work by a qualified technician to restore the product to its normal operation.
- If the product has been dropped or damaged in any way.
- When the product exhibits a distinct change in performance — this indicates a need for service.

REPLACEMENT PARTS — When replacement parts are required, be sure the service technician has used replacement parts specified by the manufacturer or have the same characteristics as the original part. Unauthorized substitutions may result in fire, electric shock, or other hazards.

SAFETY CHECK — Upon completion of any service or repairs to this product, ask the service technician to perform safety checks to determine that the product is in proper operating condition.

WALL OR CEILING MOUNTING — The product should not be mounted to a wall or ceiling.

HEAT — The product should be situated away from heat sources such as radiators, heat registers, stoves, or other products (including amplifiers) that produce heat.

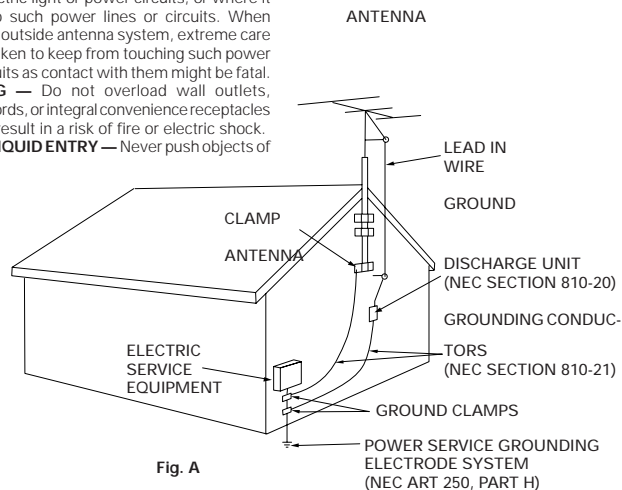


Fig. A

NEC — NATIONAL ELECTRICAL CODE

[For Canadian model]

This Class B digital apparatus meets all requirements of the Canadian Interference-Causing Equipment Regulations.

[Pour le modèle Canadien]

Cet appareil numérique de la Classe B respecte toutes les exigences du Règlement sur le matériel brouilleur du Canada.

Information to User

Alteration or modifications carried out without appropriate authorization may invalidate the user's right to operate the equipment.

This equipment has been tested and found to comply with the limits for a Class B digital device, pursuant to Part 15 of the FCC Rules. These limits are designed to provide reasonable protection against harmful interference in a residential installation. This equipment generates, uses, and can radiate radio frequency energy and, if not installed and used in accordance with the instructions, may cause harmful interference to radio communications. However, there is no guarantee that interference will not occur in a particular installation. If this equipment does cause harmful interference to radio or television reception, which can be determined by turning the equipment off and on, the user is encouraged to try to correct the interference by one or more of the following measures:

- Reorient or relocate the receiving antenna.
- Increase the separation between the equipment and receiver.
- Connect the equipment into an outlet on a circuit different from that to which the receiver is connected.
- Consult the dealer or an experienced radio/TV technician for help.



Dear Customer:

Selecting fine audio equipment such as the unit you've just purchased is only the start of your musical enjoyment. Now it's time to consider how you can maximize the fun and excitement your equipment offers. This manufacturer and the Electronic Industries Association's Consumer Electronics Group want you to get the most out of your equipment by playing it at a safe level. One that lets the sound come through loud and clear without annoying blaring or distortion-and, most importantly, without affecting your sensitive hearing.

Sound can be deceiving. Over time your hearing "comfort level" adapts to higher volumes of sound. So what sounds "normal" can actually be loud and harmful to your hearing. Guard against this by setting your equipment at a safe level BEFORE your hearing adapts.

To establish a safe level:

- Start your volume control at a low setting.
- Slowly increase the sound until you can hear it comfortably and clearly, and without distortion.

Once you have established a comfortable sound level:

- Set the dial and leave it there.

Taking a minute to do this now will help to prevent hearing damage or loss in the future. After all, we want you listening for a lifetime.

We Want You Listening For A Lifetime

Used wisely, your new sound equipment will provide a lifetime of fun and enjoyment. Since hearing damage from loud noise is often undetectable until it is too late, this manufacturer and the Electronic Industries Association's Consumer Electronics Group recommend you avoid prolonged exposure to excessive noise. This list of sound levels is included for your protection.

Decibel

<u>Level</u>	<u>Example</u>
30	Quiet library, soft whispers
40	Living room, refrigerator, bedroom away from traffic
50	Light traffic, normal conversation, quiet office
60	Air conditioner at 20 feet, sewing machine
70	Vacuum cleaner, hair dryer, noisy restaurant
80	Average city traffic, garbage disposals, alarm clock at two feet.

THE FOLLOWING NOISES CAN BE DANGEROUS UNDER CONSTANT EXPOSURE

90	Subway, motorcycle, truck traffic, lawn mower
100	Garbage truck, chain saw, pneumatic drill
120	Rock band concert in front of speakers, thunderclap
140	Gunshot blast, jet plane
180	Rocket launching pad

Information courtesy of the Deafness Research Foundation.



CONTENTS

CAUTIONS REGARDING HANDLING	4
CHECKING ACCESSORIES	5
FEATURES	5
CONNECTIONS	6
1. Connection of Input Equipment	6
2. Connection of Outputs	7
NAME AND FUNCTION OF PARTS	8
MEASURING BPM	12
USING THE FADER START FUNCTION	14
Starting the Cross Fader	14
Starting the Channel fader	14
TROUBLESHOOTING	16
SPECIFICATIONS	18

TABLE DES MATIERES

PRECAUTIONS CONCERNANT LA MANIPULATION	4
CONTROLE DES ACCESSOIRES	5
CARACTERISTIQUES PRINCIPALES	5
CONNEXION	6
1. Connexion des appareils d'entrée	6
2. Connexion des sorties	7
DENOMINATION ET FONCTION DES ELEMENTS ...	8
MESURE DU BPM	12
UTILISATION DE LA FONCTION DE DEMARRAGE PAR CURSEUR DE VOLUME (Fader Start)	14
Démarrage par curseur de volume croisé	14
Démarrage par curseur de volume de canal	14
DEPISTAGE DES PANNES	17
FICHE TECHNIQUE	19

CAUTIONS REGARDING HANDLING

Location

Install the unit in a well-ventilated location where it will not be exposed to high temperatures or humidity.

Do not install the unit in a location which is exposed to direct rays of the sun, or near stoves or radiators. Excessive heat can adversely affect the cabinet and internal components. Installation of the unit in a damp or dusty environment may also result in a malfunction or accident. (Avoid installation near cookers etc., where the unit may be exposed to oily smoke, steam or heat.)

Condensation

When this unit is brought into a warm room from previously cold surroundings or when the room temperature rises sharply, condensation may form inside, and the unit may not be able to attain its full performance. In cases like this, allow the unit to stand for about an hour or raise the room temperature gradually.

Cleaning the unit

- Use a polishing cloth to wipe off dust and dirt.
- When the surfaces are very dirty, wipe with a soft cloth dipped in some neutral cleanser diluted five or six times with water and wrung out well, then wipe again with a dry cloth. Do not use furniture wax or cleaners.
- Never use thinners, benzene, insecticide sprays or other chemicals on or near this unit, since these will corrode the surfaces.

PRECAUTIONS CONCERNANT LA MANIPULATION

Emplacement

Installer l'appareil dans un endroit bien ventilé à l'abri d'une température ou d'une humidité élevée.

Ne pas installer l'appareil dans un endroit qui est exposé aux rayons directs du soleil, ni près d'appareils de chauffage ou de radiateurs. Une chaleur excessive peut affecter le coffret et les composants internes. Une installation dans un environnement humide ou poussiéreux peut provoquer un fonctionnement défectueux ou un accident. (Éviter également une installation près de cuisinières, etc., où le lecteur peut être exposé à de la fumée grasseuse, de la vapeur ou à la chaleur.)

Condensation

Lorsque le lecteur est transporté d'un endroit froid dans une pièce chaude ou si la température de la pièce augmente brusquement, de la condensation risque de se former à l'intérieur du lecteur et il peut ne pas réaliser toutes ses performances. Dans ce cas, ne pas utiliser l'appareil pendant une heure environ ou augmenter progressivement la température de la pièce.

Entretien des surfaces extérieures

- Se servir d'un linge à polir or d'un chiffon sec pour enlever la poussière ou les souillures.
- Si les surfaces sont très sales, les frotter avec un linge doux trempé dans un détergent neutre, dilué dans cinq ou six fois son volume d'eau, puis essuyer convenablement les surfaces. Ne pas utiliser de cire ou de produit pour meubles.
- Ne jamais utiliser de diluant pour peinture, de benzine ou d'insecticide en atomiseur sur ou à proximité de l'appareil, car ses surfaces en seraient endommagées.

CHECKING ACCESSORIES

- Operating instructions

CONTROLE DES ACCESSOIRES

- Mode d'emploi

FEATURES

BPM Counter

The auto BPM counter provided allows the tempo of songs to be checked visually. This counter can be switched between real-time and average.

3-Band Equalizer & Kill

A 3-band equalizer corresponding to the HI, MID, and LOW channels. The attenuation level also serves as a kill function which can decrease the level to -26 dB.

Peak Level Meter

The peak level meter provided is equipped with 9-bit LED indicators for each channel. This meter can be switched to display the master level or channel level.

Fader Start

The CD player can be started by increasing the level of the cross fader or channel fader, which is selected using the cross fader switch. (This function can be used only when the Pioneer CD player CDJ-500 series is connected.)

Allocation Monitor

Enables channel inputs and master outputs to be divided into the left and right headphones and monitored. As a result, music can be joined accurately.

Enhanced Input/Output Terminals

Equipped with a total of 7 inputs-2 CD inputs, 2 LINE inputs, 2 PHONO inputs (for MM only), and 1 microphone input; and 2 outputs.

CARACTERISTIQUES PRINCIPALES

Compteur BPM

Le compteur auto BPM incorporé permet de vérifier visuellement le tempo de la musique. Ce compteur peut afficher des valeurs en temps réel ou des valeurs moyennes.

Egaliseur à 3 bandes et suppression

L'égaliseur à 3 bandes correspond aux canaux HI, MID et LOW. Le niveau d'atténuation peut également servir de fonction de suppression qui peut diminuer le niveau de -26 dB.

Mesure du niveau de pic sonore

L'indicateur de niveau maxi est équipé d'indicateurs LED de 9 bits pour chaque canal. Cet indicateur peut être programmé pour indiquer le niveau principal ou le niveau du canal.

Démarrage par curseur de volume

Le lecteur CD peut être démarré en augmentant le niveau du curseur de volume croisé ou du curseur de canal; ceux-ci peuvent être sélectionnés à l'aide du commutateur du curseur de volume croisé. (Cette fonction n'est utilisable que lorsqu'un lecteur CD Pioneer des séries CDJ-500 est connecté)

Commande d'Allocation

Permet de répartir les entrées canaux et les sorties principales sur les écouteurs de gauche et de droite et de les gérer. Cela permet d'activer des musiques à des heures précises.

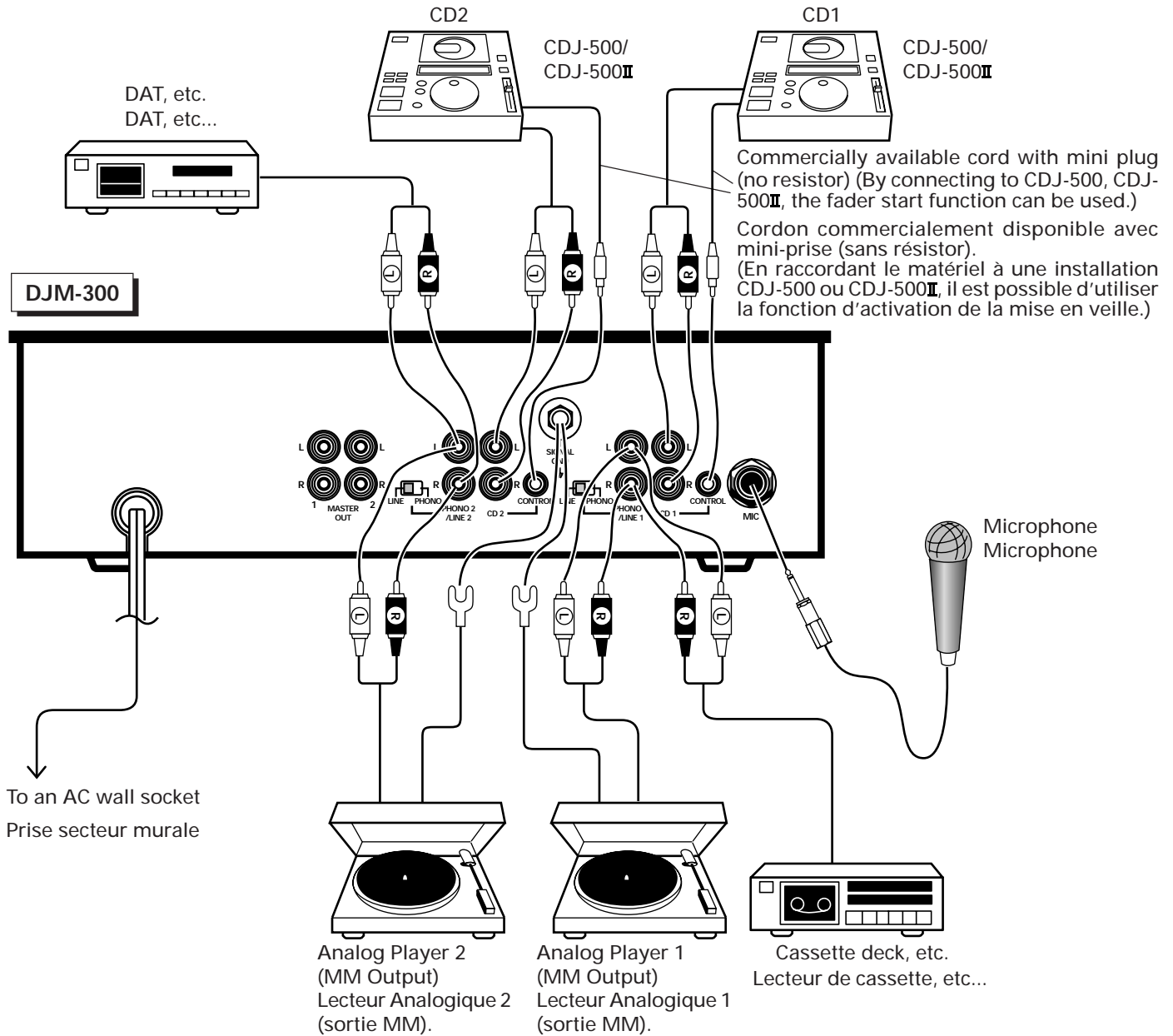
Connexions d'entrée et de sortie améliorées

Equippé d'un total de 7 entrées, 2 entrées CD, 2 entrées LINE (ligne), 2 entrées PHONES (casque) (pour MM seulement), ainsi qu'une entrée et 2 sorties microphone.

CONNECTIONS

Before making or changing the connections, switch off the power switch and disconnect the power cord from the AC outlet.

1. Connection of Input Equipment

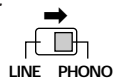


NOTE:

When connecting the analog players to PHONO1/LINE1 and PHONO2/LINE2 terminals, set the input source selection switch on the rear panel to "PHONO".

REMARQUE:

Lors de la connexion de lecteurs analogiques sur PHONO1/LINE1 et PHONO2/LINE2, placer le sélecteur de source d'entrée du panneau arrière sur "PHONO".



When not using the analog player, set the switch to "LINE" (See page 9).

En n'utilisant pas de lecteurs analogiques, placer ce sélecteur sur "LINE". (Voir page 9).

6

<DRB1206>

En/Fr

CONNEXION

Avant d'effectuer les raccordement, ou de les modifier, veuillez à couper l'alimentation et à débrancher la fiche du cordon d'alimentation.

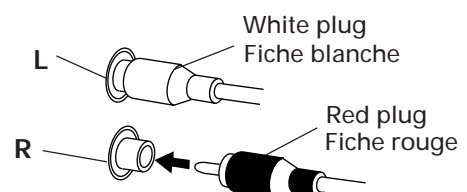
1. Connexion des appareils d'entrée

Connecting audio cords

Use cords with red and white pin plugs. Connect the white plug to (L) and the red plug to (R). Be sure to insert completely.

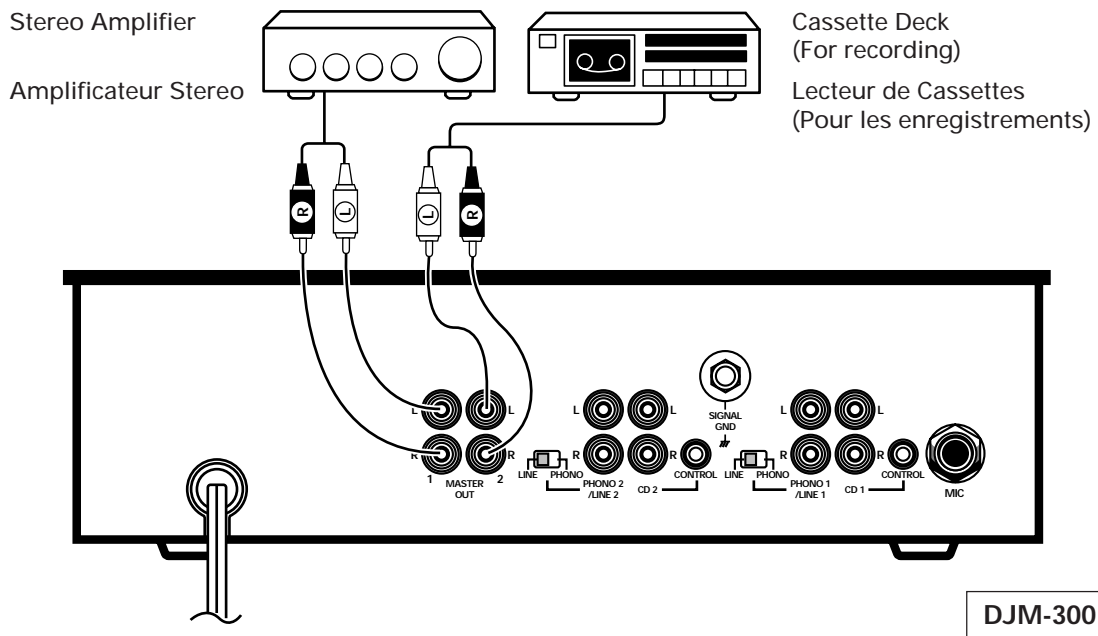
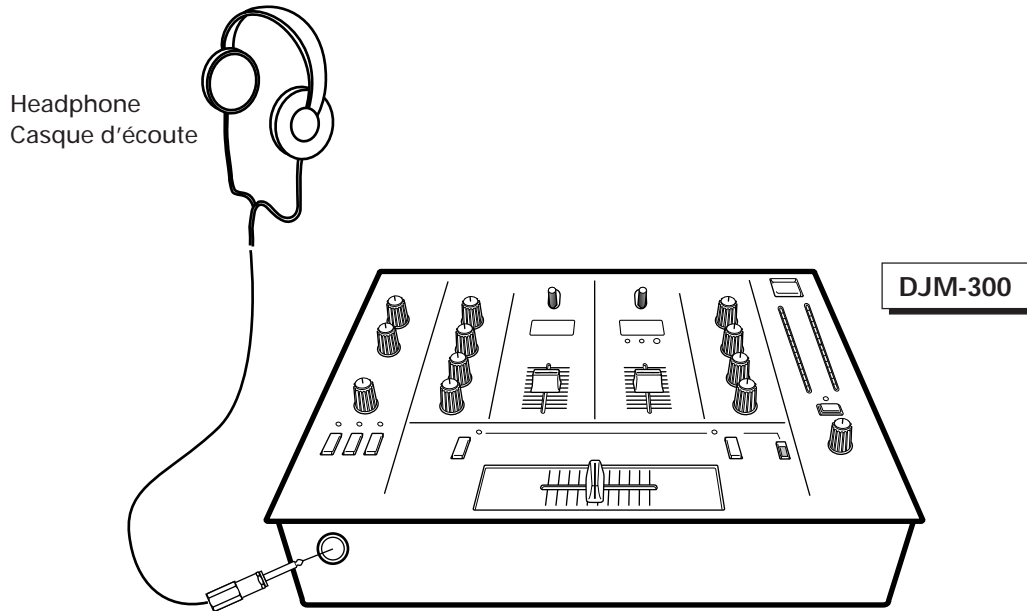
Connexion des câbles audio

Utilisez des câbles munis de fiches rouge et blanche. Raccordez la fiche blanche sur (L) et la fiche rouge sur (R). Veillez à les enfoncer complètement.



CONNECTIONS

2. Connection of Outputs



NAME AND FUNCTION OF PARTS

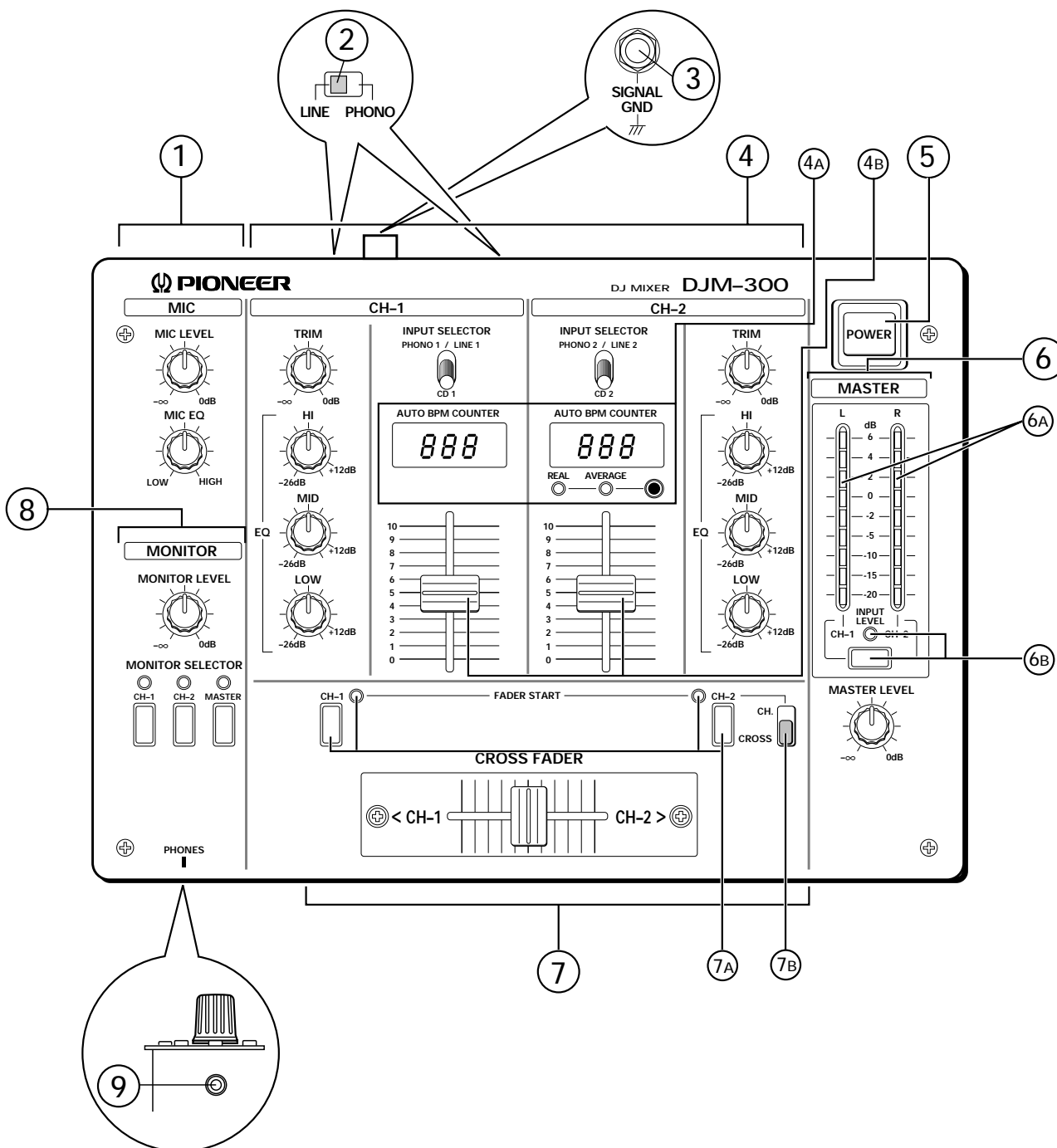
Control panel

② and ③ shows the rear view, while ⑨ shows the front view.

DENOMINATION ET FONCTION DES ELEMENTS

Panneau de commande

② et ③ montrent la partie arrière, alors que ⑨ montre la partie frontale.



① Microphone Input Control Section

MIC Level:

Used for adjusting the volume of the microphone.

MIC EQ (Microphone Equalizer):

Used for adjusting the sound quality of the microphone. Flat at center click.

Emphasizes the high tone (treble) when rotated to the right.

Emphasizes the low tone (bass) when rotated to the left.

① Section de Commande d'Entrée Microphone.

Niveau MIC:

Utilisé pour ajuster le volume du microphone.

MIC EQ (Equaliseur Microphone):

Sert au réglage de la qualité du son du microphone. Centre de la portée avec déclic.

Intensifie les aigus lorsqu'il est tourné vers la droite.

Intensifie les basses lorsqu'il est tourné vers la gauche.

NAME AND FUNCTION OF PARTS

② Rear Panel Input Source Selection Switch

Used for selecting the device connected to PHONO 1/LINE 1 and PHONO 2/LINE 2 input terminals.

PHONO: Analog player (MM output)

LINE: Audio equipment whose output level is the line level

NOTE:

Do not switch with the power ON.

When switched, the master output will be muted.

③ Ground Terminal (SIGNAL GND)

Connects to the GND cord of the analog player.

This terminal is for only an analog player, not for a safety ground.

④ CH1, CH2 Input Control Section

Input selection switch (INPUT SELECTOR):

Selects which one of the two units connected to each CH to use.

CH1: Switches between PHONO 1/LINE 1 and CD1

CH2: Switches between PHONO 2/LINE 2 and CD2

TRIM:

Used for adjusting the level of the input signal.

The level increases when rotated to the right. (To +6 dB)

The level decreases when rotated to the left. (To $-\infty$)

EQ (Equalizer):

HI:

Used for adjusting the high tone.

Flat at center click.

Increases when rotated to the right.

Decreases when rotated to the left.

MID:

Used for adjusting the middle tone.

Flat at center click.

Increases when rotated to the right.

Decreases when rotated to the left.

LOW:

Used for adjusting the low tone.

Flat at center click.

Increases when rotated to the right.

Decreases when rotated to the left.

④A BPM Display (Refer to Page 12.)

Counter:

- Displays the BPM of the source input to CH1 and CH2 digitally. Displays “---” when BPM could not be measured for more than 5 seconds or when switched off. Displays in real mode when the power is turned on.

Real-mode/average mode selection button and indicator:

Each time the button is pressed, the display mode and indicator light switch as follows.



(When REAL is selected.)

Displays the measured BPM value at real time.

The measurement error is greater than AVERAGE.

Blinks while measuring.

(When AVERAGE is selected.)

The display timing becomes slower, but the display will be stabilized by the averaging process.

While measuring, the previous value will remain displayed.

DENOMINATION ET FONCTION DES ELEMENTS

② Interrupteur de Sélection de la Source d'Entrée du Panneau Arrière

Sert à la sélection des terminaux d'entrées raccordés à PHONO 1/LINE 1 et PHONO 2/LINE 2.

PHONO: Lecteur analogique (sortie MM)

LINE: Equipement audio dont le niveau de sortie est le niveau de ligne

REMARQUE:

Ne pas mettre sous tension (ON).

Lors de la mise sous tension, la sortie principale est désactivée.

③ Prise de terre (SIGNAL GND)

Connexion au câble de masse du lecteur analogique.

Cette prise est réservée à un lecteur analogique, mais ne constitue pas une prise de terre sûre.

④ CH1, CH2 Section de Commande d'Entrée Sélecteur d'entrées (INPUT SELECTOR):

Celui-ci sélectionne le son provenant d'un des deux appareils connectés à chaque CH à utiliser.

CH1 : Commutation entre PHONO 1/LINE 1 et CD1

CH2 : Commutation entre PHONO 2/LINE 2 et CD2

TRIM:

Utilisé pour ajuster le niveau du signal d'entrée.

Tournez vers la droite pour augmenter le niveau. (Jusque +6 dB)

Tournez vers la gauche pour diminuer le signal. (Jusque $-\infty$)

EQ (Equaliseur):

HI:

Utilisé pour ajuster les sons aigus.

Centre de la portée avec déclin.

Tournez vers la droite pour augmenter.

Tournez vers la gauche pour diminuer.

MID:

Utilisé pour ajuster les sons de hauteur moyenne.

Centre de la portée avec déclin.

Tournez vers la droite pour augmenter.

Tournez vers la gauche pour diminuer.

LOW:

Utilisé pour ajuster les sons graves.

Centre de la portée avec déclin.

Tournez vers la droite pour augmenter.

Tournez vers la gauche pour diminuer.

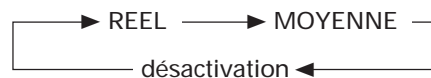
④A Affichage BPM (Référez-vous à la page 12)

Compteur:

- Affiche en chiffres la valeur BPM (Bits Par Minute) de l'entrée source de CH1 et CH2. Affiche “---” lorsque la mesure n'a pas été possible pendant plus de 5 secondes ou quand l'installation est en mode d'arrêt. Affichage en mode réel à la mise sous tension du système.

Bouton de sélection mode réel/mode des moyennes et indicateur (REAL/AVERAGE):

A chaque pression du bouton, le témoin lumineux du mode d'affichage et de l'indicateur suit le cheminement suivant:



(Lorsque REAL est sélectionné.)

Affiche la valeur BPM mesurée en temps réel.

L'erreur de mesure est supérieure à MOYENNE.

Clignote lors de la mesure.

(Lorsque AVERAGE est sélectionné.)

La séquence d'affichage sera plus lente, mais l'affichage sera stabilisé par le calcul de la valeur moyenne.

Durant la mesure, la valeur précédente demeure affichée.

NAME AND FUNCTION OF PARTS

④_B Channel Fader Volume

Used for adjusting the volume of CH1 to CH2.

⑤ Power Supply Switch (POWER)

Turns ON/OFF the power of this unit.

When the power is turned ON, the unit will be muted for about 2 seconds to protect the connected units.

⑥ Master Control Section

⑥_A Level meter

The level meter display mode selection switch enables two levels to be displayed. When the level meter display mode indicator is off, the master level is displayed. When it is lit, the CH1 and CH2 input levels are displayed. The peak level is held for 2 seconds.

The display range is -20 dB to +6 dB.

⑥_B Level Meter Display Mode Selection Button and Indicator

Used for switching the level meter display mode.

Each time the button is pressed, the mode will be switched between the master level display and input level display (CH1, CH2).

The INPUT LEVEL indicator is lit during the input level display.

When the power is turned on, the mode will first be set to the master level display.

⑦ Cross Fader Section

Cross Fader Volume (CROSS FADER)

Operates when the cross fader switch is at the CROSS side.

Controls and outputs the CH1 and CH2 signals.

When the control is set to the left side, the CH1 signal increases (To 0 dB) and the CH2 signal decreases (To $-\infty$).

When set to the right side, the CH2 signal increases (To 0 dB) and the CH1 signal decreases (To $-\infty$).

⑦_A Fader Start Switch (FADER START) and indicator (Refer to Page 14.)

When pressed, the indicator lights up and the fader start switch turns ON. When pressed another time, the indicator goes off and the fader start switch goes off.

When the optional CD player (CDJ-500 or CDJ-500II) is connected to the unit using the commercially available cord with mini plug (no resistor), this ON/OFF switch is used to start automatic playing of the CD player using the channel fader or cross fader.

DENOMINATION ET FONCTION DES ELEMENTS

④_B Curseur de volume de canal

Afin d'ajuster le volume de CH1 à CH2.

⑤ Interrupteur d'alimentation (POWER)

Mise en MARCHE/ARRET de cette unité.

Lorsque le matériel est mis sous tension, l'unité est désactivée pendant environ 2 secondes afin de protéger les unités connectées.

⑥ Section de Commande Principale

⑥_A Indicateur de niveau

L'interrupteur de sélection de mode d'affichage de l'indicateur de niveau permet l'affichage de deux niveaux. Lorsque l'indicateur de mode d'affichage de niveau est désactivé, le niveau principal est affiché. Lorsqu'il est allumé, les niveaux d'entrée de CH1 et CH2 sont affichés. Le niveau maxi est maintenu pendant 2 secondes.

La portée de l'affichage s'étend de -20 dB à +6 dB.

⑥_B Bouton de Sélection de Mode d'Affichage de l'Indicateur de Niveau et Indicateur

Servent à l'activation du mode d'affichage de l'indicateur de niveau.

A chaque pression du bouton, le mode alterne entre l'affichage du niveau principal et l'affichage du niveau d'entrée (CH1, CH2).

L'indicateur de niveau d'entrée ("INPUT LEVEL") reste allumé pendant l'affichage du niveau d'entrée.

En mettant l'installation sous tension, le mode d'affichage du niveau principal est automatiquement activé.

⑦ Section de mise en veille croisée

Curseur de volume croisé (CROSS FADER)

Activée lorsque le bouton de mise en veille croisée est placé du côté CROSS

Contrôle et permet la sortie de signaux CH1 et CH2.

Quand la commande est placée sur la gauche, le signal CH1 augmente (jusqu'à 0dB), et le signal CH2 décroît (jusqu'à $-\infty$).

Quand la commande est positionnée à droite, le signal CH2 augmente (Jusqu'à 0 dB) et le signal CH1 diminue (Jusqu'à $-\infty$).

⑦_A Interrupteur d'Activation Mise en Veille (FADER START) et indicateur (Référez-vous à la page 14)

En appuyant sur ce bouton, l'indicateur s'allume et l'interrupteur de mode de mise en veille adopte sa position ON (marche). En appuyant sur le bouton une seconde fois, l'indicateur s'éteint et l'interrupteur de mode de mise en veille adopte sa position OFF (arrêt).

Quand le lecteur CD optionnel (CDJ-500 ou CDJ-500II) est connecté à l'unité à l'aide du cordon mini-fiche (sans résistance), disponible dans le commerce, le bouton ON/OFF (Marche/Arrêt) est utilisé pour un démarrage automatique du lecteur CD à l'aide des commandes de mise en veille de canal ou de mise en veille croisée.

NAME AND FUNCTION OF PARTS

⑦b Cross Fader Switch (CH./CROSS)

CH.:

Select when mixing sounds using the channel fader volume. (Direct mix.)

When the fader start switch is ON, fader should be started by the channel fader.

CROSS:

Select when mixing sounds using the cross fader. (Cross fader mix.)

When the fader start switch is ON, fader should be started by the cross fader.

Master Volume Level Adjustment (MASTER LEVEL)

Used to adjust the level of the master output volume.

The signal mixing the CH1 and CH2 channel fader levels and microphone inputs will be output.

⑧ Headphone Monitor Section

Monitor Level Knob (MONITOR LEVEL)

Used for adjusting the headphone monitor volume.

Monitor Select Switch (CH-1/CH-2/MASTER) and indicators

When pressed, the indicator lights up and the fader start switch turns ON. When pressed another time, the indicator goes off and the fader start switch turns off.

Used for selecting the headphone monitor sources (CH-1, CH-2, MASTER).

When the button of the desired source is pressed, the sound of the channel selected will be output to the headphone terminal.

For CH-1 and CH-2, the sound before the channel fader is set will be output.

For MASTER, the sound after the master control is set will be output.

Two sources can be selected simultaneously. When MASTER is pressed when CH-1 and CH-2 are selected simultaneously, only MASTER will be selected. When only one of the channels and MASTER are selected simultaneously, the one channel and MASTER will be selected.

(Three sources cannot be selected simultaneously.)

(Relation between Monitor Select Switch and Headphone Output)

Monitor Select Switch			Headphone Output	
CH-1	CH-2	MASTER	L	R
ON	OFF	OFF	CH1 (L)	CH1 (R)
OFF	ON	OFF	CH2 (L)	CH2 (R)
OFF	OFF	ON	MASTER (L)	MASTER (R)
ON	ON	OFF	CH1 (L) + CH2 (L)	CH1 (L) + CH2 (R)
ON	OFF	ON	CH1 (MONO)	MASTER (MONO)
OFF	ON	ON	CH2 (MONO)	MASTER (MONO)

⑨ Headphone Terminal (PHONES)

DENOMINATION ET FONCTION DES ELEMENTS

⑦b Commutateur du curseur de volume croisé (CH./CROSS)

CH. : en cas de mixage à partir du curseur de volume de canal. (Mixage direct)

Lorsque le bouton de démarrage de mise en veille est en position ON (marche), la mise en veille doit être initialisée par la mise en veille de canal.

CROSS : en cas de mixage à partir du curseur de volume croisé. (Mixage croisé)

Lorsque le bouton de démarrage de mise en veille est en position ON (marche), la mise en veille doit être initialisée par la mise en veille croisée.

Ajustement du volume de la mélodie principale (MASTER LEVEL)

Utilisation pour ajuster le niveau de volume de sortie de la mélodie principale.

Le signal de mixage des niveaux de mise en veille des canaux CH1 et CH2, et des entrées microphone, sera interrompu.

⑧ Section de Commande du Microphone

Bouton du niveau du moniteur (MONITOR LEVEL)

Utilisation pour ajuster le volume du moniteur du casque d'écoute.

Bouton de Sélection de Moniteur (CH-1/CH-2/MASTER) et indicateurs

En appuyant sur ce bouton, l'indicateur s'allume et l'interrupteur de mode de mise en veille adopte sa position ON (marche). En appuyant sur le bouton une seconde fois, l'indicateur s'éteint et l'interrupteur de mode de mise en veille adopte sa position OFF (arrêt).

Servent à la sélection de la source de commande du casque d'écoute (CH-1, CH-2, MASTER).

Lorsque le bouton de la source désirée est enfoncé, le son du canal sélectionné sera transmis au terminal du casque d'écoute.

Pour CH-1 et CH-2, le son avant réglage de la mise en veille de canal sera transmis.

Pour MASTER, le son après la commande principale sera transmis.

Il est possible de sélectionner deux sources simultanément. En appuyant sur MASTER quand CH-1 et CH-2 sont sélectionnés simultanément, seul MASTER sera retenu. Quand un canal est sélectionné avec l'un quelconque des canaux et MASTER sélectionnés simultanément, le dernier canal sélectionné et MASTER seront retenus.

(Trois sources ne peuvent pas être sélectionnées simultanément).

(Relation entre Bouton de Sélection de Moniteur et Sortie Casque d'écoute)

Bouton de Sélection de Moniteur			Sortie Casque d'écoute	
CH-1	CH-2	MASTER	L	R
ON	OFF	OFF	CH1 (L)	CH1 (R)
OFF	ON	OFF	CH2 (L)	CH2 (R)
OFF	OFF	ON	MASTER (L)	MASTER (R)
ON	ON	OFF	CH1 (L) + CH2 (L)	CH1 (L) + CH2 (R)
ON	OFF	ON	CH1 (MONO)	MASTER (MONO)
OFF	ON	ON	CH2 (MONO)	MASTER (MONO)

⑨ Prise pour casque d'écoute (PHONES)

MEASURING BPM

Auto BPM Counter (AUTO BPM COUNTER)

Automatically measures the BPM (Beats per minute (Factor indicating music speed)) of the song and displays it digitally. (*1)

It not only counts the beat of bass sounds but also calculates, using a computer, the original BPM of the song required by DJs and displays it digitally.

This allows the BPM to now be checked not only with the ear as done previously but also visually, thereby enabling songs with different tempos to be mixed more quickly and simply.

The measurement mode consists of the "real mode" which displays the data in real-time and the "average mode" which displays the average value calculated.

(*1: Able to calculate the BPM of most songs, but not of some (e.g. acapella, ad lib, etc..))

(Example)

Displays the BPM of the song input to CH1 and CH2.

1 Rotate the TRIM control and adjust the input level so that the display lights up without the input level meter swinging to the other end.

2 Select the BPM display mode using the real mode/average mode selection button.

- Each time the button is pressed, the display mode and indicator lit switch as follows.



- Real display** : Displays the measured BPM value at real time. The measurement error is greater than AVERAGE.
- Average display** : The display timing becomes slower, but the display will be stabilized by the averaging process. While measuring, the previous value will remain displayed.
- Off** : Both REAL and AVERAGE go off. The BPM counter displays "-- --", and BPM is not displayed.

MESURE DU BPM

Compteur auto BPM (AUTO BPM COUNTER)

Mesure automatiquement la valeur BPM (Beats Par Minute: Facteur d'indication de la vitesse de la musique) du morceau et l'affiche de manière numérique. (*1)

Il ne s'agit pas uniquement d'un comptage des battements des sons graves, mais également d'un calcul par ordinateur du BPM d'origine de la mélodie dont les Disc-Jockeys ont besoin et d'un affichage digital.

Ceci permet ainsi d'apprécier le BPM non plus uniquement à l'oreille comme par le passé, mais également visuellement, ce qui offre la possibilité de mixer plus rapidement et plus aisément des mélodies de tempos différents.

Le mode de mesure consiste en un "mode réel" qui affiche les données en temps réel et un "mode moyenne" qui affiche la valeur moyenne calculée.

(*1: Capacité à calculer le BPM de la plupart des mélodies à l'exception de certaines (comme par ex.: a capella, ad lib, etc...))

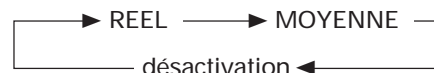
(Exemple)

Affiche la valeur BPM de l'entrée du morceau vers CH1 et CH2.

1 Faire tourner la commande TRIM et ajuster le niveau d'entrée de sorte que l'afficheur s'allume sans que l'indicateur de niveau ne bascule vers l'autre côté.

2 Sélectionner le mode d'affichage BPM en utilisant le bouton de sélection mode réel/mode des moyennes.

- A chaque pression du bouton, le témoin lumineux du mode d'affichage et de l'indicateur suit le cheminement suivant:



- Mode réel** : Affiche la valeur BPM mesurée en temps réel. L'erreur de mesure est supérieure à MOYENNE.
- Affichage de moyenne** : La séquence d'affichage sera plus lente, mais l'affichage sera stabilisé par le calcul de la valeur moyenne. Durant la mesure, la valeur précédente demeure affichée.
- Désactivation** : REEL et MOYENNE s'arrêtent. Le compteur BPM (Beats Par Minute) indique "-- --", et la valeur BPM n'est pas affichée.

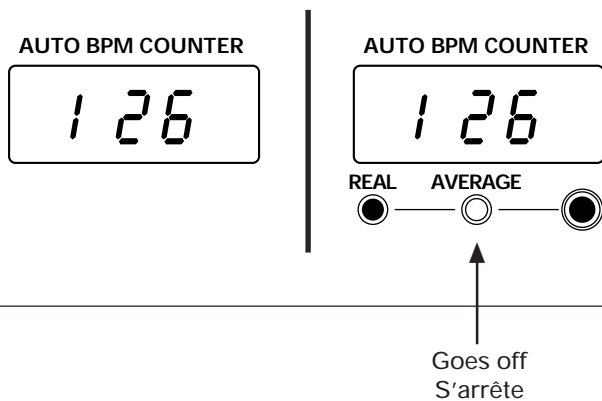
USING THE EFFECT FUNCTION

- 3 Adjust the play tempo (speed) using the player of CH1 and CH2 (Eg. CD player).

UTILISATION DE LA FONCTION D'EFFET

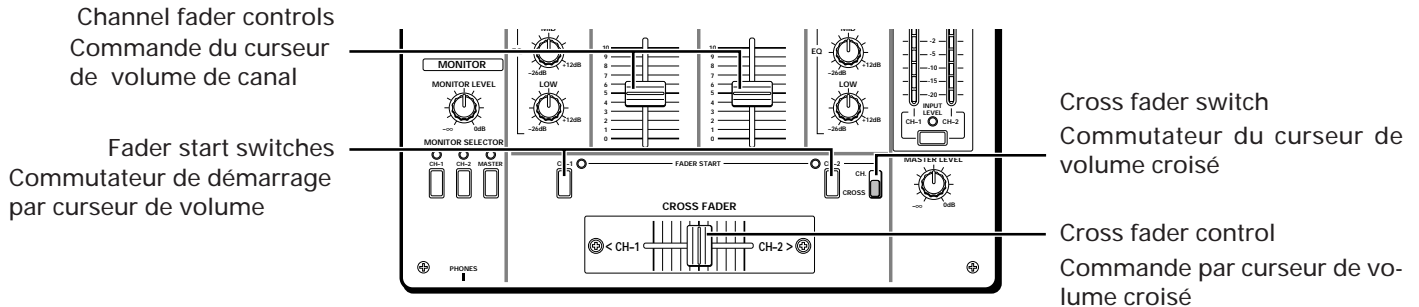
- 3 Régler le tempo de lecture (la vitesse) en utilisant le lecteur CH1 et CH2 (Lecteur CD par exemple).

Display when BPM of CH1 (126) and BPM of CH2 (126) match.
Affichage lorsque le BPM du CH1 (126) et le BPM du CH2 (126) s'accordent.



USING THE FADER START FUNCTION

By connecting the optional CD players CDJ-500 and CDJ-500II to the unit, the player can be started using the channel fader or cross fader controls. (The commercially available cord with mini plug (no resistor) must be connected.)

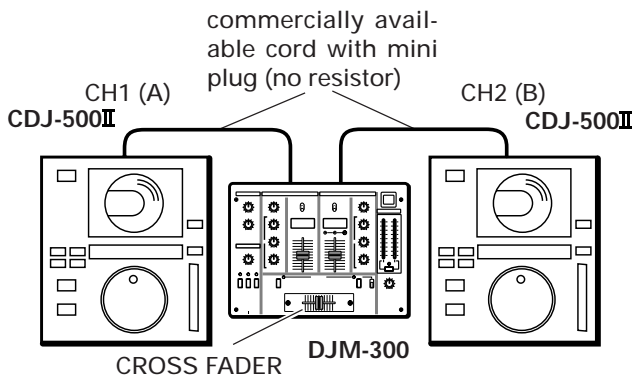


UTILISATION DE LA FONCTION DE DEMARRAGE PAR CURSEUR DE VOLUME (Fader Start)

En connectant le lecteur CD optionnel, CDJ-500 ou CDJ-500II, à l'unité, le lecteur peut être démarré à l'aide des commandes de mise en veille de canal ou de mise en veille croisée. (Le cordon mini-fiche (sans résistance) doit être branché).

Fader Start Play

By increasing the mixer fader control, the pause of the player will be released and the song starts immediately automatically. The cross fader can also be used to perform fader start play. By returning the fader to the original position, as the player will be returned to the cue point (back cue), sampler playing can also be performed. (DJM-300 fader start play can be performed even when combined with CDJ-500 and CDJ-500II. However, back cue play can be performed only when combined with CDJ-500II.)

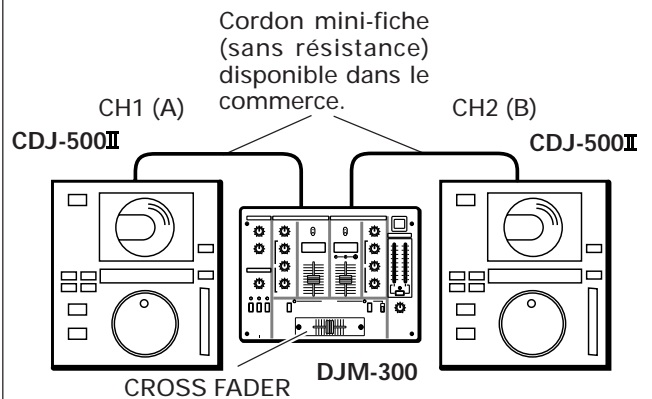


Cross Fader Start Play and Back Cue Play

CH1 (A) can be started just by moving the cross fader control from right to left during standby when CH1 (A) is at the cue point.
Likewise, CH2 (B) can also be started just by moving the cross fader control from left to right during standby when CH2 (B) is at the cue point.
When moved to the right end, CH2 (A) will back cue (return to the cue point).

Démarrage par curseur de volume

En amplifiant la commande de mise en veille mixte, la pause du lecteur est désactivée et le morceau de musique commence immédiatement et automatiquement. Le curseur de volume croisé peut également être utilisé pour effectuer ce démarrage par curseur de volume. Le passage de séquences peut aussi avoir lieu en ramenant le curseur de volume à sa position initiale; ainsi, le lecteur reviendra à son point de signal (signal de retour). (Le démarrage par curseur de volume du DJM-300 peut être utilisé en connexion aux CDJ-500 et CDJ-500II. Néanmoins, l'utilisation du signal de retour n'est possible qu'en connexion aux CDJ-500II.)



Démarrage par curseur de volume croisé et signal de retour

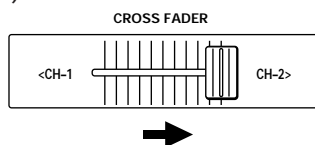
Le lecteur CH1 (A) peut être démarré en déplaçant simplement la commande du curseur de volume croisé de la droite vers la gauche au cours d'une pause et lorsque CH1 (A) se trouve au point de signal.
Semblablement, CH2 (B) peut également être démarré en déplaçant la commande du curseur de volume croisé de la gauche vers la droite au cours d'une pause et lorsque CH2 (B) se trouve au point de signal.
Placé à l'extrémité de droite, CH1 (A) effectue un retour d'entrée (un retour vers le point d'entrée)

USING THE FADER START FUNCTION

Starting the Cross Fader

- 1 Set the cross fader switch to CROSS.
- 2 Turn on the fader start switch (CH-1 or CH-2) of the channel connected to the player to be controlled.
- 3 Move the cross fader fully to the opposite side of the channel to be started. (In the example, the CH-1 player is fading in.)

(Example)



- 4 Set the cue point of the player and set the player to standby at this cue point.
- 5 To start playing, move the cross fader control to the channel to be started at the desired time.

Starting the Channel fader

- 1 Set the cross fader switch to CH.
- 2 Turn on the fader start switch of the channel (CH1 or CH2) connected to the player to be controlled.
- 3 Turn down the channel fader volume fully.
- 4 Set the cue point of the player and set the player to standby at this cue point.
- 5 To start playing, raise the cross fader volume at the desired time.

The cue point may be preset in the CDJ-500II. In this case, there is no need for the player to standby at the cue point. After playing starts, if the fader control is completely returned to the original position, the player will return to the cue point and set into the standby state.

NOTE:

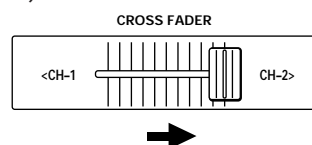
The player may start playing when the cord with mini plug (without resistor) is inserted/disconnected or when the power of the main unit is turned off with the player power on.

UTILISATION DE LA FONCTION DE DEMARRAGE PAR CURSEUR DE VOLUME (Fader Start)

Démarrage par curseur de volume croisé

- 1 Placer la commande de mise en veille croisée sur "CROSS".
- 2 Enclenchez le commutateur du curseur de volume (CH-1 ou CH-2) du canal raccordé au lecteur à commander.
- 3 Déplacer la mise en veille croisée entièrement vers le côté opposé au canal à activer. (Dans l'exemple, le lecteur CH-1 s'active.)

(Exemple)



- 4 Placez le lecteur au point de signal et mettez le lecteur en pause à ce point de signal.
- 5 Pour démarrer la lecture, déplacer la commande de mise en veille croisée vers le canal à activer, au moment du début de la lecture.

Démarrage par curseur de volume de canal

- 1 Placer la commande de mise en veille croisée sur "CH".
- 2 Activer la mise en veille de canal (CH1 ou CH2) connectée à contrôler.
- 3 Réduire au minimum le volume de mise en veille de canal.
- 4 Placez le lecteur au point de signal et mettez le lecteur en pause à ce point de signal.
- 5 Pour démarrer la lecture, augmentez le curseur de volume croisé au moment où le démarrage est désiré.

Le point de signal peut être préenregistré pour les CDJ-500II. Dans ce cas, il n'est pas nécessaire de mettre le lecteur en pause à ce point de signal. Après le démarrage de la lecture, le lecteur retournera à son point de signal et se placera en pause si la commande de volume est ramenée dans sa position initiale.

REMARQUE:

Le lecteur peut démarrer lorsque le cordon mini-fiche (sans résistance) est raccordé/déconnecté, ou lorsque l'unité principale est mise hors tension, alors que le lecteur reste sous tension.

TROUBLESHOOTING

Incorrect operations are often mistaken for trouble and malfunctions. If you think that there is something wrong with this component, check the points below. Sometimes the trouble may lie in another component. Investigate the other components and electrical appliances being used.

If the trouble cannot be rectified even after exercising the checks listed below, ask your nearest PIONEER authorized service center or your dealer to carry out repair work.

Symptom	Cause	Remedy
The power does not turn on.	• The power cord is not connected.	• Connect to the power outlet.
No sound or soft sound.	• The position of the input selector switch is wrong. • The connection cord is not connected properly or disconnected. • The terminal or plug is dirty.	• Select the device currently playing with the input selector switch. • Connect properly. • Clean and connect.
Noises	• The input level is too high.	• Adjust with the trim knob.
No cross fader.	• Set the cross fader switch to CH..	• Set the cross fader switch to CROSS.
The fader of the CD player does not start.	• The fader start switch is off. • The player control terminal at the rear is not connected. • This unit and the CD player are not connected by an audio cord.	• Turn on the fader start switch. • Connect the control terminals of the CD player and the unit with the commercially available cord with mini plug (no resistor). • Connect by an audio cord.

Abnormal functioning of this unit may be caused by static electricity, or other external interference. To restore normal operation, turn the power off and then on again.

Replacement of Cross Fader Volume Control

The unit has a structure which allows its cross fader to be replaced.

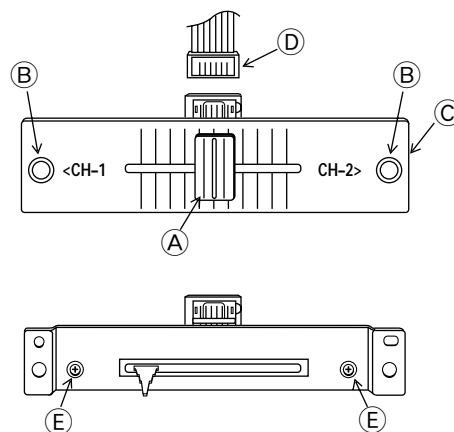
Replace as follows.

- ① Disconnect the power plug of the unit from the outlet.
- ② Pull up the knob (A) of the cross fader and remove.
- ③ Remove the two screws (B) and remove the slider panel (C).
- ④ Remove the cross fader assembly from the unit, and disconnect the connector (D).
- ⑤ Remove the two screws (E) and replace the cross fader volume control with a new one.
- ⑥ Attach the screws (E), connector (D), slider panel (C), screws (B), and knob (A) of the cross fader in the reverse order of the above.

Fully insert the connector (D) into the cross fader assembly. If it is not fully inserted, the unit will not work correctly.

NOTES:

- Do not touch the internal parts of the unit or put your hand inside the unit, as this may cause injuries and damage to the unit.
- Be careful not to drop removed parts and screws inside the unit.



Order the cross fader assembly (T-U76) from your nearest dealer or PIONEER authorized service center.

DEPISTAGE DES PANNES

Des erreurs de manipulation sont souvent prises pour une défaillance ou un mauvais fonctionnement. En présence d'une difficulté apparente vérifier les points suivants. Comme la difficulté peut également provenir d'un autre élément, vérifier ceux-ci ainsi que les autres appareils électriques utilisés en même temps.

Si le problème ne peut pas être résolu, s'adresser au centre de service ou au concessionnaire PIONEER le plus proche.

Symptôme	Cause	Remède
L'alimentation électrique ne s'enclenche pas.	• Le câble d'alimentation n'est pas branché.	• Raccordez à la prise d'alimentation.
Aucun son ou son trop faible.	• La position de l'interrupteur du sélecteur d'entrée est incorrecte. • Le câble de connexion n'est pas raccordé correctement ou est déconnecté. • La prise ou la fiche est sale.	• Sélectionnez l'appareil en cours de lecture à partir du commutateur du sélecteur d'entrée. • Raccordez correctement. • Nettoyez et raccordez.
Parasites.	• Le niveau d'entrée est trop élevé.	• Ajustez avec le bouton de réglage "TRIM".
Le curseur de volume croisé ne fonctionne pas.	• Placer la commande de mise en veille croisée sur "CH.".	• Placer la commande de mise en veille croisée sur "CROSS".
La sélection de volume du lecteur CD ne fonctionne pas.	• Le commutateur de démarrage par curseur de volume est sur OFF. • La fiche de commande du lecteur, à l'arrière, n'est pas raccordée. • Cette unité et le lecteur CD ne sont pas connectés par un cordon audio.	• Enclenchez le commutateur de démarrage par curseur de volume. • Connecter les terminaux de contrôle du lecteur CD et l'unité muni du cordon mini-fiche (sans résistance), disponible dans le commerce. • Connecter à l'aide d'un cordon audio.

L'appareil ne peut fonctionner correctement à cause de l'électricité statique et des effets extérieurs.

Remplacement de la commande du curseur de volume

La structure de cet appareil permet le remplacement de son curseur de volume.

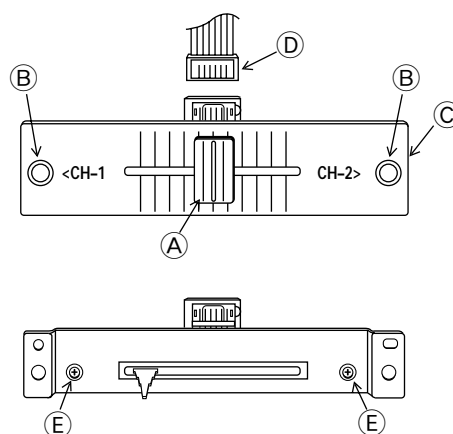
Procédez de la manière suivante :

- ① Débranchez la fiche d'alimentation de l'appareil au niveau de la prise secteur.
- ② Tirez sur le bouton (A) du curseur de volume et retirez-le.
- ③ Retirez les deux vis (B) ainsi que le panneau du curseur (C).
- ④ Détachez de l'appareil l'ensemble du curseur du volume et débranchez le connecteur (D).
- ⑤ Retirez les deux vis (E) et remplacez la commande du curseur de volume par une nouvelle.
- ⑥ Fixez les vis (E), le connecteur (D), le panneau du curseur (C), les vis (B) et le bouton (A) du curseur de volume dans l'ordre inverse du démontage.

Insérez à fond le connecteur (D) dans l'ensemble du curseur de volume. S'il n'est pas correctement inséré, l'appareil ne fonctionnera pas.

REMARQUES:

- Ne touchez pas les composants internes et ne glissez pas la main dans l'appareil, car vous risqueriez de l'endommager et de vous blesser.
- Veillez à ce que les vis et les pièces détachées ne tombent pas dans l'appareil.



Vous pouvez commander un nouveau curseur de volume (T-U76) auprès de votre revendeur le plus proche ou d'un centre de service après-vente PIONEER.

SPECIFICATIONS

Audio Section

Input terminal (Input level/impedance)

CD -14 dBV (200 mV) / 22 k Ω
LINE -14 dBV (200 mV) / 47 k Ω
PHONO -54 dBV (2 mV) / 47 k Ω
MIC -60 dBV (1 mV) / 3 k Ω

Output terminal (Output level/impedance)

MASTER OUT (RCA) 0 dBV (1 V) / 1 k Ω
PHONES -4 dBV (0.63 V) / 150 Ω

Frequency characteristics

CD/LINE 20 Hz to 20 kHz
PHONO 20 Hz to 20 kHz
MIC 20 Hz to 20 kHz

SN ratio

CD/LINE 80 dB
PHONO 75 dB
MIC 67 dB

Total harmonic distortion rate

CD/LINE, PHONO, MIC
..... Below 0.05 % (In 3 Vrms output)

Cross talk 70 dB

Channel equalizer

LOW +12 dB, -26 dB (70 Hz)
MID +12 dB, -26 dB (1 kHz)
HI +12 dB, -26 dB (13 kHz)

Microphone equalizer \pm 12 dB (10 kHz)

Electrical Section, Others

Power supply voltage AC 120 V, 60 Hz
Power consumption 16 W
Operating temperature +5 °C to +35 °C (41°F to 95°F)
Operating humidity 5 % to 85 %
External dimensions 308 (W) \times 220 (D) \times 107.4 (H) mm
(12-1/8 (W) \times 8-11/16 (D) \times 4-1/4 (H) in.)
Weight 3.5 kg (7 lb 12 oz)

Accessories

• Operating instructions 1

NOTE:

Specifications and the design are subject to possible modifications without notice, due to improvements.

FICHE TECHNIQUE

Partie audio

Prise d'entrée (Niveau d'entrée/impédance)

CD	-14 dBV (200 mV) / 22 k Ω
LINE	-14 dBV (200 mV) / 47 k Ω
PHONO	-54 dBV (2 mV) / 47 k Ω
MIC	-60 dBV (1 mV) / 3 k Ω

Prises de sortie (Niveau de sortie/impédance)

MASTER OUT (RCA)	0 dBV (1 V) / 1 k Ω
PHONES	-4 dBV (0.63 V) / 150 Ω

Caractéristiques de fréquence

CD/LINE	20 Hz ~ 20 kHz
PHONO	20 Hz ~ 20 kHz
MIC	20 Hz ~ 20 kHz

Rapport SN

CD/LINE	80 dB
PHONO	75 dB
MIC	67 dB

Degré total de distorsion harmonique

CD/LINE, PHONO, MIC	Inférieur à 0,05% (Sortie 3 Vrms)
------------------------------	-----------------------------------

Cross talk..... 70 dB

Egaliseur de canal

LOW	+12 dB, -26 dB (70 Hz)
MID	+12 dB, -26 dB (1 kHz)
HI	+12 dB, -26 dB (13 kHz)

Egaliseur de microphone..... \pm 12 dB (10 kHz)

Partie électrique, Autres

Tension d'alimentation

..... AC 120 V, 60Hz

Consommation de courant 16 W

Température de fonctionnement +5°C ~ +35°C

Degré d'humidité en fonctionnement 5% ~ 85%

Dimensions extérieures .. 308 (L) \times 220 (P) \times 107,4 (H) mm

Poids 3,5 kg

Accessoires

• Mode d'emploi 1

REMARQUE:

Les spécifications et le design peuvent être modifiés sans autre avis pour y apporter des améliorations.

Should this product require service in the U.S.A. and you wish to locate the nearest Pioneer Authorized Independent Service Company, or if you wish to purchase replacement parts, operating instructions, service manuals, or accessories, please call the number shown below.

8 0 0 - 8 7 2 - 4 1 5 9

Please do not ship your product to Pioneer without first calling the Customer Service Department at the above listed number for assistance.

PIONEER ELECTRONICS SERVICE, INC.
CUSTOMER SUPPORT DIVISION
P.O. BOX 1760, LONG BEACH,
CA 90801-1760, U.S.A.

For warranty information please see the Limited Warranty sheet included with your product.

Should this product require service in Canada, please contact a Pioneer Canadian Authorized Dealer to locate the nearest Pioneer Authorized Service Company in Canada.
Alternatively, please contact the Customer Service Department at the following address:

Pioneer Electronics of Canada, Inc.
300 Allstate Parkway
Markham, ON L3R 0P2
(905) 479-4411

For warranty information please see the Limited Warranty sheet included with your product.

Si ce produit doit être réparé au Canada, veuillez vous adresser à un distributeur autorisée Pioneer au Canada pour obtenir le nom de la Société de Service Autorisée Pioneer le plus près de chez vous. Ou encore, veuillez vous communiquer avec le Service de Clientèle de Pioneer:

Pioneer électroniques du Canada, Inc.
300 Allstate Parkway
Markham, ON L3R 0P2
(905) 479-4411

Pour obtenir des renseignements sur la garantie, veuillez vous reporter au feuillet sur la Garantie Limitée qui accompagne le produit.

Published by Pioneer Electronic Corporation.
Copyright © 1996 Pioneer Electronic Corporation.
All rights reserved.

PIONEER ELECTRONIC CORPORATION 4-1, Meguro 1-Chome, Meguro-ku, Tokyo 153-8654, Japan

PIONEER NEW MEDIA TECHNOLOGIES, INC.

Headquarters: 2265 East 220th Street, Long Beach, California 90810, U.S.A. TEL: (310)952-2111

PIONEER ELECTRONICS OF CANADA, INC.

Toronto Head Office: 300 Allstate Parkway, Markham, Ontario L3R 0P2, Canada TEL: (905)479-4411

Free Manuals Download Website

<http://myh66.com>

<http://usermanuals.us>

<http://www.somanuals.com>

<http://www.4manuals.cc>

<http://www.manual-lib.com>

<http://www.404manual.com>

<http://www.luxmanual.com>

<http://aubethermostatmanual.com>

Golf course search by state

<http://golfingnear.com>

Email search by domain

<http://emailbydomain.com>

Auto manuals search

<http://auto.somanuals.com>

TV manuals search

<http://tv.somanuals.com>